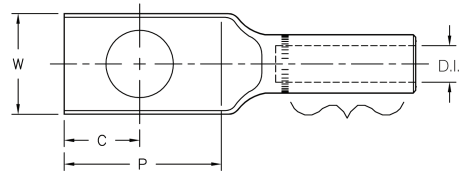


## Aluminum Lugs

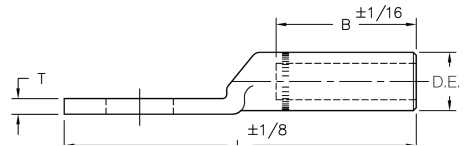
### One-Hole CSA Die Lugs

- Use with aluminum and copper conductors
- Provides high strength and high-conductivity
- Prevents oxidation and keeps out moisture
- Easy identification
- Meet or exceed ANSI C119.4 specifications



Marking Information \_\_\_\_\_  
 Cat. No. \_\_\_\_\_  
 Wire Size \_\_\_\_\_  
 Die Size \_\_\_\_\_

# of crimps and locations to be determined according to connector

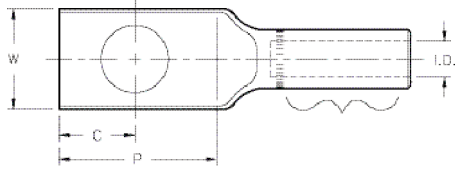


Cat. No.	Wire Size	CSA Die	O.D.	I.D.	Dimensions					
					L	B	P	W	C	T
GLE 2-48	2 str.-Compr-CPT	22	0.635	0.340	3.13	1.37	1.31	0.88	0.63	0.20
GLE 1/0-48	1/0 str.-Compr-CPT		0.640	0.420						0.21
GLE 2/0-48	2/0 str.-Compr-CPT	24	0.840	0.503	3.44	1.37	1.31	1.14	0.63	0.28
GLE 3/0-48	3/0 str.-Compr-CPT			0.547						0.28
GLE 4/0-48	4/0 str.-Compr-CPT	24-6T	1.000	0.597	3.75	1.63	1.31	1.25	0.63	0.36
GLE 250-48	250 str.-Compr-CPT	26		0.620						0.36
GLE 300-48	300 str.-Compr-CPT	26-12T	1.189	0.670	5.00	2.50	1.50	1.75	0.88	0.34
GLE 350-48	350 str.-Compr-CPT	28		0.730						0.34
GLE 500-48	500 str.-Compr-CPT	28-12T	1.187	0.836	5.88	3.00	1.88	1.75	0.88	0.52
GLE 500-48-30	500 str.-Compr-CPT	30-12T		0.880						0.52
GLE 750-48	750 str.-Compr-CPT	30	1.438	1.031	5.88	3.00	1.88	1.75	0.88	0.56

Finish: Tin-plated optional, use suffix "-TN".  
 Material: E.C. Grade Aluminum.  
 Connector bores are coated with HM 53 an oxide inhibiting compound and capped.  
 Mounting holes sized for 1/2 in. bolts (9/16 hole size).  
 Optional suffix "-38" for 3/8 bolts (13/32 hole size).

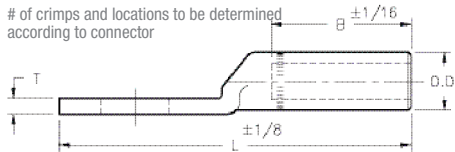
## Aluminum Lugs

### Two-Hole CSA Die Lugs



Marking Information \_\_\_\_\_  
 Cat. No. \_\_\_\_\_  
 Wire Size \_\_\_\_\_  
 Die Size \_\_\_\_\_

# of crimps and locations to be determined according to connector



- Use with aluminum and copper conductors
- Provides high strength and high-conductivity
- Prevents oxidation and keeps out moisture
- Easy identification
- Meet or exceed ANSI C119.4 specifications

Cat. No.	Wire Size	CSA Die	O.D.	I.D.	Dimensions				
					L	B	P	W	T
GLE 2 N	2 str.—Compr—CPT	22	0.635	0.350	5.29	1.50	3.13	0.88	0.20
GLE 1/0 N	1/0 str.—Compr—CPT		0.640	0.420	5.25	1.50	3.13	0.87	0.21
GLE 2/0 N	2/0 str.—Compr—CPT	24	0.840	0.503	5.29	1.50	3.13	1.04	0.28
GLE 3/0 N	3/0 str.—Compr—CPT			0.547	5.38	1.50	3.13	1.14	0.28
GLE 4/0 N	4/0 str.—Compr—CPT	24-6T		0.594	5.38	1.50	3.13	1.14	0.28
GLE 250 N	250 str.—Compr—CPT	26	1.000	0.620	6.00	2.00	3.13	1.25	0.36
GLE 300 N	300 str.—Compr—CPT	26-12T		0.670	6.00	2.00	3.13	1.25	0.36
GLE 350 N	350 str.—Compr—CPT	28	1.189	0.730	6.00	2.00	3.13	1.25	0.37
GLE 500 N	500 str.—Compr—CPT	28-12T	1.187	0.836	6.38	2.25	3.13	1.25	0.37
GLE 500 N-30	500 str.—Compr—CPT	30	1.438	0.880	6.38	2.50	3.13	1.75	0.40
GLE 750 N	750 str.—Compr—CPT			1.031	7.50	3.00	3.13	1.75	0.40

Finish: Tin-plated optional, use suffix "-TN".

Material: E.C. Grade Aluminum.

Connector bores are coated with HM 53 a oxide inhibiting compound and capped.

Mounting holes sized for 1/2 in. bolts (9/16 hole size).

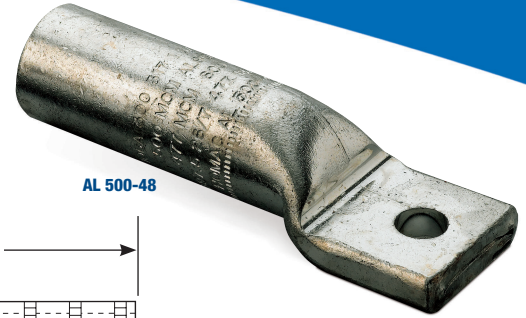
Optional suffix "-38" for 3/8 bolts (13/32 hole size).

## Aluminum Lugs

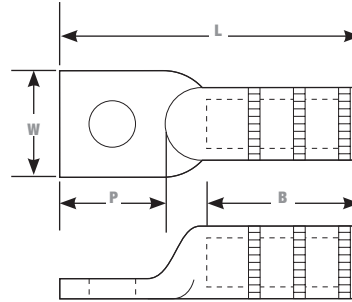
### One-Hole NEMA Die Lugs

#### General-purpose lugs for aluminum and copper terminations

- Use with aluminum and copper conductors
- Provides high strength and high-conductivity
- Prevents oxidation and keeps out moisture
- Easy identification
- Meet or exceed ANSI C119.4 specifications



AL 500-48



Cat. No.	Conductor Range				Bolt Size	Installing Dies	Dimensions						
	Concentric	Compressed	Compact	ACSR			B	L	P	W			
AL 6-14	#6	-	-	-	1/4	TP, 29, 161, 5/16	3/4	2-5/32	7/8	9/16			
AL 4-516	#4				5/16	TB, 37, 375, 162	15/16	2-1/4	31/32	5/8			
AL 4-14					1/4	15/16	2-1/4	31/32	5/8				
AL 2-14	#2				1/4	TQ, 45, 348, 163, 1/2, 6A	59/64	2-5/8	1-1/32	3/4			
AL 2-38					3/8		59/64	2-5/8	1-1/32	3/4			
AL 1-38	#1				3/8	TU, 52, BG, 243, 5/8	59/64	2-5/8	1-1/32	3/4			
AL 1/0-38	1/0				3/8		1-3/8	3-1/8	1-5/16	7/8			
AL 1/0-48					1/2	1-3/8	3-1/8	1-5/16	7/8				
AL 2/0-38	2/0				3/8	TW-TY, 58, 297, 5/8 -1	1-5/16	3-3/16	1-7/32	15/16			
AL 2/0-48					1/2		1-5/16	3-3/16	1-7/32	15/16			
AL 3/0-38	3/0				3/8	737, 467	1-9/16	3-7/16	1-5/16	1-1/16			
AL 3/0-48					1/2		1-9/16	3-7/16	1-5/16	1-1/16			
AL 4/0-38	4/0				3/8	TX, 71H, 298, 840, 11A	1-7/16	3-9/16	1-11/32	1-3/16			
AL 4/0-48					1/2		1-7/16	3-9/16	1-11/32	1-3/16			
AL 250-48	250, 4/0				-	4/0	1/2	TX, 76, 249, 840, 11A	1-9/16	3-5/8	1-5/16	1-15/64	
AL 300-48	300, 266.8					350	266.8 (18/1)	1/2	TH, 87H, 251, 470, 1, 12A	2-3/16	4	1-5/16	1-3/8
AL 350-48	350, 336.4					400	266.8 (26/7), 336.4 (18/1)	1/2	96, 299, 655, 1-1/8-1, 13A	2-3/16	4-1/4	1-5/16	1-1/2
AL 400-48	400, 397.5					-	336.4 (26/7), 397.5 (18/1)	1/2		2-1/2	4-7/8	1-1/4	1-5/8
AL 400-58						5/8	2-1/2	4-7/8	1-1/4	1-5/8			
AL 500-48	500, 477					600	379.5 (26/7), 477 (18/1)	1/2	106A, 300, 317, 1-5/16, 14A	3	5-7/16	1-1/2	1-3/4
AL 500-58		5/8	3	5-7/16				1-1/2		1-3/4			
AL 600-48	600, 550	-	477 (26/7), 556.5 (18/1)	1/2		1-5/16, 115H, 786, 936, 473	3	5-21/32	1-9/16	1-15/16			
AL 600-58				5/8			3	5-21/32	1-9/16	1-15/16			
AL 750-48	750, 700	-	636 (26/7)	1/2		140H, 301, 342, 1-1/2	3-3/8	6-3/8	1-7/8	1-3/4			
AL 750-58				5/8			3-3/8	6-3/8	1-7/8	1-3/4			
AL 800-48	800	-	-	1/2		1-1/2, 474, 140H	3-9/16	6-5/8	2-1/32	1-3/4			
AL 800-58				5/8			3-9/16	6-5/8	2-1/32	1-3/16			
AL 1000-48	1000, 954	-	795 (26/7), 954 (45/7)	1/2		161, 292, 302, 319, 1-3/4	4-5/8	7-15/16	1-7/8	2-7/16			
AL 1000-58				5/8			4-5/8	7-15/16	1-7/8	2-7/16			

For tin-plated, add "-TN" suffix to the catalogue number. All tin-plated lugs are UL Listed through 1000 kcmil. For straight lugs with tapered ends used in high-voltage applications, please consult your Thomas & Betts representative.

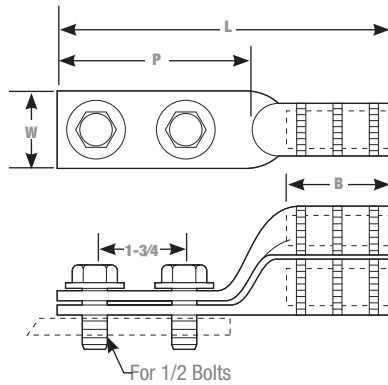


## Aluminum Lugs

### Two-Hole NEMA Lugs

General-purpose lugs for aluminum and copper terminations

- Use with aluminum and copper conductors
- Provides high strength and high-conductivity
- Prevents oxidation and keeps out moisture
- Easy identification
- Meet or exceed ANSI C119.4 specifications



Straight Lug Cat. No.	Stacking Lug Cat. No.	Conductor Range					Installing Dies	Dimensions			
		Concentric	Compr.	Compact	ACSR	Solid		B	L	P	W
SA 6 N	ASL 6 N	#6	#6	#6, #4	#6	4	TU, 52, BG, 243, 5/8, CSA 22	1-15/32	5-1/4	3-3/16	7/8
SA 4 N	ASL 4 N	#4	#4	-	#4	2		1-15/32	5-1/4	3-3/16	7/8
SA 2 N	ASL 2 N	#2-#1	#1	#1	#2	1/0		1-1/2	5-3/16	3-1/4	1
AL 1/0 N	ASL 1/0 N	1/0		2/0	1/0	2/0	TU, 52, BG, 243, 5/8	1-1/2	5-1/4	3-3/16	7/8
AL 2/0 N	ASL 2/0 N	2/0					TW-TY, 58, 297, 5/8-1	1-1/2	5-1/4	3-3/16	15/16
AL 3/0 N	ASL 3/0 N	3/0					TV, 66, 167, 467, 10A	1-7/16	5-1/2	3-1/4	1-1/16
AL 4/0 N	ASL 4/0 N	4/0					TX, 71H, 298, 840, 11A	1-15/16	6	3-11/32	1-15/64
AL 250 N	ASL 250 N	250, 4/0		250-300	4/0 (6/1)		TX, 76, 249, 840, 11A	1-15/16	6	3-11/32	1-15/64
AL 300 N	ASL 300 N	300, 266.8		350	266.8 (18/1)		TH, 87H, 251, 470, 1, 12A	2-3/16	6-9/16	3-9/16	1-11/32
AL 350 N	ASL 350 N	350, 336.4			266.8 (26/7), 336.4 (18/1)		96, 299, 655, 1-1/8-1, 705, 13A	2-3/16	6-9/16	3-11/16	1-3/4
AL 336 NSC	-	397.5-400					1-1/4, 99H, 317, 20AH	4-3/16	9	3-11/16	1-21/32
AL 400 N	ASL 400 N	400, 397.5			336.4 (26/7), 397.5 (18/1)		96, 472, 655, 1-1/8-1, 1-1/8-2, 705, 316, 13A	2-7/16	7-5/16	3-9/16	1-3/4
AL 500 N	ASL 500 N	500, 477		500-600	397.5 (26/7), 477 (18/1)		106A, 300, 317, 1-5/16, 14A, 15A	2-15/16	8-1/4	3-9/16	1-3/4
AL 500 N 608	-			600			608	3-1/3	8-1/4	3-9/16	1-3/4
AL 600 N	ASL 600 N	600, 550	-		477 (26/7), 556.5 (18/1)		1-5/16, 115H, 786, 936, 473	2-15/16	7-3/4	3-5/8	1-3/4*
AL 700 N 608	-	700, 600		700-795			125H, 608	3-1/6	7-3/8	3-1/2	1-3/4
AL 750 N	ASL 750 N	750, 700			636 (26/7)		140H, 301, 342, 1-1/2	3-5/16	8-1/4	3-3/4	1-3/4*
AL 750 N 608	ASL 750 N 608						125H, 608	3-3/8	8-1/4	3-5/8	1-3/4
AL 800 N	ASL 800 N	800, 795			663 (30/19), 715.5 (54/7)		140H, 474, 342, 724, 1-1/2	3-11/32	8-5/16	3-5/8	1-3/4*
AL 800 N 608	-	800, 700			636 (30/19), 715.5 (54/7)		608	3-1/3	8-1/4	3-5/8	1-3/4
AL 1000 N	ASL 1000 N	1000, 954			795 (26/7, 30/19), 954 (45/7)			4-11/16	8-9/16	3-5/8	2-7/16
AL 1000 SSN	ASL 1000 SSN						161, 292, 302, 319, 1-3/4	4-11/16	9-7/8	1-7/8	2-7/16
AL 1000 NMSNP	-	1000						4-11/16	9-1/2	3-5/8	1-3/4
AL 954 NMSNP	-				954 (54/7)			4-11/16	9-3/8	3-5/8	1-3/4
AL 1250 N	ASL 1250 N	1200-1300			1113 (45/7), 1192.5 (45/7)		161, 727, 352	4-11/16	9-11/16	3-5/8	2-21/32
AL 1750 N	ASL 1750 N	1750					214, 735, 225	5-1/2	10-7/8	3-7/8	3-13/32
AL 2000 N	ASL 2000 N	2000					479	6-1/16	11-15/16	3-7/8	3-13/32

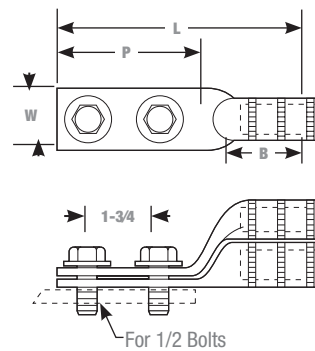
For tin-plated, add "-TN" suffix to the catalogue number. All tin-plated lugs are UL Listed through 2000 kcmil.  
For straight lugs with tapered ends used in high-voltage applications, please consult your Thomas & Betts representative.  
Trimmed to 1-3/4 maximum to fit side by side on NEMA spades.

## Aluminum Lugs

### Tin-Plated Two-Hole NEMA Lugs

#### General-purpose lugs for aluminum and copper terminations

- Use with aluminum and copper conductors
- Provides high strength and high-conductivity
- Prevents oxidation and keeps out moisture
- Easy identification
- Meet or exceed ANSI C119.4 specifications



Straight Lug Cat. No.	Stacking Lug Cat. No.	Conductor Range					Installing Dies	Dimensions				
		Concentric	Compr.	Compact	ACSR	Solid		B	L	P	W	
SA 6 NTN	ASL 6 NTN	#6	#6	#6, #4	#6	#4	TU, 52, BG, 243, 5/8, CSA 22	1-15/32	5-1/4	3-3/16	7/8	
SA 4 NTN	ASL 4 NTN	#4	#4	—	#4	#2		1-15/32	5-1/4	3-3/16	7/8	
SA 2 NTN	ASL 2 NTN	#2-#1	#1	#1	#2	1/0		1-1/2	5-3/16	3-1/4	1	
AL 1/0 NTN*	ASL 1/0 NTN*	1/0	—	2/0	1/0	2/0	TU, 52, BG, 243, 5/8	1-1/2	5-1/4	3-3/16	7/8	
AL 2/0 NTN*	ASL 2/0 NTN*	2/0		—	—	—	—	TW-TY, 58, 297, 5/8-1	1-1/2	5-1/4	3-3/16	15/16
AL 3/0 NTN*	ASL 3/0 NTN*	3/0		—	—	—	—	TV, 66, 167, 467, 10A	1-7/16	5-1/2	3-1/4	1-1/16
AL 4/0 NTN*	ASL 4/0 NTN*	4/0		—	—	—	—	TX, 71H, 298, 840, 11A	1-15/16	6	3-11/32	1-15/64
AL 250 NTN*	ASL 250 NTN*	250, 4/0		—	250-300	4/0 (6/1)	—	TX, 76, 249, 840, 11A	1-15/16	6	3-11/32	1-15/64
AL 300 NTN*	ASL 300 NTN*	300, 266.8		—	350	266.8 (18/1)	—	TH, 87H, 251, 470, 1, 12A	2-3/16	6-9/16	3-9/16	1-11/32
AL 350 NTN*	ASL 350 NTN*	350, 336.4		—	—	266.8 (26/7), 336.4 (18/1)	—	96, 299, 655, 1-1/8-1, 705, 13A	2-3/16	6-9/16	3-11/16	1-3/4
AL 336 NSCTN	—	397.5-400		—	—	336.4 (26/7), 397.5 (18/1)	—	1-1/4, 99H, 317, 20AH	4-3/16	9	3-11/16	1-21/32
AL 400 NTN*	ASL 400 NTN*	400, 397.5		—	—	336.4 (26/7), 397.5 (18/1)	—	96, 472, 655, 1-1/8-1, 1-1/8-2, 705, 316, 13A	2-7/16	7-5/16	3-9/16	1-3/4
AL 500 NTN*	ASL 500 NTN*	500, 477		—	500-600	397.5 (26/7), 477 (18/1)	—	106A, 300, 317, 1-5/16, 14A, 15A	2-15/16	8-1/4	3-9/16	1-3/4
AL 500 N 608 TN	—	—		—	600	—	—	608	3-1/3	8-1/4	3-9/16	1-3/4
AL 600 NTN*	ASL 600 NTN*	600, 550		—	—	477 (26/7), 556.5 (18/1)	—	1-5/16, 115H, 786, 936, 473	2-15/16	7-3/4	3-5/8	1-3/4*
AL 700 N 608TN	—	700, 600		—	700-795	—	—	125H, 608	3-1/6	7-3/8	3-1/2	1-3/4
AL 750 NTN*	ASL 750 NTN*	750, 700		—	—	636 (26/7)	—	140H, 301, 342, 1-1/2	3-5/16	8-1/4	3-3/4	1-3/4*
AL 750 N 608*	ASL 750 N 608*	750, 700		—	—	663 (30/19), 715.5 (54/7)	—	125H, 608	3-3/8	8-1/4	3-5/8	1-3/4
AL 800 NTN*	ASL 800 NTN*	800, 795		—	—	636 (30/19), 715.5 (54/7)	—	140H, 474, 342, 724, 1-1/2	3-11/32	8-5/16	3-5/8	1-3/4*
AL 800 N 608 TN	—	800, 700		—	—	954 (54/7)	—	608	3-1/3	8-1/4	3-5/8	1-3/4
AL 954 NMS	—	—		—	—	795 (26/7, 30/19), 954 (45/7)	—	—	4-11/16	9-3/8	1-7/8	1-3/4
AL 1000 NTN*	ASL 1000 NTN*	1000, 954		—	—	—	—	161, 292, 302, 319, 1-3/4	4-9/16	8-9/16	3-5/8	2-7/16
AL 1000 SSNTN	ASL 1000 SSNTN	1000	—	—	—	—	—	4-9/16	9-7/8	3-5/8	2-7/16	
AL 1000 NMS	—	—	—	—	—	—	—	4-11/16	9-1/2	3-5/8	1-3/4	
AL 1250 NTN	ASL 1250 NTN	1200-1300	—	—	1113 (45/7), 1192.5 (45/7)	—	161, 727, 352	4-11/16	9-11/16	3-5/8	2-21/32	
AL 1750 NTN	ASL 1750 NTN	1750	—	—	—	—	214, 735, 225	5-1/2	10-7/8	3-7/8	3-13/32	
AL 2000 NTN	ASL 2000 NTN	2000	—	—	—	—	479	6-1/16	11-15/16	3-7/8	3-13/32	

\* UL Listed.

For two-hole lugs without tin-plated, see page C28. For straight lugs with tapered ends used in high-voltage applications, please consult your Thomas & Betts representative.

## Aluminum Lugs

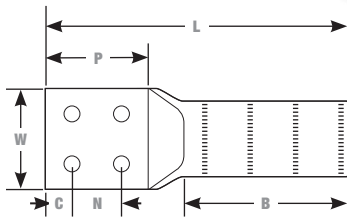
### Four-Hole NEMA Lugs

#### General-purpose lugs for aluminum and copper terminations

- Use with aluminum and copper conductors
- Provides high strength and high-conductivity
- Prevents oxidation and keeps out moisture
- Easy identification



AL 1000-4N



Cat. No.	Conductor Range		Installing Dies	Dimensions					
	Concentric	ACSR		B	N	C	W	P	L
AL 1000-4N	1000	—	161, 302, 292, 319, 1-3/4	4-9/16	1-3/4	5/8	3	4	10
AL 14136 X	1033.5-1300	900-1113	161, 727, 352	7-11/16		5/8	3	4-1/4	13-3/4
AL 1033-4N	—	1033.5 (54/7)	34 AH	6-3/16		5/8	3-3/8	3-11/16	12-3/4
AL 1250-4N	1250	—	161, 727, 352	4-5/8		5/8	3	3-9/16	10
AL 1272-4N	1272	—	161, 727, 352, 579	6-7/16		5/8	3	3-5/8	11-1/4
AL 1590-4N	1590	1272 (45/7)	728, 38AH, 189	8-7/16		5/8	3	3-5/8	13-1/2
AL 1750-4N	1750	—	214, 735, 40AH, 225	6-11/16		7/8	3-1/2	3-3/4	12-1/8
AL 2000-4N	1700-2000	1510.5-1590		6-11/16		7/8	3-1/2	3-3/4	12-1/8
AL 2300-4N	2250-2300	2167 (72/7)	44AH	11-3/4		1-1/8	4	4-1/2	18-1/2
AL 2500-4N	2500	2156-2167	214	9-1/8		1-1/8	3-1/2	4	15-3/8

For tin-plated option, add "-TN" suffix to the catalogue number.

## Aluminum Lugs

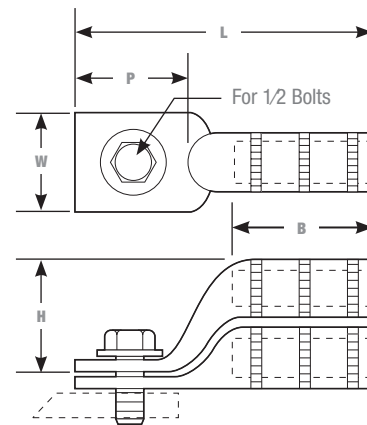
### One-Hole NEMA Lugs — Common Die Series

Designed for general applications and for installation on Homac® 125 Series insulated buses

- Lessens your die inventory
- Double terminal capacity of transformer spades and buses to save money
- Use with aluminum and copper conductors
- Provides high strength and high-conductivity
- Easy identification
- Meet or exceed ANSI C119.4 specifications



SA 3/0-48

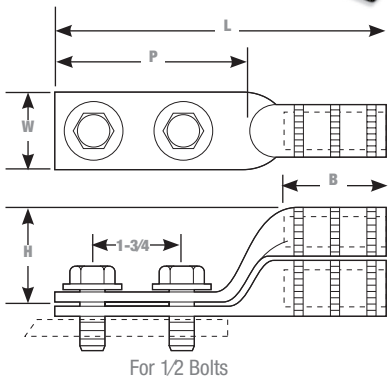


Straight Lug Cat. No.	Stacking Lug Cat. No.	Conductor – Al or Cu					Installing Dies	Dimensions								
		Concentric	Compressed	Compact	Solid	ACSR		B	H	L	P	W				
SA 12-48	-	#12	-	-	#12	-	TU, 52, BG, 243, 5/8, CSA 22	23/32	-	2-9/16	1-1/4	7/8				
SA 10-48								23/32		2-9/16	1-1/4	7/8				
SA 8-48								#8		#6	#6	#6	1-5/16	3-1/8	1-5/16	7/8
SA 6-48								#6			#4	#4	1-5/16	3-1/8	1-5/16	7/8
SA 4-48								#4			#2	#4	1-5/16	3-1/8	1-5/16	7/8
SA 3-48								#2			#2	#1, #2	#1	1-5/16	3-1/8	1-5/16
SA 2-48	SASL 2-48	#1, #2	#1	#1	1/0	#2	1-5/16	1-1/2	3-1/8	1-5/16	7/8					
SA 386-48	-	#1	1/0	1/0	-	-	1-5/16	-	3-1/8	1-5/16	7/8					
SA 1/0-48	SASL 1/0-48	1/0	2/0	2/0	-	1/0	1-5/16	1-1/2	3-1/8	1-5/16	7/8					
SA 2/0-48	SASL 2/0-48	2/0	3/0	3/0	3/0	2/0 (6/1)	TX, 76, 249, 840, 845, 11A, CSA 24	1-25/64	1-3/4	3-21/64	1-11/32	1-5/32				
SA 3/0-48	SASL 3/0-48	3/0	4/0	4/0	-	3/0		1-25/64	1-3/4	3-21/64	1-11/32	1-5/32				
SA 4/0-48	SASL 4/0-48	4/0, 250	4/0, 250	250, 300	-	4/0		1-25/64	1-3/16	3-21/64	1-11/32	1-5/32				
SA 300-48	-	300	300	350	-	266.8 (18/1)	1-19/32	-	3-5/8	1-11/32	1-1/4					
SA 350-48	-	336.4-350	350	400	-	266.8 (26/7), 336.4 (18/1)	1-19/32	-	3-5/8	1-11/32	1-1/4					
SA 400-48	-	336.4-400	400	500	-	336.4 (18/1), 397.5 (18/1)	1-19/32	-	3-5/8	1-11/32	1-1/4					

For tin-plated option, add "-TN" suffix to the catalogue number.

To order a stud size not specified with a terminal lug on this page, change the last two digits from "48" (designating a 1/2 in. stud) to "38" (for a 3/8 in. stud).





## Aluminum Lugs

### Two-Hole NEMA Lugs — Common Die Series

Designed for general applications and for installation on Homac® 125-N Series insulated buses

- Lessens your die inventory
- Double terminal capacity of transformer spades and buses to save money
- Use with aluminum and copper conductors
- Provides high strength and high-conductivity
- Prevents oxidation and keeps out moisture
- Easy identification
- Meet or exceed ANSI C119.4 specifications

Straight Lug Cat. No.	Stacking Lug Cat. No.	Conductor – Al or Cu					Installing Dies	Dimensions				
		Concentric	Compressed	Compact	Solid	ACSR		B	H	L	P	W
SA 8 N	–	#8	–	–	#6	–	TU, 52, BG, 243, 5/8, CSA 22	1-15/16	–	5-1/8	3-3/16	7/8
SA 6 N	SASL 6 N	#6	#6	#4	#4	#6		1-15/16	1-1/2	5-1/8	3-3/16	7/8
SA 4 N	–	#4	#4	#4	#2	#4		1-15/16	–	5-1/8	3-3/16	7/8
SA 3 N	–	#2	#2	#1, #2	#1	–		1-15/16	–	5-1/8	3-3/16	7/8
SA 2 N	–	#1, #2	#1	#1	1/0	#2		1-1/2	–	5-3/16	3-1/8	1
SA 386N	–	#1, 1/0	#1, 1/0	1/0	–	#1		1-27/32	–	5-1/2	3	7/8
AL 1/0 N	SASL 1/0 N	1/0	1/0	2/0	2/0	1/0	TX, 76, 249, 840, 845, 11A, CSA 24	1-1/2	1-1/2	5-1/4	3-3/16	7/8
SA 2/0 N	SASL 2/0 N	2/0	2/0	3/0	3/0	2/0 (6/1)		1-15/16	1-3/4	6	3-3/8	1-1/4
SA 3/0 N	SASL 3/0 N	3/0	4/0	4/0	–	3/0		1-15/16	1-3/4	6	3-5/16	1-5/32
SA 4/0 N	SASL 4/0 N	4/0, 250	4/0, 250	250, 300	–	4/0	96, 299, 655, 705, 321, 316, 13A, 1 (1/8-1), 472, CSA 28	1-15/16	1-3/16	6	3-5/16	1-7/32
SA 300 N	–	300	300	350	–	266.8 (18/1)		2-1/16	–	6-1/4	3	1-1/4
SA 350 N	–	336.4-350	350	400	–	266.8 (26/7), 336.4 (18/1)	2-3/16	–	6-1/4	3	1-1/4	
SA 400 N	–	336.4-400	400	500	–	336.4 (18/1), 397.5 (18/1)		2-7/16	–	6-3/8	3	1-1/4

For tin-plated option, add “-TN” suffix to the catalogue number.



## Aluminum Lugs

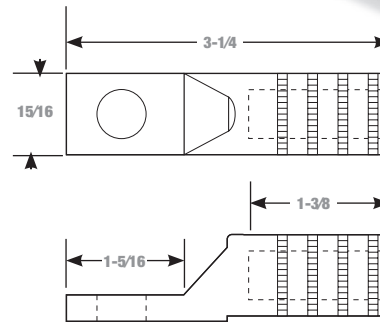
### Meter Socket Lugs — 840 Common Die Series

Just one die installs the entire conductor range for meter pan and general applications

- Really lessens your die inventory
- Provides high strength and high-conductivity
- Use with aluminum and copper conductors
- Prevents oxidation
- Easy identification
- Lugs meet or exceed ANSI C119.4 specifications



SAKM 250-48

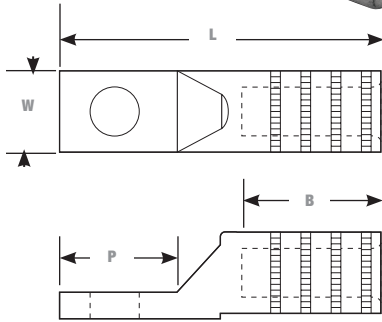


1/2 Bolt Cat. No.	3/8 Bolt Cat. No.	Conductors – Al or Cu				Installing Dies
		Concentric	Compressed	Compact	Solid	
SAKM 6-48	SAKM 6-38	#6	#6	#6	–	840, 845, TX, 76, 249, 11A
SAKM 4-48	SAKM 4-38	#4	#4	#4	–	
SAKM 2-48	SAKM 2-38	#2	#2	#2, #1	#1	
SAKM1-48	SAKM 1-38	#1	#1	1/0	1/0	
SAKM 1/0-48	SAKM 1/0-38	1/0	1/0	2/0	2/0	
SAKM 2/0-48	SAKM 2/0-38	2/0	2/0	3/0	3/0	
SAKM 3/0-48	SAKM 3/0-38	3/0	3/0	4/0	–	
SAKM 4/0-48	SAKM 4/0-38	4/0	4/0	250	–	
SAKM 250-48*	SAKM 250-38*	250	250	300	–	
SAKM 300-48*	SAKM 300-38*	300	300	350	–	
SAKM 350-48*	SAKM 350-38*	350	350	–	–	

\* For aluminum conductors only.  
For tin-plated option, add "-TN" suffix to the catalogue number.



MSL 350



## Aluminum Lugs

### Tin-Plated Meter Socket Lugs — Star Hole

#### Dual-rated, corrosion-resistant lugs available with star holes

- Provides high strength and high-conductivity
- Use with aluminum and copper conductors
- Resistant to corrosion
- Prevents oxidation and keeps out moisture

Cat. No.	Conductor Size	Installing Dies	Dimensions			
			W	L	P	B
MSL 4	#4 str. cpt.	840, 845, TX, 76, 249, 11A	15/16	3-1/4	1-5/16	1-3/8
MSL 2	#2 str. cpt.					
MSL 1/0	1/0 str. cpt.					
MSL 2/0	2/0 str. cpt.					
MSL 3/0	3/0 str. cpt.					
MSL 4/0	4/0 str. cpt.					
MSL 250	250 str. cpt.					
MSL 300	300 str. cpt.					
MSL 350	350 str. cpt.					
MSL 500	500 str.	106A, 300, 317, 1-5/16, 15A	1-3/4	4-7/8	1-3/4	3-3/16

## Aluminum Lugs

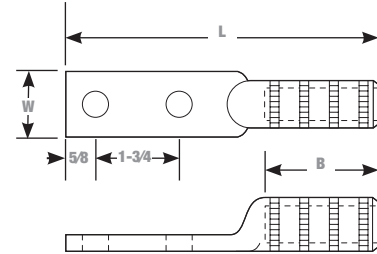
### Two-Hole NEMA Lugs — Common Die Series

Lugs designed for general-purpose substation and switchyard equipment use

- Lessens your die inventory
- Use with aluminum and copper conductors
- Provides high strength and high-conductivity
- Prevents oxidation and keeps out moisture
- Easy identification



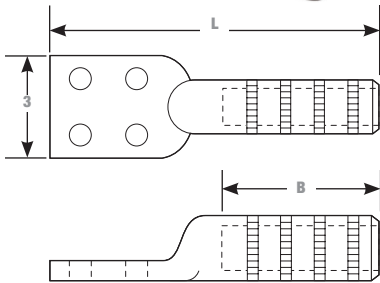
SAB 500 N



Cat. No.	Conductor Range				Installing Dies	Dimensions			
	Concentric	Compressed	Compact	ACSR		L	W	B	
SAK 4 N	#4	—	—	—	TX, 76, 249, 840, 11A	5-3/4	1-1/4	2	
SAK 2 N	#1, #2	—	—	#2		5-3/4	1-1/4	2	
SAK 1/0 N	1/0	2/0	2/0	1/0		5-3/4	1-1/4	2	
SAK 300 N	—	—	350	—	96, 299, 655, 1 (1/8-1), 13A	6-1/4	1-1/4	2-1/16	
SAK 350 N	350			—		6-1/4	1-1/4	2-1/16	
SAB 3/0 N	3/0			—		3/0	6-3/8	1-1/2	2-1/4
SAB 4/0 N	4/0, 250			—		4/0	6-3/8	1-1/2	2-1/4
SAB 250 N	266.8-300	—	600	266.8 (18/1)	106, 300, 317, 1-5/16, 14A, 15A	6-3/8	1-1/2	2-1/4	
SAB 500 N	477-500			397.5 (26/7, 30/7), 477 (18/1)		6-3/8	1-1/4	2-1/4	
SAM 400 N	397.5-400			500		336.4 (30/7), 397.5 (18/1)	8-29/64	1-3/4	3-13/16
SAM 556 N	500-556	—	600	477 (26/7), 556.5 (18/1)		8-3/8	1-3/4	3-27/32	
SAM 600 N	600			—		—	8-3/8	1-3/4	3-27/32



MSL 350



## Aluminum Lugs

### Four-Hole NEMA Lugs — Common Die Series

**Durable four-hole lugs for general-purpose substation and switchyard equipment use**

- Lessens your die inventory
- Use with aluminum and copper conductors
- Provides high strength and high-conductivity
- Prevents oxidation and keeps out moisture
- Easy identification

Cat. No.	Conductor Range			Installing Dies	Dimensions	
	Concentric	Compact	ACSR		L	B
SAM 3/0-4N*	3/0	-	-	1-5/16, 300, 14A, 106, 317	8-1/8	3-5/16
SAM 4/0-4N*	4/0		4/0			
SAM 250-4N*	250		-			
SAM 300-4N*	300		-			
SAM 350-4N*	336.4-350		266.8 (26/7), 336.4 (18/1)			
SAM 400-4N*	397.5-400		336.4 (30/7), 397.5 (18/1)			
SAM 500-4N*	500		-	140H, 301, 342, 1-1/2	8-1/4	3-5/16
SAM 600-4N*	556.5-600		-			
SAL 500-4N*	500		477 (18/1)			
SAL 600-4N	600		477 (24/7, 30/7)			
SAL 650-4N	600, 636, 650		556.5 (24/7, 26/7)			
SAL 750-4N	700-750		636 (26/7)			
SAL 800-4N	700-800		954		8-3/4	4-7/32
SAL 1000-4N	1000		795 (30/19), 874 (54/7)			
SAL 1033-4N	1033	900 (54/7), 954 (45/7)				

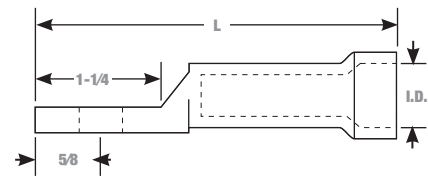
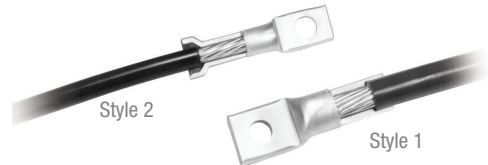
\* Designates 2-piece welded design.

## Aluminum Lugs

### Shrouded One-Hole Lugs — Common Die Series

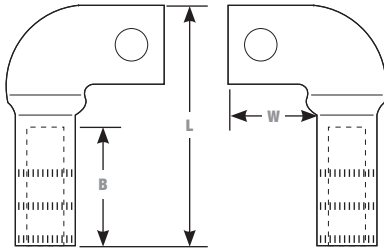
If you need rain protection, these lugs have you covered

- Prevents rainwater from entering cable
- Lessens your die inventory
- Provides high strength and high-conductivity
- Use with aluminum and copper conductors
- Prevents oxidation
- Enable easy identification
- Meet or exceed ANSI C119.4 specifications



Cat. No.	Conductor Sizes		Shroud I.D.	Comp. Die Size	L	Style
	Concentric	Compact				
<b>5/8 Compression Die Series</b>						
RSK 6-48	#6	—	0.400	5/8, 8A, 243, TU, 52, BG	3-3/8	2
RSK 4-48	#4	#4	0.450		3-3/8	2
RSK 2-48	#2, #1	#1	0.635		3-5/8	1
RSK 1/0-48	1/0	2/0	0.640		3-5/8	1
<b>840 Compression Die Series</b>						
RSK 1/0-48	1/0	2/0	0.640	840, 11A, 249, 76, TX	3-3/4	2
RSK 2/0-48	2/0	3/0	0.750		3-3/4	2
RSK 3/0-48	3/0	4/0	0.750		3-3/4	2
RSK 4/0-48	4/0	4/0	0.750		3-3/4	2
RSK 250-48	4/0-250	350	0.812		3-3/4	2
RSK 350-48	350	—	0.927		4-7/16	1
<b>1-1/8 Compression Die Series</b>						
RSB 300-48	300	300	0.927	1 (1/8-1), 12A, 96, 299, 655	4-1/2	2
RSB 350-48	350	300	0.927		4-1/2	2

For tin-plated option, add “-TN” suffix to the catalogue number.  
 To order a terminal lug for a 3/8 in. stud, change a catalogue number’s “-48” suffix (designating a 1/2 in. stud) to a “-38” suffix.  
 To order with hardware as kits, add “-TMH” suffix to the catalogue number.



## Aluminum Lugs

### Tin-Plated One-Hole Lugs

For application in meter pans and in other metal-enclosed gear to convenience wiring where clearances are minimal

- Assures high strength and high-conductivity
- Provides resistance against corrosion
- Use with aluminum and copper conductors
- Prevents oxidation
- Easy identification
- Meet or exceed ANSI C119.4 specifications

Left-Hand Lug Cat. No.	Right-Hand Lug Cat. No.	Conductor Sizes			Installing Dies	Dimensions		
		Concentric	Compressed	Compact		B	L	W
AL 1/0-48 LTN	AL 1/0-48 RTN	1/0	1/0	2/0	5/8, BG, TU	1-3/8	2-11/16	1-3/8
AL 2/0-48 LTN	AL 2/0-48 RTN	2/0	2/0	-	1-5/8, 297, TW-TY	1-3/8	2-11/16	1-3/8
AL 3/0-48 LTN	AL 3/0-48 RTN	3/0	3/0		737, 467	1-3/8	3-3/4	1-3/8
AL 4/0-48 LTN	AL 4/0-48 RTN	4/0	4/0		840, 298, TX	1-1/2	4	1-3/4
AL 250-48 LTN	AL 250-48 RTN	250	250	300	840, 324, TX	1-5/8	4-1/8	1-3/4
AL 300-48 LTN	AL 300-48 RTN	300	300	350	1, 470, TH	1-5/8	4-3/8	1-1/2
AL 350-48 LTN	AL 350-48 RTN	350	350	350	1 (1/8-1), 299, 96	1-5/8	4-3/8	1-1/2
AL 400-48 LTN	AL 400-48 RTN	400	400	400	1-1/8, 472, 96	2-1/2	5-3/4	1-1/2
AL 500-48 LTN	AL 500-48 RTN	500	500	500	1-5/16, 300, 106A	2-1/2	5-3/4	1-1/2
AL 750-48 LTN	AL 750-48 RTN	700-750	800	800	1-1/2, 301, 140H	3-1/4	6-3/8	3-1/2

For NEMA-drilled lugs, substitute a "-NLTN" suffix for a "-48 xTN" suffix to the catalogue number.  
Thus AL 350-48 RTN becomes AL 350-NLTN. NEMA drilling is 2-9/16 in. holes on 1-3/4 in. centers.

## Aluminum Lugs

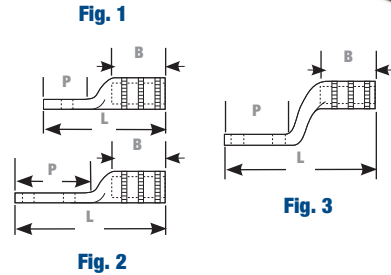
### Multi-Range Die-Less Lugs

#### Save yourself a die job with these multi-range lugs

- Assures high strength and high-conductivity
- Provides resistance against corrosion
- Use with aluminum and copper conductors
- Prevents oxidation
- Enables easy identification

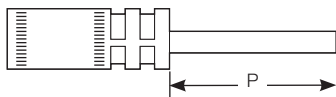


AL 4/0 NTN



Cat. No.	Conductor Range Alum. or Copper	Tool	Figure	Bolt Size	Dimensions		
					B	L	P
AL 1/0-48 TN	#6 str.-1/0 str.	VC 5/VC 6	1	1/2	1-3/8	3-3/16	1-5/16
AL 1/0 NTN			2		1-3/8	5-1/4	3-1/4
ASL 1/0 NTN			3		1-3/8	5-1/4	3
AL 4/0-48 TN	#2 str.-4/0 str.		1		1-7/16	3-9/16	1-3/8
AL 4/0 NTN			2		2	6	3-5/16
ASL 4/0 NTN			3		2	6	3
AL 300-48 TN	1/0 str.-300	VC 6	1	1/2	2-1/4	4	1-5/16
AL 300 NTN			2		2-1/4	6-9/16	3-9/16
AASL 300 NTN			3		2-1/4	6-9/16	3
SAB 500-48 TN	4/0 str.-500		1		2-1/2	4-9/16	1-1/2
SAB 500 NTN			2		2-1/4	6-3/8	3-1/8
AASL 500 NTN			3		2-1/2	6-7/8	2-7/8
AL 750 N 608 TN	4/0 str.-750	VC 8	2		3-3/4	8-1/4	3-3/8

To order a stud size not specified here with a terminal lug, substitute a "-58" suffix (designating a 5/8 in. stud) for a "-48" suffix (designating a 1/2 in. stud) to the catalogue number.



## Pin Terminals

### The pins you need for hassle-free terminations

- The high strength and conductivity of aluminum and the flexibility of copper
- No compatibility

Cat. No.	Conductor Size	Decimal Range		Tool	Cu Pin	P
		Min. O.D.	Max. O.D.			
PTA 1/0	#10 sol.-1/0 ACSR	0.102	0.398	VC 5/6	#2	6
PTA 4/0	#4 sol.-4/0 ACSR	0.204	0.563		2/0	
PTA 350	2/0 str.-336.4 (18/1) ACSR	0.414	0.684	VC 6	4/0	

For tin-plated option, add "-TN" suffix to the catalogue number. For other pin lengths, please contact your Thomas & Betts representative.





Fig.1



Fig.2



Fig.3



Fig.4

## Aluminum Lugs

### Blackburn® Slotted-Tang Compression Terminal Lugs

#### Compress these lugs with standard tools and dies

- Use with a wide range of aluminum and copper conductors
- Prevents oxidation and keeps out moisture
- Boss fits the indent on the bus, preventing the lug from rotating
- The bus doesn't have to be removed
- RUS Listed

Cat. No.	Colour Code	Conductor Size			Fig. No.	Installation Dies	
		Concentric	Compressed Compact	Sol.		Mech. Tool	Hydr. Tool
LAC6	Blue	#6 str.	#6	#5	1	BY37, 840	B49EA, U-K840
LAC4	Orange	#4 str.	#4	#3.			
LAC3	Purple	#3 str.	-	#2			
LAC2	Red	#2 str.	#2	#1			
LAC1	White	#1 str.	#1	1/0			
LAC10	Yellow	1/0 str.	1/0	2/0	2	BY37, 840U	B49EA, K840
LAC20	Grey	2/0 str.	2/0	3/0			
LAC30	Black	3/0 str.	3/0	4/0			
LAC40	Pink	4/0 str.	4/0	-			
LAC42	Orange	#4 str.	#4	#3			
LAC32	Purple	#3 str.	-	#2			
LAC22	Red	#2 str.	#2	#1			
LAC12	White	#1 str.	#1	1/0			
LAC102	Yellow	1/0 str.	1/0	2/0			
LAC202	Grey	2/0 str.	2/0	3/0			
LAC302	Black	3/0 str.	3/0	4/0	3	-	B80EA, 1.1, 655
LAC402	Pink	4/0 str.	4/0	-			
LAC25	Green	350, 266.6	250	-			
LAC35	Brown	300, 350	350	-			
LAC50	Aqua	400, 500	500	-			
LAC125	Green	250, 266.8	250	-	4	-	B80EA, 1.1, 655
LAC135	Brown	300, 350	350	-			
LAC150	Aqua	400, 500	500	-			

## Aluminum Lugs

### Bi-Metallic Lugs

#### Corrosion-resistant one- and two-hole lugs for ACSR and aluminum conductors

- Provides high strength
- Provides high-conductivity and corrosion resistance
- Prevents oxidation and keeps out moisture



Cat. No.	Conductor Size		Bolt Size
	ACSR	Al	
<b>CPL Series – One Hole</b>			
CPL 4-48	#4	#4	1/2
CPL 2-48	#2	#2	
CPL 1/0-48	1/0	1/0	
CPL 4/0-48	4/0	4/0	
<b>CPL-N Series – Two Hole</b>			
CPL 4 N	#4	#4	1/2
CPL 2 N	#2	#2	
CPL 1/0 N	1/0	1/0	
CPL 2/0 N	2/0	2/0	
CPL 3/0 N	3/0	3/0	
CPL 4/0 N	4/0	4/0-250	
CPL 300 N	266.8	266.8-300	
CPL 350 N	336.4	336.4-350	
CPL 477 N	397.5	396.5-477	
CPL 556 N	477	500-556.5	
CPL 600 N	556.5	600	
CPL 800 N	605-666.6	715.5-800	
CPL 1000 N	715.5-874.5	874.5-1000	
CPL 1113 N	900-1113	1033.5-1113	
CPL 2000 N	1780-1900	2000	