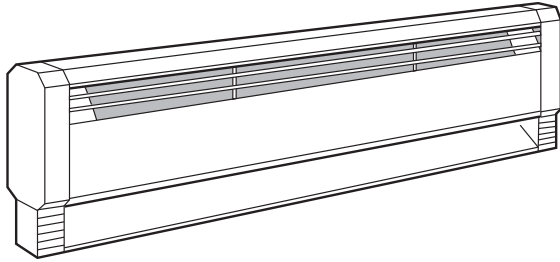




470 Beauty Spot Rd. E, Bennettsville, SC 29512

**SUBMITTAL SHEET
HBB SERIES
LIQUID FILLED ELECTRIC
HYDRONIC HEATERS**



| CAPACITIES | |
|--|--|
| 500 TO 2000 W | |
| 145, 188 or 250 Watts/ft. | |
| 28", 34", 46", 58", 70" or 94" lengths | |
| 1 phase only | |

JOB NAME: _____

LOCATION: _____

ARCHITECT: _____

ENGINEER: _____

CONTRACTOR: _____

SUBMITTED BY: _____

DATE: _____

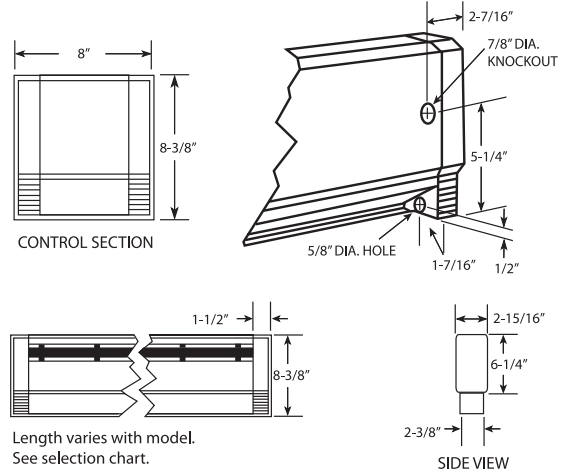
| ITEM | QTY. | CATALOG NUMBER | TAG | WATTS | VOLTS | PHASE Ø | AMPS | AVAILABLE CONTROLS |
|------|------|----------------|-----|-------|-------|---------|------|--------------------|
| | | | | | | | | |
| | | | | | | | | |
| | | | | | | | | |
| | | | | | | | | |
| | | | | | | | | |
| | | | | | | | | |
| | | | | | | | | |
| | | | | | | | | |
| | | | | | | | | |
| | | | | | | | | |

ACCESSORIES
AND
CONTROLS

| ITEM | QTY. | CAT. NO. | TAG | DESCRIPTION |
|------|------|----------|-----|-------------|
| | | | | |
| | | | | |
| | | | | |
| | | | | |
| | | | | |
| | | | | |
| | | | | |
| | | | | |

HBB SERIES - LIQUID FILLED ELECTRIC HYDRONIC HEATERS

**WIRING COMPARTMENTS
DIMENSIONS**
Unit length varies
with model.
See Selection Chart.



ARCHITECT'S & ENGINEER'S SPECIFICATIONS*

Furnish and install where indicated on plans, electric hydronic baseboard heaters, suitable for continuous operation as manufactured by QMark, A Marley Engineered Products Brand, Bennettsville, SC. Heaters shall be cULus listed.

ENCLOSURE: The heaters shall be fabricated of minimum .032 inch pre-painted steel with minimum .040 inch electro-galvanized steel control boxes. Support brackets shall be 18 ga.

FRONT COVER: The front cover shall be fabricated of minimum .032 pre-painted steel.

HEATING ELEMENT: The heating element wire shall consist of 80% nickel, 20% chromium, and shall be immersed in a heat-transfer liquid and sealed in a heater length copper tube.. Aluminum fins shall be so designed as to block sheath radiation to front and back of heater body and pressure bonded to steel sheath.

INSTALLATION: Heaters shall be designed to permit use of supply conductors with 60°C insulation.

GENERAL: Heater has a durable textured polyester powder coat finish or corrosion resistance. Linear thermal cut-out shall be factory installed to automatically shut off heater in event of overheating and reactivate heater when temperatures return to normal. The complete heater shall have a height of 8-3/8 inches and a depth of 2-15/16 inches. Heaters shall have cULus approval for mounting on any floor surface including carpeting.

* QMark reserves the right to change specifications without prior notice.

SELECTION CHART

| CATALOG NUMBER | VOLTS | WATTS | BTU/HR | AMPS | APPROX. HTG. AREA | LENGTH (IN.) | SHIP WT. (LBS.) |
|----------------|---------|-----------|-----------|---------|-------------------|--------------|-----------------|
| HBB500 | 120 | 500 | 1706 | 4.2 | 60S.F. | 28 | 10 |
| HBB508 | 208 | 500 | 1706 | 2.4 | | | |
| HBB504 | 240/208 | 500/375 | 1706/1280 | 2.1/1.8 | | | |
| HBB750 | 120 | 750 | 2560 | 6.3 | 95 S.F. | 34 | 12 |
| HBB758 | 208 | 750 | 2560 | 3.6 | | | |
| HBB754 | 240/208 | 750/563 | 2560/1921 | 3.1/2.7 | | | |
| HBB1000 | 120 | 1000 | 3413 | 8.3 | 125 S.F. | 46 | 15 |
| HBB1008 | 208 | 1000 | 3413 | 4.8 | | | |
| HBB1004 | 240/208 | 1000/750 | 3413/2560 | 4.2/3.6 | | | |
| HBB1250 | 120 | 1250 | 4265 | 10.4 | 155 S.F. | 58 | 19 |
| HBB1258 | 208 | 1250 | 4265 | 6.0 | | | |
| HBB1254 | 240/208 | 1250/938 | 4265/3200 | 5.2/4.5 | | | |
| HBB1500 | 120 | 1500 | 5120 | 12.5 | 185 S.F. | 70 | 22 |
| HBB1508 | 208 | 1500 | 5120 | 7.2 | | | |
| HBB1504 | 240/208 | 1500/1125 | 5120/3839 | 6.3/5.4 | | | |
| HBB2008 | 208 | 2000 | 6826 | 9.6 | 250 S.F. | 94 | 30 |
| HBB2004 | 240/208 | 2000/1500 | 6826/5120 | 8.3/7.2 | | | |

| CATALOG NO. | DESCRIPTION |
|-------------|---|
| HBBT1* | 22Amp @ 120-240VAC 18Amp @ 277VAC Single Pole Thermostat Snap Action Type. Field Installed in Junction Box. |
| HBBT2* | 22Amp @ 120-240VAC 18Amp @ 277VAC Double Pole Thermostat Snap Action Type. Field Installed in Junction Box. |
| HBBT1TP* | Same As Model HBBT1 Except Tamperproof. |
| HBBT2TP* | Same As Model HBBT2 Except Tamperproof. |
| HBBAC | Air Conditioner Outlet Section. 20Amp @ 208-240VAC. |
| HBBDR | Duplex Receptacle Section. 15Amp @ 120VAC. |
| HBBWS | 8" Blank Wiring Section. |
| HBBDSDR120 | 2 Pole disconnect switch and 120V receptacle. |

* Installs in junction box.

| CATALOG NO. | DESCRIPTION |
|-------------|---|
| HBBLVRO | Low Voltage Relay Control Section 25A @ 120VAC. |
| HBBLVR8 | Low Voltage Relay Control Section 25A @ 208VAC. |
| HBBLVR4 | Low Voltage Relay Control Section 25A @ 240VAC. |
| HBBCDS2 | Two Pole Disconnect Switch Section. |

Control Section 8" in length.

| CATALOG NO. | DESCRIPTION |
|-------------|------------------------|
| CBDCIC | Inside Corner Section |
| CBDCOC | Outside Corner Section |
| CBDBS2 | 2 Ft. Blank Section |
| CBDBS3 | 3 Ft. Blank Section |
| CBDBS4 | 4 Ft. Blank Section |
| CBDBS5 | 5 Ft. Blank Section |
| CBDBS6 | 6 Ft. Blank Section |
| CBDBS8 | 8 Ft. Blank Section |