



# RADIANCE™ RESIDENTIAL PLASTIC TOILET SEAT

MODEL #

COLOR #

**H1700NL**

## DESCRIPTION :

Closed front with cover, elongated, injection molded solid plastic toilet seat. Features four large, Super Grip Bumpers™, color-matched Whisper•Close®, Precision Seat Fit™ Adjustable hinges and STA-TITE® Seat Fastening System™. Hinges adjust up to 1" forwards and backwards. Seat also features 3 warming settings for comfort and a built in night light that provides the perfect amount of illumination, eliminating disruption of normal sleep patterns. Seat is powered by a standard GFCI wall outlet.

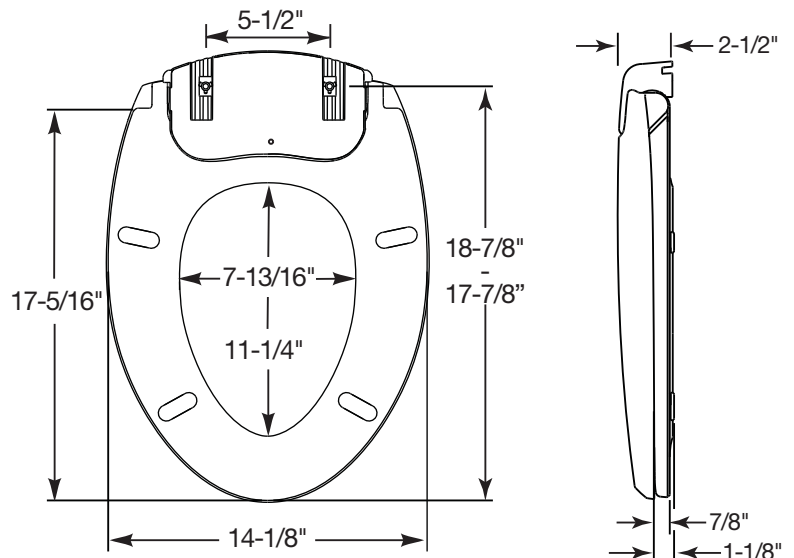
## SPECIFICATIONS :

|                   |   |
|-------------------|---|
| Size:             | Elongated                                       |
| Material:         | Plastic   |
| Style:            | Closed Front with Cover                         |
| Bumpers:          | Four  |
| Hinges:           | Plastic Whisper•Close® with Precision Seat Fit™ |
| Fastening System: | STA-TITE® Seat Fastening System™                |

## FEATURES :

- Multi-Setting Warming Seat
- Built-In Night Light
- Precision Seat Fit™ Adjustable Hinges
- Whisper•Close®
- STA-TITE® Seat Fastening System™
- Super Grip Bumpers™

## DIMENSIONS :



ADJUSTABLE HEATED SEAT



"BUILT-IN" NIGHT LIGHT



PRECISION SEAT FIT™ 1" ADJUSTABLE HINGES



WHISPER•CLOSE®



STA-TITE® SEAT FASTENING SYSTEM™



SUPER GRIP BUMPERS™