



RESIDENTIAL MOLDED WOOD TOILET SEAT



MODEL #

COLOR #

560TTT

DESCRIPTION :

Open front with cover, round, molded wood, multi-coat enamel finish toilet seat. Features two color-matched bumpers, color-matched plastic adjustable hinges with non-corrosive, TOP-TITE® bolts and wing nuts with STA-TITE® Seat Fastening System™. Hinges adjust up to 3/8" forwards and backwards.

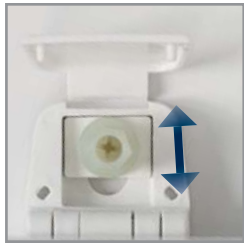
SPECIFICATIONS :

Size:	Round
Material:	Molded Wood
Style:	Open Front with Cover
Bumpers:	Two
Hinges:	Adjustable Plastic
Fastening System:	Non-Corrosive Bolts and Wing Nuts with STA-TITE® Seat Fastening System™

FEATURES :

- Adjustable Hinges
- TOP-TITE STA-TITE®
- Non-Corrosive Bolts and Wing Nuts

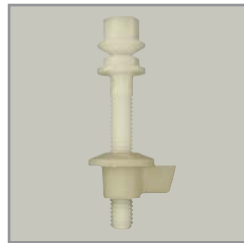
DIMENSIONS :



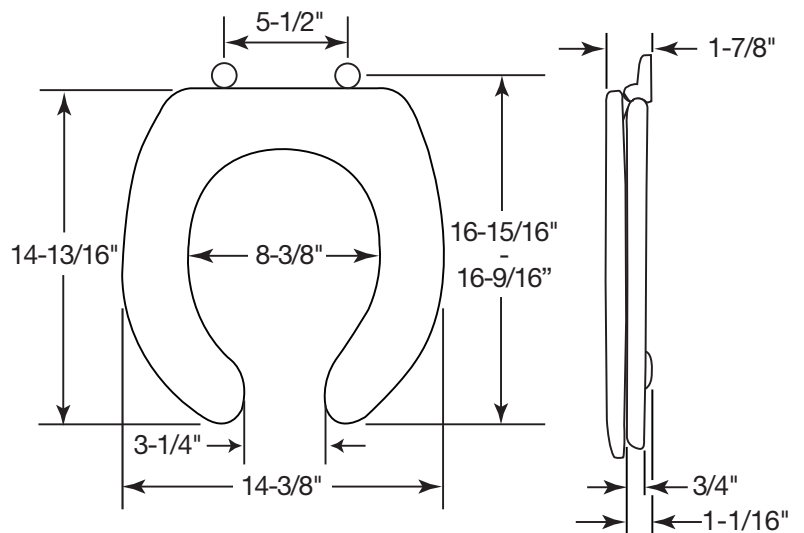
3/8" ADJUSTABLE HINGES



TOP-TITE STA-TITE®



NON-CORROSIVE BOLTS
AND WING NUTS



Proudly Made in the USA

Church Seats, Sheboygan Falls, WI 53085
www.ToiletSeats.com

Phone: 800-233-7328 Fax: 800-292-3647
©2017 0B7082323 REVA