

BALDOR® • RELIANCE

Product Information Packet

GSF6026AA

STF-258-60-A-A

Specs			
Motor Mount:	56C		
Output Type:	RIGHT ANGLE		
Shaft Configuration:	SOLID SHAFT		
Sub Family:	STF		
Product Series:	UNIVERSAL		

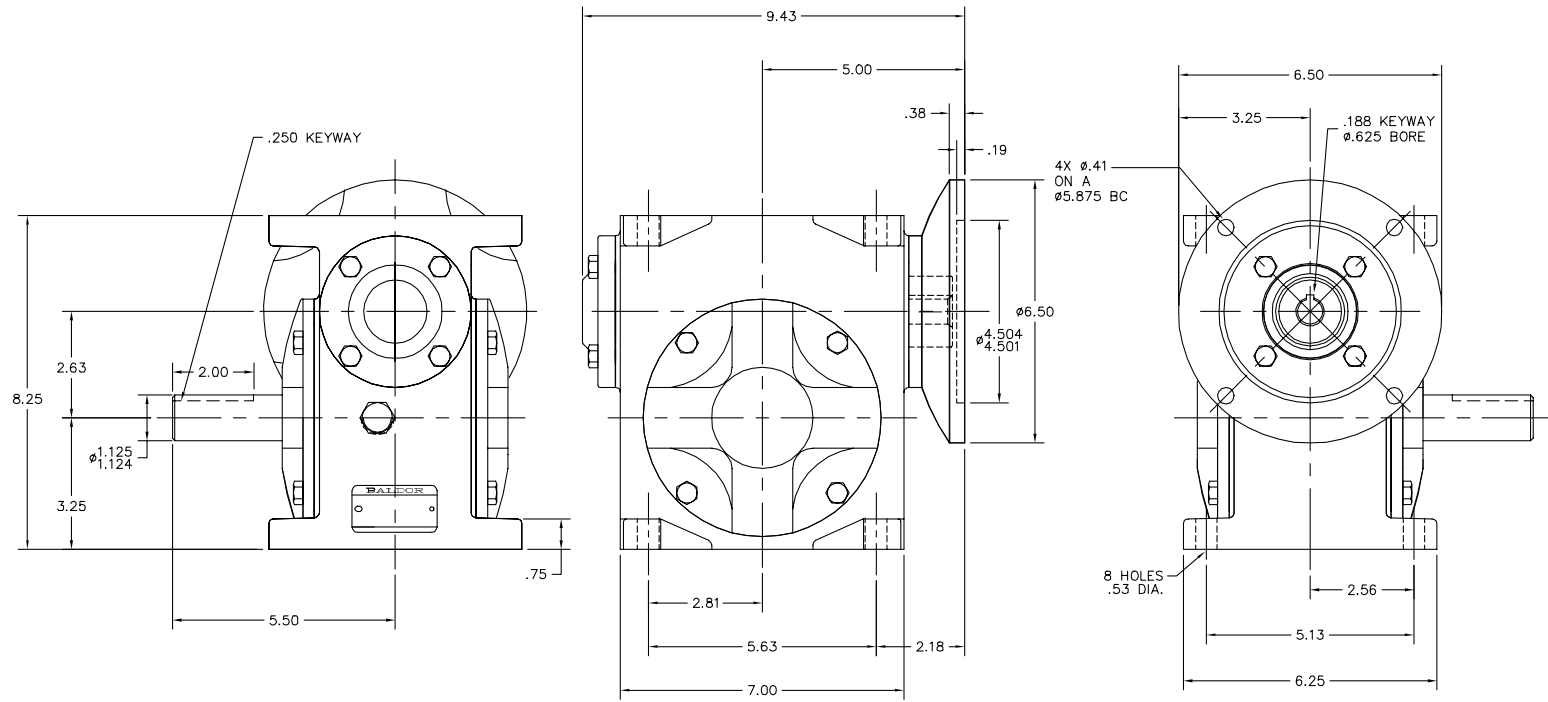
Nameplate NP1753L	
INPUT H.P.	.695
RATIO	60
	STF-258-60-A-A
CAT./SPEC	GSF6026AA
SERIAL NO.	
	R TORQ-INLB 976
	GR0013C045

Parts List		
Part Number	Description	Quantity
HG0007A06	258 SERIES WORMGEAR HOUSING, SEALED	1.000 EA
HA4021A06	1/2 NPTF-HX SOC PIPE PLUG 3/4 TAPER	1.000 EA
WM0056B02	258 MTZ WORM ASSY 60:1 RATIO 5/8 BORE	1.000 EA
BG5305A01NR	5305 OPEN,DBL ROW,ANG.CONTACT,SNAP RING	1.000 EA
HW5060A58	RET RING 5160-98 WALDES FOR .984 OR 1.00	1.000 EA
BS0009A01	258-2F BEARING SUPPORT, CLOSED	1.000 EA
258-11F	INP GSKT MTZ	4.000 EA
10XN3118K16	5/16-18 X 1' GRADE #5, STL, ZINC PLATE	4.000 EA
258-3F56	NEMA FR MTZ FLG	1.000 EA
258-11	INP GSKT STD	4.000 EA
HW4600C91	1.750 X 2.374 X 0.313 SGLLIP, CR #17270	1.000 EA
10XN3118K20	5/16-18 X 1 1/4 GRADE 5 STEEL ZC PLATED	4.000 EA
HW1001A31	LOCKWASHER 5/16, ZINC PLT.591 OD, .319 I	4.000 EA
BS0010A01	258-4 BEARING SUPPORT, CLOSED	1.000 EA
258-12	OUT GSKT	4.000 EA
10XN3118K12	5/16-18 X .75 GRADE 5, ZINC PLATED	4.000 EA
SG0005B05	258 GEAR SHAFT ASSY 60:1, SGL O/P, W/COM	1.000 EA
BS0028A01	258-5 BEARING SUPPORT, OPEN	1.000 EA
258-12	OUT GSKT	4.000 EA
HW4600C79	1.125 X 2.000 X 0.375 DBLLIP, CR #11323	1.000 EA
10XN3118K12	5/16-18 X .75 GRADE 5, ZINC PLATED	4.000 EA
MJ1000A90	KLUBERSYNTH UH1-6-460 WORMGEAR OIL	0.250 GA
MJ5001A19	LOCTITE #598 ULTRA BLACK, 50 LB PAIL, IT	0.010 LB
MJ5004A35	ADHESIVE LOCTITE #243-31 50 ML	0.001 EA

Parts List (continued)		
Part Number	Description	Quantity
MG1000G27	S-9282E MED CHARCOAL METALLIC GREY	0.030 GA
LT0066A08	REDUCER MAINT - KLUBE (1700/bx) 8/09	1.000 EA
LB5042	TOE TAG, OIL PREFILL KLUBERSYN (5000/bx)	1.000 EA
NP1753L	RIVETED LASER NP, GEAR REDUCER, UH1 6-46	1.000 EA
LB1242	ADHESIVE PATCH 1.10 X 2.03 X .045 THICK	1.000 EA
MJ1000B01	ANTISEIZE - ALTEMP Q NB 50, 750 GRAM CAN	0.001 EA
HA3556A01	CAPPLUGS T-7X, ORM BORE PLUG 5/8 BORE	1.000 EA
35PA1000	PKG GRP, PRINT PK1008A06	1.000 EA
HW2513A12	KEY .250 X 1.875 1018 STEEL	1.000 EA
HW0003D07	USER H/W PKG - 3/8 BOLT & WASHER	1.000 EA

No performance data has been
assigned to this product.

GY0013C01

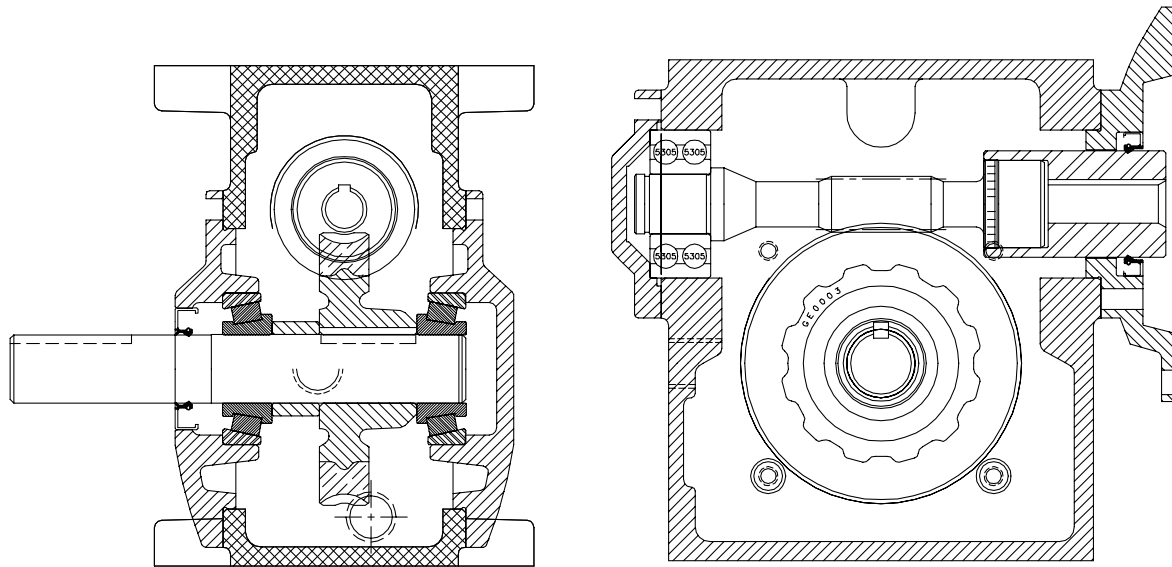


GY0013C01

CUST. NAME:		CUST. P.O.:		REV. DESC: CHG OUTPUT SHAFT DIA TO 3 PLACES	
MODEL:		CATALOG/SPEC NO.:		REV. LTR: D	VERSION: 04
RATIO:		MAX. INPUT HP:	OUTPUT TORQUE:	FILE: \CKA\00031\361	REVISED: 08:54:45 12/14/2013
RATINGS ARE AGMA CLASS 1 SERVICE AT 1750 RPM INPUT		CERTIFIED BY:		MTL: -	TDR: 000000831166 BY: CKMICRO

BALDOR
STF-258-A-A
SH 1 of 2

GY0013C01



GY0013C01

REV. DESC: CHG OUTPUT SHAFT DIA TO 3 PLACES		
REV. LTR: D	VERSION: 04	TDR: 000000B31166
FILE: \CKA\00031\361	REVISED: 08:54:45 12/14/2013	BY: CKMICRO
MTL: -		

BALDOR

STF-258-A-A
SH 2 of 2