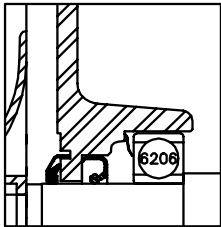
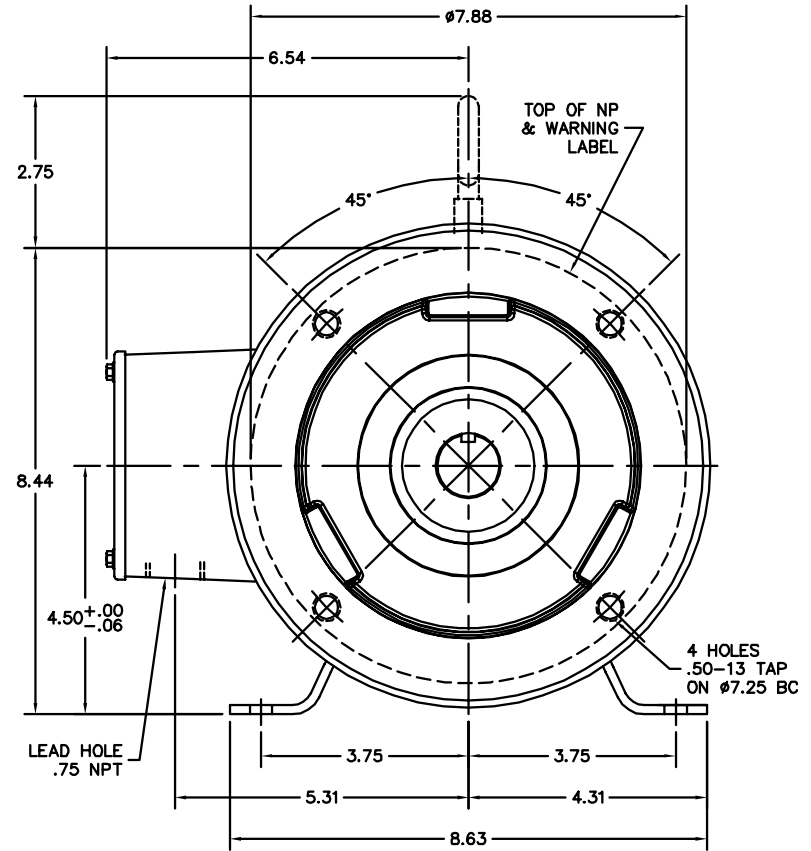
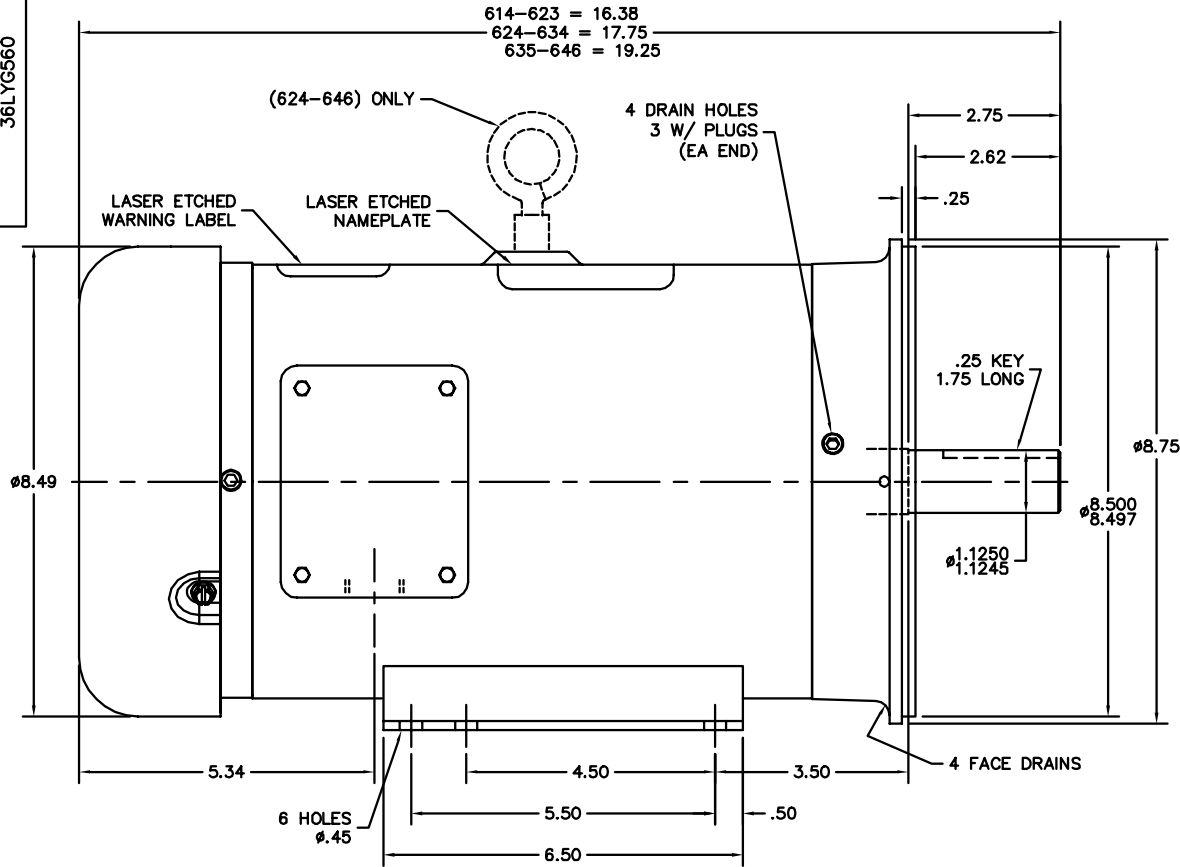
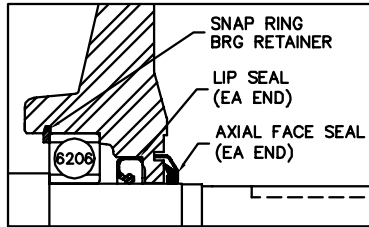


36LYG560



FRONT END DETAIL



PULLEY END DETAIL

CUSTOMER IS RESPONSIBLE FOR DETERMINING THAT BALDOR'S PRODUCT WILL PERFORM SUITABLY IN THE INTENDED APPLICATION.

REV. DESC: REMOVE CAT LASER ETCH GRAPHICS FROM SIDE OF BAND		
REV. LTR: D	VERSION: 04	TDR: 000000953840
FILE: \AAA\00177\171	REVISED: 02:35:46 11/17/2015	BY: ENALEMO
MTL: -		

**BALDOR**

STD HOR 182-4TC TEFC M WD10

SH 1 of 1

36LYG560