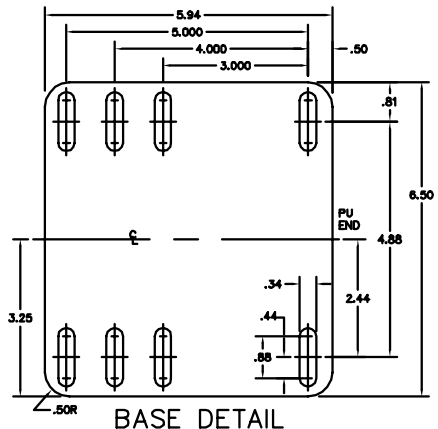
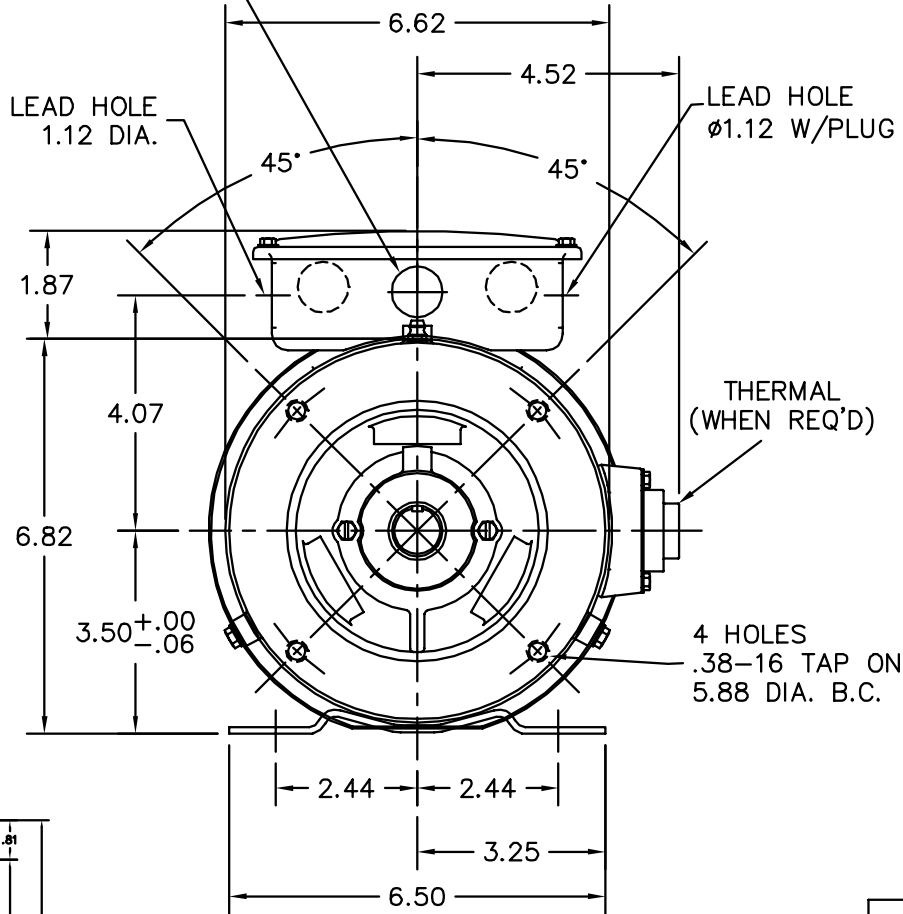
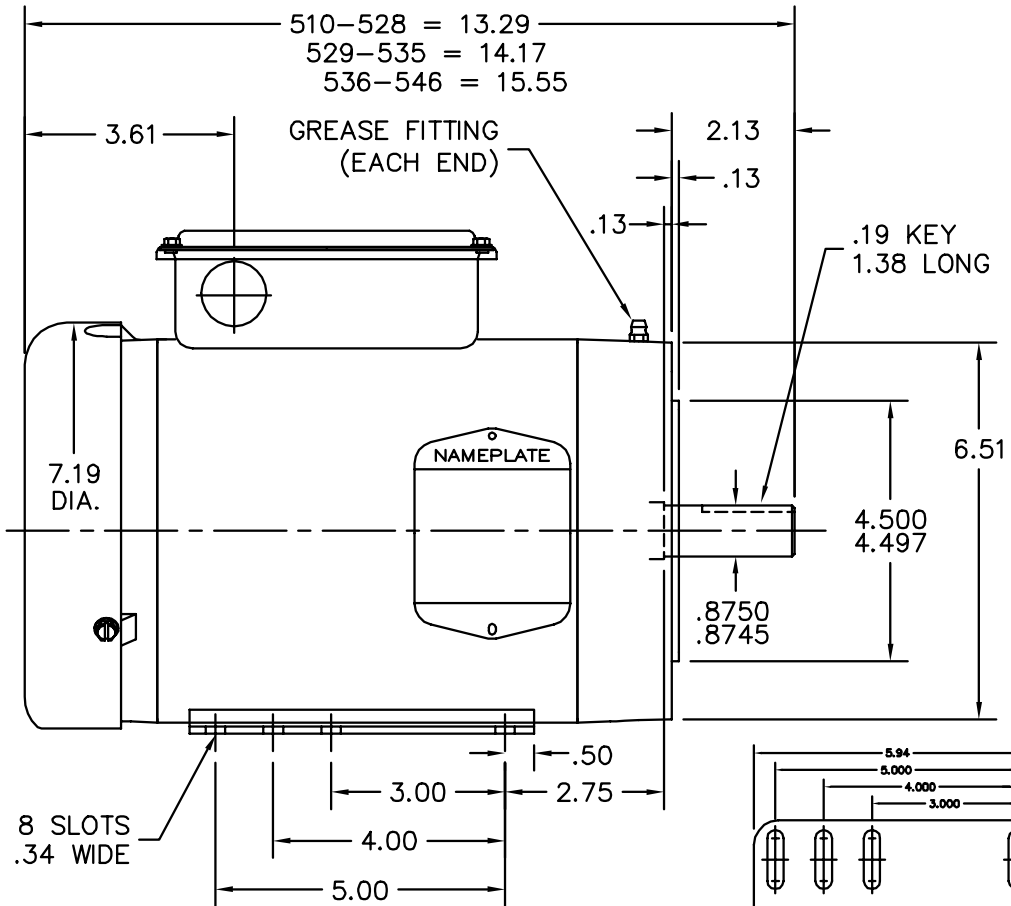


1 X Ø.88 KNOCKOUT (PU. END)
2 X Ø.88 KNOCKOUTS (FR. END)



CUSTOMER IS RESPONSIBLE FOR DETERMINING THAT BALDOR'S PRODUCT WILL PERFORM SUITABLY IN THE INTENDED APPLICATION.

REV. DESC: CHG DESC. TO BE 'TCY' INSTEAD OF 'TYC'

REV. LTR: A

VERSION: 01

TDR: 00000561318

FILE: \AAA\00152\723

REVISED: 11:17:27 10/08/2010

MTL: -

BY: ENMATRO

BALDOR

HORZ 143-5TCY TEFC M F3 W/35CB4007 & 35BA4011

SH 1 of 1