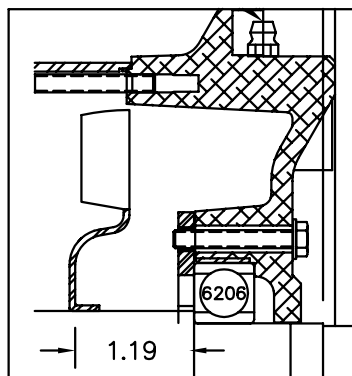
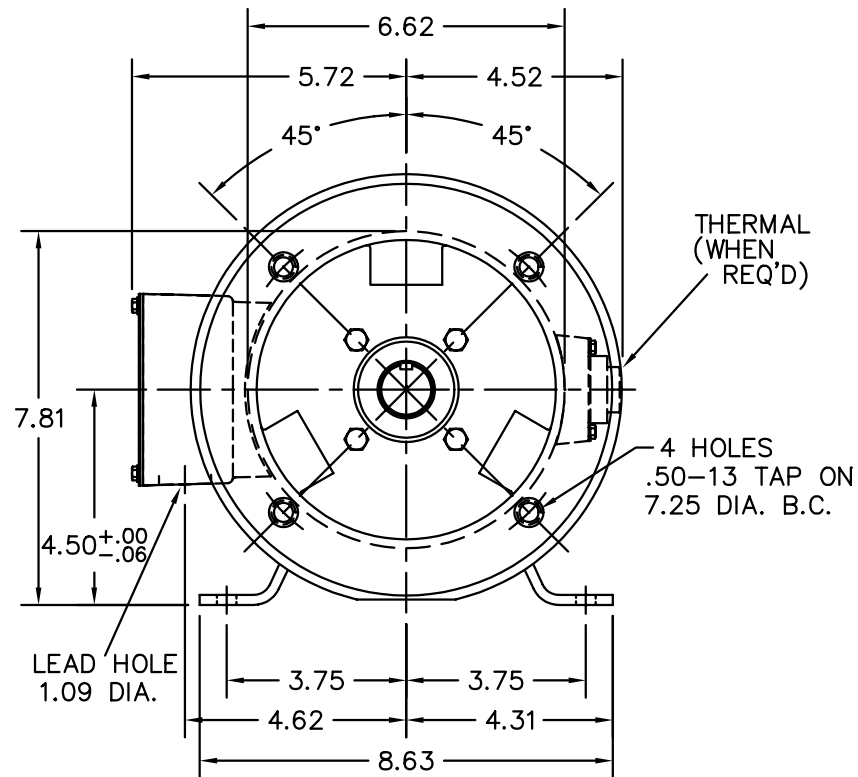
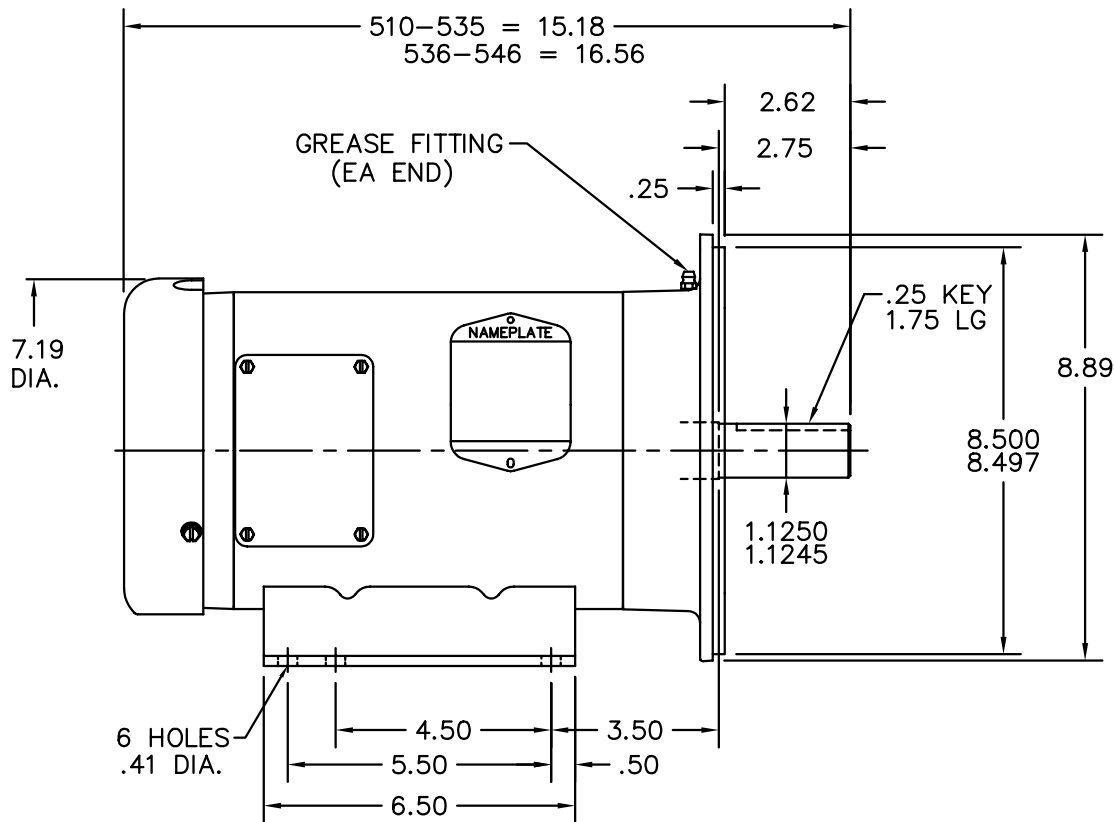


35LYL113



CUST. NAME	CUST. P.O.	CERTIFIED BY	MODEL	INSUL	AMB
H.P.	MTG	TYPE	R.P.M.	VOLTS	ENCL
REV. LTR: J	BY: JED	REVISED: 08/03/99 2:37	TDR: 0187311	PHASE	FREQ
35LYL113	FILE: AAA00005832	MDL: -	MTL: -		
			BALDOR ELECTRIC Co.		
			STD HORZ 182-4TC TEFC 35M		

35LYL113