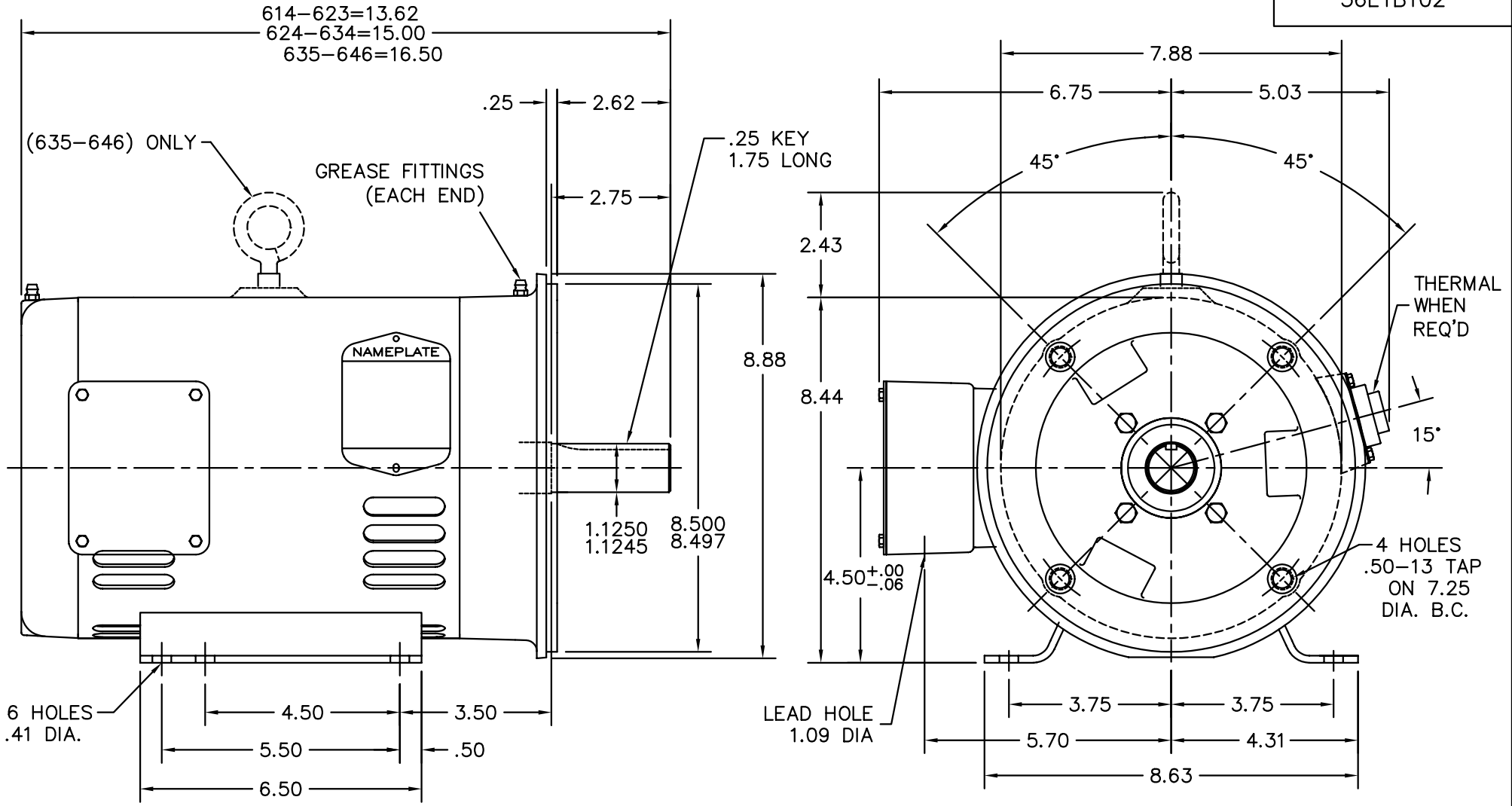


36LYB102



CUST. NAME		CUST. P.O.		CERTIFIED BY		MODEL		INSUL		AMB	
H.P.		MTG		TYPE		R.P.M.		VOLTS		ENCL	
PHASE		FREQ		FRAME							
REV. LTR: D						BY: SSS		REVISED: 07/28/99 2:06		TDR: 0187013	
36LYB102						FILE: AAA00048653		MDL: -		MTL: -	
						BALDOR ELECTRIC Co.					
						HORZ 182-4TC OPSB 36M					

36LYB102