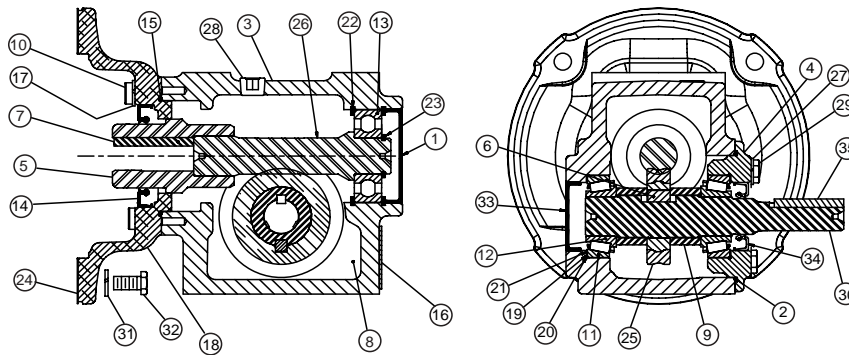




## RENEWAL PARTS

### TIGEAR-2 Quill Input / Solid Output Sizes 13- 23



Ref No.	Description	Qty	13	15	17	20	23
			Part Number	Part Number	Part Number	Part Number	Part Number
1	INPUT BORE PLUG	1	276005	276005	276001	276001	276002
2	O-RING	1	276019	276019	276134	276355	334307
3	TIG2 SOLID GEARCASE	1	333210	333211	333212	333213	333214
4	T2 133& 150 SOLID BRG HSG	1	333265	333265	333266	333267	333268
5	QUILL CPLG 150 56C	1	See Gear Chart	See Gear Chart	See Gear Chart	See Gear Chart	See Gear Chart
6	GEAR KEY	1	333650	333661	333666	333671	333686
7	DRIV-LOK KEY 56-140	1	333698	333698	333667	333667	333698
	DRIV-LOK KEY 180TC	1	----	----	----	----	333707
	DRIV-LOK KEY 210TC	1	----	----	----	----	----
	DRIV-LOK KEY 250TC	1	----	----	----	----	----
8	TIGEAR 2 LUBRICANT	1	334863	334863	334863	334863	334863
9	SOLID SPACER	2	333725	333726	333727	333728	333729
10	SOCKET HEAD CAP SCR GR8	4	333801	333801	333801	333801	51492
	SCKT HD CAP SCR 180-210-250	4	----	----	----	----	----
11-12	BEARING CUP/CONE ASSM	2	335337	335337	411626-01-C	411626-01-A	411626-01-A
13	BALL BEARING	1	334218	334218	334219	334219	334220
14	INPUT SEAL T2 56-140	1	334274	334274	334274	334274	334276
	INPUT SEAL T2 180-210-250	1	----	----	----	----	----
15	"O-RING, NITRILE"	1	334301	334301	334301	334301	276355
16	TIGEAR 2 NAMEPLATE	1	334305	334305	334305	334305	334305
17	MED LOCKWASHER	4	419010	419010	419010	419010	275803

(1) 250TC adpt plate bolts onto 180-210 motor adapter.

(2) Adpt plate 07906722AB bolts onto 56-140 adpt and accepts 180 motor. Adpt 333231 is one piece complete and accepts 180 or 210 motor.

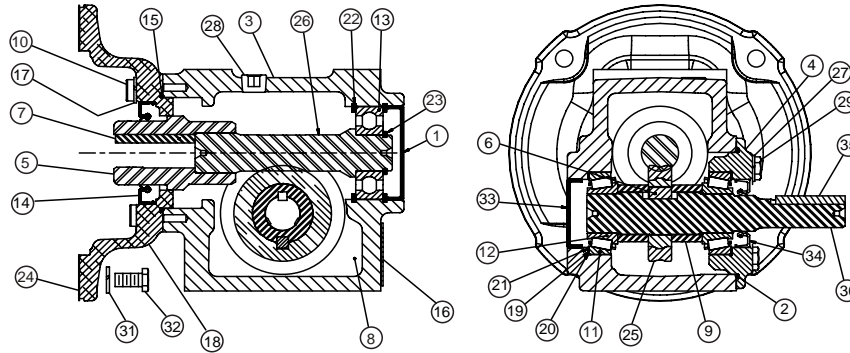
(3) Order qty 2 (gal) of p/n 334862.

(4) Frame size 250 uses qty 2.

FEATURES/BENEFITS PAGE 3	SPECIFICATION PAGE 6	NOMENCLATURE PAGE 7	MODIFICATION / ACCESSORIES PAGE 78
-----------------------------	-------------------------	------------------------	---------------------------------------

# RENEWAL PARTS

## TIGEAR-2 Quill Input / Solid Output Sizes 13 - 23



Ref No.	Description	Qty	13	15	17	20	23
			Part Number	Part Number	Part Number	Part Number	Part Number
18	MOTOR ADAPTER T2 56-140	1	333228	333228	333228	333228	333229
	MOTOR ADPT PLT 180-210 (2)	1	----	----	----	----	079067-22-AB
	MOTOR ADPT PLT 250TC (1)	1	----	----	----	----	----
19-21	SHIM KIT	1	411642-42-E	411642-42-E	411623-33-A	411623-33-B	411623-33-B
22	INTERNAL RET RING	2	411637-02-AV	411637-02-AV	58256	58256	411637-01-A
23	EXTERNAL RET RING	1	411637-02-E	411637-02-E	411637-02-AV	411637-02-AV	411637-02-N
24	56/140 M/A. GASKET	1	602028-43-F	602028-43-F	602028-43-F	602028-43-F	602028-43-F
	MTR ADPT GSKT 180-210-250 (4)	1	----	----	----	----	276335
25	TIG2 SOLID GEAR	1	See Gear Chart	See Gear Chart	See Gear Chart	See Gear Chart	See Gear Chart
26	TIG2 WORMSHAFT	1	See Gear Chart	See Gear Chart	See Gear Chart	See Gear Chart	See Gear Chart
27	MED LOCKWASHER	4	419009	419009	419010	419010	275803
28	PIPE PLUG 1/4" SOC.	2	411647-34-B	411647-34-B	411647-34-B	411647-34-B	411647-34-B
29	HEX HEAD CAP SCREW GR5	4	51302	51302	411405	411405	51929
30	SOLID O/P SHFT-SINGLE EXTN	1	333604	333605	333606	333607	333608
31	LOCK WASHER 56-140	4	275803	275803	275803	275803	275803
	LOCK WASHER 180-210	4	----	----	----	----	----
32	HEX HD CAP SCR MTR 56-140	4	51492	51492	51929	51492	51929
	HEX HD CAP SCR MTR 180-210	4	----	----	----	----	411631-63-A
	HEX HD CAP SCR MTR 250	4	----	----	----	----	----
33	OUTPUT BORE PLUG	1	276008	276008	334245	334247	334247
34	TIG2 SEAL, OUTPUT	1	334271	334271	334272	334273	334273
35	KEY	1	333665	333660	333665	55025	333685

(1) 250TC adpt plate bolts onto 180-210 motor adapter.

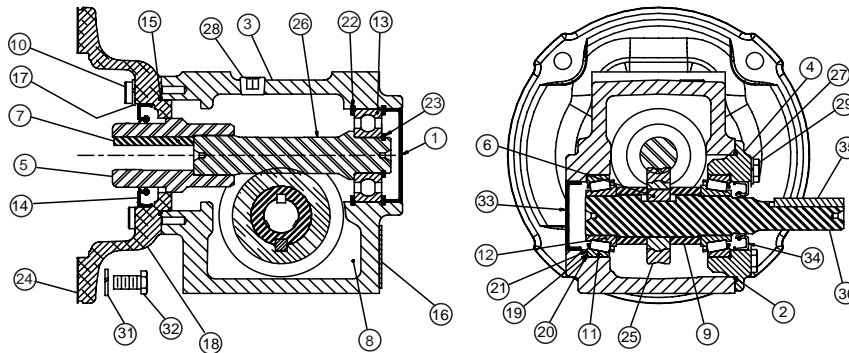
(2) Adpt plate 07906722AB bolts onto 56-140 adpt and accepts 180 motor. Adpt 333231 is one piece complete and accepts 180 or 210 motor.

(3) Order qty 2 (gal) of p/n 334862.

(4) Frame size 250 uses qty 2.

FEATURES/BENEFITS PAGE 3	SPECIFICATION PAGE 6	NOMENCLATURE PAGE 7	MODIFICATION / ACCESSORIES PAGE 78
-----------------------------	-------------------------	------------------------	---------------------------------------

## TIGEAR-2 Quill Input / Solid Output Sizes 26 - 47



Ref No.	Description	Qty	26	30	35	40	47
			Part Number	Part Number	Part Number	Part Number	Part Number
1	INPUT BORE PLUG	1	334248	276004	276007	334250	334253
2	O-RING	1	334302	334308	276358	334313	334315
3	TIG2 SOLID GEARCASE	1	333215	333216	333217	334506	334576
4	T2 133& 150 SOLID BRG HSG	1	333269	333270	333271	334510	334580
5	QUILL CPLG 150 56C	1	See Gear Chart	See Gear Chart	See Gear Chart	See Gear Chart	See Gear Chart
6	GEAR KEY	1	333696	333706	333775	334564	334624
7	DRIV-LOK KEY 56-140	1	333698	333698	333715	334557	334557
	DRIV-LOK KEY 180TC	1	333707	333707	333707	334558	334558
	DRIV-LOK KEY 210TC	1	-----	-----	333721	334559	334559
	DRIV-LOK KEY 250TC	1	-----	-----	-----	334560	334560
8	TIGEAR 2 LUBRICANT	1	334862	334862	334862	334862	334862 (3)
9	SOLID SPACER	2	333730	333731	333732	334565	334625
10	SOCKET HEAD CAP SCR GR8	4	51492	51492	51952	51952	51952
	SCKT HD CAP SCR 180-210-250	4	-----	-----	334374	334374	334374
11-12	BEARING CUP/CONE ASSM	2	411626-01-A	335338	411626-01-R	335340	335344
13	BALL BEARING	1	334221	334222	334223	334224	334225
14	INPUT SEAL T2 56-140	1	334276	334276	334276	334276	334276
	INPUT SEAL T2 180-210-250	1	-----	-----	334279	334279	334279
15	O-RING, NITRILE	1	276355	276355	334302	334302	334302
16	TIGEAR 2 NAMEPLATE	1	334305	334305	334305	334305	334305
17	MED LOCKWASHER	4	275803	275803	275855	275855	275855

(1) 250TC adpt plate bolts onto 180-210 motor adapter.

(2) Adpt plate 07906722AB bolts onto 56-140 adpt and accepts 180 motor. Adpt 333231 is one piece complete and accepts 180 or 210 motor.

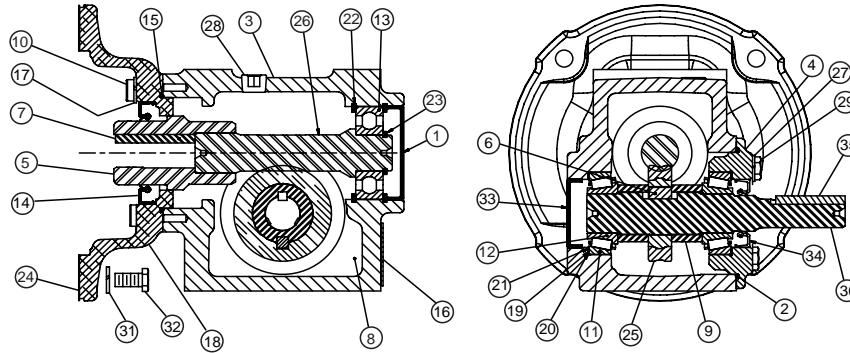
(3) Order qty 2 (gal) of p/n 334862.

(4) Frame size 250 uses qty 2.

FEATURES/BENEFITS PAGE 3	SPECIFICATION PAGE 6	NOMENCLATURE PAGE 7	MODIFICATION / ACCESSORIES PAGE 78
-----------------------------	-------------------------	------------------------	---------------------------------------

# RENEWAL PARTS

## TIGEAR-2 Quill Input / Solid Output Sizes 26 - 47



Ref No.	Description	Qty	26	30	35	40	47
			Part Number	Part Number	Part Number	Part Number	Part Number
18	MOTOR ADAPTER T2 56-140	1	333229	333229	334759	334759	334759
	MOTOR ADPT PLT 180-210 (2)	1	079067-22-AB	079067-22-AB	333231	333231	333231
	MOTOR ADPT PLT 250TC (1)	1	-----	-----	-----	334570	334570
19-21	SHIM KIT	1	411623-33-B	335330	411623-33-C	335331	335336
22	INTERNAL RET RING	2	278715	411637-02-AC	278717	51334	51335
23	EXTERNAL RET RING	1	411637-02-AP	411637-02-AR	411637-02-BA	334404	333933
24	56/140 M/A. GASKET	1	602028-43-F	602028-43-F	602028-43-F	602028-43-F	602028-43-F
	MTR ADPT GSKT 180-210-250 (4)	1	276335	276335	276335	276335	276335
25	TIG2 SOLID GEAR	1	See Gear Chart	See Gear Chart	See Gear Chart	See Gear Chart	See Gear Chart
26	TIG2 WORMSHAFT	1	See Gear Chart	See Gear Chart	See Gear Chart	See Gear Chart	See Gear Chart
27	MED LOCKWASHER	4	275803	275855	275855	419036	419036
28	PIPE PLUG 1/4" SOC.	2	411647-34-B	411647-34-B	411647-34-B	411647-34-B	411647-34-B
29	HEX HEAD CAP SCREW GR5	4	51929	51952	51952	411483	411484
30	SOLID O/P SHFT-SINGLE EXTN	1	333609	333610	333611	334554	334619
31	LOCK WASHER 56-140	4	275803	275803	275803	275803	275803
	LOCK WASHER 180-210	4	-----	-----	275855	275853	275853
32	HEX HD CAP SCR MTR 56-140	4	51929	51929	51929	51929	51929
	HEX HD CAP SCR MTR 180-210	4	411631-63-A	411631-63-A	411631-58-X	334896	334896
	HEX HD CAP SCR MTR 250	4	-----	-----	-----	276446	276446
33	OUTPUT BORE PLUG	1	334247	334246	334254	334251	334252
34	TIG2 SEAL, OUTPUT	1	334273	334274	334275	334277	334278
35	KEY	1	333695	333705	333716	55127	55127

(1) 250TC adpt plate bolts onto 180-210 motor adapter.

(2) Adpt plate 07906722AB bolts onto 56-140 adpt and accepts 180 motor. Adpt 333231 is one piece complete and accepts 180 or 210 motor.

(3) Order qty 2 (gal) of p/n 334862.

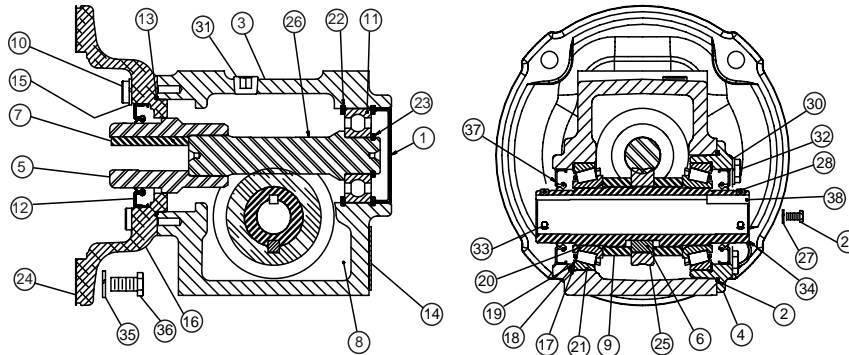
(4) Frame size 250 uses qty 2.

FEATURES/BENEFITS PAGE 3	SPECIFICATION PAGE 6	NOMENCLATURE PAGE 7	MODIFICATION / ACCESSORIES PAGE 78
-----------------------------	-------------------------	------------------------	---------------------------------------



## RENEWAL PARTS

### TIGEAR-2 Quill Input / Hollow Output Sizes 13 - 23



Ref No	Description	Qty	13	15	17	20	23
			Part Number	Part Number	Part Number	Part Number	Part Number
1	I/P RIBBED BORE PLUG	1	276005	276005	276001	276001	276002
2	O-RING	1	276019	276019	276134	276355	334307
3	TIG2 HOLLOW GEARCASE	1	333218	333219	333220	333221	333222
4	T2 HOLLOW BRG HOUSING	1	333281	333281	333282	333283	333284
5	QUILL CPLG	1	See Gear Chart	See Gear Chart	See Gear Chart	See Gear Chart	See Gear Chart
6	SOLID GEAR KEY	1	333650	333650	333666	333671	333686
7	DRIV-LOK KEY 56-140	1	333698	333698	333667	333667	333698
	DRIV-LOK KEY 180TC	1	----	----	----	----	333707
	DRIV-LOK KEY 210TC	1	----	----	----	----	----
	DRIV-LOK KEY 250TC	1	----	----	----	----	----
8	TIGEAR 2 LUBRICANT	1	334863	334863	334863	334863	334862
9	TIG2 HOLLW O/P SPACER	2	333733	333734	333735	333736	333737
10	SOCKET HEAD CAP SCREW	4	333801	333801	333801	333801	51492
11	BALL BRG.	1	334218	334218	334219	334219	334220
12	TIG2 SEAL, INPUT 56-140	1	334274	334274	334274	334274	334276
	TIG2 SEAL, INPUT 180-210	1	----	----	----	----	----
13	O-RING. NITRILE	1	334301	334301	334301	334301	276355
14	TIGEAR 2 NAMEPLATE FIN	1	334305	334305	334305	334305	334305
15	MED LOCKWASHER	4	419010	419010	419010	419010	275803
16	MOTOR ADAPTER T2 56-140	1	333228	333228	333228	333228	333229
	MOTOR ADPT, 180-210TC (1)	1	----	----	----	----	079067-22-AB
	MOTOR ADPT PLATE 250TC (2)	1	----	----	----	----	----
17-19	SHIM KIT	1	411623-33-B	411623-33-B	335330	411623-33-C	335331

(1) Adpt plate 07906722AB bolts onto 56/140 adpt & accepts 180 motor. Adpt 333231 is one piece complete and accepts 180 or 210 motor.

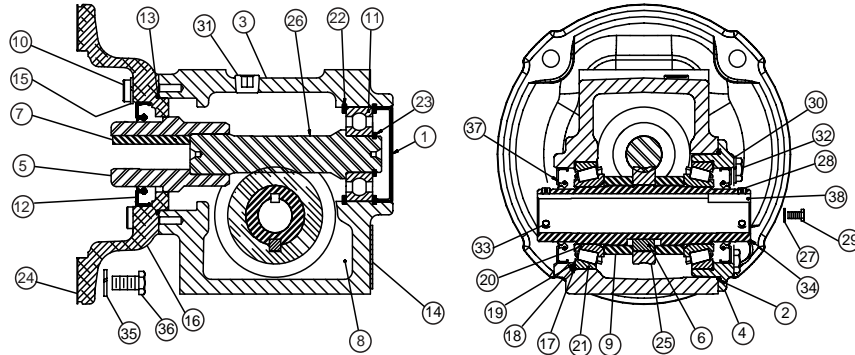
(2) Adapter plate bolts onto 180-210 adapter 333231.

(3) Frame size 250 uses qty 2.

FEATURES/BENEFITS PAGE 3	SPECIFICATION PAGE 6	NOMENCLATURE PAGE 7	MODIFICATION / ACCESSORIES PAGE 78
-----------------------------	-------------------------	------------------------	---------------------------------------

# RENEWAL PARTS

## TIGEAR-2 Quill Input / Hollow Output Sizes 13 - 23



Ref No	Description	13					15					17					20					23				
		Qty	Part Number	Part Number	Part Number	Part Number	Part Number	Part Number	Part Number	Part Number	Part Number	Part Number	Part Number	Part Number	Part Number	Part Number	Part Number	Part Number	Part Number	Part Number	Part Number	Part Number				
20-21	BEARIN CUP/CONE ASSEMBLY	2	411626-01-A	411626-01-A	335338	335339	335340																			
22	INTERNAL RET RING	2	411637-02-AV	411637-02-AV	58256	58256	411637-01-A																			
23	EXTERNAL RET RING	1	411637-02-E	411637-02-E	411637-02-AY	411637-02-AY	411637-02-N																			
24	56/140 M/A. GASKET	1	602028-43-F	602028-43-F	602028-43-F	602028-43-F	602028-43-F																			
	MOTOR ADPT GASKET 180-210-250 (3)	1	----	----	----	----	276335																			
25	TIG2 HOLLOW GEAR	1	See Gear Chart	See Gear Chart	See Gear Chart	See Gear Chart	See Gear Chart																			
26	TIG2 WORMSHAFT	1	See Gear Chart	See Gear Chart	See Gear Chart	See Gear Chart	See Gear Chart																			
27	MED LOCKWASHER	2	419007	419007	419007	419007	419009																			
28	SET SCREW	2	400140	400140	400140	400140	400140																			
29	HEX HEAD CAP SCREW	2	58270	58270	333800	333800	51302																			
30	MED LOCKWASHER	4	419009	419009	419010	419010	275803																			
31	PIPE PLUG 1/4" OC.	2	411647-34-B	411647-34-B	411647-34-B	411647-34-B	411647-34-B																			
32	HEX HEAD CAP SCREW	4	51302	51302	411405	411405	51929																			
33	SET SCREW	4	275953	275953	275953	275953	275953																			
34	TIG2 HOLLOW O/P SHAFT	1	333629	333629	333631	334789	333633																			
35	LOCK WASHER 56-140	4	275803	275803	275803	275803	275803																			
	LOCK WASHER 180	4	----	----	----	----	----																			
36	HEX HEAD CAP SCREW	4	51492	51492	51929	51492	51929																			
	SHCS MTR MOUNTING 180-210	4	----	----	----	----	411631-63-A																			
	SHCS MTR MOUNTING 250	4	----	----	----	----	----																			
37	SEAL TIGEAR 2, OUTPUT	2	334273	334273	334274	334276	334277																			
38	OUTPUT KEY	1	54783	54783	55025	55025	333687																			

(1) Adpt plate 07906722AB bolts onto 56/140 adpt & accepts 180 motor. Adpt 333231 is one piece complete and accepts 180 or 210 motor.

(2) Adapter plate bolts onto 180-210 adapter 333231.

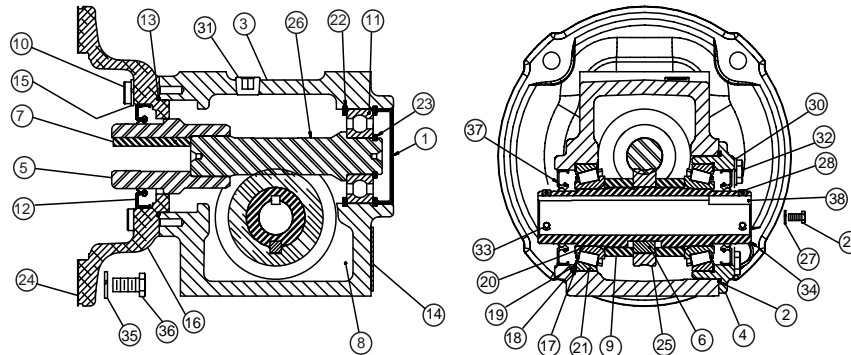
(3) Frame size 250 uses qty 2.

FEATURES/BENEFITS PAGE 3	SPECIFICATION PAGE 6	NOMENCLATURE PAGE 7	MODIFICATION / ACCESSORIES PAGE 78
-----------------------------	-------------------------	------------------------	---------------------------------------



## RENEWAL PARTS

### TIGEAR-2 Quill Input / Hollow Output Sizes 26 - 47



Ref No	Description	Qty	26	30	35	40	47
			Part Number	Part Number	Part Number	Part Number	Part Number
1	I/P RIBBED BORE PLUG	1	334248	276004	276007	334250	334253
2	O-RING	1	334302	334308	276358	334313	334315
3	TIG2 HOLLOW GEARCASE	1	333223	333224	333225	334507	334577
4	T2 HOLLOW BRG HOUSING	1	333285	333286	333287	334512	334582
5	QUILL CPLG	1	See Gear Chart	See Gear Chart	See Gear Chart	See Gear Chart	See Gear Chart
6	SOLID GEAR KEY	1	333670	333712	333717	334564	334624
7	DRIV-LOK KEY 56-140	1	333698	333698	333715	334557	-----
	DRIV-LOK KEY 180TC	1	333707	333707	333707	334558	334558
	DRIV-LOK KEY 210TC	1	-----	-----	333721	334559	334559
	DRIV-LOK KEY 250TC	1	-----	-----	-----	334560	334560
8	TIGEAR 2 LUBRICANT	1	334862	334862	334862	334862	334862
9	TIG2 HOLLW O/P SPACER	2	333738	333739	333740	334566	334626
10	SOCKET HEAD CAP SCREW	4	51492	51492	334374	334374	334374
11	BALL BRG.	1	334221	334222	334223	334224	334225
12	TIG2 SEAL, INPUT 56-140	1	334276	334276	334276	334276	334276
	TIG2 SEAL, INPUT 180-210	1	-----	-----	334279	334279	334279
13	O-RING. NITRILE	1	276355	276355	334302	334302	334302
14	TIGEAR 2 NAMEPLATE FIN	1	334305	334305	334305	334305	334305
15	MED LOCKWASHER	4	275803	275803	275855	275855	275855
16	MOTOR ADAPTER T2 56-140	1	333229	333229	334759	334759	-----
	MOTOR ADPT, 180-210TC (1)	1	079067-22-AB	079067-22-AB	333231	333231	333231
	MOTOR ADPT PLATE 250TC (2)	1	-----	-----	-----	334570	334570
17-19	SHIM KIT	1	335332	335333	335333	335334	335335

(1) Adpt plate 07906722AB bolts onto 56/140 adpt & accepts 180 motor. Adpt 333231 is one piece complete and accepts 180 or 210 motor.

(2) Adapter plate bolts onto 180-210 adapter 333231.

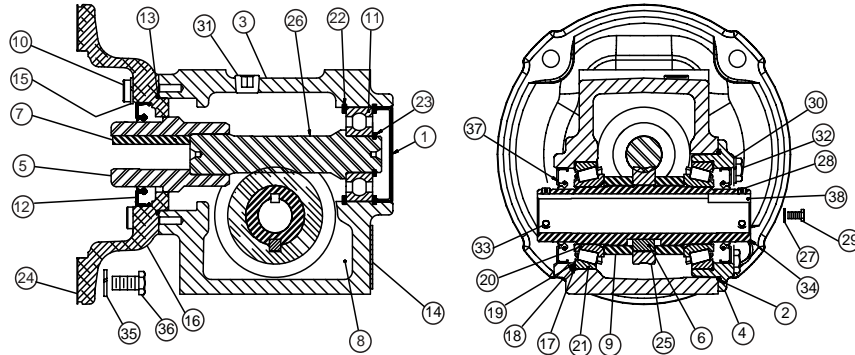
(3) Frame size 250 uses qty 2.

FEATURES/BENEFITS PAGE 3	SPECIFICATION PAGE 6	NOMENCLATURE PAGE 7	MODIFICATION / ACCESSORIES PAGE 78
-----------------------------	-------------------------	------------------------	---------------------------------------



# RENEWAL PARTS

## TIGEAR-2 Quill Input / Hollow Output Sizes 26 - 47



Ref No	Description	Qty	26	30	35	40	47
			Part Number	Part Number	Part Number	Part Number	Part Number
20-21	BEARIN CUP/CONE ASSEMBLY	2	411626-01-BJ	335341	335341	335342	335343
22	INTERNAL RET RING	2	278715	411637-02-AC	278717	51334	51335
23	EXTERNAL RET RING	1	411637-02-AP	411637-02-AR	411637-02-BA	334404	333933
24	56/140 M/A. GASKET	1	602028-43-F	602028-43-F	602028-43-F	602028-43-F	-----
	MOTOR ADPT GASKET 180-210-250 (3)	1	276335	276335	276335	276335	276335
25	TIG2 HOLLOW GEAR	1	See Gear Chart	See Gear Chart	See Gear Chart	See Gear Chart	See Gear Chart
26	TIG2 WORMSHAFT	1	See Gear Chart	See Gear Chart	See Gear Chart	See Gear Chart	See Gear Chart
27	MED LOCKWASHER	2	419009	419009	419009	419009	419009
28	SET SCREW	2	400140	400140	400140	400140	275953
29	HEX HEAD CAP SCREW	2	51302	411397	411396	411396	411402
30	MED LOCKWASHER	4	275803	275855	275855	419036	419036
31	PIPE PLUG 1/4" SOC.	2	411647-34-B	411647-34-B	411647-34-B	411647-34-B	411647-34-B
32	HEX HEAD CAP SCREW	4	51929	51952	51952	411483	411484
33	SET SCREW	4	275962	275954	275954	333805	333805
34	TIG2 HOLLOW O/P SHAFT	1	333634	333635	333636	334556	334621
35	LOCK WASHER 56-140	4	275803	275803	275803	275803	-----
	LOCK WASHER 180	4	-----	-----	-----	275853	275853
36	HEX HEAD CAP SCREW	4	51929	51929	51929	51929	-----
	SHCS MTR MOUNTING 180-210	4	411631-63-A	411631-63-A	411631-58-X	334896	334896
	SHCS MTR MOUNTING 250	4	-----	-----	-----	276446	276446
37	SEAL TIGEAR 2, OUTPUT"	2	334278	334279	334279	334280	334281
38	OUTPUT KEY	1	333687	333709	333709	334563	334623

(1) Adpt plate 07906722AB bolts onto 56/140 adpt & accepts 180 motor. Adpt 333231 is one piece complete and accepts 180 or 210 motor.

(2) Adapter plate bolts onto 180-210 adapter 333231.

(3) Frame size 250 uses qty 2.

FEATURES/BENEFITS PAGE 3	SPECIFICATION PAGE 6	NOMENCLATURE PAGE 7	MODIFICATION / ACCESSORIES PAGE 78
-----------------------------	-------------------------	------------------------	---------------------------------------