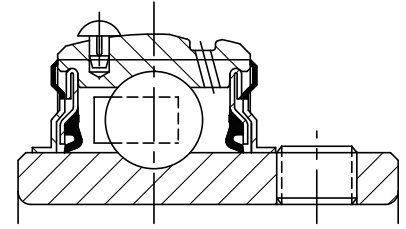
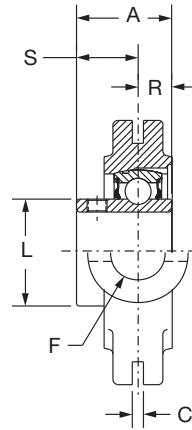
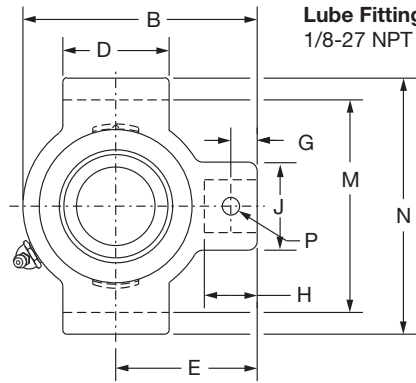


SELECTION/DIMENSIONS



Setscrew Ball Bearings SC NORMAL DUTY NARROW SLOT TAKE-UP BEARINGS



Series	Shaft Size	Standard		Sealed For Life	
		Part No.	Description	Part No.	Description
208	1-1/2	125156	NSTU-SC-108	@	NSTU-SC-108-NL
	1-5/8	125370	NSTU-SC-110	@	NSTU-SC-110-NL
	40mm	125904	NSTU-SC-40M	@	NSTU-SC-40M-NL
209	1-5/8	065593	NSTU-SC-110L	@	NSTU-SC-110L-NL
	1-11/16	125157	NSTU-SC-111	052939	NSTU-SC-111-NL
	1-3/4	125371	NSTU-SC-112	068184	NSTU-SC-112-NL
	45mm	125905	NSTU-SC-45M	@	NSTU-SC-45M-NL
210	1-15/16	125158	NSTU-SC-115	125159	NSTU-SC-115-NL
	2	125372	NSTU-SC-200	068659	NSTU-SC-200-NL
	50mm	125906	NSTU-SC-50M	@	NSTU-SC-50M-NL
211	2	135171	NSTU-SCM-200	@	NSTU-SCM-200-NL
	2-3/16	125160	NSTU-SC-203	@	NSTU-SC-203-NL
	2-1/4	125373	NSTU-SC-204	@	NSTU-SC-204-NL
	55mm	125907	NSTU-SC-55M	@	NSTU-SC-55M-NL
212	2-1/4	135172	NSTU-SCM-204	126544	NSTU-SCM-204-NL
	2-7/16	125162	NSTU-SC-207	073430	NSTU-SC-207-NL
	60mm	125908	NSTU-SC-60M	@	NSTU-SC-60M-NL

@ Assembled to order
See B15-9 for Take-Up Frames

Series	Shaft Size	Weight lbs. kgs.	Take-Up Frame No. Ref.	A	B	C*	D	E	F Screw Dia	G	H	J	L	M	N	P Pin Dia	R	S
208	1-1/2	4.7	NS400	1.94	5.38	0.313	3.00	3.25	7/8	0.66	1.16	1.63	2.05	4.015/3.985	4.75	0.38	0.75	1.19
	1-5/8	4.6		49.3	136.7	7.95	76.2	82.6	22.2	16.8	29.5	41.4	52.1	101.98/101.22	120.7	9.7	19.1	30.2
	40mm	2.1		49.3	136.7	7.95	76.2	82.6	22.2	16.8	29.5	41.4	52.1	101.98/101.22	120.7	9.7	19.1	30.2
209	1-5/8	4.9	NS400	1.94	5.44	0.313	3.00	3.25	7/8	0.72	1.22	1.63	2.22	4.015/3.985	4.75	0.38	0.75	1.19
	1-11/16	4.8		49.3	138.2	7.95	76.2	82.6	22.2	18.3	31.0	41.4	56.4	101.98/101.22	120.7	9.7	19.1	30.2
	1-3/4	4.7		49.3	138.2	7.95	76.2	82.6	22.2	18.3	31.0	41.4	56.4	101.98/101.22	120.7	9.7	19.1	30.2
	45mm	2.1		49.3	138.2	7.95	76.2	82.6	22.2	18.3	31.0	41.4	56.4	101.98/101.22	120.7	9.7	19.1	30.2
210	1-15/16	4.9	NS400	1.94	5.50	0.313	3.00	3.25	7/8	0.59	1.09	1.63	2.43	4.015/3.985	4.75	0.38	0.75	1.19
	2	4.8		49.3	139.7	7.95	76.2	82.6	22.2	15.0	27.7	41.4	61.7	101.98/101.22	120.7	9.7	19.1	30.2
	50mm	2.2		49.3	139.7	7.95	76.2	82.6	22.2	15.0	27.7	41.4	61.7	101.98/101.22	120.7	9.7	19.1	30.2
211	2	6.8	NS407	2.22	6.13	0.313	3.50	3.63	1	0.69	1.28	1.75	2.71	4.448/4.418	5.38	0.44	0.87	1.35
	2-3/16	6.6		56.4	155.7	7.95	88.9	92.2	25.4	17.5	32.5	44.5	68.8	112.98/112.22	136.7	11.2	22.1	34.3
	2-1/4	6.5		56.4	155.7	7.95	88.9	92.2	25.4	17.5	32.5	44.5	68.8	112.98/112.22	136.7	11.2	22.1	34.3
212	55mm	3.0	NS415	2.31	6.69	0.313	3.75	3.88	1	0.69	1.28	1.63	2.97	4.947/4.917	5.75	0.44	0.90	1.41
	2-1/4	8.7		58.7	169.9	7.95	95.3	98.6	25.4	17.5	32.5	41.4	75.4	125.65/124.89	146.1	11.2	22.9	35.8
	2-7/16	8.4		58.7	169.9	7.95	95.3	98.6	25.4	17.5	32.5	41.4	75.4	125.65/124.89	146.1	11.2	22.9	35.8
	60mm	4.9																

#+.010, -.020" +.25mm, -.50mm

FEATURES/BENEFITS PAGE B4-3	HOW TO ORDER/NOMENCLATURE PAGE B4-5	SELECTION PAGE B4-6	ACCESSORIES PAGE B4-98
--------------------------------	--	------------------------	---------------------------