



# DIMENSIONS

## S-2000 Bearing Insert

Bearing Reference Guide

E-Family Roller Bearings

Specialty Tapered Products

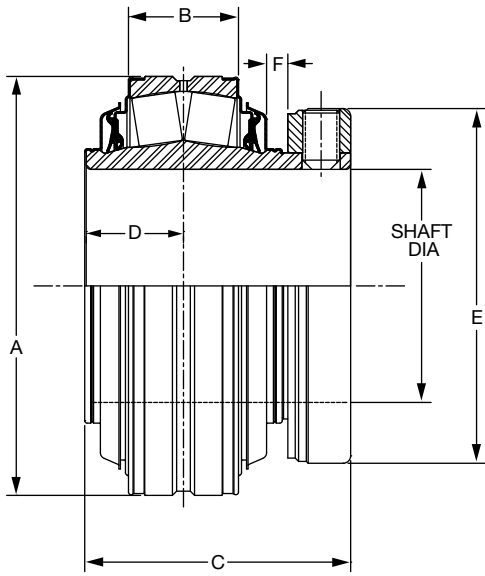
S-2000

UNISPHERE II

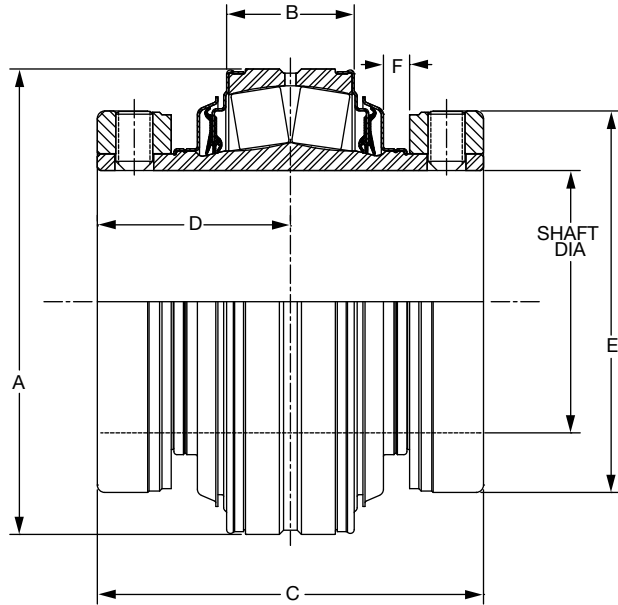
IMPERIAL

UNIFIED SAF

### CONTACT SEAL

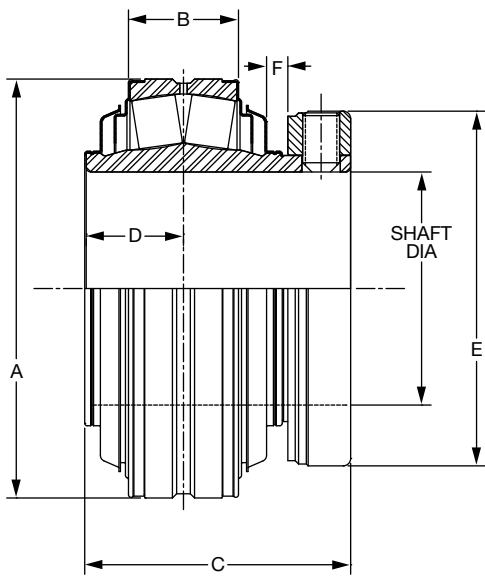


1-3/8 THRU 3-15/16" CONSTRUCTION

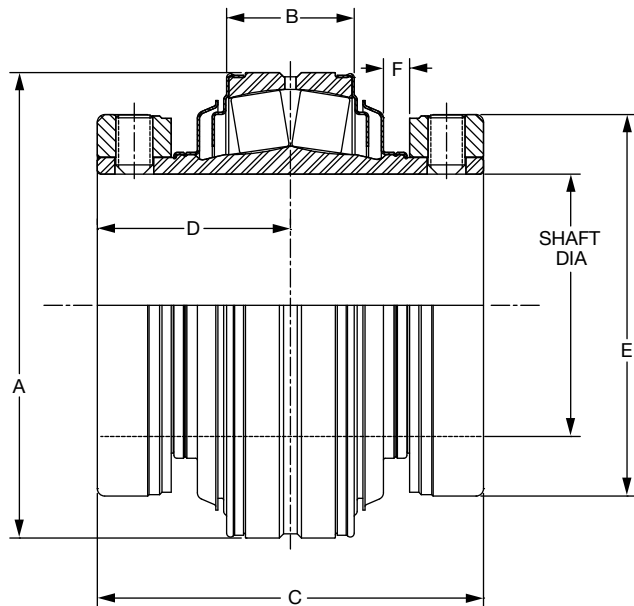


4-7/16 THRU 4-15/16" CONSTRUCTION

### LABYRINTH SEAL



1-3/8 THRU 3-15/16" CONSTRUCTION



4-7/16 THRU 4-15/16" CONSTRUCTION

FEATURES/BENEFITS PAGE B12-2	SPECIFICATION PAGE B12-4	HOW TO ORDER/NOMENCLATURE PAGE B12-4	SELECTIONS PAGE B12-7
---------------------------------	-----------------------------	---	--------------------------



# DIMENSIONS

## S-2000 Bearing Insert

Bearing	Shaft Size	TRIDENT Seal		Labyrinth Seal	
		Part Number	Part Name	Part Number	Part Name
22208	1-3/8	<b>070000</b>	INS-S2-106R	<b>070016</b>	INS-S2-106L
	1-7/16	<b>070001</b>	INS-S2-107R	<b>070017</b>	INS-S2-107L
	1-1/2	<b>070002</b>	INS-S2-108R	<b>070018</b>	INS-S2-108L
22209	1-11/16	<b>070003</b>	INS-S2-111R	<b>070019</b>	INS-S2-111L
	1-3/4	<b>070004</b>	INS-S2-112R	<b>070020</b>	INS-S2-112L
22210	1-15/16	<b>070005</b>	INS-S2-115R	<b>070021</b>	INS-S2-115L
	2	<b>070006</b>	INS-S2-200R	<b>070022</b>	INS-S2-200L
22211	2-3/16	<b>070007</b>	INS-S2-203R	<b>070023</b>	INS-S2-203L
22213	2-7/16	<b>070008</b>	INS-S2-207R	<b>070024</b>	INS-S2-207L
22215	2-11/16	<b>070009</b>	INS-S2-211R	<b>070025</b>	INS-S2-211L
	2-15/16	<b>070010</b>	INS-S2-215R	<b>070026</b>	INS-S2-215L
	3	<b>070011</b>	INS-S2-300R	<b>070027</b>	INS-S2-300L
22218	3-7/16	<b>070012</b>	INS-S2-307R	<b>070028</b>	INS-S2-307L
22220	3-15/16	<b>070013</b>	INS-S2-315R	<b>070029</b>	INS-S2-315L
22222	4-7/16	<b>070014</b>	INS-S2-407R	<b>070030</b>	INS-S2-407L
22226	4-15/16	<b>070015</b>	INS-S2-415R	<b>070031</b>	INS-S2-415L

Shaft Size	A	B	C	D	E
1-3/8					
1-7/16	3.15	0.95	2.53	0.97	2.66
1-1/2					
1-11/16	3.35	0.95	2.66	0.95	3.10
1-3/4					
1-15/16	3.54	0.95	2.84	1.00	3.34
2					
2-3/16	3.94	1.05	2.94	1.05	3.66
2-7/16	4.72	1.28	3.20	1.21	3.97
2-11/16					
2-15/16	5.12	1.28	3.59	1.22	4.63
3					
3-7/16	6.30	1.63	4.00	1.48	5.50
3-15/16	7.10	1.88	4.48	1.65	6.00
4-7/16	7.87	2.16	6.53	3.27	6.45
4-15/16	9.10	2.59	6.91	3.45	7.45

FEATURES/BENEFITS PAGE B12-2	SPECIFICATION PAGE B12-4	HOW TO ORDER/NOMENCLATURE PAGE B12-4	SELECTIONS PAGE B12-7
---------------------------------	-----------------------------	---	--------------------------