

A close-up photograph of a Dodge bearing assembly. The bearing is mounted on a metal shaft, and a large bolt and nut are visible. The bearing housing has "DODGE" and "USA" stamped on it. The background is a blurred industrial setting with blue and orange lighting.

DODGE[®]

BEARING ENGINEERING CATALOG

- Mounted Ball Bearings
- Take-Up Frames

BALDOR[®]
A MEMBER OF THE ABB GROUP

To receive a copy of the Dodge® Bearing Engineering Catalog, Dodge Gearing Engineering Catalog, Dodge Power Transmission Components Engineering Catalog, or Dodge Product Manuals, contact your local authorized Dodge Distributor or www.baldor.com.

MEMBER OF...



AMERICAN GEAR MANUFACTURERS ASSOCIATION



MECHANICAL POWER TRANSMISSION ASSOCIATION



AMERICAN BEARING MANUFACTURERS ASSOCIATION



PARTICIPATING MANUFACTURER BEARING SPECIALISTS ASSOCIATION



POWER TRANSMISSION DISTRIBUTORS ASSOCIATION



CONVEYOR MANUFACTURERS ASSOCIATION



HYDRAULIC INSTITUTE



Dodge Products are
Manufactured in
ISO 9002 Certified Plants

Prices and data indicated in this document are for your convenience and were correct at time of printing with the exception of clerical and/or printing errors. Possession of this document by any person or company is not to be construed as an offer to sell to him or to anyone else the goods listed herein at the prices stated.

ALL DATA AND PRICES ARE SUBJECT TO CHANGE WITHOUT NOTICE and shall be subject to those prices in effect at time of shipments. All published and quoted prices are based upon the application of, and all sales are expressly subject to, the Company's Standard Terms and Conditions of Sales are available upon request. This document supersedes all previously published catalog/pricing documents.

WARNING

The information provided for Product Interchange in this catalog is for use only as a general reference by persons qualified to recognize unreasonable selection options. Products suggested as substitutes may have dimensional, rating, pricing and other differences from products to be replaced. This selection method must be used in conjunction with the applicable product catalog which contains important precautions and other pertinent information.

In illustrations throughout this catalog, safety guards have been removed for photographic purposes.

© 2012 Baldor Electric Company

WARNING: Because of the possible danger to person(s) or property from accidents which may result from the improper use of products, it is important that correct procedures be followed: Products must be used in accordance with the engineering information specified in the catalog. Proper installation, maintenance and operation procedures must be observed. The instructions in the instruction manuals must be followed. Inspections should be made as necessary to assure safe operation under prevailing conditions. Proper guards and other suitable safety devices or procedures as may be described or as may be specified in safety codes should be provided, and are neither provided by Baldor Electric Company nor are the responsibility of Baldor Electric. This unit and its associated equipment must be installed, adjusted and maintained by qualified personnel who are familiar with the construction and operation of all equipment in the system and the potential hazards involved. When risk to persons or property may be involved, a holding device must be an integral part of the driven equipment beyond the speed reducer output shaft.

CONTENTS

DODGE BEARING CATALOG

CA3000A VOL. A

REFERENCE GUIDE.....	REFERENCE GUIDE-1
ULTRA KLEEN	B1-1
E-Z KLEEN	B2-1
EXTREME DUTY.....	B3-1
SETSCREW - SC/SCM	B4-1
GRIP TIGHT - GT/GTM	B5-1
D-LOK - DL/DLM	B6-1
ECCENTRIC COLLAR - SXR	B7-1
SETSCREW VSC	B8-1
ECCENTRIC COLLAR - SXV	B9-1
TAKE-UP FRAMES.....	B19-1
ENGINEERING.....	B20-1
Part Number Index.....	INDEX-1
Key Word Index	KEYWORD-1

CA3000B VOL. B

REFERENCE GUIDE.....	REFERENCE GUIDE-1
E-FAMILY	B10-1
SPECIALITY TAPERED.....	B11-1
S-2000	B12-1
UNISPHERE.....	B13-1
IMPERIAL	B14-1
UNIFIED SAF	B15-1
PLUMMER BLOCKS	B16-1
SLEEVE BEARINGS.....	B17-1
SLEEVOIL.....	B18-1
TAKE-UP FRAMES.....	B19-1
ENGINEERING.....	B20-1
Part Number Index.....	INDEX-1
Key Word Index	KEYWORD-1

REFERENCE GUIDE

ULTRA KLEEN - SS Inserts Ball Bearings Page B1-1

- 440C Stainless steel inserts
- Polymer and stainless housings
- 65° Setscrew
- 3/4" - 2" Bore
- 20-50mm Metric bore
- QuadGuard Seal
- Stainless Balls
- Maxlife Cage
- Snap-in style end covers available from stock
- Nomenclature: P2B-SCEZ-100-PSS
 - PSS = Polymer Housing, Stainless Insert
 - SHSS = Stainless Housing, Stainless insert



E-Z KLEEN Ball Bearings Page B2-1

- Two types: polymer housed units and stainless steel housed units
- Two inserts: corrosion resistant (comparable to 440 stainless steel) and standard steel insert with flingers
- Three locking styles: 65° setscrew angle (SC), concentric clamp collar (GT), and thin wall adapter (GT)
- QuadGuard seal
- Snap-in style end covers available from stock
- Maxlife cage
- Optional—BEV modification for the beverage industry
- Interchangeable mounting dimensions with most competitive products
- Anti-rotation device prevents insert rotation associated with light or rotating loads/high-speed applications
- Plus or minus 2° static misalignment



Polymer-Housed Polymer Sleeve Bearings Page B2-1

- Polymer housing contains additive that prevents bacterial and fungal growth
- All polymer and stainless steel construction
- Solid polymer housing has no cavities and no fillings
- Conforms to FDA /USDA specifications
- Polymer sleeve insert with stainless steel anti-rotation pin
- No lubrication required, self-lubricated polymer sleeve insert for maintenance-free operation
- Offered in a wide variety of housing configurations and all popular bore sizes
- Operates in temperatures from -40°F to 180°F
- 3/4 - 1-15/16 size



Extreme Duty / SCED SCMED Ball Bearings Page B3-1

- Synthetic grease / Mobilith SHC 220 PM
- QuadGuard seal
- Maxlife cage
- Snap-in style end covers available from stock
- 65° Setscrew
- Other shaft attachment methods are available upon request
- Wide inner ring design
- Anti-Rotation Pin to prevent insert from spinning in housing
- Grade 10 balls
- Bore Range
 - SC-3/4" to 2-15/16 " 20mm to 75mm
 - SCM-1" to 3-1/2", 25mm to 85mm



REFERENCE GUIDE

Bearing Reference Guide

ULTRA KLEEN

E-Z KLEEN

Extreme Duty

Setscrew Ball Bearing

GRIP TIGHT

D-LOK Ball Bearing

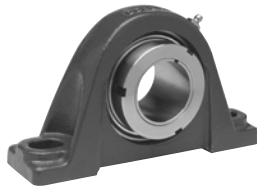
Setscrew Ball Bearings Page B4-1

- Two types: normal duty SC, medium duty SCM
- DualGuard seal - comprised of single lip seal and rubberized flinger - standard on all SC/SCM ball bearings. LL Lo Torque Labyrinth seals optional.
- Snap in end covers available from stock for most popular cast housings.
- Interchangeable mounting dimensions with most competitive products
- 65° setscrew angle for greater holding power and ease of installation in confined areas
- Anti-rotation device on SC and SCM bearings prevents insert rotation associated with light or rotating loads/ high-speed applications
- Expansion and non-expansion pillow blocks available for popular SC shaft sizes
- High-temperature option available to 400°F on SC and SCM
- Plus or minus 2° static misalignment



GRIP TIGHT Ball Bearings Page B5-1

- Two types: normal duty GT and medium duty GTM
- DualGuard seal - comprised of single lip seal and rubberized flinger - standard on all GT/GTM ball bearings. LL Lo Torque Labyrinth seals optional
- Snap in end covers available from stock for most popular cast housings
- Interchangeable mounting dimensions with most competitive setscrew, eccentric clamp collar products
- Thin Wall Adapter mounting offers 360° full shaft contact and concentricity. No shaft marring or fretting corrosion like setscrew and eccentric collar products. Integral dismount feature easily removes the bearing from the shaft. Turned, ground, and polished shafting is not required.
- Anti-rotation device prevents insert rotation associated with heavy loads, vibration, unbalanced loads, and high-speed applications
- Expansion pillow blocks available for popular shaft sizes
- High-temperature option available to 400°F
- Plus or minus 2° static misalignment



D-LOK Ball Bearings Page B6-1

- Two types: normal duty DL and medium duty DLM
- DualGuard seal - comprised of single lip seal and rubberized flinger - standard on all DL/DLM ball bearings. LL Lo Torque Labyrinth seals optional
- Snap in end covers available from stock for most popular cast housings
- Interchangeable mounting dimensions with most competitive products
- Concentric clamp collar locks the bearing to the shaft by tightening a single Allen wrench cap screw. The bearing will not mar the shaft like setscrew and eccentric collar bearings, providing concentricity between the bearing and shaft
- Anti-rotation device prevents insert rotation associated with light or rotating loads/high-speed applications
- Expansion and non-expansion pillow blocks available for popular shaft sizes
- High-temperature option available to 400°F
- Plus or minus 2° static misalignment



Eccentric Collar Ball Bearings Page B7-1

- Two types: normal duty SXR and SLX
- DualGuard seal - comprised of single lip seal and rubberized flinger - standard on all SXR ball bearings. LL Lo Torque Labyrinth seals optional
- Snap in end covers available from stock for most popular cast housings
- Interchangeable mounting dimensions with most competitive products
- Eccentric collar locks the bearing to the shaft by a quarter turn of the collar in direction of shaft rotation. Collar is secured in place with setscrew
- Anti-rotation device on SXR prevents insert rotation associated with light or rotating loads/high-speed applications
- Expansion and non-expansion pillow blocks available for popular SXR shaft sizes
- High-temperature option available to 400°F on SXR
- Plus or minus 2° static misalignment



Setscrew VSC, SL Ball Bearings Page B8-1

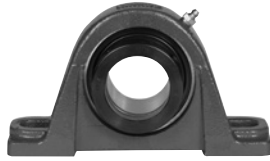
- Intermediate duty
- Wide inner ring
- 65° setscrew
- ProGuard lip seal
- Plus or minus 2° static misalignment



REFERENCE GUIDE

Eccentric SXV Collar, SLX Ball Bearings Page B9-1

- Intermediate duty
- Wide inner ring
- ProGuard lip seal
- Eccentric locking collar
- Plus or minus 2° static misalignment



Air Handling Ball Bearings Page B5-12, B4-16, B6-12

- Thin wall adapter: normal duty GTAH and medium duty GTMAH
- Setscrew: normal duty (SCAH) and medium duty (SCMAH)
Concentric clamp collar: normal duty (DLAH) and medium duty (DLMAH)
- Single-lip contact seal (standard on SCAH and SCMAH), single-lip contact seal with flingers (optional on SCAH and SCMAH, standard on DLAH, DLMAH and GTAH, GTMAH), low-torque labyrinth seal (optional), end covers available from stock
- Interchangeable mounting dimensions with most competitive products
- Anti-rotation device prevents insert rotation associated with light or rotating loads/high-speed applications
- Plus or minus 2° static misalignment
- Expansion and non-expansion pillow blocks available for popular shaft sizes
- High-temperature option available to 400°F



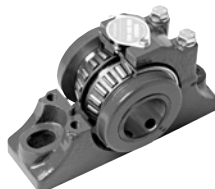
Type E Tapered Roller Bearings (E-XTRA) Page B10-3

- Tapered rolling elements
- Completely assembled, factory adjusted, and properly lubricated—shaft ready
- XTS triple lip seal
- Extra protection—E-TECT™ seal option
- Comparable mounting dimensions with ball bearings
- E-XTRA allows easy upgrade from ball bearings



Type EXL Tapered Roller Bearings Page B10-4

- XTS Triple-Lip Seal
- Up to ± 4° of misalignment capability
- Totally Sealed Inner Unit
- High Strength Ductile Iron Housings
- Available in Expansion and Non-Expansion Housings



Double-Interlock Tapered Roller Bearings Page B10-5

- Tapered roller bearing durability in a variety of styles
- XTS triple lip seal
- Extra protection E-TECT seal option
- Special clearances and greases available
- Self aligning
- Factory assembled, adjusted, and lubricated—shaft ready
- Sealed bearing



Type K Tapered Roller Bearings Page B10-5

- Tapered roller bearing with reduced length through bore
- Single collar design saves space and installation time
- Allows bearing to be closer to the load for reduced shaft design
- Self aligning
- Factory assembled, adjusted, and lubricated—shaft ready
- Same housing as double-interlock
- XTS triple lip seal
- Extra protection - E-TECT™ Seal Option



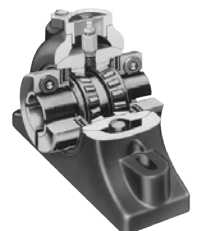
TAF Tapered Roller Bearings Page B10-6

- Tapered bearing is a cost-saving alternative to SAF spherical bearings
- Shaft ready—mounts six times faster than SAF
- Interchangeable with SAF style pillow blocks
- Self aligning, factory assembled, adjusted, and lubricated
- XTS triple lip seal
- E-TECT seal option available up to 5"
- Optional sensors for speed, vibration, and temperature
- Up to 5° static misalignment



Type C Specialty Tapered Bearings Page B11-5

- Two single-row tapered bearings press-fitted on sleeve
- Improved concentricity over other collar-mounted types of bearings
- Steel multiple labyrinth seals
- Rugged two-piece outer housing
- Positive concentric clamp sleeve mounting
- Heavy duty gray iron



REFERENCE GUIDE

Bearing Reference Guide

ULTRA KLEEN

E-Z KLEEN

Extreme Duty

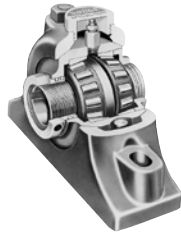
Setscrew Ball Bearing

GRIP TIGHT

D-LOK Ball Bearing

Special Duty Tapered Roller Bearings Page B11-3

- Quality duplex tapered roller bearing
- Tapered adapter sleeve mounting
- Effective piston ring seals
- Rugged two-piece housing
- Heavy duty gray iron



S-2000 Spherical Roller Bearings Page B12-1

- High-capacity, double-row spherical rollers
- Permits static or dynamic misalignment up to +/- 1°
- Factory sealed, lubed, and adjusted
- Features springlok® collar that acts as a flinger
- Available with TRIDENT triple lip or labyrinth seal options
- 65° springlok collar mount for increased holding power vs. 90° or 120°
- Setscrew mounted
- S2000, S2000-E, and S2000-HD housing designs



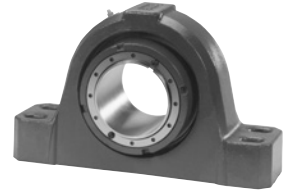
UNISPHERE II Spherical Roller Bearings Page B13-1

- Dimensionally interchangeable with ball bearings in length through bore, base-to-center height, and footprint
- Approximately five times the rating of ball bearings
- Features same rolling elements and installation-ready components as S-2000
- Maintains sealing effectiveness with proven “R” seal
- Tapered seal area maintains seal contact during maximum misalignment
- Springlok collar mount with 65° setscrew spacing for optimum clamping force



Imperial IP Spherical Roller Bearings Page B14-1

- Industry’s only push/pull adapter mount system
- Available in 2-bolt and 4-bolt pillow blocks, flanges, and take-ups
- Accepts commercial tolerance shafting
- Installation and removal in less than 15 minutes
- Full concentric shaft attachment with adaptor sleeve mount
- Virtually eliminates fretting corrosion
- Capable of withstanding static or dynamic misalignment of ± 1°
- Shaft-ready out of the box
- Available with TRIDENT triple lip or labyrinth seal options
- IP, IP-E, IP-HD and ISN housing design



ISAF Spherical Roller Bearings Page B14-10

- Dimensionally interchangeable with SAF style pillow blocks
- Patented Imperial™ adapter mounting system
- Installation and removal in less than 15 minutes
- Easy installation—no feeler gauges needed
- Available with TRIDENT triple lip or labyrinth seal options
- Full 2° misalignment capability
- Virtually eliminates fretting corrosion
- Shaft-ready out of the box, no assembly of components necessary



ISAF HYD Spherical Roller Bearings Page B14-10

- Patented integral hydraulic mounting and dismounting
 - Built in taconite style seals in addition to conventional rubbing seals
 - Four-bolt pillow blocks 5-7/16” through 15”
 - 22232K through 23176K double row spherical bearings
 - Ductile iron housings
- ISNX metric dimensioned housing also available



REFERENCE GUIDE

ISN Spherical Roller Bearings Page B14-1

- Patented ISN “Push/Pull” adapter mounting system
- Eliminates need for feeler gauges
- Easy removal
- Expansion & non-expansion, field convertible
- Triple lip contact seals for wet or dirty applications
- Labyrinth non-contact seals for high speed & high temperature applications



ISNX HYD Spherical Roller Bearings Page B16-20

- Patented integral hydraulic mounting and dismounting
- Built-in taconite style seals in addition to conventional rubbing seals
- Four-bolt plummer blocks for 150mm through 360mm
- 22134K through 23176k double row spherical bearings
- Ductile iron housings



USAF Spherical Roller Bearings Page B15-3

- 22200, 22300, 23000, 23100, and 23200 Series
- Industry-standard dimensions interchangeable with SAF housings
- Five sealing options to match most operating conditions
- Cast-in dimples locate drill holes for lube fitting, vents, sensors, and mounting modifications
- Standard housings have two oversized drains adaptable for circulating oil systems
- Pry slots allow easy separation of the pillow block



Split-Spher Spherical Roller Bearings Page B15-5

- Split-race spherical bearing fits USAF 500 housings and replaces bearing and adapter assemblies
- Easy to replace without removing other shaft-mounted components
- Only split-race bearing made to standard SAF pillow block dimensions
- Has same OD dimensions as a standard spherical bearing
- Uses 22200 Series split roller bearings



SNX Spherical Roller Bearings Page B16-25

- Dimensionally interchangeable plummer block with metric SN housing
- General-purpose, high-capacity, double-row, spherical roller bearings
- Adapter and direct mount
- Five different sealing options to match most operating conditions
- Grease or oil lubrication
- SNX30 from 110mm through 170mm



SDX (cast iron), SDXD (ductile iron) Spherical Roller Bearings Page B16-46

- Metric dimensioned plummer block housing
- Accepts 23000K and 23100K bearings
- Sized from 150mm through 320mm
- Direct seal greasing standard

REFERENCE GUIDE

Bearing Reference Guide

ULTRA KLEEN

E-Z KLEEN

Extreme Duty

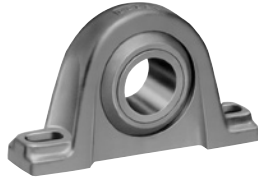
Setscrew Ball Bearing

GRIP TIGHT

D-LOK Ball Bearing

SOLIDLUBE Sleeve Bearings Page B17-2

- Functions in harsh environments where ball bearing will not
- Self-lubricating, statically self aligning
- Covers a wide range of temperature extremes
 - 700 Series: -40°F to 700°F
 - 1000 Series: -200°F to -40°F and 250°F to 1000°F
- Housing types: 2-bolt pillow blocks, 4-bolt and 2-bolt flange units, and take-up units
- Ideal where bearings are subject to dry cycles or where lube systems would be too costly
- Recommended for slow speeds and limited shaft movement applications
- Bore sizes 3/4" to 8"



Babbitted & Bronze Bushed Sleeve Bearings Page B17-3

- Good for slow to medium and shock loads
- Good for slow speeds and shock loads
- Capable of MPTA load ratings
- Cast-iron housings in 2- and 4-bolt pillow blocks
- Babbitted bearing features solid or fully split housing
- Bronze bushed bearing features fully split housing
- Bronze bushing is split and easily replaced



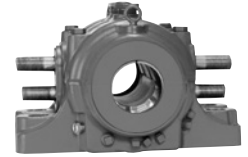
BRONZOIL Sleeve Bearings Page B17-2

- Self Oiling Bushing Feeds Oil to Shaft
- Split Pressed Steel Housing
- Statically Self-Aligning
- Bushing Shoulder Provides Self-Lubricating Bearing Thrust Surface
- Slotted Bolt Holes
- Oil Resistant Rubber Grommets Available for Sound Isolation and Static Electricity Protection



SLEEVOIL R Series Hydrodynamic Pillow Block Bearings Page B18-1

- Extended life (no metal-to-metal contact during operation)
- Handles high speeds
- Dampens vibration, provides quiet operation
- Fully split for ease of maintenance
- Self aligning
- Thrust capability
- External cooling (air, water, or oil) available for hot shafts



SLEEVOIL RTL Series Hydrodynamic Pillow Block Bearings Page B18-1

- Extended life (no metal-to-metal contact during operation)
- Handles high speeds
- Dampens vibration, provides quiet operation
- Fully split for ease of maintenance
- Self aligning
- Three times the thrust load capability of R Series
- External cooling (air, water, or oil) available for hot shafts



SLEEVOIL Oil Level & Filtration System (OLF) Page B18-30

- Maintains proper oil level while bearing is running
- Increases bearing performance and life
- Allows even oil distribution and cooler operating temperatures
- Ensures filtered clean oil
- Permits easy filter change while bearing is operating



REFERENCE GUIDE

Take-Up Frames

Page B19-1

- 6 take-up frame types available from stock
- Standard take-up frame travel from 1-1/2" to 60"
- Take-up frames allow for the mounting of Dodge ball, roller, and sleeve bearings
- Take-up frame capacity is pre-engineered to exceed bearing capacity
- Made to provide/maintain tension and shaft centers on a variety of belt and chain-type conveyors
- Hydraulic and pneumatic tensioning available



Smart Products

Page B10-67, B14-103, B15-54

- Online monitoring of temperature, vibration, and speed
- Plug and play installation
- Available on TAF, USAF, and ISAF



BALL BEARING INDEX

Bearing Reference Guide

ULTRA KLEEN

E-Z KLEEN

Extreme Duty

Setscrew Ball Bearing

GRIP TIGHT

D-LOK Ball Bearing

		HOUSING					
		P2B-	TB-	F2B-	LFT-	FB-	LF- / F3B-
I N S E R T S	 GT- / GTEZ- / GTM-	P2B-GT-B5-8 P2B-GTEZ -PCR-B2-44 -SHCR-B2-26 P2B-GTM-B5-20	TB-GT-B5-24 TB-GTEZ -PCR-B2-50	F2B-GT-B5-24 F2B-GTEZ -PCR-B2-54 -SHCR-B2-30 F2B-GTM-B5-30		FB-GT-B5-33 FB-GTEZ -PCR-B2-58	
	 SC- / SCM- / SL-	P2B-SC-B4-12 P2B-SCRZ -PCR-B2-46 -SHCR-B2-26 P2B-SCM-B4-26 P2B-SL-B4-30	TB-SC-B4-32 TB-SCEZ-B2-29	F2B-SC-B4-34 F2B-SCEZ -PCR-B2-56 -SHCR-B2-31 F2B-SCM-B4-42 F2B-SL-B4-48	LFT-SC-B4-46 LFT-SCEZ-B2-33	FB-SC-B4-50 FB-SCRZ -PCR-B2-59 -SHCR-B2-34	LF-SC-B4-52 LF-SCEZ-B2-33 F3B-SL-B4-53
	 VSC-	P2B-VSC-B8-8		F2B-VSC-B8-14			
	 SXR-	P2B-SXR-B7-12	TB-SXR-B7-22	F2B-SXR-B7-24			
	 SXV-	P2B-SXV-B4-6	TB-SXV-B9-12	F2B-SXV-B9-16	LFT-SXV-B9-18		LF-SXV-B9-22
	 DL- / DLEZ- / DLM-	P2B-DL-B6-10 P2B-DLEZ -PCR-B2-48 -SHCR-B2-28 P2B-DLM-B6-18	TB-DL-B6-22 TB-DLEZ-PCR-B2-52	F2B-DL-B6-26 F2B-DLEZ -PCR-B2-57 -SHCR-B2-32 F2B-DLM-B6-30	LFT-DL-B6-31	FB-DL-B6-33 FB-DLEZ-B2-60	LF-DL-B6-32

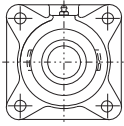
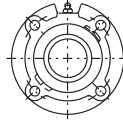
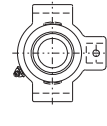
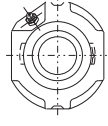
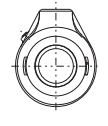
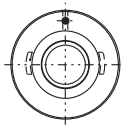
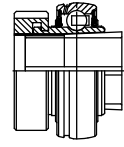
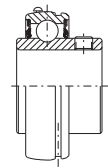
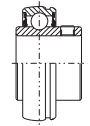
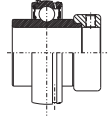
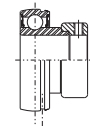
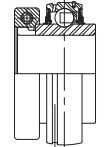


Not Recommended



Made to Order / Modification Required

BALL BEARING INDEX

HOUSING							
							
F4B-	FC-	NSTU- / WSTU- / TP-	HNG-	SCHB-	CYL-		
F4B-GT-B5-35 F4B-GTEZ -PCR-B2-62 -SHCR-B2-35 F4B-GTM-B5-42	FC-GT-B5-46 FC-GTM-B5-48	NSTU-GT/GTM -B5-50 & 52 WSTU-GT/GTM- B5-54&58 WSTU-GTEZ -PCR-B2-66 TP-GT/GTM-B5-60&61					GT- / GTEZ- / GTM-
F4B-SC-B4-54 F4B-SCEZ -PCR-B2-64 -SHCR-B2-36 F4B-SCM-B4-60 F4B-SL-B4-64	FC-SC-B4-66 FC-SCM-B4-68	NSTU-SC-B4-70 NSTU-SCM-B4-73 TP-G-B4-82 NSTU-SCEZ-B2-38 WSTU-SCEZ -PCR-B2-68 WSTU-SCM-B4-78 WSTU-SC-B4-74	HNG-SC-B4-86	SCHB-SC-B4-84	CYL-SC-B4-87		SC- / SCM- / SL-
F4B-VSC-B8-16		WSTU-VSC-B8-20 NSTU-VSC-B8-18					VSC-
F4B-SXR-B7-28	FC-SXR-B7-30	WSTU-SXR-B7-34 NSTU-SXR-B7-32 TP-GXR-B7-36	HNG-SXR-B7-37	SCHB-SXR-B7-38	CYL-SXR-B7-39		SXR-
F4B-SXR-B9-24 F4B-SLX-B9-26	FC-SXV-B9-28	NSTU-SXV-B9-30 WSTU-SXV-B9-32					SXV-
F4B-DL-B6-34 F4B-DLEZ -PCR-B2-65 -SHCR-B2-37 F4B-DLM-B6-36	FC-DL-B6-38 FC-DLM-B6-40	NSTU-DL-B6-42 NSTU-DLM-B6-44 WTSU-DLEZ -PCR-B2-70 WSTU-DL-B6-46 WSTU-DLM-B6-48 TP-DL-B6-50 TP-DLM-B6-51		SCHB-DL-B6-52	CYL-DL-B6-53		DL- / DLEZ- / DLM-

I N S E R T S

Not Recommended 

Made to Order / Modification Required 



BALL BEARING INDEX

Bearing Reference
Guide

ULTRA KLEEN

E-Z KLEEN

Extreme Duty

Setscrew Ball Bearing

GRIP TIGHT

D-LOK Ball Bearing

CONTENTS



ULTRA KLEEN Polymer and Stainless Steel Housed Mounted Bearings

Features / Benefits	B1-3
How to Order / Nomenclature	B1-6
Easy Selection	B1-7
Dimensions	
Pillow Blocks	B1-15
Tapped Base Pillow Block.....	B1-17
2-Bolt Flange Bearings	B1-19
3-Bolt Flange Bearings	B1-22
Flanged Bracketed Bearings.....	B1-23
4-Bolt Flange Bearings	B1-26
Wide Slot Take-Up Bearings.....	B1-28
Narrow Slot Take-Up Bearings	B1-32
Inserts	B1-34
Accessories	B1-35
Part Number Index.....	INDEX-1
Key Word Index	KEYWORD-1

Bearing Reference Guide

ULTRA KLEEN

E-Z KLEEN

Extreme Duty

Setscrew Ball Bearing

GRIP TIGHT

D-LOK Ball Bearing



CONTENTS

Bearing Reference
Guide

ULTRA KLEEN

E-Z KLEEN

Extreme Duty

Setscrew Ball Bearing

GRIP TIGHT

D-LOK Ball Bearing



FEATURES/BENEFITS

ULTRA KLEEN

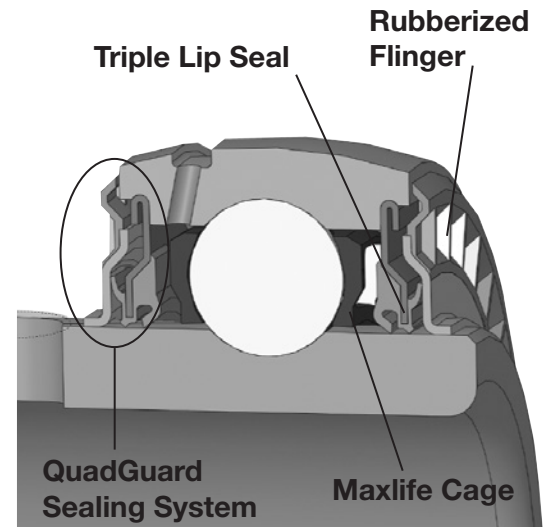
Polymer and Stainless Steel Housed Mounted Bearings

Insert: The Dodge ULTRA KLEEN features inserts made of 100% stainless steel and includes set screws positioned at 65 degree angles to provide maximum locking force without compromising inner ring strength. The inserts each include a stainless anti-rotation pin to prevent insert rotation in the housing under load which may cause premature bearing failure. Stainless inserts eliminate the possibility of contamination due to chipping and flaking, commonly found in inserts which are coated with zinc or thin-dense chrome.

Sealing: Retaining lubrication and preventing contamination from entering the bearing is critical in harsh environments. That is why Dodge has developed the premium QuadGuard® sealing system for maximum sealing effectiveness under these conditions. The seal includes two patented features unique to Dodge bearings; these features are standard on the ULTRA KLEEN product. The first is a triple-lip seal designed to maximize sealing and produce less drag than other multi-lip seals. The Dodge patented triple-lip design uses a mechanically retained seal with two contact points on the inner ring and one contact point riding against the flinger surface. Three points of contact maximize the ability of the seal to guard against contamination and to retain lubricants. The QuadGuard seal incorporates the industry's first (and only) patented rubberized flinger. This flinger uses

molded rubber to provide additional protection from contaminants

entering the bearing. The baffle design of the rubber on the external surface of the flinger enhances the removal of liquid as the flinger rotates. Grease chambers on the internal surface prevent lubricants from exiting the bearing during operation while allowing purging during re-lubrication. This superior design will increase service life in dirty environments thus leading to extended up-time for our customers. When used in conjunction with one another, the triple-lip seal and rubberized flinger create a sealing system that is ideal for demanding environments.



Retainer: The Maxlife® Cage is the product of extensive research and development in retainer technology and industry leading engineering. The cage features a two-piece design that creates a grease compartment around each of the rolling elements. These compartments allow balls to be constantly in contact with grease, so a good oil film will always exist to prevent wear and minimize friction and heat. The Maxlife cage reduces the relative motion between bearing components and grease which results in lower operating temperatures and extended life. The compartmental construction of the cage tends to hold in the grease and prevent it from being washed out in extremely wet or dirty conditions. This feature allows the bearing to be re-lubricated with less frequency than standard designs require, while extending bearing life.

Lubrication: 100% filled with H1, food grade grease

Note: Instruction manuals and drawings for Dodge bearings are available on www.dodge-pt.com



FEATURES/BENEFITS

Bearing Reference Guide

ULTRA KLEEN

E-Z KLEEN

Extreme Duty

Setscrew Ball Bearing

GRIP TIGHT

D-LOK Ball Bearing

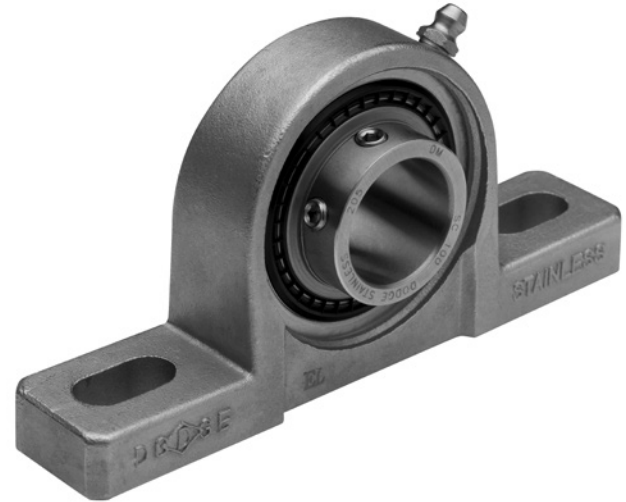
ULTRA KLEEN

Polymer and Stainless Steel Housed Mounted Bearings

Housings: The ULTRA KLEEN is available in a wide variety of both polymer and stainless housing designs.

- Polymer
 - 204 to 210 Series (3/4" bore to 2", 20mm to 50mm)
 - Pillow Block
 - Two-Bolt Flange
 - Four-Bolt Flange
 - 204 to 207 Series (3/4" bore to 1-7/16", 20mm to 50mm)
 - Tapped Base
 - Flange Bracket
 - Wide Slot Take-Up
 - Solid cross-section base housings
 - No core cavities to trap contaminants
 - Anti-Microbial agent retards bacterial and fungal growth
 - All stainless hardware and fittings
 - Housing strength exceeds bearing static capacity
 - End covers available

- Stainless
 - 204 to 208, 210 Series
 - Pillow Block
 - Two-Bolt Flange
 - Four-Bolt Flange
 - Narrow Slot Take-Up
 - Wide Slot Take-Up
 - Tapped Base
 - Flange Bracket (no 208, 209)
 - 204-207 Series
 - Light Duty Two-Bolt Flange, LFT
 - Light Duty Three-bolt Flange, LF
 - 300 Series stainless steel casting
 - End covers available



End Covers

All Dodge E-Z KLEEN and ULTRA KLEEN bearings include a housing groove to accept a snap-on polymer end cover. These durable covers are easy to install and each is provided with a drain hole to prevent moisture from collecting inside the cover. The snap-on style of end cover incorporates an additional lip on the mounting surface for a rigid fit within the housing. This tight fit creates a better seal prevents movement of the cover during operation and high-pressure cleaning. Dodge snap-on end covers provide positive sealing in wet environments and create safer working conditions by enclosing rotating shafts.

Note: Instruction manuals and drawings for Dodge bearings are available on www.dodge-pt.com



FEATURES/BENEFITS

ULTRA KLEEN-SC

ULTRA KLEEN-SC	End-Cover Capability		Sealing		Retainer
	End-Cover Groove	Snap-On End Cover	Triple-Lip Seal	Stainless Rubberized Flinger	Maxlife Cage
Standard Features	X	X	X	X	X

Housing Capability Stainless							
Housing Style	204	205	206	207	208	209	210
P2B	X	X	X	X	X		X
F2B	X	X	X	X	X		X
F4B	X	X	X	X	X		X
FB	X	X	X	X			X
TB	X	X	X	X	X		X
NSTU	X	X	X	X	X		X
WSTU	X	X	X	X	X		X
LF	X	X	X	X			
LFT	X	X	X	X			

Housing Capability Polymer							
Housing Style	204	205	206	207	208	209	210
P2B	X	X	X	X	X	X	X
F2B	X	X	X	X	X	X	X
F4B	X	X	X	X	X	X	X
FB	X	X	X	X			
TB	X	X	X	X			
NSTU							
WSTU	X	X	X	X			
LF							
LFT							

Note: Instruction manuals and drawings for Dodge bearings are available on www.dodge-pt.com



ULTRA KLEEN Polymer and Stainless Steel Housed Mounted Bearings

HOW TO ORDER

There are two ways to specify DODGE ULTRA KLEEN ball bearings. Most of the product offerings have part numbers with listings shown throughout this brochure. Use of part numbers ensures accurate order processing.

When part numbers are not shown, the product may be specified by description or part name. This method is used when ordering units that include modifications or options. To order by description for options not covered by the nomenclature.

NOMENCLATURE

P2B - SCHUEZ - 104S = PSS

Modification Or Feature:
 SS = Stainless Steel Insert
 MOD = Modified
 P = Polymer housing
 SH = Stainless Steel Housing

Shaft Size

Inches:

First digit = Number of inches

Second & third digits = Number of sixteenths of an inch

104 = Indicates 1-4/16 or 1-1/4

S = Next smaller ring size. E.g. 1-1/4 206 would be written as 104S

L = Next larger ring size. E.g. 1/2 204 would be written as 008L

Metric:

First two digits = number of millimeters

M = Metric

Bearing Type:

SC = Wide inner ring, normal duty, 65° setscrew locking

Suffixes to the above:

EZ = E-Z KLEEN/ULTRA KLEEN (used with polymer or stainless steel housed units)

BEZ = Low backing height pillow block, E-Z KLEEN/ULTRA KLEEN

UEZ = higher back pillow block, E-Z KLEEN/ULTRA KLEEN (for interchangeability with competitive pillow blocks)

Housing:

F2B = 2 bolt flange

F4B = 4 bolt flange

FB = Flanged bracket

INS = Insert

P2B = Pillow block, 2 bolt base

TB = Tapped base pillow block

WSTU = Wide slot take-up

NSTU = Narrow slot take-up

LF = 3 bolt, light duty flange

LFT = 2 bolt, light duty flange



EASY SELECTION

Selection of DODGE ULTRA KLEEN Polymer and Stainless Steel Housed Ball Bearings

DODGE ULTRA KLEEN mounted ball bearings are primarily designed for radial loading. However, they have the capacity to carry thrust loads and combined radial/thrust loads. The maximum recommended load which can be applied is limited by various components in the system, such as bearing, housing, shaft attachments, speed and life requirements as listed in this catalog and the instruction manual that accompanies each bearing. DODGE ULTRA KLEEN ball bearings have been applied successfully when these limits have been exceeded under controlled operating conditions. Contact DODGE Engineering for applications which exceed these recommendations.

Select a bearing from the Selection Table that has a radial load rating at the operating speed equal to or greater than the calculated Equivalent Radial Load for a desired L_{10} life. This simple method is all that is required for the majority of general applications and provides for occasional average shock loads.

L_{10} Hours Life-the life which may be expected for at least 90% of a given group of bearings operating under identical conditions.

Heavy Service-For heavy shock loads, frequent shock loads or severe vibrations, add up to 50% (according to severity of conditions) to the Equivalent Radial Load to obtain a Modified Equivalent Radial Load. Consult Application Engineering for additional selection assistance.

A maximum thrust load value of $C/10$ is recommended as a guide for general applications and will give adequate L_{10} life. If the thrust load exceeds this limit, it is advisable to use auxiliary thrust carrying devices, such as a shaft shoulder, snap ring, or a thrust collar. Where substantial radial load pulls the housing away from the mounting base, both the hold-down bolts and housing must be of adequate strength. Auxiliary load carrying devices, such as shear bars, are advisable for side or end-loading of pillow blocks and radial loads for flange units.

To determine the L_{10} hours life for loads and RPMs not listed use the following equation:

$$L_{10} = \left(\frac{C}{P}\right)^3 \times \left(\frac{16,667}{n}\right)$$

Where:

L_{10} = Life, hours

C = Dynamic Capacity, lbs. or N

P = Equivalent Radial Load, lbs. or N

n = Revolutions per minute

When the load on a ball bearing is solely a radial load with no thrust (axial) load, the Equivalent Radial Load (P) is equal to the actual radial load. However, when a thrust (axial) load is applied, the radial and thrust loads applied must be converted into an Equivalent Radial Load. Use X (radial factor) and Y (thrust factor) from Table 1 to convert the actual applied thrust and radial loads to an Equivalent Radial Load which has the same effect on the life of a bearing as a radial load of this magnitude.

Shaft Tolerances	
Normal Shaft Size (Inches)	Recommended Shaft Tolerances SC (Inches)
Up to 1-1/2"	+0.000 -.0005
Over 1-1/2 to 2"	+0.000 -.0010

$$P = XF_R + YF_A$$

Where:

P = Equivalent Radial Load, lbs.

F_R = Radial load, lbs.

F_A = Thrust load, lbs.

e = Thrust load to radial load factor (Table 1)

X = Radial load factor (Table 1)

Y = Thrust Factor (Table 1)

C_0 = Basic static capacity (Selection Table)

To find X and Y, first calculate F_A/C_0 to determine e. Calculate F_A/F_R and compare to e to determine the X and Y factors to use from Table 1.

Substitute all known values into the Equivalent Radial Load equation. The Equivalent Radial Load (P) thus determined can be used in the L_{10} life formula or compared to the allowable Equivalent Radial Load rating desired in the expanded rating chart to select a bearing (Selection Table).

NOTE: Bearing analysis program "BEST" is available on www.ptwizard.com

FEATURES/BENEFITS PAGE B1-3	HOW TO ORDER/NOMENCLATURE PAGE B1-6	DIMENSIONS PAGE B1-15	ACCESSORIES PAGE B1-35
--------------------------------	--	--------------------------	---------------------------



EASY SELECTION

Selection of DODGE ULTRA KLEEN Polymer and Stainless Steel Housed Ball Bearings

If calculated value of P is less than F_R , use $P=F_R$.

Table 1

F_A/C_0	e	Radial/Thrust Factors			
		If F_A/F_R is equal to or less than e		If F_A/F_R is greater than e	
		$F_A/F_R \leq e$		$F_A/F_R > e$	
		X	Y	X	Y
0.014	0.19	1	0	0.56	2.30
0.021	0.21	1	0	0.56	2.15
0.028	0.22	1	0	0.56	1.99
0.042	0.24	1	0	0.56	1.85
0.056	0.26	1	0	0.56	1.71
0.070	0.27	1	0	0.56	1.63
0.084	0.28	1	0	0.56	1.55
0.110	0.30	1	0	0.56	1.45
0.170	0.34	1	0	0.56	1.31
0.280	0.38	1	0	0.56	1.15
0.420	0.42	1	0	0.56	1.04
0.560	0.44	1	0	0.56	1.00

Lubrication- DODGE Ball Bearings are lubricated at the factory and are ready to run. The bearings are initially lubricated with an aluminum complex based, H1 Food Grade grease and should be relubricated with the same or some equivalent. For high speeds, high loads, extreme temperatures and other abnormal operating conditions, special greases may be required. Contact DODGE Application Engineering for recommendations on these types of applications.

Misalignment - DODGE Ball Bearings are designed to allow a maximum of $\pm 2^\circ$ static misalignment. These bearings are not suitable for dynamic misalignment. To ensure good alignment, mounting surfaces must be checked for flatness and must lie in the same plane. When tightening base bolts, each bolt should be alternately tightening in incremental torque values until full torque is achieved to prevent the angular shifting of the pillow block that occurs when one bolt is tightened to its full torque. Shimming may be required to minimize misalignment.

NOTE: Bearing analysis program "BEST" is available on www.ptwizard.com

FEATURES/BENEFITS PAGE B1-3	HOW TO ORDER/NOMENCLATURE PAGE B1-6	DIMENSIONS PAGE B1-15	ACCESSORIES PAGE B1-35
--------------------------------	--	--------------------------	---------------------------

EASY SELECTION



Selection of DODGE ULTRA KLEEN Polymer and Stainless Steel Housed Ball Bearings

Recommended Torque													
Setscrews					D-LOK			Mounting Bolts					
Setscrew Size	Key Hex Across Flats	Recommended Torque			Cap Screw Size	Recom. Torque	EZ-KLEEN Recom. Torque	Metal Housings		EZ-KLEEN Housed Bearings			
		Standard Ball Bearing Insert		Corrosion Resistant Stainless Steel				Bolt Size	Recom. Dry Torque (Grade 2)	2-Bolt PB, 2 & 4 Bolt Fig. and Fig. Brackets		Tapped Base PB	
		Min	Max							Bolt Size	Torque ①	Bolt Size	Torque ②
(in.)	(in.)	(in.-lbs.)	(in.-lbs.)	(in.-lbs.)	(in.)	(in.-lbs.)	(in.-lbs.)	(in.)	(in.-lbs.)	(in.)	(in.-lbs.)	(in.)	(in.-lbs.)
#10	3/32	28	33	25	#8-32	58	46	3/8-16	240	3/8-16	225	3/8-16	175
1/4	1/8	66	80	60	#10-32	90	72	7/16-14	384	7/16-14	350	7/16-14	350
5/16	5/32	126	156	117	1/4-28	180	144	1/2-13	600	1/2-13	500	1/2-13	400
3/8	3/16	228	275	206	5/16-24	400	320	5/8-11	1200	9/16-12	650		
7/16	7/32	342	428	321	3/8-24	750	600	3/4-10	1950	5/8-11	1000		
								7/8-9	2890				
(mm)	(mm)	(N-m)	(N-m)	(N-m)	(mm)	(N-m)	(N-m)	(mm)	(N-m)	(mm)	(N-m)		
M5	2.5	3.2	3.7	2.8	M4	585	4.68	M10	29	M8	15	① Torque for Austenitic (18-8) Stainless ② Max. torque values published. Do not exceed	
M6	3	6.2	7.7	5.8	M5	10.75	8.6	M12	50	M10	25		
M8	4	14.2	17.8	13.4	M6	20.5	16.4	M16	124	M12	50		
M10	5	26	31	23	M8	45	36	M20	238	M14	75		
M12	6	46	57	43				M22	322	M18	125		

Lubrication

High Speed Operation - In the higher speed ranges, too much grease will cause over-heating. The amount of grease that the bearing will take for a particular high speed application can only be determined by experience. If excess grease in the bearing causes overheating, it will be necessary to remove grease fitting to permit excess grease to escape. The bearing has been greased at the factory and is ready to run. When establishing a relubrication schedule, note that a small amount of grease at frequent intervals is preferable to a large amount at infrequent intervals.

Lubrication Guide

Use a No. 2 Lithium complex base grease or equivalent*

Hours Run per Day	Suggested Lubrication Period in Weeks							
	1 to 250 RPM	251 to 500 RPM	501 to 750 RPM	751 to 1000 RPM	1001 to 1500 RPM	1501 to 2000 RPM	2001 to 2500 RPM	2501 to 3000 RPM
8	12	12	10	7	5	4	3	2
16	12	7	5	4	2	2	1	1
24	10	5	3	2	1	1	1	1

* For EZ-KLEEN series bearings, use an aluminum complex base grease.

Lubrication recommendations are intended for standard products applied in general operating conditions. For modified products, high temperature applications, and other anomalous applications contact product engineering at 864-284-5700.

NOTE: Bearing analysis program "BEST" is available on www.ptwizard.com

FEATURES/BENEFITS PAGE B1-3	HOW TO ORDER/NOMENCLATURE PAGE B1-6	DIMENSIONS PAGE B1-15	ACCESSORIES PAGE B1-35
--------------------------------	--	--------------------------	---------------------------



EASY SELECTION

Table 2: Easy Selection for Polymer and Stainless Housed ULTRA KLEEN Mounted Ball Bearings - Inch and Metric

Ring Size	Shaft Size SC	Dynamic Capacity C, lbs.	Static Capacity C ₀ , lbs.	L ₁₀ Life - Hours	Allowable Equivalent Radial Load Rating (lbs.) at Various RPM*											
					50	150	250	500	750	1000	1250	1500	1600	1750	2000	2250
204	1/2	2464	1482	20000	629	436	368	292	255	232	215	203	198	192	184	177
	5/8			30000	550	381	322	255	223	203	188	177	173	168	161	155
	3/4			40000	500	346	292	232	203	184	171	161	157	153	146	140
	13/16			60000	436	303	255	203	177	161	149	140	137	133	128	123
	20mm			100000	368	255	215	171	149	136	126	118	116	113	108	103
205	7/8	2674	1769	20000	683	474	399	317	277	252	234	220	215	209	200	192
	15/16			30000	597	414	349	277	242	220	204	192	188	182	174	168
	1			40000	542	376	317	252	220	200	185	174	171	166	159	152
	25mm			60000	474	328	277	220	192	174	162	152	149	145	138	133
				100000	399	277	234	185	162	147	137	129	126	122	117	112
206	1-1/16	3713	2538	20000	948	658	555	440	385	349	324	305	299	290	277	267
	1-1/8			30000	829	574	485	385	336	305	283	267	261	253	242	233
	1-3/16			40000	753	522	440	349	305	277	257	242	237	230	220	212
	1-1/4			60000	658	456	385	305	267	242	225	212	207	201	192	185
	30mm			100000	555	385	324	257	225	204	190	179	175	170	162	156
207	1-1/4	4895	3461	20000	1250	867	731	580	507	461	428	402	394	382	366	352
	1-5/16			30000	1092	757	639	507	443	402	374	352	344	334	319	307
	1-3/8			40000	992	688	580	461	402	366	339	319	313	303	290	279
	1-7/16			60000	867	601	507	402	352	319	296	279	273	265	254	244
	35mm			100000	731	507	428	339	296	269	250	235	230	224	214	206
208	1-1/2	6232	4475	20000	1592	1104	931	739	645	586	544	512	501	487	465	448
	1-5/8			30000	1391	964	813	645	564	512	476	448	438	425	407	391
	40mm			40000	1263	876	739	586	512	465	432	407	398	386	369	355
				60000	1104	765	645	512	448	407	377	355	348	337	323	310
				100000	931	645	544	432	377	343	318	300	293	285	272	262
209	1-5/8	6707	4906	20000	1713	1188	1002	795	695	631	586	551	540	524	501	482
	1-11/16			30000	1497	1038	875	695	607	551	512	482	471	458	438	421
	1-3/4			40000	1360	943	795	631	551	501	465	438	428	416	398	382
	45mm			60000	1188	824	695	551	482	438	406	382	374	363	347	334
				100000	1002	695	586	465	406	369	343	322	316	306	293	282
210	1-15/16	6707	5213	20000	1713	1188	1002	795	695	631	586	551	540	524	501	482
	2			30000	1497	1038	875	695	607	551	512	482	471	458	438	421
	50mm			40000	1360	943	795	631	551	501	465	438	428	416	398	382
				60000	1188	824	695	551	482	438	406	382	374	363	347	334
				100000	1002	695	586	465	406	369	343	322	316	306	293	282

* Slight interference fit required when operating on the right of the heavy line or in the shaded area.

▲ Piloted flange only

NOTE: Bearing analysis program "BEST" is available on www.ptwizard.com

FEATURES/BENEFITS PAGE B1-3	HOW TO ORDER/NOMENCLATURE PAGE B1-6	DIMENSIONS PAGE B1-15	ACCESSORIES PAGE B1-35
--------------------------------	--	--------------------------	---------------------------

EASY SELECTION



Bearing Reference Guide

ULTRA KLEEN

E-Z KLEEN

Extreme Duty

Setscrew Ball Bearing

GRIP TIGHT

D-LOK Ball Bearing

Table 2: Easy Selection for Polymer and Stainless Housed ULTRA KLEEN Mounted Ball Bearings - Inch and Metric

Ring Size	Shaft Size SC	Dynamic Capacity C, lbs.	Static Capacity C ₀ , lbs.	L ₁₀ Life - Hours	Allowable Equivalent Radial Load Rating (lbs.) at Various RPM*											
					2500	2750	3000	3250	3500	3600	4000	4500	5000	5250	5500	6000
204	1/2	2464	1482	20000	171	166	161	157	153	151	146	140	136	133	131	128
	5/8			30000	149	145	140	137	133	132	128	123	118	117	115	111
	3/4			40000	136	131	128	124	121	120	116	111	108	106	104	101
	13/16			60000	118	115	111	109	106	105	101	97	94	93	91	88
	20mm			100000	100	97	94	92	89	88	85	82	79	78	77	75
205	7/8	2674	1769	20000	185	180	174	170	166	164	159	152	147	145	143	138
	15/16			30000	162	157	152	148	145	143	138	133	129	126	125	121
	1			40000	147	143	138	135	132	130	126	121	117	115	113	110
	25mm			60000	129	125	121	118	115	114	110	106	102	100	99	96
				100000	108	105	102	99	97	96	93	89	86	85	83	81
206	1-1/16	3713	2538	20000	257	249	242	236	230	228	220	212	204	201		
	1-1/8			30000	225	218	212	206	201	199	192	185	179	176		
	1-3/16			40000	204	198	192	187	183	181	175	168	162	160		
	1-1/4			60000	179	173	168	164	160	158	153	147	142	139		
	30mm			100000	151	146	142	138	135	133	129	124	119	118		
207	1-1/4	4895	3461	20000	339	329	319	311	303	301	290	279				
	1-5/16			30000	296	287	279	272	265	263	254	244				
	1-3/8			40000	269	261	254	247	241	239	230	221				
	1-7/16			60000	235	228	221	216	210	208	201	193				
	35mm			100000	198	192	187	182	177	176	170	163				
208	1-1/2	6232	4475	20000	432	419	407	396	386	383	369					
	1-5/8			30000	377	366	355	346	337	334	323					
	40mm			40000	343	332	323	314	307	304	293					
				60000	300	290	282	275	268	265	256					
				100000	253	245	238	232	226	224	216					
209	1-5/8	6707	4906	20000	465	450	438	426	416	412	398					
	1-11/16			30000	406	394	382	372	363	360	347					
	1-3/4			40000	369	358	347	338	330	327	316					
	45mm			60000	322	312	303	295	288	286	276					
				100000	272	263	256	249	243	241	233					
210	1-15/16	6707	5213	20000	465	450	438	426	416	412						
	2			30000	406	394	382	372	363	360						
	50mm			40000	369	358	347	338	330	327						
				60000	322	312	303	295	288	286						
				100000	272	263	256	249	243	241						

* Slight interference fit required when operating on the right of the heavy line or in the shaded area.

▲ Piloted flange only

NOTE: Bearing analysis program "BEST" is available on www.ptwizard.com

FEATURES/BENEFITS PAGE B1-3	HOW TO ORDER/NOMENCLATURE PAGE B1-6	DIMENSIONS PAGE B1-15	ACCESSORIES PAGE B1-35
--------------------------------	--	--------------------------	---------------------------



EASY SELECTION

Chemical Resistance Chart*

	Housing		Ball Bearing Insert	
	Polymer	Stainless	EZ-KLEEN	ULTRA-KLEEN
A				
Acetic Acid	B	B	A	B
Acetone	B	A	A	B
Ammonium Chloride		B	A	B
Ammonium Hydroxide	D	A		A
Aniline	A	A	B	A
B				
Beer		A	A	
Beet Sugar Liquids		A		
Benzene	B	B	B	B
Bleaching Lye	A			
Brake Fluid	A			
Butane	A	A	A	
Butanol	B	A	A	
Butyl Acetate	A	B	A	
C				
Calcium Chloride	A	B	A	C
Calcium Hydroxide		B	A	
Calcium Hypochlorite	A	D	B	C
Carbon Disulphide	A	B	B	
Carbon Tetrachloride	A	B	A	A
Chloroform	D	A	A	A
Chromic Acid	A	B	A	B
Citric Acid	A	A	A	A
Cresol	D	A		
D				
Detergents	A	A	A	A
Diesel Fuel	A	A	B	
E				
Ethanol	A	A		A
Ether (diethyl-)	A	A	B	A
Ethyl Acetate	B	B	B	
Ethylene Dichloride	D	B	B	
F				
Ferrous Chloride		D	B	
Formaldehyde		B	B	
Formic Acid	B	B	A	B
Freon 11	A	A	A	

Where: (A) = No Effect - Excellent
 (B) = Minor Effect - Good
 (C) = Moderate Effect - Fair
 (D) = Severe Effect - Not Recommended
 Blank = No Data Available

NOTE: All references assume exposure temperature of 72°F.

* This chemical resistance chart is intended as a guideline. For exposure to high concentrations, prolonged contact, or higher operating temperatures, etc. reliance upon actual application experience is best. Aggressive relubrication intervals may also benefit bearing life. Contact application engineering at 864-284-5700 for assistance.

NOTE: Bearing analysis program "BEST" is available on www.ptwizard.com

FEATURES/BENEFITS PAGE B1-3	HOW TO ORDER/NOMENCLATURE PAGE B1-6	DIMENSIONS PAGE B1-15	ACCESSORIES PAGE B1-35
--------------------------------	--	--------------------------	---------------------------

Bearing Reference Guide

ULTRA KLEEN

E-Z KLEEN

Extreme Duty

Setscrew Ball Bearing

GRIP TIGHT

D-LOK Ball Bearing



Chemical Resistance Chart*

	Housing		Ball Bearing Insert	
	Polymer	Stainless	EZ-KLEEN	ULTRA-KLEEN
G				
Gasoline	A	A	A	A
Glycerol (Glycerin)	B	A	A	A
Glycol	B			
Grease	A	A	A	A
H				
Heptane	A	A	A	
Hexane	A	A	A	
Hydrochloric Acid (20%)	A	D	B	D
Hydrochloric Acid (100%)	D	D	C	D
Hydrofluoric Acid (20%)	D	D	B	D
Hydrofluoric Acid (100%)	D	D	C	D
Hydrogen Peroxide (10%)	A	C	A	
Hydrogen Peroxide (30%)	B	C	A	
I, K, L				
Iodine		D	B	D
Isopropanol (Isopropyl Alcohol)	B	A	A	
Kerosene	A	A	A	A
Lithium Chloride		A		
M				
Methanol	A	A	A	A
Methylene Chloride	D	B	B	
Methyl Ethyl Ketone	A	A	A	
Mineral Oil	A	A	A	A
Motor Oils	A	A	A	A
N				
Nitric Acid (10%)	A	A	A	A
Nitric Acid (20%)	D	A	A	A
Nitric Acid (50%)	D	A	A	A
O				
Oleic Acid	A	A	B	B
Olive Oil	A	A	A	A
P				
Perchloroethylene	A	B	B	
Phenol	B	B	A	
Phosphoric Acid (<40%)	A	B	A	A
Phosphoric Acid (>40%)	A	C	A	B
Potassium Chloride	A	B	A	B

Where: (A) = No Effect - Excellent
 (B) = Minor Effect - Good
 (C) = Moderate Effect - Fair
 (D) = Severe Effect - Not Recommended
 Blank = No Data Available

NOTE: All references assume exposure temperature of 72°F.

* This chemical resistance chart is intended as a guideline. For exposure to high concentrations, prolonged contact, or higher operating temperatures, etc. reliance upon actual application experience is best. Aggressive relubrication intervals may also benefit bearing life. Contact application engineering at 864-284-5700 for assistance.

NOTE: Bearing analysis program "BEST" is available on www.ptwizard.com

FEATURES/BENEFITS PAGE B1-3	HOW TO ORDER/NOMENCLATURE PAGE B1-6	DIMENSIONS PAGE B1-15	ACCESSORIES PAGE B1-35
--------------------------------	--	--------------------------	---------------------------



EASY SELECTION

Chemical Resistance Chart*

	Housing		Ball Bearing Insert	
	Polymer	Stainless	EZ-KLEEN	ULTRA-KLEEN
P (Continued)				
Potassium Dichromate	A	B	B	B
Potassium Hydroxide	D	B	A	B
Potassium Permanganate	A	A	B	B
S				
Silicone	A	B	A	A
Soap Solution	A	A	A	A
Sodium Bicarbonate	A	A	A	A
Sodium Bisulfate		D	B	B
Sodium Bisulfite	A	B	B	B
Sodium Carbonate	A	A	A	B
Sodium Chloride	A	B	A	B
Sodium Hydroxide (20%)	D	A	A	A
Sodium Hydroxide (50%)	D	B	A	
Sodium Hydroxide (80%)	D	C	B	
Sodium Hypochlorite (<20%)	A	C	B	C
Sodium Hypochlorite (100%)	B	D	B	D
Sulfuric Acid (<10%)	A	D	A	C
Sulfuric Acid (10 - 75%)	A	D	B	D
Sulfuric Acid (>75%)	D	D	C	D
T				
Tetrahydrofuran	B	A	A	
Toulene	A	A	A	
Trichlorethylene	B	B	A	
Triethylamine		A	A	
Turpentine	A	A	A	
V, W, X				
Vegetable Oils	A	A	A	A
Water	A	A	A	A
Xylene	A	B	A	

Where: (A) = No Effect - Excellent
 (B) = Minor Effect - Good
 (C) = Moderate Effect - Fair
 (D) = Severe Effect - Not Recommended
 Blank = No Data Available

NOTE: All references assume exposure temperature of 72°F.

* This chemical resistance chart is intended as a guideline. For exposure to high concentrations, prolonged contact, or higher operating temperatures, etc. reliance upon actual application experience is best. Aggressive relubrication intervals may also benefit bearing life. Contact application engineering at 864-284-5700 for assistance.

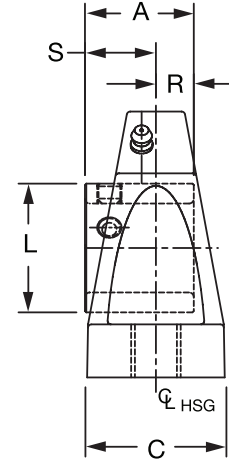
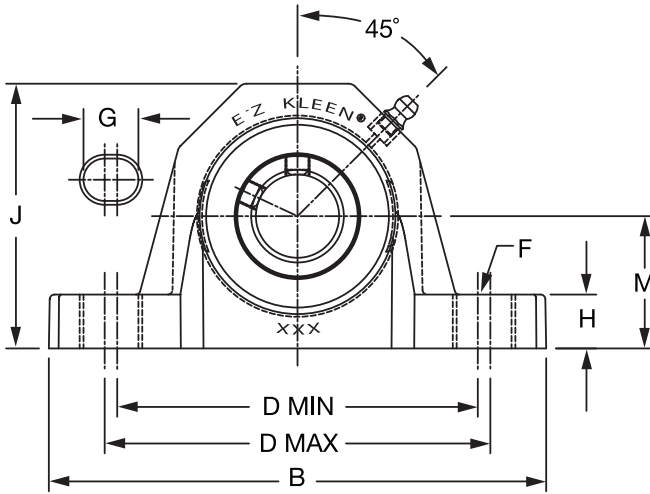
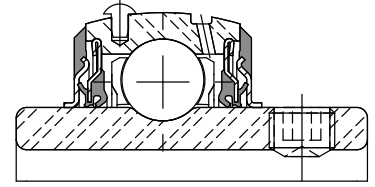
NOTE: Bearing analysis program "BEST" is available on www.ptwizard.com

FEATURES/BENEFITS PAGE B1-3	HOW TO ORDER/NOMENCLATURE PAGE B1-6	DIMENSIONS PAGE B1-15	ACCESSORIES PAGE B1-35
--------------------------------	--	--------------------------	---------------------------

SELECTION/DIMENSIONS



ULTRA KLEEN Mounted Bearings SCEZ PSS NORMAL DUTY POLYMER HOUSED PILLOW BLOCKS



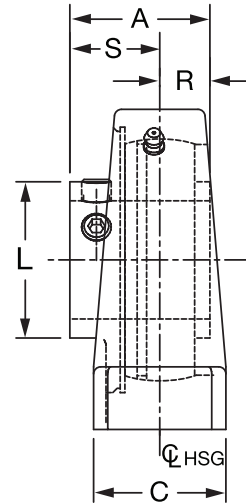
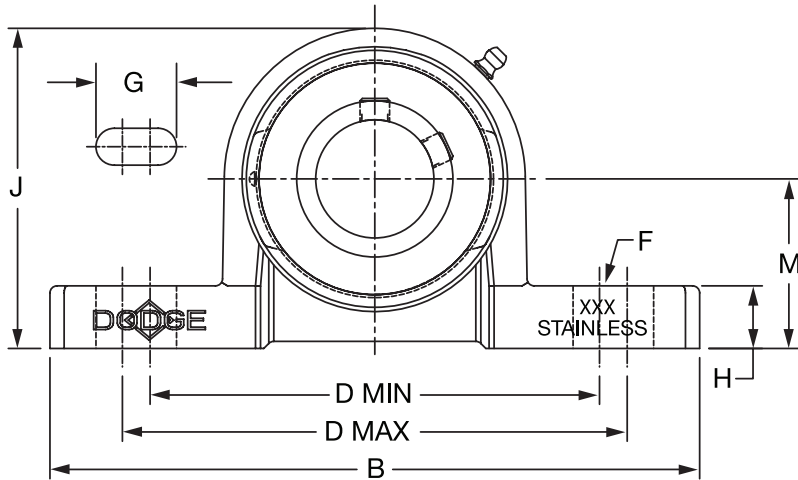
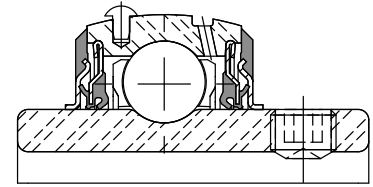
Series	Shaft Size	With Stainless Steel Insert		Weight lbs kg	A	B	C	D		F Bolt Dia.	G	H	J	L	M	R	S
		Part No.	Description					min.	max.								
204	3/4	136695	P2B-SCEZ-012-PSS	0.64	1.23	5.02	1.48	3.66	3.92	3/8	0.59	0.61	2.63	1.11	1.31	0.50	0.73
	20mm	136740	P2B-SCEZ-20M-PSS	0.30	31.2	127.5	37.6	93.0	99.6	M10	15.0	15.5	66.8	28.2	33.3	12.7	18.5
205	1	136696	P2B-SCEZ-100-PSS	0.69	1.34	5.48	1.48	3.96	4.20	3/8	0.59	0.61	2.86	1.32	1.44	0.56	0.78
	25mm	136741	P2B-SCEZ-25M-PSS	0.32	34.0	139.2	37.6	100.6	106.7	M10	15.0	15.5	72.6	33.5	36.6	14.2	19.8
206	1-3/16	136697	P2B-SCUEZ-103-PSS	1.13	1.52	6.30	1.77	4.60	4.88	1/2	0.73	0.70	3.34	1.57	1.69	0.58	0.94
	1-1/4	136698	P2B-SCUEZ-104S-PSS	1.11													
	30mm	136742	P2B-SCUEZ-30M-PSS	0.51	38.6	160.0	45.0	116.8	124.0	M12	18.5	17.8	84.8	39.9	42.9	14.7	23.9
207	1-1/4	136699	P2B-SCEZ-104-PSS	1.68	1.71	6.54	1.86	4.80	5.12	1/2	0.73	0.72	3.89	1.84	1.88	0.67	1.04
	1-7/16	136700	P2B-SCEZ-107-PSS	1.52													
	35mm	136743	P2B-SCEZ-35M-PSS	0.74	43.4	166.1	47.2	121.9	130.0	M12	18.5	18.3	98.8	46.7	47.8	17.0	26.4
208	1-1/2	136701	P2B-SCBEZ-108-PSS	2.08	1.94	7.19	2.10	5.10	5.64	1/2	0.88	0.76	4.16	2.05	1.94	0.75	1.19
	40mm	136744	P2B-SCBEZ-40M-PSS	0.88	49.3	182.6	53.3	129.5	143.3	M12	22.4	19.3	105.7	52.1	49.3	19.1	30.2
209	1-11/16	136702	P2B-SCEZ-111-PSS	2.34	1.94	7.20	2.10	5.42	5.96	1/2	0.88	0.84	4.31	2.22	2.13	0.75	1.19
	45mm	136745	P2B-SCEZ-45M-PSS	1.03	49.3	182.9	53.3	137.7	151.4	M12	22.4	21.3	109.5	56.4	54.1	19.1	30.2
210	1-15/16	136703	P2B-SCEZ-115-PSS	2.65	1.94	8.06	2.36	6.00	6.56	5/8	1.00	0.91	4.56	2.43	2.25	0.75	1.19
	50mm	136746	P2B-SCEZ-50M-PSS	1.30	49.3	204.7	59.9	152.4	166.6	M16	25.4	23.1	115.8	61.7	57.2	19.1	30.2

FEATURES/BENEFITS PAGE B1-3	HOW TO ORDER/NOMENCLATURE PAGE B1-6	EASY SELECTION PAGE B1-7	ACCESSORIES PAGE B1-35
--------------------------------	--	-----------------------------	---------------------------

SELECTION/DIMENSIONS



ULTRA KLEEN Mounted Bearings SCEZ SHSS NORMAL DUTY STAINLESS STEEL HOUSED PILLOW BLOCKS



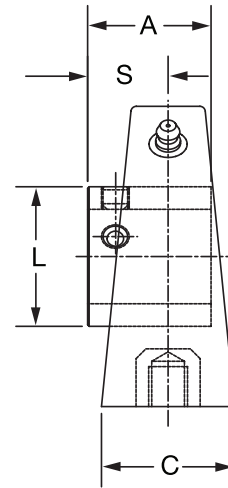
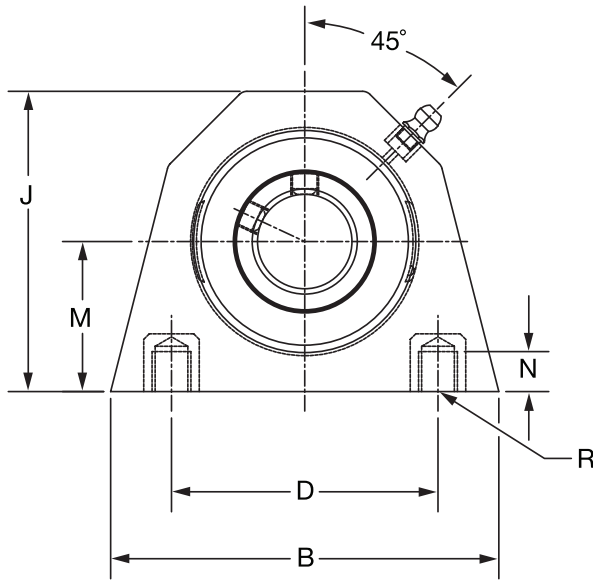
Series	Shaft Size	With Stainless Steel Insert		Weight lbs kg	A	B	C	D		F Bolt Dia.	G	H	J	L	M	R	S
		Part No.	Description					min.	max.								
204	3/4	136773	P2B-SCEZ-012-SHSS	1.31	1.23	5.00	1.00	3.38	4.18	3/8	0.84	0.50	2.50	1.11	1.31	0.5	0.73
	20mm	136849	P2B-SCEZ-20M-SHSS	0.59	31.2	127.0	25.4	85.9	106.2	M10	21.3	12.7	63.5	28.2	33.3	12.7	18.5
205	1	136774	P2B-SCEZ-100-SHSS	1.59	1.34	5.50	1.12	3.68	4.50	3/8	0.85	0.53	2.71	1.32	1.44	0.56	0.78
	25mm	136850	P2B-SCEZ-25M-SHSS	0.73	34.0	139.7	28.4	93.5	114.3	M10	21.6	13.5	68.8	33.5	36.6	14.2	19.8
206	1-3/16	136775	P2B-SCEZ-103-SHSS	2.33	1.52	6.25	1.25	4.26	5.00	1/2	0.93	0.53	3.13	1.57	1.63	0.58	0.94
	1-1/4	136777	P2B-SCEZ-104S-SHSS	2.29													
	30mm	140494	P2B-SCEZ-30M-SHSS	1.06	38.6	158.8	31.8	108.2	127.0	M12	23.6	13.5	79.5	39.9	41.4	14.7	23.9
206 (SCU)	1-3/16	136776	P2B-SCUEZ-103-SHSS	2.44	1.52	6.25	1.25	4.26	5.00	1/2	0.93	0.59	3.19	1.57	1.69	0.58	0.94
	1-1/4	136778	P2B-SCUEZ-104S-SHSS	2.39													
	30mm	136851	P2B-SCUEZ-30M-SHSS	1.11	38.6	158.8	31.8	108.2	127.0	M12	23.6	15.0	81.0	39.9	42.9	14.7	23.9
207	1-1/4	136779	P2B-SCEZ-104-SHSS	3.36	1.71	6.50	1.38	4.68	5.44	1/2	0.94	0.56	3.63	1.84	1.88	0.67	1.04
	1-7/16	136780	P2B-SCEZ-107-SHSS	3.19													
	35mm	136852	P2B-SCEZ-35M-SHSS	1.47	43.4	165.1	35.1	118.9	138.2	M12	23.9	14.2	92.2	46.7	47.8	17.0	26.4
208	1-1/2	136781	P2B-SCEZ-108-SHSS	4.39	1.94	7.00	1.50	5.18	6.00	1/2	0.97	0.75	4.00	2.05	2.13	0.75	1.19
	40mm	139424	P2B-SCEZ-40M-SHSS	1.95	49.3	177.8	38.1	131.6	152.4	M12	24.6	19.1	101.6	52.1	54.1	19.1	30.2
208 (SCB)	1-1/2	136782	P2B-SCBEZ-108-SHSS	3.93	1.94	7.00	1.50	5.18	6.00	1/2	0.97	0.56	3.81	2.05	1.94	0.75	1.19
	40mm	136853	P2B-SCBEZ-40M-SHSS	1.74	49.3	177.8	38.1	131.6	152.4	M12	24.6	14.2	96.8	52.1	49.3	19.1	30.2
210	1-15/16	136783	P2B-SCEZ-115-SHSS	5.14	1.94	8.00	1.63	5.76	6.68	5/8	1.14	0.62	4.31	2.43	2.25	0.75	1.19
	2 50mm	136989 136854	P2B-SCEZ-200-SHSS P2B-SCEZ-50M-SHSS	5.09 2.29	49.3	203.2	41.4	146.3	169.7	M16	29.0	15.7	109.5	61.7	57.2	19.1	30.2

FEATURES/BENEFITS PAGE B1-3	HOW TO ORDER/NOMENCLATURE PAGE B1-6	EASY SELECTION PAGE B1-7	ACCESSORIES PAGE B1-35
--------------------------------	--	-----------------------------	---------------------------

SELECTION/DIMENSIONS



ULTRA KLEEN Mounted Bearings SCEZ PSS NORMAL DUTY POLYMER HOUSED TAPPED BASE PILLOW BLOCKS



Series	Shaft Size	With Stainless Steel Insert		Weight lbs kg	A	B	C	D	J	L	M	N Thread Depth	R Bolt Hole Threads	S
		Part No.	Description											
204	3/4	136704	TB-SCEZ-012-PSS	0.60	1.23	3.25	1.48	2.00	2.65	1.11	1.31	0.40	3/8-16	0.73
	20mm	136747	TB-SCEZ-20M-PSS	0.29	31.2	82.6	37.6	50.8	67.3	28.2	33.4	10.2	M10x1.5	18.5
205	1	136705	TB-SCEZ-100-PSS	0.58	1.34	3.25	1.49	2.00	2.89	1.32	1.44	0.40	3/8-16	0.78
	25mm	136748	TB-SCEZ-25M-PSS	0.28	34.0	82.6	37.8	50.8	73.4	33.5	36.5	10.2	M10x1.5	19.8
206	1-3/16	136706	TB-SCEZ-103-PSS	1.09	1.52	4.38	1.57	3.00	3.38	1.57	1.69	0.45	7/16-14	0.94
	1-1/4	136707	TB-SCEZ-104S-PSS	1.07										
	30mm	136749	TB-SCEZ-30M-PSS	0.49	38.6	111.3	39.9	76.2	85.9	39.9	42.9	11.4	M10x1.5	23.9
207	1-1/4	136708	TB-SCEZ-104-PSS	1.64	1.71	4.63	1.89	3.25	3.82	1.84	1.88	0.55	1/2-13	1.04
	1-7/16	136709	TB-SCEZ-107-PSS	1.48										
	35mm	136750	TB-SCEZ-35M-PSS	0.72	43.4	117.6	48.0	82.6	97.0	46.7	47.6	14.0	M12x1.75	26.4

Bearing Reference Guide

ULTRA KLEEN

E-Z KLEEN

Extreme Duty

Setscrew Ball Bearing

GRIP TIGHT

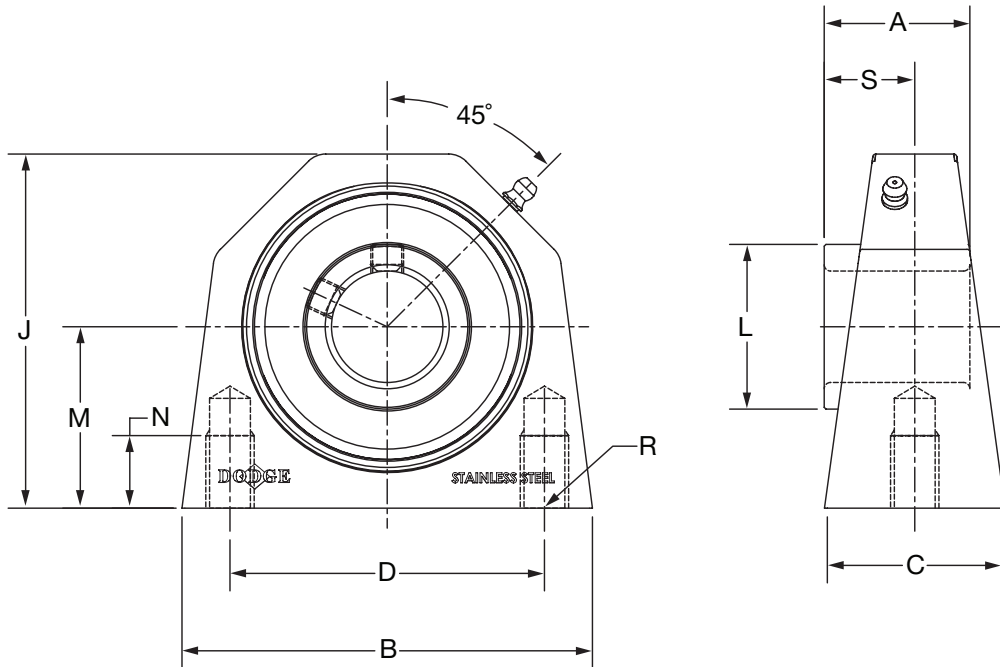
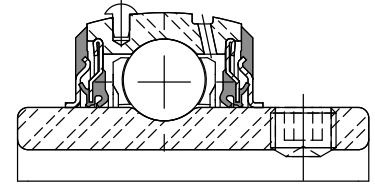
D-LOK Ball Bearing

FEATURES/BENEFITS PAGE B1-3	HOW TO ORDER/NOMENCLATURE PAGE B1-6	EASY SELECTION PAGE B1-7	ACCESSORIES PAGE B1-35
--------------------------------	--	-----------------------------	---------------------------

SELECTION/DIMENSIONS



ULTRA KLEEN Mounted Bearings SCEZ SHSS NORMAL DUTY STAINLESS STEEL TAPPED BASE BEARINGS



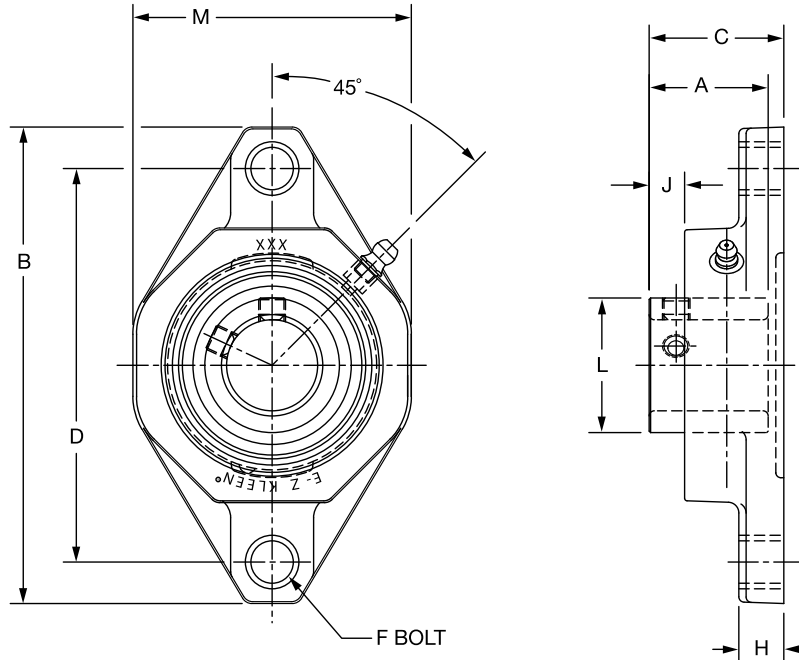
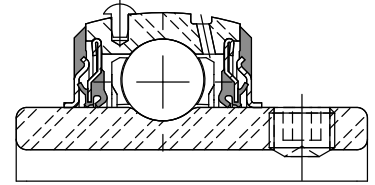
Series	Shaft Size	With Stainless Steel Insert		Weight lbs. kg	A	B	C	D	J	L	M	N	R	S
		Part No.	Description											
204	3/4 20mm	136784	TB-SCEZ-012-SHSS	1.27	1.23	2.77	1.36	2.00	2.50	1.11	1.31	0.45	3/8-16	0.73
		136855	TB-SCEZ-20M-SHSS	.576	31.2	70.4	34.5	50.8	63.5	28.2	33.4	11.4	3/8-16	18.5
205	1 25mm	136785	TB-SCEZ-100-SHSS	1.48	1.34	3.06	1.39	2.00	2.75	1.32	1.44	0.45	3/8-16	0.78
		136856	TB-SCEZ-25M-SHSS	.671	34.0	77.7	35.3	50.8	69.9	33.5	36.5	11.4	3/8-16	19.8
206	1-3/16	136786	TB-SCEZ-103-SHSS	2.49	1.52	3.84	1.50	3.00	3.22	1.57	1.69	0.88	7/16-14	0.94
	1-1/4	136787	TB-SCEZ-104S-SHSS											
	30mm	136857	TB-SCEZ-30M-SHSS	1.13	38.6	97.5	38.1	76.2	81.8	39.9	42.9	22.4	7/16-14	23.9
207	1-1/4	136788	TB-SCEZ-104-SHSS	3.55	1.71	4.15	1.77	3.25	3.66	1.84	1.88	0.75	1/2-13	1.04
	1-7/16	136789	TB-SCEZ-107-SHSS											
	35mm	136858	TB-SCEZ-35M-SHSS	1.61	43.4	105.4	45.0	82.6	93.0	46.7	47.6	19.1	1/2-13	26.4
208	1-1/2 40mm	136790	TB-SCEZ-108-SHSS	4.21	1.94	4.51	1.80	3.50	4.00	2.05	2.13	1.00	1/2-13	1.19
		136859	TB-SCEZ-40M-SHSS	1.91	49.3	114.6	45.7	88.9	101.6	52.1	54.0	25.4	1/2-13	30.2
210	1-15/16	136792	TB-SCEZ-115-SHSS	5.67	1.94	5.37	1.92	4.00	4.47	2.43	2.25	1.25	5/8-11	1.19
	2	136990	TB-SCEZ-200-SHSS											
	50mm	136860	TB-SCEZ-50M-SHSS	2.57	49.3	136.4	48.8	101.6	113.5	61.7	57.2	31.8	5/8-11	30.2

FEATURES/BENEFITS PAGE B1-3	HOW TO ORDER/NOMENCLATURE PAGE B1-6	EASY SELECTION PAGE B1-7	ACCESSORIES PAGE B1-35
--------------------------------	--	-----------------------------	---------------------------

SELECTION/DIMENSIONS



ULTRA KLEEN Mounted Bearings SCEZ PSS NORMAL DUTY POLYMER HOUSED 2-BOLT FLANGE BEARINGS



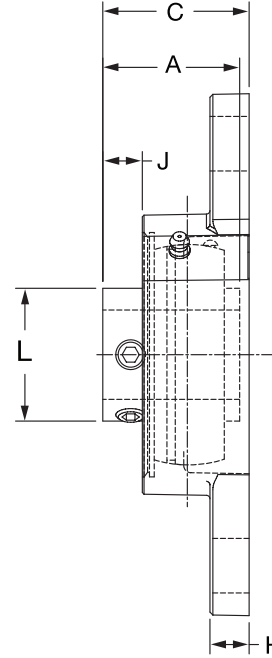
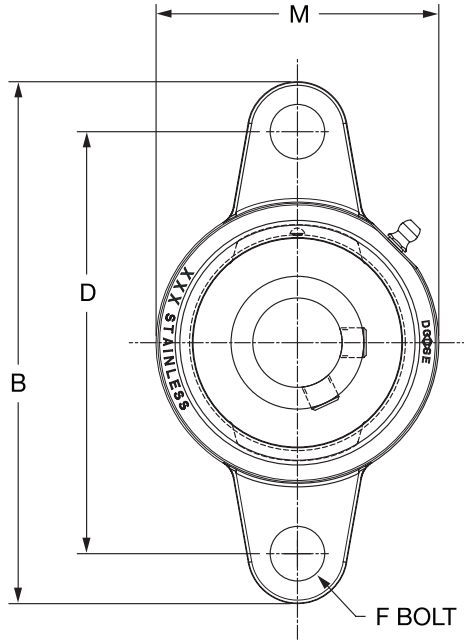
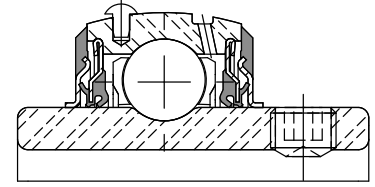
Series	Shaft Size	With Stainless Steel Insert		Weight lbs kg	A	B	C	D	F Bolt Dia.	H	J	L	M
		Part No.	Description										
204	3/4	136710	F2B-SCEZ-012-PSS	0.40	1.23	4.45	1.44	3.54	3/8	0.53	0.32	1.11	2.35
	20mm	136751	F2B-SCEZ-20M-PSS	0.24	31.2	113.0	36.4	89.9	M10	13.5	8.0	28.2	59.7
205	1	136711	F2B-SCEZ-100-PSS	0.56	1.34	4.92	1.50	3.90	3/8	0.54	0.36	1.32	2.71
	25mm	136752	F2B-SCEZ-25M-PSS	0.28	34.0	125.0	38.1	99.1	M10	13.7	9.2	33.5	68.8
206	1-3/16	136712	F2B-SCEZ-103-PSS	0.86	1.52	5.58	1.69	4.59	3/8	0.60	0.45	1.57	3.19
	1-1/4	136713	F2B-SCEZ-104S-PSS	0.84									
	30mm	136753	F2B-SCEZ-30M-PSS	0.39	38.6	141.7	42.9	116.6	M10	15.2	11.4	39.9	81.0
207	1-1/4	136714	F2B-SCEZ-104-PSS	1.36	1.71	6.31	1.82	5.12	1/2	0.62	0.54	1.84	3.69
	1-7/16	136715	F2B-SCEZ-107-PSS	1.24									
	35mm	136754	F2B-SCEZ-35M-PSS	0.61	43.4	160.3	46.3	130.0	M12	15.7	13.8	46.7	93.7
208	1-1/2	136716	F2B-SCEZ-108-PSS	1.82	1.94	6.77	2.08	5.65	1/2	0.67	0.63	2.05	4.06
	40mm	136755	F2B-SCEZ-40M-PSS	0.76	49.3	172.0	52.8	143.5	M12	17.0	15.9	52.1	103.1
209	1-11/16	136717	F2B-SCEZ-111-PSS	2.00	1.94	7.07	2.08	5.85	9/16	0.72	0.62	2.22	4.31
	45mm	136756	F2B-SCEZ-45M-PSS	0.88	49.3	179.6	52.8	148.6	M14	18.3	15.7	56.4	109.5
210	1-15/16	136718	F2B-SCEZ-115-PSS	2.12	1.94	7.47	2.08	6.18	5/8	0.76	0.63	2.43	4.50
	50mm	136987 136757	F2B-SCEZ-200-PSS F2B-SCEZ-50M-PSS	2.08 0.96	49.3	189.7	52.8	157.0	M16	19.3	15.9	61.7	114.3

FEATURES/BENEFITS PAGE B1-3	HOW TO ORDER/NOMENCLATURE PAGE B1-6	EASY SELECTION PAGE B1-7	ACCESSORIES PAGE B1-35
--------------------------------	--	-----------------------------	---------------------------

SELECTION/DIMENSIONS



ULTRA KLEEN Mounted Bearings SCEZ SHSS NORMAL DUTY STAINLESS STEEL HOUSED 2-BOLT FLANGE BEARINGS



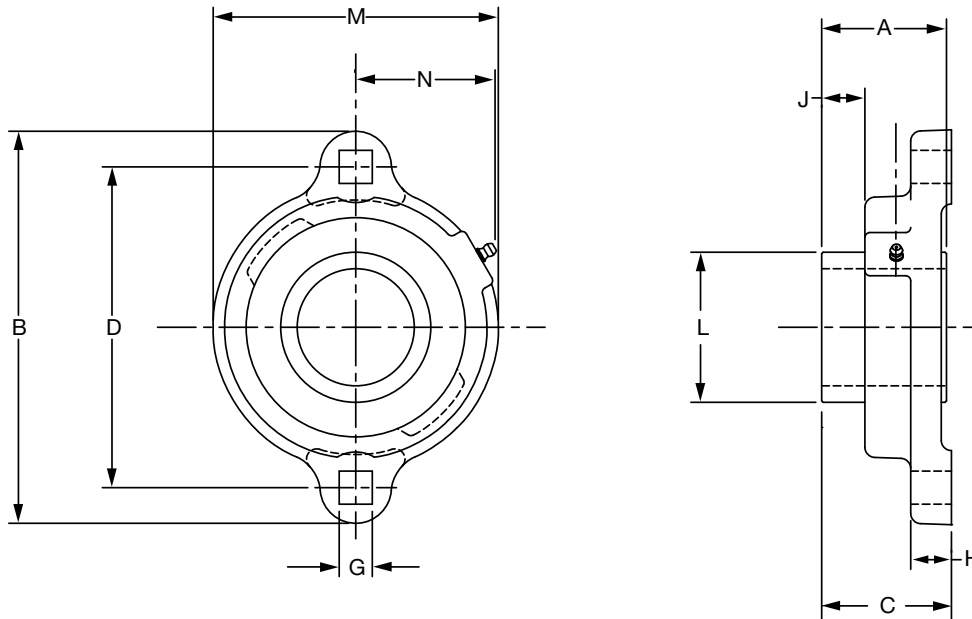
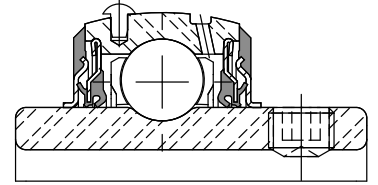
Series	Shaft Size	With Stainless Steel Insert		Weight lbs kg	A	B	C	D	F Bolt Dia.	H	J	L	M
		Part No.	Description										
204	3/4	136793	F2B-SCEZ-012-SHSS	0.95	1.23	4.38	1.25	3.54	3/8	0.32	0.36	1.11	2.38
	20mm	136861	F2B-SCEZ-20M-SHSS	0.42	31.2	111.3	31.7	89.9	M10	8.1	9.1	28.2	60.5
205	1	136794	F2B-SCEZ-100-SHSS	1.21	1.34	4.89	1.37	3.89	3/8	0.35	0.39	1.32	2.63
	25mm	136862	F2B-SCEZ-25M-SHSS	0.55	34.0	124.2	34.7	98.8	M10	8.9	9.9	33.5	66.8
206	1-3/16	136795	F2B-SCEZ-103-SHSS	1.91	1.52	5.51	1.59	4.59	3/8	0.35	0.46	1.57	3.13
	1-1/4	136796	F2B-SCEZ-104S-SHSS	1.87									
	30mm	136863	F2B-SCEZ-30M-SHSS	0.87	38.6	140.0	40.4	116.6	M10	8.9	11.7	39.9	79.5
207	1-1/4	136797	F2B-SCEZ-104-SHSS	2.64	1.71	6.18	1.76	5.12	1/2	0.42	0.55	1.84	3.50
	1-7/16	136798	F2B-SCEZ-107-SHSS	2.47									
	35mm	136864	F2B-SCEZ-35M-SHSS	1.15	43.4	157.0	44.8	130.0	M12	10.7	13.9	46.7	88.9
208	1-1/2	136799	F2B-SCEZ-108-SHSS	3.40	1.94	6.71	1.97	5.65	1/2	0.42	0.63	2.05	3.84
	40mm	136865	F2B-SCEZ-40M-SHSS	1.50	49.3	170.4	50.1	143.5	M12	10.7	16.1	52.1	97.5
210	1-15/16	136800	F2B-SCEZ-115-SHSS	4.17	1.94	7.48	1.98	6.18	5/8	0.48	0.63	2.43	4.31
	2 50mm	136991 136866	F2B-SCEZ-200-SHSS F2B-SCEZ-50M-SHSS	4.13 1.87	49.3 190.0		50.3 157.0		M16	12.2	16.1	61.7	109.5

FEATURES/BENEFITS PAGE B1-3	HOW TO ORDER/NOMENCLATURE PAGE B1-6	EASY SELECTION PAGE B1-7	ACCESSORIES PAGE B1-35
--------------------------------	--	-----------------------------	---------------------------

SELECTION/DIMENSIONS



ULTRA KLEEN Mounted Bearings SCEZ SHSS NORMAL DUTY STAINLESS STEEL HOUSED 2-BOLT FLANGE BEARINGS



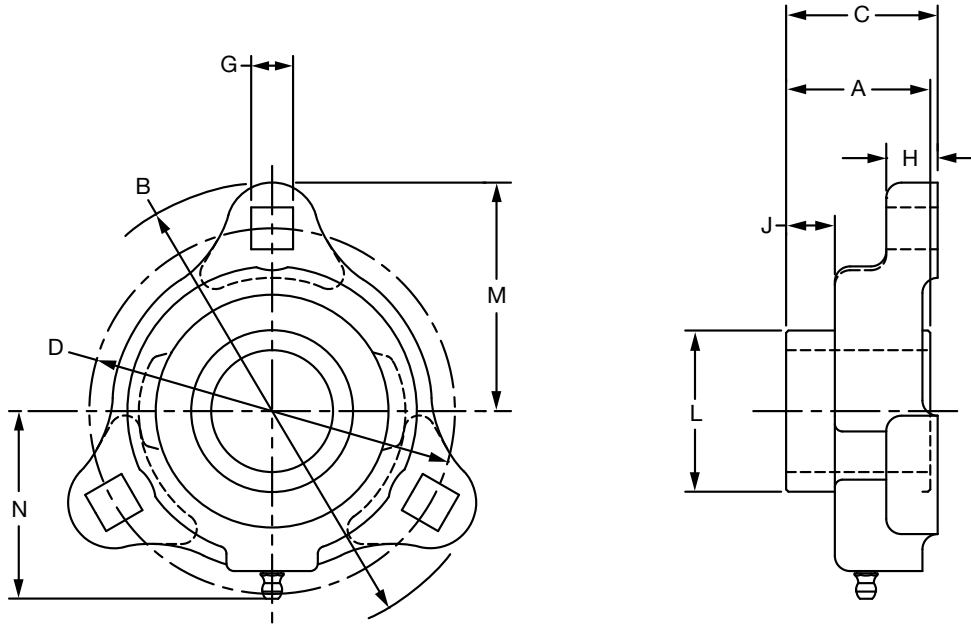
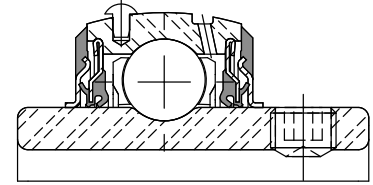
Series	Shaft Size	With Stainless Steel Insert		Weight lbs kg	A	B	C	D	G	H	J	L	M	N
		Part No.	Description											
204	3/4	136817	LFT-SCEZ-012-SHSS	.68	1.23	3.56	1.25	2.81	0.34	0.58	0.37	1.11	2.38	1.55
	20 mm	136879	LFT-SCEZ-20M-SHSS	.31	31.2	90.4	31.7	71.4	8.6	14.7	9.5	28.2	60.5	39.4
205	1	136818	LFT-SCEZ-100-SHSS	.84	1.34	3.75	1.36	3.00	0.34	0.50	0.39	1.32	2.63	1.67
	25 mm	136880	LFT-SCEZ-25M-SHSS	.38	34.0	95.3	34.6	76.2	8.6	12.7	10.0	33.5	66.8	42.4
206	1-3/16	136819	LFT-SCEZ-103-SHSS	1.88	1.52	4.44	1.60	3.56	0.41	0.61	0.51	1.57	3.25	1.98
	1-1/4 30 mm	136820 136881	LFT-SCEZ-104S-SHSS LFT-SCEZ-30M-SHSS	.85	38.6	112.8	40.5	90.4	10.4	15.5	13.0	39.9	82.6	50.3
207	1-1/4	136821	LFT-SCEZ-104-SHSS	1.77	1.71	4.81	1.74	3.94	0.41	0.67	0.55	1.84	3.50	2.09
	1-7/16 35 mm	136822 136882	LFT-SCEZ-107-SHSS LFT-SCEZ-35M-SHSS	.80	43.4	122.2	44.3	100.1	10.4	17.1	13.9	46.7	88.9	53.1

FEATURES/BENEFITS PAGE B1-3	HOW TO ORDER/NOMENCLATURE PAGE B1-6	EASY SELECTION PAGE B1-7	ACCESSORIES PAGE B1-35
--------------------------------	--	-----------------------------	---------------------------

SELECTION/DIMENSIONS



ULTRA KLEEN Mounted Bearings SCEZ SHSS NORMAL DUTY STAINLESS STEEL HOUSED 3-BOLT FLANGE BEARINGS



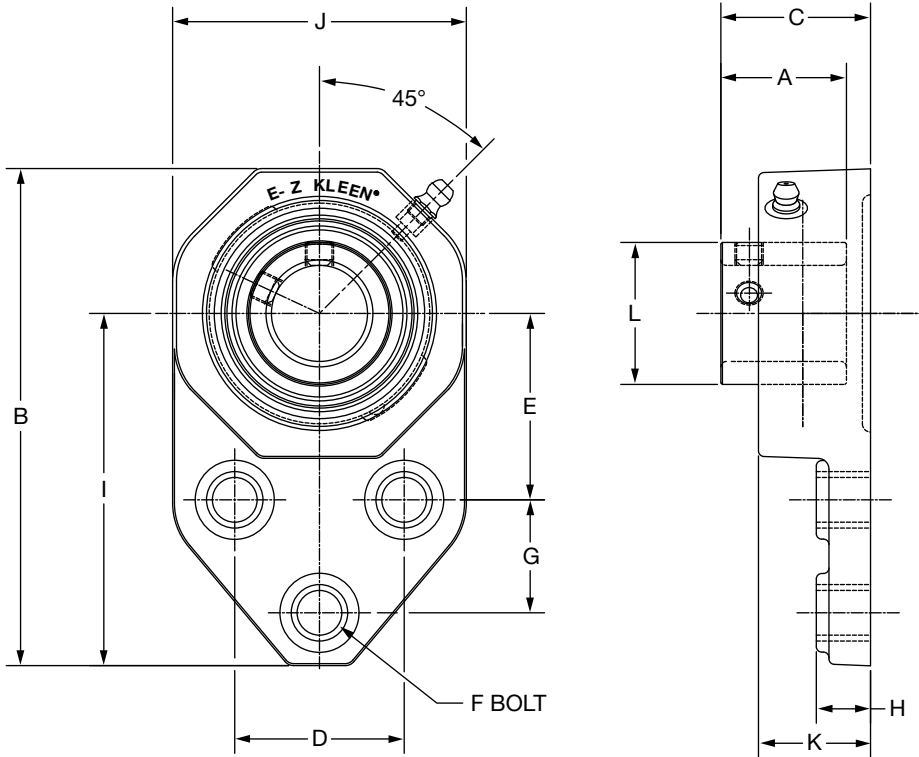
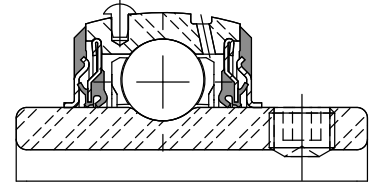
Series	Shaft Size	With Stainless Steel Insert		Weight lbs kg	A	B	C	D	G	H	J	L	M	N
		Part No.	Description											
204	3/4	136809	LF-SCEZ-012-SHSS	.64	1.23	3.56	1.25	2.81	0.34	0.58	0.37	1.11	1.78	1.55
	20 mm	136873	LF-SCEZ-20M-SHSS	.29	31.2	90.4	31.7	71.4	8.6	14.7	9.5	28.2	45.2	39.4
205	1	136810	LF-SCEZ-100-SHSS	.80	1.34	3.75	1.36	3.00	0.34	0.50	0.39	1.32	1.88	1.67
	25 mm	136874	LF-SCEZ-25M-SHSS	.36	34.0	95.3	34.6	76.2	8.6	12.7	10.0	33.5	47.8	42.4
206	1-3/16	136811	LF-SCEZ-103-SHSS	1.09	1.52	4.44	1.60	3.56	0.41	0.61	0.51	1.57	2.22	1.98
	1-1/4	136812	LF-SCEZ-104S-SHSS											
	30 mm	136875	LF-SCEZ-30M-SHSS	.54	38.6	112.8	40.5	90.4	10.4	15.5	13.0	39.9	56.4	50.3
207	1-1/4	136813	LF-SCEZ-104-SHSS	1.73	1.71	4.81	1.74	3.94	0.41	0.67	0.55	1.84	2.41	2.09
	1-7/16	136814	LF-SCEZ-107-SHSS											
	35 mm	136876	LF-SCEZ-35M-SHSS	.79	43.4	122.2	44.3	100.1	10.4	17.1	13.9	46.7	61.2	53.1

FEATURES/BENEFITS PAGE B1-3	HOW TO ORDER/NOMENCLATURE PAGE B1-6	EASY SELECTION PAGE B1-7	ACCESSORIES PAGE B1-35
--------------------------------	--	-----------------------------	---------------------------

SELECTION/DIMENSIONS



ULTRA KLEEN Mounted Bearings SCEZ PSS NORMAL DUTY POLYMER HOUSED FLANGE BEARING



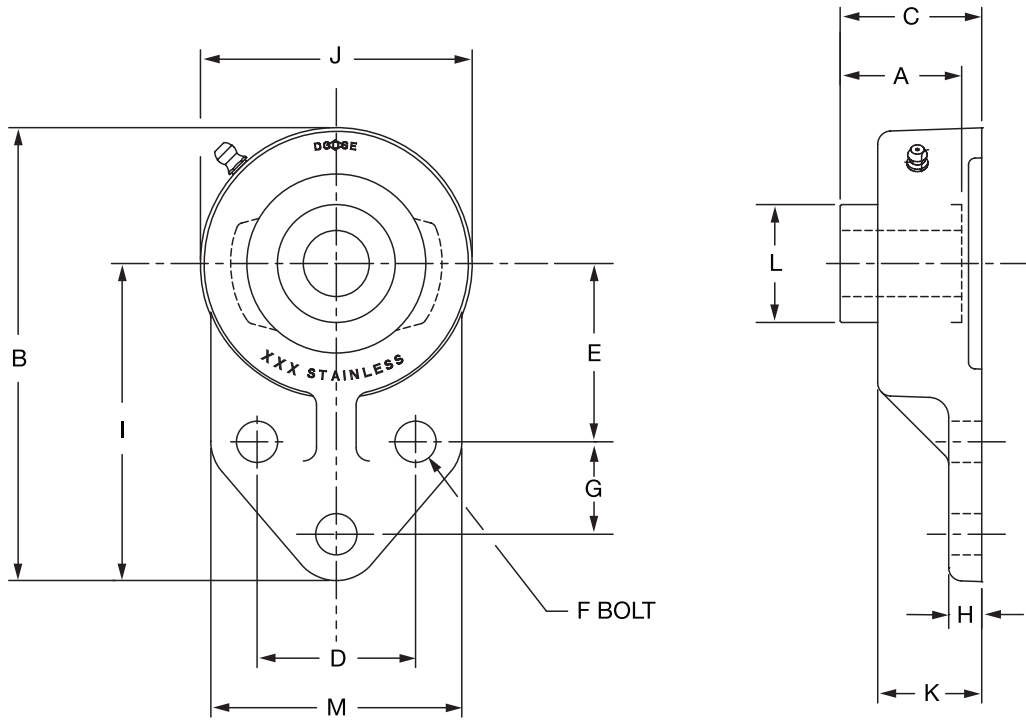
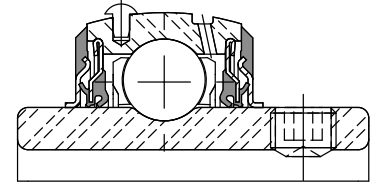
Series	Shaft Size	With Stainless Steel Insert		Weight lbs kg	A	B	C	D	E	F Bolt Dia.	G	H	I	J	K	L
		Part No.	Description													
204	3/4	136719	FB-SCEZ-012-PSS	0.47	1.23	4.39	1.44	1.50	1.69	3/8	0.88	0.53	3.22	2.34	1.12	1.11
	20mm	136758	FB-SCEZ-20M-PSS	0.23	31.2	111.5	36.4	38.1	42.9	M10	22.4	13.5	81.8	59.4	28.4	28.2
205	1	136720	FB-SCEZ-100-PSS	0.69	1.34	4.91	1.50	1.63	1.81	3/8	1.13	0.54	3.56	2.71	1.14	1.32
	25mm	136759	FB-SCEZ-25M-PSS	0.32	34.0	124.7	38.1	41.4	46.0	M10	28.7	13.7	90.4	68.8	29.0	33.5
206	1-3/16	136721	FB-SCEZ-103-PSS	1.07	1.52	5.48	1.69	1.88	2.06	3/8	1.25	0.60	3.88	3.20	1.24	1.57
	1-1/4	136722	FB-SCEZ-104S-PSS	1.05												
	30mm	136760	FB-SCEZ-30M-PSS	0.48	38.6	139.2	42.9	47.8	52.3	M10	31.8	15.2	98.6	81.3	31.5	39.9
207	1-1/4	136723	FB-SCEZ-104-PSS	1.87	1.71	6.11	1.82	2.00	2.38	1/2	1.25	0.62	4.26	3.69	1.28	1.84
	1-7/16	136724	FB-SCEZ-107-PSS	1.71												
	35mm	136761	FB-SCEZ-35M-PSS	0.83	43.4	155.2	46.3	50.8	60.5	M12	31.8	15.7	108.2	93.7	32.5	46.7

FEATURES/BENEFITS PAGE B1-3	HOW TO ORDER/NOMENCLATURE PAGE B1-6	EASY SELECTION PAGE B1-7	ACCESSORIES PAGE B1-35
--------------------------------	--	-----------------------------	---------------------------

SELECTION/DIMENSIONS



ULTRA KLEEN Mounted Bearings SCEZ SHSS NORMAL DUTY STAINLESS STEEL HOUSED FLANGE BRACKET BEARINGS



Series	Shaft Size	With Stainless Steel Insert	
		Part No.	Description
204	3/4	136801	FB-SCEZ-012-SHSS
	20mm	136867	FB-SCEZ-20M-SHSS
205	1	136802	FB-SCEZ-100-SHSS
	25mm	136868	FB-SCEZ-25M-SHSS
206	1-3/16	136803	FB-SCEZ-103-SHSS
	1-1/4	136804	FB-SCEZ-104S-SHSS
	30mm	136869	FB-SCEZ-30M-SHSS
207	1-1/4	136805	FB-SCEZ-104-SHSS
	1-7/16	136806	FB-SCEZ-107-SHSS
	35mm	136870	FB-SCEZ-35M-SHSS
210	1-15/16	136808	FB-SCEZ-115-SHSS
	2	136992	FB-SCEZ-200-SHSS
	50mm	136872	FB-SCEZ-50M-SHSS

FEATURES/BENEFITS PAGE B1-3	HOW TO ORDER/NOMENCLATURE PAGE B1-6	EASY SELECTION PAGE B1-7	ACCESSORIES PAGE B1-35
--------------------------------	--	-----------------------------	---------------------------

SELECTION/DIMENSIONS



ULTRA KLEEN Mounted Bearings SCEZ SHSS NORMAL DUTY STAINLESS STEEL HOUSED FLANGE BRACKET BEARINGS

Bearing Reference Guide

ULTRA KLEEN

E-Z KLEEN

Extreme Duty

Setscrew Ball Bearing

GRIP TIGHT

D-LOK Ball Bearing

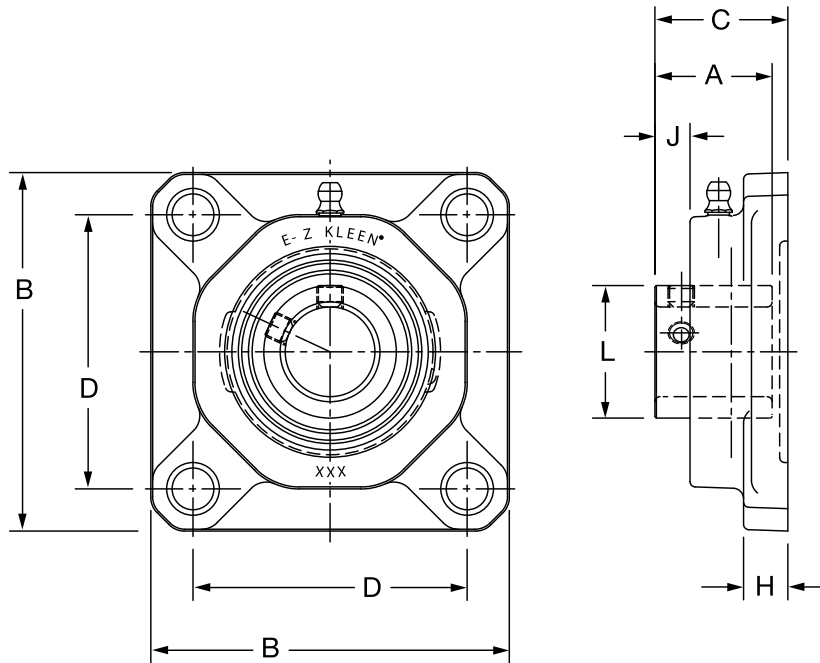
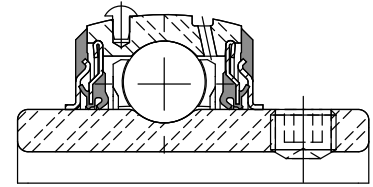
Series	Shaft Size	Weight lbs kgs	A	B	C	D	E	F Bolt Dia	G	H	I	J	K	L	M
204	3/4	1.00	1.23	4.19	1.25	1.50	1.69	3/8	0.88	0.31	3.00	2.38	0.90	1.11	2.38
	20 mm	.45	31.2	106.4	31.8	38.1	42.9	M10	22.4	7.9	76.2	60.4	22.9	28.2	60.5
205	1	1.26	1.34	4.69	1.37	1.63	1.81	3/8	1.13	0.38	3.38	2.62	0.98	1.32	2.50
	25 mm	.52	34.0	119.1	34.7	41.4	46.0	M10	28.7	9.7	85.9	66.4	24.9	33.5	63.5
206	1-3/16	1.95	1.52	5.31	1.59	1.88	2.06	3/8	1.25	0.38	3.75	3.12	1.14	1.57	2.75
	1-1/4 30 mm	.89	38.6	134.9	40.4	47.8	52.3	M10	31.8	9.7	95.3	79.2	29.0	39.9	69.9
207	1-1/4	2.87	1.71	6.00	1.76	2.00	2.38	1/2	1.25	0.50	4.25	3.12	1.22	1.84	3.25
	1-7/16 35 mm	1.3	43.4	152.4	44.8	50.8	60.5	M12	31.8	12.7	108.0	88.8	31.0	46.7	82.6
210	1-15/16	4.43	1.94	7.34	1.98	2.75	2.94	1/2	1.63	0.50	5.19	4.30	1.35	2.43	4.00
	2 50 mm	2.01	49.3	186.4	50.3	69.9	74.7	M12	41.4	12.7	131.8	109.2	34.3	61.7	101.6

FEATURES/BENEFITS PAGE B1-3	HOW TO ORDER/NOMENCLATURE PAGE B1-6	EASY SELECTION PAGE B1-7	ACCESSORIES PAGE B1-35
--------------------------------	--	-----------------------------	---------------------------

SELECTION/DIMENSIONS



ULTRA KLEEN Mounted Bearings SCEZ PSS NORMAL DUTY POLYMER HOUSED 4-BOLT FLANGE BEARINGS



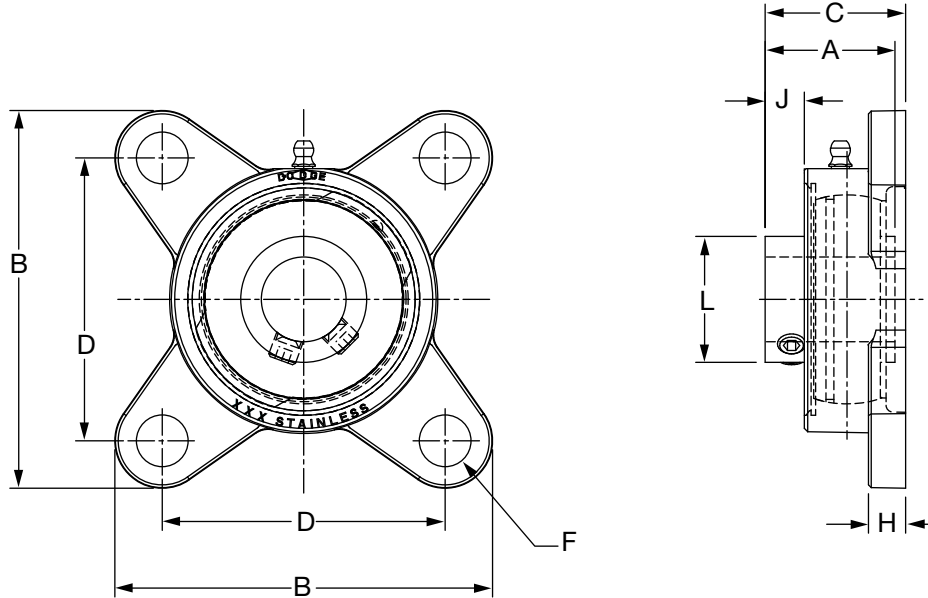
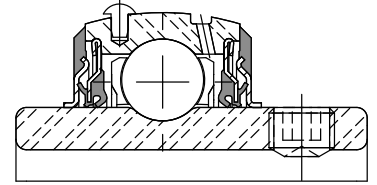
Series	Shaft Size	With Stainless Steel Insert		Weight lbs kg	A	B	C	D	F Bolt Dia.	H	J	L
		Part No.	Description									
204	3/4	136725	F4B-SCEZ-012-PSS	0.55	1.23	3.38	1.46	2.50	3/8	0.53	0.30	1.11
	20 mm	136762	F4B-SCEZ-20M-PSS	0.27	31.2	85.9	37.0	63.5	M10	13.5	7.5	28.2
205	1	136726	F4B-SCEZ-100-PSS	0.67	1.34	3.75	1.52	2.75	3/8	0.54	0.36	1.32
	25 mm	136763	F4B-SCEZ-25M-PSS	0.32	34.0	95.3	38.6	69.9	M10	13.7	9.2	33.5
206	1-3/16	136727	F4B-SCEZ-103-PSS	0.86	1.52	4.25	1.72	3.25	3/8	0.60	0.45	1.57
	1-1/4	136728	F4B-SCEZ-104S-PSS	0.84								
	30 mm	136764	F4B-SCEZ-30M-PSS	0.39	38.6	108.0	43.7	82.6	M10	15.2	11.4	39.9
207	1-1/4	136729	F4B-SCEZ-104-PSS	1.40	1.71	4.65	1.84	3.63	1/2	0.62	0.53	1.84
	1-7/16	136730	F4B-SCEZ-107-PSS	1.24								
	35 mm	136765	F4B-SCEZ-35M-PSS	0.61	43.4	118.1	46.8	92.2	M12	15.7	13.5	46.7
208	1-1/2	136731	F4B-SCEZ-108-PSS	1.82	1.94	5.12	2.10	4.00	1/2	0.67	0.62	2.05
	40 mm	136766	F4B-SCEZ-40M-PSS	0.76	49.3	130.0	53.3	101.6	M12	17.0	15.7	52.1
209	1-11/16	136732	F4B-SCEZ-111-PSS	2.00	1.94	5.38	2.10	4.13	9/16	0.72	0.62	2.22
	45 mm	136767	F4B-SCEZ-45M-PSS	0.88	49.3	136.7	53.3	104.9	M14	18.3	15.7	56.4
210	1-15/16	136733	F4B-SCEZ-115-PSS	2.12	1.94	5.62	2.24	4.38	5/8	0.76	0.63	2.43
	2 50 mm	136988 136768	F4B-SCEZ-200-PSS F4B-SCEZ-50M-PSS	2.03 0.96	49.3	142.7	56.8	111.3	M16	19.3	15.9	61.7

FEATURES/BENEFITS PAGE B1-3	HOW TO ORDER/NOMENCLATURE PAGE B1-6	EASY SELECTION PAGE B1-7	ACCESSORIES PAGE B1-35
--------------------------------	--	-----------------------------	---------------------------

SELECTION/DIMENSIONS



ULTRA KLEEN Mounted Bearings SCEZ SHSS NORMAL DUTY STAINLESS STEEL HOUSED 4-BOLT FLANGE BEARINGS



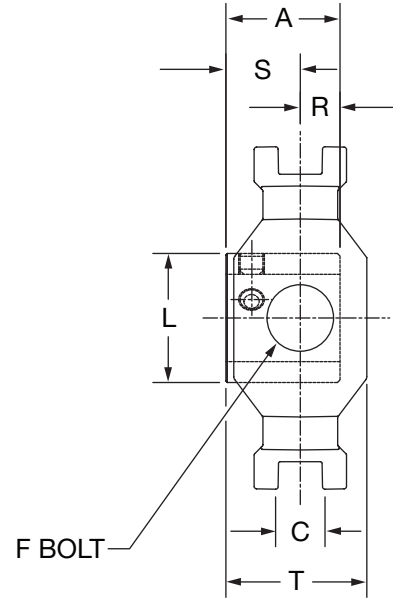
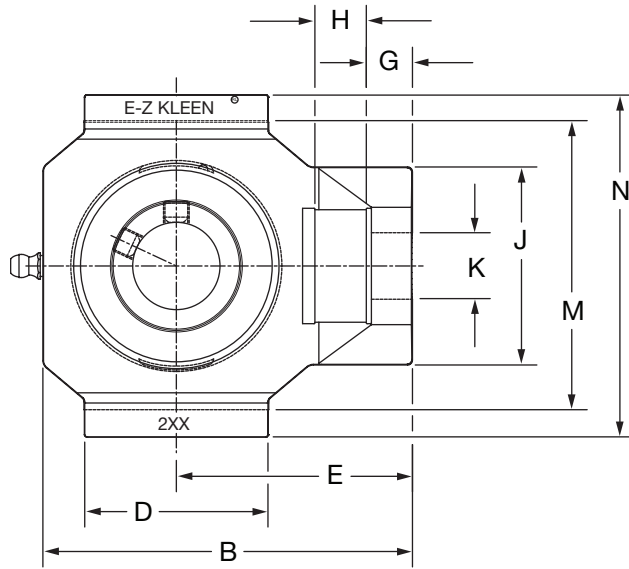
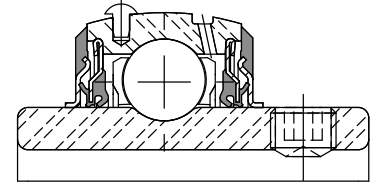
Series	Shaft Size	With Stainless Steel Insert		Weight lbs kg	A	B	C	D	F Bolt Dia.	H	J	L
		Part No.	Description									
204	3/4	136825	F4B-SCEZ-012-SHSS	1.08	1.23	3.35	1.25	2.51	3/8	0.34	0.34	1.11
	20 mm	136885	F4B-SCEZ-20M-SHSS	0.49	31.2	85.1	31.7	63.8	M10	8.6	8.8	28.2
205	1	136826	F4B-SCEZ-100-SHSS	1.39	1.34	3.75	1.37	2.75	3/8	0.37	0.38	1.32
	25 mm	136886	F4B-SCEZ-25M-SHSS	0.63	34.0	95.3	34.7	69.9	M10	9.4	9.5	33.5
206	1-3/16	136827	F4B-SCEZ-103-SHSS	2.09	1.52	4.16	1.59	3.24	3/8	0.37	0.45	1.57
	1-1/4 30 mm	136828 136887	F4B-SCEZ-104S-SHSS F4B-SCEZ-30M-SHSS	2.05 0.95	38.6	105.7	40.4	82.3	M10	9.4	11.4	39.9
207	1-1/4	136829	F4B-SCEZ-104-SHSS	2.95	1.71	4.68	1.76	3.62	1/2	0.42	0.55	1.84
	1-7/16 35 mm	136830 136888	F4B-SCEZ-107-SHSS F4B-SCEZ-35M-SHSS	2.78 1.29	43.4	118.9	44.8	91.9	M12	10.7	13.9	46.7
208	1-1/2	136831	F4B-SCEZ-108-SHSS	3.70	1.94	5.06	1.97	4.00	1/2	0.43	0.62	2.05
	40 mm	136889	F4B-SCEZ-40M-SHSS	1.64	49.3	128.5	50.1	101.6	M12	10.9	15.7	52.1
210	1-15/16	136832	F4B-SCEZ-115-SHSS	4.60	1.94	5.67	1.98	4.37	5/8	0.49	0.62	2.43
	2 50 mm	136993 136890	F4B-SCEZ-200-SHSS F4B-SCEZ-50M-SHSS	4.56 2.07	49.3	144.0	50.3	111.0	M16	12.4	15.7	61.7

FEATURES/BENEFITS PAGE B1-3	HOW TO ORDER/NOMENCLATURE PAGE B1-6	EASY SELECTION PAGE B1-7	ACCESSORIES PAGE B1-35
--------------------------------	--	-----------------------------	---------------------------



SELECTION/DIMENSIONS

ULTRA KLEEN Mounted Bearings SCEZ PSS NORMAL DUTY POLYMER HOUSED WIDE SLOT TAKE-UP BEARINGS



Series	Shaft Size	With Stainless Steel Insert	
		Part No.	Description
204	3/4	136734	WSTU-SCEZ-012-PSS
	20mm	136769	WSTU-SCEZ-20M-PSS
205	1	136735	WSTU-SCEZ-100-PSS
	25mm	136770	WSTU-SCEZ-25M-PSS
206	1-3/16	136736	WSTU-SCEZ-103-PSS
	1-1/4	136737	WSTU-SCEZ-104S-PSS
207	30mm	136771	WSTU-SCEZ-30M-PSS
	1-1/4	136738	WSTU-SCEZ-104-PSS
207	1-7/16	136739	WSTU-SCEZ-107-PSS
	35mm	136772	WSTU-SCEZ-35M-PSS

FEATURES/BENEFITS PAGE B1-3	HOW TO ORDER/NOMENCLATURE PAGE B1-6	EASY SELECTION PAGE B1-7	ACCESSORIES PAGE B1-35
--------------------------------	--	-----------------------------	---------------------------

SELECTION/DIMENSIONS



ULTRA KLEEN Mounted Bearings SCEZ PSS NORMAL DUTY POLYMER HOUSED WIDE SLOT TAKE-UP BEARINGS

Bearing Reference Guide
 ULTRA KLEEN
 E-Z KLEEN
 Extreme Duty
 Setscrew Ball Bearing
 GRIP TIGHT
 D-LOK Ball Bearing

Series	Shaft Size	Weight lbs kg	Take-Up Frame No. Ref.	A	B	C	D	E	F Thd Shaft	G
204	3/4	0.66	WS300	1.23	3.81	0.530	2.10	2.50	5/8	0.56
	20 mm	0.31		31.2	96.8	13.46	53.3	63.5	15.9	14.2
205	1	0.72	WS300	1.34	3.97	0.530	2.20	2.56	5/8	0.56
	25 mm	0.34		34.0	100.8	13.46	55.9	65.0	15.9	14.2
206	1-3/16	1.07	WS308	1.52	4.49	0.530	2.29	2.86	3/4	0.56
	1-1/4			38.6	114.0	13.46	58.2	72.6	19.1	14.2
207	30 mm	0.49	WS308	1.71	4.99	0.530	2.25	3.10	3/4	0.56
	1-7/16	1.42		43.4	126.7	13.46	57.2	78.7	19.1	14.2
	35 mm	0.69								

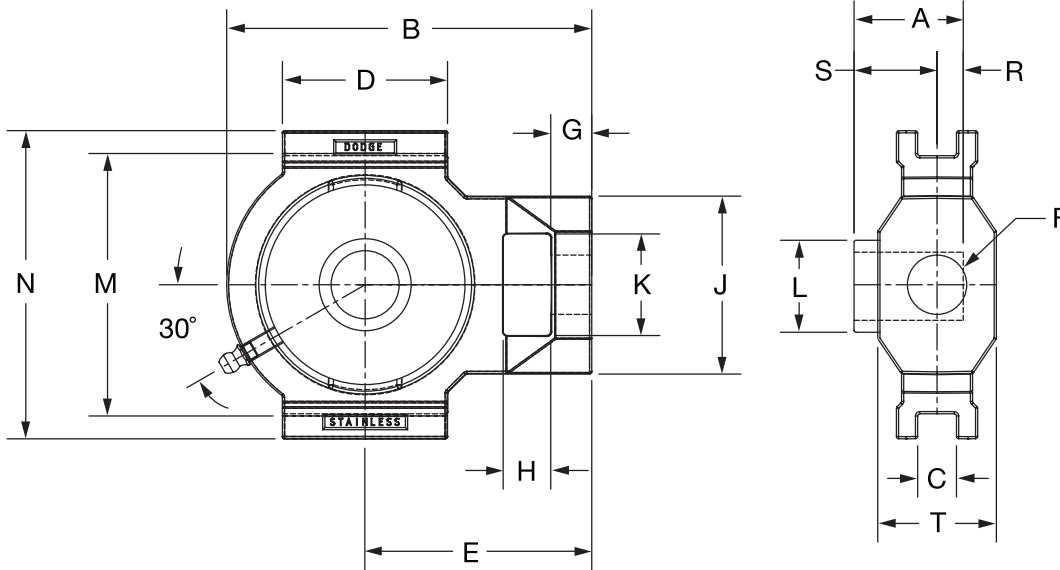
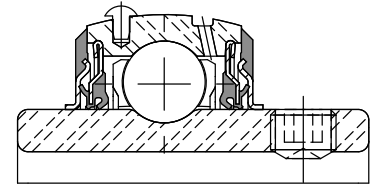
Series	Shaft Size	H	J	K	L	M	N	R	S	T
204	3/4	0.65	2.10	0.71	1.11	3.015/2.985	3.63	0.50	0.73	1.38
	20 mm	16.5	53.3	18.0	28.2	76.58/75.82	92.2	12.7	18.5	35.1
205	1	0.65	2.12	0.71	1.32	3.030/3.000	3.63	0.56	0.78	1.38
	25 mm	16.5	53.8	18.0	33.5	76.96/76.20	92.2	14.2	19.8	35.1
206	1-3/16	0.65	2.41	0.81	1.57	3.525/3.495	4.20	0.58	0.94	1.62
	1-1/4									
207	30 mm	0.65	2.41	0.81	1.84	3.540/3.510	4.20	0.67	1.04	1.62
	1-7/16	16.5	61.2	20.6	46.7	89.93/89.15	106.7	17.0	26.4	41.1
	35 mm									

FEATURES/BENEFITS PAGE B1-3	HOW TO ORDER/NOMENCLATURE PAGE B1-6	EASY SELECTION PAGE B1-7	ACCESSORIES PAGE B1-35
--------------------------------	--	-----------------------------	---------------------------

SELECTION/DIMENSIONS



ULTRA KLEEN Mounted Bearings SCEZ SHSS NORMAL DUTY STAINLESS STEEL HOUSED WIDE SLOT TAKE-UP BEARINGS



Series	Shaft Size	Standard	
		Part No.	Description
204	3/4	136841	WSTU-SCEZ-012-SHSS
	20mm	136897	WSTU-SCEZ-20M-SHSS
205	1	136842	WSTU-SCEZ-100-SHSS
	25mm	136898	WSTU-SCEZ-25M-SHSS
206	1-3/16	136843	WSTU-SCEZ-103-SHSS
	1-1/4	136844	WSTU-SCEZ-104S-SHSS
	30mm	136899	WSTU-SCEZ-30M-SHSS
207	1-1/4	136845	WSTU-SCEZ-104-SHSS
	1-7/16	136846	WSTU-SCEZ-107-SHSS
	35mm	136900	WSTU-SCEZ-35M-SHSS
208	1-1/2	136847	WSTU-SCEZ-108-SHSS
	40mm	136901	WSTU-SCEZ-40M-SHSS
210	1-15/16	136848	WSTU-SCEZ-115-SHSS
	2	136995	WSTU-SCEZ-200-SHSS
	50mm	136902	WSTU-SCEZ-50M-SHSS

FEATURES/BENEFITS PAGE B1-3	HOW TO ORDER/NOMENCLATURE PAGE B1-6	EASY SELECTION PAGE B1-7	ACCESSORIES PAGE B1-35
--------------------------------	--	-----------------------------	---------------------------

SELECTION/DIMENSIONS



ULTRA KLEEN Mounted Bearings SCEZ SHSS NORMAL DUTY STAINLESS STEEL HOUSED WIDE SLOT TAKE-UP BEARINGS

Bearing Reference Guide

ULTRA KLEEN

E-Z KLEEN

Extreme Duty

Setscrew Ball Bearing

GRIP TIGHT

D-LOK Ball Bearing

Series	Shaft Size	Weight lbs. kg	Take-Up Frame No. Ref.	A	B	C	D	E	F Screw Dia	G
204	3/4	2.14	WS300	1.23	3.97	0.530	2.20	2.56	5/8	0.56
	20mm	.97		31.2	100.8	13.46	55.9	65.0	15.9	14.2
205	1	2.03	WS300	1.34	3.97	0.530	2.20	2.56	5/8	0.56
	25mm	.92		34.0	100.8	13.46	55.9	65.0	15.9	14.2
206	1-3/16	3.36	WS308	1.52	4.99	0.530	2.26	3.10	3/4	0.56
	1-1/4	1.52		38.6	126.7	13.46	57.4	78.7	19.1	14.2
207	1-1/4	3.21	WS308	1.71	4.99	0.530	2.26	3.10	3/4	0.56
	1-7/16	1.46		43.4	126.7	13.46	57.4	78.7	19.1	14.2
208	1-1/2	4.52	WS400	1.94	5.63	0.688	3.25	3.50	1	0.63
	40mm	2.1		49.3	143.0	17.48	82.6	88.9	25.4	16.0
210	1-15/16	4.03	WS400	1.94	5.63	0.688	3.25	3.50	1	0.63
	2	1.83		49.3	143.0	17.48	82.6	88.9	25.4	16.0

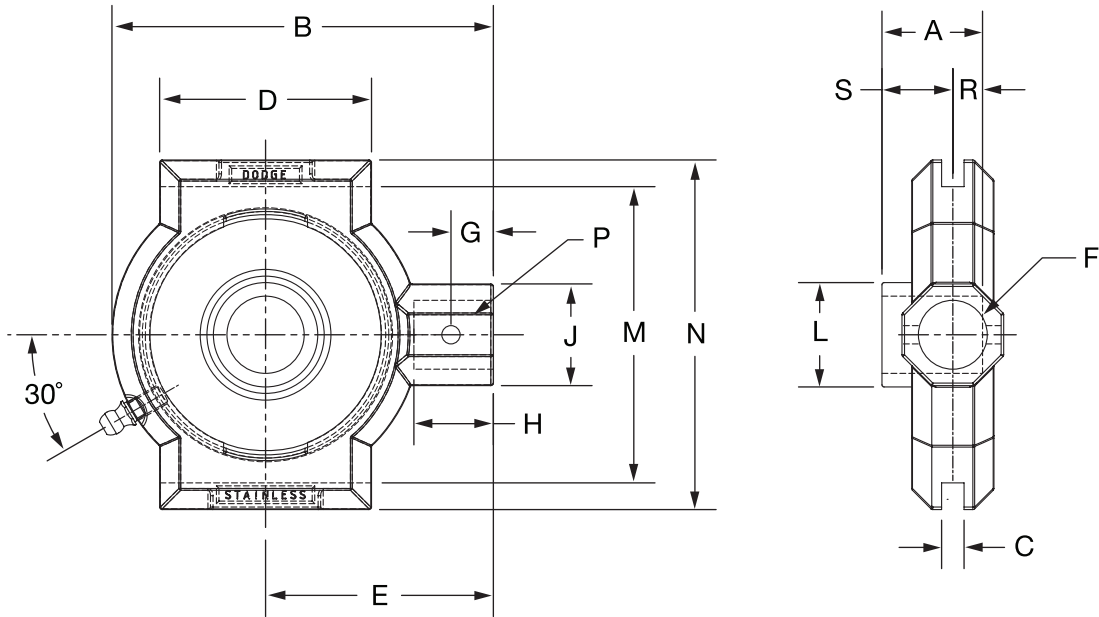
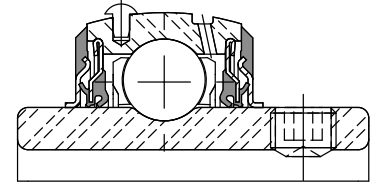
Series	Shaft Size	H	J	K	L	M	N	R	S	T
204	3/4	0.65	2.12	1.15	1.11	3.025/2.995	3.63	0.50	0.73	1.38
	20mm	16.5	53.8	29.2	28.2	76.84/76.07	92.2	12.7	18.5	35.1
205	1	0.65	2.12	1.15	1.32	3.025/2.995	3.63	0.56	0.78	1.38
	25mm	16.5	53.8	29.2	33.5	76.84/76.07	92.2	14.2	19.8	35.1
206	1-3/16	0.65	2.43	1.39	1.57	3.540/3.510	4.20	0.58	0.94	1.62
	1-1/4	16.5	61.7	35.3	39.9	89.92/89.15	106.7	14.7	23.9	41.1
207	1-1/4	0.65	2.43	1.39	1.84	3.540/3.510	4.20	0.67	1.04	1.62
	1-7/16	16.5	61.7	35.3	46.7	89.92/89.15	106.7	17.0	26.4	41.1
208	1-1/2	0.75	2.75	1.94	2.05	4.015/3.985	4.50	0.75	1.19	1.62
	40mm	19.1	69.9	49.3	52.1	101.98/101.22	114.3	19.1	30.2	41.1
210	1-15/16	0.75	2.75	1.94	2.43	4.015/3.985	4.50	0.75	1.19	1.62
	2	19.1	69.9	49.3	61.7	101.98/101.22	114.3	19.1	30.2	41.1

FEATURES/BENEFITS PAGE B1-3	HOW TO ORDER/NOMENCLATURE PAGE B1-6	EASY SELECTION PAGE B1-7	ACCESSORIES PAGE B1-35
--------------------------------	--	-----------------------------	---------------------------

SELECTION/DIMENSIONS



ULTRA KLEEN Mounted Bearings SCEZ SHSS NORMAL DUTY STAINLESS STEEL HOUSED NARROW SLOT TAKE-UP BEARINGS



Series	Shaft Size	Standard	
		Part No.	Description
204S	3/4	136833	NSTU-SCEZ-012-SHSS
	20mm	136891	NSTU-SCEZ-20M-SHSS
205	1	136834	NSTU-SCEZ-100-SHSS
	25mm	136892	NSTU-SCEZ-25M-SHSS
206	1-3/16	136835	NSTU-SCEZ-103-SHSS
	1-1/4	136836	NSTU-SCEZ-104S-SHSS
	30mm	136893	NSTU-SCEZ-30M-SHSS
207	1-1/4	136837	NSTU-SCEZ-104-SHSS
	1-7/16	136838	NSTU-SCEZ-107-SHSS
	35mm	136894	NSTU-SCEZ-35M-SHSS
208	1-1/2	136839	NSTU-SCEZ-108-SHSS
	40mm	136895	NSTU-SCEZ-40M-SHSS
210	1-15/16	136840	NSTU-SCEZ-115-SHSS
	2	136994	NSTU-SCEZ-200-SHSS
	50mm	136896	NSTU-SCEZ-50M-SHSS

FEATURES/BENEFITS PAGE B1-3	HOW TO ORDER/NOMENCLATURE PAGE B1-6	EASY SELECTION PAGE B1-7	ACCESSORIES PAGE B1-35
--------------------------------	--	-----------------------------	---------------------------

SELECTION/DIMENSIONS



ULTRA KLEEN Mounted Bearings SCEZ SHSS NORMAL DUTY STAINLESS STEEL HOUSED NARROW SLOT TAKE-UP BEARINGS

Bearing Reference Guide

ULTRA KLEEN

E-Z KLEEN

Extreme Duty

Setscrew Ball Bearing

GRIP TIGHT

D-LOK Ball Bearing

Series	Shaft Size	Weight lbs. kg	Take-Up Frame No. Ref.	A	B	C	D	E	F Screw Dia	G
204	3/4	1.16	NS210	1.23	3.49	0.265	1.50	2.19	3/4	0.44
	20mm	.53		31.2	88.6	6.73	38.1	55.6	19.1	11.2
205	1	1.06	NS210	1.34	3.49	0.265	1.50	2.19	3/4	0.44
	25mm	.48		34.0	88.6	6.73	38.1	55.6	19.1	11.2
206	1-3/16	2.51	NS308	1.52	4.50	0.265	2.50	2.69	3/4	0.50
	1-1/4	1.14		38.6	114.3	6.73	63.5	68.3	19.1	12.7
207	1-1/4	2.65	NS308	1.71	4.50	0.265	2.50	2.69	3/4	0.50
	1-7/16	1.20		43.4	114.3	6.73	63.5	68.3	19.1	12.7
208	1-1/2	4.08	NS400	1.94	5.38	0.328	3.00	3.25	1	0.66
	40mm	1.85		49.3	136.7	8.33	76.2	82.6	25.4	16.8
210	1-15/16	3.79	NS400	1.94	5.50	0.328	3.00	3.25	1	0.66
	2 50mm	1.72		49.3	139.7	8.33	76.2	82.6	25.4	16.8

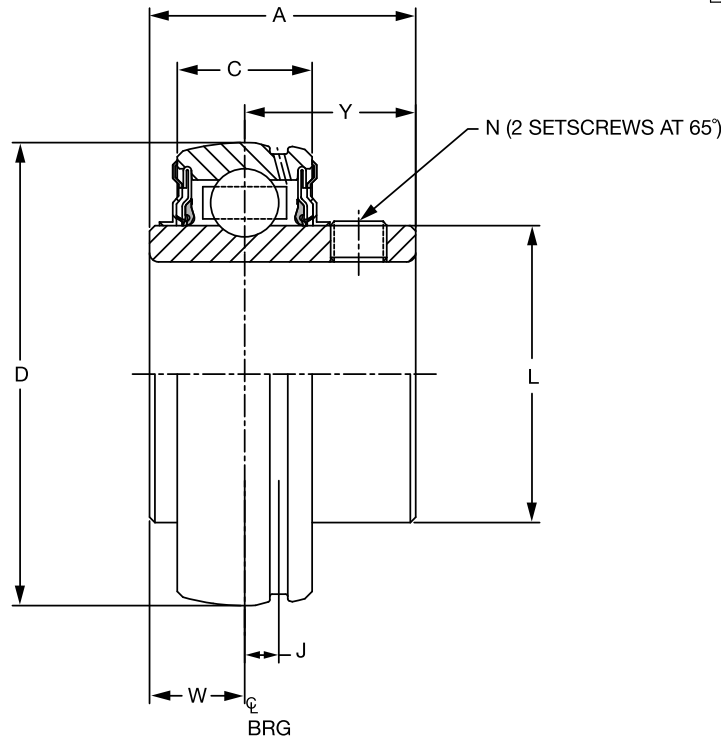
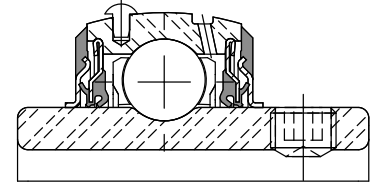
Series	Shaft Size	H	J	L	M	N	Pin Dia	R	S
204	3/4	0.88	1.20	1.11	2.635/2.605	3.13	0.32	0.50	0.73
	20mm	22.4	30.5	28.2	66.93/66.17	79.5	8.1	12.7	18.5
205	1	0.88	1.20	1.32	2.635/2.605	3.13	0.32	0.56	0.78
	25mm	22.4	30.5	33.5	66.93/66.17	79.5	8.1	14.2	19.8
206	1-3/16	0.94	1.20	1.57	3.510/3.480	4.13	0.32	0.58	0.94
	1-1/4	23.9	30.5	39.9	89.15/88.39	104.9	8.1	14.7	23.9
207	1-1/4	0.94	1.20	1.84	3.510/3.480	4.13	0.32	0.67	1.04
	1-7/16	23.9	30.5	46.7	89.15/88.39	104.9	8.1	17.0	26.4
208	1-1/2	1.16	1.50	2.05	4.015/3.985	4.75	0.38	0.75	1.19
	40mm	29.5	38.1	52.1	101.98/101.22	120.7	9.7	19.1	30.2
210	1-15/16	1.16	1.50	2.43	4.015/3.985	4.75	0.38	0.75	1.19
	2 50mm	29.5	38.1	61.7	101.98/101.22	120.7	9.7	19.1	30.2

FEATURES/BENEFITS PAGE B1-3	HOW TO ORDER/NOMENCLATURE PAGE B1-6	EASY SELECTION PAGE B1-7	ACCESSORIES PAGE B1-35
--------------------------------	--	-----------------------------	---------------------------



SELECTION/DIMENSIONS

ULTRA KLEEN Mounted Bearings SC NORMAL DUTY BEARING STAINLESS STEEL INSERTS FOR ULTRA KLEEN BEARINGS



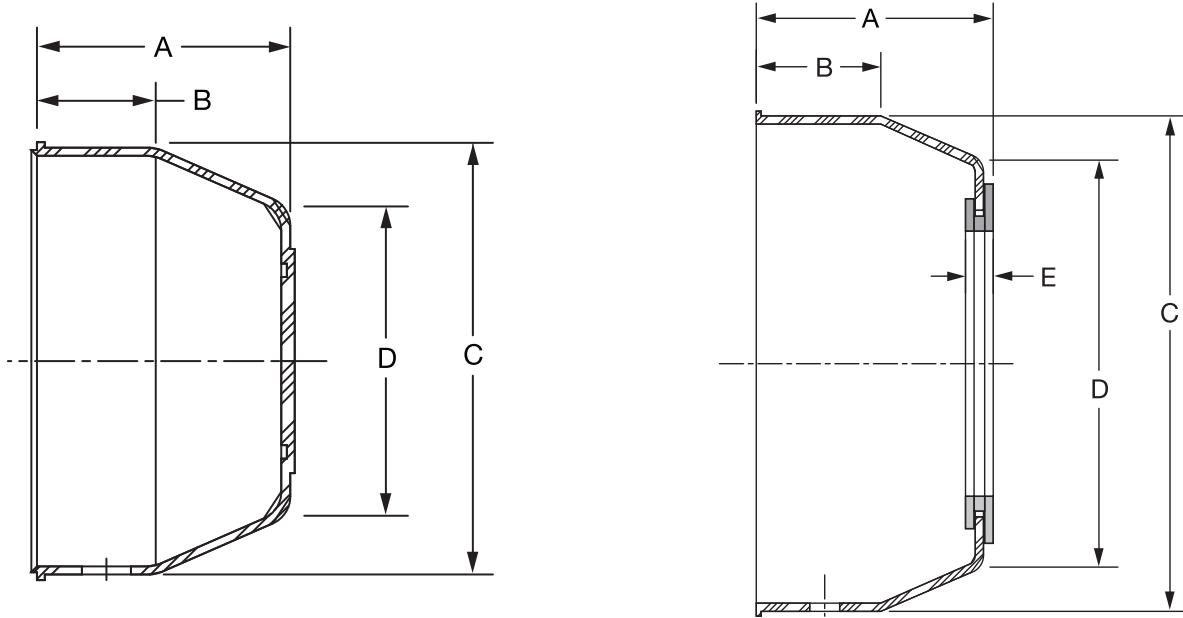
Series	Shaft Size	Stainless Steel Insert		Weight lbs kg	A	C	D	J	L	N	W	Y
		Part No.	Description									
204	3/4	127818	INS-SC-012-SS	.32	1.23	0.58	1.8504	0.15	1.11	1/4-28	0.50	0.73
	20mm	127861	INS-SC-20M-SS	.16	31.2	14.7	47.000	3.8	28.3	M6x1	12.7	18.5
205	1	127819	INS-SC-100-SS	.37	1.34	0.59	2.0472	0.15	1.32	1/4-28	0.56	0.78
	25mm	127862	INS-SC-25M-SS	.18	34.0	15.0	52.000	3.8	33.5	M6x1	14.2	19.8
206	1-3/16	127820	INS-SC-103-SS	.60	1.52	0.69	2.4409	0.18	1.57	5/16-24	0.58	0.94
	1-1/4	127821	INS-SC-104S-SS	.58								
	30mm	127863	INS-SC-30M-SS	.27	38.6	17.6	62.000	4.6	39.9	M8x1.25	14.7	23.9
207	1-1/4	127822	INS-SC-104-SS	1.02	1.71	0.75	2.8346	0.20	1.84	5/16-24	0.67	1.04
	1-7/16	127823	INS-SC-107-SS	.86								
	35mm	127864	INS-SC-35M-SS	.44	43.4	19.0	72.000	5.1	46.7	M8x1.25	17.0	26.4
208	1-1/2	127824	INS-SC-108-SS	1.27	1.94	0.87	3.1496	0.22	2.05	5/16-24	0.75	1.19
	40mm	127865	INS-SC-40M-SS	.51	49.3	22.0	80.000	5.6	52.1	M8x1.25	19.1	30.2
209	1-11/16	127825	INS-SC-111-SS	1.43	1.94	0.87	3.3465	0.25	2.22	5/16-24	0.75	1.19
	1-3/4	127804	INS-SC-112-SS	1.43								
	45mm	127866	INS-SC-45M-SS	.62	49.3	22.0	85.000	6.4	56.4	M8x1.25	19.1	30.2
210	1-15/16	127826	INS-SC-115-SS	1.48	1.94	0.87	3.5433	0.25	2.43	3/8-24	0.75	1.19
	2	127808	INS-SC-200-SS	1.39								
	50mm	127867	INS-SC-50M-SS	.67	49.3	22.0	90.000	6.4	61.7	M10x1.5	19.1	30.2

FEATURES/BENEFITS PAGE B1-3	HOW TO ORDER/NOMENCLATURE PAGE B1-6	EASY SELECTION PAGE B1-7	ACCESSORIES PAGE B1-35
--------------------------------	--	-----------------------------	---------------------------



ACCESSORIES

E-Z KLEEN/ULTRA KLEEN Mounted Bearings Polymer and Stainless Steel Housed Mounted Bearings END CLOSURES



Series	For Shaft Size	Closed End Closure Part Number	Description	A	B	C	D	Open End Closure Part Number	Description	A	B	C	D	E	
204	3/4	128960	ECC-EZ-204	1.13	0.53	1-29/32	1-3/8	128974	ECO-EZ-012	1-3/16	17/32	1-29/32	1-3/8	3/16	
	20mm			28.7	13.5	48.4	35.1		128991	ECO-EZ-20M	30.2	13.5	48.4	35.1	4.9
205	1	128961	ECC-EZ-205	1.19	17/32	2-11/64	1-39/64	128975	ECO-EZ-100	1-1/4	17/32	2-11/64	1-39/64	3/16	
	25mm			30.2	13.5	55.1	40.9		128992	ECO-EZ-25M	35.3	14.2	63.5	50.0	4.9
206	1-3/16	128962	ECC-EZ-206	1.33	9/16	2-1/2	31/32	128976	ECO-EZ-103	1-25/64	9/16	2-1/2	31/32	3/16	
	1-1/4			33.8	14.2	63.5	50.0		128989	ECO-EZ-104S	35.3	14.2	63.5	50.0	4.9
	30mm			35.3	14.2	63.5	50.0		128993	ECO-EZ-30M	35.3	14.2	63.5	50.0	4.9
207	1-1/4	128963	ECC-EZ-207	1.47	11/16	2-29/32	2-5/16	128977	ECO-EZ-104	1-17/32	11/16	2-29/32	2-5/16	3/16	
	1-7/16			37.3	17.5	73.9	58.9		128990	ECO-EZ-107	38.9	17.5	73.9	58.9	4.9
	35mm			38.9	17.5	73.9	58.9		128994	ECO-EZ-35M	38.9	17.5	73.9	58.9	4.9
208	1-1/2	128964	ECC-EZ-208	1.55	11/16	3-5/16	2-49/64	128978	ECO-EZ-108	1-19/32	11/16	3-5/16	2-49/64	13/64	
	40mm			39.1	17.5	84.1	70.1		128995	ECO-EZ-40M	40.6	17.5	84.1	70.1	5.1
209	1-11/16	128965	ECC-EZ-209	1.59	23/32	3-1/2	2-7/8	128979	ECO-EZ-111	1-21/32	23/32	3-1/2	2-7/8	13/64	
	1-3/4			40.4	18.3	88.9	72.9		128996	ECO-EZ-45M	41.9	18.3	88.9	72.9	5.1
210	1-15/16	128966	ECC-EZ-210	1.66	29/32	3-5/8	3	128980	ECO-EZ-115	1-23/32	29/32	3-5/8	3	13/64	
	2 50mm			42.0	23.1	91.4	76.2		128997	ECO-EZ-50M	43.7	23.1	91.4	76.2	5.1

@ Made to order

FEATURES/BENEFITS PAGE B1-3	HOW TO ORDER/NOMENCLATURE PAGE B1-6	EASY SELECTION PAGE B1-6	DIMENSIONS PAGE B1-16
--------------------------------	--	-----------------------------	--------------------------

Bearing Reference Guide
 ULTRA KLEEN
 E-Z KLEEN
 Extreme Duty
 Setscrew Ball Bearing
 GRIP TIGHT
 D-LOK Ball Bearing



NOTES

Bearing Reference
Guide

ULTRA KLEEN

E-Z KLEEN

Extreme Duty

Setscrew Ball Bearing

GRIP TIGHT

D-LOK Ball Bearing

CONTENTS



E-Z KLEEN Polymer and Stainless Steel Housed Mounted Bearings

Features / Benefits	B2-3
How to Order / Nomenclature	B2-8
Selection	B2-9
Easy Selection	B2-12
Selection/Dimensions	
Stainless Housed Ball	
Pillow Blocks	B2-24
Tapped Base Pillow Block	B2-29
2-Bolt Flange Bearings	B2-30
LF, LFT Flange Bearings	B2-33
Flanged Bracketed Bearings	B2-34
4-Bolt Flange Bearings	B2-35
NSTU Narrow Slot Take-Up Bearings	B2-38
Wide Slot Take-Up Bearings	B2-39
Inserts	B2-40
Polymer Housed Ball	
Pillow Blocks	B2-44
Tapped Base Pillow Blocks	B2-50
2-Bolt Flange Bearings	B2-54
Flange Bracketed Bearings	B2-58
4-Bolt Flange Bearings	B2-62
Wide Slot Take-Up Bearings	B2-66
Polymer Sleeve	
Pillow Block	B2-71
Tapped Base Pillow Blocks	B2-72
2-Bolt Flange Bearings	B2-73
3-Bolt Flange Bearings	B2-74
4-Bolt Flange Bearings	B2-75
Inserts	B2-76
Accessories	B2-77
Part Number Index	INDEX-1
Key Word Index	KEYWORD-1



CONTENTS

Bearing Reference
Guide

ULTRA KLEEN

E-Z KLEEN

Extreme Duty

Setscrew Ball Bearing

GRIP TIGHT

D-LOK Ball Bearing



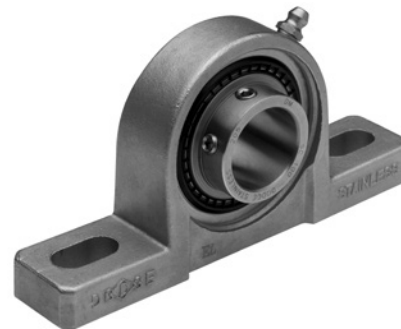
FEATURES/BENEFITS

E-Z KLEEN

Polymer and Stainless Steel Housed Mounted Bearings

Our goal at DODGE is to create the world's most successful customer. We do that by listening and responding to our customers' needs. Customers in the food and beverage processing industry told us they needed new and improved products that help make their industry safer - products that help in the fight against contamination from bacteria such as E. coli, salmonella, and staphylococcus aureus.

DODGE delivered by expanding our high performance E-Z KLEEN line with this new, improved generation of E-Z KLEEN engineered polymer housed ball and sleeve bearings and stainless steel housed ball bearings.



- 300 Series Stainless Steel



DODGE E-Z KLEEN with solid-base housing

Competitive bearing with cavities and fillings that can trap bacteria



POPULAR HOUSING STYLES

Polymer

Stainless Steel

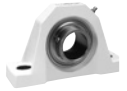
- | | |
|---|--|
| <ul style="list-style-type: none"> • Pillow blocks • Tapped-base pillow blocks • 2 and 4 bolt flange bearings • Flange brackets • Wide slot take-up bearings | <ul style="list-style-type: none"> • Pillow blocks • Tapped-base pillow blocks • Flange brackets • Wide and narrow slot take-up bearings • 2 and 3 bolt light duty flange • 2 and 4 bolt flange bearings |
|---|--|

RUGGED, SOLID-BASE HOUSING

- | | |
|--|--|
| <ul style="list-style-type: none"> • Manufactured with no cavities and no fillings -no traps for bacteria • Features anti-microbial polymer that helps prevent bacterial and fungal growth (polymer housing) • Housing strength exceeds static capacity of bearing • Designed with stainless steel lube fittings and stainless steel ferrules in bolt holes (polymer housed) | <ul style="list-style-type: none"> • 316 Series stainless steel housing also available • For no relube (NL) remove the lube fitting and install the polymer plug that is shipped with each bearing • Retains dimensional stability in harsh environments • No flaking or peeling, even after repeated washdowns • Provides excellent chemical resistance • Available with either open or closed end closures <ul style="list-style-type: none"> • FDA/USDA compliant |
|--|--|

RESULTS OF HOUSING ANTI-MICROBIAL ACTIVITY AGAINST TEST ORGANISMS

Test Organism	Type of Organism	Growth-Free Zone (MM)	Contact Inhibition (%)
Staphylococcus aureus	Bacterial	0	100
Aspergillus niger	Fungal	0	100



FEATURES/BENEFITS

Bearing Reference Guide

ULTRA KLEEN

E-Z KLEEN

Extreme Duty

Setscrew Ball Bearing

GRIP TIGHT

D-LOK Ball Bearing

E-Z KLEEN QuadGuard Sealing System

For over 125 years, the DODGE brand has been synonymous with the best the industry has to offer. Bearing users in the food and beverage industry recognize that with DODGE they have access to the best selection of the highest quality mounted ball bearings available in the market.

The DODGE E-Z KLEEN and ULTRA KLEEN bearings for the food and beverage industry offer an array of features that provide extended life in these challenging conditions. DODGE has the only bearings in the industry to offer a patented triple-lip seal with a rubberized flinger, the QuadGuard™ sealing system. These units also include an exclusive ball retainer, the Maxlife™ cage which helps retain lubrication and prevents washout in wet environments.

Combine these features with a complete line of polymer and stainless housing offerings, concentric and adapter mounting options and you have a family of mounted ball bearing products that are unsurpassed in the industry.

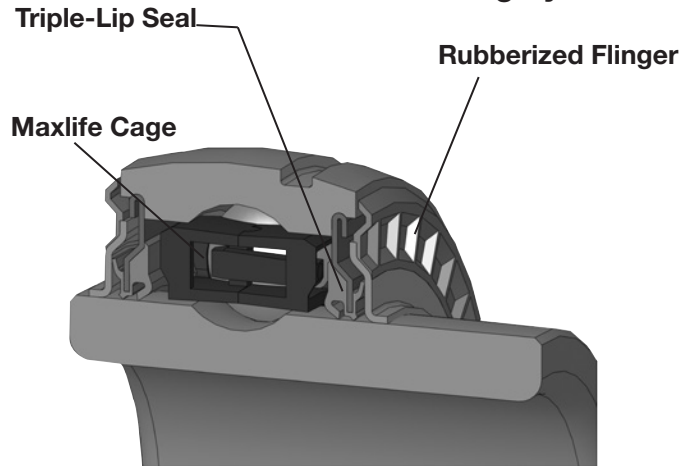
THREE SHAFT LOCKING SYSTEMS FROM STOCK

- SC - Two stainless-steel setscrews set 65 apart
- D-LOK - Corrosion resistant concentric collar
- GT - GRIP TIGHT

The QuadGuard seal consists of two patented features that are unique to DODGE bearings and are standard on the E-Z KLEEN and ULTRA KLEEN product.

- **Triple-lip seal**
 - Patented design
 - Mechanically retained seal with two contact points on the inner ring and one that rides against flinger surface
 - Three points of contact guard against contamination and keep in lubricants
 - Maximizes sealing with minimal increase in drag compared to a single lip design

DODGE QuadGuard Sealing System



CORROSION-RESISTANT BALL BEARING INSERTS

- New QuadGuard sealing system with stainless triple-lip seal and rubberized flinger
- Corrosion-resistant inner and outer ring
- Stainless steel balls and lube fitting
- Stainless steel setscrews (SC) and stainless steel capscrew (DLOK)
- 100% Filled with H1, food grade grease
- Relubricable
- Anti-rotation pin
- Patented Maxlife cage extends grease life
- Offered in inch and metric sizes
- Temperature range -20° to +225° F

- **Rubberized flinger**
 - Industry's first and only patented design
 - Molded rubber provides additional protection from contaminants entering the bearing
 - Baffle design of the rubber on the external surface of the flinger enhances the removal of liquid as it rotates
 - Extended rubber baffle outer diameter increases centrifugal acceleration to discard moisture and contamination away from bearing
 - Grease chambers on the internal surface prevent lubricants from exiting the bearing
 - Superior design increases service life in dirty environments thus leading to extended uptime



FEATURES/BENEFITS

E-Z KLEEN

Corrosion Resistant Coating

The DODGE E-Z KLEEN ball bearing uses a patented, corrosion resistant coating that is superior to any coated product in the market.

- QuadGuard sealing system
- Maxlife cage
- Corrosion resistant insert has a patented nickel alloy Teflon composite coating
- Offered in setscrew (SC), concentric (D-LOK), and adapter mount (GRIP TIGHT) locking mechanisms
- Available in polymer and stainless housings

The DODGE E-Z KLEEN corrosion resistant (CR) insert outperforms other coatings on the market today such as black oxide, zinc and thin dense chrome (TDC).

Tests have shown that the DODGE CR insert exhibited 300% longer bearing life than a typical TDC coated insert. The CR insert load capacity is not de-rated as compared to stainless inserts.

DODGE offers the CR insert in three patented locking mechanisms.

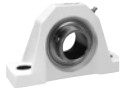
- Setscrew (SC)
 - 65° stainless set screws provide superior holding force without compromising the strength of the inner ring
 - Stainless anti-rotation pin to prevent insert from rotating in the housing
- Concentric (D-LOK)
 - Concentric locking accomplished with the use of a locking collar and slotted inner ring
 - Eliminates damage to stainless shafting caused by set screws
 - Reduced vibration as compared to set screws
- Adapter Mount (GRIP TIGHT)
 - DODGE-only patented thin wall adapter mount
 - Push/pull adapter mount system provides easy on/easy off installation and removal
 - Built-in bearing puller reduces the time associated with removing bearings from shaft
 - Adapter mount does not damage stainless shafting
 - Interchangeable adapters reduce inventory

NOTE: Instruction manuals and drawings for Dodge Bearings are available on www.dodge-pt.com

24 Hour Salt Fog Test Results

DODGE E-Z KLEEN Corrosion Resistant Insert –
No corrosion after testing





FEATURES/BENEFITS

Bearing Reference Guide

ULTRA KLEEN

E-Z KLEEN

Extreme Duty

Setscrew Ball Bearing

GRIP TIGHT

D-LOK Ball Bearing

E-Z KLEEN Maxlife Cage

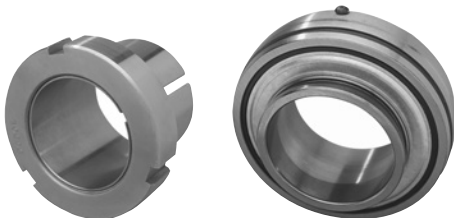
The Maxlife cage is the product of extensive research and development in retainer technology and industry leading engineering.

- Two-piece design that creates a grease compartment around each of the rolling elements
- Compartments provide constant contact between balls and grease so an oil film will always exist to prevent wear and minimize friction and heat
- Relative motion between the components and the grease is reduced which results in lower operating temperatures and extended life
- Compartmental construction of the cage holds in the grease and prevents it from being washed out in extremely wet conditions
- Exclusive design extends life with less frequency of re-lubrication than standard designs
- Included in both E-Z KLEEN and ULTRA KLEEN products



D-LOK DL

Dodge E-Z KLEEN bearings are available with the D-LOK concentric locking device that provides easy installation and 360° contact with the shaft.

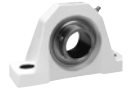


GRIP-TIGHT LOCKING SYSTEM

Full Contact on shaft for better grip, less vibration.

Setscrew locking can distort the inner ring and cause system-induced vibration. But with the DODGE GRIP-TIGHT adapter, the adapter attaches itself to the shaft for full concentric contact - 360° through the length of the bearing. E-Z KLEEN and GRIP-TIGHT use stainless steel adapter sleeve and nut and provides easy-on and easy-off installation and removal.

NOTE: Instruction manuals and drawings for Dodge Bearings are available on www.dodge-pt.com



FEATURES/BENEFITS

E-Z KLEEN-SC, DL, GT; ULTRA KLEEN-SC

EZ Kleen-SC, DL, GT Ultra Kleen-SC	End-Cover Capability		Sealing		Retainer
	End-Cover Groove	Snap-On End Cover	Triple-Lip Seal	Stainless Rubberized Flinger	Maxlife Cage
Standard Features	X	X	X	X	X

Housing Capability Stainless

Housing Style	204	205	206	207	208	209	210
P2B	X	X	X	X	X		X
F2B	X	X	X	X	X		X
F4B	X	X	X	X	X		X
FB	X	X	X	X			X
TB	X	X	X	X	X		X
NSTU	X	X	X	X	X		X
WSTU	X	X	X	X	X		X
LF	X	X	X	X			
LFT	X	X	X	X			

Housing Capability Polymer

Housing Style	204	205	206	207	208	209	210
P2B	X	X	X	X	X	X	X
F2B	X	X	X	X	X	X	X
F4B	X	X	X	X	X	X	X
FB	X	X	X	X			
TB	X	X	X	X			
NSTU							
WSTU	X	X	X	X			
LF							
LFT							

NOTE: Instruction manuals and drawings for Dodge Bearings are available on www.dodge-pt.com



HOW TO ORDER/NOMENCLATURE

E-Z KLEEN Polymer and Stainless Steel Housed Mounted Bearings

HOW TO ORDER

There are two ways to specify DODGE E-Z KLEEN ball bearings. Most of the product offerings have part numbers with listings shown throughout this catalog. Use of part numbers ensures accurate order processing.

When part numbers are not shown, the product may be specified by description or part name. This method is used when ordering units that include modifications or options.

NOMENCLATURE

P2B - SCHUEZ - 104S = PCR

Modification Or Feature:

CR = Corrosion resistant insert
 MOD = Modified
 P = Polymer housing
 SH = Stainless Steel Housing

Shaft Size:

Inches:

First digit = Number of inches
 Second & third digits = Number of sixteenths of an inch
 104 = Indicates 1-4/16 or 1-1/4
 S = Next smaller ring size. E.g. 1-1/4 206 would be written as 104S
 L = Next larger ring size. E.g. 1/2 204 would be written as 008L

Metric:

First two digits = number of millimeters
 M = Metric

Bearing Type:

SC = Wide inner ring, normal duty, 65° setscrew locking
 DL = Wide inner ring, normal duty, concentric clamp collar
 GT = Wide inner ring, normal duty, thin wall adapter locking
 PS = Polymer Sleeve Insert

Suffixes to the above:

EZ = E-Z KLEEN/ULTRA KLEEN (used with polymer or stainless steel housed units)
 BEZ = Low backing height pillow block, E-Z KLEEN/ULTRA KLEEN
 UEZ = higher back pillow block, E-Z KLEEN/ULTRA KLEEN (for interchangeability with competitive pillow blocks)

Housing:

F2B = 2-bolt flange
 F4B = 4-bolt flange
 FB = Flanged bracket
 INS = Insert
 P2B = Pillow block, 2-bolt base
 TB = Tapped base pillow block
 WSTU = Wide slot take-up



SELECTION

Selection of DODGE E-Z KLEEN Polymer and Stainless Steel Housed Ball Bearings

DODGE E-Z KLEEN mounted ball bearings are primarily designed for radial loading. However, they have the capacity to carry thrust loads and combined radial/thrust loads. The maximum recommended load which can be applied is limited by various components in the system, such as bearing, housing, shaft attachments, speed and life requirements as listed in this catalog and the instruction manual that accompanies each bearing. DODGE E-Z KLEEN ball bearings have been applied successfully when these limits have been exceeded under controlled operating conditions. Contact DODGE Engineering for applications which exceed these recommendations.

Select a bearing from the Selection Table that has a radial load rating at the operating speed equal to or greater than the calculated Equivalent Radial Load for a desired L_{10} life. This simple method is all that is required for the majority of general applications and provides for occasional average shock loads.

L_{10} Hours Life – The life which may be expected for at least 90% of a given group of bearings operating under identical conditions.

Heavy Service – For heavy shock loads, frequent shock loads or severe vibrations, add up to 50% (according to severity of conditions) to the Equivalent Radial Load to obtain a Modified Equivalent Radial Load. Consult Application Engineering for additional selection assistance.

A maximum thrust load value of $C/10$ is recommended as a guide for general applications and will give adequate L_{10} life. If the thrust load exceeds this limit, it is advisable to use auxiliary thrust carrying devices, such as a shaft shoulder, snap ring, or a thrust collar. Where substantial radial load pulls the housing away from the mounting base, both the hold-down bolts and housing must be of adequate strength. Auxiliary load carrying devices, such as shear bars, are advisable for side or end-loading of pillow blocks and radial loads for flange units.

To determine the L_{10} hours life for loads and RPMs not listed use the following equation:

$$L_{10} = \left(\frac{C}{P}\right)^3 \times \left(\frac{16667}{n}\right)$$

Where:

L_{10} = Life, hours

C = Dynamic Capacity, lbs. or N

P = Equivalent Radial Load, lbs. or N

n = Revolutions per minute

When the load on a ball bearing is solely a radial load with no thrust (axial) load, the Equivalent Radial Load (P) is equal to the actual radial load. However, when a thrust (axial) load is applied, the radial and thrust loads applied must be converted into an Equivalent Radial Load. Use X (radial factor) and Y (thrust factor) from Table 1 to convert the actual applied thrust and radial loads to an Equivalent Radial Load which has the same effect on the life of a bearing as a radial load of this magnitude.

$$P = XF_R + YF_A$$

Where:

P = Equivalent Radial Load, lbs.

F_R = Radial load, lbs.

F_A = Thrust load, lbs.

e = Thrust load to radial load factor (Table 1)

X = Radial load factor (Table 1)

Y = Thrust Factor (Table 1)

C_0 = Basic static capacity (Selection Table)

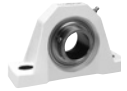
To find X and Y, first calculate F_A/C_0 to determine e. Calculate F_A/F_R and compare to e to determine the X and Y factors to use from Table 1.

Shaft Tolerances

Normal Shaft Size Inches	Recommended Shaft Tolerances SC & D-LOK Products (Inches)	Recommended Shaft Tolerances GRIP TIGHT Ball Bearings (Inches)
Up to 1-1/2"	+0.000 -0.0005	+0.000 -0.002
Over 1-1/2 to 2"	+0.000 -0.0010	+0.000 -0.003

NOTE: Bearing analysis program "BEST" is available on www.ptwizard.com

FEATURES/BENEFITS PAGE B2-3	HOW TO ORDER/NOMENCLATURE PAGE B2-8	SELECTION/DIMENSIONS PAGE B2-24	ACCESSORIES PAGE B2-77
--------------------------------	--	------------------------------------	---------------------------



SELECTION

Selection of DODGE E-Z KLEEN Polymer and Stainless Steel Housed Ball Bearings

Table 1

F_A / C_0	e	Radial/Thrust Factors			
		If F_A/F_R is equal to or less than e		If F_A/F_R is greater than e	
		$F_A/F_R \leq e$		$F_A/F_R > e$	
		X	Y	X	Y
0.014	0.19	1	0	0.56	2.30
0.021	0.21	1	0	0.56	2.15
0.028	0.22	1	0	0.56	1.99
0.042	0.24	1	0	0.56	1.85
0.056	0.26	1	0	0.56	1.71
0.070	0.27	1	0	0.56	1.63
0.084	0.28	1	0	0.56	1.55
0.110	0.30	1	0	0.56	1.45
0.170	0.34	1	0	0.56	1.31
0.280	0.38	1	0	0.56	1.15
0.420	0.42	1	0	0.56	1.04
0.560	0.44	1	0	0.56	1.00

Lubrication – DODGE Ball Bearings are lubricated at the factory and are ready to run. The bearings are initially lubricated with an aluminum complex based, H1 Food Grade grease and should be relubricated with the same or some equivalent. For high speeds, high loads, extreme temperatures and other abnormal operating conditions, special greases may be required. Contact DODGE Application Engineering for recommendations on these types of applications.

Misalignment – DODGE Ball Bearings are designed to allow a maximum of 2° static misalignment. These bearings are not suitable for dynamic misalignment. To ensure good alignment, mounting surfaces must be checked for flatness and must lie in the same plane. When tightening base bolts, each bolt should be alternately tightening in incremental torque values until full torque is achieved to prevent the angular shifting of the pillow block that occurs when one bolt is tightened to its full torque. Shimming may be required to minimize misalignment.

Substitute all known values into the Equivalent Radial Load equation. The Equivalent Radial Load (P) thus determined can be used in the L10 life formula or compared to the allowable Equivalent Radial Load rating desired in the expanded rating chart to select a bearing (Selection Table).

If calculated value of P is less than F_R , use $P = F_R$.

NOTE: Bearing analysis program “BEST” is available on www.ptwizard.com

FEATURES/BENEFITS PAGE B2-3	HOW TO ORDER/NOMENCLATURE PAGE B2-8	SELECTION/DIMENSIONS PAGE B2-24	ACCESSORIES PAGE B2-77
--------------------------------	--	------------------------------------	---------------------------



SELECTION

Selection of DODGE E-Z KLEEN Polymer and Stainless Steel Housed Ball Bearings

Recommended Torque													
Setscrew Size	Key Hex Across Flats	Setscrews			D-LOK			Mounting Bolts					
		◆ Recommended Torque			Cap Screw Size	Recom. Torque	EZ-KLEEN Recom. Torque	Metal Housings		EZ-KLEEN Housed Bearings			
		Standard Ball Bearing Insert		Corrosion Resistant Stainless Steel				Bolt Size	Recom. Dry Torque (Grade 2)	2-Bolt PB, 2 & 4 Bolt Fig. and Fig. Brackets		Tapped Base PB	
		Min	Max							Bolt Size	Torque ①	Bolt Size	Torque ②
(in.)	(in.)	(in.-lbs.)	(in.-lbs.)	(in.-lbs.)	(in.)	(in.Olbs.)	(in.-lbs.)	(in.)	(in.Olbs.)	(in.)	(in.-lbs.)	(in.)	(in.-lbs.)
#10	3/32	28	33	25	#8-32	58	46	3/8-16	240	3/8-16	225	3/8-16	175
1/4	1/8	66	80	60	#10-32	90	72	7/16-14	384	7/16-14	350	7/16-14	350
5/16	5/32	126	156	117	1/4-28	180	144	1/2-13	600	1/2-13	500	1/2-13	400
3/8	3/16	228	275	206	5/16-24	400	320	5/8-11	1200	9/16-12	650		
7/16	7/32	342	428	321	3/8-24	750	600	3/4-10	1950	5/8-11	1000		
								7/8-9	2890				
(mm)	(mm)	(N-m)	(N-m)	(N-m)	(mm)	(N-m)	(N-m)	(mm)	(N-m)	(mm)	(N-m)	① Torque for Austenitic (18-8) Stainless	
M5	2.5	3.2	3.7	2.8	M4	585	4.68	M10	29	M8	15		
M6	3	6.2	7.7	5.8	M5	10.75	8.6	M12	50	M10	25		
M8	4	14.2	17.8	13.4	M6	20.5	16.4	M16	124	M12	50		
M10	5	26	31	23	M8	45	36	M20	238	M14	75		
M12	6	46	57	43				M22	322	M18	125		

Lubrication

High Speed Operation - In the higher speed ranges, too much grease will cause over-heating. The amount of grease that the bearing will take for a particular high speed application can only be determined by experience. If excess grease in the bearing causes overheating, it will be necessary to remove grease fitting to permit excess grease to escape. The bearing has been greased at the factory and is ready to run. When establishing a relubrication schedule, note that a small amount of grease at frequent intervals is preferable to a large amount at infrequent intervals.

◆ **NOTE:** Dodge does not recommend the use of oils or locking agents on setscrew threads. However, if utilized, the the minimum installation torque values should be followed.

Lubrication Guide

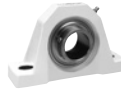
Use a No. 2 Lithium complex base grease or equivalent*

Hours Run per Day	Suggested Lubrication Period in Weeks							
	1 to 250 RPM	251 to 500 RPM	501 to 750 RPM	751 to 1000 RPM	1001 to 1500 RPM	1501 to 2000 RPM	2001 to 2500 RPM	2501 to 3000 RPM
8	12	12	10	7	5	4	3	2
16	12	7	5	4	2	2	1	1
24	10	5	3	2	1	1	1	1

* For EZ-KLEEN series bearings, use an aluminum complex base grease.

Lubrication recommendations are intended for standard products applied in general operating conditions. For modified products, high temperature applications, and other anomalous applications contact product engineering at 864-284-5700.

FEATURES/BENEFITS PAGE B2-3	HOW TO ORDER/NOMENCLATURE PAGE B2-8	SELECTION/DIMENSIONS PAGE B2-24	ACCESSORIES PAGE B2-77
--------------------------------	--	------------------------------------	---------------------------



EASY SELECTION

E-Z KLEEN SC and DL

Ring Size	Shaft Size		Dynamic Capacity C _r , lbs.	Static Capacity C ₀ , lbs.	L ₁₀ Life - Hours	Allowable Equivalent Radial Load Rating (lbs.) at Various RPM*											
	SC	SCM				50	150	250	500	750	1000	1250	1500	1600	1750	2000	2250
204	1/2 5/8 3/4 13/16 20mm		2899	1482	20000	741	513	433	344	300	273	253	238	233	226	217	208
					30000	647	449	378	300	262	238	221	208	204	198	189	182
					40000	588	408	344	273	238	217	201	189	185	180	172	165
					60000	513	356	300	238	208	189	176	165	162	157	150	144
					100000	433	300	253	201	176	160	148	139	136	132	127	122
205	7/8 15/16 1 25mm		3146	1769	20000	804	557	470	373	326	296	275	259	253	246	235	226
					30000	702	487	411	326	285	259	240	226	221	215	205	197
					40000	638	442	373	296	259	235	218	205	201	195	187	179
					60000	557	386	326	259	226	205	191	179	176	170	163	157
					100000	470	326	275	218	191	173	161	151	148	144	137	132
206	1-1/16 1-1/8 1-3/16 1-1/4 30mm	1 25mm	4368	2538	20000	1116	774	652	518	452	411	382	359	351	341	326	314
					30000	975	676	570	452	395	359	333	314	307	298	285	274
					40000	886	614	518	411	359	326	303	285	279	271	259	249
					60000	774	536	452	359	314	285	265	249	244	237	226	217
					100000	652	452	382	303	265	240	223	210	206	199	191	183
207	1-1/4 1-5/16 1-3/8 1-7/16 35mm	1-3/16 1-1/4 30mm	5759	3461	20000	1471	1020	860	683	596	542	503	473	463	450	430	414
					30000	1285	891	752	596	521	473	439	414	405	393	376	361
					40000	1168	810	683	542	473	430	399	376	368	357	341	328
					60000	1020	707	596	473	414	376	349	328	321	312	298	287
					100000	860	596	503	399	349	317	294	277	271	263	252	242
208	1-1/2 1-5/8 40mm	1-7/16 1-1/2▲ 35mm	7332	4475	20000	1873	1299	1095	869	759	690	641	603	590	573	548	527
					30000	1636	1134	957	759	663	603	560	527	515	500	478	460
					40000	1487	1031	869	690	603	548	508	478	468	454	435	418
					60000	1299	900	759	603	527	478	444	418	409	397	380	365
					100000	1095	759	641	508	444	403	375	352	345	335	320	308
209	1-5/8 1-11/16 1-3/4 45mm	1-1/2 40mm	7891	4906	20000	2016	1398	1179	936	817	743	689	649	635	616	589	567
					30000	1761	1221	1030	817	714	649	602	567	555	538	515	495
					40000	1600	1109	936	743	649	589	547	515	504	489	468	450
					60000	1398	969	817	649	567	515	478	450	440	427	409	393
					100000	1179	817	689	547	478	434	403	379	371	360	345	331
210	1-15/16 2 50mm	1-11/16 1-3/4 45mm	7891	5213	20000	2016	1398	1179	936	817	743	689	649	635	616	589	567
					30000	1761	1221	1030	817	714	649	602	567	555	538	515	495
					40000	1600	1109	936	743	649	589	547	515	504	489	468	450
					60000	1398	969	817	649	567	515	478	450	440	427	409	393
					100000	1179	817	689	547	478	434	403	379	371	360	345	331

* Slight interference fit required when operating on the right of the heavy line or in the shaded area.

▲ Piloted flange only

NOTE: Bearing analysis program "BEST" is available on www.ptwizard.com

FEATURES/BENEFITS PAGE B2-3	HOW TO ORDER/NOMENCLATURE PAGE B2-8	SELECTION/DIMENSIONS PAGE B2-24	ACCESSORIES PAGE B2-77
--------------------------------	--	------------------------------------	---------------------------

EASY SELECTION



E-Z KLEEN SC and DL (continued)

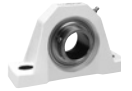
Ring Size	Shaft Size		Dynamic Capacity C, lbs.	Static Capacity C ₀ , lbs.	L ₁₀ Life - Hours	Allowable Equivalent Radial Load Rating (lbs.) at Various RPM*											
	SC	SCM				2500	2750	3000	3250	3500	3600	4000	4500	5000	5250	5500	6000
204	1/2 5/8 3/4 13/16 20mm		2899	1482	20000	201	195	189	184	180	178	172	165	160	157	155	150
					30000	176	170	165	161	157	155	150	144	139	137	135	131
					40000	160	155	150	146	143	141	136	131	127	125	123	119
					60000	139	135	131	128	125	123	119	115	111	109	107	104
					100000	118	114	111	108	105	104	101	97	93	92	90	88
205	7/8 15/16 1 25mm		3146	1769	20000	218	211	205	200	195	193	187	179	173	170	168	163
					30000	191	185	179	175	170	169	163	157	151	149	147	142
					40000	173	168	163	159	155	153	148	142	137	135	133	129
					60000	151	147	142	139	135	134	129	124	120	118	116	113
					100000	128	124	120	117	114	113	109	105	101	100	98	95
206	1-1/16 1-1/8 1-3/16 1-1/4 30mm	1 25mm	4368	2538	20000	303	293	285	278	271	268	259	249	240	237		
					30000	265	256	249	242	237	234	226	217	210	207		
					40000	240	233	226	220	215	213	206	198	191	188		
					60000	210	203	198	192	188	186	180	173	167	164		
					100000	177	172	167	162	158	157	151	146	141	138		
207	1-1/4 1-5/16 1-3/8 1-7/16 35mm	1-3/16 1-1/4 30mm	5759	3461	20000	399	387	376	366	357	354	341	328				
					30000	349	338	328	320	312	309	298	287				
					40000	317	307	298	290	283	281	271	261				
					60000	277	268	261	254	247	245	237	228				
					100000	234	226	220	214	209	207	200	192				
208	1-1/2 1-5/8 40mm	1-7/16 1-1/2▲ 35mm	7332	4475	20000	508	492	478	466	454	450	435					
					30000	444	430	418	407	397	393	380					
					40000	403	391	380	370	361	357	345					
					60000	352	341	332	323	315	312	301					
					100000	297	288	280	272	266	263	254					
209	1-5/8 1-11/16 1-3/4 45mm	1-1/2 40mm	7891	4906	20000	547	530	515	501	489	485	468					
					30000	478	463	450	438	427	423	409					
					40000	434	421	409	398	388	385	371					
					60000	379	367	357	348	339	336	324					
					100000	320	310	301	293	286	283	274					
210	1-15/16 2 50mm	1-11/16 1-3/4 45mm	7891	5213	20000	547	530	515	501	489	485						
					30000	478	463	450	438	427	423						
					40000	434	421	409	398	388	385						
					60000	379	367	357	348	339	336						
					100000	320	310	301	293	286	283						

* Slight interference fit required when operating on the right of the heavy line or in the shaded area.

▲ Piloted flange only

NOTE: Bearing analysis program "BEST" is available on www.ptwizard.com

FEATURES/BENEFITS PAGE B2-3	HOW TO ORDER/NOMENCLATURE PAGE B2-8	SELECTION/DIMENSIONS PAGE B2-24	ACCESSORIES PAGE B2-77
--------------------------------	--	------------------------------------	---------------------------



EASY SELECTION

E-Z KLEEN GT

Ring Size	Shaft Size		Dynamic Capacity C, lbs.	Static Capacity C ₀ , lbs.	Allowable Equivalent Radial Load Rating (lbs.) at Various RPM*							
	GT	GTM			L ₁₀ Life - Hours	50	150	250	500	750	1000	1500
204	3/4 20mm		2899	1482	20000	741	513	433	344	300	273	238
					30000	647	449	378	300	262	238	208
					40000	588	408	344	273	238	217	189
					60000	513	356	300	238	208	189	165
					100000	433	300	253	201	176	160	139
205	7/8 15/16 1 25mm	3/4	3146	1769	20000	804	557	470	373	326	296	259
					30000	702	487	411	326	285	259	226
					40000	638	442	373	296	259	235	205
					60000	557	386	326	259	226	205	179
					100000	470	326	275	218	191	173	151
206	1-1/8 1-3/16 1-1/4 30mm	1 25mm	4368	2538	20000	1116	774	652	518	452	411	359
					30000	975	676	570	452	395	359	314
					40000	886	614	518	411	359	326	285
					60000	774	536	452	359	314	285	249
					100000	652	452	382	303	265	240	210
207	1-1/4 1-3/8 1-7/16 35mm	1-3/16 1-1/4 30mm	5759	3461	20000	1471	1020	860	683	596	542	473
					30000	1285	891	752	596	521	473	414
					40000	1168	810	683	542	473	430	376
					60000	1020	707	596	473	414	376	328
					100000	860	596	503	399	349	317	277
208	1-1/2 40mm	1-7/16 1-1/2▲ 35mm	7332	4475	20000	1873	1299	1095	869	759	690	603
					30000	1636	1134	957	759	663	603	527
					40000	1487	1031	869	690	603	548	478
					60000	1299	900	759	603	527	478	418
					100000	1095	759	641	508	444	403	352
209	1-5/8 1-11/16 1-3/4 45mm	1-1/2 40mm	7891	4906	20000	2016	1398	1179	936	817	743	649
					30000	1761	1221	1030	817	714	649	567
					40000	1600	1109	936	743	649	589	515
					60000	1398	969	817	649	567	515	450
					100000	1179	817	689	547	478	434	379
210	1-15/16 2 50mm	1-11/16 1-3/4 45mm	7891	5213	20000	2016	1398	1179	936	817	743	649
					30000	1761	1221	1030	817	714	649	567
					40000	1600	1109	936	743	649	589	515
					60000	1398	969	817	649	567	515	450
					100000	1179	817	689	547	478	434	379

* Speed limit values reflect quad contact seal

▲ Piloted flange only

NOTE: Bearing analysis program "BEST" is available on www.ptwizard.com

FEATURES/BENEFITS PAGE B2-3	HOW TO ORDER/NOMENCLATURE PAGE B2-8	SELECTION/DIMENSIONS PAGE B2-24	ACCESSORIES PAGE B2-77
--------------------------------	--	------------------------------------	---------------------------

Bearing Reference Guide

ULTRA KLEEN

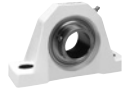
E-Z KLEEN

Extreme Duty

Setscrew Ball Bearing

GRIP TIGHT

D-LOK Ball Bearing



E-Z KLEEN GT (continued)

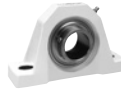
Ring Size	Shaft Size		Dynamic Capacity C, lbs.	Static Capacity Co, lbs.	Allowable Equivalent Radial Load Rating (lbs.) at Various RPM*							
	GT	GTM			L ₁₀ Life - Hours	1750	2000	2200	2600	3000	3200	3600
204	3/4 20mm		2899	1482	20000	226	217	210	198	189	185	178
					30000	198	189	183	173	165	162	155
					40000	180	172	166	157	150	147	141
					60000	157	150	145	138	131	128	123
					100000	132	127	123	116	111	108	104
205	7/8 15/16 1 25mm	3/4	3146	1769	20000	246	235	228	215	205	201	193
					30000	215	205	199	188	179	176	169
					40000	195	187	181	171	163	159	153
					60000	170	163	158	149	142	139	134
					100000	144	137	133	126	120	117	113
206	1-1/8 1-3/16 1-1/4 30mm	1 25mm	4368	2538	20000	341	326	316	299	285	279	268
					30000	298	285	276	261	249	244	234
					40000	271	259	251	237	226	221	213
					60000	237	226	219	207	198	193	186
					100000	199	191	185	175	167	163	157
207	1-1/4 1-3/8 1-7/16 35mm	1-3/16 1-1/4 30mm	5759	3461	20000	450	430	417	394	376	368	354
					30000	393	376	364	344	328	321	309
					40000	357	341	331	313	298	292	281
					60000	312	298	289	273	261	255	245
					100000	263	252	244	230	220	215	207
208	1-1/2 40mm	1-7/16 1-1/2▲ 35mm	7332	4475	20000	573	548	531	502	478	468	450
					30000	500	478	463	438	418	409	393
					40000	454	435	421	398	380	372	357
					60000	397	380	368	348	332	325	312
					100000	335	320	310	293	280	274	263
209	1-5/8 1-11/16 1-3/4 45mm	1-1/2 40mm	7891	4906	20000	616	589	571	540	515	504	485
					30000	538	515	499	472	450	440	423
					40000	489	468	453	429	409	400	385
					60000	427	409	396	374	357	349	336
					100000	360	345	334	316	301	295	283
210	1-15/16 2 50mm	1-11/16 1-3/4 45mm	7891	5213	20000	616	589	571	540	515	504	485
					30000	538	515	499	472	450	440	423
					40000	489	468	453	429	409	400	385
					60000	427	409	396	374	357	349	336
					100000	360	345	334	316	301	295	283

* Speed limit values reflect quad contact seal

▲ Piloted flange only

NOTE: Bearing analysis program "BEST" is available on www.ptwizard.com

FEATURES/BENEFITS PAGE B2-3	HOW TO ORDER/NOMENCLATURE PAGE B2-8	SELECTION/DIMENSIONS PAGE B2-24	ACCESSORIES PAGE B2-77
--------------------------------	--	------------------------------------	---------------------------



EASY SELECTION

E-Z KLEEN GT (continued)

Ring Size	Shaft Size		Dynamic Capacity C, lbs.	Static Capacity C ₀ , lbs.	Allowable Equivalent Radial Load Rating (lbs.) at Various RPM*							
	GT	GTM			L ₁₀ Life - Hours	3840	4000	4240	4480	4800	5040	5300
204	3/4 20mm		2899	1482	20000	174	172	169	165	162	159	156
					30000	152	150	147	145	141	139	137
					40000	138	136	134	131	128	126	124
					60000	121	119	117	115	112	110	108
					100000	102	101	99	97	95	93	92
205	7/8 15/16 1 25mm	3/4	3146	1769	20000	189	187	183	180	176	173	170
					30000	165	163	160	157	153	151	148
					40000	150	148	145	143	139	137	135
					60000	131	129	127	125	122	120	118
					100000	111	109	107	105	103	101	99
206	1-1/8 1-3/16 1-1/4 30mm	1 25mm	4368	2538	20000	262	259	254	249	244	240	236
					30000	229	226	222	218	213	209	206
					40000	208	206	202	198	193	190	187
					60000	182	180	176	173	169	166	163
					100000	154	151	149	146	143	140	138
207	1-1/4 1-3/8 1-7/16 35mm	1-3/16 1-1/4 30mm	5759	3461	20000	346	341	335	329	321	316	
					30000	302	298	293	287	281	276	
					40000	275	271	266	261	255	251	
					60000	240	237	232	228	223	219	
					100000	202	200	196	192	188	185	
208	1-1/2 40mm	1-7/16 1-1/2▲ 35mm	7332	4475	20000	441	435	426	419			
					30000	385	380	372	366			
					40000	350	345	338	332			
					60000	306	301	296	290			
					100000	258	254	249	245			
209	1-5/8 1-11/16 1-3/4 45mm	1-1/2 40mm	7891	4906	20000	474	468	459				
					30000	414	409	401				
					40000	376	371	364				
					60000	329	324	318				
					100000	277	274	268				
210	1-15/16 2 50mm	1-11/16 1-3/4 45mm	7891	5213	20000	474						
					30000	414						
					40000	376						
					60000	329						
					100000	277						

* Speed limit values reflect quad contact seal

▲ Piloted flange only

NOTE: Bearing analysis program "BEST" is available on www.ptwizard.com

FEATURES/BENEFITS PAGE B2-3	HOW TO ORDER/NOMENCLATURE PAGE B2-8	SELECTION/DIMENSIONS PAGE B2-24	ACCESSORIES PAGE B2-77
--------------------------------	--	------------------------------------	---------------------------

EASY SELECTION



E-Z KLEEN GT (continued)

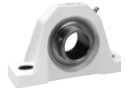
Ring Size	Shaft Size		Dynamic Capacity C, lbs.	Static Capacity Co, lbs.	Allowable Equivalent Radial Load Rating (lbs.) at Various RPM*						
	GT	GTM			L ₁₀ Life - Hours	5600	6000	6500	7000	7200	8000
204	3/4 20mm		2899	1482	20000	154	150	146	143	141	136
					30000	134	131	128	125	123	119
					40000	122	119	116	113	112	108
					60000	107	104	101	99	98	95
					100000	90	88	85	83	83	80
205	7/8 15/16 1 25mm	3/4	3146	1769	20000	167	163	159	155	153	
					30000	146	142	139	135	134	
					40000	132	129	126	123	122	
					60000	116	113	110	107	106	
					100000	97	95	93	91	90	
206	1-1/8 1-3/16 1-1/4 30mm	1 25mm	4368	2538	20000	231	226				
					30000	202	198				
					40000	184	180				
					60000	160	157				
					100000	135	132				
207	1-1/4 1-3/8 1-7/16 35mm	1-3/16 1-1/4 30mm	5759	3461	20000						
					30000						
					40000						
					60000						
					100000						
208	1-1/2 40mm	1-7/16 1-1/2▲ 35mm	7332	4475	20000						
					30000						
					40000						
					60000						
					100000						
209	1-5/8 1-11/16 1-3/4 45mm	1-1/2 40mm	7891	4906	20000						
					30000						
					40000						
					60000						
					100000						
210	1-15/16 2 50mm	1-11/16 1-3/4 45mm	7891	5213	20000						
					30000						
					40000						
					60000						
					100000						

* Speed limit values reflect quad contact seal

▲ Piloted flange only

NOTE: Bearing analysis program "BEST" is available on www.ptwizard.com

FEATURES/BENEFITS PAGE B2-3	HOW TO ORDER/NOMENCLATURE PAGE B2-8	SELECTION/DIMENSIONS PAGE B2-24	ACCESSORIES PAGE B2-77
--------------------------------	--	------------------------------------	---------------------------



EASY SELECTION

Table 2 - Easy Selection For E-Z KLEEN Polymer-Housed Sleeve Bearing Mounted Units - Inch

RADIAL LOAD RATINGS (LBS) AT VARIOUS REVOLUTIONS PER MINUTE (RPM)

Series	Shaft Size	Up To 10	25	50	75	100	150	200	250
204	3/4	450	400	375	300	230	175	110	90
205	1	600	550	450	215	235	175	110	90
206	1-3/16 1-1/4	900	800	500	325	250	175	110	90
207	1-1/4 1-7/16	1000	900	600	400	300	175	120	95
208	1-1/2	1400	1200	700	430	320	180	125	95
210	1-15/16	1800	1600	750	450	350	185	130	100

RADIAL LOAD RATINGS (LBS) AT VARIOUS REVOLUTIONS PER MINUTE (RPM)

Series	Shaft Size	300	350	400	450	500	550	600	650
204	3/4	60	50	45	40	35	25	20	15
205	1	60	50	45	40	35	25	20	15
206	1-3/16 1-1/4	65	60	50	40	35	30	25	20
207	1-1/4 1-7/16	70	65	55	45	40	35	30	
208	1-1/2	70	65	55	45	40	35		
210	1-15/16	80	70	60	50	45			

Continuous operating temperature: -40 to 180° F

NOTE: Bearing analysis program "BEST" is available on www.ptwizard.com

FEATURES/BENEFITS PAGE B2-3	HOW TO ORDER/NOMENCLATURE PAGE B2-8	SELECTION/DIMENSIONS PAGE B2-24	ACCESSORIES PAGE B2-77
--------------------------------	--	------------------------------------	---------------------------

Bearing Reference Guide

ULTRA KLEEN

E-Z KLEEN

Extreme Duty

Setscrew Ball Bearing

GRIP TIGHT

D-LOK Ball Bearing

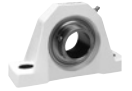


Table 3 - Easy Selection For E-Z KLEEN Polymer-Housed Sleeve Bearing Mounted Units - Metric

RADIAL LOAD RATINGS (NEWTONS) AT VARIOUS REVOLUTIONS PER MINUTE (RPM)

Series	Shaft Size	Up To 10	25	50	75	100	150	200	250
204	20	2000	1775	1665	1330	1020	775	485	400
205	25	2665	2445	2000	1400	1045	775	485	400
206	30	4000	3555	2220	1445	1110	775	485	400
207	35	4445	4000	2665	1775	1330	775	530	420
208	40	6225	5335	3110	1910	1420	8000	555	420
210	50	8005	7115	3335	2000	1555	820	575	440

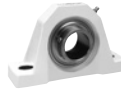
RADIAL LOAD RATINGS (NEWTONS) AT VARIOUS REVOLUTIONS PER MINUTE (RPM)

Series	Shaft Size	300	350	400	450	500	550	600	650
204	20	265	220	200	175	155	110	85	65
205	25	265	220	200	175	155	110	85	65
206	30	285	265	220	175	155	130	110	85
207	35	310	285	240	200	175	155	130	
208	40	310	285	240	200	175	155		
210	50	355	310	265	220	200			

Continuous operating temperature: -40 to 180° C

NOTE: Bearing analysis program “BEST” is available on www.ptwizard.com

FEATURES/BENEFITS PAGE B2-3	HOW TO ORDER/NOMENCLATURE PAGE B2-8	SELECTION/DIMENSIONS PAGE B2-24	ACCESSORIES PAGE B2-77
--------------------------------	--	------------------------------------	---------------------------



EASY SELECTION

Chemical Resistance Chart*

	Housing		Ball Bearing Insert	
	Polymer	Stainless	EZ-KLEEN	ULTRA-KLEEN
A				
Acetic Acid	B	B	A	B
Acetone	B	A	A	B
Ammonium Chloride		B	A	B
Ammonium Hydroxide	D	A		A
Aniline	A	A	B	A
B				
Beer		A	A	
Beet Sugar Liquids		A		
Benzene	B	B	B	B
Bleaching Lye	A			
Brake Fluid	A			
Butane	A	A	A	
Butanol	B	A	A	
Butyl Acetate	A	B	A	
C				
Calcium Chloride	A	B	A	C
Calcium Hydroxide		B	A	
Calcium Hypochlorite	A	D	B	C
Carbon Disulphide	A	B	B	
Carbon Tetrachloride	A	B	A	A
Chloroform	D	A	A	A
Chromic Acid	A	B	A	B
Citric Acid	A	A	A	A
Cresol	D	A		
D				
Detergents	A	A	A	A
Diesel Fuel	A	A	B	

Where: (A) = No Effect - Excellent
 (B) = Minor Effect - Good
 (C) = Moderate Effect - Fair
 (D) = Severe Effect - Not Recommended
 Blank = No Data Available

NOTE: All references assume exposure temperature of 72°F.

* This chemical resistance chart is intended as a guideline. For exposure to high concentrations, prolonged contact, or higher operating temperatures, etc. reliance upon actual application experience is best. Aggressive relubrication intervals may also benefit bearing life. Contact application engineering at 864-284-5700 for assistance.

NOTE: Bearing analysis program "BEST" is available on www.ptwizard.com

FEATURES/BENEFITS PAGE B2-3	HOW TO ORDER/NOMENCLATURE PAGE B2-8	SELECTION/DIMENSIONS PAGE B2-24	ACCESSORIES PAGE B2-77
--------------------------------	--	------------------------------------	---------------------------

Bearing Reference Guide

ULTRA KLEEN

E-Z KLEEN

Extreme Duty

Setscrew Ball Bearing

GRIP TIGHT

D-LOK Ball Bearing



Chemical Resistance Chart*

	Housing		Ball Bearing Insert	
	Polymer	Stainless	EZ-KLEEN	ULTRA-KLEEN
E				
Ethanol	A	A		A
Ether (diethyl-)	A	A	B	A
Ethyl Acetate	B	B	B	
Ethylene Dichloride	D	B	B	
F				
Ferrous Chloride		D	B	
Formaldehyde		B	B	
Formic Acid	B	B	A	B
Freon 11	A	A	A	
G				
Gasoline	A	A	A	A
Glycerol (Glycerin)	B	A	A	A
Glycol	B			
Grease	A	A	A	A
H				
Heptane	A	A	A	
Hexane	A	A	A	
Hydrochloric Acid (20%)	A	D	B	D
Hydrochloric Acid (100%)	D	D	C	D
Hydrofluoric Acid (20%)	D	D	B	D
Hydrofluoric Acid (100%)	D	D	C	D
Hydrogen Peroxide (10%)	A	C	A	
Hydrogen Peroxide (30%)	B	C	A	
I, K, L				
Iodine		D	B	D
Isopropanol (Isopropyl Alcohol)	B	A	A	
Kerosene	A	A	A	A
Lithium Chloride		A		

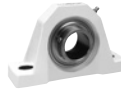
Where: (A) = No Effect - Excellent
 (B) = Minor Effect - Good
 (C) = Moderate Effect - Fair
 (D) = Severe Effect - Not Recommended
 Blank = No Data Available

NOTE: All references assume exposure temperature of 72°F.

* This chemical resistance chart is intended as a guideline. For exposure to high concentrations, prolonged contact, or higher operating temperatures, etc. reliance upon actual application experience is best. Aggressive relubrication intervals may also benefit bearing life. Contact application engineering at 864-284-5700 for assistance.

NOTE: Bearing analysis program “BEST” is available on www.ptwizard.com

FEATURES/BENEFITS PAGE B2-3	HOW TO ORDER/NOMENCLATURE PAGE B2-8	SELECTION/DIMENSIONS PAGE B2-24	ACCESSORIES PAGE B2-77
--------------------------------	--	------------------------------------	---------------------------



EASY SELECTION

Bearing Reference Guide

ULTRA KLEEN

E-Z KLEEN

Extreme Duty

Setscrew Ball Bearing

GRIP TIGHT

D-LOK Ball Bearing

Chemical Resistance Chart*

	Housing		Ball Bearing Insert	
	Polymer	Stainless	EZ-KLEEN	ULTRA-KLEEN
M				
Methanol	A	A	A	A
Methylene Chloride	D	B	B	
Methyl Ethyl Ketone	A	A	A	
Mineral Oil	A	A	A	A
Motor Oils	A	A	A	A
N				
Nitric Acid (10%)	A	A	A	A
Nitric Acid (20%)	D	A	A	A
Nitric Acid (50%)	D	A	A	A
O				
Oleic Acid	A	A	B	B
Olive Oil	A	A	A	A
P				
Perchloroethylene	A	B	B	
Phenol	B	B	A	
Phosphoric Acid (<40%)	A	B	A	A
Phosphoric Acid (>40%)	A	C	A	B
Potassium Chloride	A	B	A	B
Potassium Dichromate	A	B	B	B
Potassium Hydroxide	D	B	A	B
Potassium Permanganate	A	A	B	B
S				
Silicone	A	B	A	A
Soap Solution	A	A	A	A
Sodium Bicarbonate	A	A	A	A
Sodium Bisulfate		D	B	B
Sodium Bisulfite	A	B	B	B
Sodium Carbonate	A	A	A	B
Sodium Chloride	A	B	A	B
Sodium Hydroxide (20%)	D	A	A	A
Sodium Hydroxide (50%)	D	B	A	

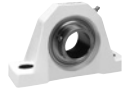
Where: (A) = No Effect - Excellent
 (B) = Minor Effect - Good
 (C) = Moderate Effect - Fair
 (D) = Severe Effect - Not Recommended
 Blank = No Data Available

NOTE: All references assume exposure temperature of 72°F.

* This chemical resistance chart is intended as a guideline. For exposure to high concentrations, prolonged contact, or higher operating temperatures, etc. reliance upon actual application experience is best. Aggressive relubrication intervals may also benefit bearing life. Contact application engineering at 864-284-5700 for assistance.

NOTE: Bearing analysis program "BEST" is available on www.ptwizard.com

FEATURES/BENEFITS PAGE B2-3	HOW TO ORDER/NOMENCLATURE PAGE B2-8	SELECTION/DIMENSIONS PAGE B2-24	ACCESSORIES PAGE B2-77
--------------------------------	--	------------------------------------	---------------------------



Chemical Resistance Chart*

	Housing		Ball Bearing Insert	
	Polymer	Stainless	EZ-KLEEN	ULTRA-KLEEN
S (Continued)				
Sodium Hydroxide (80%)	D	C	B	
Sodium Hypochlorite (<20%)	A	C	B	C
Sodium Hypochlorite (100%)	B	D	B	D
Sulfuric Acid (<10%)	A	D	A	C
Sulfuric Acid (10 - 75%)	A	D	B	D
Sulfuric Acid (>75%)	D	D	C	D
T				
Tetrahydrofuran	B	A	A	
Toulene	A	A	A	
Trichlorethylene	B	B	A	
Triethylamine		A	A	
Turpentine	A	A	A	
V, W, X				
Vegetable Oils	A	A	A	A
Water	A	A	A	A
Xylene	A	B	A	

Where: (A) = No Effect - Excellent
 (B) = Minor Effect - Good
 (C) = Moderate Effect - Fair
 (D) = Severe Effect - Not Recommended
 Blank = No Data Available

NOTE: All references assume exposure temperature of 72°F.

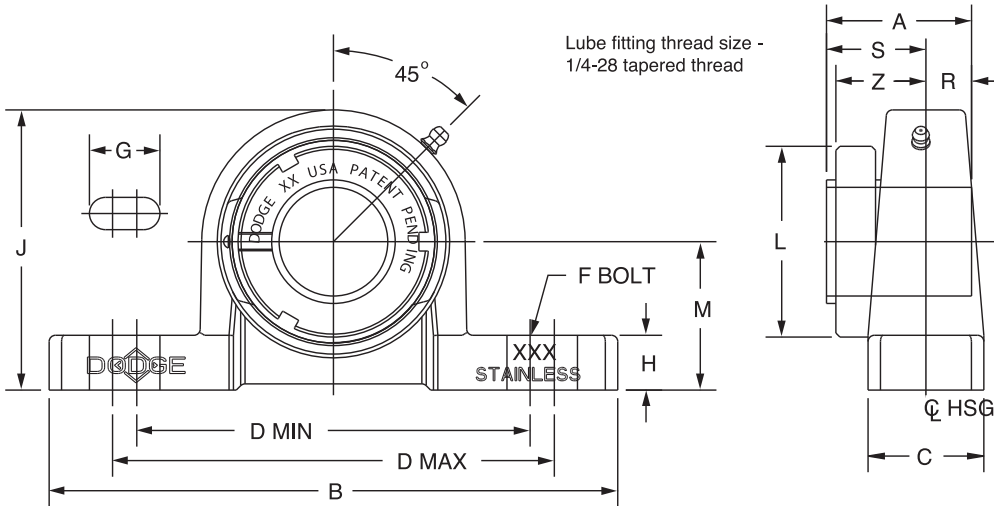
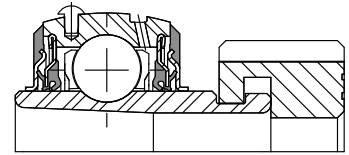
* This chemical resistance chart is intended as a guideline. For exposure to high concentrations, prolonged contact, or higher operating temperatures, etc. reliance upon actual application experience is best. Aggressive relubrication intervals may also benefit bearing life. Contact application engineering at 864-284-5700 for assistance.

NOTE: Bearing analysis program "BEST" is available on www.ptwizard.com

SELECTION/DIMENSIONS



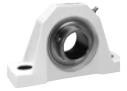
E-Z KLEEN Mounted Bearings GTEZ NORMAL DUTY STAINLESS STEEL HOUSED PILLOW BLOCKS



Series	Shaft Size	Complete Unit		Unit Without Adapter		Adapter & Nut Assembly	
		Part No.	Description	Part No.	Description	Part No.	Description
204	3/4	129260	P2B-GTEZ-012-SHCR	129559	P2B-GTEZ-04-SHCR	129967	AN-GT-04-012-CR
	20mm	129261	P2B-GTEZ-20M-SHCR			129980	AN-GT-04-20M-CR
205	1	129262	P2B-GTEZ-100-SHCR	129560	P2B-GTEZ-05-SHCR	129968	AN-GT-05-100-CR
	25mm	129263	P2B-GTEZ-25M-SHCR			129981	AN-GT-05-25M-CR
206	1-1/8	064994	P2B-GTEZ-102-SHCR	129561	P2B-GTEZ-06-SHCR	129969	AN-GT-06-102-CR
	1-3/16	129264	P2B-GTEZ-103-SHCR			129970	AN-GT-06-103-CR
	1-1/4	@	P2B-GTEZ-104S-SHCR			129971	AN-GT-06-104-CR
	30mm	@	P2B-GTEZ-30M-SHCR			129982	AN-GT-06-30M-CR
206 (GTU)	1-1/8	@	P2B-GTUEZ-102-SHCR	129566	P2B-GTUEZ-06-SHCR	129969	AN-GT-06-102-CR
	1-3/16	129265	P2B-GTUEZ-103-SHCR			129602	AN-GT-06-103-CR
	1-1/4	129266	P2B-GTUEZ-104S-SHCR			129605	AN-GT-06-104S-CR
	30mm	129267	P2B-GTUEZ-30M-SHCR			129612	AN-GT-06-30M-CR
207	1-1/4	129268	P2B-GTEZ-104-SHCR	129562	P2B-GTEZ-07-SHCR	129972	AN-GT-07-104-CR
	1-3/8	067678	P2B-GTEZ-106-SHCR			129973	AN-GT-07-106-CR
	1-7/16	129269	P2B-GTEZ-107-SHCR			129974	AN-GT-07-107-CR
	35mm	129270	P2B-GTEZ-35M-SHCR			129983	AN-GT-07-35M-CR
208	1-1/2	129271	P2B-GTEZ-108-SHCR	129563	P2B-GTEZ-08-SHCR	129975	AN-GT-08-108-CR
	40mm	@	P2B-GTEZ-40M-SHCR			129984	AN-GT-08-40M-CR
208 (GTB)	1-1/2	129272	P2B-GTBEZ-108-SHCR	129565	P2B-GTBEZ-08-SHCR	129606	AN-GT-08-108-CR
	40mm	129273	P2B-GTBEZ-40M-SHCR			129613	AN-GT-08-40M-CR
210	1-15/16	129274	P2B-GTEZ-115-SHCR	129564	P2B-GTEZ-10-SHCR	129978	AN-GT-10-115-CR
	2 50mm	073007	P2B-GTEZ-200-SHCR			129979	AN-GT-10-200-CR
		129275	P2B-GTEZ-50M-SHCR			129986	AN-GT-10-50M-CR

FEATURES/BENEFITS PAGE B2-3	HOW TO ORDER/NOMENCLATURE PAGE B2-8	SELECTION/DIMENSIONS PAGE B2-24	ACCESSORIES PAGE B2-77
--------------------------------	--	------------------------------------	---------------------------

SELECTION/DIMENSIONS



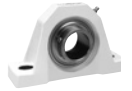
E-Z KLEEN Mounted Bearings GTEZ NORMAL DUTY STAINLESS STEEL HOUSED PILLOW BLOCKS

Series	Shaft Size	Weight lbs kg	A	B	C	D		F Bolt Dia.	G	H	J	L	M	R#	S#	Z
						min.	max.									
204	3/4	1.46	1.48	5.00	1.00	3.38	4.18	3/8	0.84	0.50	2.50	1.50	1.31	0.46	1.02	1.03
	20mm	0.65	37.6	127.0	25.4	85.9	106.2	M10	21.3	12.7	63.5	38.1	33.3	11.7	25.9	26.2
205	1	1.92	1.46	5.50	1.12	3.68	4.50	3/8	0.85	0.53	2.71	1.80	1.44	0.48	0.98	1.00
	25mm	0.83	37.1	139.7	28.4	93.5	114.3	M10	21.6	13.5	68.8	45.7	36.5	12.2	24.9	25.4
206	1-1/8	2.60	1.61	6.25	1.25	4.26	5.00	1/2	0.93	0.53	3.13	2.08	1.63	0.52	1.09	1.13
	1-3/16															
	30mm	1.18	40.9	158.8	31.8	108.2	127.0	M12	23.6	13.5	79.5	52.8	41.3	13.2	27.7	28.7
206 (GTU)	1-1/8	2.65	1.61	6.25	1.25	4.26	5.00	1/2	0.93	0.59	3.19	2.08	1.69	0.52	1.09	1.13
	1-3/16															
	30mm	1.18	40.9	158.8	31.8	108.2	127.0	M12	23.6	15.0	81.0	52.8	42.9	13.2	27.7	28.7
207	1-1/4	3.83	1.62	6.50	1.38	4.68	5.44	1/2	0.94	0.56	3.63	2.38	1.88	0.54	1.08	1.14
	1-3/8															
	35mm	1.75	41.1	165.1	35.1	118.9	138.2	M12	23.9	14.2	92.2	60.5	47.6	13.7	27.4	29.0
208	1-1/2	4.90	1.84	7.00	1.50	5.18	6.00	1/2	0.97	0.75	4.00	2.62	2.13	0.61	1.23	1.23
	40mm	2.22	46.7	177.8	38.1	131.6	152.4	M12	24.6	19.1	101.6	66.5	54.0	15.5	31.2	31.2
208 (GTB)	1-1/2	4.85	1.84	7.00	1.50	5.18	6.00	1/2	0.97	0.56	3.81	2.62	1.94	0.61	1.23	1.23
	40mm	2.22	46.7	177.8	38.1	131.6	152.4	M12	24.6	14.2	96.8	66.5	49.2	15.5	31.2	31.2
210	1-15/16	6.14	1.86	8.00	1.63	5.76	6.68	5/8	1.14	0.62	4.31	3.13	2.25	0.63	1.23	1.26
	50mm	2.62	47.2	203.2	41.4	146.3	169.7	M16	29.0	15.7	109.5	79.5	57.2	16.0	31.2	32.0

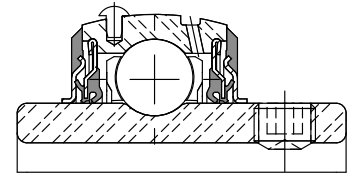
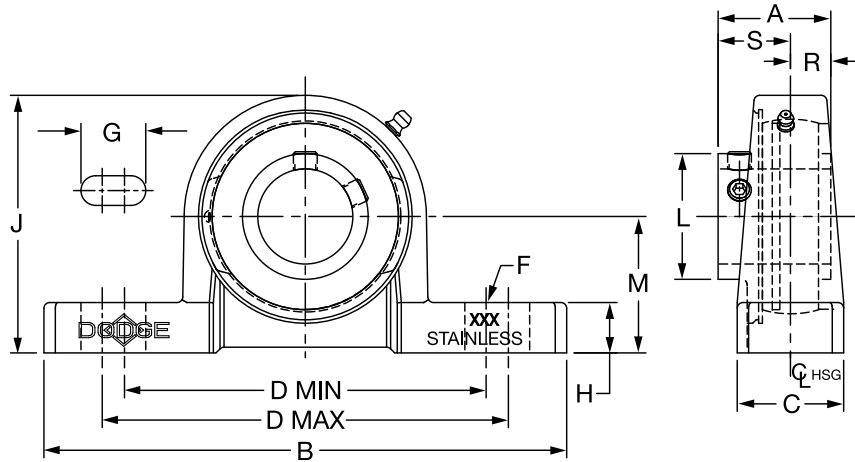
#R & S dimensions will vary slightly depending on true shaft diameter

FEATURES/BENEFITS PAGE B2-3	HOW TO ORDER/NOMENCLATURE PAGE B2-8	SELECTION/DIMENSIONS PAGE B2-24	ACCESSORIES PAGE B2-77
--------------------------------	--	------------------------------------	---------------------------

SELECTION/DIMENSIONS



E-Z KLEEN Mounted Bearings SCEZ NORMAL DUTY STAINLESS STEEL HOUSED PILLOW BLOCKS



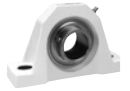
Series	Shaft Size	With Corrosion Resistant Insert		Standard Insert with Flingers	
		Part No.	Description	Part No.	Description
204	1/2	074512	P2B-SCEZ-008L-SHCR*	@	P2B-SCEZ-008L-SH
	5/8	068236	P2B-SCEZ-010L-SHCR*	074631	P2B-SCEZ-010L-SH
	3/4	127670	P2B-SCEZ-012-SHCR	059870	P2B-SCEZ-012-SH
	20mm	127697	P2B-SCEZ-20M-SHCR	@	P2B-SCEZ-20M-SH
205	7/8	056553	P2B-SCEZ-014-SHCR*	049996	P2B-SCEZ-014-SH
	15/16	067839	P2B-SCEZ-015-SHCR*	@	P2B-SCEZ-015-SH
	1	127671	P2B-SCEZ-100-SHCR	056796	P2B-SCEZ-100-SH
	25mm	127698	P2B-SCEZ-25M-SHCR	@	P2B-SCEZ-25M-SH
206	1-1/8	@	P2B-SCEZ-102-SHCR*	056548	P2B-SCEZ-102-SH
	1-3/16	127672	P2B-SCEZ-103-SHCR	056797	P2B-SCEZ-103-SH
	1-1/4	127674	P2B-SCEZ-104S-SHCR	067630	P2B-SCEZ-104S-SH
	30mm	@	P2B-SCEZ-30M-SHCR	@	P2B-SCEZ-30M-SH
206 (SCU)	1-1/8	@	P2B-SCUEZ-102-SHCR*	@	P2B-SCUEZ-102-SH
	1-3/16	127673	P2B-SCUEZ-103-SHCR	@	P2B-SCUEZ-103-SH
	1-1/4	127675	P2B-SCUEZ-104S-SHCR	@	P2B-SCUEZ-104S-SH
	30mm	127699	P2B-SCUEZ-30M-SHCR	@	P2B-SCUEZ-30M-SH
207	1-1/4	127676	P2B-SCEZ-104-SHCR	059798	P2B-SCEZ-104-SH
	1-3/8	@	P2B-SCEZ-106-SHCR*	056525	P2B-SCEZ-106-SH
	1-7/16	127677	P2B-SCEZ-107-SHCR	059799	P2B-SCEZ-107-SH
	35mm	127700	P2B-SCEZ-35M-SHCR	@	P2B-SCEZ-35M-SH
208	1-1/2	127678	P2B-SCEZ-108-SHCR	056565	P2B-SCEZ-108-SH
	1-5/8	@	P2B-SCEZ-110-SHCR*	062874	P2B-SCEZ-110-SH
	40mm	@	P2B-SCEZ-40M-SHCR	@	P2B-SCEZ-40M-SH
208 (SCB)	1-1/2	127679	P2B-SCBEZ-108-SHCR	@	P2B-SCBEZ-108-SH
	40mm	127701	P2B-SCBEZ-40M-SHCR	@	P2B-SCBEZ-40M-SH
210	1-11/16	@	P2B-SCMEZ-111-SHCR	@	P2B-SCMEZ-111-SH
	1-15/16	127680	P2B-SCEZ-115-SHCR	056800	P2B-SCEZ-115-SH
	2	064306	P2B-SCEZ-200-SHCR	062879	P2B-SCEZ-200-SH
	50mm	127702	P2B-SCEZ-50M-SHCR	@	P2B-SCEZ-50M-SH

@ Assembled to order

* 20 piece minimum

FEATURES/BENEFITS PAGE B2-3	HOW TO ORDER/NOMENCLATURE PAGE B2-8	SELECTION/DIMENSIONS PAGE B2-24	ACCESSORIES PAGE B2-77
--------------------------------	--	------------------------------------	---------------------------

SELECTION/DIMENSIONS



E-Z KLEEN Mounted Bearings SCEZ NORMAL DUTY STAINLESS STEEL HOUSED PILLOW BLOCKS

Bearing Reference Guide

ULTRA KLEEN

E-Z KLEEN

Extreme Duty

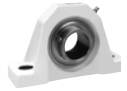
Setscrew Ball Bearing

GRIP TIGHT

D-LOK Ball Bearing

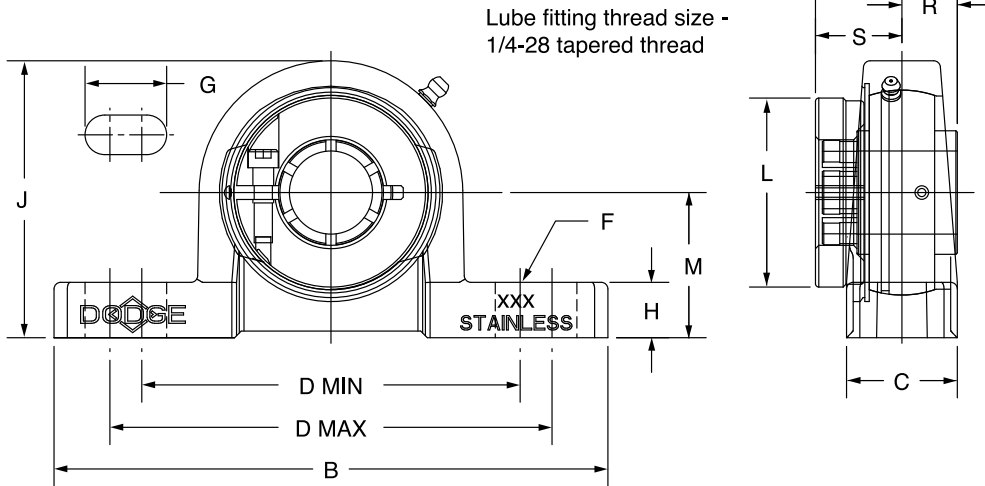
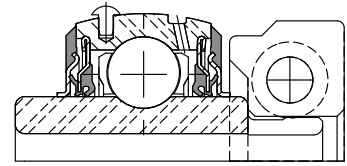
Series	Shaft Size	Weight lbs kg	A	B	C	D		F Bolt Dia.	G	H	J	L	M	R	S
						min.	max.								
204	1/2	1.39	1.23	5.00	1.00	3.38	4.18	3/8	0.84	0.50	2.50	1.12	1.31	0.50	0.73
	5/8	1.35													
	3/4	1.31													
	20mm	0.59	31.2	127.0	25.4	85.9	106.2	M10	21.3	12.7	63.5	28.4	33.3	12.7	18.5
205	7/8	1.65	1.34	5.50	1.12	3.68	4.50	3/8	0.85	0.53	2.71	1.32	1.44	0.56	0.78
	15/16	1.62													
	1	1.59													
	25mm	0.73	34.0	139.7	28.4	93.5	114.3	M10	21.6	13.5	68.8	33.5	36.5	14.2	19.8
206	1-1/8	2.37	1.52	6.25	1.25	4.26	5.00	1/2	0.93	0.53	3.13	1.57	1.63	0.58	0.94
	1-3/16	2.33													
	1-1/4	2.29													
	30mm	1.06	38.6	158.8	31.8	108.2	127.0	M12	23.6	13.5	79.5	39.9	41.3	14.7	23.9
206 (SCU)	1-1/8	2.48	1.52	6.25	1.25	4.26	5.00	1/2	0.93	0.59	3.19	1.57	1.69	0.58	0.94
	1-3/16	2.44													
	1-1/4	2.39													
	30mm	1.11	38.6	158.8	31.8	108.2	127.0	M12	23.6	15.0	81.0	39.9	42.9	14.7	23.9
207	1-1/4	3.36	1.71	6.50	1.38	4.68	5.44	1/2	0.94	0.56	3.63	1.84	1.88	0.67	1.04
	1-3/8	3.25													
	1-7/16	3.19													
	35mm	1.47	43.4	165.1	35.1	118.9	138.2	M12	23.9	14.2	92.2	46.7	47.6	17.0	26.4
208	1-1/2	4.39	1.94	7.00	1.50	5.18	6.00	1/2	0.97	0.75	4.00	2.05	2.13	0.75	1.19
	1-5/8														
	40mm	1.95	49.3	177.8	38.1	131.6	152.4	M12	24.6	19.1	101.6	52.1	54.0	19.1	30.2
208 (SCB)	1-1/2	3.93	1.94	7.00	1.50	5.18	6.00	1/2	0.97	0.56	3.81	2.05	1.94	0.75	1.19
	40mm	1.74	49.3	177.8	38.1	131.6	152.4	M12	24.6	14.2	96.8	52.1	49.2	19.1	30.2
210	1-11/16	5.14	1.94	8.00	1.63	5.76	6.68	5/8	1.14	0.62	4.31	2.43	2.25	0.75	1.19
	1-15/16	5.09													
	2 50mm	2.29	49.3	203.2	41.4	146.3	169.7	M16	29.0	15.7	109.5	61.7	57.2	19.1	30.2

FEATURES/BENEFITS PAGE B2-3	HOW TO ORDER/NOMENCLATURE PAGE B2-8	SELECTION/DIMENSIONS PAGE B2-24	ACCESSORIES PAGE B2-77
--------------------------------	--	------------------------------------	---------------------------



SELECTION/DIMENSIONS

E-Z KLEEN Mounted Bearings DLEZ NORMAL DUTY STAINLESS STEEL HOUSED PILLOW BLOCKS

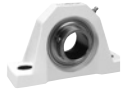


Series	Shaft Size	Part No.	Description	Weight lgs kg	A	B	C	D		F Bolt Dia.	G	H	J	L	M	R	S
								min.	max.								
204	3/4	127715	P2B-DLEZ-012-SHCR	1.46	1.28	5.00	1.00	3.38	4.18	3/8	0.84	0.50	2.50	1.71	1.31	0.50	0.78
	20mm	127739	P2B-DLEZ-20M-SHCR	0.65	32.5	127.0	25.4	85.9	106.2	M10	21.3	12.7	63.5	43.4	33.3	12.7	19.8
205	7/8	@	P2B-DLEZ-014-SHCR*	1.92	1.44	5.50	1.12	3.68	4.50	3/8	0.85	0.53	2.71	1.99	1.44	0.56	0.88
	15/16	@	P2B-DLEZ-015-SHCR*	1.87													
	1	127716	P2B-DLEZ-100-SHCR	1.82													
	25mm	127740	P2B-DLEZ-25M-SHCR	0.83	36.6	139.7	28.4	93.5	114.3	M10	21.6	13.5	68.8	50.5	36.5	14.2	22.4
206	1-1/8	@	P2B-DLEZ-102-SHCR*	2.60	1.56	6.25	1.25	4.26	5.00	1/2	0.93	0.53	3.13	2.22	1.63	0.58	0.98
	1-3/16	127717	P2B-DLEZ-103-SHCR	2.55													
	1-1/4	127718	P2B-DLEZ-104S-SHCR	2.50													
	30mm	127741	P2B-DLEZ-30M-SHCR	1.18	39.6	158.8	31.8	108.2	127.0	M12	23.6	13.5	79.5	56.4	41.3	14.7	24.9
206 (DLU)	1-1/8	@	P2B-DLUEZ-102-SHCR*	2.65	1.56	6.25	1.25	4.26	5.00	1/2	0.93	0.59	3.19	2.22	1.69	0.58	0.98
	1-3/16	068234	P2B-DLUEZ-103-SHCR	2.60													
	1-1/4	@	P2B-DLUEZ-104S-SHCR	2.55													
	30mm	@	P2B-DLUEZ-30M-SHCR	1.18	39.6	158.8	31.8	108.2	127.0	M12	23.6	15.0	81.0	56.4	42.9	14.7	24.9
207	1-1/4	127719	P2B-DLEZ-104-SHCR	3.83	1.75	6.50	1.38	4.68	5.44	1/2	0.94	0.56	3.63	2.69	1.88	0.67	1.08
	1-3/8	@	P2B-DLEZ-106-SHCR*	3.74													
	1-7/16	127720	P2B-DLEZ-107-SHCR	3.66													
	35mm	127742	P2B-DLEZ-35M-SHCR	1.75	44.5	165.1	35.1	118.9	138.2	M12	23.9	14.2	92.2	68.3	47.6	17.0	27.4
208	1-1/2	127721	P2B-DLEZ-108-SHCR	4.90	2.01	7.00	1.50	5.18	6.00	1/2	0.97	0.75	4.00	2.74	2.13	0.75	1.26
	40mm	127743	P2B-DLEZ-40M-SHCR	2.22	51.1	177.8	38.1	131.6	152.4	M12	24.6	19.1	101.6	69.6	54.0	19.1	32.0
208 (DLB)	1-1/2	049469	P2B-DLBEZ-108-SHCR	4.85	2.01	7.00	1.50	5.18	6.00	1/2	0.97	0.56	3.81	2.74	1.94	0.75	1.26
	40mm	@	P2B-DLBEZ-40M-SHCR	2.22	51.1	177.8	38.1	131.6	152.4	M12	24.6	14.2	96.8	69.6	49.2	19.1	32.0
210	1-11/16	@	P2B-DLMEZ-111-SHCR*	6.14	2.01	8.00	1.63	5.76	6.68	5/8	1.14	0.62	4.31	3.24	2.25	0.75	1.26
	1-15/16	127722	P2B-DLEZ-115-SHCR	5.77													
	50mm	127744	P2B-DLEZ-50M-SHCR	2.62	51.1	203.2	41.4	146.3	169.7	M16	29.0	15.7	109.5	82.3	57.2	19.1	32.0

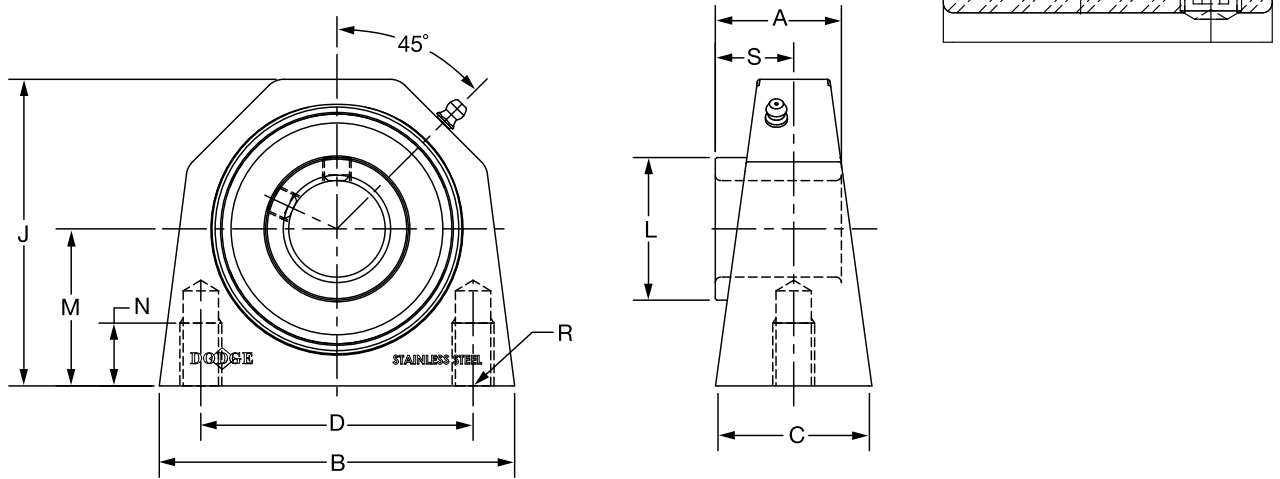
@ Assembled to order
20 piece minimum

FEATURES/BENEFITS PAGE B2-3	HOW TO ORDER/NOMENCLATURE PAGE B2-8	SELECTION/DIMENSIONS PAGE B2-24	ACCESSORIES PAGE B2-77
--------------------------------	--	------------------------------------	---------------------------

SELECTION/DIMENSIONS



E-Z KLEEN Mounted Bearings SCEZ TB SHCR NORMAL DUTY STAINLESS STEEL TAPPED BASE BEARINGS

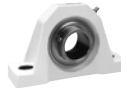


Series	Shaft Size	Corrosion Resistant Insert		Weight lbs kg	A	B	C	D	J	L	M	N	R	S
		Part No.	Description											
204	3/4	136912	TB-SCEZ-012-SHCR	1.27	1.23	2.77	1.36	2.00	2.50	1.12	1.31	0.45	3/8-16	0.73
	20mm	136955	TB-SCEZ-20M-SHCR	.58	31.2	70.4	34.5	50.8	63.5	28.4	33.4	11.4	3/8-16	18.5
205	1	136913	TB-SCEZ-100-SHCR	1.48	1.34	3.06	1.39	2.00	2.75	1.32	1.44	0.45	3/8-16	0.78
	25mm	136956	TB-SCEZ-25M-SHCR	.67	34.0	77.7	35.3	50.8	69.9	33.5	36.5	11.4	3/8-16	19.8
206	1-3/16	136914	TB-SCEZ-103-SHCR	3.55	1.52	3.84	1.50	3.00	3.22	1.57	1.69	0.88	7/16-14	0.94
	1-1/4 30mm	136915 136957	TB-SCEZ-104S-SHCR TB-SCEZ-30M-SHCR	10.61	38.6	97.5	38.1	76.2	81.8	39.9	42.9	22.4	7/16-14	23.9
207	1-1/4	136916	TB-SCEZ-104-SHCR	4.21	1.71	4.15	1.77	3.25	3.66	1.84	1.88	0.75	1/2-13	1.04
	1-7/16 35mm	136917 136958	TB-SCEZ-107-SHCR TB-SCEZ-35M-SHCR	1.91	43.4	105.4	45.0	82.6	93.0	46.7	47.6	19.1	1/2-13	26.4
208	1-1/2	136918	TB-SCEZ-108-SHCR	5.67	1.94	4.51	1.80	3.50	4.00	2.05	2.13	1.00	1/2-13	1.19
	40mm	136959	TB-SCEZ-40M-SHCR	2.57	49.3	114.6	45.7	88.9	101.6	52.1	54.0	25.4	1/2-13	30.2
210	1-15/16	136919	TB-SCEZ-115-SHCR	5.58	1.94	5.37	1.92	4.00	4.47	2.43	2.25	1.25	5/8-11	1.19
	50mm	136960	TB-SCEZ-50M-SHCR	2.53	49.3	136.4	48.8	101.6	113.5	61.7	57.2	31.8	5/8-11	30.2

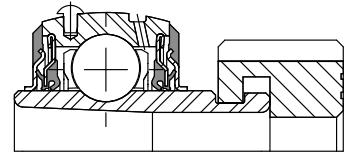
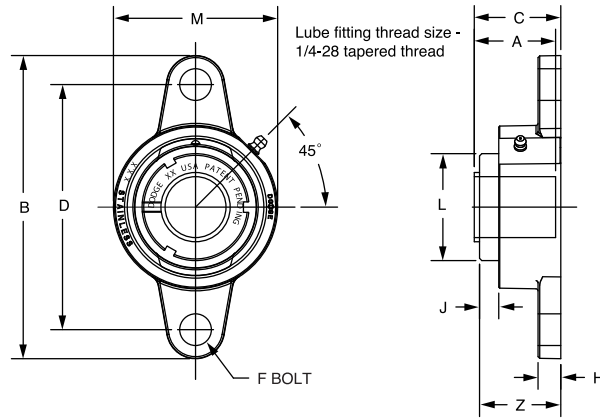
Bearing Reference Guide
 ULTRA KLEEN
 E-Z KLEEN
 Extreme Duty
 Setscrew Ball Bearing
 GRIP TIGHT
 D-LOK Ball Bearing

FEATURES/BENEFITS PAGE B2-3	HOW TO ORDER/NOMENCLATURE PAGE B2-8	SELECTION/DIMENSIONS PAGE B2-24	ACCESSORIES PAGE B2-77
--------------------------------	--	------------------------------------	---------------------------

SELECTION/DIMENSIONS



E-Z KLEEN Mounted Bearings GTEZ NORMAL DUTY STAINLESS STEEL 2-BOLT FLANGE BEARINGS



Series	Shaft Size	Complete Unit		Unit Without Adapter		Adapter & Nut Assembly	
		Part No.	Description	Part No.	Description	Part No.	Description
204	3/4 20mm	129355	F2B-GTEZ-012-SHCR	129573	F2B-GTEZ-04-SHCR	129967	AN-GT-04-012-CR
		129356	F2B-GTEZ-20M-SHCR			129980	AN-GT-04-20M-CR
205	1 25mm	129357	F2B-GTEZ-100-SHCR	129574	F2B-GTEZ-05-SHCR	129968	AN-GT-05-100-CR
		129358	F2B-GTEZ-25M-SHCR			129981	AN-GT-05-25M-CR
206	1-1/8	@	F2B-GTEZ-102-SHCR	129575	F2B-GTEZ-06-SHCR	129969	AN-GT-06-102-CR
	1-3/16	129359	F2B-GTEZ-103-SHCR			129970	AN-GT-06-103-CR
	1-1/4	129360	F2B-GTEZ-104S-SHCR			129971	AN-GT-06-104S-CR
	30mm	129361	F2B-GTEZ-30M-SHCR			129982	AN-GT-06-30M-CR
207	1-1/4	129362	F2B-GTEZ-104-SHCR	129576	F2B-GTEZ-07-SHCR	129972	AN-GT-07-104-CR
	1-3/8	065694	F2B-GTEZ-106-SHCR			129973	AN-GT-07-106-CR
	1-7/16	129363	F2B-GTEZ-107-SHCR			129974	AN-GT-07-107-CR
	35mm	129364	F2B-GTEZ-35M-SHCR			129983	AN-GT-07-35M-CR
208	1-1/2	129365	F2B-GTEZ-108-SHCR	129577	F2B-GTEZ-08-SHCR	129975	AN-GT-08-108-CR
	40mm	129366	F2B-GTEZ-40M-SHCR			129984	AN-GT-08-40M-CR
210	1-15/16	129367	F2B-GTEZ-115-SHCR	129578	F2B-GTEZ-10-SHCR	129978	AN-GT-10-115-CR
	2 50mm	073008 129368	F2B-GTEZ-200-SHCR F2B-GTEZ-50M-SHCR			129979 129986	AN-GT-10-200-CR AN-GT-10-50M-CR

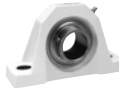
@ Assembled to order

Series	Shaft Size	Weight lbs kg	A	B	C#	D	F Bolt Dia.	H	J	L	M	Z
204	3/4	1.10	1.48	4.38	1.54	3.54	3/8	0.32	0.66	1.50	2.38	1.55
	20mm	0.49	37.6	111.3	39.1	90.0	M10	8.1	16.8	38.1	60.5	39.4
205	1	1.43	1.46	4.89	1.57	3.89	3/8	0.35	0.61	1.80	2.63	1.58
	25mm	0.65	37.1	124.2	39.9	98.8	M10	8.9	15.5	45.7	66.8	40.1
206	1-1/8	2.21	1.61	5.51	1.75	4.59	3/8	0.35	0.65	2.08	3.13	1.78
	1-3/16	2.17										
	1-1/4	2.13										
	30mm	0.98	40.9	140.0	44.5	116.5	M10	8.9	16.5	52.8	79.5	45.2
207	1-1/4	3.12	1.62	6.18	1.80	5.12	1/2	0.42	0.64	2.38	3.50	1.86
	1-3/8	2.99										
	1-7/16	2.95										
	35mm	1.42	41.1	157.0	45.7	130.0	M12	10.7	16.3	60.5	88.9	47.2
208	1-1/2	3.91	1.84	6.71	2.01	5.65	1/2	0.42	0.67	2.62	3.84	2.02
	40mm	1.77	46.7	170.4	51.1	143.5	M12	10.7	17.0	66.5	97.5	51.3
210	1-15/16	4.89	1.86	7.48	2.03	6.18	5/8	0.48	0.70	3.13	4.31	2.05
	2 50mm	4.85 2.20										

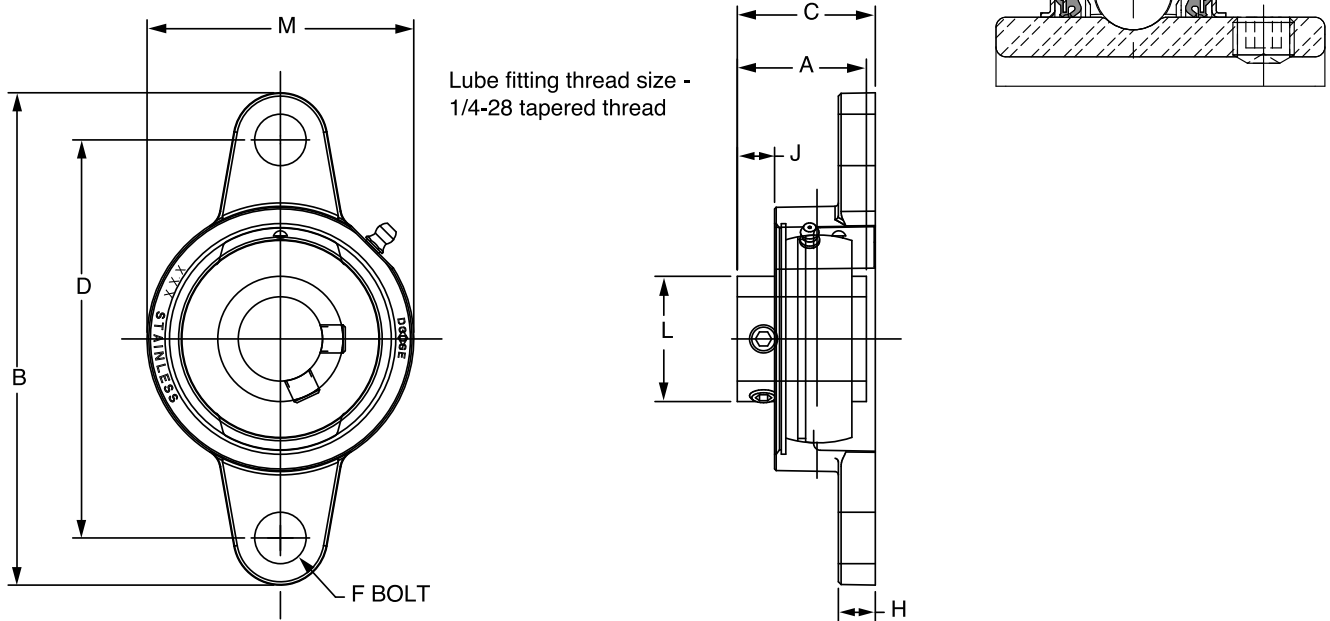
#C dimension will vary slightly depending on true shaft diameter.

FEATURES/BENEFITS PAGE B2-3	HOW TO ORDER/NOMENCLATURE PAGE B2-8	SELECTION/DIMENSIONS PAGE B2-24	ACCESSORIES PAGE B2-77
--------------------------------	--	------------------------------------	---------------------------

SELECTION/DIMENSIONS



E-Z KLEEN Mounted Bearings SCEZ NORMAL DUTY STAINLESS STEEL 2-BOLT FLANGE BEARINGS



Series	Shaft Size	With Corrosion Resistant Insert		Standard Insert with Flingers		Weight lbs kg	A	B	C	D	F Bolt Dia.	H	J	L	M
		Part No.	Description	Part No.	Description										
204	1/2	073396	F2B-SCEZ-008L-SHCR*	@	F2B-SCEZ-008L-SH	1.04	1.23	4.38	1.25	3.54	3/8	0.32	0.36	1.12	2.38
	5/8	062994	F2B-SCEZ-010L-SHCR*	@	F2B-SCEZ-010L-SH	0.99									
	3/4	127681	F2B-SCEZ-012-SHCR	056801	F2B-SCEZ-012-SH	0.95									
	20mm	127703	F2B-SCEZ-20M-SHCR	@	F2B-SCEZ-20M-SH	0.42	31.2	111.3	31.8	90.0	M10	8.1	9.1	28.4	60.5
205	7/8	@	F2B-SCEZ-014-SHCR*	064000	F2B-SCEZ-014-SH	1.25	1.34	4.89	1.37	3.89	3/8	0.35	0.39	1.32	2.63
	15/16	@	F2B-SCEZ-015-SHCR*	049686	F2B-SCEZ-015-SH	1.23									
	1	127682	F2B-SCEZ-100-SHCR	056611	F2B-SCEZ-100-SH	1.21									
	25mm	127704	F2B-SCEZ-25M-SHCR	@	F2B-SCEZ-25M-SH	0.55	34.0	124.2	34.8	98.8	M10	8.9	9.9	33.5	66.8
206	1-1/8	064341	F2B-SCEZ-102-SHCR	064255	F2B-SCEZ-102-SH	1.95	1.52	5.51	1.59	4.59	3/8	0.35	0.46	1.57	3.13
	1-3/16	127683	F2B-SCEZ-103-SHCR	056971	F2B-SCEZ-103-SH	1.91									
	1-1/4	127684	F2B-SCEZ-104S-SHCR	056612	F2B-SCEZ-104S-SH	1.87									
	30mm	127705	F2B-SCEZ-30M-SHCR	@	F2B-SCEZ-30M-SH	0.87	38.6	140.0	40.4	116.5	M10	8.9	11.7	39.9	79.5
207	1-1/4	127685	F2B-SCEZ-104-SHCR	056802	F2B-SCEZ-104-SH	2.64	1.71	6.18	1.76	5.12	1/2	0.42	0.55	1.84	3.50
	1-3/8	056734	F2B-SCEZ-106-SHCR*	@	F2B-SCEZ-106-SH	2.53									
	1-7/16	127686	F2B-SCEZ-107-SHCR	056803	F2B-SCEZ-107-SH	2.47									
	35mm	127706	F2B-SCEZ-35M-SHCR	@	F2B-SCEZ-35M-SH	1.15	43.4	157.0	44.7	130.0	M12	10.7	14.0	46.7	88.9
208	1-1/2	127687	F2B-SCEZ-108-SHCR	056804	F2B-SCEZ-108-SH	3.40	1.94	6.71	1.97	5.65	1/2	0.42	0.63	2.05	3.84
	1-5/8	068283	F2B-SCEZ-110-SHCR	—	—	3.10									
	40mm	127707	F2B-SCEZ-40M-SHCR	075248	F2B-SCEZ-40M-SH	1.50	49.3	170.4	50.0	143.5	M12	10.7	16.0	52.1	97.5
210	1-11/16	@	F2B-SCMEZ-111-SHCR*	056552	F2B-SCMEZ-111-SH	4.21	1.94	7.48	1.98	6.18	5/8	0.48	0.63	2.43	4.31
	1-15/16	127688	F2B-SCEZ-115-SHCR	056805	F2B-SCEZ-115-SH	4.17									
	2	062913	F2B-SCEZ-200-SHCR	056964	F2B-SCEZ-200-SH	4.13									
	50mm	127708	F2B-SCEZ-50M-SHCR	@	F2B-SCEZ-50M-SH	1.87	49.3	190.0	50.3	157.0	M16	12.2	16.0	61.7	109.5

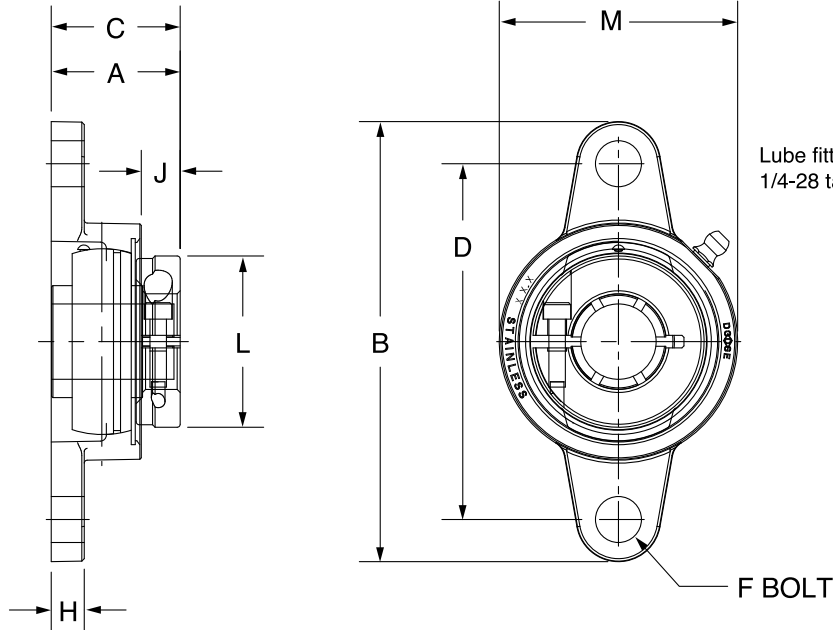
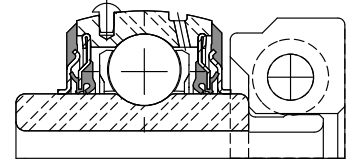
@ Assembled to order
*20 piece minimum

FEATURES/BENEFITS PAGE B2-3	HOW TO ORDER/NOMENCLATURE PAGE B2-8	SELECTION/DIMENSIONS PAGE B2-24	ACCESSORIES PAGE B2-77
--------------------------------	--	------------------------------------	---------------------------

SELECTION/DIMENSIONS



E-Z KLEEN Mounted Bearings DLEZ NORMAL DUTY STAINLESS STEEL 2-BOLT FLANGE BEARINGS



Lube fitting thread size -
1/4-28 tapered thread

Series	Shaft Size	Part No.	Description	Weight lbs kg	A	B	C	D	F Bolt Dia.	H	J	L	M
204	3/4	127723	F2B-DLEZ-012-SHCR	1.10	1.28	4.38	1.30	3.54	3/8	0.32	0.41	1.71	2.38
	20mm	127745	F2B-DLEZ-20M-SHCR	0.49	32.5	111.3	33.0	90.0	M10	8.1	10.4	43.4	60.5
205	7/8	@	F2B-DLEZ-014-SHCR*	1.51	1.44	4.89	1.46	3.89	3/8	0.35	0.48	1.99	2.63
	15/16	@	F2B-DLEZ-015-SHCR*	1.47									
	1	127724	F2B-DLEZ-100-SHCR	1.43									
	25mm	127746	F2B-DLEZ-25M-SHCR	0.65	36.6	124.2	37.1	98.8	M10	8.9	12.2	50.5	66.8
206	1-1/8	076584	F2B-DLEZ-102-SHCR*	2.21	1.56	5.51	1.63	4.59	3/8	0.35	0.50	2.22	3.13
	1-3/16	127725	F2B-DLEZ-103-SHCR	2.17									
	1-1/4	127726	F2B-DLEZ-104S-SHCR	2.13									
	30mm	127747	F2B-DLEZ-30M-SHCR	0.98	39.6	140.0	41.4	116.5	M10	8.9	12.7	56.4	79.5
207	1-1/4	127727	F2B-DLEZ-104-SHCR	3.12	1.75	6.18	1.80	5.12	1/2	0.42	0.58	2.69	3.50
	1-3/8	@	F2B-DLEZ-106-SHCR*	2.99									
	1-7/16	127728	F2B-DLEZ-107-SHCR	2.95									
	35mm	127748	F2B-DLEZ-35M-SHCR	1.42	44.5	157.0	45.7	130.0	M12	10.7	14.7	68.3	88.9
208	1-1/2	127729	F2B-DLEZ-108-SHCR	3.91	2.01	6.71	2.05	5.65	1/2	0.42	0.70	2.74	3.84
	40mm	127749	F2B-DLEZ-40M-SHCR	1.77	51.1	170.4	52.1	143.5	M12	10.7	17.8	69.6	97.5
210	1-11/16	@	F2B-DLMEZ-111-SHCR*	4.89	2.01	7.48	2.05	6.18	5/8	0.48	0.70	3.24	4.31
	1-15/16	127730	F2B-DLEZ-115-SHCR	4.85									
	50mm	127750	F2B-DLEZ-50M-SHCR	2.20	51.1	190.0	52.1	157.0	M16	12.2	17.8	82.3	109.5

@ Assembled to order

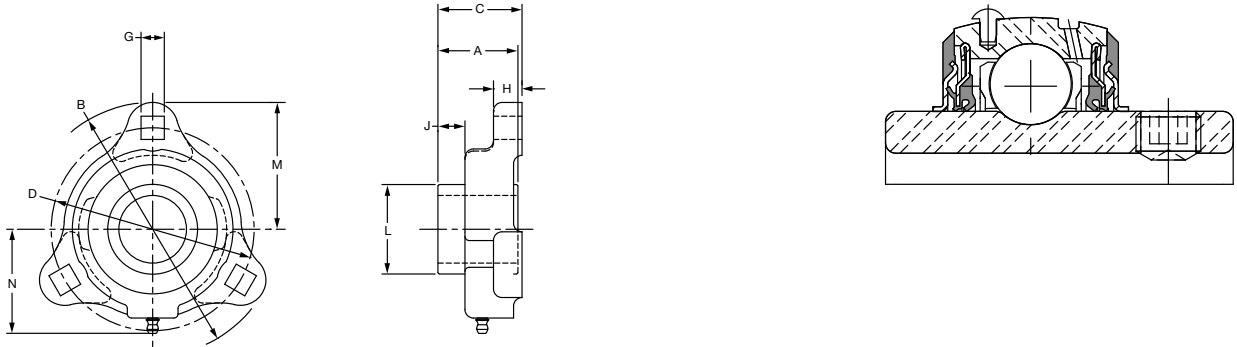
*20 piece minimum

FEATURES/BENEFITS PAGE B2-3	HOW TO ORDER/NOMENCLATURE PAGE B2-8	SELECTION/DIMENSIONS PAGE B2-24	ACCESSORIES PAGE B2-77
--------------------------------	--	------------------------------------	---------------------------

SELECTION/DIMENSIONS

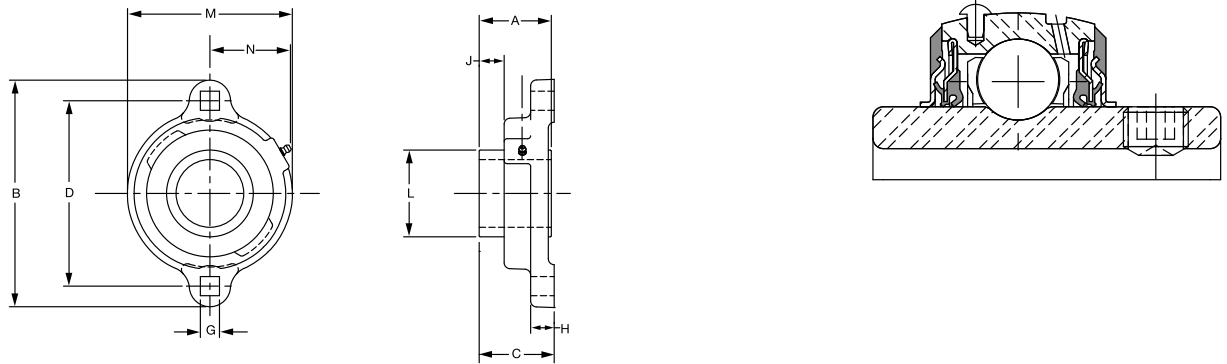


E-Z KLEEN Mounted Bearings SCEZ LF SHCR NORMAL DUTY STAINLESS STEEL 3-BOLT FLANGE BEARINGS



Series	Shaft Size	Corrosion Resistant Insert		Weight lbs. kgs.	A	B	C	D	G	H	J	L	M	N
		Part No.	Description											
204	3/4	136927	LF-SCEZ-012-SHCR	.64	1.02	3.56	1.24	2.81	0.34	0.58	0.37	1.12	1.78	1.55
	20 mm	136966	LF-SCEZ-20M-SHCR	.29	25.9	90.4	31.6	71.4	8.6	14.7	9.3	28.4	45.2	39.4
205	1	136928	LF-SCEZ-100-SHCR	.80	1.06	3.75	1.34	3.00	0.34	0.50	0.37	1.32	1.88	1.67
	25 mm	136967	LF-SCEZ-25M-SHCR	.36	26.8	95.3	34.1	76.2	8.6	12.7	9.5	33.5	47.8	42.4
206	1-3/16	136929	LF-SCEZ-103-SHCR	1.23	1.26	4.44	1.56	3.56	0.41	0.61	0.48	1.57	2.22	1.98
	1-1/4	136930	LF-SCEZ-104S-SHCR											
	30 mm	136968	LF-SCEZ-30M-SHCR	.56	32.0	112.8	39.6	90.4	10.4	15.5	12.1	39.9	56.4	50.3
207	1-1/4	136931	LF-SCEZ-104-SHCR	1.73	1.40	4.81	1.73	3.94	0.41	0.67	0.53	1.84	2.41	2.09
	1-7/16	136932	LF-SCEZ-107-SHCR											
	35 mm	136969	LF-SCEZ-35M-SHCR	.78	35.7	122.2	44.0	100.1	10.4	17.1	13.6	46.7	61.2	53.1

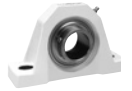
E-Z KLEEN Mounted Bearings SCEZ SHCR NORMAL DUTY STAINLESS STEEL HOUSED 2-BOLT FLANGE BEARINGS



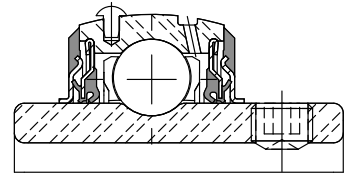
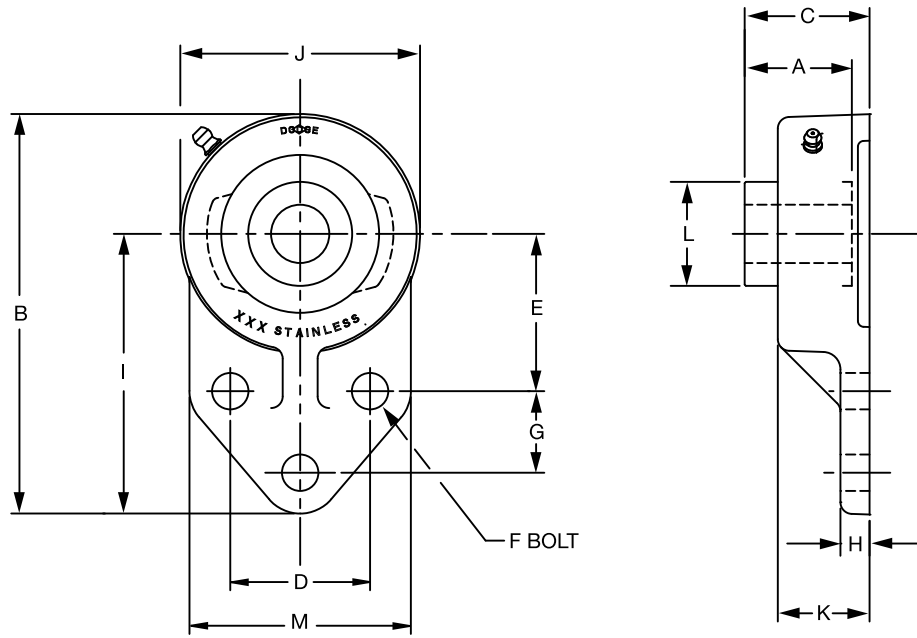
Series	Shaft Size	Corrosion Resistant Insert		Weight lbs. kgs.	A	B	C	D	G	H	J	L	M	N
		Part No.	Description											
204	3/4	136933	LFT-SCEZ-012-SHCR	.68	1.02	3.56	1.24	2.81	0.34	0.58	0.37	1.12	2.38	1.34
	20 mm	136970	LFT-SCEZ-20M-SHCR	.31	25.9	90.4	31.6	71.4	8.6	14.7	9.3	28.4	60.5	34.0
205	1	136934	LFT-SCEZ-100-SHCR	.84	1.06	3.75	1.34	3.00	0.34	0.50	0.37	1.32	2.63	1.44
	25 mm	136971	LFT-SCEZ-25M-SHCR	.38	26.8	95.3	34.1	76.2	8.6	12.7	9.5	33.5	66.8	36.6
206	1-3/16	136935	LFT-SCEZ-103-SHCR	1.28	1.26	4.44	1.56	3.56	0.41	0.61	0.48	1.57	3.25	1.72
	1-1/4	136936	LFT-SCEZ-104S-SHCR											
	30 mm	136972	LFT-SCEZ-30M-SHCR	.58	32.0	112.8	39.6	90.4	10.4	15.5	12.1	39.9	82.6	43.7
207	1-1/4	136937	LFT-SCEZ-104-SHCR	1.77	1.40	4.81	1.73	3.94	0.41	0.67	0.53	1.84	3.50	1.83
	1-7/16	136938	LFT-SCEZ-107-SHCR											
	35 mm	136973	LFT-SCEZ-35M-SHCR	.80	35.7	122.2	44.0	100.1	10.4	17.1	13.6	46.7	88.9	46.5

FEATURES/BENEFITS PAGE B2-3	HOW TO ORDER/NOMENCLATURE PAGE B2-8	SELECTION/DIMENSIONS PAGE B2-24	ACCESSORIES PAGE B2-77
--------------------------------	--	------------------------------------	---------------------------

SELECTION/DIMENSIONS



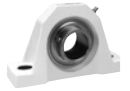
E-Z KLEEN Ball Bearings SCEZ SHCR NORMAL DUTY STAINLESS STEEL FLANGE BRACKET BEARINGS



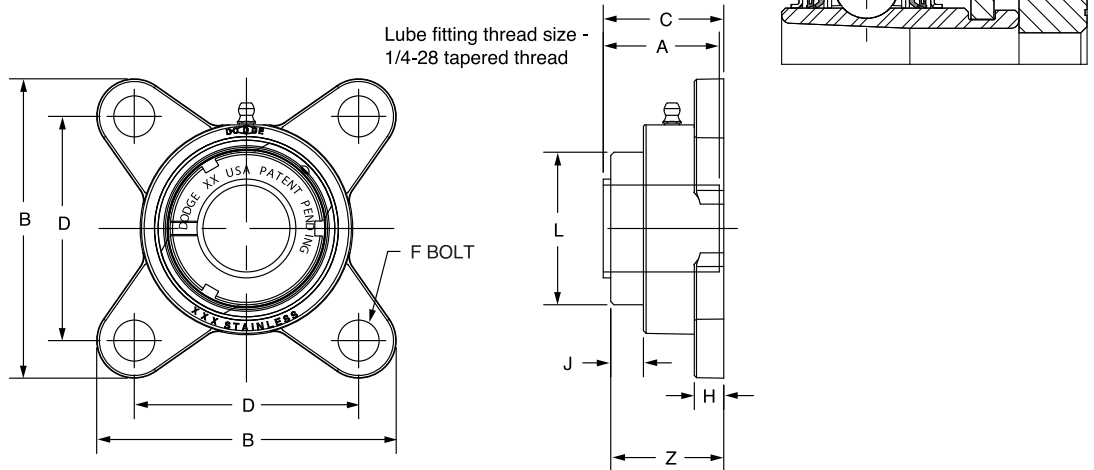
Series	Shaft Size	Corrosion Resistant Insert		Weight lbs. kgs.	A	B	C	D	E	F Bolt Dia	G	H	I	J	K	L	M
		Part No.	Description														
204	3/4	136920	FB-SCEZ-012-SHCR	1.00	1.23	4.19	1.25	1.50	1.69	3/8	0.88	0.31	3.00	2.38	0.90	1.12	2.38
	20mm	136961	FB-SCEZ-20M-SHCR	.45	31.2	106.4	31.8	38.1	42.9	M10	22.4	7.9	76.2	60.5	22.9	28.4	60.5
205	1	136921	FB-SCEZ-100-SHCR	1.26	1.34	4.69	1.37	1.63	1.81	3/8	1.13	0.38	3.38	2.63	0.98	1.32	2.50
	25mm	136962	FB-SCEZ-25M-SHCR	.52	34.0	119.1	34.8	41.4	46.0	M10	28.7	9.7	85.9	66.8	24.9	33.5	63.5
206	1-3/16	136922	FB-SCEZ-103-SHCR	1.96	1.52	5.31	1.59	1.88	2.06	3/8	1.25	0.38	3.75	3.13	1.14	1.57	2.75
	1-1/4	136923	FB-SCEZ-104S-SHCR														
	30mm	136963	FB-SCEZ-30M-SHCR	.89	38.6	134.9	40.4	47.8	52.3	M10	31.8	9.7	95.3	79.5	29.0	39.9	69.9
207	1-1/4	136924	FB-SCEZ-104-SHCR	2.87	1.71	6.00	1.76	2.00	2.38	1/2	1.25	0.50	4.25	3.50	1.22	1.84	3.25
	1-7/16	136925	FB-SCEZ-107-SHCR														
	35mm	136964	FB-SCEZ-35M-SHCR	1.3	43.4	152.4	44.7	50.8	60.5	M12	31.8	12.7	108.0	88.9	31.0	46.7	82.6
210	1-15/16	136926	FB-SCEZ-115-SHCR	4.47	1.94	7.34	1.98	2.75	2.94	1/2	1.63	0.50	5.19	4.31	1.35	2.43	4.00
	2 50mm	@ 136965	FB-SCEZ-200-SHCR FB-SCEZ-50M-SHCR	2.03	49.3	186.4	50.3	69.9	74.7	M12	41.4	12.7	131.8	109.5	34.3	61.7	101.6

FEATURES/BENEFITS PAGE B2-3	HOW TO ORDER/NOMENCLATURE PAGE B2-8	SELECTION/DIMENSIONS PAGE B2-24	ACCESSORIES PAGE B2-77
--------------------------------	--	------------------------------------	---------------------------

SELECTION/DIMENSIONS



E-Z KLEEN Mounted Bearings GTEZ NORMAL DUTY STAINLESS STEEL 4-BOLT FLANGE BEARINGS



Series	Shaft Size	Complete Unit		Unit Without Adapter		Adapter & Nut Assembly	
		Part No.	Description	Part No.	Description	Part No.	Description
204	3/4	129721	F4B-GTEZ-012-SHCR	129567	F4B-GTEZ-04-SHCR	129967	AN-GT-04-012-CR
	20mm	129722	F4B-GTEZ-20M-SHCR			129980	AN-GT-04-20M-CR
205	1	129723	F4B-GTEZ-100-SHCR	129568	F4B-GTEZ-05-SHCR	129968	AN-GT-05-100-CR
	25mm	129724	F4B-GTEZ-25M-SHCR			129981	AN-GT-05-25M-CR
206	1 -1/8	075913	F4B-GTEZ-102-SHCR	129569	F4B-GTEZ-06-SHCR	129969	AN-GT-06-102-CR
	1 -3/16	129725	F4B-GTEZ-103-SHCR			129970	AN-GT-06-103-CR
	1 -1/4	129726	F4B-GTEZ-104S-SHCR			129971	AN-GT-06-104S-CR
	30mm	129727	F4B-GTEZ-30M-SHCR			129982	AN-GT-06-30M-CR
207	1 -1/4	129728	F4B-GTEZ-104-SHCR	129570	F4B-GTEZ-07-SHCR	129972	AN-GT-07-104-CR
	1 -3/8	064993	F4B-GTEZ-106-SHCR			129973	AN-GT-07-106-CR
	1 -7/16	129729	F4B-GTEZ-107-SHCR			129974	AN-GT-07-107-CR
	35mm	129730	F4B-GTEZ-35M-SHCR			129983	AN-GT-07-35M-CR
208	1 -1/2	129731	F4B-GTEZ-108-SHCR	129571	F4B-GTEZ-08-SHCR	129975	AN-GT-08-108-CR
	40mm	129732	F4B-GTEZ-40M-SHCR			129984	AN-GT-08-40M-CR
210	1-15/16	129733	F4B-GTEZ-115-SHCR	129572	F4B-GTEZ-10-SHCR	129978	AN-GT-10-115-CR
	2	062901	F4B-GTEZ-200-SHCR			129979	AN-GT-10-200-CR
	50mm	129734	F4B-GTEZ-50M-SHCR			129986	AN-GT-10-50M-CR

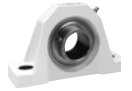
@ Assembled to order

Series	Shaft Size	Weight lbs kg	A	B	C#	D	F Bolt Dia.	H	J	L	Z
204	3/4	1.23	1.48	3.35	1.54	2.51	3/8	0.34	0.66	1.50	1.55
	20mm	0.55	37.6	85.1	39.1	63.6	M10	8.6	16.8	38.1	39.4
205	1	1.69	1.46	3.75	1.57	2.75	3/8	0.37	0.61	1.80	1.58
	25mm	0.73	37.1	95.3	39.9	69.9	M10	9.4	15.5	45.7	40.1
206	1 -1/8	2.41	1.61	4.16	1.75	3.24	3/8	0.37	0.65	2.08	1.78
	1 -3/16										
	1 -1/4										
207	30mm	1.07	40.9	105.7	44.5	82.4	M10	9.4	16.5	52.8	45.2
	1 -1/4	3.42	1.62	4.68	1.80	3.62	1/2	0.42	0.64	2.38	1.86
	1 -3/8										
208	1 -7/16	1.56	41.1	118.9	45.7	92.0	M12	10.7	16.3	60.5	47.2
	35mm										
	1 -1/2	4.21	1.84	5.06	2.01	4.00	1/2	0.43	0.67	2.62	2.02
210	40mm	1.91	46.7	128.5	51.1	101.5	M12	10.9	17.0	66.5	51.3
	1-15/16	5.33	1.86	5.67	2.03	4.37	5/8	0.49	0.70	3.13	2.05
210	2										
	50mm	2.39	47.2	144.0	51.6	111.0	M16	12.4	17.8	79.5	52.1

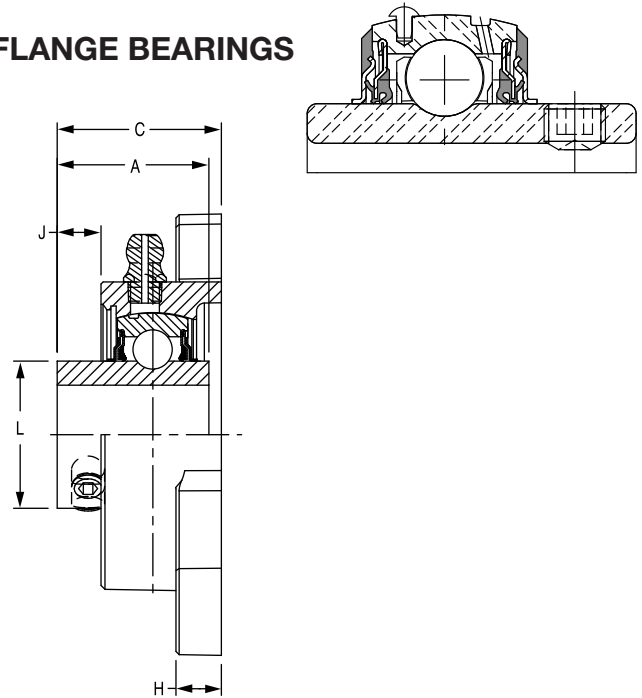
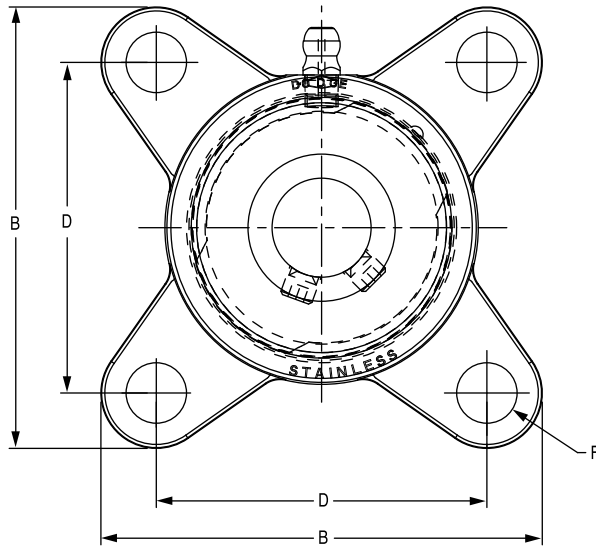
#C dimension will vary slightly depending on true shaft diameter.

FEATURES/BENEFITS PAGE B2-3	HOW TO ORDER/NOMENCLATURE PAGE B2-8	SELECTION/DIMENSIONS PAGE B2-24	ACCESSORIES PAGE B2-77
--------------------------------	--	------------------------------------	---------------------------

SELECTION/DIMENSIONS



E-Z KLEEN Mounted Bearings SCEZ NORMAL DUTY STAINLESS STEEL 4-BOLT FLANGE BEARINGS



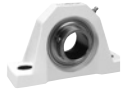
Series	Shaft Size	With Corrosion Resistant Insert		With Insert With Flingers		Weight lbs kg	A	B	C	D	F Bolt Dia.	H	J	L
		Part No.	Description	Part No.	Description									
204	1/2	@	F4B-SCEZ-008L-SHCR*	@	F4B-SCEZ-008L-SH	1.16	1.23	3.35	1.25	2.51	3/8	0.34	0.34	1.12
	5/8	@	F4B-SCEZ-010L-SHCR*	@	F4B-SCEZ-010L-SH	1.12								
	3/4	127689	F4B-SCEZ-012-SHCR	056806	F4B-SCEZ-012-SH	1.08								
	20mm	127709	F4B-SCEZ-20M-SHCR	@	F4B-SCEZ-20M-SH	0.49	31.2	85.1	31.8	63.6	M10	8.6	8.6	28.4
205	7/8	065600	F4B-SCEZ-014-SHCR*	@	F4B-SCEZ-014-SH	1.47	1.34	3.75	1.37	2.75	3/8	0.37	0.38	1.32
	15/16	@	F4B-SCEZ-015-SHCR*	@	F4B-SCEZ-015-SH	1.43								
	1	127690	F4B-SCEZ-100-SHCR	056593	F4B-SCEZ-100-SH	1.39								
	25mm	127710	F4B-SCEZ-25M-SHCR	@	F4B-SCEZ-25M-SH	0.63	34.0	95.3	34.8	69.9	M10	9.4	9.7	33.5
206	1-1/8	@	F4B-SCEZ-102-SHCR*	049477	F4B-SCEZ-102-SH	2.13	1.52	4.16	1.59	3.24	3/8	0.37	0.45	1.57
	1-3/16	127691	F4B-SCEZ-103-SHCR	056807	F4B-SCEZ-103-SH	2.09								
	1-1/4	127692	F4B-SCEZ-104S-SHCR	@	F4B-SCEZ-104S-SH	2.05								
	30mm	127711	F4B-SCEZ-30M-SHCR	@	F4B-SCEZ-30M-SH	0.95	38.6	105.7	40.4	82.4	M10	9.4	11.4	39.9
207	1-1/4	127693	F4B-SCEZ-104-SHCR	056633	F4B-SCEZ-104-SH	2.95	1.71	4.68	1.76	3.62	1/2	0.42	0.55	1.84
	1-3/8	062835	F4B-SCEZ-106-SHCR*	@	F4B-SCEZ-106-SH	2.83								
	1-7/16	127694	F4B-SCEZ-107-SHCR	056808	F4B-SCEZ-107-SH	2.78								
	35mm	127712	F4B-SCEZ-35M-SHCR	@	F4B-SCEZ-35M-SH	1.29	43.4	118.9	44.7	92.0	M12	10.7	14.0	46.7
208	1-1/2	127695	F4B-SCEZ-108-SHCR	056809	F4B-SCEZ-108-SH	3.70	1.94	5.06	1.97	4.00	1/2	0.43	0.62	2.05
	1-5/8	@	F4B-SCEZ-110-SHCR*	062340	F4B-SCEZ-110-SH									
	40mm	127713	F4B-SCEZ-40M-SHCR	@	F4B-SCEZ-40M-SH	1.64	49.3	128.5	50.0	101.5	M12	10.9	15.7	52.1
210	1-11/16	@	F4B-SCMEZ-111-SHCR*	@	F4B-SCMEZ-111-SH	4.64	1.94	5.67	1.98	4.37	5/8	0.49	0.62	2.43
	1-3/4	@	F4B-SCMEZ-112-SHCR*	065945	F4B-SCMEZ-112-SH	4.40								
	1-15/16	127696	F4B-SCEZ-115-SHCR	056810	F4B-SCEZ-115-SH	4.60								
	2	062542	F4B-SCEZ-200-SHCR	@	F4B-SCEZ-200-SH	4.56								
	50mm	127714	F4B-SCEZ-50M-SHCR	@	F4B-SCEZ-50M-SH	2.07	49.3	144.0	50.3	111.0	M16	12.4	15.7	61.7

@ Assembled to order

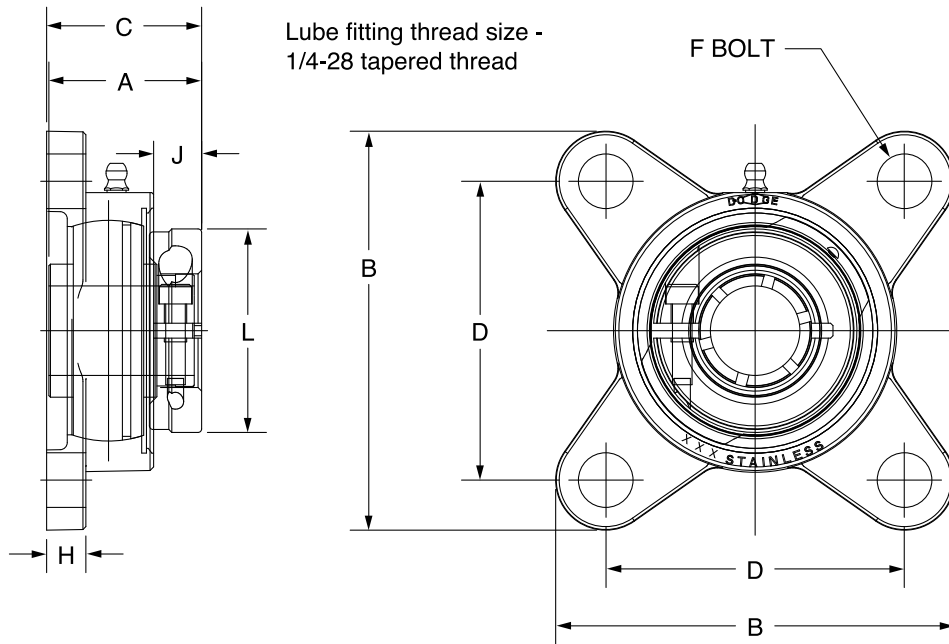
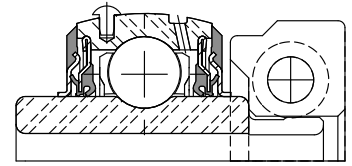
*20 piece minimum

FEATURES/BENEFITS PAGE B2-3	HOW TO ORDER/NOMENCLATURE PAGE B2-8	SELECTION/DIMENSIONS PAGE B2-24	ACCESSORIES PAGE B2-77
--------------------------------	--	------------------------------------	---------------------------

SELECTION/DIMENSIONS



E-Z KLEEN Mounted Bearings DLEZ NORMAL DUTY STAINLESS STEEL 4-BOLT FLANGE BEARINGS



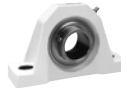
Series	Shaft Size	Part No.	Description	Weight lbs kg	A	B	C	D	F Bolt Dia.	H	J	L
204	3/4	127731	F4B-DLEZ-012-SHCR	1.23	1.28	3.35	1.30	2.51	3/8	0.34	0.41	1.71
	20mm	127751	F4B-DLEZ-20M-SHCR	0.55	32.5	85.1	33.0	63.6	M10	8.6	10.4	43.4
205	7/8	@	F4B-DLEZ-014-SHCR*	1.69	1.44	3.75	1.46	2.75	3/8	0.37	0.48	1.99
	15/16	@	F4B-DLEZ-015-SHCR*	1.65								
	1	127732	F4B-DLEZ-100-SHCR	1.61								
	25mm	127752	F4B-DLEZ-25M-SHCR	0.73	36.6	95.3	37.1	69.9	M10	9.4	12.2	50.5
206	1-1/8	@	F4B-DLEZ-102-SHCR*	2.41	1.56	4.16	1.63	3.24	3/8	0.37	0.50	2.22
	1-3/16	127733	F4B-DLEZ-103-SHCR	2.36								
	1-1/4	127734	F4B-DLEZ-104S-SHCR	2.31								
207	30mm	127753	F4B-DLEZ-30M-SHCR	1.07	39.6	105.7	41.4	82.4	M10	9.4	12.7	56.4
	1-1/4	127735	F4B-DLEZ-104-SHCR	3.42	1.75	4.68	1.80	3.62	1/2	0.42	0.58	2.69
	1-3/8	@	F4B-DLEZ-106-SHCR*	3.29								
	1-7/16	127736	F4B-DLEZ-107-SHCR	3.25								
208	35mm	127754	F4B-DLEZ-35M-SHCR	1.56	44.5	118.9	45.7	92.0	M12	10.7	14.7	68.3
	1-1/2	127737	F4B-DLEZ-108-SHCR	4.21	2.01	5.06	2.05	4.00	1/2	0.43	0.70	2.74
	40mm	127755	F4B-DLEZ-40M-SHCR	1.91	51.1	128.5	52.1	101.5	M12	10.9	17.8	69.6
210	1-11/16	@	F4B-DLEZM-111-SHCR*	5.33	2.01	5.67	2.05	4.37	5/8	0.49	0.70	3.24
	1-15/16	127738	F4B-DLEZ-115-SHCR	5.28								
	50mm	127756	F4B-DLEZ-50M-SHCR	2.39	51.1	144.0	52.1	111.0	M16	12.4	17.8	82.3

@ Assembled to order

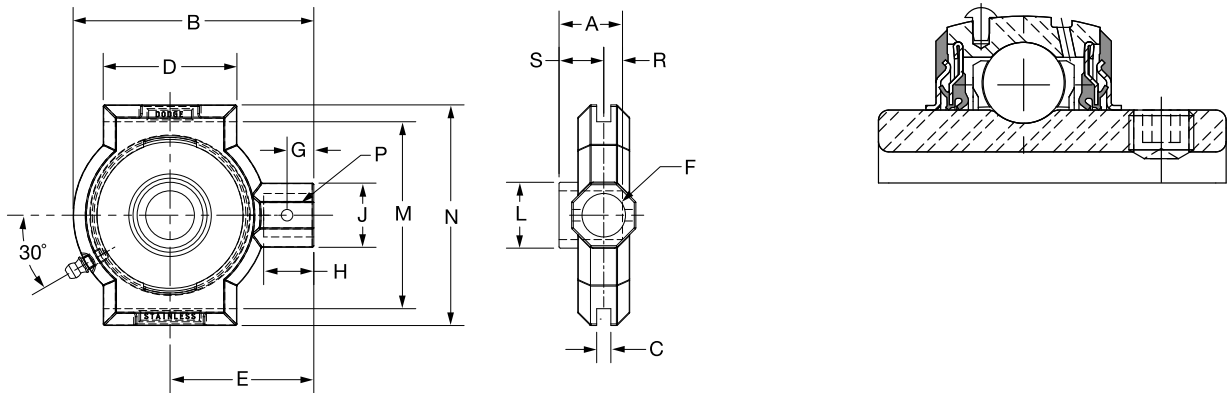
*20 piece minimum

FEATURES/BENEFITS PAGE B2-3	HOW TO ORDER/NOMENCLATURE PAGE B2-8	SELECTION/DIMENSIONS PAGE B2-24	ACCESSORIES PAGE B2-77
--------------------------------	--	------------------------------------	---------------------------

SELECTION/DIMENSIONS



E-Z KLEEN Mounted Bearings SCEZ SHCR NORMAL DUTY STAINLESS STEEL NARROW SLOT TAKE-UP BEARINGS



Series	Shaft Size	Standard		Weight lbs. kgs.	Take-Up Frame No. Ref.	A	B	C	D	E
		Part No.	Description							
204	3/4	136939	NSTU-SCEZ-012-SHCR	1.16	NS210	1.23	3.49	0.265	1.50	2.19
	20mm	136974	NSTU-SCEZ-20M-SHCR	.53		31.2	88.6	6.73	38.1	55.6
205	1	136940	NSTU-SCEZ-100-SHCR	1.06	NS210	1.34	3.49	0.265	1.50	2.19
	25mm	136975	NSTU-SCEZ-25M-SHCR	.48		34.0	88.6	6.73	38.1	55.6
206	1-3/16	136941	NSTU-SCEZ-103-SHCR	2.51	NS308	1.52	4.50	0.265	2.50	2.69
	1-1/4	136942	NSTU-SCEZ-104S-SHCR	1.14		38.6	114.3	6.73	63.5	68.3
	30mm	136976	NSTU-SCEZ-30M-SHCR							
207	1-1/4	136943	NSTU-SCEZ-104-SHCR	2.42	NS308	1.71	4.50	0.265	2.50	2.69
	1-7/16	136944	NSTU-SCEZ-107-SHCR	1.10		43.4	114.3	6.73	63.5	68.3
	35mm	136977	NSTU-SCEZ-35M-SHCR							
208	1-1/2	136945	NSTU-SCEZ-108-SHCR	4.16	NS400	1.94	5.38	0.328	3.00	3.25
	40mm	136978	NSTU-SCEZ-40M-SHCR	1.89		49.3	136.7	8.33	76.2	82.6
210	1-15/16	136946	NSTU-SCEZ-115-SHCR	3.87	NS400	1.94	5.50	0.328	3.00	3.25
	2	136997	NSTU-SCEZ-200-SHCR	1.76		49.3	139.7	8.33	76.2	82.6
	50mm	136979	NSTU-SCEZ-50M-SHCR							

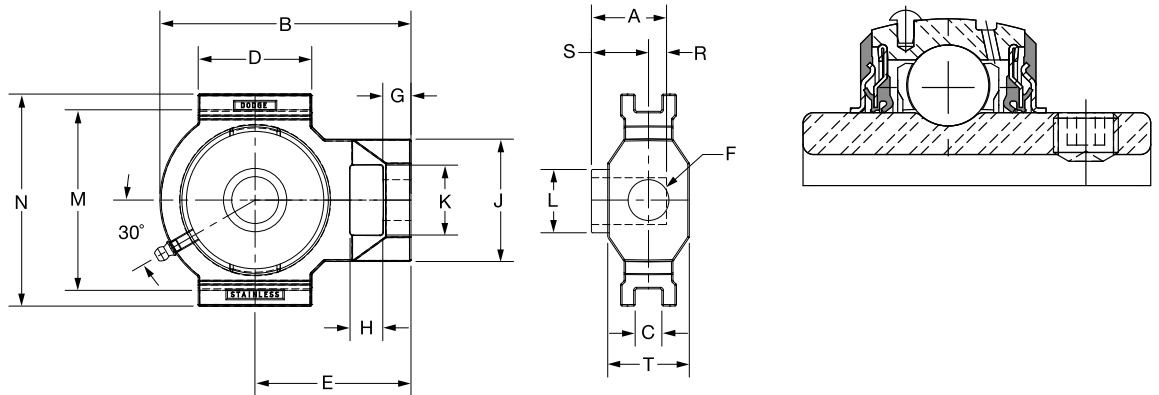
@ Assembled to order

Series	Shaft Size	F Screw Dia	G	H	J	L	M	N	P Pin Dia	R	S
204	3/4	3/4	0.44	0.88	1.20	1.12	2.635/2.605	3.13	0.32	0.50	0.73
	20mm	19.1	11.2	22.4	30.5	28.4	66.93/66.17	79.5	8.1	12.7	18.5
205	1	3/4	0.44	0.88	1.20	1.32	2.635/2.605	3.13	0.32	0.56	0.78
	25mm	19.1	11.2	22.4	30.5	33.5	66.93/66.17	79.5	8.1	14.2	19.8
206	1-3/16	3/4	0.50	0.94	1.20	1.57	3.510/3.480	4.13	0.32	0.58	0.94
	1-1/4	19.1	12.7	23.9	30.5	39.9	89.15/88.39	104.9	8.1	14.7	23.9
207	1-1/4	3/4	0.50	0.94	1.20	1.84	3.510/3.480	4.13	0.32	0.67	1.04
	1-7/16	19.1	12.7	23.8	30.5	46.7	89.15/88.39	104.9	8.1	17.0	26.4
208	1-1/2	1	0.66	1.16	1.50	2.05	4.015/3.985	4.75	0.38	0.75	1.19
	40mm	25.4	16.8	29.5	38.1	52.1	101.98/101.22	120.7	9.7	19.1	30.2
210	1-15/16	1	0.66	1.16	1.50	2.43	4.015/3.985	4.75	0.38	0.75	1.19
	2	25.4	16.8	29.5	38.1	61.7	101.98/101.22	120.7	9.7	19.1	30.2

FEATURES/BENEFITS PAGE B2-3	HOW TO ORDER/NOMENCLATURE PAGE B2-8	SELECTION/DIMENSIONS PAGE B2-24	ACCESSORIES PAGE B2-77
--------------------------------	--	------------------------------------	---------------------------



E-Z KLEEN Mounted Bearings SCEZ SHCR NORMAL DUTY STAINLESS STEEL WIDE SLOT TAKE-UP BEARINGS



Series	Shaft Size	Standard		Weight lbs. kgs.	Take-Up Frame No. Ref.	A	B	C	D	E	
		Part No.	Description								
204	3/4 20mm	136947	WSTU-SCEZ-012-SHCR	2.14	WS300	1.23	3.97	0.530	2.20	2.56	
		136980	WSTU-SCEZ-20M-SHCR	.97		31.2	100.8	13.46	55.9	65.0	
205	1 25mm	136948	WSTU-SCEZ-100-SHCR	2.03	WS300	1.34	3.97	0.530	2.20	2.56	
		136981	WSTU-SCEZ-25M-SHCR	.92		34.0	100.8	13.46	55.9	65.0	
206	1-3/16 1-1/4 30mm	136949	WSTU-SCEZ-103-SHCR	3.31	WS308	1.52	4.99	0.530	2.26	3.10	
		136950	WSTU-SCEZ-104S-SHCR								
		136982	WSTU-SCEZ-30M-SHCR	1.50		38.6	126.7	13.46	57.4	78.7	
207	1-1/4 1-7/16 35mm	136951	WSTU-SCEZ-104-SHCR	3.21	WS308	1.71	4.99	0.530	2.26	3.10	
		136952	WSTU-SCEZ-107-SHCR								
		136983	WSTU-SCEZ-35M-SHCR	1.46		43.4	126.7	13.46	57.4	78.7	
208	1-1/2 40mm	136953	WSTU-SCEZ-108-SHCR	4.60	WS400	1.94	5.63	0.688	3.25	3.50	
		136984	WSTU-SCEZ-40M-SHCR	2.09		49.3	143.0	17.48	82.6	88.9	
210	1-15/16 2 50mm	136954	WSTU-SCEZ-115-SHCR	4.12	WS400	1.94	5.63	0.688	3.25	3.50	
		136998	WSTU-SCEZ-200-SHCR								
		136985	WSTU-SCEZ-50M-SHCR	1.87		49.3	143.0	17.48	82.6	88.9	

@ Assembled to Order

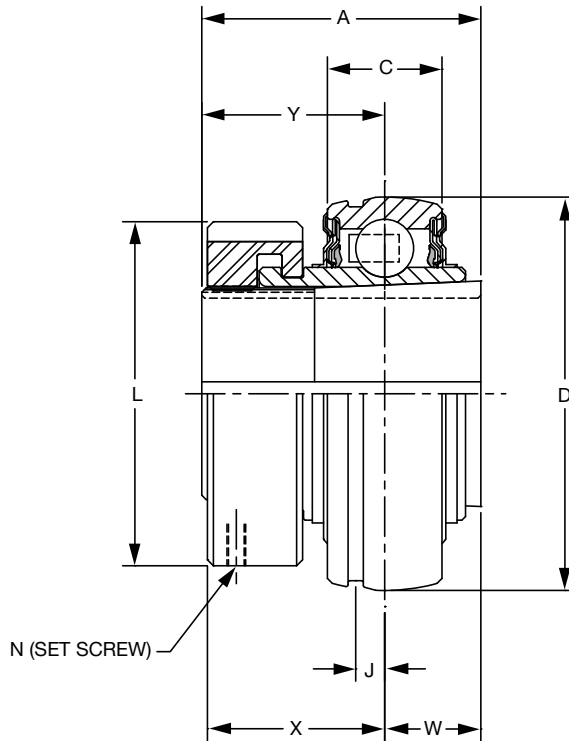
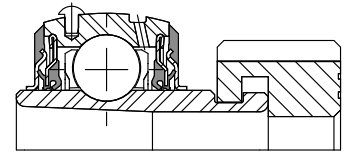
Series	Shaft Size	F Screw Dia	G	H	J	K	L	M	N	R	S	T
204	3/4 20mm	5/8	0.56	0.65	2.12	1.15	1.12	3.025/2.995	3.63	0.50	0.73	1.38
		15.9	14.2	16.5	53.8	29.2	28.4	76.84/76.07	92.2	12.7	18.5	35.1
205	1 25mm	5/8	0.56	0.65	2.12	1.15	1.32	3.025/2.995	3.63	0.56	0.78	1.38
		15.9	14.2	16.5	53.8	29.2	33.5	76.84/76.07	92.2	14.2	19.8	35.1
206	1-3/16 1-1/4 30mm	3/4	0.56	0.65	2.43	1.39	1.57	3.540/3.510	4.20	0.58	0.94	1.62
		19.1	14.2	16.5	61.7	35.3	39.9	89.92/89.15	106.7	14.7	23.9	41.1
207	1-1/4 1-7/16 35mm	3/4	0.56	0.65	2.43	1.39	1.84	3.540/3.510	4.20	0.67	1.04	1.62
		19.1	14.2	16.5	61.7	35.3	46.7	89.92/89.15	106.7	17.0	26.4	41.1
208	1-1/2 40mm	1	0.63	0.75	2.75	1.94	2.05	4.015/3.985	4.50	0.75	1.19	1.62
		25.4	16.0	19.1	69.9	49.3	52.1	101.98/101.22	114.3	19.1	30.2	41.1
210	1-15/16 2 50mm	1	0.63	0.75	2.75	1.94	2.43	4.015/3.985	4.50	0.75	1.19	1.62
		25.4	16.0	19.1	69.9	49.3	61.7	101.98/101.22	114.3	19.1	30.2	41.1

FEATURES/BENEFITS PAGE B2-3	HOW TO ORDER/NOMENCLATURE PAGE B2-8	SELECTION/DIMENSIONS PAGE B2-24	ACCESSORIES PAGE B2-77
--------------------------------	--	------------------------------------	---------------------------

SELECTION/DIMENSIONS



E-Z KLEEN Mounted Bearings GT NORMAL DUTY BEARING INSERTS FOR E-Z KLEEN BEARINGS

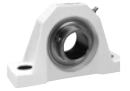


Series	Shaft Size	Complete Unit		Unit Without Adapter		Adapter & Nut Assembly	
		Part No.	Description	Part No.	Description	Part No.	Description
204	3/4 20mm	129825	INS-GT-012-CR	129579	INS-GT-04-CR	129967	AN-GT-04-012-CR
		129826	INS-GT-20M-CR			129980	AN-GT-04-20M-CR
205	1 25mm	129827	INS-GT-100-CR	129580	INS-GT-05-CR	129968	AN-GT-05-100-CR
		129828	INS-GT-25M-CR			129981	AN-GT-05-25M-CR
206	1-1/8 1-3/16 1-1/4 30mm	081320	INS-GT-102-CR	129581	INS-GT-06-CR	129969	AN-GT-06-102-CR
		129829	INS-GT-103-CR			129970	AN-GT-06-103-CR
		129830	INS-GT-104S-CR			129971	AN-GT-06-104S-CR
		129831	INS-GT-30M-CR			129982	AN-GT-06-30M-CR
207	1-1/4 1-3/8 1-7/16 35mm	129832	INS-GT-104-CR	129582	INS-GT-07-CR	129972	AN-GT-07-104-CR
		079484	INS-GT-106-CR			129973	AN-GT-07-106-CR
		129833	INS-GT-107-CR			129974	AN-GT-07-107-CR
		129834	INS-GT-35M-CR			129983	AN-GT-07-35M-CR
208	1-1/2 40mm	129835	INS-GT-108-CR	129583	INS-GT-08-CR	129975	AN-GT-08-108-CR
		129836	INS-GT-40M-CR			129984	AN-GT-08-40M-CR
209	1-11/16 1-3/4 45mm	129837	INS-GT-111-CR	129584	INS-GT-09-CR	129976	AN-GT-09-111-CR
		139744	INS-GT-112-CR			129977	AN-GT-09-112-CR
		129838	INS-GT-45M-CR			129985	AN-GT-09-45M-CR
210	1-15/16 2 50mm	129839	INS-GT-115-CR	129585	INS-GT-10-CR	129978	AN-GT-10-115-CR
		078403	INS-GT-200-CR			129979	AN-GT-10-200-CR
		129840	INS-GT-50M-CR			129986	AN-GT-10-50M-CR

@ Assembled to order.

FEATURES/BENEFITS PAGE B2-3	HOW TO ORDER/NOMENCLATURE PAGE B2-8	SELECTION/DIMENSIONS PAGE B2-24	ACCESSORIES PAGE B2-77
--------------------------------	--	------------------------------------	---------------------------

SELECTION/DIMENSIONS



E-Z KLEEN Mounted Bearings GT NORMAL DUTY BEARING INSERTS FOR E-Z KLEEN BEARINGS

Bearing Reference Guide

ULTRA KLEEN

E-Z KLEEN

Extreme Duty

Setscrew Ball Bearing

GRIP TIGHT

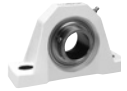
D-LOK Ball Bearing

Series	Shaft Size	Weight lbs kg	A	C	D	J	L	N Screw (UNF)	W#	X	Y#
204	3/4	0.6	1.48	0.58	1.8504	0.15	1.50	#10-32 x 1/4	0.46	1.03	1.02
	20mm	0.3	37.6	14.7	47.000	3.8	38.1		11.7	26.2	25.9
205	1	0.8	1.46	0.59	2.0472	0.16	1.80	#10-32 x 1/4	0.48	1.00	0.98
	25mm	0.4	37.1	15.0	52.000	4.1	45.7		12.2	25.4	24.9
206	1-1/8	1.2	1.61	0.69	2.4409	0.16	2.08	#10-32 x 1/4	0.52	1.13	1.09
	1-3/16										
	1-1/4										
	30mm	0.6	40.9	17.5	62.000	4.1	52.8		13.2	28.7	27.7
207	1-1/4	1.8	1.62	0.75	2.8346	0.20	2.38	#10-32 x 1/4	0.54	1.14	1.08
	1-3/8										
	1-7/16										
	35mm	0.8	41.1	19.1	72.000	5.1	60.5		13.7	29.0	27.4
208	1-1/2	2.2	1.84	0.87	3.1496	0.22	2.62	#10-32 x 1/4	0.61	1.23	1.23
	40mm	1.0	46.7	22.1	80.000	5.6	66.5		15.5	31.2	31.2
209	1-11/16	2.5	1.85	0.87	3.3465	0.25	2.86	#10-32 x 1/4	0.62	1.26	1.23
	1-3/4		47.0	22.1	85.000	6.4	72.6		15.7	32.0	31.2
	45mm										
210	1-15/16	3.0	1.86	0.87	3.5433	0.25	3.13	#10-32 x 1/4	0.63	1.26	1.23
	2										
	50mm	1.4	47.2	22.1	90.000	6.4	79.5		16.0	32.0	31.2

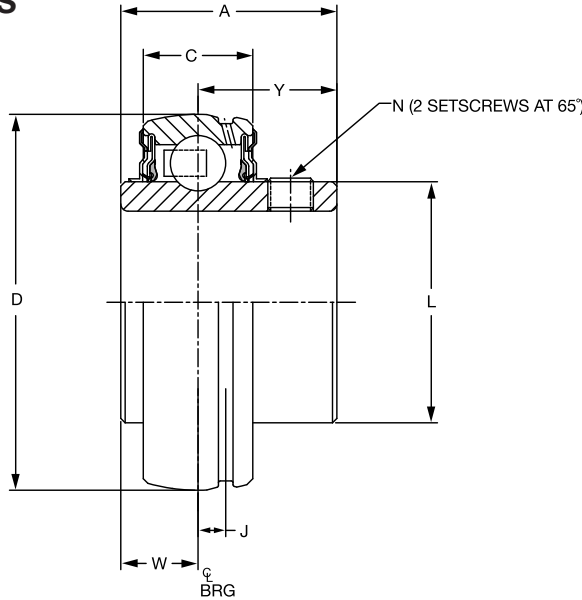
#W & Y dimensions will vary slightly depending on true shaft diameter.

FEATURES/BENEFITS PAGE B2-3	HOW TO ORDER/NOMENCLATURE PAGE B2-8	SELECTION/DIMENSIONS PAGE B2-24	ACCESSORIES PAGE B2-77
--------------------------------	--	------------------------------------	---------------------------

SELECTION/DIMENSIONS



E-Z KLEEN Mounted Bearings SC NORMAL DUTY BEARING CORROSION RESISTANT INSERTS FOR E-Z KLEEN BEARINGS

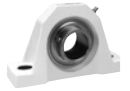


Series	Shaft Size	Insert with Flingers		Corrosion Resistant Insert		Weight lbs kg	A	C	D	J	L	N	W	Y
		Part No.	Description	Part No.	Description									
204	1/2	@	INS-SC-008L-FF	052981	INS-SC-008L-CR*	.38	1.23	0.58	1.8504	0.15	1.12	10-32	0.50	0.73
	5/8	124932	INS-SC-010L-FF	127073	INS-SC-010L-CR*	.35								
	3/4	123070	INS-SC-012-FF	045600	INS-SC-012-CR	.32								
	20mm	050524	INS-SC-20M-FF	125873	INS-SC-20M-CR	.16	31.2	14.7	47.000	3.8	28.4	M6x1	12.7	18.5
205	7/8	124931	INS-SC-014-FF	058665	INS-SC-014-CR*	.43	1.34	0.59	2.0472	0.16	1.32	1/4-28	0.56	0.78
	15/16	123069	INS-SC-015-FF	@	INS-SC-015-CR*	.40								
	1	123071	INS-SC-100-FF	045601	INS-SC-100-CR	.37								
	25mm	052620	INS-SC-25M-FF	050580	INS-SC-25M-CR	.18	34.0	15.0	52.000	4.1	33.5	M6x1	14.2	19.8
206	1-1/8	123234	INS-SC-102-FF	058989	INS-SC-102-CR*	.63	1.52	0.69	2.4409	0.16	1.57	5/16-24	0.58	0.94
	1-3/16	123072	INS-SC-103-FF	045602	INS-SC-103-CR	.60								
	1-1/4	123073	INS-SC-104S-FF	045603	INS-SC-104S-CR	.58								
	30mm	052621	INS-SC-30M-FF	125874	INS-SC-30M-CR	.27	38.6	17.5	62.000	4.1	39.9	M8x1.25	14.7	23.9
207	1-1/4	123074	INS-SC-104-FF	045412	INS-SC-104-CR	1.02	1.71	0.75	2.8346	0.20	1.84	5/16-24	0.67	1.04
	1-5/16	057102	INS-SC-105-FF	058345	INS-SC-105-CR*	.97								
	1-3/8	123460	INS-SC-106-FF	058965	INS-SC-106-CR*	.92								
	1-7/16	123075	INS-SC-107-FF	045604	INS-SC-107-CR	.86								
	35mm	052622	INS-SC-35M-FF	050653	INS-SC-35M-CR	.44	43.4	19.1	72.000	5.1	46.7	M8x1.25	17.0	26.4
208	1-1/2	123076	INS-SC-108-FF	045605	INS-SC-108-CR	1.27	1.94	0.87	3.1496	0.22	2.05	5/16-24	0.75	1.19
	1-5/8	123409	INS-SC-110-FF	@	INS-SC-110-CR*	1.13								
	40mm	052623	INS-SC-40M-FF	050654	INS-SC-40M-CR	.51	49.3	22.1	80.000	5.6	52.1	M8x1.25	19.1	30.2
209	1-5/8	@	INS-SC-110L-FF	@	INS-SC-110L-CR*	1.49	1.94	0.87	3.3465	0.25	2.22	5/16-24	0.75	1.19
	1-11/16	@	INS-SC-111-FF	125004	INS-SC-111-CR	1.43								
	1-3/4	045677	INS-SC-112-FF	054145	INS-SC-112-CR*	1.36								
	45mm	@	INS-SC-45M-FF	125005	INS-SC-45M-CR	.62	49.3	22.1	85.000	6.4	56.4	M8x1.25	19.1	30.2
210	1-11/16	@	INS-SCM-111-FF	@	INS-SCM-111-CR*	1.82	1.94	0.87	3.5433	0.25	2.43	3/8-24	0.75	1.19
	1-15/16	123077	INS-SC-115-FF	045606	INS-SC-115-CR	1.48								
	2	123413	INS-SC-200-FF	045338	INS-SC-200-CR*	1.39								
	50mm	@	INS-SC-50M-FF	050656	INS-SC-50M-CR	.67	49.3	22.1	90.000	6.4	61.7	M10x1.5	19.1	30.2

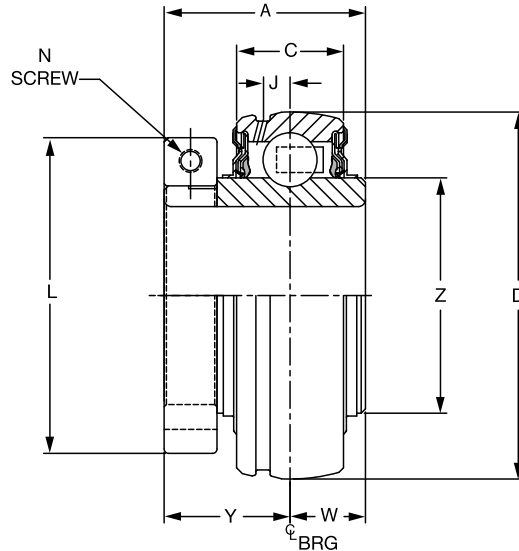
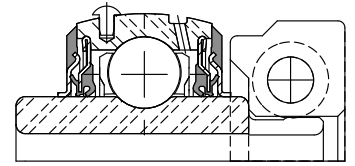
@ Assembled to order * 20 piece minimum

FEATURES/BENEFITS PAGE B2-3	HOW TO ORDER/NOMENCLATURE PAGE B2-8	SELECTION/DIMENSIONS PAGE B2-24	ACCESSORIES PAGE B2-77
--------------------------------	--	------------------------------------	---------------------------

SELECTION/DIMENSIONS



E-Z KLEEN Mounted Bearings DL NORMAL DUTY BEARING CORROSION RESISTANT INSERTS FOR E-Z KLEEN BEARINGS



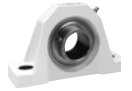
Series	Shaft Size	Insert with Flingers		Corrosion Resistant Insert		Weight lbs kg	A	C	D	J	L	N	W	Y	Z
		Part No.	Description	Part No.	Description										
204	3/4	128646	INS-DL-012	126685	INS-DL-012-CR	0.6	1.28	0.58	1.8504	0.15	1.71	#8-32	0.50	0.78	1.12
	20mm	126629	INS-DL-20M	126693	INS-DL-20M-CR	0.3	32.5	14.7	47.000	3.8	43.4	M4x6	12.7	19.8	28.4
205	7/8	128684	INS-DL-014	@	INS-DL-014-CR*	0.8	1.44	0.59	2.0472	0.16	1.99	#10-32	0.56	0.88	1.32
	15/16	128647	INS-DL-015	@	INS-DL-015-CR*	0.8									
	1	128648	INS-DL-100	126686	INS-DL-100-CR	0.8									
	25mm	126630	INS-DL-25M	126694	INS-DL-25M-CR	0.4	36.6	15.0	52.000	4.1	50.5	M5x20	14.2	22.4	33.5
206	1-1/8	128649	INS-DL-102	059869	INS-DL-102-CR*	1.2	1.56	0.69	2.4409	0.16	2.22	#10-32	0.58	0.98	1.57
	1-3/16	128650	INS-DL-103	126687	INS-DL-103-CR	1.2									
	1-1/4	128651	INS-DL-104S	126688	INS-DL-104S-CR	1.1									
	30mm	126631	INS-DL-30M	126695	INS-DL-30M-CR	0.6	39.6	17.5	62.000	4.1	56.4	M5x20	14.7	24.9	39.9
207	1-1/4	128652	INS-DL-104	126689	INS-DL-104-CR	1.8	1.75	0.75	2.8346	0.20	2.69	1/4-28	0.67	1.08	1.84
	1-3/8	128653	INS-DL-106	@	INS-DL-106-CR*	1.8									
	1-7/16	128654	INS-DL-107	052093	INS-DL-107-CR	1.7									
	35mm	126632	INS-DL-35M	126696	INS-DL-35M-CR	0.8	44.5	19.1	72.000	5.1	68.3	M6x20	17.0	27.4	46.7
208	1-1/2	128655	INS-DL-108	126690	INS-DL-108-CR	2.2	2.01	0.87	3.1496	0.22	2.74	1/4-28	0.75	1.26	2.05
	40mm	126633	INS-DL-40M	126697	INS-DL-40M-CR	1.0	51.1	22.1	80.000	5.6	69.6	M6x20	19.1	32.0	52.1
209	1-5/8	128656	INS-DL-110L	@	INS-DL-110L-CR*	2.5	2.01	0.87	3.3465	0.25	2.99	1/4-28	0.75	1.26	2.22
	1-11/16	128657	INS-DL-111	126691	INS-DL-111-CR	2.5									
	1-3/4	128658	INS-DL-112	@	INS-DL-112-CR*	2.5									
	45mm	126634	INS-DL-45M	126698	INS-DL-45M-CR	1.2	51.1	22.1	85.000	6.4	75.9	M6x20	19.1	32.0	56.4
210	1-11/16	128672	INS-DLM-111	@	INS-DLM-111-CR	3.0	2.01	0.87	3.5433	0.25	3.24	1/4-28	0.75	1.26	2.43
	1-15/16	128659	INS-DL-115	126692	INS-DL-115-CR	3.0									
	2	128660	INS-DL-200	053986	INS-DL-200-CR*	3.0									
	50mm	126635	INS-DL-50M	126699	INS-DL-50M-CR	1.4	51.1	22.1	90.000	6.4	82.3	M6x20	19.1	32.0	61.7

@ Assembled to order

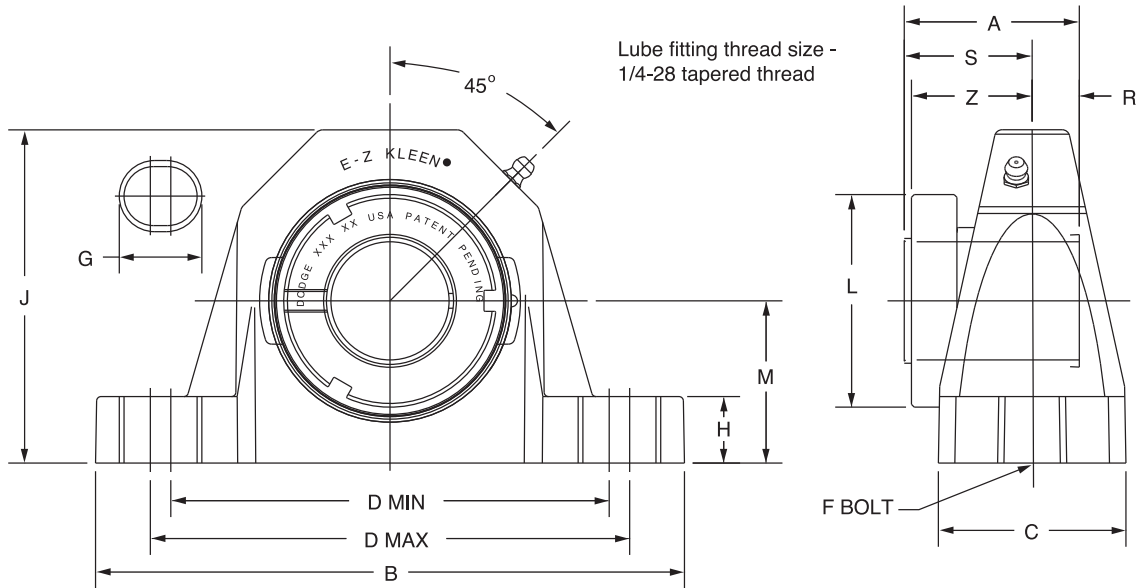
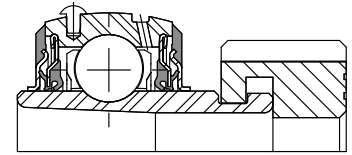
* 20 piece minimum

FEATURES/BENEFITS PAGE B2-3	HOW TO ORDER/NOMENCLATURE PAGE B2-8	SELECTION/DIMENSIONS PAGE B2-24	ACCESSORIES PAGE B2-77
--------------------------------	--	------------------------------------	---------------------------

SELECTION/DIMENSIONS



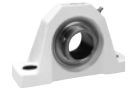
E-Z KLEEN Mounted Bearings GTEZ NORMAL DUTY POLYMER HOUSED PILLOW BLOCKS



Series	Shaft Size	Complete Unit		Unit without Adapter		Adapter & Nut Assembly	
		Part No.	Description	Part No.	Description	Part No.	Description
204	3/4 20mm	129244	P2B-GTEZ-012-PCR	129530	P2B-GTEZ-04-PCR	129967	AN-GT-04-012-CR
		129245	P2B-GTEZ-20M-PCR			129980	AN-GT-04-20M-CR
205	1 25mm	129246	P2B-GTEZ-100-PCR	129531	P2B-GTEZ-05-PCR	129968	AN-GT-05-100-CR
		129247	P2B-GTEZ-25M-PCR			129981	AN-GT-05-25M-CR
206 (GTU)	1-1/8	@	P2B-GTUEZ-102-PCR	129536	P2B-GTUEZ-06-PCR	129969	AN-GT-06-102-CR
	1-3/16	129248	P2B-GTUEZ-103-PCR			129602	AN-GT-06-103-CR
	1-1/4	129249	P2B-GTUEZ-104S-PCR			129603	AN-GT-06-104S-CR
	30mm	129250	P2B-GTUEZ-30M-PCR			129611	AN-GT-06-30M-CR
207	1-1/4	129251	P2B-GTEZ-104-PCR	129532	P2B-GTEZ-07-PCR	129972	AN-GT-07-104-CR
	1-3/8	129392	P2B-GTEZ-106-PCR			129973	AN-GT-07-106-CR
	1-7/16	129252	P2B-GTEZ-107-PCR			129974	AN-GT-07-107-CR
	35mm	129253	P2B-GTEZ-35M-PCR			129983	AN-GT-07-35M-CR
208 (GTB)	1-1/2 40mm	129254	P2B-GTBEZ-108-PCR	129535	P2B-GTBEZ-08-PCR	129606	AN-GT-08-108-CR
		129255	P2B-GTBEZ-40M-PCR			129613	AN-GT-08-40M-CR
209	1-11/16	129256	P2B-GTEZ-111-PCR	129533	P2B-GTEZ-09-PCR	129976	AN-GT-09-111-CR
	1-3/4	129396	P2B-GTEZ-112-PCR			129977	AN-GT-09-112-CR
	45mm	129257	P2B-GTEZ-45M-PCR			129985	AN-GT-09-45M-CR
210	1-15/16	129258	P2B-GTEZ-115-PCR	129534	P2B-GTEZ-10-PCR	129978	AN-GT-10-115-CR
	2 50mm	129393	P2B-GTEZ-200-PCR			129979	AN-GT-10-200-CR
		129259	P2B-GTEZ-50M-PCR			129986	AN-GT-10-50M-CR

FEATURES/BENEFITS PAGE B2-3	HOW TO ORDER/NOMENCLATURE PAGE B2-8	SELECTION/DIMENSIONS PAGE B2-24	ACCESSORIES PAGE B2-77
--------------------------------	--	------------------------------------	---------------------------

SELECTION/DIMENSIONS



E-Z KLEEN Mounted Bearings GTEZ NORMAL DUTY POLYMER HOUSED PILLOW BLOCKS

Bearing Reference Guide

ULTRA KLEEN

E-Z KLEEN

Extreme Duty

Setscrew Ball Bearing

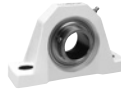
GRIP TIGHT

D-LOK Ball Bearing

Series	Shaft Size	Weight lbs kg	A	B	C	D		F Bolt Dia.	G	H	J	L	M	R#	S#	Z
						min.	max.									
204	3/4	0.9	1.48	5.02	1.48	3.66	3.92	3/8	0.59	0.61	2.63	1.50	1.31	0.46	1.02	1.03
	20mm	0.4	37.6	127.5	37.6	93.0	99.6	M10	15.0	15.5	66.8	38.1	33.4	11.7	25.9	26.2
205	1	1.1	1.46	5.48	1.48	3.96	4.20	3/8	0.59	0.61	2.86	1.80	1.44	0.48	0.98	1.00
	25mm	0.5	37.1	139.2	37.6	100.6	106.7	M10	15.0	15.5	72.6	45.7	36.5	12.2	24.9	25.4
206 (GTU)	1-1/8	1.8	1.61	6.30	1.77	4.60	4.88	1/2	0.73	0.70	3.34	2.08	1.69	0.52	1.09	1.13
	1-3/16	1.7														
	1-1/4	1.6														
	30mm	0.8	40.9	160.0	45.0	116.8	124.0	M12	18.5	17.8	84.8	52.8	42.9	13.2	27.7	28.7
207	1-1/4	2.5	1.62	6.54	1.86	4.80	5.12	1/2	0.73	0.72	3.89	2.38	1.88	0.54	1.08	1.14
	1-3/8	2.4														
	1-7/16	2.4														
	35mm	1.1	41.1	166.1	47.2	121.9	130.0	M12	18.5	18.3	98.8	60.5	47.6	13.7	27.4	29.0
208 (GTB)	1-1/2	3.0	1.84	7.19	2.10	5.10	5.64	1/2	0.88	0.76	4.16	2.62	1.94	0.61	1.23	1.23
	40mm	1.4	46.7	182.6	53.3	129.5	143.3	M12	22.4	19.3	105.7	66.5	49.2	15.5	31.2	31.2
209	1-11/16	3.4	1.85	7.20	2.10	5.42	5.96	1/2	0.88	0.84	4.31	2.86	2.13	0.62	1.23	1.26
	1-3/4	3.3														
	45mm	1.6	47.0	182.9	53.3	137.7	151.4	M12	22.4	21.3	109.5	72.6	54.0	15.7	31.2	32.0
210	1-15/16	4.2	1.86	8.06	2.36	6.00	6.56	5/8	1.00	0.91	4.56	3.13	2.25	0.63	1.23	1.26
	2	4.1														
	50mm	1.7	47.2	204.7	59.9	152.4	166.6	M16	25.4	23.1	115.8	79.5	57.2	16.0	31.2	32.0

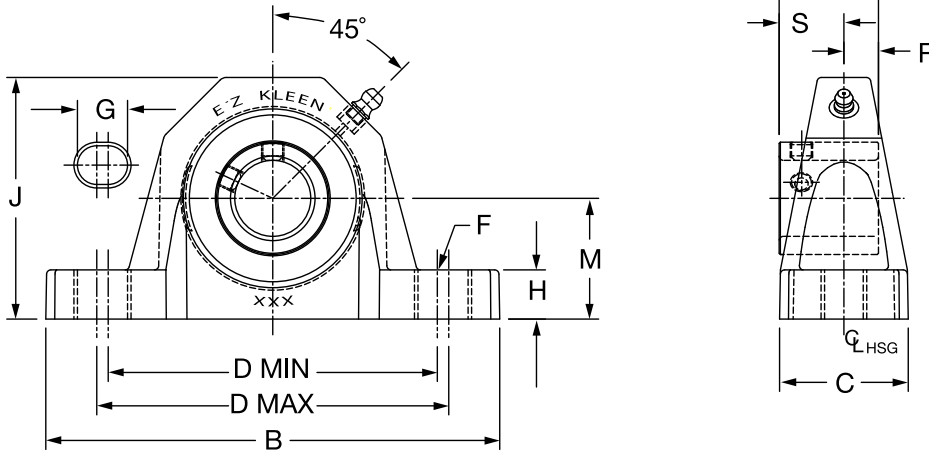
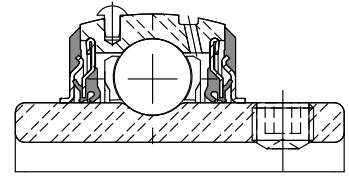
#R & S dimensions will vary slightly depending on true shaft Diameter

FEATURES/BENEFITS PAGE B2-3	HOW TO ORDER/NOMENCLATURE PAGE B2-8	SELECTION/DIMENSIONS PAGE B2-24	ACCESSORIES PAGE B2-77
--------------------------------	--	------------------------------------	---------------------------



SELECTION/DIMENSIONS

E-Z KLEEN Mounted Bearings SCEZ NORMAL DUTY POLYMER HOUSED PILLOW BLOCKS



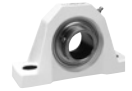
Series	Shaft Size	With Corrosion Resistant Insert		Standard Insert With Fingers	
		Part No.	Description	Part No.	Description
204	1/2	@	P2B-SCEZ-008L-PCR*	@	P2B-SCEZ-008L-P
	5/8	068322	P2B-SCEZ-010L-PCR*	064572	P2B-SCEZ-010L-P
	3/4	127500	P2B-SCEZ-012-PCR	@	P2B-SCEZ-012-P
	20mm	127545	P2B-SCEZ-20M-PCR	@	P2B-SCEZ-20M-P
205	7/8	064839	P2B-SCEZ-014-PCR*	062837	P2B-SCEZ-014-P
	15/16	058975	P2B-SCEZ-015-PCR*	@	P2B-SCEZ-015-P
	1	127501	P2B-SCEZ-100-PCR	058597	P2B-SCEZ-100-P
	25mm	127546	P2B-SCEZ-25M-PCR	@	P2B-SCEZ-25M-P
206	1-1/8	075096	P2B-SCUEZ-102-PCR*	067919	P2B-SCUEZ-102-P
	1-3/16	127502	P2B-SCUEZ-103-PCR	@	P2B-SCUEZ-103-P
	1-1/4	127503	P2B-SCUEZ-104S-PCR	058596	P2B-SCUEZ-104S-P
	30mm	127547	P2B-SCUEZ-30M-PCR	@	P2B-SCUEZ-30M-P
207	1-1/4	127504	P2B-SCEZ-104-PCR	065655	P2B-SCEZ-104-P
	1-5/16	059722	P2B-SCEZ-105-PCR*	@	P2B-SCEZ-105-P
	1-3/8	058944	P2B-SCEZ-106-PCR*	@	P2B-SCEZ-106-P
	1-7/16	127505	P2B-SCEZ-107-PCR	064064	P2B-SCEZ-107-P
208	35mm	127548	P2B-SCEZ-35M-PCR	@	P2B-SCEZ-35M-P
	1-1/2	127506	P2B-SCBEZ-108-PCR	@	P2B-SCBEZ-108-P
	1-5/8	068495	P2B-SCBEZ-110-PCR*	@	P2B-SCBEZ-110-P
	40mm	127549	P2B-SCBEZ-40M-PCR	@	P2B-SCBEZ-40M-P
209	1-5/8	@	P2B-SCBEZ-110L-PCR*	@	P2B-SCBEZ-110L-P
	1-11/16	127507	P2B-SCEZ-111-PCR	067996	P2B-SCEZ-111-P
	1-3/4	058931	P2B-SCEZ-112-PCR	@	P2B-SCEZ-112-P
	45mm	127550	P2B-SCEZ-45M-PCR	@	P2B-SCEZ-45M-P
210	1-15/16	127508	P2B-SCEZ-115-PCR	056497	P2B-SCEZ-115-P
	2	057898	P2B-SCEZ-200-PCR	@	P2B-SCEZ-200-P
	50mm	127551	P2B-SCEZ-50M-PCR	@	P2B-SCEZ-50M-P

@ Assembled to order

* 20 piece minimum

FEATURES/BENEFITS PAGE B2-3	HOW TO ORDER/NOMENCLATURE PAGE B2-8	SELECTION/DIMENSIONS PAGE B2-24	ACCESSORIES PAGE B2-77
--------------------------------	--	------------------------------------	---------------------------

SELECTION/DIMENSIONS



E-Z KLEEN Mounted Bearings SCEZ NORMAL DUTY POLYMER HOUSED PILLOW BLOCKS

Bearing Reference Guide

ULTRA KLEEN

E-Z KLEEN

Extreme Duty

Setscrew Ball Bearing

GRIP TIGHT

D-LOK Ball Bearing

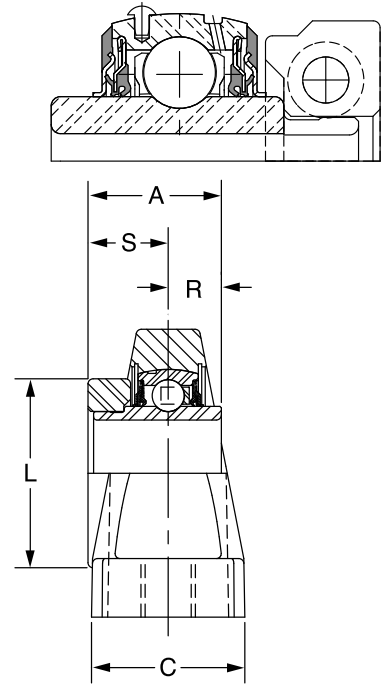
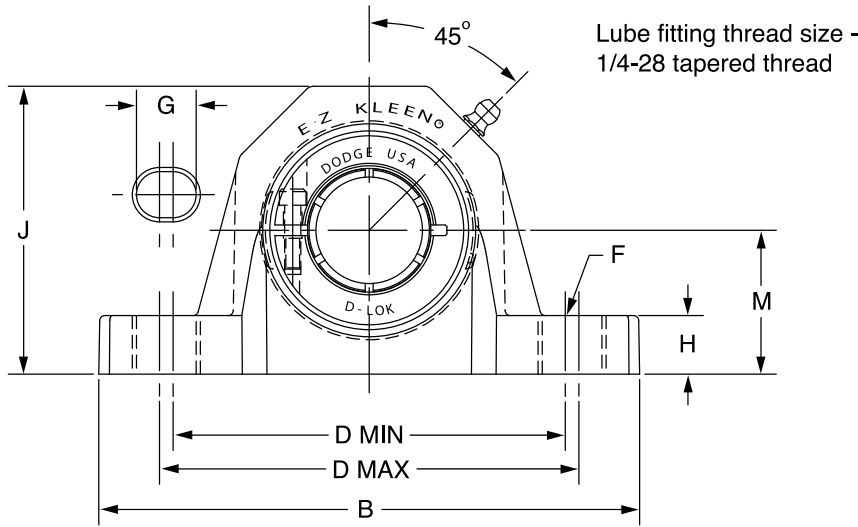
Size	Shaft Series	Weight lbs kg	A	B	C	D		F Bolt Dia.	G	H	J	L	M	R	S
						min.	max.								
204	1/2	0.68	1.23	5.02	1.48	3.66	3.92	3/8	0.59	0.61	2.63	1.12	1.31	0.50	0.73
	5/8	0.66													
	3/4	0.64													
	20mm	0.30	31.2	127.5	37.6	93.0	99.6	M10	15.0	15.5	66.8	28.4	33.4	12.7	18.5
205	7/8	0.73	1.34	5.48	1.48	3.96	4.20	3/8	0.59	0.61	2.86	1.32	1.44	0.56	0.78
	15/16	0.71													
	1	0.69													
	25mm	0.32	34.0	139.2	37.6	100.6	106.7	M10	15.0	15.5	72.6	33.5	36.5	14.2	19.8
206	1-1/8	1.15	1.52	6.30	1.77	4.60	4.88	1/2	0.73	0.70	3.34	1.57	1.69	0.58	0.94
	1-3/16	1.13													
	1-1/4	1.11													
	30mm	0.51	38.6	160.0	45.0	116.8	124.0	M12	18.5	17.8	84.8	39.9	42.9	14.7	23.9
207	1-1/4	1.68	1.71	6.54	1.86	4.80	5.12	1/2	0.73	0.72	3.89	1.84	1.88	0.67	1.04
	1-5/16	1.63													
	1-3/8	1.58													
	35mm	0.74	43.4	166.1	47.2	121.9	130.0	M12	18.5	18.3	98.8	46.7	47.6	17.0	26.4
208	1-1/2	2.08	1.94	7.19	2.10	5.10	5.64	1/2	0.88	0.76	4.16	2.05	1.94	0.75	1.19
	1-5/8	2.00													
	40mm	0.88	49.3	182.6	53.3	129.5	143.3	M12	22.4	19.3	105.7	52.1	49.2	19.1	30.2
209	1-5/8	2.41	1.94	7.20	2.10	5.42	5.96	1/2	0.88	0.84	4.31	2.22	2.13	0.75	1.19
	1-11/16	2.34													
	45mm	1.03	49.3	182.9	53.3	137.7	151.4	M12	22.4	21.3	109.5	56.4	54.0	19.1	30.2
210	1-15/16	2.65	1.94	8.06	2.36	6.00	6.56	5/8	1.00	0.91	4.56	2.43	2.25	0.75	1.19
	50mm	1.30	49.3	204.7	59.9	152.4	166.6	M16	25.4	23.1	115.8	61.7	57.2	19.1	30.2

FEATURES/BENEFITS PAGE B2-3	HOW TO ORDER/NOMENCLATURE PAGE B2-8	SELECTION/DIMENSIONS PAGE B2-24	ACCESSORIES PAGE B2-77
--------------------------------	--	------------------------------------	---------------------------

SELECTION/DIMENSIONS



E-Z KLEEN Mounted Bearings DLEZ NORMAL DUTY POLYMER HOUSED PILLOW BLOCKS



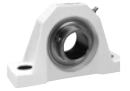
Series	Shaft Size	With Corrosion Resistant Insert		Standard Insert With Fingers	
		Part No.	Description	Part No.	Description
204	3/4	127578	P2B-DLEZ-012-PCR	@	P2B-DLEZ-012-P
	20mm	127623	P2B-DLEZ-20M-PCR	@	P2B-DLEZ-20M-P
205	7/8	@	P2B-DLEZ-014-PCR*	@	P2B-DLEZ-014-P
	15/16	@	P2B-DLEZ-015-PCR*	@	P2B-DLEZ-015-P
	1	127579	P2B-DLEZ-100-PCR	@	P2B-DLEZ-100-P
	25mm	127624	P2B-DLEZ-25M-PCR	@	P2B-DLEZ-25M-P
206 (DLU)	1-1/8	@	P2B-DLUEZ-102-PCR*	@	P2B-DLUEZ-102-P
	1-3/16	127580	P2B-DLUEZ-103-PCR	@	P2B-DLUEZ-103-P
	1-1/4	127581	P2B-DLUEZ-104S-PCR	@	P2B-DLUEZ-104S-P
207	30mm	127625	P2B-DLUEZ-30M-PCR	@	P2B-DLUEZ-30M-P
	1-1/4	127582	P2B-DLEZ-104-PCR	@	P2B-DLEZ-104-P
	1-3/8	@	P2B-DLEZ-106-PCR*	@	P2B-DLEZ-106-P
	1-7/16	127583	P2B-DLEZ-107-PCR	@	P2B-DLEZ-107-P
208 (DLB)	35mm	127626	P2B-DLEZ-35M-PCR	@	P2B-DLEZ-35M-P
	1-1/2	127584	P2B-DLBEZ-108-PCR	@	P2B-DLBEZ-108-P
209	40mm	127627	P2B-DLBEZ-40M-PCR	@	P2B-DLBEZ-40M-P
	1-5/8	057442	P2B-DLEZ-110L-PCR*	@	P2B-DLEZ-110L-P
	1-11/16	127585	P2B-DLEZ-111-PCR	@	P2B-DLEZ-111-P
	1-3/4	062875	P2B-DLEZ-112-PCR*	@	P2B-DLEZ-112-P
210	45mm	127628	P2B-DLEZ-45M-PCR	@	P2B-DLEZ-45M-P
	1-15/16	127586	P2B-DLEZ-115-PCR	@	P2B-DLEZ-115-P
	2	058516	P2B-DLEZ-200-PCR	@	P2B-DLEZ-200-P
	50mm	127629	P2B-DLEZ-50M-PCR	@	P2B-DLEZ-50M-P

@ Assembled to order

* 20 piece minimum

FEATURES/BENEFITS PAGE B2-3	HOW TO ORDER/NOMENCLATURE PAGE B2-8	SELECTION/DIMENSIONS PAGE B2-24	ACCESSORIES PAGE B2-77
--------------------------------	--	------------------------------------	---------------------------

SELECTION/DIMENSIONS



E-Z KLEEN Mounted Bearings DLEZ NORMAL DUTY POLYMER HOUSED PILLOW BLOCKS

Bearing Reference Guide

ULTRA KLEEN

E-Z KLEEN

Extreme Duty

Setscrew Ball Bearing

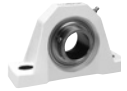
GRIP TIGHT

D-LOK Ball Bearing

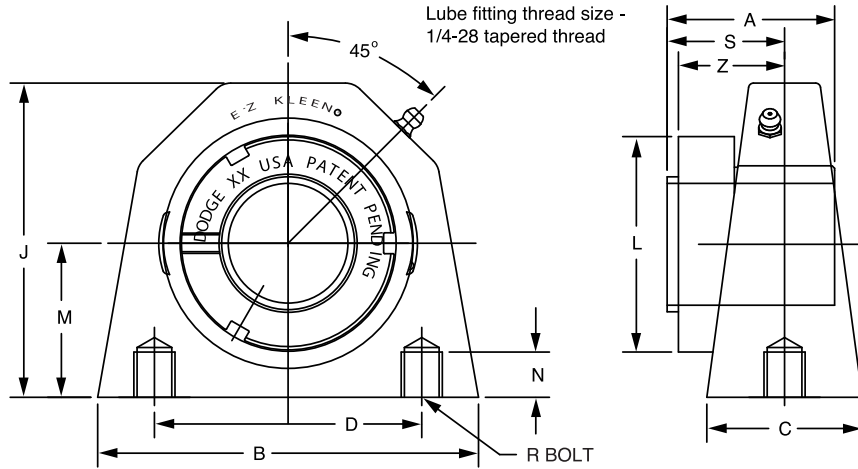
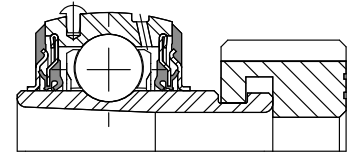
Size	Shaft Series	Weight lbs kg	A	B	C	D		F Bolt Dia.	G	H	J	L	M	R	S
						min.	max.								
204	3/4	0.92	1.28	5.02	1.48	3.66	3.92	3/8	0.59	0.61	2.63	1.71	1.31	0.50	0.78
	20mm	0.42	32.5	127.5	37.6	93.0	99.6	M10	15.0	15.5	66.8	43.4	33.4	12.7	19.8
205	7/8	1.32	1.44	5.48	1.48	3.96	4.20	3/8	0.59	0.61	2.86	1.99	1.44	0.56	0.88
	15/16	1.22													
	1	1.12													
	25mm	0.51	36.6	139.2	37.6	100.6	106.7	M10	15.0	15.5	72.6	50.5	36.5	14.2	22.4
206 (DLU)	1-1/8	1.83	1.56	6.30	1.77	4.60	4.88	1/2	0.73	0.70	3.34	2.22	1.69	0.58	0.98
	1-3/16	1.73													
	1-1/4	1.63													
	30mm	0.79	39.6	160.0	45.0	116.8	124.0	M12	18.5	17.8	84.8	56.4	42.9	14.7	24.9
207	1-1/4	2.46	1.75	6.54	1.86	4.80	5.12	1/2	0.73	0.72	3.89	2.69	1.88	0.67	1.08
	1-3/8	2.41													
	1-7/16	2.36													
	35mm	1.13	44.5	166.1	47.2	121.9	130.0	M12	18.5	18.3	98.8	68.3	47.6	17.0	27.4
208 (DLB)	1-1/2	3.01	2.01	7.19	2.10	5.10	5.64	1/2	0.88	0.76	4.16	2.74	1.94	0.75	1.26
	40mm	1.39	51.1	182.6	53.3	129.5	143.3	M12	22.4	19.3	105.7	69.6	49.2	19.1	32.0
209	1-5/8	3.51	2.01	7.20	2.10	5.42	5.96	1/2	0.88	0.84	4.31	2.99	2.13	0.75	1.26
	1-11/16	3.41													
	1-3/4	3.31													
	45mm	1.56	51.1	182.9	53.3	137.7	151.4	M12	22.4	21.3	109.5	75.9	54.0	19.1	32.0
210	1-15/16	4.17	2.01	8.06	2.36	6.00	6.56	5/8	1.00	0.91	4.56	3.24	2.25	0.75	1.26
	2	4.07													
	50mm	1.68	51.1	204.7	59.9	152.4	166.6	M16	25.4	23.1	115.8	82.3	57.2	19.1	32.0

FEATURES/BENEFITS PAGE B2-3	HOW TO ORDER/NOMENCLATURE PAGE B2-8	SELECTION/DIMENSIONS PAGE B2-24	ACCESSORIES PAGE B2-77
--------------------------------	--	------------------------------------	---------------------------

SELECTION/DIMENSIONS



E-Z KLEEN Mounted Bearings GTEZ NORMAL DUTY POLYMER HOUSED TAPPED BASE PILLOW BLOCKS



Series	Shaft Size	Complete Unit		Unit Without Adapter		Adapter & Nut Assembly	
		Part No.	Description	Part No.	Description	Part No.	Description
204	3/4	129291	TB-GTEZ-012-PCR	129537	TB-GTEZ-04-PCR	129967	AN-GT-04-012-CR
	20mm	129292	TB-GTEZ-20M-PCR	129988	TB-GTEZ-04M-PCR	129980	AN-GT-04-20M-CR
205	1	129293	TB-GTEZ-100-PCR	129538	TB-GTEZ-05-PCR	129968	AN-GT-05-100-CR
	25mm	129294	TB-GTEZ-25M-PCR	129989	TB-GTEZ-05M-PCR	129981	AN-GT-05-25M-CR
206	1-1/8	@	TB-GTEZ-102-PCR	129539	TB-GTEZ-06-PCR	129969	AN-GT-06-102-CR
	1-3/16	129295	TB-GTEZ-103-PCR			129970	AN-GT-06-103-CR
	1-1/4	129296	TB-GTEZ-104S-PCR			129971	AN-GT-06-104S-CR
	30mm	129297	TB-GTEZ-30M-PCR			129982	AN-GT-06-30M-CR
207	1-1/4	129298	TB-GTEZ-104-PCR	129540	TB-GTEZ-07-PCR	129972	AN-GT-07-104-CR
	1-3/8	@	TB-GTEZ-106-PCR			129973	AN-GT-07-106-CR
	1-7/16	129299	TB-GTEZ-107-PCR			129974	AN-GT-07-107-CR
	35mm	129300	TB-GTEZ-35M-PCR			129983	AN-GT-07-35M-CR

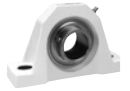
@ Assembled to order

Series	Shaft Size	Weight Lbs kg	A	B	C	D	J	L	M	N Thread Depth	R Bolt Hole Threads	S#	Z
204	3/4	0.88	1.48	3.25	1.48	2.00	2.65	1.50	1.31	0.40	3/8-16	1.02	1.03
	20mm	0.41	37.6	82.6	37.6	50.8	67.3	38.1	33.4	10.2	M10x1.5	25.9	26.2
205	1	1.01	1.46	3.25	1.49	2.00	2.89	1.80	1.44	0.40	3/8-16	0.98	1.00
	25mm	0.47	37.1	82.6	37.8	50.8	73.4	45.7	36.5	10.2	M10x1.5	24.9	25.4
206	1-1/8	1.79	1.61	4.38	1.57	3.00	3.38	2.08	1.69	0.45	7/16-14	1.09	1.13
	1-3/16	1.69											
	1-1/4	1.59											
	30mm	0.77	40.9	111.3	39.9	76.2	85.9	52.8	42.9	11.4	M10x1.5	27.7	28.7
207	1-1/4	2.62	1.62	4.63	1.89	3.25	3.82	2.38	1.88	0.55	1/2-13	1.08	1.14
	1-3/8	2.42											
	1-7/16	2.32											
	35mm	1.11	41.1	117.6	48.0	82.6	97.0	60.5	47.6	14.0	M12x1.75	27.4	29.0

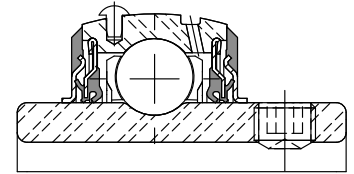
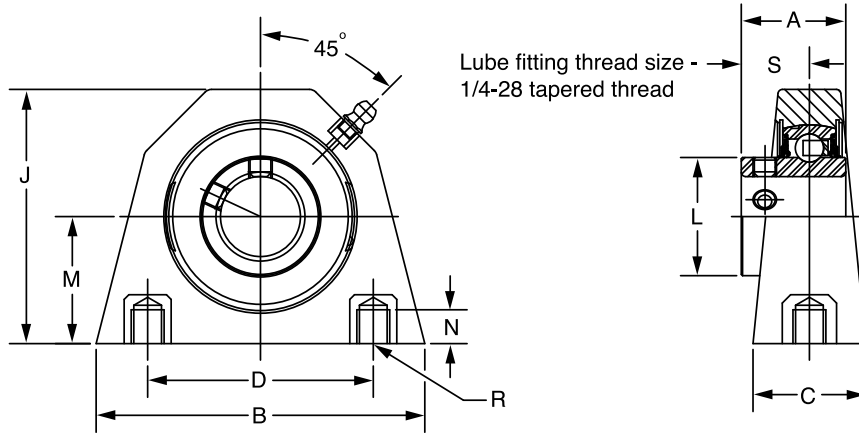
#S dimension will vary slightly depending on true shaft diameter

FEATURES/BENEFITS PAGE B2-3	HOW TO ORDER/NOMENCLATURE PAGE B2-8	SELECTION/DIMENSIONS PAGE B2-24	ACCESSORIES PAGE B2-77
--------------------------------	--	------------------------------------	---------------------------

SELECTION/DIMENSIONS



E-Z KLEEN Mounted Bearings SCEZ NORMAL DUTY POLYMER HOUSED TAPPED BASE PILLOW BLOCKS



Series	Shaft Size	With Corrosion Resistant Insert		Standard Insert With Flingers		Weight lbs kg	A	B	C	D	J	L	M	N Thread Depth	R Bolt Hole Threads	S
		Part No.	Description	Part No.	Description											
204	1/2	@	TB-SCEZ-008L-PCR*	@	TB-SCEZ-008L-P	0.74	1.23	3.25	1.48	2.00	2.65	1.12	1.31	0.40	3/8-16	0.73
	5/8	064720	TB-SCEZ-010L-PCR*	@	TB-SCEZ-010L-P	0.66										
	3/4	127509	TB-SCEZ-012-PCR	@	TB-SCEZ-012-P	0.60										
	20mm	127552	TB-SCEZ-20M-PCR	@	TB-SCEZ-20M-P	0.29	31.2	82.6	37.6	50.8	67.3	28.4	33.4	10.2	M10x1.5	18.5
205	7/8	@	TB-SCEZ-014-PCR*	@	TB-SCEZ-014-P	0.72	1.34	3.25	1.49	2.00	2.89	1.32	1.44	0.40	3/8-16	0.78
	15/16	@	TB-SCEZ-015-PCR*	@	TB-SCEZ-015-P	0.64										
	1	127510	TB-SCEZ-100-PCR	@	TB-SCEZ-100-P	0.58										
	25mm	127553	TB-SCEZ-25M-PCR	@	TB-SCEZ-25M-P	0.28	34.0	82.6	37.8	50.8	73.4	33.5	36.5	10.2	M10x1.5	19.8
206	1-1/8	@	TB-SCEZ-102-PCR*	@	TB-SCEZ-102-P	1.16	1.52	4.38	1.57	3.00	3.38	1.57	1.69	0.45	7/16-14	0.94
	1-3/16	127511	TB-SCEZ-103-PCR	@	TB-SCEZ-103-P	1.09										
	1-1/4	127512	TB-SCEZ-104S-PCR	058632	TB-SCEZ-104S-P	1.07										
	30mm	127554	TB-SCEZ-30M-PCR	@	TB-SCEZ-30M-P	0.49	38.6	111.3	39.9	76.2	85.9	39.9	42.9	11.4	M10x1.5	23.9
207	1-1/4	127513	TB-SCEZ-104-PCR	@	TB-SCEZ-104-P	1.64	1.71	4.63	1.89	3.25	3.82	1.84	1.88	0.55	1/2-13	1.04
	1-5/16	@	TB-SCEZ-105-PCR*	@	TB-SCEZ-105-P	1.58										
	1-3/8	056577	TB-SCEZ-106-PCR*	@	TB-SCEZ-106-P	1.53										
	1-7/16	127514	TB-SCEZ-107-PCR	@	TB-SCEZ-107-P	1.48										
35mm	127555	TB-SCEZ-35M-PCR	@	TB-SCEZ-35M-P	0.72	43.4	117.6	48.0	82.6	97.0	46.7	47.6	14.0	M12x1.75	26.4	

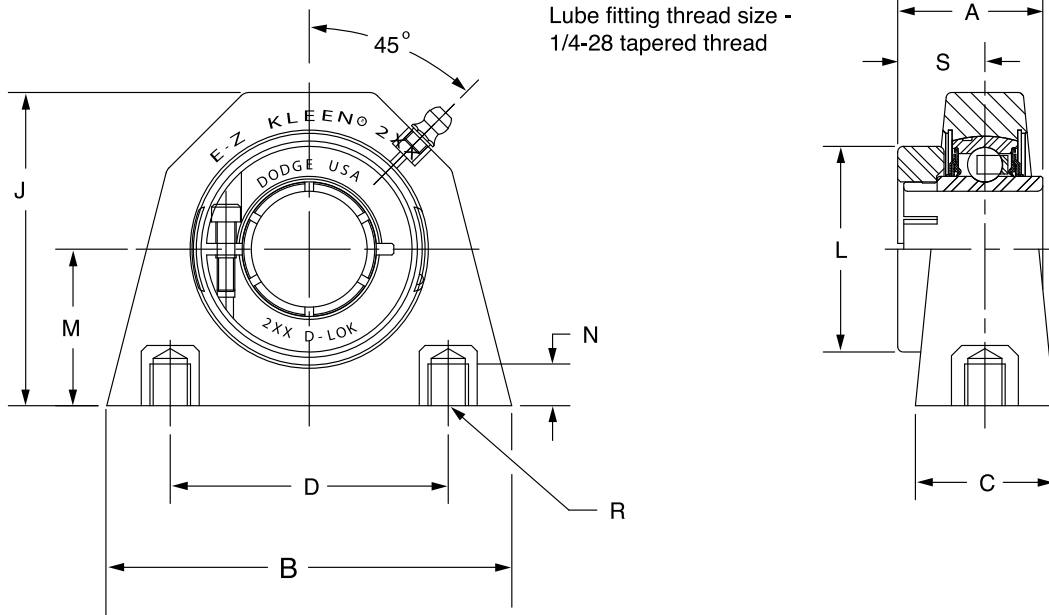
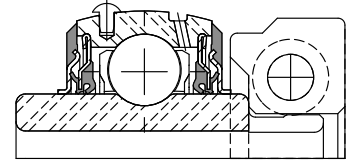
@ Assembled to order
*20 piece minimum

FEATURES/BENEFITS PAGE B2-3	HOW TO ORDER/NOMENCLATURE PAGE B2-8	SELECTION/DIMENSIONS PAGE B2-24	ACCESSORIES PAGE B2-77
--------------------------------	--	------------------------------------	---------------------------



SELECTION/DIMENSIONS

E-Z KLEEN Mounted Bearings DLEZ NORMAL DUTY POLYMER HOUSED TAPPED BASE PILLOW BLOCKS

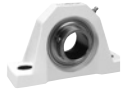


Series	Shaft Size	With Corrosion Resistant Insert		Standard Insert With Flingers	
		Part No.	Description	Part No.	Description
204	3/4	127587	TB-DLEZ-012-PCR	@	TB-DLEZ-012-P
	20mm	127630	TB-DLEZ-20M-PCR	@	TB-DLEZ-20M-P
205	7/8	@	TB-DLEZ-014-PCR*	@	TB-DLEZ-014-P
	15/16	@	TB-DLEZ-015-PCR*	@	TB-DLEZ-015-P
	1	127588	TB-DLEZ-100-PCR	@	TB-DLEZ-100-P
	25mm	127631	TB-DLEZ-25M-PCR	@	TB-DLEZ-25M-P
206	1-1/8	@	TB-DLEZ-102-PCR*	@	TB-DLEZ-102-P
	1-3/16	127589	TB-DLEZ-103-PCR	@	TB-DLEZ-103-P
	1-1/4	127590	TB-DLEZ-104S-PCR	@	TB-DLEZ-104S-P
	30mm	127632	TB-DLEZ-30M-PCR	@	TB-DLEZ-30M-P
207	1-1/4	127591	TB-DLEZ-104-PCR	@	TB-DLEZ-104-P
	1-3/8	@	TB-DLEZ-106-PCR*	@	TB-DLEZ-106-P
	1-7/16	127592	TB-DLEZ-107-PCR	@	TB-DLEZ-107-P
	35mm	127633	TB-DLEZ-35M-PCR	@	TB-DLEZ-35M-P

@ Assembled to order
*20 piece minimum

FEATURES/BENEFITS PAGE B2-3	HOW TO ORDER/NOMENCLATURE PAGE B2-8	SELECTION/DIMENSIONS PAGE B2-24	ACCESSORIES PAGE B2-77
--------------------------------	--	------------------------------------	---------------------------

SELECTION/DIMENSIONS

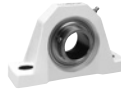


E-Z KLEEN Mounted Bearings DLEZ NORMAL DUTY POLYMER HOUSED TAPPED BASE PILLOW BLOCKS

Bearing Reference Guide
 ULTRA KLEEN
 E-Z KLEEN
 Extreme Duty
 Setscrew Ball Bearing
 GRIP TIGHT
 D-LOK Ball Bearing

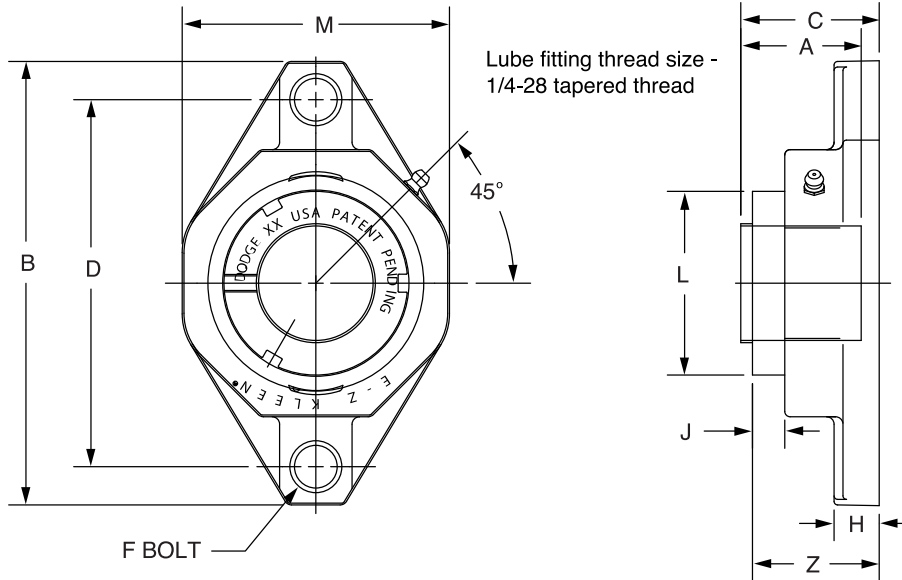
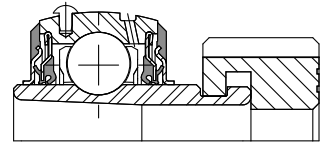
Series	Shaft Size	Weight lbs kg	A	B	C	D	J	L	M	N Thread Depth	R Bolt Hole Threads	S
204	3/4	0.88	1.28	3.25	1.48	2.00	2.65	1.71	1.31	0.40	3/8-16	0.78
	20mm	0.41	32.5	82.6	37.6	50.8	67.3	43.4	33.4	10.2	M10x1.5	19.8
205	7/8	1.12	1.44	3.25	1.49	2.00	2.89	1.99	1.44	0.40	3/8-16	0.88
	15/16	1.11										
	1	1.01										
206	25mm	0.47	36.6	82.6	37.8	50.8	73.4	50.5	36.5	10.2	M10x1.5	22.4
	1-1/8	1.79	1.56	4.38	1.57	3.00	3.38	2.22	1.69	0.45	7/16-14	0.98
	1-3/16	1.69										
	1-1/4	1.59										
207	30mm	0.77	39.6	111.3	39.9	76.2	85.9	56.4	42.9	11.4	M10x1.5	24.9
	1-1/4	2.62	1.75	4.63	1.89	3.25	3.82	2.69	1.88	0.55	1/2-13	1.08
	1-3/8	2.42										
	1-7/16	2.32										
	35mm	1.11	44.5	117.6	48.0	82.6	97.0	68.3	47.6	14.0	M12x1.75	27.4

FEATURES/BENEFITS PAGE B2-3	HOW TO ORDER/NOMENCLATURE PAGE B2-8	SELECTION/DIMENSIONS PAGE B2-24	ACCESSORIES PAGE B2-77
--------------------------------	--	------------------------------------	---------------------------



SELECTION/DIMENSIONS

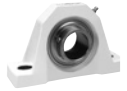
E-Z KLEEN Mounted Bearings GTEZ NORMAL DUTY POLYMER HOUSED 2-BOLT FLANGE BEARINGS



Series	Shaft Size	Complete Unit		Unit Without Adapter		Adapter & Nut Assembly	
		Part No.	Description	Part No.	Description	Part No.	Description
204	3/4 20mm	129339	F2B-GTEZ-012-PCR	129548	F2B-GTEZ-04-PCR	129967	AN-GT-04-012-CR
		129340	F2B-GTEZ-20M-PCR			129980	AN-GT-04-20M-CR
205	1 25mm	129341	F2B-GTEZ-100-PCR	129549	F2B-GTEZ-05-PCR	129968	AN-GT-05-100-CR
		129342	F2B-GTEZ-25M-PCR			129981	AN-GT-05-25M-CR
206	1 -1/8 1 -3/16 1 -1/4 30mm	129394	F2B-GTEZ-102-PCR	129550	F2B-GTEZ-06-PCR	129969	AN-GT-06-102-CR
		129343	F2B-GTEZ-103-PCR			129970	AN-GT-06-103-CR
		129344	F2B-GTEZ-104S-PCR			129971	AN-GT-06-104S-CR
		129345	F2B-GTEZ-30M-PCR			129982	AN-GT-06-30M-CR
207	1 -1/4 1 -3/8 1 -7/16 35mm	129346	F2B-GTEZ-104-PCR	129551	F2B-GTEZ-07-PCR	129972	AN-GT-07-104-CR
		073406	F2B-GTEZ-106-PCR			129973	AN-GT-07-106-CR
		129347	F2B-GTEZ-107-PCR			129974	AN-GT-07-107-CR
		129348	F2B-GTEZ-35M-PCR			129983	AN-GT-07-35M-CR
208	1 -1/2 40mm	129349	F2B-GTEZ-108-PCR	129552	F2B-GTEZ-08-PCR	129975	AN-GT-08-108-CR
		129350	F2B-GTEZ-40M-PCR			129984	AN-GT-08-40M-CR
209	1 -11/16 1 -3/4 45mm	129351	F2B-GTEZ-111-PCR	129553	F2B-GTEZ-09-PCR	129976	AN-GT-09-111-CR
		064147	F2B-GTEZ-112-PCR			129977	AN-GT-09-112-CR
		129352	F2B-GTEZ-45M-PCR			129985	AN-GT-09-45M-CR
210	1 -15/16 2 50mm	129353	F2B-GTEZ-115-PCR	129554	F2B-GTEZ-10-PCR	129978	AN-GT-10-115-CR
		064503	F2B-GTEZ-200-PCR			129979	AN-GT-10-200-CR
		129354	F2B-GTEZ-50M-PCR			129986	AN-GT-10-50M-CR

@ Assembled to order

SELECTION/DIMENSIONS



E-Z KLEEN Mounted Bearings GTEZ NORMAL DUTY POLYMER HOUSED 2-BOLT FLANGE BEARINGS

Bearing Reference Guide

ULTRA KLEEN

E-Z KLEEN

Extreme Duty

Setscrew Ball Bearing

GRIP TIGHT

D-LOK Ball Bearing

Size	Shaft Series	Weight lbs kg	A	B	C#	D	F Bolt Dia.	H	J	L	M	Z
204	3/4	0.77	1.48	4.45	1.72	3.54	3/8	0.53	0.61	1.50	2.35	1.73
	20mm	0.36	37.6	113.0	43.7	90.0	M10	13.5	15.5	38.1	59.7	43.9
205	1	1.01	1.46	4.92	1.70	3.90	3/8	0.54	0.58	1.80	2.71	1.72
	25mm	0.47	37.1	125.0	43.2	99.0	M10	13.7	14.7	45.7	68.8	43.7
206	1-1/8	1.56	1.61	5.58	1.84	4.59	3/8	0.60	0.64	2.08	3.19	1.88
	1-3/16	1.46										
	1-1/4	1.36										
	30mm	0.57	40.9	141.7	46.7	116.5	M10	15.2	16.3	52.8	81.0	47.8
207	1-1/4	2.18	1.62	6.31	1.86	5.12	1/2	0.62	0.64	2.38	3.69	1.92
	1-5/16	2.11										
	1-7/16	2.08										
	35mm	1.00	41.1	160.3	47.2	130.0	M12	15.7	16.3	60.5	93.7	48.8
208	1-1/2	2.75	1.84	6.77	2.12	5.65	1/2	0.67	0.67	2.62	4.06	2.12
	40mm	1.26	46.7	172.0	53.8	143.5	M12	17.0	17.0	66.5	103.1	53.8
209	1-5/8	3.11	1.85	7.07	2.12	5.85	9/16	0.72	0.69	2.86	4.31	2.15
	1-11/16	3.07										
	1-3/4	3.04										
	45mm	1.41	47.0	179.6	53.8	148.5	M14	18.3	17.5	72.6	109.5	54.6
210	1-15/16	3.64	1.86	7.47	2.26	6.18	5/8	0.76	0.70	3.13	4.50	2.29
	2	3.60										
	50mm	1.67	47.2	189.7	57.4	157.0	M16	19.3	17.8	79.5	114.3	58.2

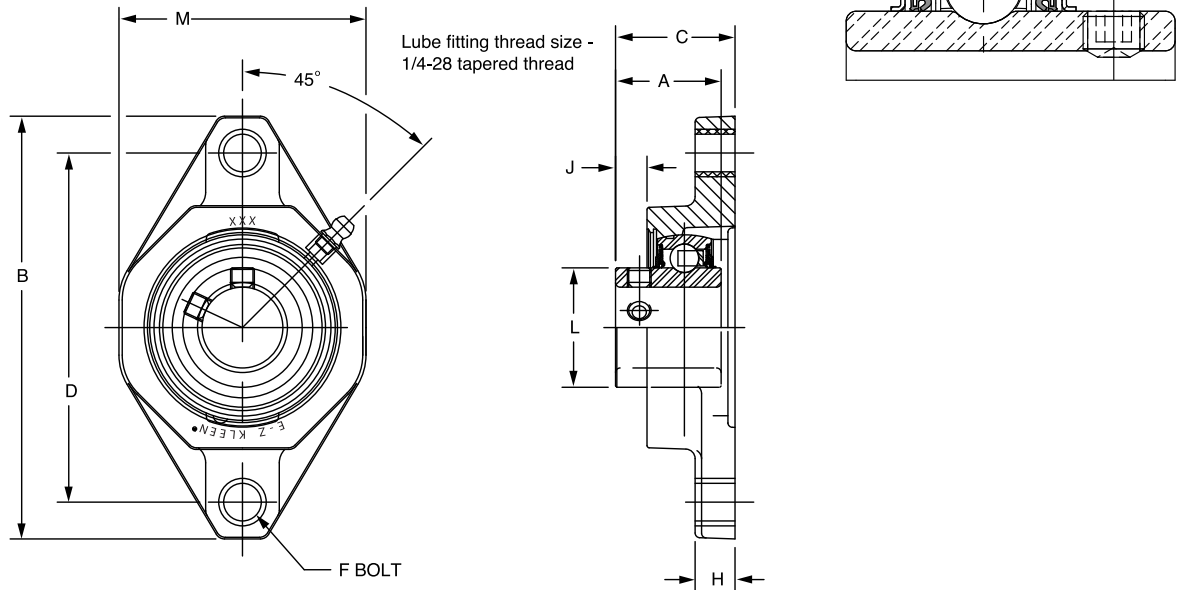
#C dimension will vary slightly depending on true shaft diameter.

FEATURES/BENEFITS PAGE B2-3	HOW TO ORDER/NOMENCLATURE PAGE B2-8	SELECTION/DIMENSIONS PAGE B2-24	ACCESSORIES PAGE B2-77
--------------------------------	--	------------------------------------	---------------------------

SELECTION/DIMENSIONS



E-Z KLEEN Mounted Bearings SCEZ NORMAL DUTY POLYMER HOUSED 2-BOLT FLANGE BEARINGS



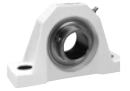
Series	Shaft Size	With Corrosion Resistant Insert		Standard Insert With Flingers		Weight lbs kg	A	B	C	D	F Bolt Dia.	H	J	L	M
		Part No.	Description	Part No.	Description										
204	1/2	059823	F2B-SCEZ-008L-PCR*	@	F2B-SCEZ-008L-P	0.48	1.23	4.45	1.43	3.54	3/8	0.53	0.31	1.12	2.35
	5/8	058792	F2B-SCEZ-010L-PCR*	@	F2B-SCEZ-010L-P	0.44									
	3/4	127524	F2B-SCEZ-012-PCR	058404	F2B-SCEZ-012-P	0.40									
	20mm	127563	F2B-SCEZ-20M-PCR	@	F2B-SCEZ-20M-P	0.24	31.2	113.0	36.3	90.0	M10	13.5	7.9	28.4	59.7
205	7/8	@	F2B-SCEZ-014-PCR*	062837	F2B-SCEZ-014-P	0.64	1.34	4.92	1.50	3.90	3/8	0.54	0.36	1.32	2.71
	15/16	076841	F2B-SCEZ-015-PCR*	@	F2B-SCEZ-015-P	0.60									
	1	127525	F2B-SCEZ-100-PCR	057524	F2B-SCEZ-100-P	0.56									
	25mm	127564	F2B-SCEZ-25M-PCR	@	F2B-SCEZ-25M-P	0.28	34.0	125.0	38.1	99.0	M10	13.7	9.1	33.5	68.8
206	1-1/8	058470	F2B-SCEZ-102-PCR*	@	F2B-SCEZ-102-P	0.88	1.52	5.58	1.69	4.59	3/8	0.60	0.45	1.57	3.19
	1-3/16	127526	F2B-SCEZ-103-PCR	056449	F2B-SCEZ-103-P	0.86									
	1-1/4	127527	F2B-SCEZ-104S-PCR	057594	F2B-SCEZ-104S-P	0.84									
	30mm	127565	F2B-SCEZ-30M-PCR	@	F2B-SCEZ-30M-P	0.39	38.6	141.7	42.9	116.5	M10	15.2	11.4	39.9	81.0
207	1-1/4	127528	F2B-SCEZ-104-PCR	057687	F2B-SCEZ-104-P	1.36	1.71	6.31	1.82	5.12	1/2	0.62	0.54	1.84	3.69
	1-5/16	049380	F2B-SCEZ-105-PCR*	@	F2B-SCEZ-105-P	1.32									
	1-3/8	056893	F2B-SCEZ-106-PCR*	056526	F2B-SCEZ-106-P	1.28									
	1-7/16	127529	F2B-SCEZ-107-PCR	058941	F2B-SCEZ-107-P	1.24									
35mm	127566	F2B-SCEZ-35M-PCR	@	F2B-SCEZ-35M-P	0.61	43.4	160.3	46.2	130.0	M12	15.7	13.7	46.7	93.7	
208	1-1/2	127530	F2B-SCEZ-108-PCR	056580	F2B-SCEZ-108-P	1.82	1.94	6.77	2.08	5.65	1/2	0.67	0.63	2.05	4.06
	1-5/8	073651	F2B-SCEZ-110-PCR*	073638	F2B-SCEZ-110-P	1.78									
	40mm	127567	F2B-SCEZ-40M-PCR	@	F2B-SCEZ-40M-P	0.76	49.3	172.0	52.8	143.5	M12	17.0	16.0	52.1	103.1
209	1-5/8	@	F2B-SCEZ-110L-PCR*	@	F2B-SCEZ-110L-P	2.04	1.94	7.07	2.08	5.85	9/16	0.72	0.62	2.22	4.31
	1-11/16	127531	F2B-SCEZ-111-PCR	067986	F2B-SCEZ-111-P	2.00									
	1-3/4	@	F2B-SCEZ-112-PCR	065786	F2B-SCEZ-112-P	1.96									
	45mm	127568	F2B-SCEZ-45M-PCR	@	F2B-SCEZ-45M-P	0.88	49.3	179.6	52.8	148.5	M14	18.3	15.7	56.4	109.5
210	1-15/16	127532	F2B-SCEZ-115-PCR	058593	F2B-SCEZ-115-P	2.12	1.94	7.47	2.22	6.18	5/8	0.76	0.63	2.43	4.50
	2	049835	F2B-SCEZ-200-PCR	@	F2B-SCEZ-200-P	2.08									
	50mm	127569	F2B-SCEZ-50M-PCR	@	F2B-SCEZ-50M-P	0.96	49.3	189.7	56.4	157.0	M16	19.3	16.0	61.7	114.3

@ Assembled to order

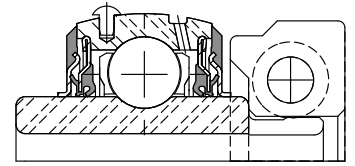
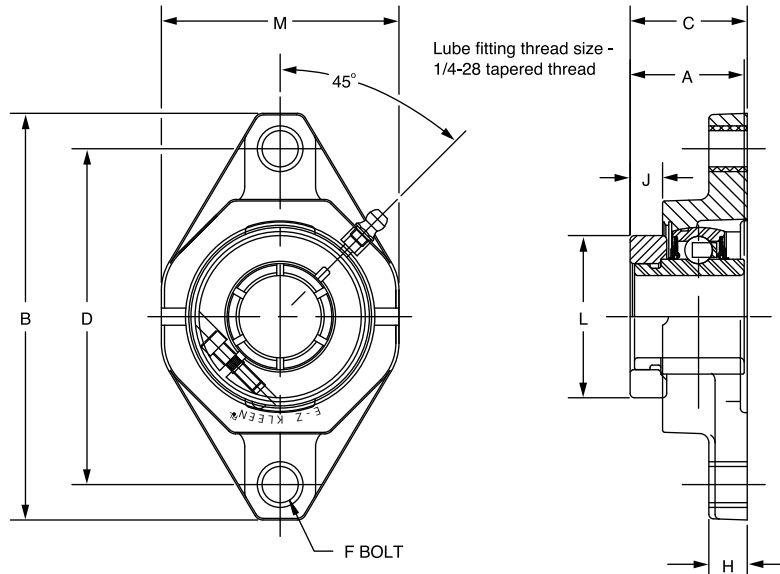
* 20 piece minimum

FEATURES/BENEFITS PAGE B2-3	HOW TO ORDER/NOMENCLATURE PAGE B2-8	SELECTION/DIMENSIONS PAGE B2-24	ACCESSORIES PAGE B2-77
--------------------------------	--	------------------------------------	---------------------------

SELECTION/DIMENSIONS



E-Z KLEEN Mounted Bearings DLEZ NORMAL DUTY POLYMER HOUSED 2-BOLT FLANGE BEARINGS



Bearing Reference Guide

ULTRA KLEEN

E-Z KLEEN

Series	Shaft Size	With Corrosion Resistant Insert		Standard Insert With Flingers		Weight lbs kg	A	B	C	D	F Bolt Dia.	H	J	L	M
		Part No.	Description	Part No.	Description										
204	3/4	127602	F2B-DLEZ-012-PCR	@	F2B-DLEZ-012-P	0.77	1.28	4.45	1.49	3.54	3/8	0.53	0.37	1.71	2.35
	20mm	127641	F2B-DLEZ-20M-PCR	@	F2B-DLEZ-20M-P	0.36	32.5	113.0	37.8	90.0	M10	13.5	9.4	43.4	59.7
205	7/8	@	F2B-DLEZ-014-PCR*	@	F2B-DLEZ-014-P	1.09	1.44	4.92	1.60	3.90	3/8	0.54	0.46	1.99	2.71
	15/16	@	F2B-DLEZ-015-PCR*	@	F2B-DLEZ-015-P	1.05									
	1	127603	F2B-DLEZ-100-PCR	@	F2B-DLEZ-100-P	1.01									
	25mm	127642	F2B-DLEZ-25M-PCR	@	F2B-DLEZ-25M-P	0.47	36.6	125.0	40.6	99.0	M10	13.7	11.7	50.5	68.8
206	1-1/8	@	F2B-DLEZ-102-PCR*	@	F2B-DLEZ-102-P	1.56	1.56	5.58	1.73	4.59	3/8	0.60	0.49	2.22	3.19
	1-3/16	127604	F2B-DLEZ-103-PCR	@	F2B-DLEZ-103-P	1.46									
	1-1/4	127605	F2B-DLEZ-104S-PCR	@	F2B-DLEZ-104S-P	1.36									
	30mm	127643	F2B-DLEZ-30M-PCR	@	F2B-DLEZ-30M-P	0.57	39.6	141.7	43.9	116.5	M10	15.2	12.4	56.4	81.0
207	1-1/4	127606	F2B-DLEZ-104-PCR	@	F2B-DLEZ-104-P	2.18	1.75	6.31	1.86	5.12	1/2	0.62	0.58	2.69	3.69
	1-3/8	@	F2B-DLEZ-106-PCR*	@	F2B-DLEZ-106-P	2.11									
	1-7/16	127607	F2B-DLEZ-107-PCR	@	F2B-DLEZ-107-P	2.08									
	35mm	127644	F2B-DLEZ-35M-PCR	@	F2B-DLEZ-35M-P	1.00	44.5	160.3	47.2	130.0	M12	15.7	14.7	68.3	93.7
208	1-1/2	127608	F2B-DLEZ-108-PCR	@	F2B-DLEZ-108-P	2.75	2.01	6.77	2.15	5.65	1/2	0.67	0.70	2.74	4.06
	40mm	127645	F2B-DLEZ-40M-PCR	@	F2B-DLEZ-40M-P	1.26	51.1	172.0	54.6	143.5	M12	17.0	17.8	69.6	103.1
209	1-5/8	@	F2B-DLEZ-110L-PCR*	@	F2B-DLEZ-110L-P	3.11	2.01	7.07	2.15	5.85	9/16	0.72	0.69	2.99	4.31
	1-11/16	127609	F2B-DLEZ-111-PCR	@	F2B-DLEZ-111-P	3.07									
	1-3/4	@	F2B-DLEZ-112-PCR*	@	F2B-DLEZ-112-P	3.04									
	45mm	127646	F2B-DLEZ-45M-PCR	@	F2B-DLEZ-45M-P	1.41	51.1	179.6	54.6	148.5	M14	18.3	17.5	75.9	109.5
210	1-15/16	127610	F2B-DLEZ-115-PCR	@	F2B-DLEZ-115-P	3.64	2.01	7.47	2.29	6.18	5/8	0.76	0.70	3.24	4.50
	2	058515	F2B-DLEZ-200-PCR	@	F2B-DLEZ-200-P	3.60									
	50mm	127647	F2B-DLEZ-50M-PCR	@	F2B-DLEZ-50M-P	1.67	51.1	189.7	58.2	157.0	M16	19.3	17.8	82.3	114.3

@ Assembled to order
*20 piece minimum

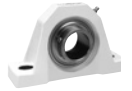
Extreme Duty

Setscrew Ball Bearing

GRIP TIGHT

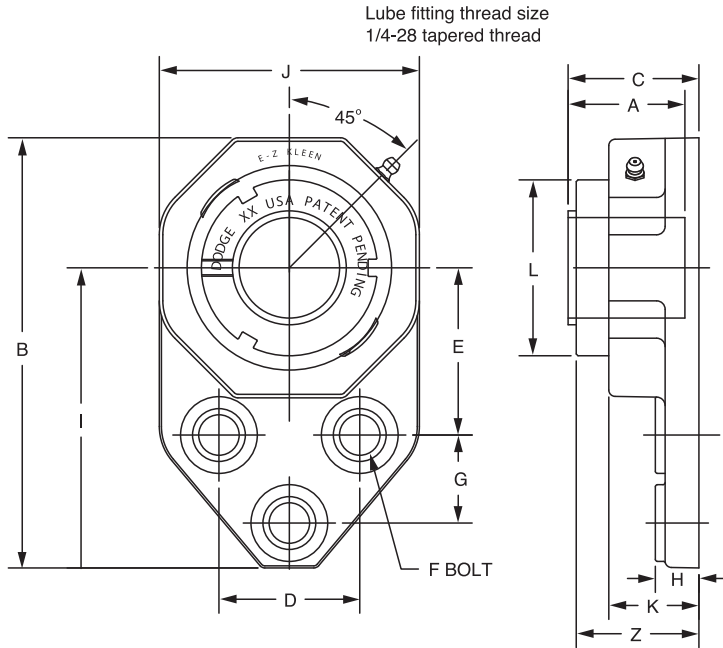
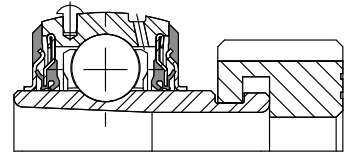
D-LOK Ball Bearing

FEATURES/BENEFITS PAGE B2-3	HOW TO ORDER/NOMENCLATURE PAGE B2-8	SELECTION/DIMENSIONS PAGE B2-24	ACCESSORIES PAGE B2-77
--------------------------------	--	------------------------------------	---------------------------



SELECTION/DIMENSIONS

E-Z KLEEN Mounted Bearings GTEZ NORMAL DUTY POLYMER HOUSED FLANGE BEARINGS



Lube fitting thread size
1/4-28 tapered thread

Series	Shaft Size	Complete Unit		Unit Without Adapter		Adapter & Nut Assembly	
		Part No.	Description	Part No.	Description	Part No.	Description
204	3/4	129627	FB-GTEZ-012-PCR	129555	FB-GTEZ-04-PCR	129967	AN-GT-04-012-CR
205	1	129629	FB-GTEZ-100-PCR	129556	FB-GTEZ-05-PCR	129968	AN-GT-05-100-CR
206	1-1/8	@	FB-GTEZ-102-PCR	129557	FB-GTEZ-06-PCR	129969	AN-GT-06-102-CR
	1-3/16	129631	FB-GTEZ-103-PCR			129970	AN-GT-06-103-CR
	1-1/4	129632	FB-GTEZ-104S-PCR			129971	AN-GT-06-104S-CR
207	1-1/4	129634	FB-GTEZ-104-PCR	129558	FB-GTEZ-07-PCR	129972	AN-GT-07-104-CR
	1-3/8	@	FB-GTEZ-106-PCR			129973	AN-GT-07-106-CR
	1-7/16	129635	FB-GTEZ-107-PCR			129974	AN-GT-07-107-CR

@ Assembled to order

Series	Shaft Size	Weight lbs ks	A	B	C#	D	E	F Bolt Dia.	G	H	I	J	K	L	Z
204	3/4	0.75	1.48	4.39	1.72	1.50	1.69	3/8	0.88	0.53	3.22	2.34	1.12	1.50	1.73
205	1	1.12	1.46	4.91	1.70	1.63	1.81	3/8	1.13	0.54	3.56	2.71	1.14	1.80	1.72
206	1-1/8	1.77	1.61	5.48	1.84	1.88	2.06	3/8	1.25	0.60	3.88	3.20	1.24	2.08	1.88
	1-3/16	1.67													
	1-1/4	1.57													
207	1-1/4	2.65	1.62	6.11	1.86	2.00	2.38	1/2	1.25	0.62	4.26	3.69	1.28	2.38	1.92
	1-3/8	2.58													
	1-7/16	2.55													

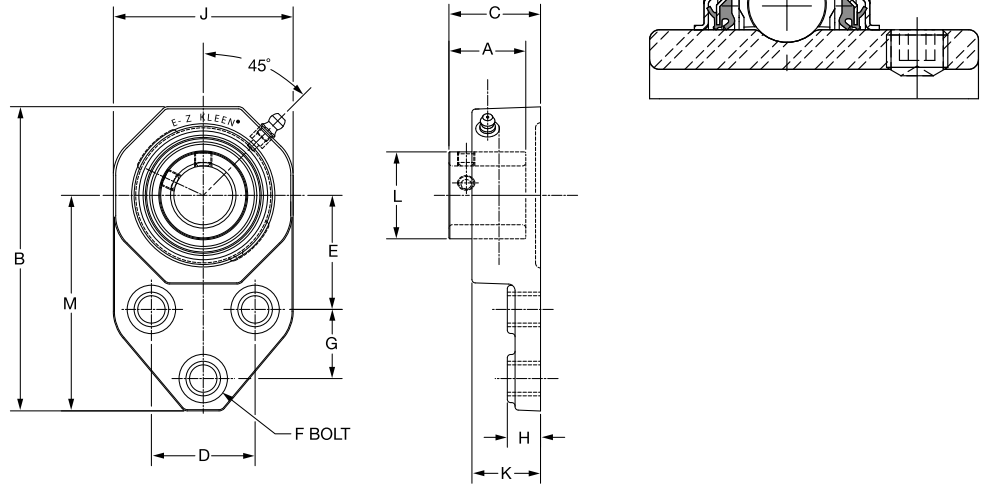
#C dimension will vary slightly depending on true shaft diameter

FEATURES/BENEFITS PAGE B2-3	HOW TO ORDER/NOMENCLATURE PAGE B2-8	SELECTION/DIMENSIONS PAGE B2-24	ACCESSORIES PAGE B2-77
--------------------------------	--	------------------------------------	---------------------------

SELECTION/DIMENSIONS



E-Z KLEEN Mounted Bearings SCEZ NORMAL DUTY POLYMER HOUSED FLANGE BRACKETS



Series	Shaft Size	With Corrosion Resistant Insert		With Insert With Flingers	
		Part No.	Description	Part No.	Description
204	1/2	@	FB-SCEZ-008-PCR*	062317	FB-SCEZ-008L-P
	5/8	@	FB-SCEZ-010-PCR*	@	FB-SCEZ-010-P
	3/4	127533	FB-SCEZ-012-PCR	058336	FB-SCEZ-012-P
	20mm	127570	FB-SCEZ-20M-PCR	@	FB-SCEZ-20M-P
205	7/8	@	FB-SCEZ-014-PCR*	@	FB-SCEZ-014-P
	15/16	@	FB-SCEZ-015-PCR*	@	FB-SCEZ-015-P
	1	127534	FB-SCEZ-100-PCR	057908	FB-SCEZ-100-P
206	25mm	127571	FB-SCEZ-25M-PCR	@	FB-SCEZ-25M-P
	1-1/8	@	FB-SCEZ-102-PCR*	@	FB-SCEZ-102-P
	1-3/16	127535	FB-SCEZ-103-PCR	@	FB-SCEZ-103-P
	1-1/4	127536	FB-SCEZ-104S-PCR	058311	FB-SCEZ-104S-P
207	30mm	127572	FB-SCEZ-30M-PCR	@	FB-SCEZ-30M-P
	1-1/4	127537	FB-SCEZ-104-PCR	@	FB-SCEZ-104-P
	1-5/16	058648	FB-SCEZ-105-PCR*	@	FB-SCEZ-105-P
	1-3/8	@	FB-SCEZ-106-PCR*	@	FB-SCEZ-106-P
	1-7/16	127538	FB-SCEZ-107-PCR	@	FB-SCEZ-107-P
35mm	127573	FB-SCEZ-35M-PCR	@	FB-SCEZ-35M-P	

@ Assembled to order

* 20 piece minimum

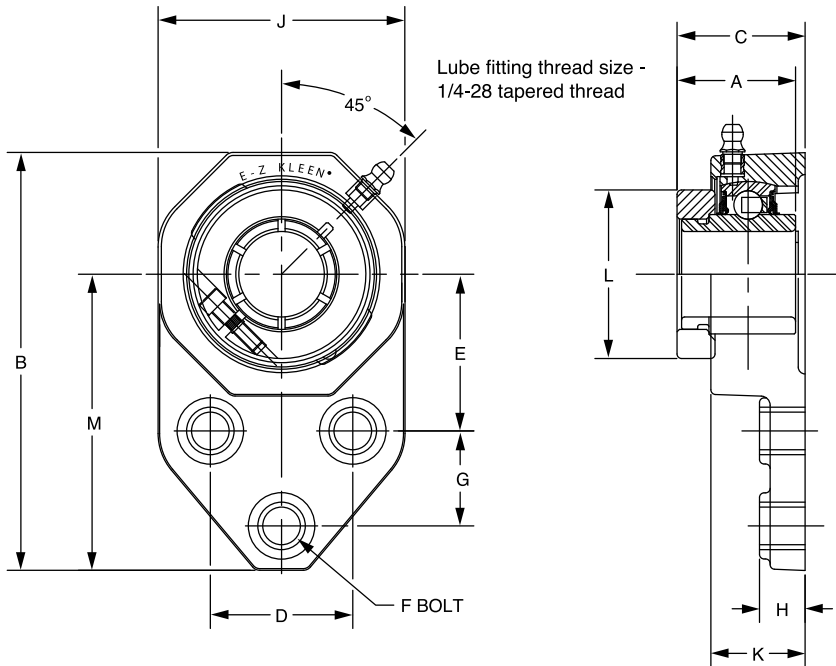
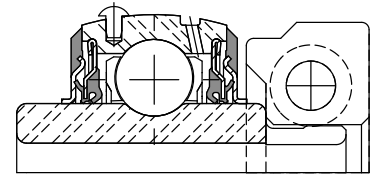
Series	Shaft Size	Weight lbs kg	A	B	C	D	E	F Bolt Dia.	G	H	I	J	K	L
204	1/2	0.51	1.23	4.39	1.44	1.50	1.69	3/8	0.88	0.53	3.22	2.34	1.12	1.12
	5/8	0.49												
	3/4	0.47												
	20mm	0.23	31.2	111.5	36.6	38.1	42.9	M10	22.4	13.5	81.8	59.4	28.4	28.4
205	7/8	0.73	1.34	4.91	1.50	1.63	1.81	3/8	1.13	0.54	3.56	2.71	1.14	1.32
	15/16	0.71												
	1	0.69												
206	25mm	0.32	34.0	124.7	38.1	41.4	46.0	M10	28.7	13.7	90.4	68.8	29.0	33.5
	1-1/8	1.09	1.52	5.48	1.69	1.88	2.06	3/8	1.25	0.60	3.88	3.20	1.24	1.57
	1-3/16	1.07												
	1-1/4	1.05												
207	30mm	0.48	38.6	139.2	42.9	47.8	52.3	M10	31.8	15.2	98.6	81.3	31.5	39.9
	1-1/4	1.87	1.71	6.11	1.82	2.00	2.38	1/2	1.25	0.62	4.26	3.69	1.28	1.84
	1-5/16	1.81												
	1-3/8	1.76												
	1-7/16	1.71												
35mm	0.83	43.4	155.2	46.2	50.8	60.5	M12	31.8	15.7	108.2	93.7	32.5	46.7	

FEATURES/BENEFITS PAGE B2-3	HOW TO ORDER/NOMENCLATURE PAGE B2-8	SELECTION/DIMENSIONS PAGE B2-24	ACCESSORIES PAGE B2-77
--------------------------------	--	------------------------------------	---------------------------



SELECTION/DIMENSIONS

E-Z KLEEN Mounted Bearings DLEZ NORMAL DUTY POLYMER HOUSED FLANGE BRACKETS

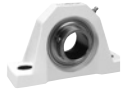


Series	Shaft Size	With Corrosion Resistant Insert		With Insert With Flingers	
		Part No.	Description	Part No.	Description
204	3/4	127611	FB-DLEZ-012-PCR	@	FB-DLEZ-012-P
	20mm	127648	FB-DLEZ-20M-PCR	@	FB-DLEZ-20M-P
205	7/8	@	FB-DLEZ-014-PCR*	@	FB-DLEZ-014-P
	15/16	@	FB-DLEZ-015-PCR*	@	FB-DLEZ-015-P
	1	127612	FB-DLEZ-100-PCR	@	FB-DLEZ-100-P
	25mm	127649	FB-DLEZ-25M-PCR	@	FB-DLEZ-25M-P
206	1-1/8	@	FB-DLEZ-102-PCR*	@	FB-DLEZ-102-P
	1-3/16	127613	FB-DLEZ-103-PCR	@	FB-DLEZ-103-P
	1-1/4	127614	FB-DLEZ-104S-PCR	@	FB-DLEZ-104S-P
	30mm	127650	FB-DLEZ-30M-PCR	@	FB-DLEZ-30M-P
207	1-1/4	127615	FB-DLEZ-104-PCR	@	FB-DLEZ-104-P
	1-3/8	@	FB-DLEZ-106-PCR*	@	FB-DLEZ-106-P
	1-7/16	127616	FB-DLEZ-107-PCR	@	FB-DLEZ-107-P
	35mm	127651	FB-DLEZ-35M-PCR	@	FB-DLEZ-35M-P

@ Assembled to order

* 20 piece minimum

SELECTION/DIMENSIONS

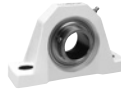


E-Z KLEEN Mounted Bearings DLEZ NORMAL DUTY POLYMER HOUSED FLANGE BRACKETS

Bearing Reference Guide
 ULTRA KLEEN
 E-Z KLEEN
 Extreme Duty
 Setscrew Ball Bearing
 GRIP TIGHT
 D-LOK Ball Bearing

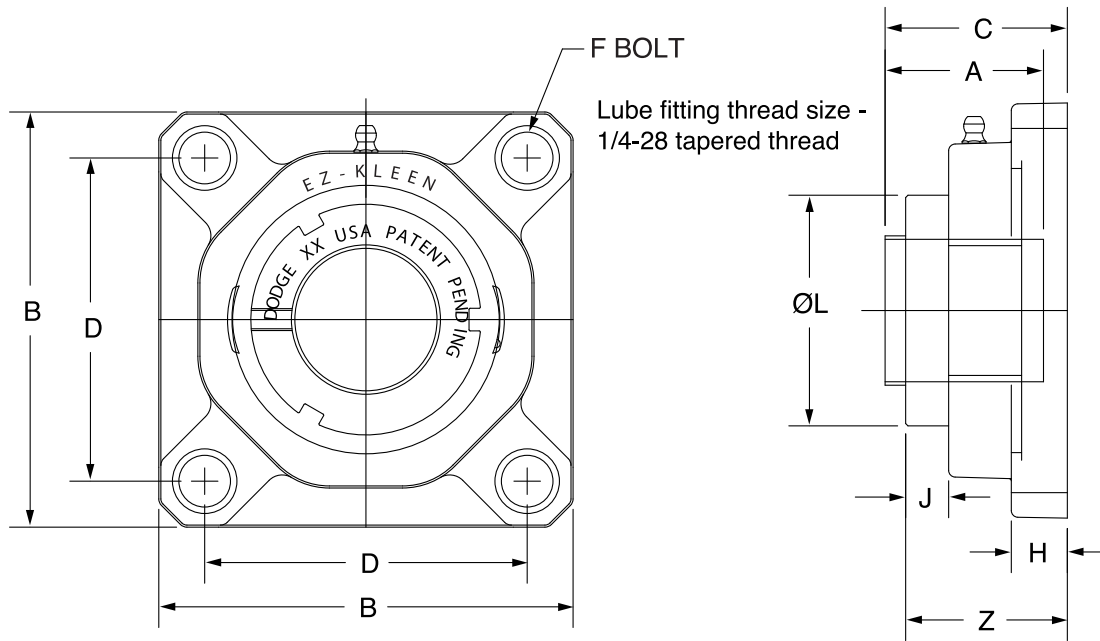
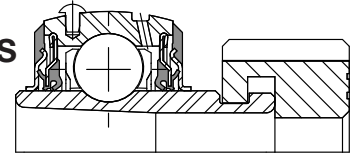
Series	Shaft Size	Weight lbs kg	A	B	C	D	E	F Bolt Dia.	G	H	I	J	K	L
204	3/4	0.75	1.28	4.39	0.37	1.50	1.69	3/8	0.88	0.53	3.22	2.34	1.12	1.71
	20mm	0.35	32.5	111.5	9.4	38.1	42.9	M10	22.4	13.5	81.8	59.4	28.4	43.4
205	7/8	1.32	1.44	4.91	1.60	1.63	1.81	3/8	1.13	0.54	3.56	2.71	1.14	1.99
	15/16	1.22												
	1	1.12												
206	25mm	0.51	36.6	124.7	40.6	41.4	46.0	M10	28.7	13.7	90.4	68.8	29.0	50.5
	1-1/8	1.77	1.56	5.48	1.73	1.88	2.06	3/8	1.25	0.60	3.88	3.20	1.24	2.22
	1-3/16	1.67												
	1-1/4	1.57												
207	30mm	0.76	39.6	139.2	43.9	47.8	52.3	M10	31.8	15.2	98.6	81.3	31.5	56.4
	1-1/4	2.65	1.75	6.11	1.86	2.00	2.38	1/2	1.25	0.62	4.26	3.69	1.28	2.69
	1-3/8	2.58												
	1-7/16	2.55												
	35mm	1.22	44.5	155.2	47.2	50.8	60.5	M12	31.8	15.7	108.2	93.7	32.5	68.3

FEATURES/BENEFITS PAGE B2-3	HOW TO ORDER/NOMENCLATURE PAGE B2-8	SELECTION/DIMENSIONS PAGE B2-24	ACCESSORIES PAGE B2-77
--------------------------------	--	------------------------------------	---------------------------



SELECTION/DIMENSIONS

E-Z KLEEN Mounted Bearings GTEZ NORMAL DUTY POLYMER HOUSED 4-BOLT FLANGE BEARINGS

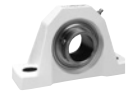


Series	Shaft Size	Complete Unit		Unit Without Adapter		Adapter & Nut Assembly	
		Part No.	Description	Part No.	Description	Part No.	Description
204	3/4	129706	F4B-GTEZ-012-PCR	129541	F4B-GTEZ-04-PCR	129967	AN-GT-04-012-CR
	20mm	129707	F4B-GTEZ-20M-PCR			129980	AN-GT-04-20M-CR
205	1	129708	F4B-GTEZ-100-PCR	129542	F4B-GTEZ-05-PCR	129968	AN-GT-05-100-CR
	25mm	129709	F4B-GTEZ-25M-PCR			129981	AN-GT-05-25M-CR
206	1-1/8	068687	F4B-GTEZ-102-PCR	129543	F4B-GTEZ-06-PCR	129969	AN-GT-06-102-CR
	1-3/16	129710	F4B-GTEZ-103-PCR			129970	AN-GT-06-103-CR
	1-1/4	129711	F4B-GTEZ-104S-PCR			129971	AN-GT-06-104S-CR
	30mm	129712	F4B-GTEZ-30M-PCR			129982	AN-GT-06-30M-CR
207	1-1/4	129713	F4B-GTEZ-104-PCR	129544	F4B-GTEZ-07-PCR	129972	AN-GT-07-104-CR
	1-3/8	@	F4B-GTEZ-106-PCR			129973	AN-GT-07-106-CR
	1-7/16	129714	F4B-GTEZ-107-PCR			129974	AN-GT-07-107-CR
	35mm	129715	F4B-GTEZ-35M-PCR			129983	AN-GT-07-35M-CR
208	1-1/2	129716	F4B-GTEZ-108-PCR	129545	F4B-GTEZ-08-PCR	129975	AN-GT-08-108-CR
	40mm	129717	F4B-GTEZ-40M-PCR			129984	AN-GT-08-40M-CR
209	1-11/16	129718	F4B-GTEZ-111-PCR	129546	F4B-GTEZ-09-PCR	129976	AN-GT-09-111-CR
	1-3/4	064584	F4B-GTEZ-112-PCR			129977	AN-GT-09-112-CR
	45mm	129705	F4B-GTEZ-45M-PCR			129985	AN-GT-09-45M-CR
210	1-15/16	129719	F4B-GTEZ-115-PCR	129547	F4B-GTEZ-10-PCR	129978	AN-GT-10-115-CR
	2	129395	F4B-GTEZ-200-PCR			129979	AN-GT-10-200-CR
	50mm	129720	F4B-GTEZ-50M-PCR			129986	AN-GT-10-50M-CR

@ Assembled to order

FEATURES/BENEFITS PAGE B2-3	HOW TO ORDER/NOMENCLATURE PAGE B2-8	SELECTION/DIMENSIONS PAGE B2-24	ACCESSORIES PAGE B2-77
--------------------------------	--	------------------------------------	---------------------------

SELECTION/DIMENSIONS



E-Z KLEEN Mounted Bearings GTEZ NORMAL DUTY POLYMER HOUSED 4-BOLT FLANGE BEARINGS

Series	Shaft Size	Weight lbs kg	A	B	C#	D	F Bolt Dia.	H	J	L	Z
204	3/4	0.50	1.48	3.38	1.72	2.50	3/8	0.53	0.59	1.50	1.73
	20mm	0.30	37.6	85.9	43.7	63.5	M10	13.5	15.0	38.1	43.9
205	1	0.90	1.46	3.75	1.70	2.75	3/8	0.54	0.58	1.80	1.72
	25mm	0.30	37.1	95.3	43.2	69.9	M10	13.7	14.7	45.7	43.7
206	1-1/8	1.20	1.61	4.25	1.84	3.25	3/8	0.60	0.64	2.08	1.88
	1-3/16										
	1-1/4										
207	30mm	0.50	40.9	108.0	46.7	82.6	M10	15.2	16.3	52.8	47.8
	1-1/4	1.60	1.62	4.65	1.86	3.63	1/2	0.62	0.63	2.38	1.92
	1-3/8										
208	1-7/16										
	35mm	0.70	41.1	118.1	47.2	92.1	M12	15.7	16.0	60.5	48.8
	40mm	2.00	1.84	5.12	2.12	4.00	1/2	0.67	0.66	2.62	2.12
209	1-1/2										
	45mm	1.00	47.0	136.7	53.8	104.8	M14	18.3	17.5	72.6	54.6
	1-11/16	2.30	1.85	5.38	2.12	4.13	9/16	0.72	0.69	2.86	2.15
210	1-3/4										
	2	2.30	1.86	5.62	2.26	4.38	5/8	0.76	0.70	3.13	2.29
	50mm	1.10	47.2	142.7	57.4	111.2	M16	19.3	17.8	79.5	58.2

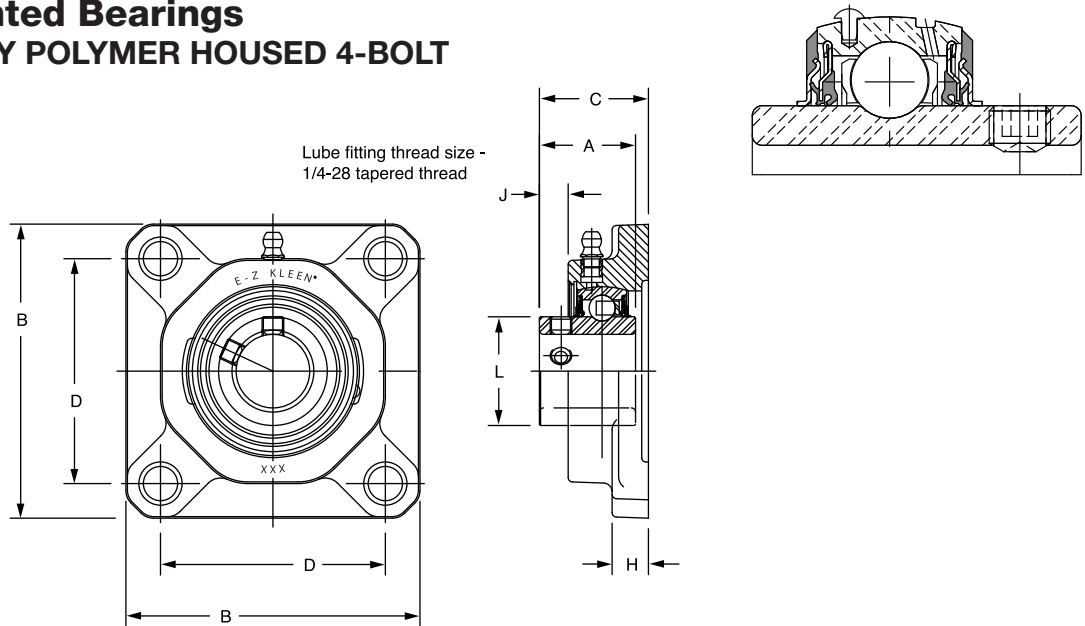
#C dimension will vary slightly depending on true shaft diameter.

FEATURES/BENEFITS PAGE B2-3	HOW TO ORDER/NOMENCLATURE PAGE B2-8	SELECTION/DIMENSIONS PAGE B2-24	ACCESSORIES PAGE B2-77
--------------------------------	--	------------------------------------	---------------------------

SELECTION/DIMENSIONS



E-Z KLEEN Mounted Bearings SCEZ NORMAL DUTY POLYMER HOUSED 4-BOLT FLANGE BEARINGS



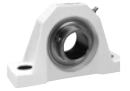
Series	Shaft Size	With Corrosion Resistant Insert		With Insert With Flingers		Weight lbs kg	A	B	C	D	F Bolt Dia.	H	J	L
		Part No.	Description	Part No.	Description									
204	1/2	073224	F4B-SCEZ-008L-PCR*	@	F4B-SCEZ-008L-P	0.59	1.23	3.38	1.46	2.50	3/8	0.53	0.30	1.12
	5/8	@	F4B-SCEZ-010L-PCR*	@	F4B-SCEZ-010L-P	0.57								
	3/4	127515	F4B-SCEZ-012-PCR	056440	F4B-SCEZ-012-P	0.55								
	20mm	127556	F4B-SCEZ-20M-PCR	@	F4B-SCEZ-20M-P	0.27	31.2	85.9	37.0	63.5	M10	13.5	7.6	28.4
205	7/8	068424	F4B-SCEZ-014-PCR*	@	F4B-SCEZ-014-P	0.71	1.34	3.75	1.52	2.75	3/8	0.54	0.36	1.32
	15/16	@	F4B-SCEZ-015-PCR*	@	F4B-SCEZ-015-P	0.69								
	1	127516	F4B-SCEZ-100-PCR	058910	F4B-SCEZ-100-P	0.67								
	25mm	127557	F4B-SCEZ-25M-PCR	@	F4B-SCEZ-25M-P	0.32	34.0	95.3	38.6	69.9	M10	13.7	9.1	33.5
206	1-1/8	068053	F4B-SCEZ-102-PCR*	@	F4B-SCEZ-102-P	0.89	1.52	4.25	1.72	3.25	3/8	0.60	0.45	1.57
	1-3/16	127517	F4B-SCEZ-103-PCR	@	F4B-SCEZ-103-P	0.86								
	1-1/4	127518	F4B-SCEZ-104S-PCR	058594	F4B-SCEZ-104S-P	0.84								
	30mm	127558	F4B-SCEZ-30M-PCR	@	F2B-SCEZ-30M-P	0.39	38.6	108.0	43.7	82.6	M10	15.2	11.4	39.9
207	1-1/4	127519	F4B-SCEZ-104-PCR	074632	F4B-SCEZ-104-P	1.40	1.71	4.65	1.84	3.63	1/2	0.62	0.53	1.84
	1-5/16	@	F4B-SCEZ-105-PCR*	@	F4B-SCEZ-105-P	1.35								
	1-3/8	058294	F4B-SCEZ-106-PCR*	065780	F4B-SCEZ-106-P	1.30								
	1-7/16	127520	F4B-SCEZ-107-PCR	@	F4B-SCEZ-107-P	1.24								
208	35mm	127559	F4B-SCEZ-35M-PCR	@	F4B-SCEZ-35M-P	0.61	43.4	118.1	46.7	92.1	M12	15.7	13.5	46.7
	1-1/2	127521	F4B-SCEZ-108-PCR	058595	F4B-SCEZ-108-P	1.82	1.94	5.12	2.10	4.00	1/2	0.67	0.62	2.05
	1-5/8	062628	F4B-SCEZ-110-PCR*	@	F4B-SCEZ-110-P	1.68								
	40mm	127560	F4B-SCEZ-40M-PCR	@	F4B-SCEZ-40M-P	0.76	49.3	130.0	53.3	101.6	M12	17.0	15.7	52.1
209	1-5/8	@	F4B-SCEZ-110L-PCR*	@	F4B-SCEZ-110L-P	2.09	1.94	5.38	2.10	4.13	9/16	0.72	0.62	2.22
	1-11/16	127522	F4B-SCEZ-111-PCR	@	F4B-SCEZ-111-P	2.00								
	1-3/4	057907	F4B-SCEZ-112-PCR*	@	F4B-SCEZ-112-P	1.93								
	45mm	127561	F4B-SCEZ-45M-PCR	@	F4B-SCEZ-45M-P	0.88	49.3	136.7	53.3	104.8	M14	18.3	15.7	56.4
210	1-15/16	127523	F4B-SCEZ-115-PCR	@	F4B-SCEZ-115-P	2.12	1.94	5.62	2.24	4.38	5/8	0.76	0.63	2.43
	2	057899	F4B-SCEZ-200-PCR	@	F4B-SCEZ-200-P	2.03								
	50mm	127562	F4B-SCEZ-50M-PCR	@	F4B-SCEZ-50M-P	0.96	49.3	142.7	56.9	111.2	M16	19.3	16.0	61.7

@ Assembled to order

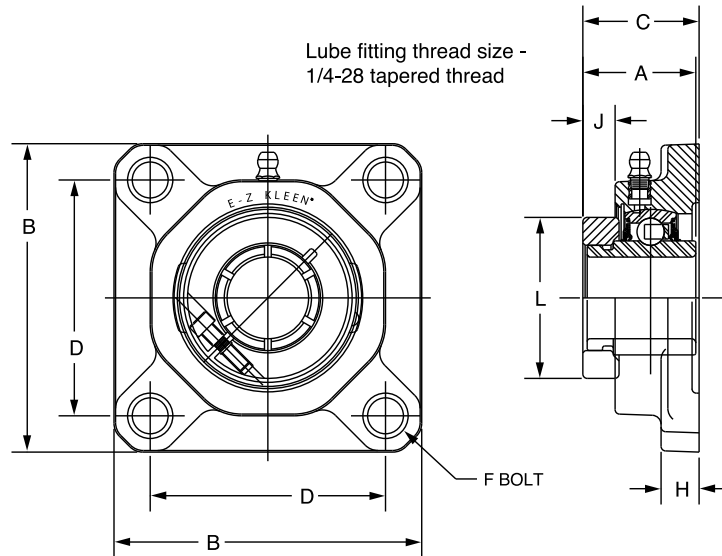
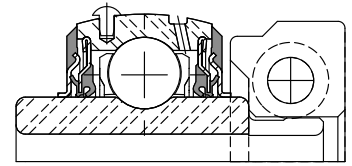
* 20 piece minimum

FEATURES/BENEFITS PAGE B2-3	HOW TO ORDER/NOMENCLATURE PAGE B2-8	SELECTION/DIMENSIONS PAGE B2-24	ACCESSORIES PAGE B2-77
--------------------------------	--	------------------------------------	---------------------------

SELECTION/DIMENSIONS



E-Z KLEEN Mounted Bearings DLEZ NORMAL DUTY POLYMER HOUSED 4-BOLT FLANGE BEARINGS



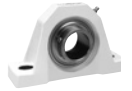
Series	Shaft Size	With Corrosion Resistant Insert		Standard Insert With Flingers		Weight lbs kg	A	B	C	D	F Bolt Dia.	H	J	L
		Part No.	Description	Part No.	Description									
204	3/4	127593	F4B-DLEZ-012-PCR	@	F4B-DLEZ-012-P	0.50	1.28	3.38	1.49	2.50	3/8	0.53	0.37	1.71
	20mm	127634	F4B-DLEZ-20M-PCR	@	F4B-DLEZ-20M-P	0.30	32.5	85.9	37.8	63.5	M10	13.5	9.4	43.4
205	7/8	@	F4B-DLEZ-014-PCR*	@	F4B-DLEZ-014-P	0.90	1.44	3.75	1.60	2.75	3/8	0.54	0.46	1.99
	15/16	@	F4B-DLEZ-015-PCR*	@	F4B-DLEZ-015-P	0.80								
	1	127594	F4B-DLEZ-100-PCR	@	F4B-DLEZ-100-P	0.70								
	25mm	127635	F4B-DLEZ-25M-PCR	@	F4B-DLEZ-25M-P	0.30	36.6	95.3	40.6	69.9	M10	13.7	11.7	50.5
206	1-1/8	@	F4B-DLEZ-102-PCR*	@	F4B-DLEZ-102-P	1.20	1.56	4.25	1.73	3.25	3/8	0.60	0.49	2.22
	1-3/16	127595	F4B-DLEZ-103-PCR	@	F4B-DLEZ-103-P	1.10								
	1-1/4	127596	F4B-DLEZ-104S-PCR	@	F4B-DLEZ-104S-P	1.10								
	30mm	127636	F4B-DLEZ-30M-PCR	@	F4B-DLEZ-30M-P	0.50	39.6	108.0	43.9	82.6	M10	15.2	12.4	56.4
207	1-1/4	127597	F4B-DLEZ-104-PCR	@	F4B-DLEZ-104-P	1.60	1.75	4.65	1.86	3.63	1/2	0.62	0.58	2.69
	1-3/8	@	F4B-DLEZ-106-PCR*	@	F4B-DLEZ-106-P	1.50								
	1-7/16	127598	F4B-DLEZ-107-PCR	@	F4B-DLEZ-107-P	1.40								
	35mm	127637	F4B-DLEZ-35M-PCR	@	F4B-DLEZ-35M-P	0.70	44.5	118.1	47.2	92.1	M12	15.7	14.7	68.3
208	1-1/2	127599	F4B-DLEZ-108-PCR	@	F4B-DLEZ-108-P	2.00	2.01	5.12	2.15	4.00	1/2	0.67	0.70	2.74
	40mm	127638	F4B-DLEZ-40M-PCR	@	F4B-DLEZ-40M-P	0.90	51.1	130.0	54.6	101.6	M12	17.0	17.8	69.6
209	1-5/8	@	F4B-DLEZ-110L-PCR*	@	F4B-DLEZ-110L-P	2.30	2.01	5.38	2.15	4.13	9/16	0.72	0.69	2.99
	1-11/16	127600	F4B-DLEZ-111-PCR	@	F4B-DLEZ-111-P	2.20								
	1-3/4	@	F4B-DLEZ-112-PCR*	@	F4B-DLEZ-112-P	2.10								
	45mm	127639	F4B-DLEZ-45M-PCR	@	F4B-DLEZ-45M-P	1.00	51.1	136.7	54.6	104.8	M14	18.3	17.5	75.9
210	1-15/16	127601	F4B-DLEZ-115-PCR	@	F4B-DLEZ-115-P	2.30	2.01	5.62	2.29	4.38	5/8	0.76	0.70	3.24
	2	058514	F4B-DLEZ-200-PCR*	@	F4B-DLEZ-200-P	2.20								
	50mm	127640	F4B-DLEZ-50M-PCR	@	F4B-DLEZ-50M-P	1.10	51.1	142.7	58.2	111.2	M16	19.3	17.8	82.3

@ Assembled to order

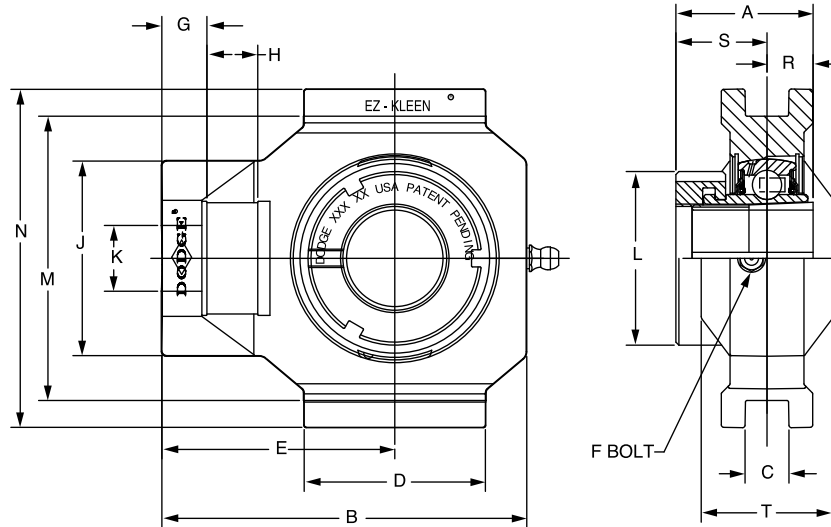
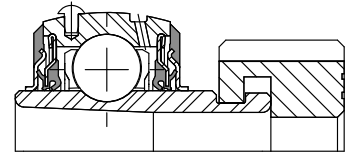
* 20 piece minimum

FEATURES/BENEFITS PAGE B2-3	HOW TO ORDER/NOMENCLATURE PAGE B2-8	SELECTION/DIMENSIONS PAGE B2-24	ACCESSORIES PAGE B2-77
--------------------------------	--	------------------------------------	---------------------------

SELECTION/DIMENSIONS



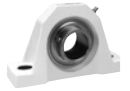
E-Z KLEEN Mounted Bearings GTEZ NORMAL DUTY POLYMER HOUSED WIDE SLOT TAKE-UP BEARINGS



Series	Shaft Size	With Corrosion Resistant Insert		Unit without Adapter & Nut		Adapter & Nut Assembly	
		Part No.	Description	Part No.	Description	Part No.	Description
204	3/4 20mm	136315	WSTU-GTEZ-012-PCR	136327	WSTU-GTEZ-04-PCR	129967	AN-GT-04-012-CR
		136323	WSTU-GTEZ-20M-PCR			129980	AN-GT-04-20M-CR
205	1 25mm	136316	WSTU-GTEZ-100-PCR	136328	WSTU-GTEZ-05-PCR	129968	AN-GT-05-100-CR
		136324	WSTU-GTEZ-25M-PCR			129981	AN-GT-05-25M-CR
206	1-1/8	136317	WSTU-GTEZ-102-PCR	136329	WSTU-GTEZ-06-PCR	129969	AN-GT-06-102-CR
	1-3/16	136318	WSTU-GTEZ-103-PCR			129970	AN-GT-06-103-CR
	1-1/4	136319	WSTU-GTEZ-104S-PCR			129971	AN-GT-06-104S-CR
	30mm	136325	WSTU-GTEZ-30M-PCR			129982	AN-GT-06-30M-CR
207	1-1/4	136320	WSTU-GTEZ-104-PCR	136330	WSTU-GTEZ-07-PCR	129972	AN-GT-07-104-CR
	1-3/8	136321	WSTU-GTEZ-106-PCR			129973	AN-GT-07-106-CR
	1-7/16	136322	WSTU-GTEZ-107-PCR			129974	AN-GT-07-107-CR
	35mm	136326	WSTU-GTEZ-35M-PCR			129983	AN-GT-07-35M-CR

FEATURES/BENEFITS PAGE B2-3	HOW TO ORDER/NOMENCLATURE PAGE B2-8	SELECTION/DIMENSIONS PAGE B2-24	ACCESSORIES PAGE B2-77
--------------------------------	--	------------------------------------	---------------------------

SELECTION/DIMENSIONS



E-Z KLEEN Mounted Bearings GTEZ NORMAL DUTY POLYMER HOUSED WIDE SLOT TAKE-UP BEARINGS

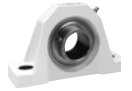
Bearing Reference Guide
 ULTRA KLEEN
 E-Z KLEEN
 Extreme Duty
 Setscrew Ball Bearing
 GRIP TIGHT
 D-LOK Ball Bearing

Series	Shaft Size	Weight lbs kg	Take-Up Frame No. Ref.	A	B	C	D	E	F Thd Shaft	G	H
204	3/4	0.90	WS300	1.48	3.81	0.530	2.10	2.50	5/8	0.56	0.65
	20mm	0.40		37.6	96.8	13.46	53.3	63.5	15.9	14.2	16.5
205	1	1.20	WS300	1.46	3.97	0.530	2.20	2.56	5/8	0.56	0.65
	25mm	0.50		37.1	100.8	13.46	55.9	65.0	15.9	14.2	16.5
206	1-1/8	1.80	WS308	1.61	4.49	0.530	2.29	2.86	3/4	0.56	0.65
	1-3/16	1.70									
	1-1/4	1.60									
	30mm	0.80		40.9	114.0	13.46	58.2	72.6	19.1	14.2	16.5
207	1-1/4	2.40	WS308	1.62	4.99	0.530	2.25	3.10	3/4	0.56	0.65
	1-3/8	2.30									
	1-7/16	2.30									
	35mm	1.08		41.1	126.7	13.46	57.2	78.7	19.1	14.2	16.5

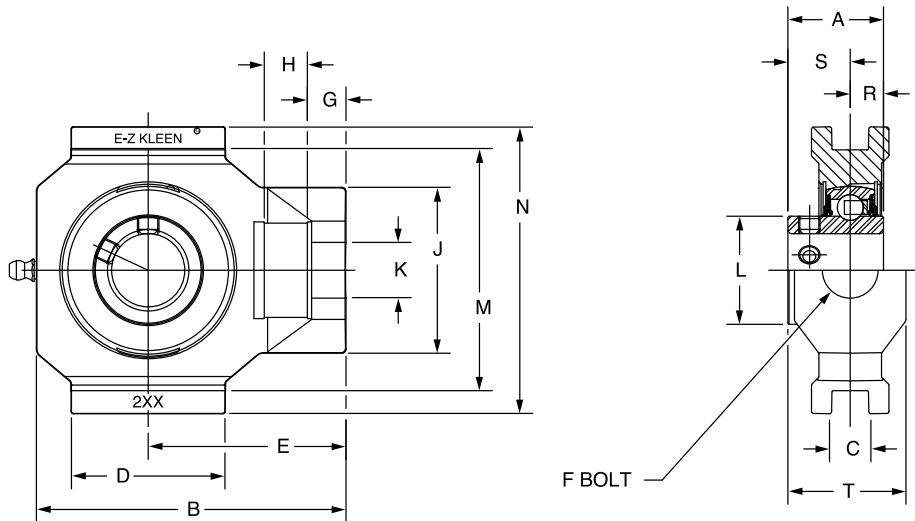
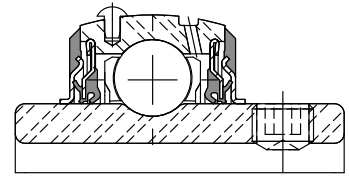
Series	Shaft Size	J	K	L	M	N	R	S	T	Z
204	3/4	2.10	0.71	1.50	3.015/2.985	3.63	0.46	1.02	1.38	1.73
	20mm	53.3	18.0	38.1	76.58/75.82	92.2	11.7	25.9	35.1	43.9
205	1	2.12	0.71	1.80	3.030/3.000	3.63	0.48	0.98	1.38	1.72
	25mm	53.8	18.0	45.7	76.96/76.20	92.2	12.2	24.9	35.1	43.7
206	1-1/8	2.41	0.81	2.08	3.525/3.495	4.20	0.52	1.09	1.62	1.88
	1-3/16									
	1-1/4									
	30mm	61.2	20.6	52.8	89.54/88.77	106.7	13.2	27.7	41.1	47.8
207	1-1/4	2.41	0.81	2.38	3.540/3.510	4.20	0.54	1.08	1.62	1.92
	1-3/8									
	1-7/16									
	35mm	61.2	20.6	60.5	89.93/89.15	106.7	13.7	27.4	41.1	48.8

FEATURES/BENEFITS PAGE B2-3	HOW TO ORDER/NOMENCLATURE PAGE B2-8	SELECTION/DIMENSIONS PAGE B2-24	ACCESSORIES PAGE B2-77
--------------------------------	--	------------------------------------	---------------------------

SELECTION/DIMENSIONS



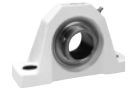
E-Z KLEEN Mounted Bearings SCEZ NORMAL DUTY POLYMER HOUSED WIDE SLOT TAKE-UP BEARINGS



Series	Shaft Size	With Corrosion Resistant Insert		Standard Insert With Fingers	
		Part No.	Description	Part No.	Description
204	1/2	@	WSTU-SCEZ-008L-PCR*	@	WSTU-SCEZ-008L-P
	5/8	@	WSTU-SCEZ-010L-PCR*	@	WSTU-SCEZ-010L-P
	3/4	127539	WSTU-SCEZ-012-PCR	@	WSTU-SCEZ-012-P
	20mm	127574	WSTU-SCEZ-20M-PCR	@	WSTU-SCEZ-20M-P
205	7/8	@	WSTU-SCEZ-014-PCR*	@	WSTU-SCEZ-014-P
	15/16	@	WSTU-SCEZ-015-PCR*	@	WSTU-SCEZ-015-P
	1	127540	WSTU-SCEZ-100-PCR	058940	WSTU-SCEZ-100-P
	25mm	127575	WSTU-SCEZ-25M-PCR	@	WSTU-SCEZ-25M-P
206	1-1/8	@	WSTU-SCEZ-102-PCR*	@	WSTU-SCEZ-102-P
	1-3/16	127541	WSTU-SCEZ-103-PCR	@	WSTU-SCEZ-103-P
	1-1/4	127542	WSTU-SCEZ-104S-PCR	@	WSTU-SCEZ-104S-P
	30mm	127576	WSTU-SCEZ-30M-PCR	@	WSTU-SCEZ-30M-P
207	1-1/4	127543	WSTU-SCEZ-104-PCR	@	WSTU-SCEZ-104-P
	1-5/16	@	WSTU-SCEZ-105-PCR*	@	WSTU-SCEZ-105-P
	1-3/8	@	WSTU-SCEZ-106-PCR*	073836	WSTU-SCEZ-106-P
	1-7/16	127544	WSTU-SCEZ-107-PCR	@	WSTU-SCEZ-107-P
	35mm	127577	WSTU-SCEZ-35M-PCR	@	WSTU-SCEZ-35M-P

FEATURES/BENEFITS PAGE B2-3	HOW TO ORDER/NOMENCLATURE PAGE B2-8	SELECTION/DIMENSIONS PAGE B2-24	ACCESSORIES PAGE B2-77
--------------------------------	--	------------------------------------	---------------------------

SELECTION/DIMENSIONS



E-Z KLEEN Mounted Bearings SCEZ NORMAL DUTY POLYMER HOUSED WIDE SLOT TAKE-UP BEARINGS

Bearing Reference Guide

ULTRA KLEEN

E-Z KLEEN

Extreme Duty

Setscrew Ball Bearing

GRIP TIGHT

D-LOK Ball Bearing

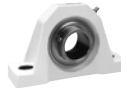
Series	Shaft Size	Weight lbs kg	Take-up Frame No.	A	B	C	D	E	F Thd Shaft	G
204	1/2	0.86	WS300	1.23	3.81	0.545/0.515	2.10	2.50	5/8	0.56
	5/8	0.76								
	3/4	0.66								
	20mm	0.31								
205	7/8	0.92	WS300	1.34	3.97	0.545/0.515	2.20	2.56	5/8	0.56
	15/16	0.82								
	1	0.72								
	25mm	0.34								
206	1-1/8	1.11	WS308	1.52	4.49	0.545/0.515	2.29	2.86	3/4	0.56
	1-3/16	1.09								
	1-1/4	1.07								
	30mm	0.49								
207	1-1/4	1.58	WS308	1.71	4.99	0.545/0.515	2.25	3.10	3/4	0.56
	1-5/16	1.52								
	1-3/8	1.47								
	1-7/16	1.42								
	35mm	0.69		43.4	126.7	13.84/13.08	57.2	78.7	19.1	14.2

Series	Shaft Size	H	J	K	L	M	N	R	S	T
204	1/2	0.65	2.10	0.71	1.12	3.015/2.985	3.63	0.50	0.73	1.38
	5/8									
	3/4									
	20mm									
205	7/8	0.65	2.12	0.71	1.32	3.030/3.000	3.63	0.56	0.78	1.38
	15/16									
	1									
	25mm									
206	1-1/8	0.65	2.41	0.81	1.57	3.525/3.495	4.20	0.58	0.94	1.62
	1-3/16									
	1-1/4									
	30mm									
207	1-1/4	0.65	2.41	0.81	1.84	3.540/3.510	4.20	0.67	1.04	1.62
	1-5/16									
	1-3/8									
	1-7/16									
	35mm	16.5	61.2	20.6	46.7	89.93/89.15	106.7	17.0	26.4	41.1

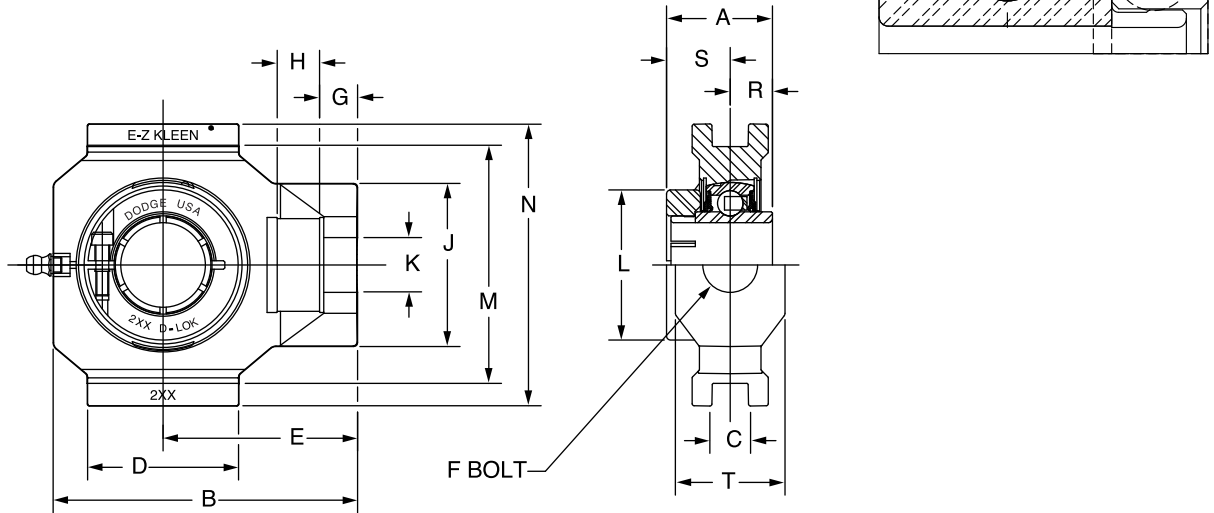
@ Assembled to order * 20 piece minimum

FEATURES/BENEFITS PAGE B2-3	HOW TO ORDER/NOMENCLATURE PAGE B2-8	SELECTION/DIMENSIONS PAGE B2-24	ACCESSORIES PAGE B2-77
--------------------------------	--	------------------------------------	---------------------------

SELECTION/DIMENSIONS



E-Z KLEEN Mounted Bearings DLEZ NORMAL DUTY POLYMER HOUSED WIDE SLOT TAKE-UP BEARINGS



Series	Shaft Size	With Corrosion Resistant Insert		Standard Insert With Flingers		Weight lbs kg	Take-Up Frame No. Ref.	A	B	C	D	E
		Part No.	Description	Part No.	Description							
204	3/4 20mm	127617	WSTU-DLEZ-012-PCR	@	WSTU-DLEZ-012-P	0.66	WS300	1.28 32.5	3.81 96.8	0.530 13.46	2.10 53.3	2.50 63.5
		127652	WSTU-DLEZ-20M-PCR	@	WSTU-DLEZ-20M-P	0.31						
205	7/8 15/16 1 25mm	@	WSTU-DLEZ-014-PCR*	@	WSTU-DLEZ-014-P	0.92	WS300	1.44	3.97	0.530	2.20	2.56
		@	WSTU-DLEZ-015-PCR*	@	WSTU-DLEZ-015-P	0.82						
		127618	WSTU-DLEZ-100-PCR	@	WSTU-DLEZ-100-P	0.72						
		127653	WSTU-DLEZ-25M-PCR	@	WSTU-DLEZ-25M-P	0.34						
206	1-1/8 1-3/16 1-1/4 30mm	@	WSTU-DLEZ-102-PCR*	@	WSTU-DLEZ-102-P	1.11	WS308	1.56	4.49	0.530	2.29	2.86
		127619	WSTU-DLEZ-103-PCR	@	WSTU-DLEZ-103-P	1.09						
		127620	WSTU-DLEZ-104S-PCR	@	WSTU-DLEZ-104S-P	1.07						
		127654	WSTU-DLEZ-30M-PCR	@	WSTU-DLEZ-30M-P	0.49						
207	1-1/4 1-3/8 1-7/16 35mm	127621	WSTU-DLEZ-104-PCR	@	WSTU-DLEZ-104-P	1.58	WS308	1.75	4.99	0.530	2.25	3.10
		@	WSTU-DLEZ-106-PCR*	@	WSTU-DLEZ-106-P	1.47						
		127622	WSTU-DLEZ-107-PCR	@	WSTU-DLEZ-107-P	1.42						
		127655	WSTU-DLEZ-35M-PCR	@	WSTU-DLEZ-35M-P	0.69						

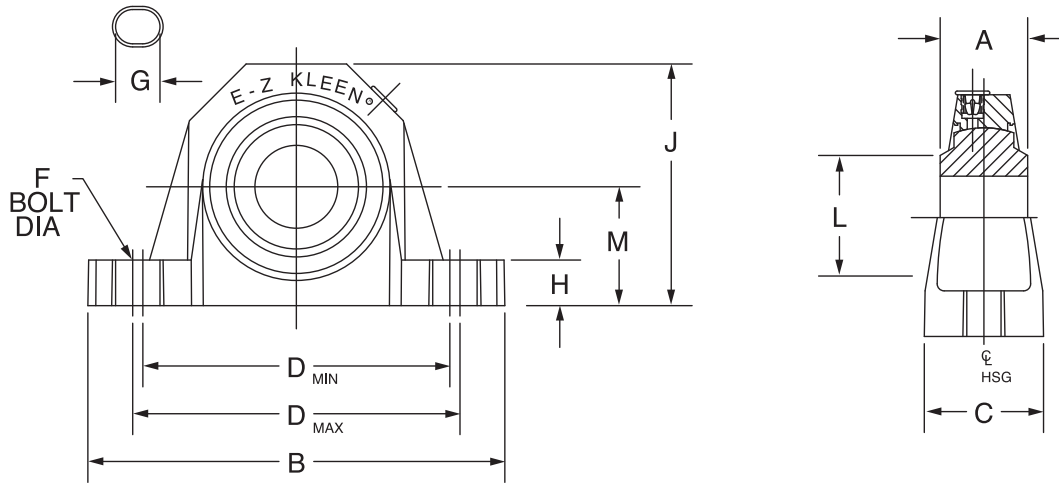
@ Assembled to order

Series	Shaft Size	F Thd Shaft	G	H	J	K	L	M	N	R	S	T
204	3/4 20mm	5/8	0.56	0.65	2.10	0.71	1.71	3.015/2.985	3.63	0.50	0.78	1.38
		15.9	14.2	16.5	53.3	18.0	43.4	76.58/75.82	92.2	12.7	19.8	35.1
205	7/8 15/16 1 25mm	5/8	0.56	0.65	2.12	0.71	1.99	3.030/3.000	3.63	0.56	0.88	1.38
		15.9	14.2	16.5	53.8	18.0	50.5	76.96/76.20	92.2	14.2	22.4	35.1
206	1-1/8 1-3/16 1-1/4 30mm	3/4	0.56	0.65	2.41	0.81	2.22	3.525/3.495	4.20	0.58	0.98	1.62
		19.1	14.2	16.5	61.2	20.6	56.4	89.54/88.77	106.7	14.7	24.9	41.1
		3/4	0.56	0.65	2.41	0.81	2.69	3.540/3.510	4.20	0.67	1.08	1.62
207	1-1/4 1-3/8 1-7/16 35mm	3/4	0.56	0.65	2.41	0.81	2.69	3.540/3.510	4.20	0.67	1.08	1.62
		19.1	14.2	16.5	61.2	20.6	68.3	89.93/89.15	106.7	17.0	27.4	41.1

FEATURES/BENEFITS PAGE B2-3	HOW TO ORDER/NOMENCLATURE PAGE B2-8	SELECTION/DIMENSIONS PAGE B2-24	ACCESSORIES PAGE B2-77
--------------------------------	--	------------------------------------	---------------------------



E-Z KLEEN Mounted Bearings PSEZ POLYMER SLEEVE, POLYMER HOUSED PILLOW BLOCKS



Series	Shaft Size	Part No.	Description
204	3/4	034700	P2B-PSEZ-012-P
	20mm	034748	P2B-PSEZ-20M-P
205	1	034701	P2B-PSEZ-100-P
	25mm	034749	P2B-PSEZ-25M-P
206 (PSU)	1-3/16	034702	P2B-PSUEZ-103-P
	1-1/4	034703	P2B-PSUEZ-104S-P
	30mm	034750	P2B-PSUEZ-30M-P
207	1-1/4	034704	P2B-PSEZ-104-P
	1-7/16	034705	P2B-PSEZ-107-P
	35mm	034751	P2B-PSEZ-35M-P
208 (PSB)	1-1/2	034706	P2B-PSBEZ-108-P
	40mm	034752	P2B-PSBEZ-40M-P
210	1-15/16	034709	P2B-PSEZ-115-P
	50mm	034754	P2B-PSEZ-50M-P

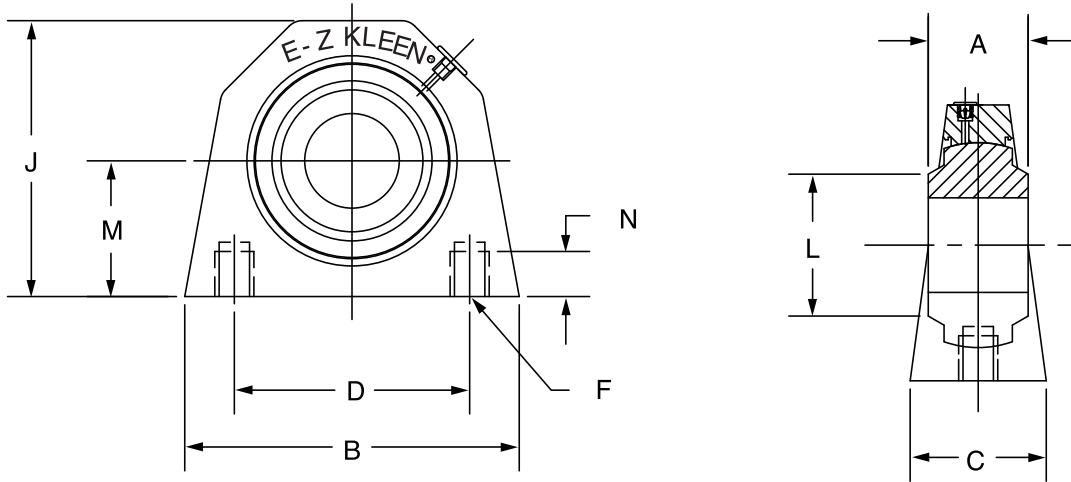
Series	Shaft Size	Weight lb. kg	A	B	C	D		F Bolt Dia	G	H	J	L	M
						Min	Max						
204	3/4	0.57	1	5-1/32	1-31/64	3-31/64	3-59/64	3/8	19/32	39/64	2-5/8	1-5/16	1-5/16
	20mm	0.26	25.4	127.8	37.7	93.3	99.6	M10	15.1	15.5	66.7	33.3	33.3
205	1	0.57	1-1/16	5-1/2	1-31/64	3-31/32	4-13/64	3/8	19/32	39/64	2-55/64	1-7/16	1-7/16
	25mm	0.26	27.0	139.7	37.7	100.8	106.8	M10	15.1	15.5	72.6	36.5	36.5
206 (PSU)	1-3/16	0.89	1-3/16	6-5/16	1-25/32	4-39/64	4-57/64	1/2	23/32	45/64	3-11/32	1-11/16	1-11/16
	1-1/4	0.88											
	30mm	0.4	30.2	160.3	45.2	116.9	124.2	M12	18.3	17.9	84.9	42.9	42.9
207	1-1/4	1.06	1-5/16	6-35/64	1-7/8	4-13/16	5-1/8	1/2	23/32	23/32	3-57/64	2	1-7/8
	1-7/16	1.01											
	35mm	0.48	33.3	166.3	47.8	122.2	130.2	M12	18.3	18.3	98.8	50.8	47.6
208 (PSB)	1-1/2	1.27	1-1/2	7-13/64	2-7/64	5-7/64	5-41/64	1/2	7/8	49/64	4-11/64	2	1-15/16
	40mm	0.58	38.1	183.0	53.6	129.6	143.3	M12	22.2	19.4	106.0	50.8	49.2
210	1-15/16	1.67	1-5/8	8-1/16	2-23/64	6	6-9/16	5/8	1.00	59/64	4-9/16	2-9/16	2-1/4
	50mm	0.76	41.3	204.8	59.9	152.4	166.7	M16	25.4	23.4	115.9	65.1	57.2

FEATURES/BENEFITS PAGE B2-3	HOW TO ORDER/NOMENCLATURE PAGE B2-8	SELECTION/DIMENSIONS PAGE B2-24	ACCESSORIES PAGE B2-77
--------------------------------	--	------------------------------------	---------------------------



SELECTION/DIMENSIONS

E-Z KLEEN Mounted Bearings PSEZ POLYMER SLEEVE POLYMER HOUSED TAPPED BASE PILLOW BLOCKS



Series	Shaft Size	Part No.	Description
204	3/4	034710	TB-PSEZ-012-P
	20mm	034755	TB-PSEZ-20M-P*
205	1	034711	TB-PSEZ-100-P
	25mm	034756	TB-PSEZ-25M-P*
206	1-3/16	034712	TB-PSEZ-103-P
	1-1/4	034713	TB-PSEZ-104S-P
	30mm	034757	TB-PSEZ-30M-P*
207	1-1/4	034714	TB-PSEZ-104-P
	1-7/16	034715	TB-PSEZ-107-P
	35mm	034758	TB-PSEZ-35M-P*

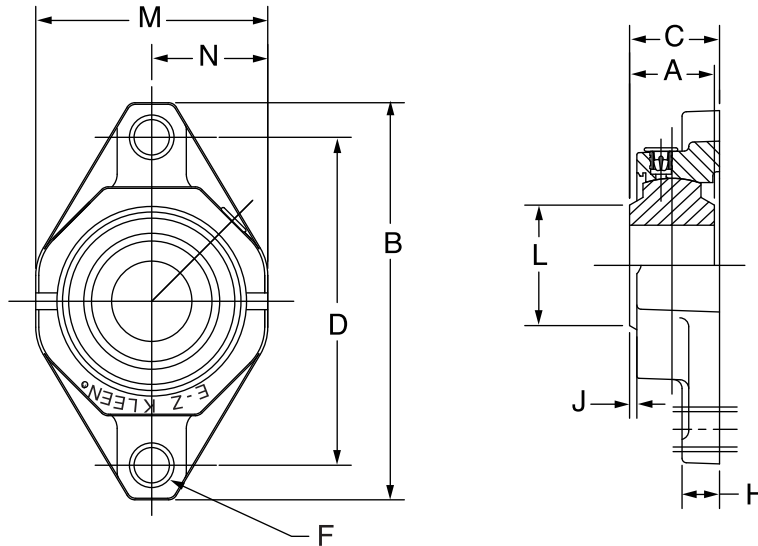
* Made to Order

Series	Shaft Size	Weight lbs kg	A	B	C	D	J	L	M	N Thread Depth	R Bolt Hole Threads
204	3/4	0.53	1	3-1/4	1-31/64	2	2-21/32	1-5/16	1-5/16	13/32	3/8-16
	20mm	0.24	25.4	82.6	37.7	50.8	67.6	33.3	33.3	10.2	M10x1.5
205	1	0.46	1-1/16	3-1/4	1-1/2	2	2-57/64	1-7/16	1-7/16	13/32	3/8-16
	25mm	0.21	27.0	82.6	38.1	50.8	73.3	36.5	36.5	10.2	M10x1.5
206	1-3/16	0.85	1-3/16	4-3/8	1-37/64	3	3-3/8	1-11/16	1-11/16	29/64	7/16-14
	1-1/4	0.84									
	30mm	0.39	30.2	111.1	40.1	76.2	85.9	42.9	42.9	11.4	M10x1.5
207	1-1/4	1.02	1-5/16	4-5/8	1-57/64	3-1/4	3-13/16	2	1-7/8	35/64	1/2-13
	1-7/16	0.97									
	35mm	0.46	33.3	117.5	48	82.6	96.8	50.8	47.6	14.0	M12x1.75

* Made to order



E-Z KLEEN Mounted Bearings PSEZ POLYMER SLEEVE POLYMER HOUSED 2-BOLT FLANGE BEARINGS



Series	Shaft Size	Part No.	Description
204	3/4	034726	F2B-PSEZ-012-P
	20mm	034766	F2B-PSEZ-20M-P
205	1	034727	F2B-PSEZ-100-P
	25mm	034767	F2B-PSEZ-25M-P
206	1-3/6	034728	F2B-PSEZ-103-P
	1-1/4	034729	F2B-PSEZ-104S-P
207	30mm	034768	F2B-PSEZ-30M-P
	1-1/4	034730	F2B-PSEZ-104-P
208	1-7/16	034731	F2B-PSEZ-107-P
	35mm	034769	F2B-PSEZ-35M-P
210	1-1/2	034732	F2B-PSEZ-108-P
	40mm	034770	F2B-PSEZ-40M-P
210	1-15/16	034735	F2B-PSEZ-115-P
	50mm	034772	F28-PSEZ-50M-P

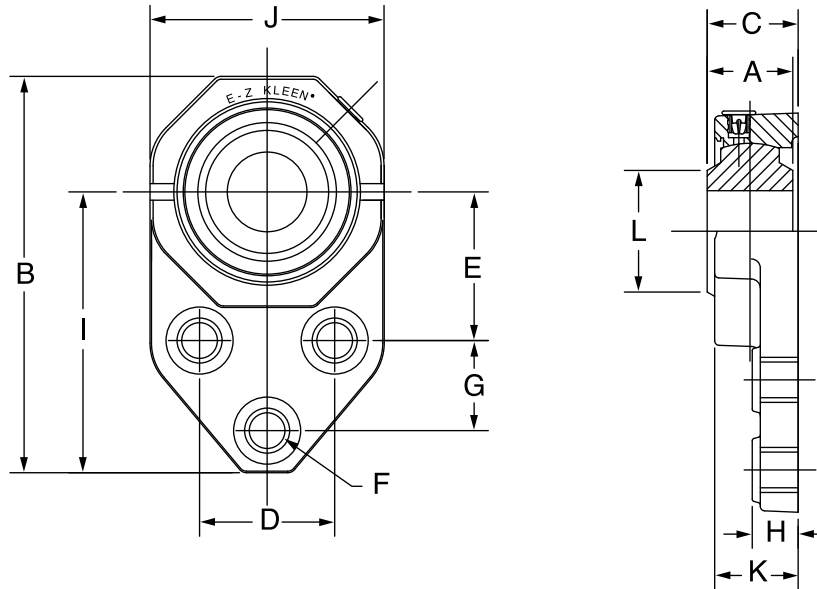
Series	Shaft Size	Weight lb. kg	A	B	C	D	F Bolt Dia	H	J	L	M
204	3/4	0.42	1	4-29/64	1-3/16	3-17/32	3/8	17/32	5/64	1-5/16	2-23/64
	20mm	0.19	25.4	113.0	30.4	90.0	M10	13.5	1.9	33.3	59.9
205	1	0.46	1-1/16	4-59/64	1-1/4	3-57/64	3/8	35/64	1/8	1-7/16	2-23/64
	25mm	0.21	27.0	125.0	31.5	99.0	M10	13.9	2.6	36.5	69.1
206	1-3/6	0.62	1-3/16	5-19/32	1-11/32	4-19/32	3/8	35/64	7/64	1-11/16	3-13/64
	1-1/4	0.61	30.2	142.1	34.1	116.5	M10	13.9	2.6	42.9	81.4
207	1-1/4	0.78	1-5/16	6-5/16	1-27/64	5-1/8	1/2	5/8	9/64	2	3-45/64
	1-7/16	0.73	33.3	160.3	36.2	130.0	M12	15.9	3.7	50.8	94.1
208	1-1/2	1.01	1-1/2	6-25/32	1-5/8	5-21/32	1/2	43/64	1/4	2	4-1/16
	40mm	0.46	38.1	172.0	41.4	143.5	M12	17.1	4.6	50.8	103.1
210	1-15/16	1.14	1-5/8	7-31/64	1-53/64	6-3/16	5/8	49/64	1/4	2-9/16	4-1/2
	50mm	0.52	41.3	19.1	46.5	157.0	M16	19.4	6.2	65.1	114.3

FEATURES/BENEFITS PAGE B2-3	HOW TO ORDER/NOMENCLATURE PAGE B2-8	SELECTION/DIMENSIONS PAGE B2-24	ACCESSORIES PAGE B2-77
--------------------------------	--	------------------------------------	---------------------------

SELECTION/DIMENSIONS



E-Z KLEEN Mounted Bearings PSEZ POLYMER SLEEVE POLYMER HOUSED 3-BOLT FLANGE BRACKET



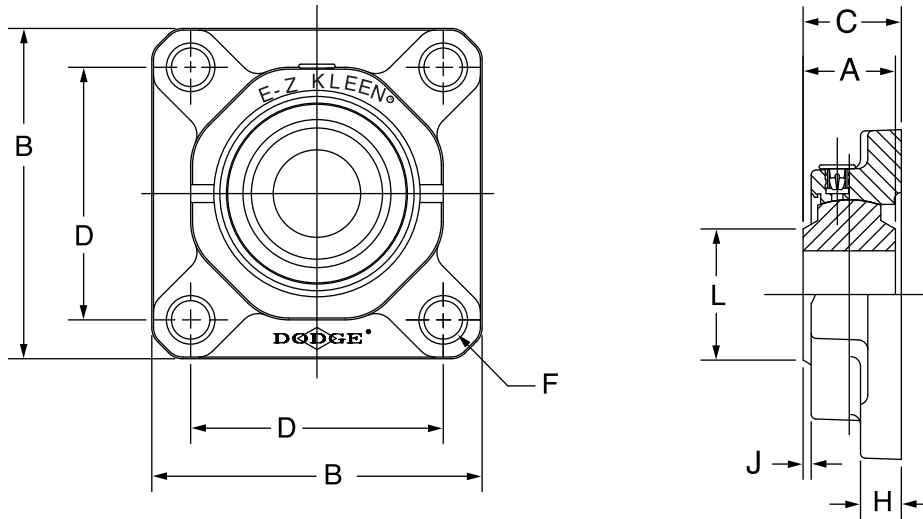
Series	Shaft Size	Part No.	Description
204	3/4	034736	FB-PSEZ-012-P
	20mm	034773	FB-PSEZ-20M-P
205	1	034737	FB-PSEZ-100-P
	25mm	034774	FB-PSEZ-25M-P
206	1-3/16	034738	FB-PSEZ-103-P
	1-1/4	034739	FB-PSEZ-104S-P
	30mm	034775	FB-PSEZ-30M-P
207	1-1/4	034740	FB-PSEZ-104-P
	1-7/16	034741	FB-PSEZ-107-P
	35mm	034776	FB-PSEZ-35M-P

Series	Shaft Size	Weight lbs kg	A	B	C	D	E	F	G	H	I	J	K	L
204	3/4	0.4	1	4-25/64	1-3/16	1-1/2	1-11/16	3/8	7/8	17/32	3-3/16	2-11/32	1-1/8	1-5/16
	20mm	0.18	25.4	111.5	12.7	38.1	42.9	M10	22.2	13.5	81.1	59.4	28.4	33.3
205	1	0.57	1-1/16	4-29/32	1-1/4	1-5/8	1-13/16	3/8	1-1/8	35/64	3-17/32	2-45/64	1-9/64	1-7/16
	25mm	0.23	27	124.7	31.5	41.3	46.1	M10	28.6	13.9	89.8	68.8	29	36.5
206	1-3/16	0.83	1-3/16	5-31/64	1-11/32	1-7/8	2-1/16	3/8	1-1/4	39/64	3-57/64	3-13/64	1-1/4	1-11/16
	1-1/4	0.82												
	30mm	0.38	30.2	139.2	34.1	47.6	52.4	M10	31.7	15.5	98.6	81.3	31.8	42.9
207	1-1/4	1.25	1-5/16	6-7/64	1-27/64	2	2-3/8	1/2	1-1/4	5/8	4-15/64	3-45/64	1-9/32	2
	1-7/16	1.2												
	35mm	0.57	33.3	155.2	36.2	50.8	60.3	M12	31.7	15.9	107.6	94.1	32.5	50.8

FEATURES/BENEFITS PAGE B2-3	HOW TO ORDER/NOMENCLATURE PAGE B2-8	SELECTION/DIMENSIONS PAGE B2-24	ACCESSORIES PAGE B2-77
--------------------------------	--	------------------------------------	---------------------------



E-Z KLEEN Mounted Bearings PSEZ POLYMER SLEEVE POLYMER HOUSED 4-BOLT FLANGE BEARINGS

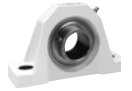


Series	Shaft Size	Part No.	Description
204	3/4	034716	F4B-PSEZ-012-P
	20mm	034759	F4B-PSEZ-20M-P
205	1	034717	F4B-PSEZ-100-P
	25mm	034760	F4B-PSEZ-25M-P
206	1-3/16	034718	F4B-PSEZ-103-P
	1-1/4	034719	F4B-PSEZ-104S-P
	30mm	034761	F4B-PSEZ-30M-P
207	1-1/4	034720	F4B-PSEZ-104-P
	1-7/16	034721	F4B-PSEZ-107-P
	35mm	034762	F4B-PSEZ-35M-P
208	1-1/2	034722	F4B-PSEZ-108-P
	40mm	034763	F4B-PSEZ-40M-P
210	1-15/16	034725	F4B-PSEZ-115-P
	50mm	034765	F4B-PSEZ-50M-P

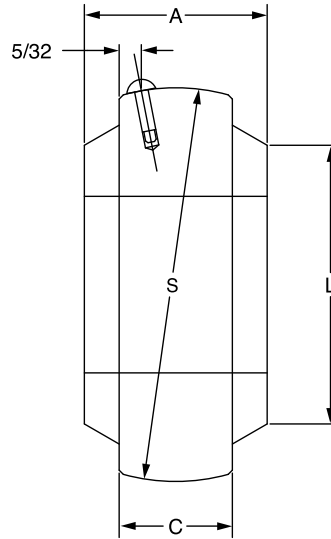
Series	Shaft Size	Weight lbs kg	A	B	C	D	F Bolt Dia	H	J	L
204	3/4	0.48	1	3-3/8	1-7/32	2-1/2	3/8	17/32	5/64	1-5/16
	20mm	0.22	25.4	85.9	31.1	63.5	M10	13.5	1.9	33.3
205	1	0.55	1-1/16	3-3/4	1-17/64	2-3/4	3/8	35/64	1/8	1-7/16
	25mm	0.25	27	95.3	32.3	70.0	M10	13.9	2.6	36.5
206	1-3/16	0.89	1-3/16	4-1/4	1-3/8	3-1/4	3/8	39/64	7/64	1-11/16
	1-1/4	0.88								
	30mm	0.40	30.2	108.0	34.9	82.5	M10	15.5	2.6	42.9
207	1-1/4	0.97	1-5/16	4-21/32	1-29/64	3-5/8	1/2	5/8	9/64	2.0
	1-7/16	0.92								
208	1-1/2	1.23	1-1/2	5-1/8	1-21/32	4.0	1/2	43/64	1/4	2.0
	40mm	0.56	38.1	130.0	42.2	101.5	M12	16.9	4.6	50.8
210	1-15/16	1.35	1-5/8	5-5/8	1-55/64	4-3/8	5/8	49/64	1/4	2-9/16
	50mm	0.61	41.3	142.7	47.3	111.0	M16	19.3	6.4	65.1

FEATURES/BENEFITS PAGE B2-3	HOW TO ORDER/NOMENCLATURE PAGE B2-8	SELECTION/DIMENSIONS PAGE B2-24	ACCESSORIES PAGE B2-77
--------------------------------	--	------------------------------------	---------------------------

SELECTION/DIMENSIONS



E-Z KLEEN Mounted Bearings PSEZ POLYMER SLEEVE BEARING INSERTS



Series	Shaft Size	Part No.	Description
204	3/4	032867	INS-PS-012
	20mm	032868	INS-PS-20M
205	1	032872	INS-PS-100
	25mm	032871	INS-PS-25M
206	1-3/16	032875	INS-PS-103
	1-1/4	032876	INS-PS-104S
	30mm	032874	INS-PS-30M
207	1-1/4	032877	INS-PS-104
	1-7/16	032879	INS-PS-107
	35mm	032878	INS-PS-35M
208	1-1/2	032881	INS-PS-108
	40mm	032882	INS-PS-40M
210	1-15/16	032886	INS-PS-115
	50mm	032887	INS-PS-50M

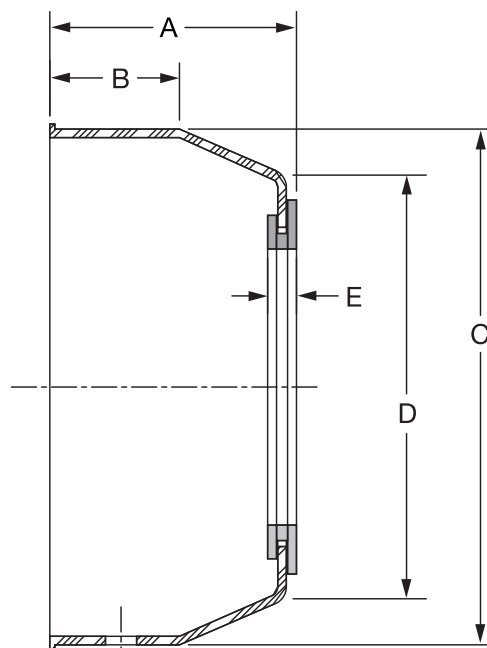
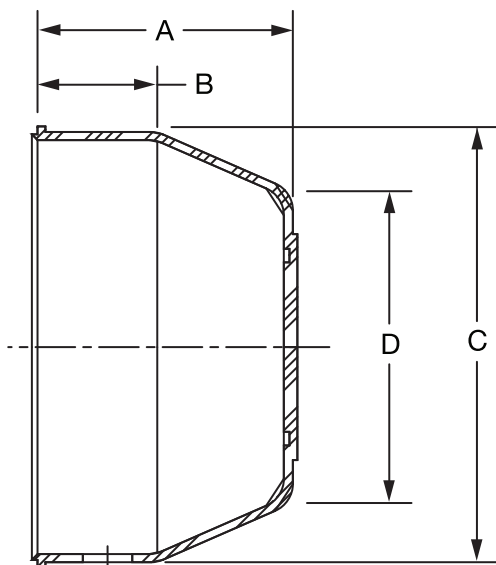
Series	Shaft Size	Weight lbs kg	A	C	L	S
204	3/4	0.25	1	11/16	1-5/16	1.8465/1.8395
	20mm	0.14	25.4	17.5	33.3	46.9011/46.7233
205	1	0.25	1-1/16	11/16	1-7/16	2.0435/2.0365
	25mm	0.15	27	17.5	36.5	51.9049/51.7271
206	1-3/16	0.36	1-3/16	13/16	1-11/16	2.4372/2.428
	1-1/4	0.35				
	30mm	0.16	30.2	20.6	42.9	61.8988/61.6712
207	1-1/4	0.40	1-5/16	13/16	2	2.829/2.820
	1-7/16	0.35				
208	1-1/2	0.46	1-1/2	7/8	2	3.144/3.135
	40mm	0.21	38.1	22.2	50.8	79.8576/79.6790
210	1-15/16	0.50	1-5/8	15/16	2-9/16	3.5375/3.5275
	50mm	0.23	41.3	23.8	65.1	89.8525/89.5985

FEATURES/BENEFITS PAGE B2-3	HOW TO ORDER/NOMENCLATURE PAGE B2-8	SELECTION/DIMENSIONS PAGE B2-24	ACCESSORIES PAGE B2-77
--------------------------------	--	------------------------------------	---------------------------



ACCESSORIES

E-Z KLEEN/ULTRA KLEEN Mounted Bearings Metal Detectable End Covers



Series	For Shaft Size	Closed End Closure Part Number	Description	A	B	C	D	Open End Closure Part Number	Description	A	B	C	D	E		
204	3/4	128960	ECC-EZ-204	1-1/8	17/32	1-29/32	1-3/8	128974	ECO-EZ-012	1-3/16	17/32	1-29/32	1-3/8	3/16		
	20mm			28.7	13.5	48.4	35.1			128991	ECO-EZ-20M	30.2	13.5	48.4	35.1	4.9
205	1	128961	ECC-EZ-205	1-3/16	17/32	2-11/64	1-39/64	128975	ECO-EZ-100	1-1/4	17/32	2-11/64	1-39/64	3/16		
	25mm			30.2	13.5	55.1	40.9			128992	ECO-EZ-25M	31.8	13.5	55.1	40.9	4.9
206	1-3/16	128962	ECC-EZ-206	1-21/64	9/16	2-1/2	31/32	128976	ECO-EZ-103	1-25/64	9/16	2-1/2	31/32	3/16		
	1-1/4			33.8	14.2	63.5	50.0			128989	ECO-EZ-104S					
	30mm			35.3	14.2	63.5	50.0			128993	ECO-EZ-30M	35.3	14.2	63.5	50.0	4.9
207	1-1/4	128963	ECC-EZ-207	1-15/32	11/16	2-29/32	2-5/16	128977	ECO-EZ-104	1-17/32	11/16	2-29/32	2-5/16	3/16		
	1-7/16			37.3	17.5	73.9	58.9			128990	ECO-EZ-107					
	35mm			38.9	17.5	73.9	58.9			128994	ECO-EZ-35M	38.9	17.5	73.9	58.9	4.9
208	1-1/2	128964	ECC-EZ-208	1-35/64	11/16	3-5/16	2-49/64	128978	ECO-EZ-108	1-19/32	11/16	3-5/16	2-49/64	13/64		
	40mm			39.1	17.5	84.1	70.1			128995	ECO-EZ-40M	40.6	17.5	84.1	70.1	5.1
209	1-11/16	128965	ECC-EZ-209	1-19/32	23/32	3-1/2	2-7/8	128979	ECO-EZ-111	1-21/32	23/32	3-1/2	2-7/8	13/64		
	45mm			40.4	18.3	88.9	72.9			128996	ECO-EZ-45M	41.9	18.3	88.9	72.9	5.1
210	1-15/16	128966	ECC-EZ-210	1-21/32	29/32	3-5/8	3	128980	ECO-EZ-115	1-23/32	29/32	3-5/8	3	13/64		
	50mm			42.2	23.1	91.4	76.2			128997	ECO-EZ-50M	43.7	23.1	91.4	76.2	5.1

@ Assembled to order

FEATURES/BENEFITS PAGE B2-3	HOW TO ORDER/NOMENCLATURE PAGE B2-8	EASY SELECTION PAGE B2-12	SELECTION/DIMENSIONS PAGE 2-24
--------------------------------	--	------------------------------	-----------------------------------



NOTES

Bearing Reference Guide

ULTRA KLEEN

E-Z KLEEN

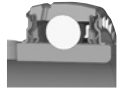
Extreme Duty

Setscrew Ball Bearing

GRIP TIGHT

D-LOK Ball Bearing

CONTENTS



Extreme Duty Setscrew Ball Bearings

Features / Benefits	B3-2
Easy Selection	B3-3
Selection	B3-5
Selection/Dimensions	
Pillow Blocks	B3-8
Tapped Base Pillow Block	B3-16
2 Bolt Flange Bearings	B3-17
4 Bolt Flange Bearings	B3-20
Piloted Flange Bearings	B3-23
Narrow Slot Take-Up Bearings	B3-25
Wide Slot Take-Up Bearings	B3-30
Inserts	B3-38
Accessories	B3-41
Part Number Index	INDEX-1
Key Word Index	KEYWORD-1

Bearing Reference Guide

ULTRA KLEEN

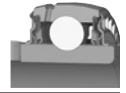
E-Z KLEEN

Extreme Duty

Setscrew Ball Bearing

GRIP TIGHT

D-LOK Ball Bearing



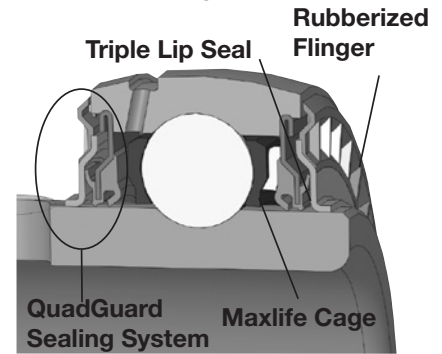
FEATURES/BENEFITS

Extreme Duty Setscrew Ball Bearings

The DODGE SC/SCMED Extreme Duty ball bearing offers extended life in the toughest industrial applications. Incorporating patented DODGE-only features such as the QuadGuard sealing system and the Maxlife ball cage, the DODGE SCED/SCMED bearing outperforms the competition in demanding environments where increasing equipment uptime is critical to success. Extreme conditions require highly-engineered products that will last. The DODGE Extreme Duty ball bearing is up to the challenge.

Insert: The Dodge Extreme Duty ball bearing incorporates 65° degree setscrews that provide maximum locking force without compromising the strength of the inner ring. Additional shaft attachment methods are available upon request. The design also includes an anti-rotation pin that prevents the insert from rotating in the housing under load which causes premature failure.

Sealing: The SCED uses the patented QuadGuard sealing system that offers superior protection in tough environments where there is significant risk of contamination. Industries such as agriculture, aggregate, cement, paper, wood products and metals require a sealing system that will extend the life of the bearing in harsh conditions. There are two major components to the QuadGuard design. The first is a unique triple-lip seal design that maximizes sealing without sacrificing the speed rating compared to a single lip design. The Dodge patented triple-lip design uses a mechanically retained seal where there are two contact points on the inner ring and one that rides against the flinger surface. Three points of contact maximize the ability of the bearing to guard against contamination and retain lubricants. The QuadGuard seal also incorporates the industry's first and only patented rubberized flinger. This flinger uses molded rubber to provide additional protection from contaminants entering the bearing. The baffle design of the rubber on the external surface of the flinger enhances the removal of liquid as it rotates. Grease chambers on the internal surface prevent lubricants from exiting the bearing. This superior design will increase service life in dirty environments thus leading to extended up-time for our customers. When used in conjunction with one another, the triple-lip seal and rubberized flinger create a sealing system that is perfect for demanding environments.



Retainer: The Maxlife Cage is the product of extensive research and development in retainer technology and industry leading engineering. The cage consists of a two-piece design that creates a grease compartment around each of the rolling elements. These compartments allow balls to be constantly in contact with grease, so a good oil film will always exist to prevent wear and minimize friction and heat. The Maxlife cage reduces the relative motion between the components and the grease which results in lower operating temperatures and extended life. The compartmental construction of the cage tends to hold in the grease and prevent it from being washed out in extremely wet or dirty conditions. This feature allows for extended life and the ability for the bearing to be relubricated with less frequency than standard designs.

Lubrication:

- Synthetic Grease
- SHC 220 PM synthetic grease standard
- Extends grease life. Less maintenance required.
- Cooler operating temperatures
- Extends life in wet applications

Housings:

- Cast Iron
- Pillow blocks
- 2 and 4 bolt flange bearings
- Tapped-base pillow blocks
- Piloted flange
- Wide and narrow slot take-up bearings



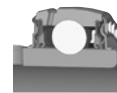
Maxlife Cage

End-Covers:

Dodge Extreme Duty ball bearings contain a machined groove in the housing to accommodate a snap-on style polymer end-cover as a standard feature. The end-cover provides additional protection from the environment and creates a safer working environment for employees maintaining equipment. The snap-on style end-cover incorporates an additional lip on the mounting surface for a more rigid fit within the housing. The design is more durable than a bolt-on style that uses the grease fitting to secure the cover in place and can be easily knocked off the bearing housings. Closed and open end-covers are available.



NOTE: Instruction manuals and drawings for Dodge bearings are available on www.dodge-pt.com



EASY SELECTION

Selection of Extreme Duty Setscrew Ball Bearings

DODGE Extreme Duty mounted ball bearings are primarily designed for radial loading. However, they have the capacity to carry thrust loads and combined radial/thrust loads. The maximum recommended load which can be applied is limited by various components in the system, such as bearing, housing, shaft attachments, speed and life requirements as listed in this catalog and the instruction manual that accompanies each bearing. DODGE Extreme Duty ball bearings have been applied successfully when these limits have been exceeded under controlled operating conditions. Contact DODGE Engineering for applications which exceed these recommendations.

Select a bearing from the Selection Table that has a radial load rating at the operating speed equal to or greater than the calculated Equivalent Radial Load for a desired L_{10} life. This simple method is all that is required for the majority of general applications and provides for occasional average shock loads.

L_{10} Hours Life-the life which may be expected for at least 90% of a given group of bearings operating under identical conditions.

Heavy Service-For heavy shock loads, frequent shock loads or severe vibrations, add up to 50% (according to severity of conditions) to the Equivalent Radial Load to obtain a Modified Equivalent Radial Load. Consult Application Engineering for additional selection assistance.

A maximum thrust load value of $C/10$ is recommended as a guide for general applications and will give adequate L_{10} life. If the thrust load exceeds this limit, it is advisable to use auxiliary thrust carrying devices, such as a shaft shoulder, snap ring, or a thrust collar. Where substantial radial load pulls the housing away from the mounting base, both the hold-down bolts and housing must be of adequate strength. Auxiliary load carrying devices, such as shear bars, are advisable for side or end-loading of pillow blocks and radial loads for flange units.

To determine the L_{10} hours life for loads and RPMs not listed use the following equation:

$$L_{10} = \left(\frac{C}{P}\right)^3 \times \left(\frac{16,667}{n}\right)$$

Where:

L_{10} = Life, hours

C = Dynamic Capacity, lbs. or N

P = Equivalent Radial Load, lbs. or N

n = Revolutions per minute

When the load on a ball bearing is solely a radial load with no thrust (axial) load, the Equivalent Radial Load (P) is equal to the actual radial load. However, when a thrust (axial) load is applied, the radial and thrust loads applied must be converted into an Equivalent Radial Load. Use X (radial factor) and Y (thrust factor) from Table 1 to convert the actual applied thrust and radial loads to an Equivalent Radial Load which has the same effect on the life of a bearing as a radial load of this magnitude.

$$P = XF_R + YF_A$$

Where:

P = Equivalent Radial Load, lbs.

F_R = Radial load, lbs.

F_A = Thrust load, lbs.

e = Thrust load to radial load factor (Table 1)

X = Radial load factor (Table 1)

Y = Thrust Factor (Table 1)

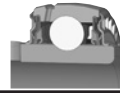
C_0 = Basic static capacity (Selection Table)

To find X and Y, first calculate F_A/C_0 to determine e. Calculate F_A/F_R and compare to e to determine the X and Y factors to use from Table 1.

Normal Shaft Size	Shaft Tolerances	
	Commercial Shaft Tolerance (Inches)	Recommended Shaft Tolerances Setscrew Ball Bearing (Inches)
Up to 1-1/2"	+0.000 -0.002	+0.0000 -0.0005
Over 1-1/2" to 2-1/2"	+0.000 -0.003	+0.0000 -0.0010
Over 2-1/2" to 4"	+0.000 -0.004	+0.0000 -0.0010

NOTE: Bearing analysis program "BEST" is available on www.ptwizard.com

FEATURES/BENEFITS PAGE B3-2	SELECTION PAGE B3-5	SELECTION/DIMENSIONS PAGE B3-8	ACCESSORIES PAGE B3-41
--------------------------------	------------------------	-----------------------------------	---------------------------



EASY SELECTION

Selection of Extreme Duty Setscrew Ball Bearings

Table 1

F_A/C_0	e	Radial/Thrust Factors			
		If F_A/F_R is equal to or less than e		If F_A/F_R is greater than e	
		$F_A/F_R \leq e$		$F_A/F_R > e$	
		X	Y	X	Y
0.014	0.19	1	0	0.56	2.30
0.021	0.21	1	0	0.56	2.15
0.028	0.22	1	0	0.56	1.99
0.042	0.24	1	0	0.56	1.85
0.056	0.26	1	0	0.56	1.71
0.070	0.27	1	0	0.56	1.63
0.084	0.28	1	0	0.56	1.55
0.110	0.30	1	0	0.56	1.45
0.170	0.34	1	0	0.56	1.31
0.280	0.38	1	0	0.56	1.15
0.420	0.42	1	0	0.56	1.04
0.560	0.44	1	0	0.56	1.00

Lubrication- DODGE Ball Bearings are lubricated at the factory and are ready to run. The bearings are initially lubricated with a lithium complex grease and should be relubricated with the same or some equivalent. For high speeds, high loads, extreme temperatures and other abnormal operating conditions, special greases may be required. Contact DODGE Application Engineering for recommendations on these types of applications.

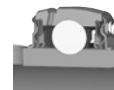
Misalignment - DODGE Ball Bearings are designed to allow a maximum of $\pm 2^\circ$ static misalignment. These bearings are not suitable for dynamic misalignment. To ensure good alignment, mounting surfaces must be checked for flatness and must lie in the same plane. When tightening base bolts, each bolt should be alternately tightening in incremental torque values until full torque is achieved to prevent the angular shifting of the pillow block that occurs when one bolt is tightened to its full torque. Shimming may be required to minimize misalignment.

Substitute all known values into the Equivalent Radial Load equation. The Equivalent Radial Load (P) thus determined can be used in the L_{10} life formula or compared to the allowable Equivalent Radial Load rating desired in the expanded rating chart to select a bearing (Selection Table).

If calculated value of P is less than F_R , use $P=F_R$.

NOTE: Bearing analysis program "BEST" is available on www.ptwizd.com

FEATURES/BENEFITS PAGE B3-2	SELECTION PAGE B3-5	SELECTION/DIMENSIONS PAGE B3-8	ACCESSORIES PAGE B3-41
--------------------------------	------------------------	-----------------------------------	---------------------------



SELECTION

Setscrew Ball Bearings

Recommended Torque													
Setscrews					D-LOK			Mounting Bolts					
Setscrew Size	Key Hex Across Flats	◆ Recommended Torque			Cap Screw Size	Recom. Torque	EZ-KLEEN Recom. Torque	Metal Housings		EZ-KLEEN Housed Bearings			
		Standard Ball Bearing Insert		Corrosion Resistant Stainless Steel				Bolt Size	Recom. Dry Torque (Grade 2)	2-Bolt PB, 2 & 4 Bolt Fig. and Fig. Brackets		Tapped Base PB	
		Min	Max							Bolt Size	Torque ①	Bolt Size	Torque ②
(in.)	(in.)	(in.-lbs.)	(in.-lbs.)	(in.-lbs.)	(in.)	(in.-lbs.)	(in.-lbs.)	(in.)	(in.-lbs.)	(in.)	(in.-lbs.)	(in.)	(in.-lbs.)
#10	3/32	28	33	25	#8-32	58	46	3/8-16	240	3/8-16	225	3/8-16	175
1/4	1/8	66	80	60	#10-32	90	72	7/16-14	384	7/16-14	350	7/16-14	350
5/16	5/32	126	156	117	1/4-28	180	144	1/2-13	600	1/2-13	500	1/2-13	400
3/8	3/16	228	275	206	5/16-24	400	320	5/8-11	1200	9/16-12	650		
7/16	7/32	342	428	321	3/8-24	750	600	3/4-10	1950	5/8-11	1000		
								7/8-9	2890				
(mm)	(mm)	(N-m)	(N-m)	(N-m)	(mm)	(N-m)	(N-m)	(mm)	(N-m)	(mm)	(N-m)		
M5	2.5	3.2	3.7	2.8	M4	585	4.68	M10	29	M8	15	① Torque for Austenitic (18-8) Stainless	
M6	3	6.2	7.7	5.8	M5	10.75	8.6	M12	50	M10	25	② Max. torque values published. Do not exceed	
M8	4	14.2	17.8	13.4	M6	20.5	16.4	M16	124	M12	50		
M10	5	26	31	23	M8	45	36	M20	238	M14	75		
M12	6	46	57	43				M22	322	M18	125		

Lubrication

High Speed Operation - In the higher speed ranges, too much grease will cause over-heating. The amount of grease that the bearing will take for a particular high speed application can only be determined by experience. If excess grease in the bearing causes overheating, it will be necessary to remove grease fitting to permit excess grease to escape. The bearing has been greased at the factory and is ready to run. When establishing a relubrication schedule, note that a small amount of grease at frequent intervals is preferable to a large amount at infrequent intervals.

◆ **NOTE:** Dodge does not recommend the use of oils or locking agents on setscrew threads. However, if utilized, the minimum installation torque values should be followed.

Lubrication Guide

Use a No. 2 Lithium complex base grease or equivalent*

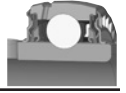
Hours Run per Day	Suggested Lubrication Period in Weeks							
	1 to 250 RPM	251 to 500 RPM	501 to 750 RPM	751 to 1000 RPM	1001 to 1500 RPM	1501 to 2000 RPM	2001 to 2500 RPM	2501 to 3000 RPM
8	12	12	10	7	5	4	3	2
16	12	7	5	4	2	2	1	1
24	10	5	3	2	1	1	1	1

* For EZ-KLEEN series bearings, use an aluminum complex base grease.

Lubrication recommendations are intended for standard products applied in general operating conditions. For modified products, high temperature applications, and other anomalous applications contact product engineering at 864-284-5700.

NOTE: Bearing analysis program "BEST" is available on www.ptwizard.com

FEATURES/BENEFITS PAGE B3-2	EASY SELECTION PAGE B3-3	SELECTION/DIMENSIONS PAGE B3-8	ACCESSORIES PAGE B3-41
--------------------------------	-----------------------------	-----------------------------------	---------------------------



SELECTION

Extreme Duty SCED/SCMED

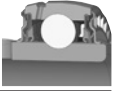
Ring Size	Shaft Size		Dynamic Capacity C, lbs.	Static Capacity Co, lbs.	L ₁₀ Life - Hours	Allowable Equivalent Radial Load Rating (lbs.) at Various RPM*												
	SCED	SCMED				50	150	250	500	750	1000	1250	1500	1600	1750	2000	2250	
	204	1/2 5/8 3/4 13/16 20mm					2899	1482	2000 3000 4000 6000 10000	741 647 588 513 433	513 449 408 356 300	433 378 344 300 253	344 300 273 238 201	300 262 238 201 176	273 238 217 189 160	253 221 201 176 148	238 208 189 165 139	233 204 185 162 136
205	7/8 15/16 1 25mm		3146	1769	2000 3000 4000 6000 10000	804 702 638 557 470	557 487 442 386 326	470 411 373 326 275	373 326 296 259 218	326 285 259 226 191	296 259 235 205 173	275 240 218 191 161	259 226 205 179 151	253 221 201 176 148	246 215 195 170 144	235 205 187 163 137	226 17 179 157 132	
206	1-1/16 1-1/8 1-3/16 1-1/4 30mm	1 25mm	4368	2538	2000 3000 4000 6000 10000	1116 975 886 774 652	774 676 614 536 452	652 570 518 452 382	518 452 411 359 303	452 395 359 314 265	411 359 326 285 240	382 333 303 265 223	359 314 285 249 210	351 307 279 244 206	341 298 271 237 199	326 285 259 226 191	314 274 249 217 183	
207	1-1/4 1-5/16 1-3/8 1-7/16 35mm	1-3/16 1-1/4 30mm	5759	3461	2000 3000 4000 6000 10000	1471 1285 1168 1020 860	1020 891 810 707 596	860 752 683 596 503	683 596 542 473 399	596 521 473 414 349	542 473 430 376 317	503 439 399 328 294	473 414 376 321 277	463 405 368 321 271	450 393 357 312 263	430 376 341 298 252	414 361 328 287 242	
208	1-1/2 1-5/8 40mm	1-7/16 1-1/2 35mm	7332	4475	2000 3000 4000 6000 10000	1873 1636 1487 1299 1095	1299 1134 1031 900 759	1095 957 869 759 641	869 759 690 603 508	759 663 603 527 444	690 603 548 478 403	641 560 508 448 375	611 527 478 418 352	590 515 468 409 345	573 500 454 397 335	548 478 435 380 320	527 460 418 365 308	
209	1-5/8 1-11/16 1-3/4 45mm	1-1/2 40mm	7891	4906	2000 3000 4000 6000 10000	2016 1761 1600 1398 1179	1398 1221 1109 969 817	1179 1030 936 817 689	936 817 743 649 547	817 714 649 567 478	743 649 589 515 434	689 602 547 480 403	649 567 515 450 379	635 555 504 440 371	616 538 489 427 360	589 515 468 409 345	567 495 450 393 331	
210	1-15/16 2 50mm	1-11/16 1-3/4 45mm	7891	5213	2000 3000 4000 6000 10000	2016 1761 1600 1398 1179	1398 1221 1109 969 817	1179 1030 936 817 689	936 817 743 649 547	817 714 649 567 478	743 649 589 515 434	689 602 547 480 403	649 567 515 450 371	635 555 504 440 360	616 538 489 427 360	589 515 468 409 345	567 495 450 393 331	
211	2 2-3/16 2-1/4 55mm	1-15/16 2 50mm	9755	6588	2000 3000 4000 6000 10000	2492 2177 1978 1728 1457	1728 1509 1371 1198 1010	1457 1273 1157 1010 852	1157 1010 918 802 676	1010 883 802 729 591	918 802 729 636 537	852 744 676 636 498	802 701 636 556 469	785 686 623 544 459	762 665 605 528 445	729 636 578 505 426	701 612 556 486 410	
212	2-1/4 2-7/16 60mm	2-3/16 2-1/4 55mm	11791	8100	2000 3000 4000 6000 10000	3012 2631 2391 2088 1761	2088 1824 1657 1448 1221	1761 1539 1398 1221 1030	1398 1221 1110 969 818	1221 1067 969 847 714	1110 1067 969 847 714	1030 969 881 769 649	969 847 753 672 567	949 829 731 658 555	921 804 731 638 538	881 769 699 611 515	847 740 672 587 495	
214	2-11/16 70mm	2-7/16 2-1/2 65mm	13995	9838	2000 3000 4000 6000 10000	3575 3123 2837 2479 2091	2479 2165 1967 1719 1450	2091 1826 1659 1450 1223	1659 1450 1317 1150 970	1450 1266 1150 1005 848	1317 1150 1045 913 770	1223 1068 970 848 715	1150 1005 913 798 673	1126 984 894 781 658	1093 955 867 758 639	1045 913 830 725 611	1005 878 798 697 588	
215	2-15/16 75mm	2-11/16 70mm	14872	11108	2000 3000 4000 6000 10000	3799 3319 3015 2634 2222	2634 2301 2091 1826 1540	2222 1941 1763 1540 1299	1763 1540 1400 1223 1031	1540 1346 1223 1068 901	1400 1223 1111 1031 818	1299 1135 1031 901 760	1223 1068 970 848 715	1197 1045 950 830 700	1161 1015 922 805 679	1111 970 882 770 650	1068 933 848 741 625	
216		2-15/16 3 75mm	17407	13102	2000 3000 4000 6000 10000	4446 3884 3529 3083 2600	3083 2693 2447 2138 1803	2600 2272 2064 1803 1521	2064 1803 1638 1431 1207	1803 1575 1431 1250 1054	1638 1431 1300 1136 958	1521 1431 1207 1054 889	1431 1250 1136 992 837	1401 1223 1112 971 819	1359 1187 1079 942 795	1300 1136 1032 901 760		
218		3-7/16 3-1/2 85mm	21451	16641	2000 3000 4000 6000 10000	5479 4787 4349 3799 3204	3799 3319 3015 2634 2222	3204 2799 2543 2019 1763	2543 2222 2019 1763 1541	2222 1941 1763 1602 1400	2019 1763 1602 1400 1299	1874 1637 1487 1300 1197	1763 1541 1400 1299 1096	1726 1508 1370 1197 1009				

* Slight interference fit required when operating on the right of the heavy line or in the shaded area. ❖ Piloted flange only

NOTE: Bearing analysis program "BEST" is available on www.ptwiz.com

FEATURES/BENEFITS PAGE B3-2	EASY SELECTION PAGE B3-3	SELECTION/DIMENSIONS PAGE B3-8	ACCESSORIES PAGE B3-41
--------------------------------	-----------------------------	-----------------------------------	---------------------------

SELECTION



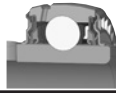
Extreme Duty SCED/SCMED

Ring Size	Shaft Size		Dynamic Capacity C, lbs.	Static Capacity C ₀ , lbs.	L ₁₀ Life - Hours	Allowable Equivalent Radial Load Rating (lbs.) at Various RPM*											
	SCED	SCMED				2500	2750	3000	3250	3500	3600	4000	4500	5000	5250	5500	6000
204	1/2 5/8 3/4 13/16 20mm		2899	1482	20000	201	195	189	184	180	178	172	165	160	157	155	150
					30000	176	170	165	161	157	155	150	144	139	137	135	131
					40000	160	155	150	146	143	141	136	131	127	125	123	119
					60000	139	135	131	128	125	123	119	115	111	109	107	104
					100000	118	114	111	108	105	104	101	97	93	92	90	88
205	7/8 15/16 1 25mm		3146	1769	20000	218	211	205	200	195	193	187	179	173	170	168	163
					30000	191	185	179	175	170	169	163	157	151	149	147	142
					40000	173	168	163	159	155	153	148	142	137	135	133	129
					60000	151	147	142	139	135	134	129	124	120	118	116	113
					100000	128	124	120	117	114	113	109	105	101	100	98	95
206	1-1/16 1-1/8 1-3/16 1-1/4 30mm	1 25mm	4368	2538	20000	303	293	285	278	271	268	259	249	240	237		
					30000	265	256	249	242	237	234	226	217	210	207		
					40000	240	233	226	220	215	213	206	198	191	188		
					60000	210	203	198	192	188	186	180	173	167	164		
					100000	177	172	167	162	158	157	151	146	141	138		
207	1-1/4 1-5/16 1-3/8 1-7/16 35mm	1-3/16 1-1/4 30mm	5759	3461	20000	399	387	376	366	357	354	341	328				
					30000	349	338	328	320	312	309	298	287				
					40000	317	307	298	290	283	281	271	261				
					60000	277	268	261	254	247	245	237	228				
					100000	234	226	220	214	209	207	200	192				
208	1-1/2 1-5/8 40mm	1-7/16 1-1/2✦ 35mm	7332	4475	20000	508	492	478	466	454	450	435					
					30000	444	430	418	407	397	393	380					
					40000	403	391	380	370	361	357	345					
					60000	352	341	332	323	315	312	301					
					100000	297	288	280	272	266	263	254					
209	1-5/8 1-11/16 1-3/4 45mm	1-1/2 40mm	7891	4906	20000	547	530	515	501	489	485						
					30000	478	463	450	438	427	423						
					40000	434	421	409	398	388	385						
					60000	379	367	357	348	339	336						
					100000	320	310	301	293	286	283						
210	1-15/16 2 50mm	1-11/16 1-3/4 45mm	7891	5213	20000	547	530	515	501	489	485						
					30000	478	463	450	438	427	423						
					40000	434	421	409	398	388	385						
					60000	379	367	357	348	339	336						
					100000	320	310	301	293	286	283						
211	2 2-3/16 2-1/4 55mm	1-15/16 2 50mm	9755	6588	20000	676	655	636	620								
					30000	591	572	556	541								
					40000	537	520	505	492								
					60000	469	454	441	430								
					100000	396	383	372	362								
212	2-1/4 2-7/16 60mm	2-3/16 2-1/4 55mm	11791	8100	20000	818	792										
					30000	714	692										
					40000	649	629										
					60000	567	549										
					100000	478	463										
214	2-11/16 70mm	2-7/16 2-1/2 65mm	13995	9838	20000	970											
					30000	848											
					40000	770											
					60000	673											
					100000	567											
215	2-15/16 75mm	2-11/16 70mm	14872	11108	20000	1031											
					30000	901											
					40000	818											
					60000	715											
					100000	603											
216		2-15/16 3 75mm	17407	13102	20000												
					30000												
					40000												
					60000												
					100000												
218		3-7/16 3-1/2 85mm	21451	16641	20000												
					30000												
					40000												
					60000												
					100000												

* Slight interference fit required when operating on the right of the heavy line or in the shaded area. ✦ Piloted flange only

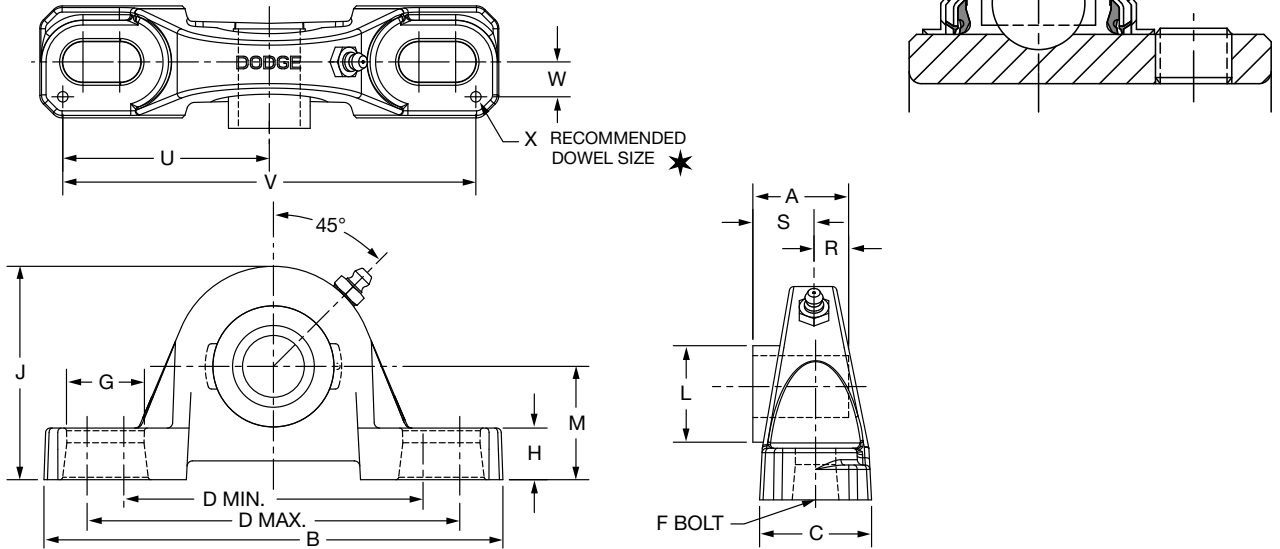
NOTE: Bearing analysis program "BEST" is available on www.ptwizard.com

FEATURES/BENEFITS PAGE B3-2	EASY SELECTION PAGE B3-3	SELECTION/DIMENSIONS PAGE B3-8	ACCESSORIES PAGE B3-41
--------------------------------	-----------------------------	-----------------------------------	---------------------------



SELECTION/DIMENSIONS

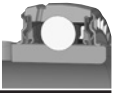
EXTREME DUTY SETSCREW BALL BEARINGS SCED AND SCUED NORMAL DUTY PILLOW BLOCKS



Series	Shaft Size	Standard Part No.	Description
204	1/2	@	P2B-SCED-008L
	5/8	075546	P2B-SCED-010L
	3/4	076000	P2B-SCED-012
	20mm	076220	P2B-SCED-20M
205	7/8	@	P2B-SCED-014
	15/16	@	P2B-SCED-015
	1	076001	P2B-SCED-100
	25mm	076221	P2B-SCED-25M
206	1-1/16	@	P2B-SCED-101
	1-1/8	076002	P2B-SCED-102
	1-3/16	076003	P2B-SCED-103
	1-1/4	076004	P2B-SCED-104S
	30mm	076222	P2B-SCED-30M
206 (SCU)	1-1/16	@	P2B-SCUED-101
	1-1/8	@	P2B-SCUED-102
	1-3/16	@	P2B-SCUED-103
	1-1/4	@	P2B-SCUED-104S
	30mm	@	P2B-SCUED-30M
207	1-1/4	076005	P2B-SCED-104
	1-5/16	@	P2B-SCED-105
	1-3/8	076006	P2B-SCED-106
	1-7/16	076007	P2B-SCED-107
	35mm	076223	P2B-SCED-35M

@ Assembled to order.

FEATURES/BENEFITS PAGE B3-2	EASY SELECTION PAGE B3-3	SELECTION PAGE B3-5	ACCESSORIES PAGE B3-41
--------------------------------	-----------------------------	------------------------	---------------------------



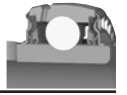
EXTREME DUTY SETSCREW BALL BEARINGS SCED AND SCUED NORMAL DUTY PILLOW BLOCKS

Series	Shaft Size	Weight lbs. kgs	A	B	C	D		F Bolt Dia.	G	H
						Min.	Max.			
204	1/2	1.6	1.23	5.25	1.34	3.38	4.19	3/8	0.85	0.53
	5/8	1.5								
	3/4	1.4								
	20mm	0.7	31.2	133.4	34.0	85.9	106.4	M10	21.6	13.5
205	7/8	1.8	1.34	5.50	1.40	3.69	4.50	3/8	0.85	0.58
	15/16	1.7								
	1	1.6								
	25mm	0.7	34.0	139.7	35.6	93.7	114.3	M10	21.6	14.7
206	1-1/16	2.8	1.52	6.25	1.75	4.25	5.00	1/2	0.94	0.68
	1-1/8	2.7								
	1-3/16	2.6								
	1-1/4	2.5								
	30mm	1.1	38.6	158.8	44.5	108.0	127.0	M12	23.9	17.3
206 (SCU)	1-1/16	2.9	1.52	6.25	1.75	4.25	5.00	1/2	0.94	0.75
	1-1/8	2.8								
	1-3/16	2.7								
	1-1/4	2.6								
	30mm	1.1	38.6	158.8	44.5	108.0	127.0	M12	23.9	19.1
207	1-1/4	4.5	1.71	6.50	1.75	4.68	5.44	1/2	0.94	0.71
	1-5/16	4.4								
	1-3/8	4.3								
	1-7/16	4.2								
	35mm	1.5	43.4	165.1	44.5	118.9	138.2	M12	23.9	18.0

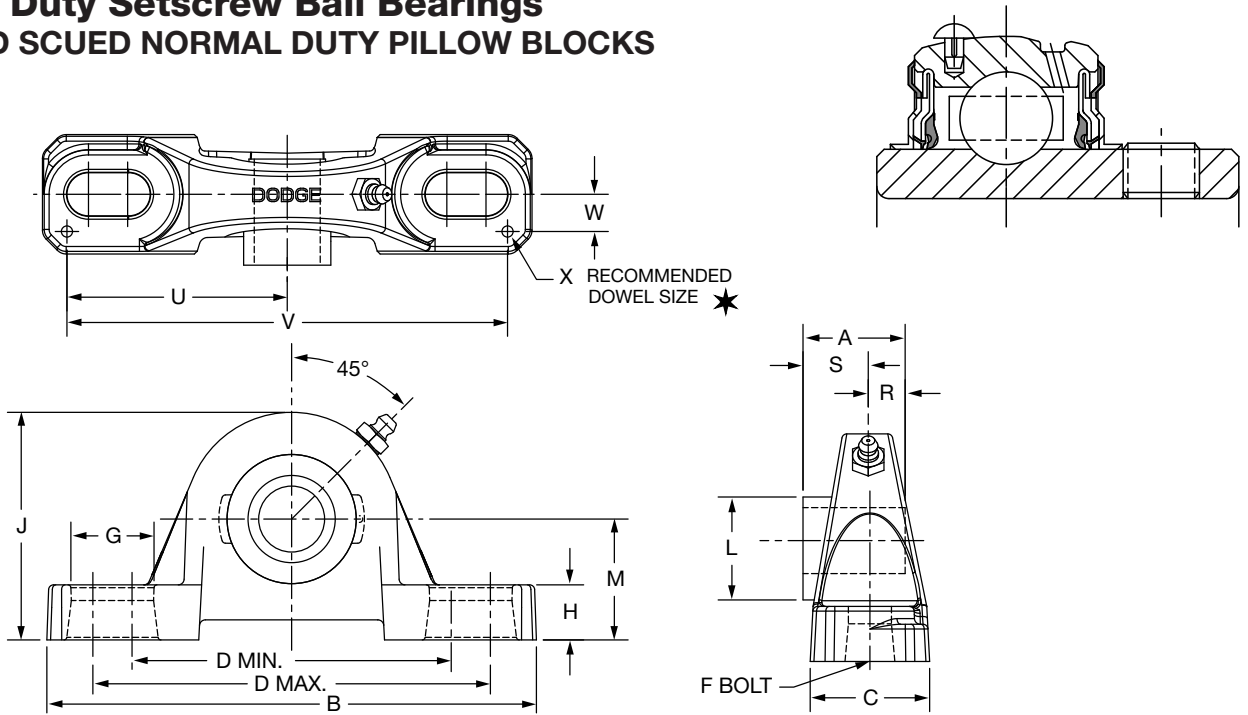
Series	Shaft Size	J	L	M	R	S	U	V	W	X
204	1/2	2.56	1.12	1.31	0.50	0.73	2.25	4.50	0.50	0.12
	5/8									
	3/4									
	20mm	65.0	28.4	33.3	12.7	18.5	57.2	114.3	12.7	3.0
205	7/8	2.77	1.32	1.44	0.56	0.78	2.50	5.00	0.50	0.12
	15/16									
	25mm	70.4	33.5	36.5	14.2	19.8	63.5	127.0	12.7	3.0
206	1-1/16	3.25	1.57	1.63	0.58	0.94	2.88	5.76	0.56	0.12
	1-1/8									
	1-3/16									
	1-1/4									
	30mm	82.6	39.9	41.3	14.7	23.9	73.2	146.3	14.2	3.0
206 (SCU)	1-1/16	3.31	1.57	1.69	0.58	0.94	2.88	5.76	0.56	0.12
	1-1/8									
	1-3/16									
	1-1/4									
	30mm	84.1	39.9	42.9	14.7	23.9	73.2	146.3	14.2	3.0
207	1-1/4	3.75	1.84	1.88	0.67	1.04	2.91	5.82	0.56	0.12
	1-5/16									
	1-3/8									
	1-7/16									
	35mm	95.3	46.7	47.6	17.0	26.4	73.9	147.8	14.2	3.0

FEATURES/BENEFITS PAGE B3-2	EASY SELECTION PAGE B3-3	SELECTION PAGE B3-5	ACCESSORIES PAGE B3-41
--------------------------------	-----------------------------	------------------------	---------------------------

SELECTION/DIMENSIONS



Extreme Duty Setscrew Ball Bearings SCED AND SCUED NORMAL DUTY PILLOW BLOCKS



Series	Shaft Size	Standard Part No.	Description
208	1-1/2	076008	P2B-SCED-108
	1-5/8	@	P2B-SCED-110
	40mm	076224	P2B-SCED-40M
209	1-5/8	@	P2B-SCED-110L
	1-11/16	076009	P2B-SCED-111
	1-3/4	076010	P2B-SCED-112
210	45mm	076225	P2B-SCED-45M
	1-15/16	076011	P2B-SCED-115
	2	076012	P2B-SCED-200
211	50mm	076226	P2B-SCED-50M
	2	076132	P2B-SCMED-200
	2-3/16	076133	P2B-SCMED-203
212	2-1/4	@	P2B-SCED-204
	55mm	076227	P2B-SCED-55M
	2-1/4	@	P2B-SCMED-204
214	2-7/16	076014	P2B-SCED-207
	60mm	076228	P2B-SCED-60M
	2-1/2	076135	P2B-SCMED-208
215	2-11/16	076015	P2B-SCED-211
	70mm	076229	P2B-SCED-70M
	2-15/16	076016	P2B-SCED-215
215 (SCU)	75mm	076230	P2B-SCED-75M
	2-15/16	@	P2B-SCUED-215
	75mm	@	P2B-SCUED-75M
218	90mm	@	P2B-SCED-90M

@ Assembled to order

FEATURES/BENEFITS PAGE B3-2	EASY SELECTION PAGE B3-3	SELECTION PAGE B3-5	ACCESSORIES PAGE B3-41
--------------------------------	-----------------------------	------------------------	---------------------------

SELECTION/DIMENSIONS



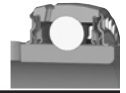
Extreme Duty Setscrew Ball Bearings SCED AND SCUED NORMAL DUTY PILLOW BLOCKS

Series	Shaft Size	Weight lbs. kgs	A	B	C	D		F Bolt Dia.	G	H
						Min.	Max.			
208	1-1/2	5.4	1.94	7.25	1.93	5.18	5.88	1/2	0.91	0.93
	1-5/8	5.3								
	40mm	2.2	49.3	184.2	49.0	131.6	149.4	M12	23.1	23.6
209	1-5/8	6.6	1.94	7.44	2.00	5.50	6.19	1/2	0.90	0.75
	1-11/16	6.4								
	1-3/4 45mm	6.2 2.2	49.3	189.0	50.8	139.7	157.2	M12	22.9	19.1
210	1-15/16	7.2	1.94	8.12	2.25	6.00	6.68	5/8	1.02	0.75
	2	7.0								
	50mm	2.6	49.3	206.2	57.2	152.4	169.7	M16	25.9	19.1
211	2	9.0	2.22	8.88	2.30	6.38	7.44	5/8	1.21	0.88
	2-3/16	8.9								
	2-1/4 55mm	8.8 3.3	56.4	225.6	58.4	162.1	189.0	M16	30.7	22.4
212	2-1/4	10.8	2.31	9.50	2.37	6.88	7.94	5/8	1.21	0.88
	2-7/16	10.2								
	60mm	4.2	58.7	241.3	60.2	174.8	201.7	M16	30.7	22.4
214	2-1/2	15.5	2.54	10.75	2.69	7.50	8.50	3/4	1.32	0.94
	2-11/16	15.0								
	70mm	6.9	64.5	273.1	68.3	190.5	215.9	M18	33.5	23.9
215	2-15/16	20.5	2.33	11.75	2.88	8.50	9.50	7/8	1.44	1.00
	75mm	7.9	59.2	298.5	73.2	215.9	241.3	M22	36.6	25.4
215 (SCU)	2-15/16 75mm	20.7 8.0	2.33 59.2	11.75 298.5	2.88 73.2	8.50 215.9	9.50 241.3	7/8 M22	1.44 36.6	1.00 25.4
218	90mm	13.6	65.0	355.6	85.9	262.1	295.1	M22	40.4	33.3

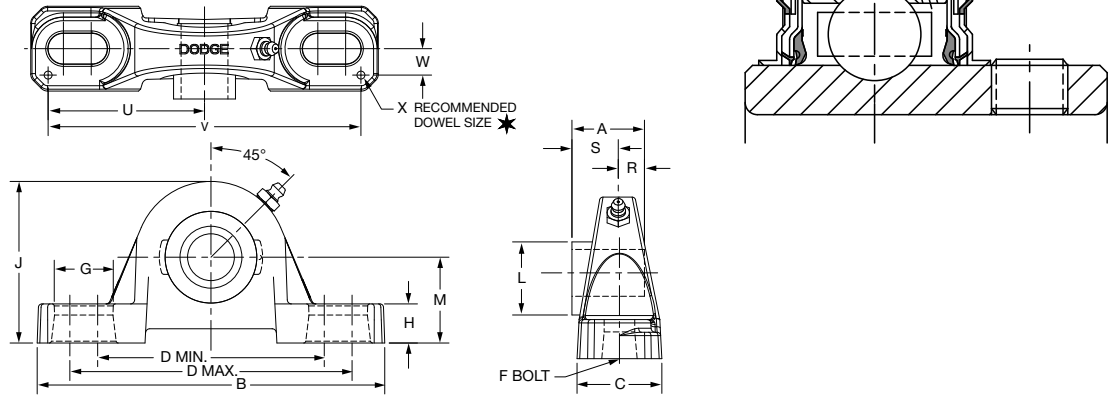
Series	Shaft Size	J	L	M	R	S	U	V	W	X
208	1-1/2	4.19	2.05	2.13	0.75	1.19	3.26	6.52	0.69	0.12
	1-5/8									
	40mm	106.4	52.1	54.0	19.1	30.2	82.8	165.6	17.5	3.0
209	1-5/8	4.28	2.22	2.13	0.75	1.19	3.38	6.76	0.69	0.12
	1-11/16									
	1-3/4 45mm	108.7	56.4	54.0	19.1	30.2	85.9	171.7	17.5	3.0
210	1-15/16	4.53	2.43	2.25	0.75	1.19	3.69	7.38	0.81	0.12
	2									
	50mm	115.1	61.7	57.2	19.1	30.2	93.7	187.5	20.6	3.0
211	2	4.96	2.71	2.50	0.87	1.35	3.94	7.88	0.81	0.12
	2-3/16									
	2-1/4 55mm	126.0	68.8	63.5	22.1	34.3	100.1	200.2	20.6	3.0
212	2-1/4	5.40	2.97	2.75	0.90	1.41	4.25	8.50	0.88	0.12
	2-7/16									
	60mm	137.2	75.4	69.9	22.9	35.8	108.0	215.9	22.4	3.0
214	2-1/2	6.09	3.31	3.00	1.06	1.48	4.88	9.76	0.94	0.12
	2-11/16									
	70mm	154.7	84.1	76.2	26.9	37.6	124.0	247.9	23.9	3.0
215	2-15/16	6.75	3.62	3.50	0.86	1.47	5.48	10.96	1.04	0.12
	75mm	171.5	91.9	88.9	21.8	37.3	139.2	278.4	26.4	3.0
215 (SCU)	2-15/16 75mm	6.50 165.1	3.62 91.9	3.25 82.6	0.86 21.8	1.47 37.3	5.48 139.2	10.96 278.4	1.04 26.4	0.12 3.0
218	90mm	203.2	110.5	101.6	24.4	40.6	167.6	335.3	30.2	3.0

FEATURES/BENEFITS PAGE B3-2	EASY SELECTION PAGE B3-3	SELECTION PAGE B3-5	ACCESSORIES PAGE B3-41
--------------------------------	-----------------------------	------------------------	---------------------------

SELECTION/DIMENSIONS



Extreme Duty Setscrew Ball Bearings SCBED NORMAL DUTY PILLOW BLOCKS

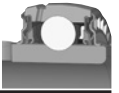


Series	Shaft Size	Part No.	Description	Weight lb. kgs	A	B	C	D		F Bolt Dia.	G	H
								Min.	Max.			
204	1/2	@	P2B-SCBED-008L	1.6	1.23	5.25	1.34	3.38	4.19	3/8	0.85	0.47
	5/8	@	P2B-SCBED-010L	1.5								
	3/4	@	P2B-SCBED-012	1.4								
	20mm	@	P2B-SCBED-20M	0.7	31.2	133.4	34.0	85.9	106.4	M10	21.6	11.9
205	7/8	@	P2B-SCBED-014	1.8	1.34	5.50	1.40	3.69	4.50	3/8	0.85	0.45
	15/16	@	P2B-SCBED-015	1.7								
	1	@	P2B-SCBED-100	1.6								
	25mm	@	P2B-SCBED-25M	0.7	34.0	139.7	35.6	93.7	114.3	M10	21.6	11.4
206	1-1/16	@	P2B-SCBED-101	2.8	1.52	6.25	1.75	4.25	5.00	1/2	0.94	0.62
	1-1/8	@	P2B-SCBED-102	2.7								
	1-3/16	@	P2B-SCBED-103	2.6								
	1-1/4	@	P2B-SCBED-104S	2.5								
	30mm	@	P2B-SCBED-30M	1.1	38.6	158.8	44.5	108.0	127.0	M12	23.9	15.8
207	1-1/4	@	P2B-SCBED-104	4.5	1.71	6.50	1.75	4.68	5.44	1/2	0.94	0.65
	1-5/16	@	P2B-SCBED-105	4.4								
	1-3/8	@	P2B-SCBED-106	4.3								
	1-7/16	@	P2B-SCBED-107	4.2								
	35mm	@	P2B-SCBED-35M	1.5	43.4	165.1	44.5	118.9	138.2	M12	23.9	16.5
208	1-1/2	@	P2B-SCBED-108	5.4	1.94	7.25	1.93	5.18	5.88	1/2	0.91	0.75
	1-5/8	@	P2B-SCBED-110	5.3								
	40mm	@	P2B-SCBED-40M	2.2	49.3	184.2	49.0	131.6	149.4	M12	23.1	19.1
209	1-5/8	@	P2B-SCBED-110L	6.6	1.94	7.44	2.00	5.50	6.19	1/2	0.90	0.69
	1-11/16	@	P2B-SCBED-111	6.4								
	1-3/4	@	P2B-SCBED-112	6.2								
	45mm	076545	P2B-SCBED-45M	2.2	49.3	189.0	50.8	139.7	157.2	M12	22.9	17.5
210	1-15/16	@	P2B-SCBED-115	7.2	1.94	8.12	2.25	6.00	6.68	5/8	1.02	0.68
	2	@	P2B-SCBED-200	7.0								
	50mm	@	P2B-SCBED-50M	2.6	49.3	206.2	57.2	152.4	169.7	M16	25.9	17.3
211	2	@	P2B-SCBED-200L	9.0	2.22	8.88	2.30	6.38	7.44	5/8	1.21	0.81
	2-3/16	@	P2B-SCBED-203	8.9								
	2-1/4	@	P2B-SCBED-204	8.8								
	55mm	@	P2B-SCBED-55M	3.3	56.4	225.6	58.4	162.1	189.0	M16	30.7	20.6
212	2-1/4	@	P2B-SCBED-204L	10.8	2.31	9.50	2.37	6.88	7.94	5/8	1.21	0.81
	2-7/16	077453	P2B-SCBED-207	10.2								
	60mm	@	P2B-SCBED-60M	4.2	58.7	241.3	60.2	174.8	201.7	M16	30.7	20.6
215	2-15/16	@	P2B-SCBED-215	20.5	2.33	11.75	2.88	8.50	9.50	7/8	1.44	1.06
	75mm	@	P2B-SCBED-75M	7.9	59.2	298.5	73.2	215.9	241.3	M22	36.6	26.9

@ Assembled to order.

FEATURES/BENEFITS PAGE B3-2	EASY SELECTION PAGE B3-3	SELECTION PAGE B3-5	ACCESSORIES PAGE B3-41
--------------------------------	-----------------------------	------------------------	---------------------------

SELECTION/DIMENSIONS



Extreme Duty Setscrew Ball Bearings SCBED NORMAL DUTY PILLOW BLOCKS

Bearing Reference Guide

ULTRA KLEEN

E-Z KLEEN

Extreme Duty

Setscrew Ball Bearing

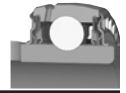
GRIP TIGHT

D-LOK Ball Bearing

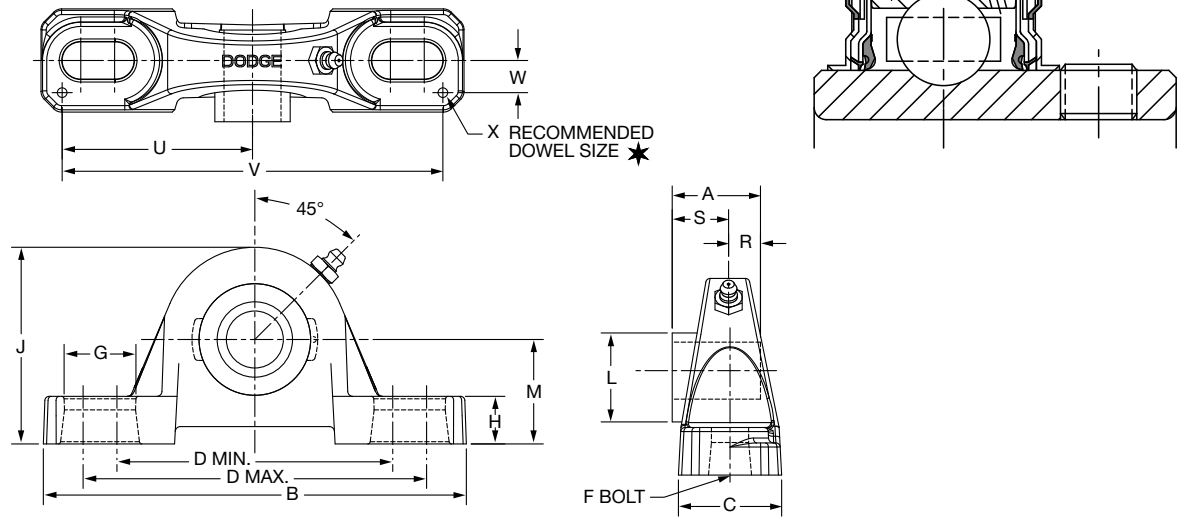
Series	Shaft Size	J	L	M	R	S	U	V	W	X
204	1/2	2.49	1.12	1.25	0.50	0.73	2.25	4.50	0.50	0.12
	5/8									
	3/4									
205	20mm	63.2	28.4	31.8	12.7	18.5	57.2	114.3	12.7	3.0
	7/8	2.64	1.32	1.31	0.56	0.78	2.50	5.00	0.50	0.12
	15/16									
206	1	67.1	33.5	33.3	14.2	19.8	63.5	127.0	12.7	3.0
	25mm									
	1-1/16	3.19	1.57	1.56	0.58	0.94	2.88	5.76	0.56	0.12
207	1-1/8									
	1-3/16									
	1-1/4	81.0	39.9	39.6	14.7	23.9	73.2	146.3	14.2	3.0
208	30mm									
	1-1/4	3.69	1.84	1.81	0.67	1.04	2.91	5.82	0.56	0.12
	1-5/16									
209	1-3/8									
	1-7/16									
	35mm	93.7	46.7	46.0	17.0	26.4	73.9	147.8	14.2	3.0
210	1-1/2	4.00	2.05	1.94	0.75	1.19	3.26	6.52	0.69	0.12
	1-5/8									
	40mm	101.6	52.1	49.3	19.1	30.2	82.8	165.6	17.5	3.0
211	1-5/8	4.21	2.22	2.06	0.75	1.19	3.38	6.76	0.69	0.12
	1-11/16									
	1-3/4									
212	45mm	106.9	56.4	52.3	19.1	30.2	85.9	171.7	17.5	3.0
	1-15/16	4.47	2.43	2.19	0.75	1.19	3.69	7.38	0.81	0.12
	2									
213	50mm	113.5	61.7	55.6	19.1	30.2	93.7	187.5	20.6	3.0
	2	4.90	2.71	2.44	0.87	1.35	3.94	7.88	0.81	0.12
	2-3/16									
214	2-1/4									
	55mm	124.5	68.8	62.0	22.1	34.3	100.1	200.2	20.6	3.0
	2-1/4	5.34	2.97	2.69	0.90	1.41	4.25	8.50	0.88	0.12
215	2-7/16									
	60mm	135.6	75.4	68.3	22.9	35.8	108.0	215.9	22.4	3.0
	2-15/16	6.56	3.62	3.31	0.86	1.47	5.48	10.96	1.04	0.12
216	75mm	166.6	91.9	84.1	21.8	37.3	139.2	278.4	26.4	3.0

FEATURES/BENEFITS PAGE B3-2	EASY SELECTION PAGE B3-3	SELECTION PAGE B3-5	ACCESSORIES PAGE B3-41
--------------------------------	-----------------------------	------------------------	---------------------------

SELECTION/DIMENSIONS



Extreme Duty Setscrew Ball Bearings SCMED MEDIUM DUTY PILLOW BLOCKS

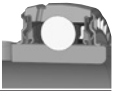


Series	Shaft Size	Standard Part No.	Description
206	1	076125	P2B-SCMED-100
	25mm	076296	P2B-SCMED-25M
206 (SCMU)	1	@	P2B-SCMU-100
	25mm	@	P2B-SCMU-25M
207	1-3/16	076126	P2B-SCMED-103
	1-1/4	076005	P2B-SCMED-104
	30mm	076297	P2B-SCMED-30M
208	1-7/16	076127	P2B-SCMED-107
	35mm	076298	P2B-SCMED-35M
209	1-1/2	076128	P2B-SCMED-108
	1-5/8	@	P2B-SC-110L
	40mm	076299	P2B-SCMED-40M
210	1-11/16	076129	P2B-SCMED-111
	1-3/4	076130	P2B-SCMED-112
	45mm	076300	P2B-SCMED-45M
211	1-15/16	076131	P2B-SCMED-115
	2	076132	P2B-SCMED-200
212	50mm	076301	P2B-SCMED-50M
	2-3/16	076133	P2B-SCMED-203
	2-1/4	@	P2B-SCMED-204
214	55mm	076302	P2B-SCMED-55M
	2-7/16	076134	P2B-SCMED-207
	2-1/2	076135	P2B-SCMED-208
215	65mm	076303	P2B-SCMED-65M
	2-11/16	076136	P2B-SCMED-211
	70mm	076304	P2B-SCMED-70M
216	2-15/16	076137	P2B-SCMED-215
	3	076138	P2B-SCMED-300
	75mm	076305	P2B-SCMED-75M
218	3-7/16	076139	P2B-SCMED-307
	3-1/2	076140	P2B-SCMED-308
	85mm	076306	P2B-SCMED-85M

@ Assembled to order

FEATURES/BENEFITS PAGE B3-2	EASY SELECTION PAGE B3-3	SELECTION PAGE B3-5	ACCESSORIES PAGE B3-41
--------------------------------	-----------------------------	------------------------	---------------------------

SELECTION/DIMENSIONS



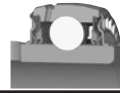
Extreme Duty Setscrew Ball Bearings SCMED MEDIUM DUTY PILLOW BLOCKS

Series	Shaft Size	Weight lbs. kgs	A	B	C	D		F Bolt Dia.	G	H
						Min.	Max.			
206	1	3.0	1.52	6.25	1.75	4.25	5.00	1/2	0.94	0.68
	25mm	1.3	38.6	158.8	44.5	108.0	127.0	M12	23.9	17.3
206 (SCMU)	1	3.1	1.52	6.25	1.75	4.25	5.00	1/2	0.94	0.75
	25mm	1.4	38.6	158.8	44.5	108.0	127.0	M12	23.9	19.1
207	1-3/16	4.6	1.71	6.50	1.75	4.68	5.44	1/2	0.94	0.71
	1-1/4 30mm	4.2 2.0	43.4	165.1	44.5	118.9	138.2	M12	23.9	18.0
208	1-7/16	5.4	1.94	7.25	1.93	5.18	5.88	1/2	0.91	0.93
	35mm	2.3	49.3	184.2	49.0	131.6	149.4	M12	23.1	23.6
209	1-1/2	6.4	1.94	7.44	2.00	5.50	6.19	1/2	0.90	0.75
	1-5/8 40mm	6.3 2.7	49.3	189.0	50.8	139.7	157.2	M12	22.9	19.1
210	1-11/16	7.4	1.94	8.12	2.25	6.00	6.68	5/8	1.02	0.75
	1-3/4 45mm	7.3 3.2	49.3	206.2	57.2	152.4	169.7	M16	25.9	19.1
211	1-15/16	9.2	2.22	8.88	2.30	6.38	7.44	5/8	1.21	0.88
	2 50mm	9.0 3.9	56.4	225.6	58.4	162.1	189.0	M16	30.7	22.4
212	2-3/16	11.0	2.31	9.50	2.37	6.88	7.94	5/8	1.21	0.88
	2-1/4 55mm	10.8 4.7	58.7	241.3	60.2	174.8	201.7	M16	30.7	22.4
214	2-7/16	15.7	2.54	10.75	2.69	7.50	8.50	3/4	1.32	0.94
	2-1/2 65mm	15.5 6.7	64.5	273.1	68.3	190.5	215.9	M18	33.5	23.9
215	2-11/16	21.0	2.33	11.75	2.88	8.50	9.50	7/8	1.44	1.00
	70mm	9.0	59.2	298.5	73.2	215.9	241.3	M22	36.6	25.4
216	2-15/16	21.3	2.38	11.75	3.00	8.50	9.50	7/8	1.44	1.25
	3 75mm	21.1 9.0	60.5	298.5	76.2	215.9	241.3	M22	36.6	31.8
218	3-7/16	31.8	2.56	14.00	3.38	10.32	11.62	7/8	1.59	1.31
	3-1/2 85mm	31.3 13.6	65.0	355.6	85.9	262.1	295.1	M22	40.4	33.3

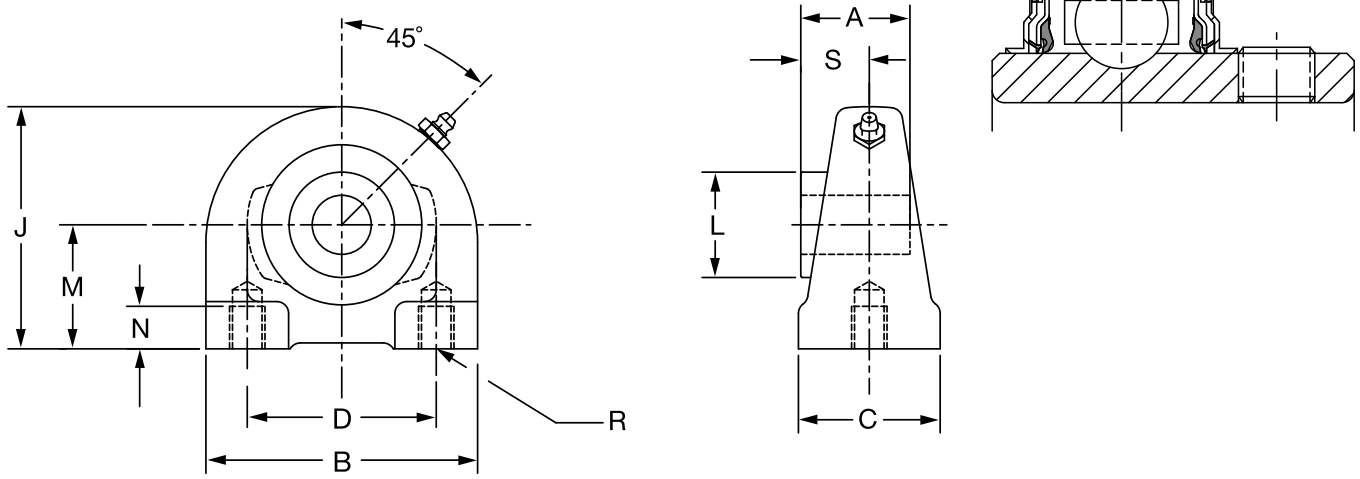
Series	Shaft Size	J	L	M	R	S	U	V	W	X
206	1	3.25	1.57	1.63	0.58	0.94	2.88	5.76	0.56	0.12
	25mm	82.6	39.9	41.3	14.7	23.9	73.2	146.3	14.2	3.0
206 (SCMU)	1	3.31	1.57	1.69	0.58	0.94	2.88	5.76	0.56	0.12
	25mm	84.1	39.9	42.9	14.7	23.9	73.2	146.3	14.2	3.0
207	1-3/16	3.75	1.84	1.88	0.67	1.04	2.91	5.82	0.56	0.12
	1-1/4 30mm	95.3	46.7	47.6	17.0	26.4	73.9	147.8	14.2	3.0
208	1-7/16	4.19	2.05	2.13	0.75	1.19	3.26	6.52	0.69	0.12
	35mm	106.4	52.1	54.0	19.1	30.2	82.8	165.6	17.5	3.0
209	1-1/2	4.28	2.22	2.13	0.75	1.19	3.38	6.76	0.69	0.12
	1-5/8 40mm	108.7	56.4	54.0	19.1	30.2	85.9	171.7	17.5	3.0
210	1-11/16	4.53	2.43	2.25	0.75	1.19	3.69	7.38	0.81	0.12
	1-3/4 45mm	115.1	61.7	57.2	19.1	30.2	93.7	187.5	20.6	3.0
211	1-15/16	4.96	2.71	2.50	0.87	1.35	3.94	7.88	0.81	0.12
	2 50mm	126.0	68.8	63.5	22.1	34.3	100.1	200.2	20.6	3.0
212	2-3/16	5.40	2.97	2.75	0.90	1.41	4.25	8.50	0.88	0.12
	2-1/4 55mm	137.2	75.4	69.9	22.9	35.8	108.0	215.9	22.4	3.0
214	2-7/16	6.09	3.31	3.00	1.06	1.48	4.88	9.76	0.94	0.12
	2-1/2 65mm	154.7	84.1	76.2	26.9	37.6	124.0	247.9	23.9	3.0
215	2-11/16	6.75	3.62	3.50	0.86	1.47	5.48	10.96	1.04	0.12
	70mm	171.5	91.9	88.9	21.8	37.3	139.2	278.4	26.4	3.0
216	2-15/16	6.97	3.83	3.50	0.88	1.50	5.50	11.00	1.09	0.12
	3 75mm	177.0	97.3	88.9	22.4	38.1	139.7	279.4	27.7	3.0
218	3-7/16	8.00	4.35	4.00	0.96	1.60	6.60	13.20	1.19	0.12
	3-1/2 85mm	203.2	110.5	101.6	24.4	40.6	167.6	335.3	30.2	3.0

FEATURES/BENEFITS PAGE B3-2	EASY SELECTION PAGE B3-3	SELECTION PAGE B3-5	ACCESSORIES PAGE B3-41
--------------------------------	-----------------------------	------------------------	---------------------------

SELECTION/DIMENSIONS



Extreme Duty Setscrew Ball Bearings SCED NORMAL DUTY TAPPED BASE PILLOW BLOCKS

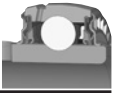


Series	Shaft Size	Part No.	Description	Weight lbs kg	A	B	C	D	J	L	M	N	R	S
204	1/2	@	TB-SCED-008	1.56	1.23	2.88	1.50	2.00	2.56	1.12	1.31	0.50	3/8-16	0.73
	5/8	077418	TB-SCED-010	1.53										
	3/4	076017	TB-SCED-012	1.50										
	20mm	076231	TB-SCED-20M	0.06	31.2	73.2	38.1	50.8	65.0	28.4	33.4	12.7	M8x1.25	18.5
205	7/8	@	TB-SCED-014	1.93	1.34	3.00	1.50	2.00	2.81	1.32	1.44	0.50	3/8-16	0.78
	15/16	@	TB-SCED-015	1.90										
	1	076018	TB-SCED-100	1.87										
	25mm	076232	TB-SCED-25M	0.07	34.0	76.2	38.1	50.8	71.4	33.5	36.5	12.7	M10x1.5	19.8
206	1-1/16	@	TB-SCED-101	2.66	1.52	4.00	1.50	3.00	3.38	1.57	1.69	0.63	7/16-14	0.94
	1-1/8	076019	TB-SCED-102	2.62										
	1-3/16	076020	TB-SCED-103	2.59										
	1-1/4	076021	TB-SCED-104S	2.56										
	30mm	076233	TB-SCED-30M	0.10	38.6	101.6	38.1	76.2	85.9	39.9	42.9	16.0	M10x1.5	23.9
207	1-1/4	076022	TB-SCED-104	3.41	1.71	4.25	1.88	3.25	3.75	1.84	1.88	0.75	1/2-13	1.04
	1-5/16	@	TB-SCED-105	3.36										
	1-3/8	076023	TB-SCED-106	3.34										
	1-7/16	076024	TB-SCED-107	3.25										
	35mm	076234	TB-SCED-35M	0.13	43.4	108.0	47.8	82.6	95.3	46.7	47.6	19.1	M10x1.5	26.4
208	1-1/2	076025	TB-SCED-108	4.10	1.94	4.63	1.88	3.50	3.94	2.05	1.94	0.75	1/2-13	1.19
	1-5/8	@	TB-SCED-110	4.00										
	40mm	076235	TB-SCED-40M	0.16	49.3	117.6	47.8	88.9	100.1	52.1	49.2	19.1	M12x1.75	30.2
209	1-5/8	@	TB-SCED-110L	5.20	1.94	5.00	2.00	3.75	4.25	2.22	2.13	0.75	1/2-13	1.19
	1-11/16	076026	TB-SCED-111	5.00										
	1-3/4	076027	TB-SCED-112	4.90										
	45mm	076236	TB-SCED-45M	0.20	49.3	127.0	50.8	95.3	108.0	56.4	54.0	19.1	M12x1.75	30.2
210	1-15/16	076028	TB-SCED-115	5.40	1.94	5.50	2.00	4.00	4.63	2.43	2.25	0.88	5/8-11	1.19
	2	076029	TB-SCED-200	5.20										
	50mm	076237	TB-SCED-50M	0.21	49.3	139.7	50.8	101.6	117.6	61.7	57.2	22.4	M16x2	30.2
211	2	@	TB-SCED-200L	6.70	2.22	5.50	2.00	4.00	4.63	2.71	2.25	0.88	5/8-11	1.35
	2-3/16	076030	TB-SCED-203	6.50										
	2-1/4	@	TB-SCED-204	6.30										
	55mm	076238	TB-SCED-55M	0.25	56.4	139.7	50.8	101.6	117.6	68.8	57.2	22.4	M16x2	34.3

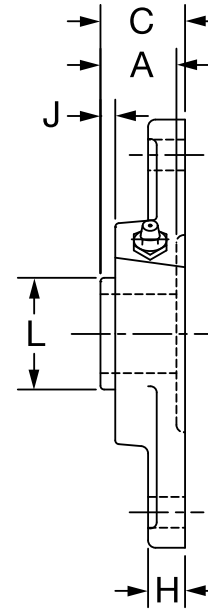
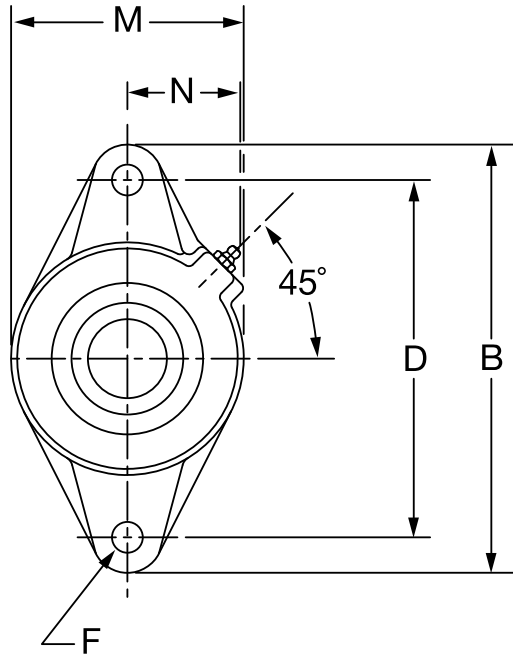
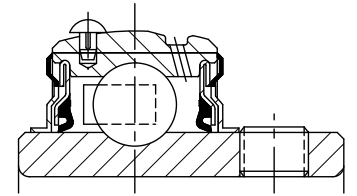
@ Assembled to order

FEATURES/BENEFITS PAGE B3-2	EASY SELECTION PAGE B3-3	SELECTION PAGE B3-5	ACCESSORIES PAGE B3-41
--------------------------------	-----------------------------	------------------------	---------------------------

SELECTION/DIMENSIONS



Extreme Duty Setscrew Ball Bearings SCED NORMAL DUTY 2-BOLT FLANGE BEARINGS



Series	Shaft Size	Standard Part No.	Description	Weight Lbs. kg	A	B	C	D	F Bolt Dia.	H	J	L	M	N
204	1/2	@	F2B-SCED-008L	1.6	1.23	4.41	1.34	3.53	3/8	0.50	0.36	1.12	2.38	1.50
	5/8	@	F2B-SCED-010L	1.5										
	3/4	076031	F2B-SCED-012	1.4										
	20mm	076239	F2B-SCED-20M	0.5	31.2	112.0	34.0	89.7	M10	12.7	9.1	28.4	60.5	38.1
205	7/8	@	F2B-SCED-014	1.6	1.34	4.88	1.37	3.89	7/16	0.52	0.42	1.32	2.75	1.44
	15/16	@	F2B-SCED-015	1.5										
	1	076032	F2B-SCED-100	1.4										
	25mm	076240	F2B-SCED-25M	0.6	34.0	124.0	34.8	98.8	M10	13.2	10.7	33.5	69.9	36.6
206	1-1/16	@	F2B-SCED-101	2.3	1.52	5.56	1.56	4.59	7/16	0.50	0.49	1.57	3.13	1.56
	1-1/8	076033	F2B-SCED-102	2.2										
	1-3/16	076034	F2B-SCED-103	2.1										
	1-1/4	076035	F2B-SCED-104S	2.0										
	30mm	076241	F2B-SCED-30M	1.0	38.6	141.2	39.6	116.7	M10	12.7	12.4	39.9	79.5	39.6
207	1-1/4	076036	F2B-SCED-104	3.5	1.71	6.13	1.75	5.12	1/2	0.56	0.53	1.84	3.75	1.84
	1-5/16	@	F2B-SCED-105	3.4										
	1-3/8	076037	F2B-SCED-106	3.2										
	1-7/16	076038	F2B-SCED-107	3.1										
	35mm	076242	F2B-SCED-35M	1.5	43.4	155.7	44.5	130.0	M12	14.2	13.5	46.7	95.3	46.7

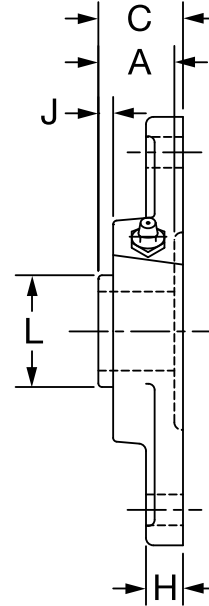
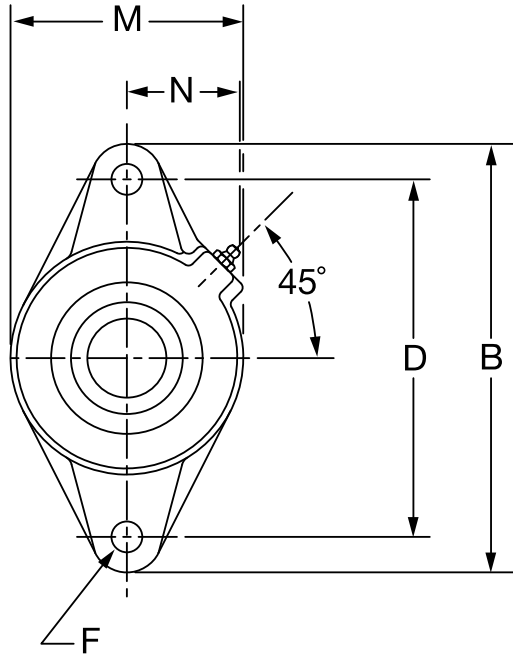
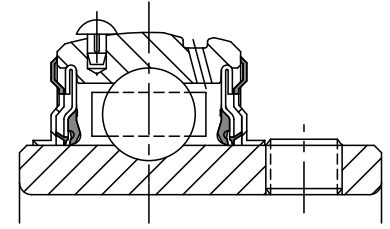
@Assembled to order

FEATURES/BENEFITS PAGE B3-2	EASY SELECTION PAGE B3-3	SELECTION PAGE B3-5	ACCESSORIES PAGE B3-41
--------------------------------	-----------------------------	------------------------	---------------------------

SELECTION/DIMENSIONS



Extreme Duty Setscrew Ball Bearings SCED NORMAL DUTY 2-BOLT FLANGE BEARINGS

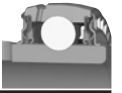


Series	Shaft Size	Standard Part No.	Description	Weight lbs kg	A	B	C	D	F Bolt Dia.	H	J	L	M	N
208	1-1/2	076039	F2B-SCED-108	4.1	1.94	6.75	1.98	5.66	1/2	0.56	0.63	2.05	4.13	1.83
	1-5/8	@	F2B-SCED-110	4.0										
	40mm	076243	F2B-SCED-40M	1.8	49.3	171.5	50.3	143.8	M12	14.2	16.0	52.1	104.9	46.5
209	1-5/8	@	F2B-SCED-110L	5.2	1.94	7.06	1.99	5.84	1/2	0.63	0.59	2.22	4.38	1.91
	1-11/16	076040	F2B-SCED-111	5.0										
	1-3/4	076041	F2B-SCED-112	4.9										
	1-13/16	@	F2B-SCED-113	4.7										
210	45mm	076244	F3B-SCED-45M	2.2	49.3	179.3	50.5	148.3	M14	16.0	15.0	56.4	111.3	48.5
	1-15/16	076042	F2B-SCED-115	5.4	1.94	7.44	2.02	6.19	1/2	0.63	0.55	2.43	4.56	2.03
	2	076043	F2B-SCED-200	5.2										
211	50mm	076245	F2B-SCED-50M	2.5	49.3	189.0	51.3	157.2	M16	16.0	14.0	61.7	115.8	51.6
	2	076148	F2B-SCMED-200	6.7	2.22	8.63	2.28	7.25	5/8	0.67	0.68	2.71	5.25	2.27
	2-3/16	076044	F2B-SCED-203	6.5										
	2-1/4	075697	F2B-SCED-204	6.3										
	55mm	@	F2B-SCED-55M	3.0	56.4	219.2	57.9	184.2	M16	17.0	17.3	68.8	133.4	57.7
212	2-1/4	@	F2B-SCMED-204	7.4	2.31	9.81	2.38	7.96	5/8	0.81	0.66	2.97	5.50	2.47
	2-7/16	076045	F2B-SCED-207	7.0										
	60mm	077773	F2B-SCED-60M	3.4	58.7	249.2	60.5	202.1	M22	20.6	16.8	75.4	139.7	62.7

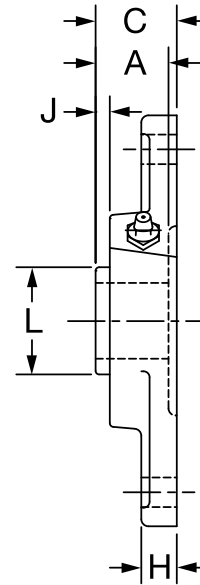
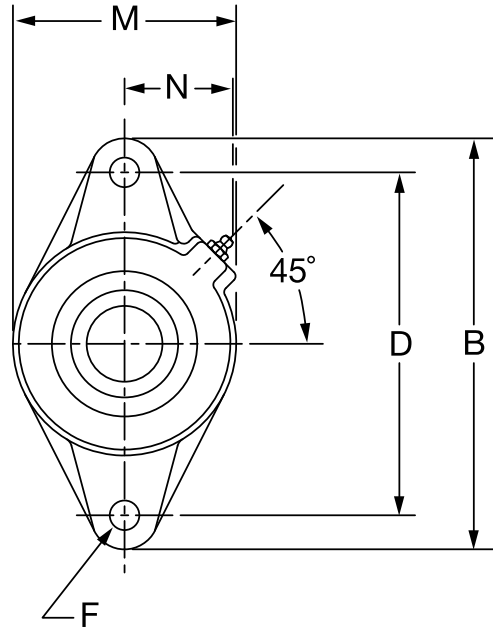
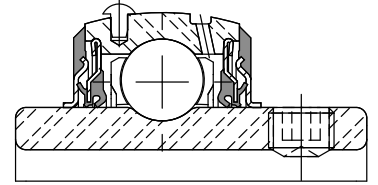
@Assembled to order

FEATURES/BENEFITS PAGE B3-2	EASY SELECTION PAGE B3-3	SELECTION PAGE B3-5	ACCESSORIES PAGE B3-41
--------------------------------	-----------------------------	------------------------	---------------------------

SELECTION/DIMENSIONS



Extreme Duty Setscrew Ball Bearings SCMED MEDIUM DUTY 2-BOLT FLANGE BEARINGS

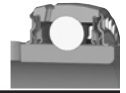


Series	Shaft Size	Standard Part No.	Description	Weight lbs. kgs.	A	B	C	D	F Bolt Dia.	J	K	L	M	N
206	1	076141	F2B-SCMED-100	2.4	1.52	5.56	1.56	4.59	7/16	0.50	0.49	1.57	3.13	1.56
	25mm	076307	F2B-SCMED-25M	1.0	38.6	141.2	39.6	116.7	M10	12.7	12.4	39.9	79.5	39.6
207	1-3/16	076142	F2B-SCMED-103	3.6	1.71	6.13	1.75	5.12	1/2	0.56	0.53	1.84	3.75	1.84
	1-1/4	@	F2B-SCMED-104	3.5										
	30mm	076308	F2B-SCMED-30M	1.6	43.4	155.7	44.5	130.0	M12	14.2	13.5	46.7	95.3	46.7
208	1-7/16	076143	F2B-SCMED-107	4.1	1.94	6.75	1.98	5.66	1/2	0.56	0.63	2.05	4.13	1.83
	35mm	076309	F2B-SCMED-35M	1.9	49.3	171.5	50.3	143.8	M12	14.2	16.0	52.1	104.9	46.5
209	1-1/2	076144	F2B-SCMED-108	5.3	1.94	7.06	1.99	5.84	1/2	0.63	0.59	2.22	4.38	1.91
	1-5/8	@	F2B-SCMED-110L	5.2										
	40mm	076310	F2B-SCMED-40M	2.3	49.3	179.3	50.5	148.3	M14	16.0	15.0	56.4	111.3	48.5
210	1-11/16	076145	F2B-SCMED-111	5.8	1.94	7.44	2.02	6.19	1/2	0.63	0.55	2.43	4.56	2.03
	1-3/4	076146	F2B-SCMED-112	5.6										
	45mm	076311	F2B-SCMED-45M	2.6	49.3	189.0	51.3	157.2	M16	16.0	14.0	61.7	115.8	51.6
211	1-15/16	076147	F2B-SCMED-115	6.7	2.22	8.63	2.28	7.25	5/8	0.67	0.68	2.71	5.25	2.27
	2	076148	F2B-SCMED-200	6.5										
	50mm	076312	F2B-SCMED-50M	2.9	56.4	219.2	57.9	184.2	M16	17.0	17.3	68.8	133.4	57.7
212	2-3/16	076149	F2B-SCMED-203	7.4	2.31	9.81	2.38	7.96	5/8	0.81	0.66	2.97	5.50	2.47
	2-1/4	@	F2B-SCMED-204	7.2										
	55mm	@	F2B-SCMED-55M	3.2	58.7	249.2	60.5	202.1	M22	20.6	16.8	75.4	139.7	62.7

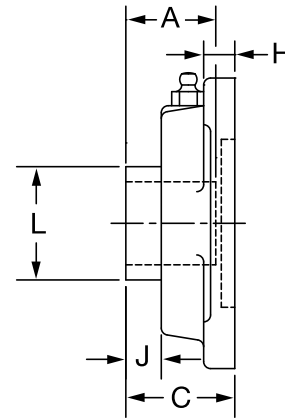
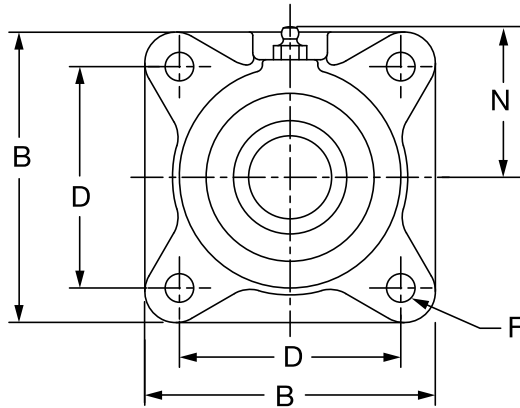
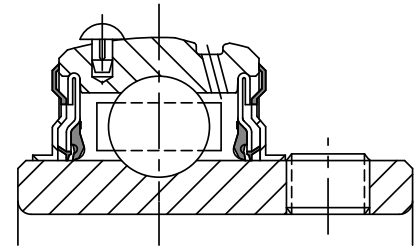
@ Assembled to order

FEATURES/BENEFITS PAGE B3-2	EASY SELECTION PAGE B3-3	SELECTION PAGE B3-5	ACCESSORIES PAGE B3-41
--------------------------------	-----------------------------	------------------------	---------------------------

SELECTION/DIMENSIONS



Extreme Duty Setscrew Ball Bearings SCED NORMAL DUTY 4-BOLT FLANGE BEARINGS



Series	Shaft Size	Standard Part No.	Description	Weights lbs kgs	A	B	C	D	F	H	J	L	N
204	1/2	@	F4B-SCED-008L	1.8	1.23	3.38	1.34	2.5	3/8	0.44	0.36	1.12	1.94
	5/8	@	F4B-SCED-010L	1.7									
	3/4	076046	F4B-SCED-012	1.6									
	13/16	@	F4B-SCED-013	1.5									
	20mm	076246	<i>F4B-SCED-20M</i>	0.8	31.2	85.9	34.0	63.5	M10	11.2	9.1	28.4	49.3
205	7/8	@	F4B-SCED-014	2.0	1.34	3.75	1.37	2.75	7/16	0.50	0.42	1.32	2.06
	15/16	@	F4B-SCED-015	1.9									
	1	076047	F4B-SCED-100	1.8									
	25mm	076247	<i>F4B-SCED-25M</i>	0.9	34.0	95.3	34.8	69.9	M10	12.7	10.7	33.5	52.3
206	1-1/16	@	F4B-SCED-101	2.9	1.52	4.25	1.56	3.25	7/16	0.50	0.49	1.57	2.19
	1-1/8	076048	F4B-SCED-102	2.8									
	1-3/16	076049	F4B-SCED-103	2.7									
	1-1/4	076050	F4B-SCED-104S	2.6									
	30mm	076248	<i>F4B-SCED-30M</i>	1.3	38.6	108.0	39.6	82.6	M10	12.7	12.4	39.9	55.6
207	1-1/4	076051	F4B-SCED-104	4.0	1.71	4.75	1.75	3.63	1/2	0.56	0.53	1.84	2.44
	1-5/16	@	F4B-SCED-105	3.9									
	1-3/8	076052	F4B-SCED-106	3.8									
	1-7/16	076053	F4B-SCED-107	3.7									
	35mm	076249	<i>F4B-SCED-35M</i>	1.7	43.4	120.7	44.5	92.1	M12	14.2	13.5	46.7	62.0
208	1-1/2	076054	F4B-SCED-108	4.8	1.94	5.13	1.98	4.00	1/2	0.56	0.63	2.05	2.38
	1-5/8	@	F4B-SCED-110	4.7									
	40mm	076250	<i>F4B-SCED-40M</i>	2.1	49.3	130.3	50.0	101.6	M12	14.2	16.0	52.1	60.5

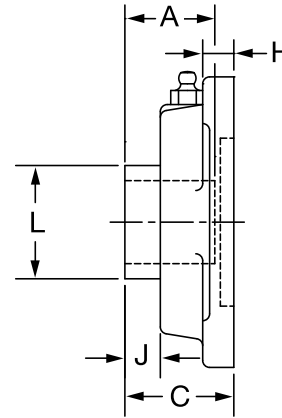
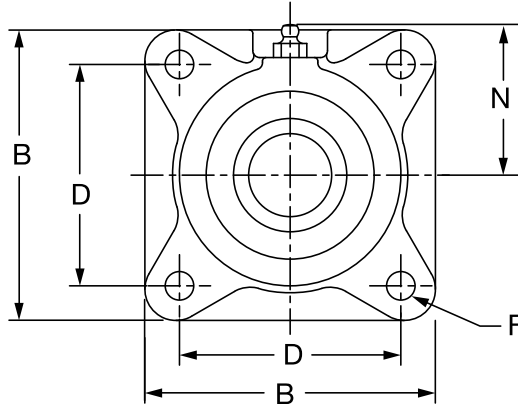
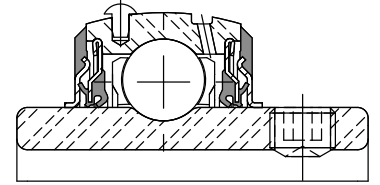
@ Assembled to order

FEATURES/BENEFITS PAGE B3-2	EASY SELECTION PAGE B3-3	SELECTION PAGE B3-5	ACCESSORIES PAGE B3-41
--------------------------------	-----------------------------	------------------------	---------------------------

SELECTION/DIMENSIONS



Extreme Duty Setscrew Ball Bearings SCED NORMAL DUTY 4-BOLT FLANGE BEARINGS

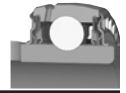


Series	Shaft Size	Standard Part No.	Description	Weight lbs. kg.	A	B	C	D	F	H	J	L	N
209	1-5/8	075775	F4B-SCED-110L	6.1	1.94	5.38	1.99	4.13	1/2	0.63	0.59	2.22	2.75
	1-11/16	076055	F4B-SCED-111	6.0									
	1-3/4	076056	F4B-SCED-112	5.9									
	45mm	076251	F4B-SCED-45M	2.7	49.3	136.7	50.5	104.8	M14	16.0	15.0	56.4	69.9
210	1-15/16	076057	F4B-SCED-115	6.7	1.94	5.63	2.02	4.38	1/2	0.63	0.55	2.43	2.88
	2	076058	F4B-SCED-200	6.6									
	50mm	076252	F4B-SCED-50M	3.0	49.3	143.0	51.3	111.1	M16	16.0	14.0	61.7	73.2
211	2	076157	F4B-SCMED-200	9.3	2.22	6.50	2.28	5.13	5/8	0.69	0.68	2.71	3.25
	2-3/16	076059	F4B-SCED-203	9.0									
	2-1/4	@	F4B-SCED-204	8.9									
	55mm	076253	F4B-SCED-55M	4.1	56.4	165.1	57.9	130.2	M16	17.5	17.3	68.8	82.6
212	2-1/4	076649	F4B-SCMED-204	11.1	2.31	6.88	2.38	5.63	5/8	0.69	0.66	2.97	3.50
	2-7/16	076060	F4B-SCED-207	10.6									
	60mm	076254	F4B-SCED-60M	6.0	58.7	174.8	60.5	142.9	M16	17.5	16.8	75.4	88.9
214	2-1/2	076160	F4B-SCMED-208	16.0	2.54	7.38	2.78	5.88	5/8	0.69	0.60	3.31	3.69
	2-11/16	076061	F4B-SCED-211	15.4									
	70mm	076255	F4B-SCED-70M	6.9	64.5	187.5	70.6	149.2	M16	17.5	15.2	84.1	93.7
215	2-15/16	076062	F4B-SCED-215	17.6	2.33	7.75	2.88	6.00	3/4	1.00	0.63	3.62	3.88
	75mm	076256	F4B-SCED-75M	8.0	59.2	196.9	73.2	152.4	M18	25.4	16.0	91.9	98.6

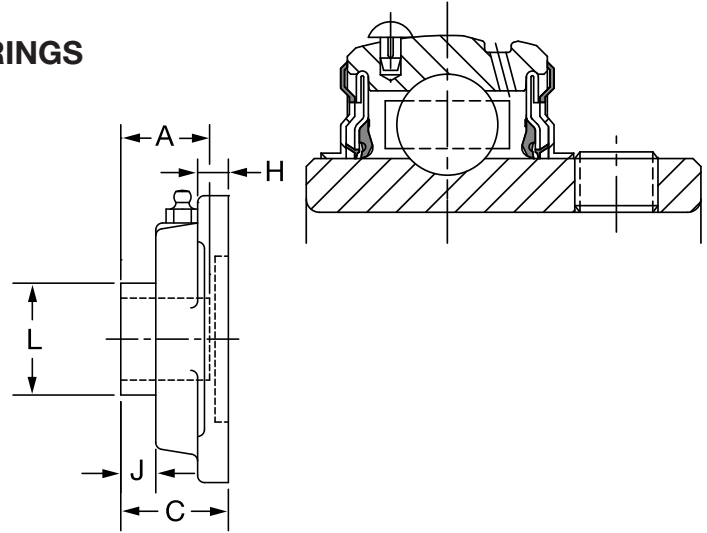
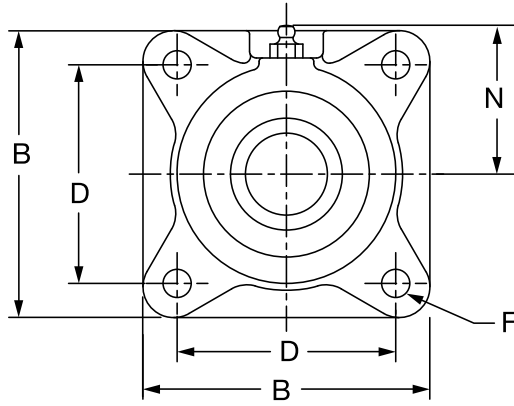
@ Assembled to order

FEATURES/BENEFITS PAGE B3-2	EASY SELECTION PAGE B3-3	SELECTION PAGE B3-5	ACCESSORIES PAGE B3-41
--------------------------------	-----------------------------	------------------------	---------------------------

SELECTION/DIMENSIONS



Extreme Duty Setscrew Ball Bearings SCMED MEDIUM DUTY 4-BOLT FLANGE BEARINGS

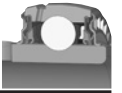


Series	Shaft Size	Standard Part No.	Description	Weight lbs kg	A	B	C	D	F	H	J	L	N
206	1	076150	F4B-SCMED-100	3.0	1.52	4.25	1.56	3.25	7/16	0.50	0.49	1.57	2.19
	25mm	076313	F4B-SCMED-25M	1.3	38.6	108.0	39.6	82.6	M10	12.7	12.4	39.9	55.6
207	1-3/16	076151	F4B-SCMED-103	4.1	1.71	4.75	1.75	3.63	1/2	0.56	0.53	1.84	2.44
	1-1/4	076051	F4B-SCMED-104	4.0									
	30mm	076314	F4B-SCMED-30M	1.4	43.4	120.7	44.5	92.1	M12	14.2	13.5	46.7	62.0
208	1-7/16	076152	F4B-SCMED-107	5.0	1.94	5.13	1.98	4.00	1/2	0.56	0.63	2.05	2.38
	35mm	076315	F4B-SCMED-35M	2.1	49.3	130.3	50.3	101.6	M12	14.2	16.0	52.1	60.5
209	1-1/2	076153	F4B-SCMED-108	6.1	1.94	5.38	1.99	4.13	1/2	0.63	0.59	2.22	2.75
	1-5/8	@	F4B-SCMED110L	6.1									
	40mm	076316	F4B-SCMED-40M	2.7	49.3	136.7	50.5	104.8	M14	16.0	15.0	56.4	69.9
210	1-11/16	076154	F4B-SCMED-111	7.1	1.94	5.63	2.02	4.38	1/2	0.63	0.55	2.43	2.88
	1-3/4	076155	F4B-SCMED-112	6.9									
	45mm	076317	F4B-SCMED-45M	3.0	49.3	143.0	51.3	111.1	M16	16.0	14.0	61.7	73.2
211	1-15/16	076156	F4B-SCMED-115	9.5	2.22	6.50	2.28	5.13	5/8	0.69	0.68	2.71	3.25
	2	076157	F4B-SCMED-200	9.3									
	50mm	076318	F4B-SCMED-50M	4.1	56.4	165.1	57.9	130.2	M16	17.5	17.3	68.8	82.6
212	2-3/16	076158	F4B-SCMED-203	11.3	2.31	6.88	2.38	5.63	5/8	0.69	0.66	2.97	3.50
	2-1/4	076649	F4B-SCMED-204	11.1									
	55mm	076319	F4B-SCMED-55M	6.0	58.7	174.8	60.5	142.9	M16	17.5	16.8	75.4	88.9
214	2-7/16	076159	F4B-SCMED-207	16.2	2.54	7.38	2.78	5.88	5/8	0.69	0.60	3.31	3.69
	2-1/2	076160	F4B-SCMED-208	16.0									
	65mm	076320	F4B-SCMED-65M	7.3	64.5	187.5	70.6	149.2	M16	17.5	15.2	84.1	93.7
215	2-11/16	076161	F4B-SCMED-211	18.3	2.33	7.75	2.88	6.00	3/4	1.00	0.63	3.62	3.88
	70mm	076321	F4B-SCMED-70M	8.0	59.2	196.9	73.2	152.4	M18	25.4	16.0	91.9	98.6
216	2-15/16	076162	F4B-SCMED-215	21.5	2.38	7.75	3.09	6.00	3/4	0.88	0.59	3.83	4.09
	3	076163	F4B-SCMED-300	21.2									
	75mm	076322	F4B-SCMED-75M	9.4	60.5	196.9	78.5	152.4	M18	22.4	15.0	97.3	103.9
218	3-7/16	076164	F4B-SCMED-307	28.0	2.56	8.44	3.38	6.75	3/4	1.00	0.60	4.35	4.63
	3-1/2	076165	F4B-SCMED-308	27.4									
	85mm	076323	F4B-SCMED-85M	12.2	65.0	214.4	85.9	171.5	M18	25.4	15.2	110.5	117.6

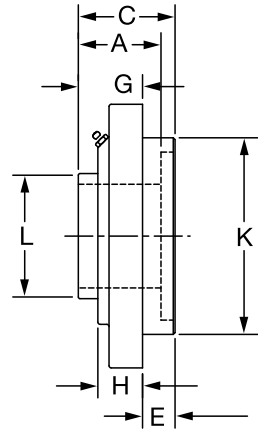
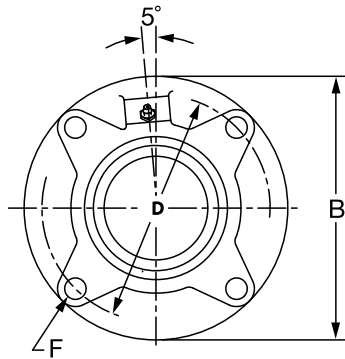
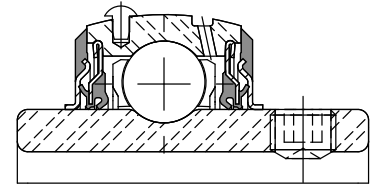
@ Assembled to order

FEATURES/BENEFITS PAGE B3-2	EASY SELECTION PAGE B3-3	SELECTION PAGE B3-5	ACCESSORIES PAGE B3-41
--------------------------------	-----------------------------	------------------------	---------------------------

SELECTION/DIMENSIONS



Extreme Duty Setscrew Ball Bearings SCED NORMAL DUTY PILOTED FLANGE BEARINGS

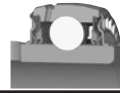


Series	Shaft Size	Part No.	Description	Weight lbs kg	A	B	C	D	E	F Bolt Dia.	G	H	K*	L
206	1-1/16	@	FC-SCED-101	3.2	1.52	4.38	1.53	3.63	0.25	3/8	1.28	0.81	3.000/2.998	1.57
	1-1/8	@	FC-SCED-102	3.1										
	1-3/16	076063	FC-SCED-103	3.0										
	1-1/4	076064	FC-SCED-104S	2.9										
	30mm	076257	FC-SCED-30M	1.3	38.6	111.3	38.9	92.2	6.4	M10	32.5	20.6	76.20/76.15	39.9
207	1-1/4	076065	FC-SCED-104	4.2	1.71	5.00	1.78	4.13	0.38	3/8	1.40	0.84	3.375/3.373	1.84
	1-5/16	@	FC-SCED-105	4.1										
	1-3/8	076066	FC-SCED-106	4.0										
	1-7/16	076067	FC-SCED-107	3.9										
	35mm	076258	FC-SCED-35M	1.8	43.4	127.0	45.2	104.9	9.7	M10	35.6	21.3	85.73/85.67	46.7
208	1-1/2	076068	FC-SCED-108	4.6	1.94	5.25	1.98	4.38	0.44	7/16	1.54	0.89	3.625/3.623	2.05
	1-5/8	@	FC-SCED-110	4.5										
	40mm	076259	FC-SCED-40M	2.0	49.3	133.4	50.3	111.3	11.2	M12	39.1	22.6	92.08/92.02	52.1
209	1-5/8	@	FC-SCED-110L	5.6	1.94	5.75	1.95	4.75	0.44	1/2	1.51	0.91	4.000/3.998	2.22
	1-11/16	076069	FC-SCED-111	5.5										
	1-3/4	076070	FC-SCED-112	5.4										
	45mm	076260	FC-SCED-45M	2.4	49.3	146.1	49.5	120.7	11.2	M12	38.4	23.1	101.60/101.55	56.4
210	1-15/16	076071	FC-SCED-115	6.4	1.94	6.13	1.98	5.13	0.47	1/2	1.51	0.92	4.250/4.248	2.43
	2	076072	FC-SCED-200	6.3										
	50mm	076261	FC-SCED-50M	2.9	49.3	155.7	50.3	130.3	11.9	M12	38.4	23.4	107.95/107.90	61.7
211	2	076173	FC-SCMED-200	7.3	2.22	6.38	2.35	5.38	0.63	1/2	1.72	1.00	4.500/4.498	2.71
	2-3/16	076073	FC-SCED-203	7.2										
	2-1/4	@	FC-SCED-204	7.1										
	55mm	076262	FC-SCED-55M	3.3	56.4	162.1	59.7	136.7	16.0	M12	43.7	25.4	114.30/114.25	68.8
212	2-1/4	@	FC-SCMED-204	9.6	2.31	7.13	2.54	6.00	0.88	1/2	1.67	1.00	5.000/4.998	2.97
	2-7/16	076074	FC-SCED-207	9.5										
	60mm	076263	FC-SCED-60M	4.3	58.7	181.1	64.5	152.4	22.4	M12	42.4	25.4	127.00/126.95	75.4
214	2-1/2	076176	FC-SCMED-208	13.0	2.54	7.63	2.80	6.50	1.13	1/2	1.67	1.06	5.500/5.498	3.31
	2-11/16	076075	FC-SCED-211	12.9										
	70mm	076264	FC-SCED-70M	5.5	64.5	193.8	71.1	165.1	28.7	M12	42.4	26.9	139.70/139.65	84.1

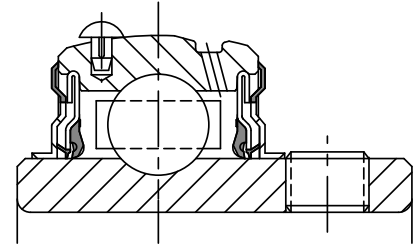
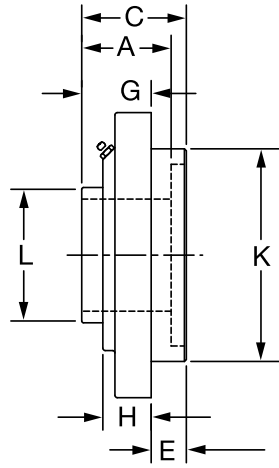
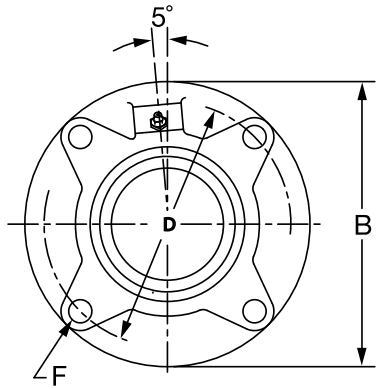
@ Assembled to order

FEATURES/BENEFITS PAGE B3-2	EASY SELECTION PAGE B3-3	SELECTION PAGE B3-5	ACCESSORIES PAGE B3-41
--------------------------------	-----------------------------	------------------------	---------------------------

SELECTION/DIMENSIONS



Extreme Duty Setscrew Ball Bearings SCMED MEDIUM DUTY PILOTED FLANGE BEARINGS

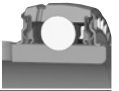


Series	Shaft Size	Part No.	Description	Weight lbs kg	A	B	C	D	E	F Bolt Dia.	G	H	K	L
206	1	076166	FC-SCMED-100	3.3	1.52	4.38	1.53	3.63	0.25	3/8	1.28	0.81	3.000/2.998	1.57
	25mm	076324	FC-SCMED-25M	1.4	38.6	111.3	38.9	92.2	6.4	M10	32.5	20.6	76.20/76.15	39.9
207	1-3/16	076167	FC-SCMED-103	4.2	1.71	5.00	1.78	4.13	0.38	3/8	1.40	0.84	3.375/3.373	1.84
	1-1/4 30mm	076065 076325	FC-SCMED-104 FC-SCMED-30M	4.2 1.9	43.4	127.0	45.2	104.9	9.7	M10	35.6	21.3	85.73/85.67	46.7
208	1-7/16	076168	FC-SCMED-107	4.8	1.94	5.25	1.98	4.38	0.44	7/16	1.54	0.89	3.625/3.623	2.05
	35mm	076326	FC-SCMED-35M	2.1	49.3	133.4	50.3	111.3	11.2	M12	39.1	22.6	92.08/92.02	52.1
209	1-1/2	076169	FC-SCMED-108	5.6	1.94	5.75	1.95	4.75	0.44	1/2	1.51	0.91	4.000/3.998	2.22
	1-5/8 40mm	@ 076327	FC-SCMED-110L FC-SCMED-40M	5.6 2.5	49.3	146.1	49.5	120.7	11.2	M12	38.4	23.1	101.60/101.55	56.4
210	1-11/16	076170	FC-SCMED-111	6.4	1.94	6.13	1.98	5.13	0.47	1/2	1.51	0.92	4.250/4.248	2.43
	1-3/4	076171	FC-SCMED-112	6.3										
	45mm	076328	FC-SCMED-45M	2.9	49.3	155.7	50.3	130.3	11.9	M12	38.4	23.4	107.95/107.90	61.7
211	1-15/16	076172	FC-SCMED-115	7.6	2.22	6.38	2.35	5.38	0.63	1/2	1.72	1.00	4.500/4.498	2.71
	2	076173	FC-SCMED-200	7.4										
	50mm	076329	FC-SCMED-50M	3.4	56.4	162.1	59.7	136.7	16.0	M12	43.7	25.4	114.30/114.25	68.8
212	2-3/16	076174	FC-SCMED-203	9.5	2.31	7.13	2.54	6.00	0.88	1/2	1.67	1.00	5.000/4.998	2.97
	2-1/4	@	FC-SCMED-204	9.8										
	55mm	076330	FC-SCMED-55M	4.4	58.7	181.1	64.5	152.4	22.4	M12	42.4	25.4	127.00/126.95	75.4
214	2-7/16	076175	FC-SCMED-207	13.2	2.54	7.63	2.80	6.50	1.13	1/2	1.67	1.06	5.500/5.498	3.31
	2-1/2	076176	FC-SCMED-208	13.0										
	65mm	076331	FC-SCMED-65M	5.9	64.5	193.8	71.1	165.1	28.7	M12	42.4	26.9	139.70/139.65	84.1
216	2-15/16	076177	FC-SCMED-215	18.8	2.38	8.75	3.02	7.50	1.25	5/8	1.77	1.19	6.375/6.373	3.83
	3	076178	FC-SCMED-300	18.6										
	75mm	076332	FC-SCMED-75M	8.5	60.5	222.3	76.7	190.5	31.8	M16	45.0	30.2	161.93/161.87	97.3
218	3-7/16	076179	FC-SCMED-307	28.7	2.56	10.25	3.33	8.63	1.13	3/4	2.21	1.63	7.375/7.373	4.35
	3-1/2	076180	FC-SCMED-308	28.5										
	85mm	076333	FC-SCMED-85M	13.5	65.0	260.4	84.6	219.1	28.6	M18	56.1	41.4	187.33/187.27	110.5

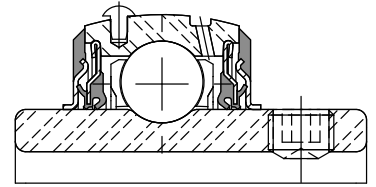
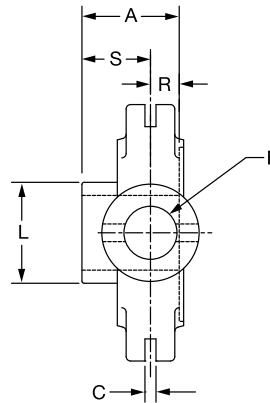
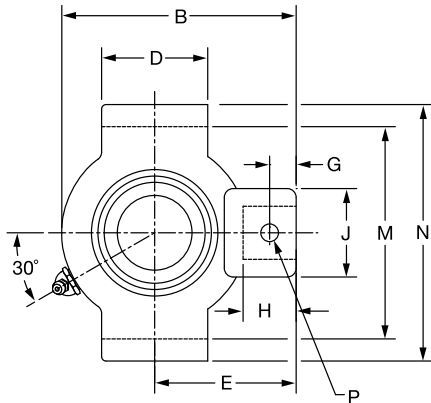
@ Assembled to order

FEATURES/BENEFITS PAGE B3-2	EASY SELECTION PAGE B3-3	SELECTION PAGE B3-5	ACCESSORIES PAGE B3-41
--------------------------------	-----------------------------	------------------------	---------------------------

SELECTION/DIMENSIONS



Extreme Duty Setscrew Ball Bearings SCED NORMAL DUTY NARROW SLOT TAKE-UP BEARINGS



Series	Shaft Size	Part No.	Description	Weight lbs. kgs.	Take-Up Frame No. Ref.	A	B	C	D	E	F Screw Dia	G
204	1/2	@	NSTU-SCED-008	1.6	NS210	1.23	3.50	0.250	1.50	2.19	3/4	0.44
	5/8	@	NSTU-SCED-010	1.5								
	3/4	076076	NSTU-SCED-012	1.4								
	20mm	076265	NSTU-SCED-20M	0.8								
						31.2	88.9	6.35	38.1	55.6	19.1	11.2
205	7/8	@	NSTU-SCED-014	1.7	NS210	1.34	3.56	0.250	1.50	2.19	3/4	0.44
	15/16	@	NSTU-SCED-015	1.6								
	1	076077	NSTU-SCED-100	1.5								
	25mm	076266	NSTU-SCED-25M	0.7								
						34.0	90.4	6.35	38.1	55.6	19.1	11.2
206	1-1/16	@	NSTU-SCED-101	2.9	NS308	1.52	4.31	0.250	1.50	2.69	3/4	0.44
	1-1/8	076078	NSTU-SCED-102	2.8								
	1-3/16	076079	NSTU-SCED-103	2.7								
	1-1/4	076080	NSTU-SCED-104S	2.6								
	30mm	076267	NSTU-SCED-30M	1.2		38.6	109.5	6.35	38.1	68.3	19.1	11.2
207	1-1/4	@	NSTU-SCED-104	2.8	NS308	1.71	4.50	0.250	2.50	2.69	3/4	0.50
	1-5/16	@	NSTU-SCED-105	2.7								
	1-3/8	076082	NSTU-SCED-106	2.6								
	1-7/16	076083	NSTU-SCED-107	2.5								
	35mm	076268	NSTU-SCED-35M	1.2		43.4	114.3	6.35	63.5	68.3	19.1	12.7

@ Assembled to order

See B15-9 for Take-Up Frames

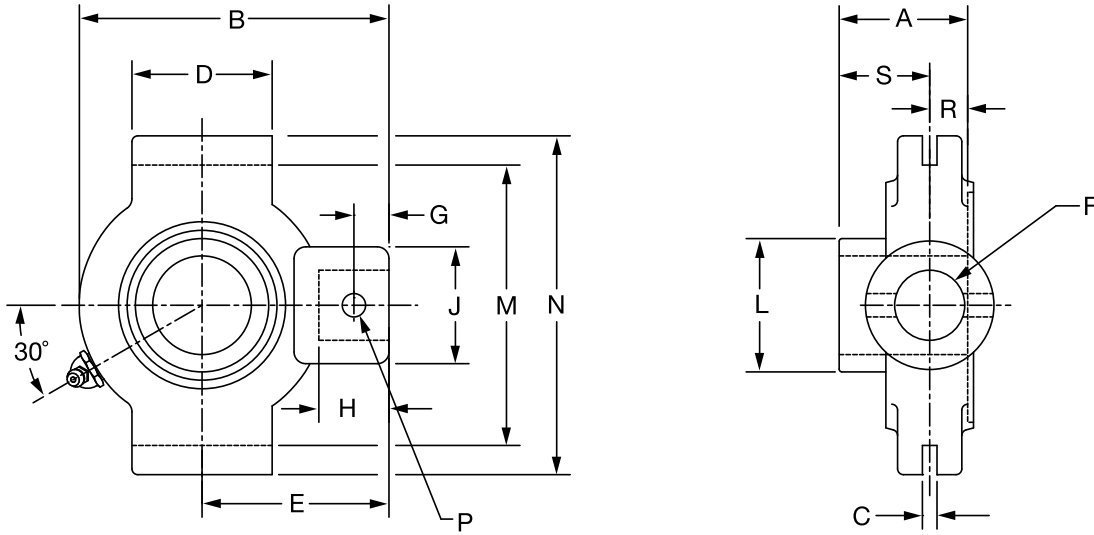
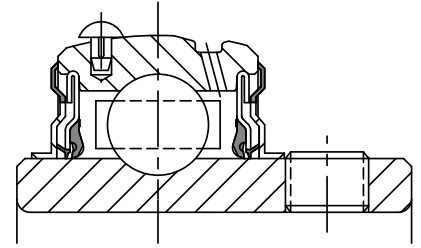
Series	Shaft Size	H	J	L	M	N	P Pin Dia	R	S
204	1/2	0.88	1.38	1.12	2.635/2.605	3.13	0.32	0.50	0.73
	5/8								
	3/4								
	20mm	22.4	35.1	28.4	66.93/66.17	79.5	8.1	12.7	18.5
205	7/8	0.88	1.38	1.32	2.635/2.605	3.13	0.32	0.56	0.78
	15/16								
	1								
	25mm	22.4	35.1	33.5	66.93/66.17	79.5	8.1	14.2	19.8
206	1-1/16	0.88	1.38	1.57	2.635/2.605	3.13	0.32	0.58	0.94
	1-1/8								
	1-3/16								
	1-1/4								
	30mm	22.4	35.1	39.9	66.93/66.17	79.5	8.1	14.7	23.9
207	1-1/4	0.94	1.38	1.84	3.510/3.480	4.13	0.32	0.67	1.04
	1-5/16								
	1-3/8								
	1-7/16								
	35mm	23.9	35.1	46.7	89.15/88.39	104.9	8.1	17.0	26.4

FEATURES/BENEFITS PAGE B3-2	EASY SELECTION PAGE B3-3	SELECTION PAGE B3-5	ACCESSORIES PAGE B3-41
--------------------------------	-----------------------------	------------------------	---------------------------

SELECTION/DIMENSIONS



Extreme Duty Setscrew Ball Bearings SCED NORMAL DUTY NARROW SLOT TAKE-UP BEARINGS



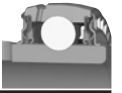
Series	Shaft Size	Standard Part No.	Description
208	1-1/2	076084	NSTU-SCED-108
	1-5/8	@	NSTU-SCED-110
	40mm	076269	NSTU-SCED-40M
209	1-5/8	@	NSTU-SCED-110L
	1-11/16	076085	NSTU-SCED-111
	1-3/4	076086	NSTU-SCED-112
210	45mm	076270	NSTU-SCED-45M
	1-15/16	076087	NSTU-SCED-115
	2	076088	NSTU-SCED-200
211	50mm	076271	NSTU-SCED-50M
	2	076188	NSTU-SCMED-200
	2-3/16	076089	NSTU-SCED-203
212	2-1/4	077462	NSTU-SCED-204
	55mm	076272	NSTU-SCED-55M
	2-1/4	@	NSTU-SCMED-204
212	2-7/16	076090	NSTU-SCED-207
	60mm	076273	NSTU-SCED-60M

@ Assembled to order

See B15-9 for Take-Up Frames

FEATURES/BENEFITS PAGE B3-2	EASY SELECTION PAGE B3-3	SELECTION PAGE B3-5	ACCESSORIES PAGE B3-41
--------------------------------	-----------------------------	------------------------	---------------------------

SELECTION/DIMENSIONS



Bearing Reference Guide

ULTRA KLEEN

E-Z KLEEN

Extreme Duty

Setscrew Ball Bearing

GRIP TIGHT

D-LOK Ball Bearing

Extreme Duty Setscrew Ball Bearings SCED NORMAL DUTY NARROW SLOT TAKE-UP BEARINGS

Series	Shaft Size	Weight lbs. kgs.	Take-Up Frame No. Ref.	A	B	C	D	E	F Screw Dia	G
208	1-1/2	4.7	NS400	1.94	5.38	0.313	3.00	3.25	7/8	0.66
	1-5/8	4.6		49.3	136.7	7.95	76.2	82.6	22.2	16.8
	40mm	2.1								
209	1-5/8	4.9	NS400	1.94	5.44	0.313	3.00	3.25	7/8	0.72
	1-11/16	4.8		49.3	138.2	7.95	76.2	82.6	22.2	18.3
	1-3/4	4.7								
210	1-15/16	4.9	NS400	1.94	5.50	0.313	3.00	3.25	7/8	0.59
	2	4.8		49.3	139.7	7.95	76.2	82.6	22.2	15.0
	50mm	2.2								
211	2	6.8	NS407	2.22	6.13	0.313	3.50	3.63	1	0.69
	2-3/16	6.6		56.4	155.7	7.95	88.9	92.2	25.4	17.5
	2-1/4	6.5								
212	55mm	3.0								
	2-1/4	8.7	NS415	2.31	6.69	0.313	3.75	3.88	1	0.69
	2-7/16	8.4		58.7	169.9	7.95	95.3	98.6	25.4	17.5
60mm	4.9									

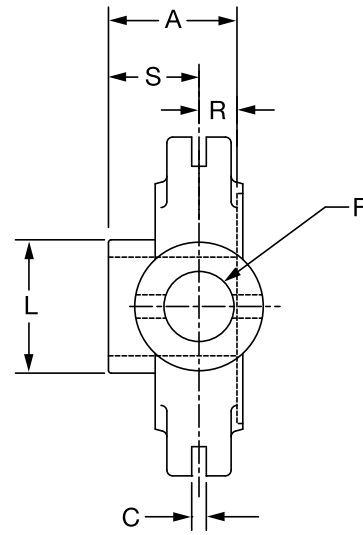
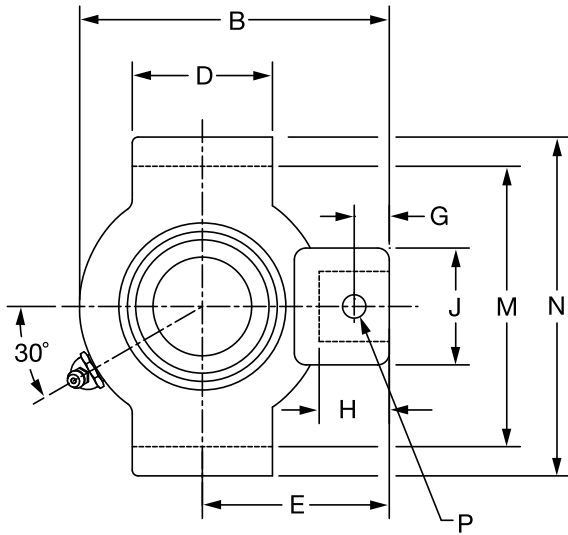
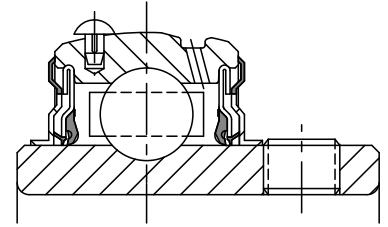
Series	Shaft Size	H	J	L	M	N	P Pin Dia	R	S
208	1-1/2	1.16	1.63	2.05	4.015/3.985	4.75	0.38	0.75	1.19
	1-5/8								
	40mm	29.5	41.4	52.1	101.98/101.22	120.7	9.7	19.1	30.2
209	1-5/8	1.22	1.63	2.22	4.015/3.985	4.75	0.38	0.75	1.19
	1-11/16								
	1-3/4								
210	45mm	31.0	41.4	56.4	101.98/101.22	120.7	9.7	19.1	30.2
	1-15/16	1.09	1.63	2.43	4.015/3.985	4.75	0.38	0.75	1.19
	2								
211	50mm	27.7	41.4	61.7	101.98/101.22	120.7	9.7	19.1	30.2
	2	1.28	1.75	2.71	4.448/4.418	5.38	0.44	0.87	1.35
	2-3/16								
212	2-1/4								
	2-1/4	1.28	1.63	2.97	4.947/4.917	5.75	0.44	0.90	1.41
	2-7/16								
212	60mm	32.5	41.4	75.4	125.65/124.89	146.1	11.2	22.9	35.8

FEATURES/BENEFITS PAGE B3-2	EASY SELECTION PAGE B3-3	SELECTION PAGE B3-5	ACCESSORIES PAGE B3-41
--------------------------------	-----------------------------	------------------------	---------------------------

SELECTION/DIMENSIONS



Extreme Duty Setscrew Ball Bearings SCMED MEDIUM DUTY NARROW SLOT TAKE-UP BEARINGS



Series	Shaft Size	Part No.	Description
206	1	076181	NSTU-SCMED-100
	25mm	076410	NSTU-SCMED-25M
207	1-3/16	076182	NSTU-SCMED-103
	1-1/4	076081	NSTU-SCMED-104
	30mm	076411	NSTU-SCMED-30M
208	1-7/16	076183	NSTU-SCMED-107
	35mm	076412	NSTU-SCMED-35M
209	1-1/2	076184	NSTU-SCMED-108
	1-5/8	@	NSTU-SCMED-110L
	40mm	076413	NSTU-SCMED-40M
210	1-11/16	076185	NSTU-SCMED-111
	1-3/4	076186	NSTU-SCMED-112
	45mm	076414	NSTU-SCMED-45M
211	1-15/16	076187	NSTU-SCMED-115
	2	076188	NSTU-SCMED-200
	50mm	076415	NSTU-SCMED-50M
212	2-3/16	076189	NSTU-SCMED-203
	2-1/4	@	NSTU-SCMED-204
	55mm	076416	NSTU-SCMED-55M

@ Assembled to order

FEATURES/BENEFITS PAGE B3-2	EASY SELECTION PAGE B3-3	SELECTION PAGE B3-5	ACCESSORIES PAGE B3-41
--------------------------------	-----------------------------	------------------------	---------------------------

SELECTION/DIMENSIONS



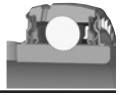
Extreme Duty Setscrew Ball Bearings SCMED MEDIUM DUTY NARROW SLOT TAKE-UP BEARINGS

Series	Shaft Size	Weight lbs. kgs.	Take-Up Frame No. Ref.	A	B	C	D	E	F Screw Dia.	G
206	1	3.0	NS308	1.52	4.31	0.250	1.50	2.69	3/4	0.44
	25mm	1.2		38.6	109.5	6.35	38.1	68.3	19.1	11.2
207	1-3/16	2.9	NS308	1.71	4.50	0.250	2.50	2.69	3/4	0.50
	1-1/4	2.8		43.4	114.3	6.35	63.5	68.3	19.1	12.7
	30mm	1.3		49.3	136.7	7.95	76.2	82.6	22.2	16.8
208	1-7/16	4.7	NS400	1.94	5.38	0.313	3.00	3.25	7/8	0.66
	35mm	2.2		49.3	136.7	7.95	76.2	82.6	22.2	16.8
209	1-1/2	5.0	NS400	1.94	5.44	0.313	3.00	3.25	7/8	0.72
	1-5/8	4.9		49.3	138.2	7.95	76.2	82.6	22.2	18.3
	40mm	2.3		49.3	139.7	7.95	76.2	82.6	22.2	15.0
210	1-11/16	5.3	NS400	1.94	5.50	0.313	3.00	3.25	7/8	0.59
	1-3/4	5.2		49.3	139.7	7.95	76.2	82.6	22.2	15.0
	45mm	2.4		2.22	6.13	0.313	3.50	3.63	1	0.69
211	1-15/16	7.0	NS407	2.22	6.13	0.313	3.50	3.63	1	0.69
	2	6.8		56.4	155.7	7.95	88.9	92.2	25.4	17.5
	50mm	3.2		2.31	6.69	0.313	3.75	3.88	1	0.69
212	2-3/16	8.9	NS415	2.31	6.69	0.313	3.75	3.88	1	0.69
	2-1/4	8.7		58.7	169.9	7.95	95.3	98.6	25.4	17.5
	55mm	4.0		58.7	169.9	7.95	95.3	98.6	25.4	17.5

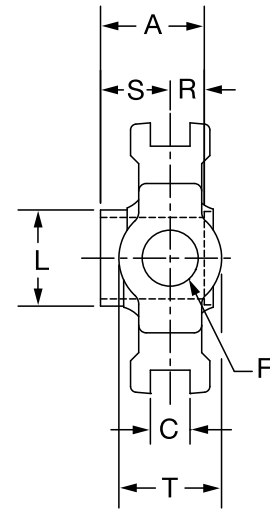
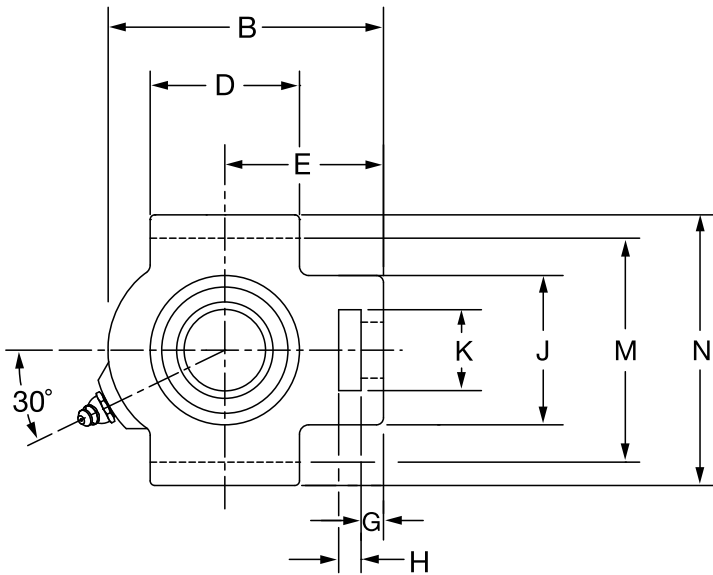
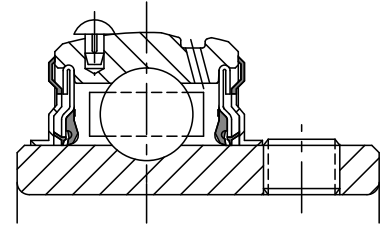
Series	Shaft Size	H	J	L	M	N	P Pin Dia.	R	S
206	1	0.88	1.38	1.57	2.635/2.605	3.13	0.32	0.58	0.94
	25mm	22.4	35.1	39.9	66.93/66.17	79.5	8.1	14.7	23.9
207	1-3/16	0.94	1.38	1.84	3.510/3.480	4.13	0.32	0.67	1.04
	1-1/4	23.9	35.1	46.7	89.15/88.39	104.9	8.1	17.0	26.4
	30mm	29.5	41.4	52.1	101.98/101.22	120.7	9.7	19.1	30.2
208	1-7/16	1.16	1.63	2.05	4.015/3.985	4.75	0.38	0.75	1.19
	35mm	29.5	41.4	52.1	101.98/101.22	120.7	9.7	19.1	30.2
209	1-1/2	1.22	1.63	2.22	4.015/3.985	4.75	0.38	0.75	1.19
	1-5/8	31.0	41.4	56.4	101.98/101.22	120.7	9.7	19.1	30.2
	40mm	27.7	41.4	61.7	101.98/101.22	120.7	9.7	19.1	30.2
210	1-11/16	1.09	1.63	2.43	4.015/3.985	4.75	0.38	0.75	1.19
	1-3/4	27.7	41.4	61.7	101.98/101.22	120.7	9.7	19.1	30.2
	45mm	1.28	1.75	2.71	4.448/4.418	5.38	0.44	0.87	1.35
211	1-15/16	1.28	1.63	2.97	4.947/4.917	5.75	0.44	0.90	1.41
	2	32.5	44.5	68.8	112.98/112.22	136.7	11.2	22.1	34.3
	50mm	32.5	41.4	75.4	125.65/124.89	146.1	11.2	22.9	35.8
212	2-3/16	1.28	1.63	2.97	4.947/4.917	5.75	0.44	0.90	1.41
	2-1/4	32.5	41.4	75.4	125.65/124.89	146.1	11.2	22.9	35.8
	55mm	32.5	41.4	75.4	125.65/124.89	146.1	11.2	22.9	35.8

FEATURES/BENEFITS PAGE B3-2	EASY SELECTION PAGE B3-3	SELECTION PAGE B3-5	ACCESSORIES PAGE B3-41
--------------------------------	-----------------------------	------------------------	---------------------------

SELECTION/DIMENSIONS



Extreme Duty Setscrew Ball Bearings SCED NORMAL DUTY WIDE SLOT TAKE-UP BEARINGS

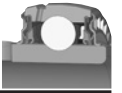


Series	Shaft Size	Standard Part No.	Description
204	1/2	@	WSTU-SCED-008
	5/8	@	WSTU-SCED-010
	3/4	076091	WSTU-SCED-012
	20mm	076274	WSTU-SCED-20M
205	7/8	@	WSTU-SCED-014
	15/16	@	WSTU-SCED-015
	1	076092	WSTU-SCED-100
	25mm	076275	WSTU-SCED-25M
206	1-1/16	@	WSTU-SCED-101
	1-1/8	076093	WSTU-SCED-102
	1-3/16	076094	WSTU-SCED-103
	1-1/4	076095	WSTU-SCED-104S
	30mm	076276	WSTU-SCED-30M
207	1-1/4	076096	WSTU-SCED-104
	1-5/16	@	WSTU-SCED-105
	1-3/8	076097	WSTU-SCED-106
	1-7/16	076098	WSTU-SCED-107
	35mm	076277	WSTU-SCED-35M
208	1-1/2	076099	WSTU-SCED-108
	1-5/8	@	WSTU-SCED-110
	40mm	076278	WSTU-SCED-40M

@ Assembled to order

FEATURES/BENEFITS PAGE B3-2	EASY SELECTION PAGE B3-3	SELECTION PAGE B3-5	ACCESSORIES PAGE B3-41
--------------------------------	-----------------------------	------------------------	---------------------------

SELECTION/DIMENSIONS



Extreme Duty Setscrew Ball Bearings SCED NORMAL DUTY WIDE SLOT TAKE-UP BEARINGS

Series	Shaft Size	Weight lbs kg	Take-Up Frame Size	A	B	C	D	E	F Screw Dia.	G	
204	1/2	2.1	WS300	1.23	3.69	0.531	2.00	2.38	5/8	0.38	
	5/8	2.0									
	3/4	1.9									
	20mm	0.9		31.2	93.7	13.49	50.8	60.5	15.9	9.7	
205	7/8	2.2	WS300	1.34	3.81	0.531	2.00	2.44	5/8	0.38	
	15/16	2.1									
	1	2.0									
	25mm	1.0		34.0	96.8	13.49	50.8	62.0	15.9	9.7	
206	1-1/16	3.1	WS308	1.52	4.38	0.531	2.25	2.75	3/4	0.38	
	1-1/8	3.0									
	1-3/16	2.9									
	1-1/4	2.8									
30mm	1.3	38.6	111.3	13.49	57.2	69.9	19.1	9.7			
207	1-1/4	3.8	WS308	1.71	4.87	0.531	2.50	3.06	3/4	0.50	
	1-5/16	3.7									
	1-3/8	3.6									
	1-7/16	3.5									
35mm	1.6	43.4	123.7	13.49	63.5	77.7	19.1	12.7			
208	1-1/2	6.1	WS400	1.94	5.69	0.688	3.25	3.50	1	0.63	
	1-5/8	6.0									
	40mm	2.8		49.3	144.5	17.48	82.6	88.9	25.4	16.0	

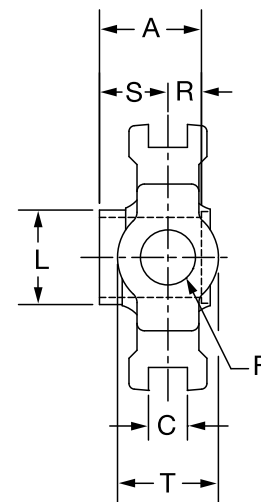
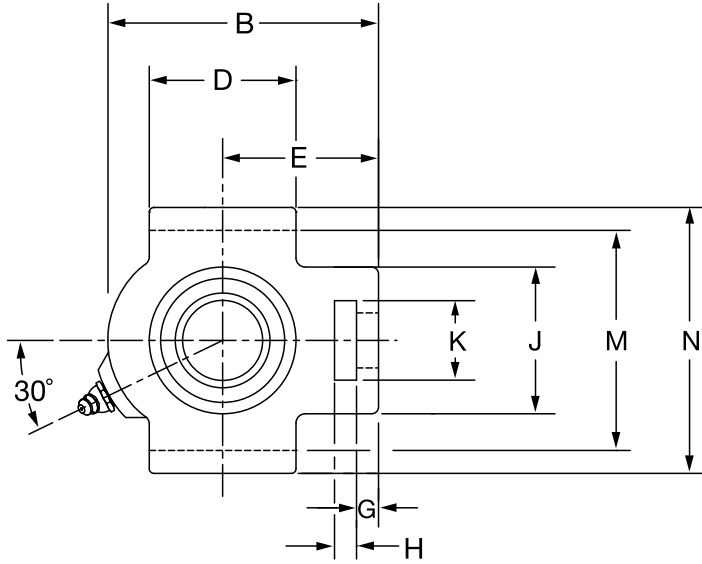
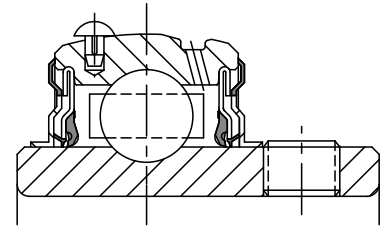
Series	Shaft Size	H	J	K	L	M	N	R	S	T
204	1/2	0.63	2.00	1.25	1.12	2.985/3.015	3.63	0.50	0.73	1.38
	5/8									
	3/4									
	20mm	16.0	50.8	31.8	28.4	75.82/76.58	92.2	12.7	18.5	35.1
205	7/8	0.63	2.00	1.31	1.32	2.985/3.015	3.63	0.56	0.78	1.38
	15/16									
	1									
	25mm	16.0	50.8	33.3	33.5	75.82/76.58	92.2	14.2	19.8	35.1
206	1-1/16	0.63	2.19	1.44	1.57	3.480/3.510	4.13	0.58	0.94	1.63
	1-1/8									
	1-3/16									
	1-1/4									
30mm	16.0	55.6	36.6	39.9	88.39/89.15	104.9	14.7	23.9	41.3	
207	1-1/4	0.63	2.50	1.44	1.84	3.480/3.510	4.13	0.67	1.04	1.63
	1-5/16									
	1-3/8									
	1-7/16									
35mm	16.0	63.5	36.6	46.7	88.39/89.15	104.9	17.0	26.4	41.3	
208	1-1/2	0.75	3.25	1.94	2.05	3.985/4.015	4.50	0.75	1.19	1.94
	1-5/8									
	40mm	19.1	82.6	49.3	52.1	101.22/101.98	114.3	19.1	30.2	49.3

FEATURES/BENEFITS PAGE B3-2	EASY SELECTION PAGE B3-3	SELECTION PAGE B3-5	ACCESSORIES PAGE B3-41
--------------------------------	-----------------------------	------------------------	---------------------------



SELECTION/DIMENSIONS

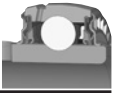
Extreme Duty Setscrew Ball Bearings SCED NORMAL DUTY WIDE SLOT TAKE-UP BEARINGS



Series	Shaft Size	Standard Part No.	Description
209	1-5/8	@	WSTU-SCED-110L
	1-11/16	076100	WSTU-SCED-111
	1-3/4	076101	WSTU-SCED-112
	1-13/16	@	WSTU-SCED-113
	45mm	076279	WSTU-SCED-45M
210	1-15/16	076102	WSTU-SCED-115
	2	076103	WSTU-SCED-200
	50mm	076280	WSTU-SCED-50M
211	2	076197	WSTU-SCMED-200
	2-3/16	076104	WSTU-SCED-203
	2-1/4	@	WSTU-SCED-204
	55mm	076281	WSTU-SCED-55M
212	2-1/4	@	WSTU-SCMED-204
	2-7/16	076105	WSTU-SCED-207
	60mm	076282	WSTU-SCED-60M
214	2-1/2	076200	WSTU-SCMED-208
	2-11/16	076106	WSTU-SCED-211
	70mm	076283	WSTU-SCED-70M
215	2-15/16	076107	WSTU-SCED-215
	75mm	076284	WSTU-SCED-75M

@ Assembled to order

SELECTION/DIMENSIONS



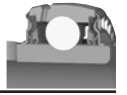
Extreme Duty Setscrew Ball Bearings SCED NORMAL DUTY WIDE SLOT TAKE-UP BEARINGS

Series	Shaft Size	Weight lbs kg	Take-Up Frame Size	A	B	C	D	E	F Screw Dia.	G	
209	1-5/8	6.1	WS400	1.94	5.63	0.688	3.25	3.44	1	0.63	
	1-11/16	6.0									
	1-3/4	5.9									
	1-13/16	5.8									
	45mm	2.7		49.3	143.0	17.48	82.6	87.4	25.4	16.0	
210	1-15/16	6.4	WS400	1.94	5.82	0.688	3.38	3.56	1	0.63	
	2	6.2									
	50mm	2.9		49.3	147.8	17.48	85.9	90.4	25.4	16.0	
211	2	10.1	WS502	2.22	6.69	1.063	3.75	4.19	1-1/4	0.75	
	2-3/16	10.0									
	2-1/4	9.8									
	55mm	4.5		56.4	169.9	27.00	95.3	106.4	31.8	19.1	
212	2-1/4	11.2	WS502	2.31	7.50	1.063	4.00	4.69	1-1/4	0.75	
	2-7/16	10.8									
	60mm	4.9		58.7	190.5	27.00	101.6	119.1	31.8	19.1	
214	2-1/2	18.0	WS515	2.54	8.56	1.063	4.75	5.38	1-1/2	0.81	
	2-11/16	17.8									
	70mm	8.0		64.5	217.4	27.0	120.7	136.7	38.1	20.6	
215	2-15/16	18.9	WS515	2.33	9.13	1.063	4.75	5.50	1-1/2	0.81	
	75mm	8.6									
				59.2	231.9	27.00	120.7	139.7	38.1	20.6	

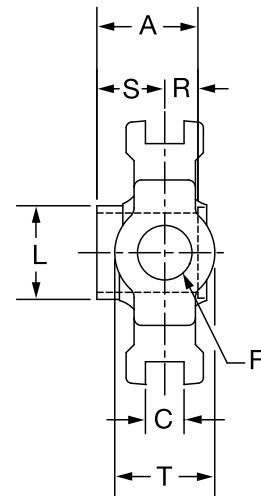
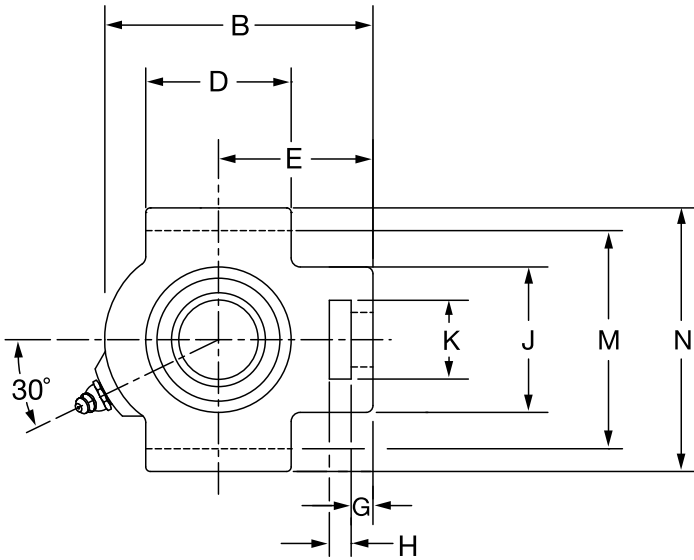
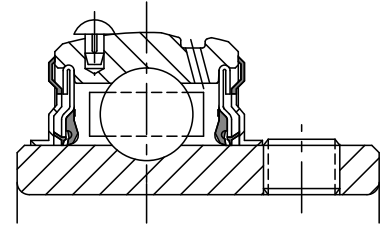
Series	Shaft Size	H	J	K	L	M	N	R	S	T
209	1-5/8	0.75	3.25	1.94	2.22	3.985/4.015	4.75	0.75	1.19	1.94
	1-11/16									
	1-3/4									
	1-13/16									
	45mm	19.1	82.6	49.3	56.4	101.22/101.98	120.7	19.1	30.2	49.3
210	1-15/16	0.75	3.25	1.94	2.43	3.985/4.015	4.75	0.75	1.19	1.94
	2									
	50mm	19.1	82.6	49.3	61.7	101.22/101.98	120.7	19.1	30.2	49.3
211	2	1.00	4.00	2.50	2.71	5.110/5.140	5.88	0.87	1.35	2.50
	2-3/16									
	2-1/4									
	55mm	25.4	101.6	63.5	68.8	129.79/130.56	149.4	22.1	34.3	63.5
212	2-1/4	1.25	4.00	2.50	2.97	5.110/5.140	5.88	0.90	1.41	2.50
	2-7/16									
	60mm	31.8	101.6	63.5	75.4	129.79/130.56	149.4	22.9	35.8	63.5
214	2-1/2	1.25	4.38	2.75	3.31	5.923/5.953	6.56	1.06	1.48	2.75
	2-11/16									
	70mm	31.8	111.3	69.9	84.1	150.44/151.21	166.6	26.9	37.6	69.9
215	2-15/16	1.25	4.38	2.75	3.62	5.923/5.953	6.69	0.86	1.47	2.75
	75mm									
		31.8	111.3	69.9	91.9	150.44/151.21	169.9	21.8	37.3	69.9

FEATURES/BENEFITS PAGE B3-2	EASY SELECTION PAGE B3-3	SELECTION PAGE B3-5	ACCESSORIES PAGE B3-41
--------------------------------	-----------------------------	------------------------	---------------------------

SELECTION/DIMENSIONS

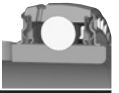


Extreme Duty Setscrew Ball Bearings SCMED MEDIUM DUTY WIDE SLOT TAKE-UP BEARINGS



Series	Shaft Size	Part No.	Description
206	1	076190	WSTU-SCMED-100
	25mm	076334	WSTU-SCMED-25M
207	1-3/16	076191	WSTU-SCMED-103
	1-1/4	076096	WSTU-SCMED-104
	30mm	076335	WSTU-SCMED-30M
208	1-7/16	076192	WSTU-SCMED-107
	35mm	076336	WSTU-SCMED-35M
209	1-1/2	076193	WSTU-SCMED-108
	40mm	076337	WSTU-SCMED-40M
210	1-11/16	076194	WSTU-SCMED-111
	1-3/4	076195	WSTU-SCMED-112
	45mm	076338	WSTU-SCMED-45M

SELECTION/DIMENSIONS



Extreme Duty Setscrew Ball Bearings SCMED MEDIUM DUTY WIDE SLOT TAKE-UP BEARINGS

Bearing Reference Guide

ULTRA KLEEN

E-Z KLEEN

Extreme Duty

Setscrew Ball Bearing

GRIP TIGHT

D-LOK Ball Bearing

Series	Shaft Size	Weight lbs. kgs.	Take-Up Frame No. Ref.	A	B	C	D	E	F Screw Dia.	G
206	1	2.9	WS308	1.52	4.38	0.531	2.25	2.75	3/4	0.38
	25mm	1.4		38.6	111.3	13.49	57.2	69.9	19.1	9.7
207	1-3/16	3.9	WS308	1.71	4.87	0.531	2.50	3.06	3/4	0.50
	1-1/4	3.8		43.4	123.7	13.49	63.5	77.7	19.1	12.7
208	1-7/16	6.1	WS400	1.94	5.69	0.688	3.25	3.50	1	0.63
	35mm	2.9		49.3	144.5	17.48	82.6	88.9	25.4	16.0
209	1-1/2	6.0	WS400	1.94	5.63	0.688	3.25	3.44	1	0.63
	40mm	2.8		49.3	143.0	17.48	82.6	87.4	25.4	16.0
210	1-11/16	6.5	WS400	1.94	5.82	0.688	3.38	3.56	1	0.63
	1-3/4	6.4		49.3	147.8	17.48	85.9	90.4	25.4	16.0
45mm	3.0									

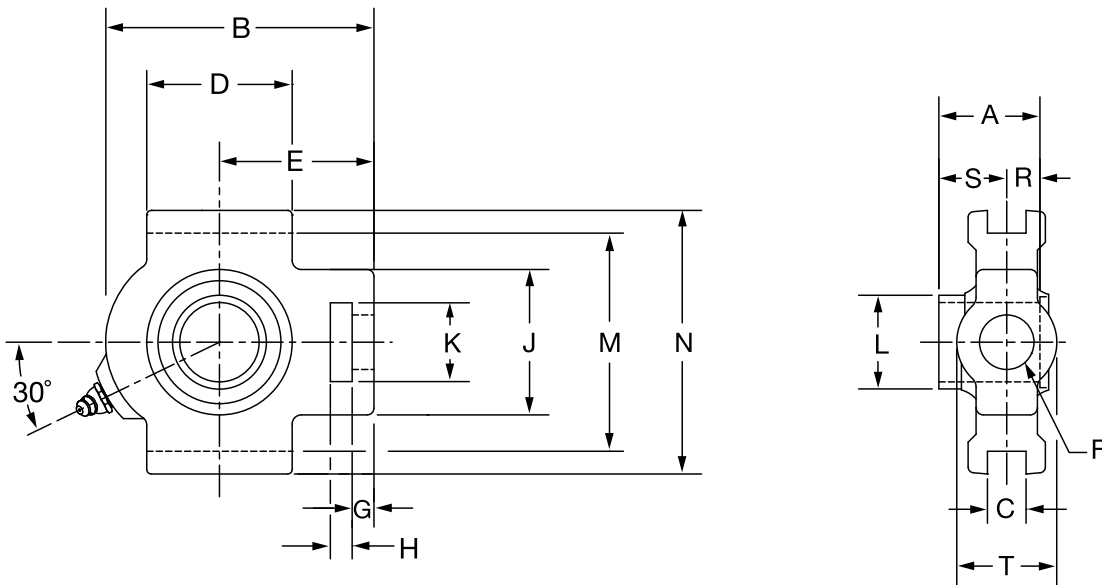
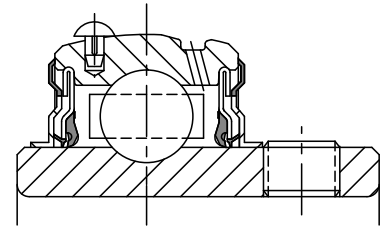
Series	Shaft Size	H	J	K	L	M	N	R	S	T
206	1	0.63	2.19	1.44	1.57	3.480/3.510	4.13	0.58	0.94	1.63
	25mm	16.0	55.6	36.6	39.9	88.39/89.15	104.9	14.7	23.9	41.3
207	1-3/16	0.63	2.50	1.44	1.84	3.480/3.510	4.13	0.67	1.04	1.63
	1-1/4									
208	30mm	16.0	63.5	36.6	46.7	88.39/89.15	104.9	17.0	26.4	41.3
	1-7/16	0.75	3.25	1.94	2.05	3.985/4.015	4.50	0.75	1.19	1.94
209	35mm	19.1	82.6	49.3	52.1	101.22/101.98	114.3	19.1	30.2	49.3
	1-1/2	0.75	3.25	1.94	2.22	3.985/4.015	4.75	0.75	1.19	1.94
210	40mm	19.1	82.6	49.3	56.4	101.22/101.98	120.7	19.1	30.2	49.3
	1-11/16	0.75	3.25	1.94	2.43	3.985/4.015	4.75	0.75	1.19	1.94
210	1-3/4									
	45mm	19.1	82.6	49.3	61.7	101.22/101.98	120.7	19.1	30.2	49.3

FEATURES/BENEFITS PAGE B3-2	EASY SELECTION PAGE B3-3	SELECTION PAGE B3-5	ACCESSORIES PAGE B3-41
--------------------------------	-----------------------------	------------------------	---------------------------

SELECTION/DIMENSIONS



Extreme Duty Setscrew Ball Bearings SCMED MEDIUM DUTY WIDE SLOT TAKE-UP BEARINGS

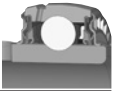


Series	Shaft Size	Part No.	Description
211	1-15/16	076196	WSTU-SCMED-115
	2	076197	WSTU-SCMED-200
	50mm	076339	WSTU-SCMED-50M
212	2-3/16	076198	WSTU-SCMED-203
	2-1/4	@	WSTU-SCMED-204
	55mm	076340	WSTU-SCMED-55M
214	2-7/16	076199	WSTU-SCMED-207
	2-1/2	076200	WSTU-SCMED-208
	65mm	076341	WSTU-SCMED-65M
215	2-11/16	076201	WSTU-SCMED-211
	70mm	076342	WSTU-SCMED-70M
216	2-15/16	076202	WSTU-SCMED-215
	3	076203	WSTU-SCMED-300
	75mm	076343	WSTU-SCMED-75M

@ Assembled to order

FEATURES/BENEFITS PAGE B3-2	EASY SELECTION PAGE B3-3	SELECTION PAGE B3-5	ACCESSORIES PAGE B3-41
--------------------------------	-----------------------------	------------------------	---------------------------

SELECTION/DIMENSIONS



Extreme Duty Setscrew Ball Bearings SCMED MEDIUM DUTY WIDE SLOT TAKE-UP BEARINGS

Bearing Reference Guide

ULTRA KLEEN

E-Z KLEEN

Extreme Duty

Setscrew Ball Bearing

GRIP TIGHT

D-LOK Ball Bearing

Series	Shaft Size	Weight lbs. kgs.	Take-Up Frame No. Ref.	A	B	C	D	E	F Screw Dia.	G
211	1-15/16	10.1	WS502	2.22	6.69	1.063	3.75	4.19	1-1/4	0.75
	2	10.2		56.4	169.9	27.00	95.3	106.4	31.8	19.1
	50mm	4.7								
212	2-3/16	11.4	WS502	2.31	7.50	1.063	4.00	4.69	1-1/4	0.75
	2-1/4	11.2		58.7	190.5	27.00	101.6	119.1	31.8	19.1
	55mm	5.1								
214	2-7/16	18.2	WS515	2.54	8.56	1.063	4.75	5.38	1-1/2	0.81
	2-1/2	18.0		64.5	217.4	27.0	120.7	136.7	38.1	20.6
	65mm	8.1								
215	2-11/16	19.0	WS515	2.33	9.13	1.063	4.75	5.50	1-1/2	0.81
	70mm	8.9		59.2	231.9	27.00	120.7	139.7	38.1	20.6
216	2-15/16	21.7	WS608	2.38	9.13	1.063	4.75	2.38	1-1/2	0.81
	3	21.5		60.5	231.6	27.00	120.7	60.5	38.1	20.6
	75mm	9.5								

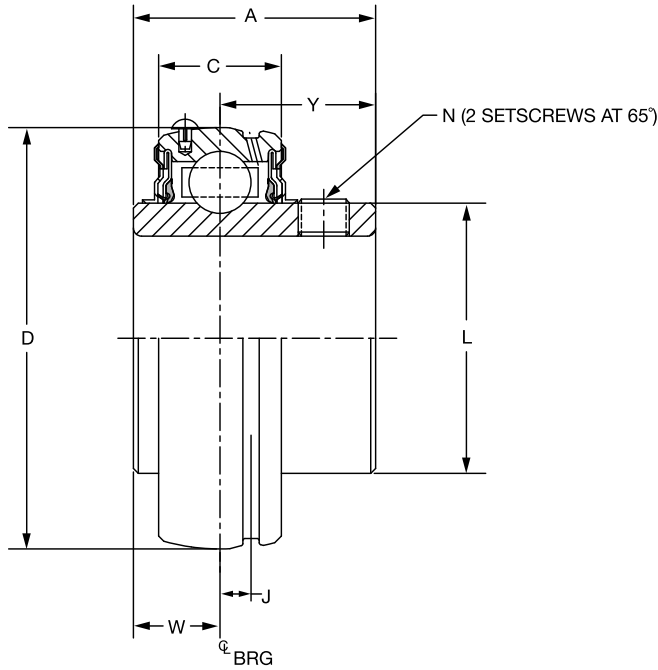
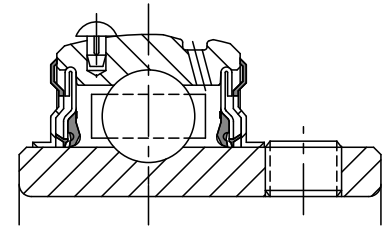
Series	Shaft Size	H	J	K	L	M	N	R	S	T
211	1-15/16	1.00	4.00	2.50	2.71	5.110/5.140	5.88	0.87	1.35	2.50
	2	25.4	101.6	63.5	68.8	129.79/130.56	149.4	22.1	34.3	63.5
	50mm									
212	2-3/16	1.25	4.00	2.50	2.97	5.110/5.140	5.88	0.90	1.41	2.50
	2-1/4	31.8	101.6	63.5	75.4	129.79/130.56	149.4	22.9	35.8	63.5
	55mm									
214	2-7/16	1.25	4.38	2.75	3.31	5.923/5.953	6.56	1.06	1.48	2.75
	2-1/2	31.8	111.3	69.9	84.1	150.44/151.21	166.6	26.9	37.6	69.9
	65mm									
215	2-11/16	1.25	4.38	2.75	3.62	5.923/5.953	6.69	0.86	1.47	2.75
	70mm	31.8	111.3	69.9	91.9	150.44/151.21	169.9	21.8	37.3	69.9
216	2-15/16	1.25	4.38	2.75	3.83	6.485/6.515	7.25	0.88	1.50	2.75
	3	31.8	111.3	69.9	97.3	164.72/165.48	184.2	22.4	38.1	69.9
	75mm									

FEATURES/BENEFITS PAGE B3-2	EASY SELECTION PAGE B3-3	SELECTION PAGE B3-5	ACCESSORIES PAGE B3-41
--------------------------------	-----------------------------	------------------------	---------------------------

SELECTION/DIMENSIONS



Extreme Duty Setscrew Ball Bearings SCED NORMAL DUTY BEARING INSERTS

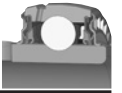


Series	Shaft Size	Standard Insert Part No.	Description	Weight Lbs kg	A	C	D	J	L	N	W	Y
204	1/2	@	INS-SCED-008L	.38	1.23	0.58	1.8504	0.15	1.12	1/4-28	0.50	0.73
	5/8	@	INS-SCED-010L	.35								
	3/4	076108	INS-SCED-012	.32								
	20mm	@	INS-SCED-20M	.16	31.2	14.7	47.000	3.8	28.4	M6x1	12.7	18.5
205	7/8	@	INS-SCED-014	.43	1.34	0.59	2.0472	0.16	1.32	1/4-28	0.56	0.78
	15/16	@	INS-SCED-015	.40								
	1	076109	INS-SCED-100	.37								
	25mm	076286	INS-SCED-25M	.18	34.0	15.0	52.000	4.1	33.5	M6x1	14.2	19.8
206	1-1/16	@	INS-SCED-101	.67	1.52	0.69	2.4409	0.16	1.57	5/16-24	0.58	0.94
	1-1/8	076110	INS-SCED-102	.63								
	1-3/16	076111	INS-SCED-103	.60								
	1-1/4	076112	INS-SCED-104S	.58								
	30mm	076287	INS-SCED-30M	.27	38.6	17.5	62.000	4.1	39.9	M8x1.25	14.7	23.9
207	1-1/4	076113	INS-SCED-104	1.02	1.71	0.75	2.8346	0.20	1.84	5/16-24	0.67	1.04
	1-5/16	@	INS-SCED-105	.97								
	1-3/8	076114	INS-SCED-106	.92								
	1-7/16	076115	INS-SCED-107	.86								
	35mm	076288	INS-SCED-35M	.44	43.4	19.1	72.000	5.1	46.7	M8x1.25	17.0	26.4

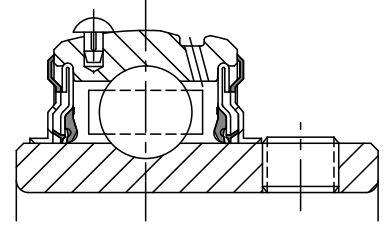
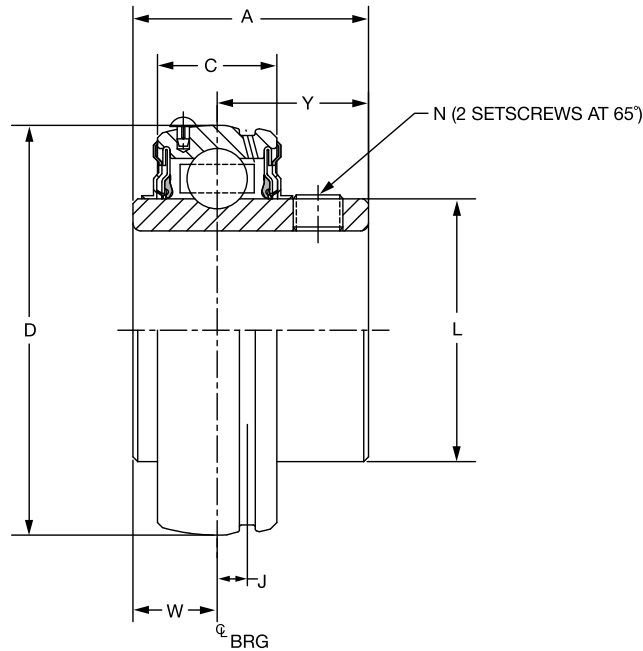
@ Assembled to order

FEATURES/BENEFITS PAGE B3-2	EASY SELECTION PAGE B3-3	SELECTION PAGE B3-5	ACCESSORIES PAGE B3-41
--------------------------------	-----------------------------	------------------------	---------------------------

SELECTION/DIMENSIONS



Extreme Duty Setscrew Ball Bearings SCED NORMAL DUTY BEARING INSERTS



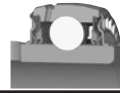
Series Size	Shaft	Standard Insert Part No.	Description	Weight Lbs kg	A	C	D	J	L	N	W	Y
208	1-1/2	076116	INS-SCED-108	1.27	1.94	0.87	3.1496	0.22	2.05	5/16-24	0.75	1.19
	1-5/8	@	INS-SCED-110	1.13								
	40mm	076289	INS-SCED-40M	0.51	49.3	22.1	80.000	5.6	52.1	M8x1.25	19.1	30.2
209	1-5/8	@	INS-SCED-110L	1.49	1.94	0.87	3.3465	0.25	2.22	5/16-24	0.75	1.19
	1-11/16	076117	INS-SCED-111	1.43								
	1-3/4	076118	INS-SCED-112	1.36								
	1-13/16	@	INS-SCED-113	1.30								
210	45mm	076290	INS-SCED-45M	0.62	49.3	22.1	85.000	6.4	56.4	M8x1.25	19.1	30.2
	1-15/16	076119	INS-SCED-115	1.48	1.94	0.87	3.5433	0.25	2.43	3/8-24	0.75	1.19
	2	076120	INS-SCED-200	1.39								
211	50mm	076291	INS-SCED-50M	0.67	49.3	22.1	90.000	6.4	61.7	M10x1.5	19.1	30.2
	2	076211	INS-SCMED-200	2.26	2.22	0.94	3.9370	0.25	2.71	3/8-24	0.87	1.35
	2-3/16	076121	INS-SCED-203	1.97								
212	2-1/4	@	INS-SCED-204	1.87								
	55mm	076292	INS-SCED-55M	0.89	56.4	23.9	100.000	6.4	68.8	M10x1.5	22.1	34.3
	2-1/4	076122	INS-SCMED-204	2.85	2.31	1.02	4.3307	0.25	2.97	3/8-24	0.90	1.41
214	2-7/16	076122	INS-SCED-207	2.49								
	60mm	076293	INS-SCED-60M	1.13	58.7	25.9	110.000	6.4	75.4	M10x1.5	22.9	35.8
	2-1/2	076214	INS-SCMED-208	4.25	2.54	1.10	4.9213	0.26	3.31	3/8-24	1.06	1.48
215	2-11/16	076123	INS-SCED-211	3.60								
	70mm	076294	INS-SCED-70M	1.63	64.5	27.9	125.000	6.6	84.1	M10x1.5	26.9	37.6
	2-15/16	076124	INS-SCED-215	3.86	2.33	1.14	5.1181	0.28	3.62	3/8-24	0.86	1.47
218	75mm	076295	INS-SCED-75M	1.75	59.2	29.0	130.000	7.1	91.9	M10x1.5	21.8	37.3
	90mm	@	INS-SCED-90M	3.3	65.0	34.0	160.000	7.6	110.5	M10x1.5	24.4	40.6

@ Assembled to order.

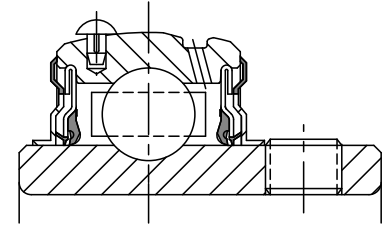
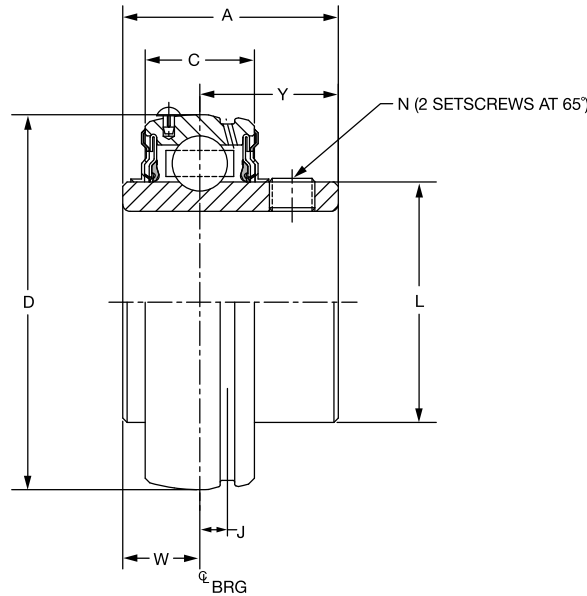
* 20 piece minimum

FEATURES/BENEFITS PAGE B3-2	EASY SELECTION PAGE B3-3	SELECTION PAGE B3-5	ACCESSORIES PAGE B3-41
--------------------------------	-----------------------------	------------------------	---------------------------

SELECTION/DIMENSIONS



Extreme Duty Setscrew Ball Bearings SCMED MEDIUM DUTY BEARING INSERTS

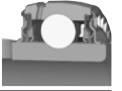


Series	Shaft Size	Standard Insert Part No.	Description	Weight Lbs. kg	A	C	D	J	L	N	W	Y
206	1	076204	INS-SCMED-100	0.71	1.52	0.69	2.4409	0.16	1.57	5/16-24	0.58	0.94
	25mm	076344	INS-SCMED-25M	0.32	38.6	17.5	62.000	4.1	39.9	M8x1.25	14.7	23.9
207	1-3/16	076205	INS-SCMED-103	1.07	1.71	0.75	2.8346	0.20	1.84	5/16-24	0.67	1.04
	1-1/4	076113	INS-SCED-104	1.02								
	30mm	076287	INS-SCED-30M	0.53	43.4	19.1	72.000	5.1	46.7	M8x1.25	17.0	26.4
208	1-7/16	076206	INS-SCMED-107	1.32	1.94	0.87	3.1496	0.22	2.05	5/16-24	0.75	1.19
	1-1/2#	076116	INS-SCED-108	1.27								
	35mm	076346	INS-SCMED-35M	0.60	49.3	22.1	80.000	5.6	52.1	M8x1.25	19.1	30.2
209	1-1/2	076207	INS-SCMED-108	1.62	1.94	0.87	3.3465	0.25	2.22	5/16-24	0.75	1.19
	1-5/8	@	INS-SCED-110L	1.49								
	40mm	076347	INS-SCMED-40M	0.71	49.3	22.1	85.000	6.4	56.4	M8x1.25	19.1	30.2
210	1-11/16	076208	INS-SCMED-111	1.82	1.94	0.87	3.5433	0.25	2.43	3/8-24	0.75	1.19
	1-3/4	076209	INS-SCMED-112	1.74								
	45mm	076348	INS-SCMED-45M	0.76	49.3	22.1	90.000	6.4	61.7	M10x1.5	19.1	30.2
211	1-15/16	076210	INS-SCMED-115	2.36	2.22	0.94	3.9370	0.25	2.71	3/8-24	0.87	1.35
	2	076211	INS-SCMED-200	2.26								
	50mm	076349	INS-SCMED-50M	1.03	56.4	23.9	100.000	6.4	68.8	M10x1.5	22.1	34.3
212	2-3/16	076212	INS-SCMED-203	2.97	2.31	1.02	4.3307	0.25	2.97	3/8-24	0.90	1.41
	2-1/4	@	INS-SCMED-204	2.85								
	55mm	076350	INS-SCMED-55M	1.27	58.7	25.9	110.000	6.4	75.4	M10x1.5	22.9	35.8
214	2-7/16	076213	INS-SCMED-207	4.39	2.54	1.10	4.9213	0.26	3.31	3/8-24	1.06	1.48
	2-1/2	076214	INS-SCMED-208	4.25								
	60mm	076351	INS-SCMED-65M	1.86	64.5	27.9	125.000	6.6	84.1	M10x1.5	26.9	37.6
215	2-11/16	076215	INS-SCMED-211	4.49	2.33	1.14	5.1181	0.28	3.62	3/8-24	0.86	1.47
	70mm	076352	INS-SCMED-70M	1.98	59.2	29.0	130.000	7.1	91.9	M10x1.5	21.8	37.3
216	2-15/16	076216	INS-SCMED-215	5.54	2.38	1.18	5.5118	0.29	3.83	3/8-24	0.88	1.50
	3	076217	INS-SCMED-300	5.52								
	75mm	076353	INS-SCMED-75M	2.51	60.5	30.0	140.000	7.4	97.3	M10x1.5	22.4	38.1
218	3-7/16	076218	INS-SCMED-307	7.35	2.56	1.34	6.2992	0.30	4.35	3/8-24	0.96	1.60
	3-1/2	076219	INS-SCMED-308	7.33								
	85mm	076354	INS-SCMED-85M	3.33	65.0	34.0	160.000	7.6	110.5	M10x1.5	24.4	40.6

@ Assembled to order

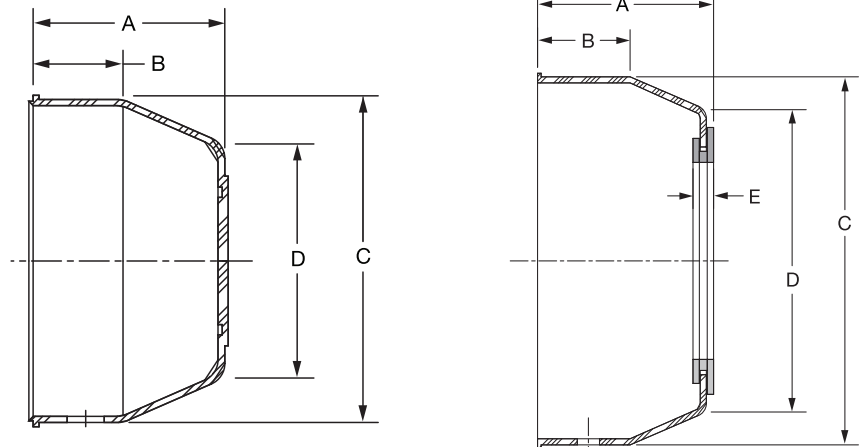
SCM Piloted Flange Only

FEATURES/BENEFITS PAGE B3-2	EASY SELECTION PAGE B3-3	SELECTION PAGE B3-5	ACCESSORIES PAGE B3-41
--------------------------------	-----------------------------	------------------------	---------------------------



ACCESSORIES

Extreme Duty Setscrew Ball Bearing END CLOSURES

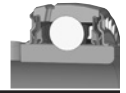


Series	Closed End Closure	
	Part Number	Description
204	128280	EC-204-Y
205	128281	EC-205-Y
206	128282	EC-206-Y
207	128283	EC-207-Y
208	128284	EC-208-Y
209	128285	EC-209-Y
210	128286	EC-210-Y
211	128277	EC-211-Y
212	128278	EC-212-Y
214	128220	EC-214
215	128221	EC-215
216	128222	EC-216
218	128223	EC-218

Open End Closure		
Shaft Size	Part Number	Description
3/4	128350	ECO-012-Y
20mm	128363	ECO-20M-Y
1	128351	ECO-100-Y
25mm	128364	ECO-25M-Y
1-3/16	128352	ECO-103-Y
1-1/4	128353	ECO-104S-Y
30mm	128365	ECO-30M-Y
1-1/4	128355	ECO-104-Y
1-7/16	128354	ECO-107-Y
35mm	128366	ECO-35M-Y
1-1/2	128356	ECO-108-Y
40mm	128367	ECO-40M-Y
1-11/16	128357	ECO-111-Y
45mm	128368	ECO-45M-Y
1-15/16	128358	ECO-115-Y
50mm	128369	ECO-50M-Y
1-15/16	079702	ECO-115 (211) †
2	079701	ECO-200 (211) †
2-3/16	079700	ECO-203 (211)
2-1/4	079699	ECO-204 (211)
50mm	079698	ECO-50M (211) †
55mm	079697	ECO-55M (211)
2-3/16	079696	ECO-203 (212) †
2-1/4	079695	ECO-204 (212) †
2-7/16	079694	ECO-207 (212)
55mm	079693	ECO-55M (212) †
60mm	079692	ECO-60M (212)
2-7/16	127328	ECO-207 (214) †
2-1/2	127329	ECO-208 (214) †
2-11/16	127330	ECO-211 (214)
65mm	127337	ECO-65M (214) †
70mm	127338	ECO-70M (214)
2-11/16	127331	ECO-211 (215) †
2-15/16	127332	ECO-215 (215)
70mm	127339	ECO-70M (215) †
75mm	127340	ECO-75M (215)
2-15/16	127333	ECO-215 (216) †
3	127334	ECO-300 (216) †
75mm	127340	ECO-75M (216) †
3-7/16	127335	ECO-307 (218) †
3-1/2	127336	ECO-308 (218) †
85MM	127342	ECO-85M (218) †
90MM	127343	ECO-90M (218)

† SCM Series only

FEATURES/BENEFITS PAGE B3-2	EASY SELECTION PAGE B3-3	SELECTION PAGE B3-5	SELECTION/DIMENSIONS PAGE B3-8
--------------------------------	-----------------------------	------------------------	-----------------------------------



ACCESSORIES

Extreme Duty Setscrew Ball Bearings

Open Cover Dimensions

Series	Shaft Size	A	B	C	D	E
204	3/4	1.19	0.53	1.91	1.38	0.19
	20mm	30.2	13.5	48.4	35.1	4.9
205	1	1.25	0.53	2.17	1.61	0.19
	25mm	31.8	13.5	55.1	40.9	4.9
206	1-3/16	1.39	0.56	2.50	0.97	0.19
	1-1/4					
	30mm	35.3	14.2	63.5	50.0	4.9
207	1-1/4	1.53	0.69	2.91	2.31	0.19
	1-7/16					
208	35mm	38.9	17.5	73.9	58.9	4.9
	1-1/2	1.59	0.69	3.31	2.77	0.20
209	40mm	40.6	17.5	84.1	70.1	5.1
	1-11/16	1.66	0.72	3.50	2.88	0.20
210	45mm	41.9	18.3	88.9	72.9	5.1
	1-15/16	1.72	0.91	3.63	3.00	0.20
211	50mm	43.7	23.1	91.4	76.2	5.1
	1-15/16	1.80	0.97	3.94	3.30	0.21
	2					
	2-3/16					
	2-1/4	50mm	45.5	24.6	100.1	83.6
212	55mm	1.91	1.00	4.38	3.66	0.21
	2-3/16					
	2-1/4					
	2-7/16					
214	55mm	48.3	25.4	111.3	92.7	5.3
	60mm	3.00	1.50	4.90	3.75	0.30
	2-7/16					
	2-1/2					
	215	2-11/16	76.2	38.1	124.5	95.3
2-15/16		3.00	1.50	5.20	4.00	0.30
70mm						
216	75mm	76.2	38.1	132.1	101.6	5.3
	2-15/16	3.00	1.50	5.50	4.38	0.30
	3					
218	75mm	76.2	38.1	139.7	111.1	5.3
	3-7/16	3.09	1.50	6.25	5.00	0.30
	3-1/2					
218	85mm	78.6	38.1	158.8	127.0	5.3
	90mm					

Closed Cover Dimensions

Series	Shaft Size	A	B	C	D
204	3/4	1.13	0.53	1.91	1.38
	20mm	28.7	13.5	48.4	35.1
205	1	1.19	0.53	2.17	1.61
	25mm	30.2	13.5	55.1	40.9
206	1-3/16	1.33	0.56	2.50	0.97
	1-1/4				
	30mm	33.8	14.2	63.5	50.0
207	1-1/4	1.47	0.69	2.91	2.31
	1-7/16				
208	35mm	37.3	17.5	73.9	58.9
	1-1/2	1.55	0.69	3.31	2.77
209	40mm	39.1	17.5	84.1	70.1
	1-11/16	1.59	0.72	3.50	2.88
210	45mm	40.4	18.3	88.9	72.9
	1-15/16	1.66	0.91	3.62	3.00
211	50mm	42.2	23.1	91.4	76.2
	1-15/16	1.80	0.97	3.94	3.30
	2				
	2-3/16				
	2-1/4	50mm	45.5	24.6	100.1
212	55mm	1.91	1.00	4.38	3.66
	2-3/16				
	2-1/4				
	2-7/16				
214	55mm	48.3	25.4	111.3	92.7
	60mm	3.00	1.50	4.90	3.75
	2-7/16				
	2-1/2				
	215	2-11/16	76.2	38.1	124.5
2-15/16		3.00	1.50	5.20	4.00
70mm					
216	75mm	76.2	38.1	132.1	101.6
	2-15/16	3.00	1.50	5.50	4.38
	3				
218	75mm	76.2	38.1	139.7	111.1
	3-7/16	3.09	1.50	6.25	5.00
	3-1/2				
218	85mm	78.6	38.1	158.8	127.0
	90mm				

FEATURES/BENEFITS PAGE B3-2	EASY SELECTION PAGE B3-3	SELECTION PAGE B3-5	SELECTION/DIMENSIONS PAGE B3-8
--------------------------------	-----------------------------	------------------------	-----------------------------------



Setscrew Ball Bearings

Features / Benefits	B4-3
How to Order / Nomenclature	B4-5
Selection	B4-6
Selection/Dimensions	
Pillow Blocks	
SC - Normal Duty	B4-12
SCAH Air Handling Normal Duty	B4-16
SCB Normal Duty	B4-20
SCBAH Air Handling Normal Duty	B4-22
SCH-E Expansion and Non-Expansion	B4-24
SCM Medium Duty	B4-26
SCMAH Air Handling Medium Duty	B4-28
SL Light Duty	B4-30
SC Normal Duty Tapped Base	B4-32
Flanges	
2-Bolt Flange	B4-34
3-Bolt Flange	B4-50
4-Bolt Flange	B4-54
Piloted Flange	B4-66
Take-Ups	
SC-Normal Duty Narrow Slot	B4-70
SC-Normal Duty Wide Slot	B4-74
SCM-Medium Duty Wide Slot	B4-78
Type G Normal Duty Top Angle	B4-82
Hanger Bearings	
SC Normal Duty Screw Conveyor	B4-84
SC Normal Duty	B4-86
SC Normal Duty Cylindrical Units	B4-87
Inserts	
SC - Normal Duty Inserts	B4-88
SCH Expansion and Non-Expansion	B4-92
SCM Medium Duty	B4-94
LF/LFT/SL Bearing Inserts	B4-96
Modification/Accessories	B4-98
Related Products	
High Temperature Ball Bearings	B4-99
End Closures	B4-102
Part Number Index	INDEX-1
Key Word Index	KEYWORD-1



CONTENTS

Bearing Reference
Guide

ULTRA KLEEN

E-Z KLEEN

Extreme Duty

Setscrew Ball Bearing

GRIP TIGHT

D-LOK Ball Bearing



FEATURES/BENEFITS

Setscrew Ball Bearings

For over 70 years, DODGE has been talking to mounted bearing users and listening to their needs. This experience led to the design of the optimum mounted ball bearing. A state-of-the-art facility was built to manufacture the new DODGE design.

The result is the DODGE SC/SCM/SL line. Its premium features make it the most reliable setscrew mounted ball bearing on the market and provides the user unmatched quality and true total value.

- Light Duty Narrow Inner Ring (SL)
- Normal Duty Wide Inner Ring (SC)
- Medium Duty Wide Inner Ring (SCM)
- Wide Variety of Housing Configurations
- Available in 1/2 to 3-1/2 (17 to 90mm) Bore Sizes
- Seal Options:
 - DUALGUARD seal
 - ProGuard Seal
 - Rubberized flinger
 - Low friction labyrinth on SC/ SCM
- Other Options:
 - FDA/USDA lubricant and other special lubricants
 - High temperature SC/SCM designed for temperatures from 225° F to 400° F. Factory assembled to order.

For application assistance, contact DODGE Engineering

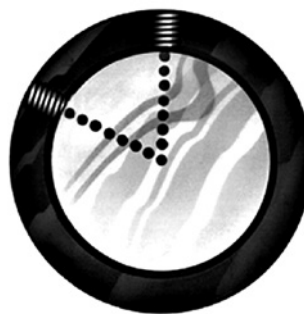
Phone 864-284-5700

Fax 864-281-2317

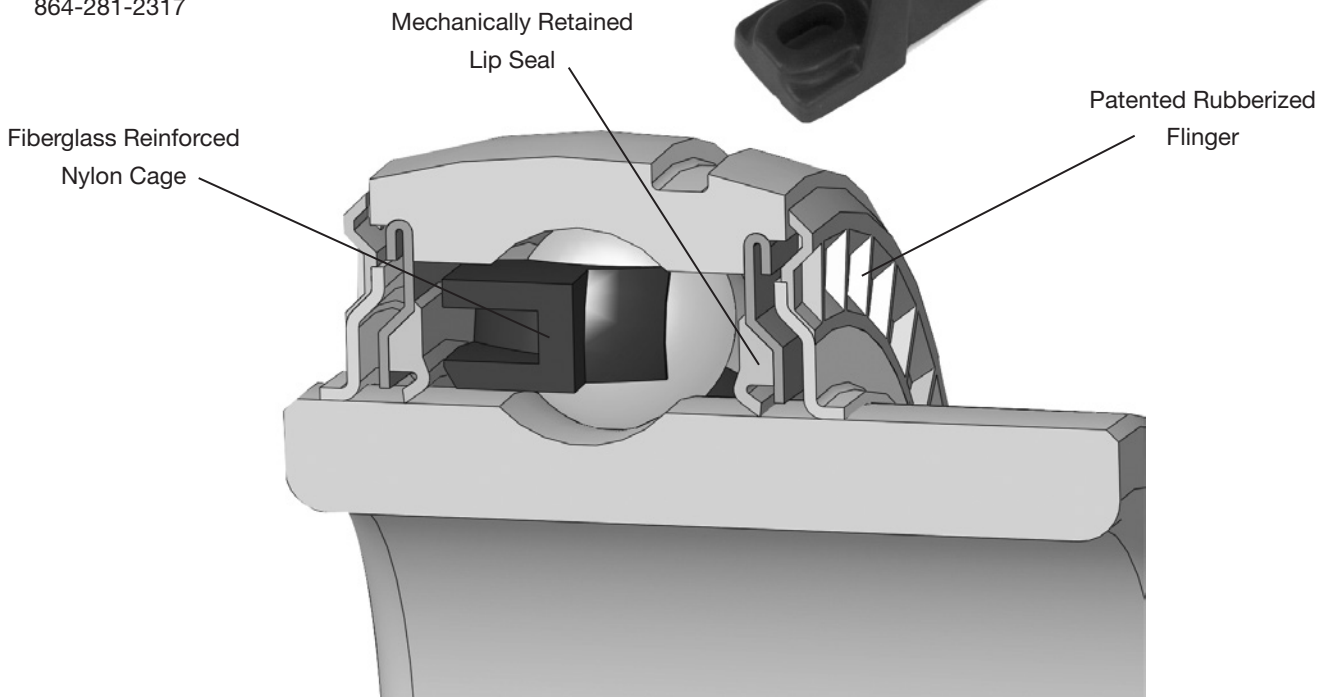
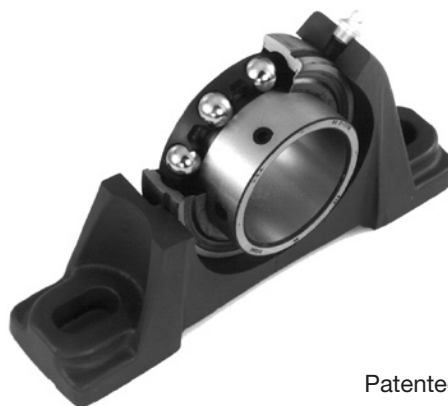
DODGE End Covers

Available from stock to fit SC, SCM and VSC mounted units, these end covers are designed for added protection from contaminants as well as for OSHA requirements. Covers are OSHA yellow.

Superior Locking Forces



The DODGE SC/SCM/SL line uses 65° design which offers an optimum balance between locking force and inner ring stress.

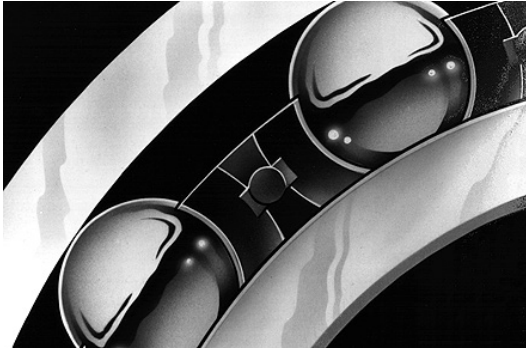


Note: Instruction manuals and drawings for Dodge bearings are available on www.dodge-pt.com



FEATURES/BENEFITS

Stronger, More Flexible Cage



The ball cage is made of heat-stabilized nylon with 33% fill short fiberglass reinforcement for added strength. The nylon material provides a natural lubricity for longer life. Fiberglass reinforcement allows higher operating temperatures than plain nylon, yet it is more resistant to fatigue than metallic cages. Short fiberglass allows greater flexibility than steel or normal fiberglass, especially under misalignment. That means longer life in mounted bearings where some degree of misalignment is unavoidably encountered.

Anti-Rotation Pin (SC,SCM)

An anti-rotation pin prevents rotation of the outer race within the housing. Simple and effective, it makes system inserts easier to replace. There is no need to remove and replace grease fittings, location pins or other devices.



Simplified Anti-rotation device

Note: Instruction manuals and drawings for Dodge bearings are available on www.dodge-pt.com

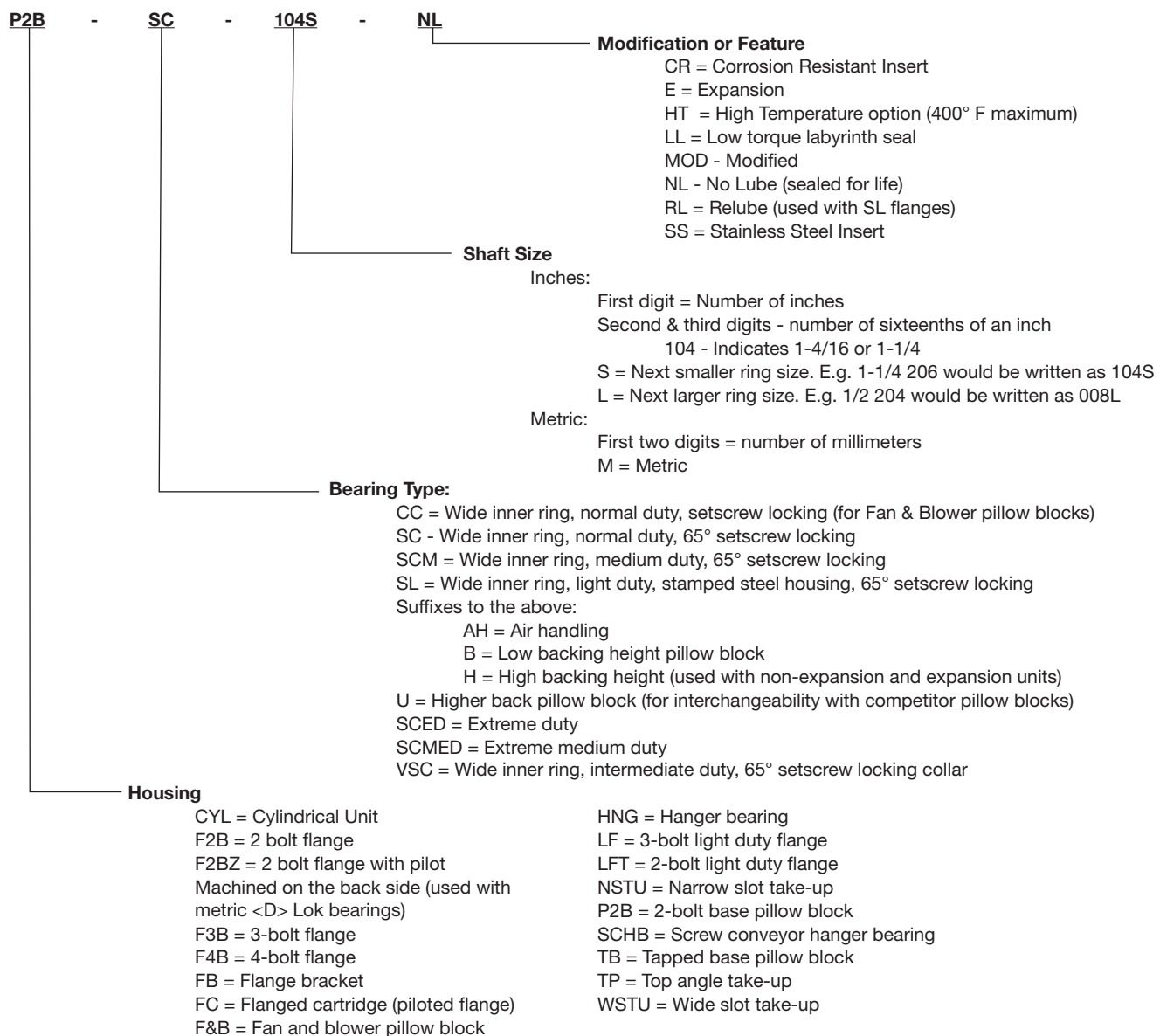


HOW TO ORDER/NOMENCLATURE

Setscrew Ball Bearings HOW TO ORDER

There are two ways to specify DODGE Bearings. Most of the product offering have part numbers with listings shown throughout this catalog. Use of part numbers ensures accurate ordering processing.

When part numbers are not shown, the product may be specified by description or part name. This method is used when ordering units that include modifications or options. To order by description, use the nomenclature key shown below and add any special instructions to the end of the description for options not covered by the nomenclature.



FEATURES/BENEFITS PAGE B4-3	SELECTION PAGE B4-6	SELECTION/DIMENSIONS PAGE B4-12	ACCESSORIES PAGE B4-98
--------------------------------	------------------------	------------------------------------	---------------------------



SELECTION

Setscrew Ball Bearings

Bearing Reference Guide

ULTRA KLEEN

E-Z KLEEN

Extreme Duty

Setscrew Ball Bearing

GRIP TIGHT

D-LOK Ball Bearing

Recommended Torque													
◆ Setscrews					D-LOK			Mounting Bolts					
Setscrew Size	Key Hex Across Flats	Recommended Torque			Cap Screw Size	Recom. Torque	EZ-KLEEN Recom. Torque	Metal Housings		EZ-KLEEN Housed Bearings			
		Standard Ball Bearing Insert		Corrosion Resistant Stainless Steel				Bolt Size	Recom. Dry Torque (Grade 2)	2-Bolt PB, 2 & 4 Bolt Fig. and Fig. Brackets		Tapped Base PB	
		Min	Max							Bolt Size	Torque ①	Bolt Size	Torque ②
(in.)	(in.)	(in.-lbs.)	(in.-lbs.)	(in.-lbs.)	(in.)	(in.0lbs.)	(in.-lbs.)	(in.)	(in.0lbs.)	(in.)	(in.-lbs.)	(in.)	(in.-lbs.)
#10	3/32	28	33	25	#8-32	58	46	3/8-16	240	3/8-16	225	3/8-16	175
1/4	1/8	66	80	60	#10-32	90	72	7/16-14	384	7/16-14	350	7/16-14	350
5/16	5/32	126	156	117	1/4-28	180	144	1/2-13	600	1/2-13	500	1/2-13	400
3/8	3/16	228	275	206	5/16-24	400	320	5/8-11	1200	9/16-12	650		
7/16	7/32	342	428	321	3/8-24	750	600	3/4-10	1950	5/8-11	1000		
								7/8-9	2890				
(mm)	(mm)	(N-m)	(N-m)	(N-m)	(mm)	(N-m)	(N-m)	(mm)	(N-m)	(mm)	(N-m)	① Torque for Austenitic (18-8) Stainless	
M5	2.5	3.2	3.7	2.8	M4	585	4.68	M10	29	M8	15	② Max. torque values published. Do not exceed	
M6	3	6.2	7.7	5.8	M5	10.75	8.6	M12	50	M10	25		
M8	4	14.2	17.8	13.4	M6	20.5	16.4	M16	124	M12	50		
M10	5	26	31	23	M8	45	36	M20	238	M14	75		
M12	6	46	57	43				M22	322	M18	125		

Lubrication

High Speed Operation - In the higher speed ranges, too much grease will cause over-heating. The amount of grease that the bearing will take for a particular high speed application can only be determined by experience. If excess grease in the bearing causes overheating, it will be necessary to remove grease fitting to permit excess grease to escape. The bearing has been greased at the factory and is ready to run. When establishing a relubrication schedule, note that a small amount of grease at frequent intervals is preferable to a large amount at infrequent intervals.

◆ **Note:** Dodge does not recommend the use of oils or locking agents on setscrew threads. However, if utilized, the minimum installation torque values should be followed.

Lubrication Guide								
Use a No. 2 Lithium complex base grease or equivalent*								
Hours Run per Day	Suggested Lubrication Period in Weeks							
	1 to 250 RPM	251 to 500 RPM	501 to 750 RPM	751 to 1000 RPM	1001 to 1500 RPM	1501 to 2000 RPM	2001 to 2500 RPM	2501 to 3000 RPM
8	12	12	10	7	5	4	3	2
16	12	7	5	4	2	2	1	1
24	10	5	3	2	1	1	1	1

* For EZ-KLEEN series bearings, use an aluminum complex base grease.

Lubrication recommendations are intended for standard products applied in general operating conditions. For modified products, high temperature applications, and other anomalous applications contact product engineering at 864-284-5700.

Note: Bearing analysis program "BEST" is available on www.ptwizard.com

FEATURES/BENEFITS PAGE B4-3	HOW TO ORDER/NOMENCLATURE PAGE B4-5	SELECTION/DIMENSIONS PAGE B4-12	ACCESSORIES PAGE B4-98
--------------------------------	--	------------------------------------	---------------------------

SELECTION



Setscrew Ball Bearings

DODGE mounted ball bearings are primarily designed for radial loading. However, they have the capacity to carry thrust loads and combined radial/thrust loads. The maximum recommended load which can be applied is limited by various components in the system, such as bearing, housing, shaft attachments, speed and life requirements. DODGE mounted ball bearings have been applied successfully when these limits have been exceeded under controlled operating conditions. Contact DODGE Engineering for applications which exceed these recommendations.

Select a bearing from the Selection Chart that has a radial load rating at the operating speed equal to or greater than the calculated Equivalent Radial load for a desired L_{10} life. This simple method is all that is required for the majority of general applications and provides for occasional average shock loads.

L_{10} Hours Life-is the life which may be expected for at least 90% of a given group of bearings operating under identical conditions.

For an L_{10} hours life other than those listed in the Selection Chart, multiply the equivalent Radial load by one of the following factors. For 50,000 L_{10} hours life, use a factor of 1.18 and for 80,000, use 1.39. Then select a bearing from the bold face (30,000) L_{10} ratings only in the Selection Chart that has a rating equal to or greater than this value.

Heavy Service-For heavy shock loads, frequent shock loads or severe vibrations, add up to 50% (according to severity of conditions) to the Equivalent Radial Load to obtain a Modified Equivalent Radial Load. Consult Application Engineering for additional selection assistance.

A thrust load value of $C/10$ is recommended as a guide for general applications and will give adequate L_{10} life. Where substantial radial load pulls the housing away from the mounting base, both the hold-down bolts and housing must be of adequate strength. Auxiliary load carrying devices, such as shear bars, are advisable for side or end-loading of pillow blocks and radial loads for flange units.

To determine the L_{10} hours life for loads and RPM's not listed use the following equation:

$$L_{10} = \left(\frac{C}{P} \right)^3 \times \frac{16,667}{N}$$

Where:

L_{10} = Life, hours

C = Dynamic Capacity, lbs. or N

P = Equivalent Radial Load, lbs. or N

N = Revolutions per minute

When the load on a ball bearing is solely a radial load with no thrust (axial) load, the Equivalent Radial Load (P) is equal to the actual radial load. However, when a thrust (axial) load is applied, the radial and thrust loads applied must be converted into an Equivalent Radial Load. The use of the X (radial factor) and Y (thrust factor) from Table 1 convert the actual applied thrust and radial loads to an Equivalent Radial Load

which has the same effect on the life of a bearing as a radial load of this magnitude.

$$P = (X \times F_R) + (Y \times F_A)$$

Where:

P = Equivalent Radial Load, lbs.

F_R = Radial load, lbs.

F_A = Thrust load, lbs.

e = Thrust load to radial load factor (Table 1)

X = Radial load factor (Table 1)

Y = Thrust factor (Table 1)

C_0 = Basic static capacity

To find X and Y, first calculate F_A/C_0 to determine e. Calculate F_A/F_R and compare to e to determine the X and Y factors to use from Table 1.

Substitute all known values into the Equivalent Radial Load equation. The Equivalent Radial loads (P) thus determined can be used in the L_{10} life formula or compared to the allowable Equivalent Radial Load rating desired in the expanded rating chart to select a bearing (Table 2).

If calculated value of P is less than F_R , use $P=F_R$.

F_A / C_0	e	Radial/Thrust Factors			
		If F_A/F_R is equal to or less than e		If F_A/F_R is greater than e	
		$F_A/F_R \leq e$		$F_A/F_R > e$	
		X	Y	X	Y
0.014	0.19	1	0	0.56	2.30
0.021	0.21	1	0	0.56	2.15
0.028	0.22	1	0	0.56	1.99
0.042	0.24	1	0	0.56	1.85
0.056	0.26	1	0	0.56	1.71
0.070	0.27	1	0	0.56	1.63
0.084	0.28	1	0	0.56	1.55
0.110	0.30	1	0	0.56	1.45
0.170	0.34	1	0	0.56	1.31
0.280	0.38	1	0	0.56	1.15
0.420	0.42	1	0	0.56	1.04
0.560	0.44	1	0	0.56	1.00

Lubrication-DODGE Ball Bearings are lubricated at the factory and are ready to run. The bearings are initially lubricated with lithium complex based grease and should be relubricated with the same or some equivalent. For high speeds, high loads, extreme temperatures and other abnormal operating conditions, special greases may be required. Contact DODGE Application Engineering for recommendations on these types of applications.

Misalignment-DODGE Ball Bearings are designed to allow a maximum of $\pm 2^\circ$ static misalignment. These bearings are not suitable for dynamic misalignment. To ensure good alignment, mounting surfaces must be checked for flatness and must lie in the same plane. When tightening base bolts, each bolt should be alternately tightened in incremental torque values until full torque is achieved to prevent the angular shifting of the pillow block that occurs when one bolt is tightened to its full torque. Shimming may be required to minimize misalignment.

Shaft Tolerances		
Normal Shaft Size Inches	Commercial Shaft Tolerances Inches	Recommended Shaft Tolerances Setscrew Ball Bearings Inches
Up to 1-1/2"	+0.000 -0.002	+0.0000 -0.0005
Over 1-1/2" to 2-1/2"	+0.000 -0.003	+0.0000 -0.0010
Over 2-1/2" to 4"	+0.000 -0.004	+0.0000 -0.0010

Note: Bearing analysis program "BEST" is available on www.ptwizard.com

FEATURES/BENEFITS PAGE B4-3	HOW TO ORDER/NOMENCLATURE PAGE B4-5	SELECTION/DIMENSIONS PAGE B4-12	ACCESSORIES PAGE B4-98
--------------------------------	--	------------------------------------	---------------------------



SELECTION

Setscrew Ball Bearing Inch

Table 2: Easy Selection Table For Ball Bearing Mounted Units

Ring Size	Shaft Size		Dynamic Capacity C, Lbs.	Static Capacity Co, Lbs.	L10 LIFE HOURS	Allowable Equivalent Radial Load Rating (Lbs.) At Various RPM*									
	SC, VSC, SL, CC	SCM				50	150	250	500	750	1000	1500	1750	2000	
203	1/2 5/8		2158	1079	20000	550	380	320	255	225	205	175	170	160	
					30000	480	335	280	225	195	175	155	145	140	
					40000	440	305	255	205	175	160	140	135	130	
					60000	380	265	225	175	155	140	125	115	110	
					100000	320	225	190	150	130	120	105	100	95	
204	1/2 5/8 3/4 13/16		2899	1482	20000	740	515	435	345	300	275	240	225	215	
					30000	645	450	380	300	260	240	210	200	190	
					40000	590	410	345	275	240	215	190	180	170	
					60000	515	355	300	240	210	190	165	155	150	
					100000	435	300	255	200	175	160	140	130	125	
205	7/8 15/16 1		3146	1769	20000	805	560	470	375	325	295	260	245	235	
					30000	705	485	410	325	285	260	225	215	205	
					40000	640	445	375	295	260	235	205	195	185	
					60000	560	385	325	260	225	205	180	170	165	
					100000	470	325	275	220	190	175	150	145	135	
206	1-1/16 1-1/8 1-3/16 1-1/4	1	4368	2538	20000	1115	775	655	520	455	410	360	340	325	
					30000	975	675	570	455	395	360	315	300	285	
					40000	885	615	520	410	360	325	285	270	260	
					60000	775	535	455	360	315	285	250	235	225	
					100000	655	455	380	305	265	240	210	200	190	
207	1-1/4 1-5/16 1-3/8 1-7/16	1-3/16 1-1/4	5759	3461	20000	1475	1020	860	685	595	545	475	450	430	
					30000	1285	890	755	595	520	475	415	395	375	
					40000	1170	810	685	545	475	430	375	355	340	
					60000	1020	710	595	475	415	375	330	310	300	
					100000	860	595	505	400	350	315	275	265	250	
208	1-1/2 1-5/8	1-7/16 1-1/2**	7332	4475	20000	1875	1300	1095	870	760	690	605	575	550	
					30000	1640	1135	960	760	665	605	525	500	480	
					40000	1490	1030	870	690	605	550	480	455	435	
					60000	1300	900	760	605	525	480	420	400	380	
					100000	1095	760	640	510	445	405	355	335	320	
209	1-5/8 1-11/16 1-3/4	1-1/2	7891	4906	20000	2020	1400	1180	935	820	745	650	615	590	
					30000	1765	1225	1030	820	715	650	570	540	515	
					40000	1600	1110	935	745	650	590	515	490	470	
					60000	1400	970	820	650	570	515	450	430	410	
					100000	1180	820	690	550	480	435	380	360	345	
210	1-15/16 2	1-11/16 1-3/4	7891	5213	20000	2020	1400	1180	935	820	745	650	615	590	
					30000	1765	1225	1030	820	715	650	570	540	515	
					40000	1600	1110	935	745	650	590	515	490	470	
					60000	1400	970	820	650	570	515	450	430	410	
					100000	1180	820	690	550	480	435	380	360	345	
211	2 2-3/16 2-1/4	1-15/16 2	9755	6588	20000	2491	1727	1457	1156	1010	918	802	761	729	
					30000	2176	1509	1272	1010	882	802	700	665	636	
					40000	1977	1371	1156	918	802	728	636	604	578	
					60000	1727	1197	1010	802	700	636	556	528	505	
					100000	1457	1010	852	676	591	537	469	445	426	
212	2-1/4 2-7/16	2-3/16 2-1/4	11791	8100	20000	3015	2090	1765	1400	1225	1110	970	925	880	
					30000	2635	1825	1540	1225	1070	970	880	805	770	
					40000	2395	1660	1400	1110	970	880	770	730	700	
					60000	2090	1450	1225	970	850	770	675	640	610	
					100000	1765	1225	1030	820	715	650	570	540	515	
214	2 11/16	2-7/16 2-1/2	13995	9838	20000	3580	2480	2095	1660	1450	1320	1155	1095	1045	
					30000	3125	2170	1830	1450	1270	1155	1005	955	915	
					40000	2840	1970	1660	1320	1155	1045	915	870	830	
					60000	2480	1720	1450	1155	1005	915	800	760	725	
					100000	2095	1450	1225	970	850	770	675	640	615	
215	2-15/16	2-11/16	14872	11108	20000	3805	2640	2225	1765	1545	1400	1225	1165	1115	
					30000	3325	2305	1945	1545	1350	1225	1070	1015	975	
					40000	3020	2095	1765	1400	1225	1115	975	925	885	
					60000	2640	1830	1545	1225	1070	975	850	805	770	
					100000	2225	1545	1300	1035	905	820	715	680	650	
216	2-15/16 3		17407	13102	20000	4450	3085	2605	2065	1805	1640	1435	1360	1300	
					30000	3890	2695	2275	1805	1580	1435	1250	1190	1140	
					40000	3535	2450	2065	1640	1435	1300	1140	1080	1035	
					60000	3085	2140	1805	1435	1250	1140	995	945	905	
					100000	2605	1805	1525	1210	1055	960	840	795	760	
218	3-7/16 3-1/2		21451	16641	20000	5485	3805	3210	2550	2225	2025	1765	1680	1605	
					30000	4795	3325	2805	2225	1945	1765	1545	1465	1405	
					40000	4355	3020	2550	2025	1765	1605	1405	1335	1276	
					60000	3805	2640	2225	1765	1545	1405	1225	1165	1115	
					100000	3210	2225	1880	1490	1300	1185	1035	980	940	

* Slight interference fit required when operating on the right of the heavy line or in the shaded area ** Piloted flange only

Note: Bearing analysis program "BEST" is available on www.ptwizard.com

FEATURES/BENEFITS PAGE B4-3	HOW TO ORDER/NOMENCLATURE PAGE B4-5	SELECTION/DIMENSIONS PAGE B4-12	ACCESSORIES PAGE B4-98
--------------------------------	--	------------------------------------	---------------------------

SELECTION



Setscrew Ball Bearing Inch

Table 2 (continued): Easy Selection Table for Ball Bearing Mounted Units

Ring Size	Shaft Size		Dynamic Capacity C, Lbs.	Static Capacity Co, Lbs.	L ₁₀ life hours	Allowable Equivalent Radial Load Rating (Lbs.) At Various RPM*								
	SC, VSC, SL, CC	SCM				2500	3000	3500	4000	4500	5000	5500	6500	7500
203	1/2 5/8		2158	1079	20000	150	140	135	130	125	120	115	110	105
					30000	130	125	115	110	105	105	100	95	90
					40000	120	110	105	100	95	95	90	85	80
					60000	105	95	95	90	85	80	80	75	70
					100000	85	80	80	75	70	70	65	65	60
204	1/2 5/8 3/4 13/16		2899	1482	20000	200	190	180	170	165	160	155	145	140
					30000	175	165	155	150	145	140	135	130	120
					40000	160	150	145	135	130	125	125	115	110
					60000	140	130	125	120	115	110	105	100	95
					100000	115	110	105	100	90	95	90	85	80
205	7/8 15/16 1		3146	1769	20000	220	205	195	185	180	175	170	160	150
					30000	190	180	170	165	155	150	145	140	130
					40000	175	165	155	150	140	135	135	125	120
					60000	150	140	135	130	125	120	115	110	105
					100000	125	120	115	110	105	100	100	95	90
206	1-1/16 1-1/8 1-3/16 1-1/4	1	4368	2538	20000	305	285	270	260	250	240	235	200	
					30000	265	250	235	225	220	210	205	195	
					40000	240	225	215	205	200	190	185	175	
					60000	210	200	190	180	175	165	160	155	
					100000	175	165	160	150	145	140	135	130	
207	1-1/4 1-5/16 1-3/8 1-7/16	1-3/16 1-1/4	5759	3461	20000	400	375	355	340	330	315	305		
					30000	350	330	310	300	285	275	270		
					40000	315	300	285	270	260	250	245		
					60000	275	260	250	235	230	220	125		
					100000	235	220	210	200	190	185	180		
208	1-1/2 1-5/8	1-7/16 1-1/2**	7332	4475	20000	510	480	455	435	420	405			
					30000	445	420	400	380	365	355			
					40000	405	380	360	345	330	320			
					60000	355	330	315	300	290	280			
					100000	300	280	265	255	245	235			
209	1-5/8 1-11/16 1-3/4	1-1/2	7891	4906	20000	550	515	490	470	450	435			
					30000	480	450	430	410	395	380			
					40000	435	410	390	370	360	345			
					60000	380	360	340	325	310	300			
					100000	320	300	285	275	265	255			
210	1-15/16 2	1-11/16 1-3/4	7891	5213	20000	550	515	490	470	450				
					30000	480	450	430	410	395				
					40000	435	410	390	370	360				
					60000	380	360	340	325	310				
					100000	320	300	285	275	265				
211	2 2-3/16 2-1/4	1-15/16 2	9755	6588	20000	676	636	604	578					
					30000	591	556	528	505					
					40000	537	505	480	459					
					60000	469	441	419	401					
					100000	395	372	353	338					
212	2-1/4 2-7/16	2-3/16 2-1/4	11791	8100	20000	820	770	730						
					30000	715	675	640						
					40000	650	610	580						
					60000	570	535	510						
					100000	480	450	430						
214	2 11/16	2-7/16 2-1/2	13995	9838	20000	970	915							
					30000	850	800							
					40000	770	725							
					60000	675	635							
					100000	570	535							
215	2-15/16	2-11/16	14872	11108	20000	1035	975							
					30000	905	850							
					40000	820	770							
					60000	715	675							
					100000	605	570							
216		2-15/16 3	17407	13102	20000	1210								
					30000	1055								
					40000	960								
					60000	840								
					100000	705								
218		3-7/16 3-1/2	21451	16641	20000									
					30000									
					40000									
					60000									
					100000									

* Slight interference fit required when operating on the right of the heavy line or in the shaded area ** Piloted flange only

Note: Bearing analysis program "BEST" is available on www.ptwizard.com

FEATURES/BENEFITS PAGE B4-3	HOW TO ORDER/NOMENCLATURE PAGE B4-5	SELECTION/DIMENSIONS PAGE B4-12	ACCESSORIES PAGE B4-98
--------------------------------	--	------------------------------------	---------------------------



SELECTION

Table 2 (continued): Easy Selection Table for Ball Bearing Mounted Units

Ring Size	Shaft Size		Dynamic Capacity C, N.	Static Capacity Co, N.	L ₁₀ life hours	Allowable Equivalent Radial Load Rating (N.) At Various RPM*								
	SC, VSC, SL, CC	SCM				50	150	250	500	750	1000	1500	1750	2000
203	17mm		9600	4800	20000	2446	1690	1423	1134	1001	912	778	756	712
					30000	2135	1490	1245	1001	867	778	689	645	623
					40000	1957	1357	1134	912	778	712	623	600	578
					60000	1690	1179	1001	778	689	623	556	512	489
					100000	1423	1001	845	667	578	534	467	445	423
204	20mm		12895	6592	20000	3292	2291	1935	1535	1334	1223	1068	1001	956
					30000	2869	2002	1690	1334	1156	1068	934	890	845
					40000	2624	1824	1535	1223	1068	956	845	801	756
					60000	2291	1579	1334	1068	934	845	734	689	667
					100000	1935	1334	1134	890	778	712	623	578	556
205	25mm		13995	7869	20000	3581	2491	2091	1668	1446	1312	1156	1090	1045
					30000	3136	2157	1824	1446	1268	1156	1001	956	912
					40000	2847	1979	1668	1312	1156	1045	912	867	823
					60000	2491	1712	1446	1156	1001	912	801	756	734
					100000	2091	1446	1223	979	845	778	667	645	600
206	30mm	25mm	18993	11,290	20000	4960	3447	2913	2313	2024	1824	1601	1512	1446
					30000	4337	3002	2535	2024	1757	1601	1401	1334	1268
					40000	3936	2736	2313	1824	1601	1446	1268	1201	1156
					60000	3447	2380	2024	1601	1401	1268	1112	1045	1001
					100000	2913	2024	1690	1357	1179	1068	934	890	845
207	35mm	30mm	25628	15,395	20000	6561	4537	3825	3047	2647	2424	2113	2002	1913
					30000	5716	3959	3358	2674	2313	2113	1846	1757	1668
					40000	5204	3603	3047	2424	2113	1913	1668	1579	1512
					60000	4537	3158	2647	2113	1846	1669	1468	1379	1334
					100000	3825	2647	2246	1779	1557	1401	1223	1179	1112
208	40mm	35mm	32627	19,906	20000	8340	5782	4871	3870	3380	3069	2691	2558	2446
					30000	7295	5048	4270	3380	2958	2691	2335	2224	2135
					40000	6628	4581	3870	3069	2691	2446	2135	2024	1935
					60000	5782	4003	3380	2691	2335	2135	1868	1779	1690
					100000	4871	3380	2847	2268	1979	1801	1579	1490	1423
209	45mm	40mm	35115	21,823	20000	8985	6227	5249	4159	3647	3314	2891	2736	2624
					30000	7851	5449	4581	3649	3180	2891	2535	2402	2291
					40000	7117	4937	4159	3314	2891	2624	2291	2180	2091
					60000	6227	4315	3647	2891	2535	2291	2002	1913	1824
					100000	5249	3647	3069	2446	2135	1935	1690	1601	1535
210	50mm	45mm	35115	23,189	20000	8985	6227	5249	4159	3647	3314	2891	2736	2624
					30000	7851	5449	4581	3647	3180	2891	2535	2402	2291
					40000	7117	4937	4159	3314	2891	2624	2291	2180	2091
					60000	6227	4315	3647	2891	2535	2291	2002	1913	1824
					100000	5249	3647	3069	2446	2135	1935	1690	1601	1535
211	55mm	50mm	43394	29,305	20000	11079	7682	6479	5142	4492	4082	3566	3387	3241
					30000	9678	6711	5660	4492	3924	3566	3115	2959	2831
					40000	8793	6097	5142	4082	3566	3240	2830	2688	2572
					60000	7682	5326	4492	3566	3115	2830	2472	2348	2247
					100000	6479	4492	3789	3007	2627	2387	2085	1981	1895
212	60mm	55mm	52470	36,031	20000	13411	9296	7851	6227	5449	4937	4315	4114	3914
					30000	11720	8118	6850	5449	4759	4315	3914	3581	3425
					40000	10653	7384	6227	4937	4315	3914	3425	3247	3114
					60000	9296	6450	5449	4315	3781	3425	3002	2847	2713
					100000	7851	5449	4581	3647	3180	2891	2535	2402	2291
214	70mm	65mm	62278	43,762	20000	15924	11031	9319	7384	6450	5871	5137	4871	4648
					30000	13900	9672	8140	6450	5649	5137	4470	4248	4070
					40000	12632	8763	7384	5871	5137	4648	4070	3870	3692
					60000	11031	7651	6450	5137	4470	4070	3558	3380	3225
					100000	9319	6450	5449	4315	3781	3425	3002	2847	2736
215	75mm	70mm	66180	49,411	20000	16925	11743	9897	7851	6872	6227	5449	5182	4960
					30000	14790	10253	8651	6872	6005	5449	4759	4515	4337
					40000	13433	9319	7851	6227	5449	4960	4337	4114	3936
					60000	11743	8140	6872	5449	4759	4337	3781	3581	3425
					100000	9897	6872	5782	4604	4025	3647	3180	3025	2891
216	75mm		77426	58,281	20000	19794	13722	11587	9185	8029	7295	6383	6049	5782
					30000	17303	11987	10119	8029	7028	6383	5560	5293	5071
					40000	15724	10898	9185	7295	6383	5782	5071	4804	4604
					60000	13722	9519	8029	6393	5560	5071	4426	4203	4025
					100000	11587	8029	6783	5382	4693	4270	3736	3536	3380
218	85mm		95371	74,023	20000	24397	16925	14278	11342	9897	9007	7851	7473	7139
					30000	21328	14790	12477	9897	8651	7851	6872	6516	6249
					40000	19371	13433	11342	9007	7851	7139	6249	5938	5676
					60000	16925	11743	9897	7851	6872	6249	5449	5182	4960
					100000	14278	9897	8362	6628	5782	5271	4604	4359	4181

* Slight interference fit required when operating on the right of the heavy line or in the shaded area

Note: Bearing analysis program "BEST" is available on www.ptwizard.com

FEATURES/BENEFITS PAGE B4-3	HOW TO ORDER/NOMENCLATURE PAGE B4-5	SELECTION/DIMENSIONS PAGE B4-12	ACCESSORIES PAGE B4-98
--------------------------------	--	------------------------------------	---------------------------

SELECTION



Setscrew Ball Bearing Inch

Table 2 (continued): Easy Selection Table for Ball Bearing Mounted Units

Ring Size	Shaft Size		Dynamic Capacity C, N.	Static Capacity Co, N.	L ₁₀ Life Hours	Allowable equivalent radial load rating (n.) At various RPM*								
	SC, VSC, SL, C	SCM				2500	3000	3500	4000	4500	5000	5500	6500	7500
203	17mm		9600	4800	20000	667	623	600	578	556	534	512	489	467
					30000	578	556	512	489	467	445	423	400	
					40000	534	489	467	445	423	400	378	356	
					60000	467	423	423	400	378	356	334	311	
					100000	378	356	356	334	311	289	289	267	
204	20mm		12895	6592	20000	890	845	801	756	734	712	689	645	623
					30000	778	724	689	667	645	623	600	578	534
					40000	712	667	645	600	578	556	556	512	489
					60000	623	578	556	534	512	489	467	445	423
					100000	512	489	467	445	400	423	400	378	356
205	25mm		13995	7869	20000	979	912	867	823	801	778	756	712	667
					30000	845	801	756	734	689	667	645	623	578
					40000	778	734	689	667	623	600	600	556	534
					60000	667	623	600	578	556	534	512	489	467
					100000	556	534	512	489	467	445	445	423	400
206	30mm	25mm	18993	11,290	20000	1357	1268	1201	1156	1112	1068	1045	979	
					30000	1179	1112	1045	1001	979	934	912	867	
					40000	1068	1001	958	912	890	845	823	778	
					60000	934	890	845	801	778	734	712	689	
					100000	778	734	712	667	645	623	600	578	
207	35mm	30mm	25628	15,395	20000	1779	1668	1579	1512	1468	1401	1357		
					30000	1557	1468	1379	1134	1268	1223	1201		
					40000	1401	1334	1268	1201	1156	1112	1090		
					60000	1223	1156	1112	1045	1023	979	956		
					100000	1045	979	934	890	845	823	801		
208	40mm	35mm	32627	19,906	20000	2268	2135	2024	1935	1868	1801			
					30000	1979	1868	1779	1690	1624	1579			
					40000	1801	1690	1601	1535	1468	1423			
					60000	1576	1468	1401	1334	1290	1245			
					100000	1334	1245	1179	1134	1090	1045			
209	45mm	40mm	35115	21,823	20000	2446	2291	2180	2091	2002	1935			
					30000	2135	2002	1913	1824	1757	1690			
					40000	1935	1824	1735	1646	1601	1535			
					60000	1690	1601	1512	1446	1379	1334			
					100000	1423	1334	1268	1223	1179	1134			
210	50mm	45mm	35115	23,189	20000	2446	2291	2180	2091	2002				
					30000	2135	2002	1913	1824	1757				
					40000	1935	1824	1735	1646	1601				
					60000	1690	1601	1512	1446	1379				
					100000	1423	1334	1268	1223	1179				
211	55mm	50mm	43394	29,305	20000	3007	2830	2688	2571					
					30000	2627	2472	2348	2246					
					40000	2387	2246	2134	2041					
					60000	2085	1962	1864	1783					
					100000	1759	1655	1572	1504					
212	60mm	55mm	52470	36,031	20000	3647	3425	3247						
					30000	3180	3002	2847						
					40000	2891	2713	2580						
					60000	2535	2380	2268						
					100000	2135	2002	1913						
214	70mm	65mm	62278	43,762	20000	4315	4070							
					30000	3781	3558							
					40000	3425	3225							
					60000	3002	2824							
					100000	2535	2380							
215	75mm	70mm	66180	49,411	20000	4604	4337							
					30000	4025	3781							
					40000	3647	3425							
					60000	3180	3002							
					100000	2691	2535							
216		75mm	77426	58,281	20000	5382								
					30000	4693								
					40000	4270								
					60000	3736								
					100000	3136								
218		85mm	95371	74,023	20000									
					30000									
					40000									
					60000									

* Slight interference fit required when operating on the right of the heavy line or in the shaded area

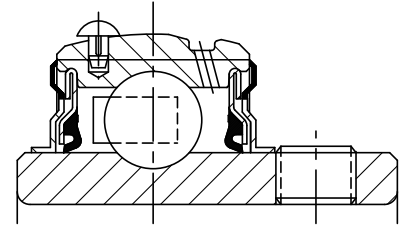
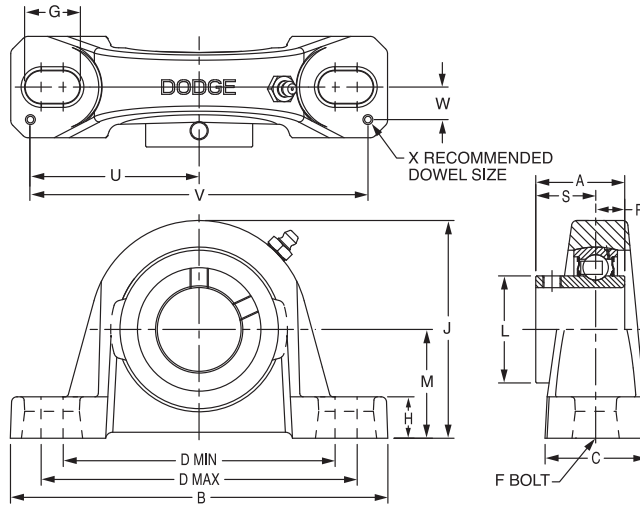
Note: Bearing analysis program "BEST" is available on www.ptwizard.com

FEATURES/BENEFITS PAGE B4-3	HOW TO ORDER/NOMENCLATURE PAGE B4-5	SELECTION/DIMENSIONS PAGE B4-12	ACCESSORIES PAGE B4-98
--------------------------------	--	------------------------------------	---------------------------

SELECTION/DIMENSIONS



Setscrew Ball Bearings SC AND SCU NORMAL DUTY PILLOW BLOCKS



Lube Fitting
203 series - 1/4-28 tapered thread
204 series and larger - 1/8-27 NPT

Series	Shaft Size	Standard		No-Lube/Seal for Life (-NL)	
		Part No.	Description	Part No.	Description
203	1/2	123830	P2B-SC-008	123932	P2B-SC-008-NL
	5/8	123831	P2B-SC-010	126500	P2B-SC-010-NL
	17mm	053170	P2B-SC-17M	@	P2B-SC-17M-NL
203 (SCU)	1/2	123753	P2B-SCU-008	@	P2B-SCU-008-NL
	5/8	123754	P2B-SCU-010	@	P2B-SCU-010-NL
	17mm	125850	P2B-SCU-17M	@	P2B-SCU-17M-NL
204	1/2	123835	P2B-SC-008L	052101	P2B-SC-008L-NL
	5/8	123836	P2B-SC-010L	@	P2B-SC-010L-NL
	3/4	123803	P2B-SC-012	052012	P2B-SC-012-NL
	20mm	125851	P2B-SC-20M	068372	P2B-SC-20M-NL
205	7/8	123804	P2B-SC-014	126502	P2B-SC-014-NL
	15/16	123805	P2B-SC-015	126503	P2B-SC-015-NL
	1	123806	P2B-SC-100	123824	P2B-SC-100-NL
	25mm	125852	P2B-SC-25M	056744	P2B-SC-25M-NL
206	1-1/16	123807	P2B-SC-101	126504	P2B-SC-101-NL
	1-1/8	123808	P2B-SC-102	126505	P2B-SC-102-NL
	1-3/16	123809	P2B-SC-103	123828	P2B-SC-103-NL
	1-1/4	123170	P2B-SC-104S	049852	P2B-SC-104S-NL
	30mm	125853	P2B-SC-30M	074162	P2B-SC-30M-NL
206 (SCU)	1-1/16	123877	P2B-SCU-101	@	P2B-SCU-101-NL
	1-1/8	123878	P2B-SCU-102	@	P2B-SCU-102-NL
	1-3/16	123879	P2B-SCU-103	050837	P2B-SCU-103-NL
	1-1/4	123894	P2B-SCU-104S	073282	P2B-SCU-104S-NL
	30mm	125854	P2B-SCU-30M	@	P2B-SCU-30M-NL
207	1-1/4	123810	P2B-SC-104	123933	P2B-SC-104-NL
	1-5/16	123811	P2B-SC-105	@	P2B-SC-105-NL
	1-3/8	123812	P2B-SC-106	123781	P2B-SC-106-NL
	1-7/16	123813	P2B-SC-107	123792	P2B-SC-107-NL
	35mm	125855	P2B-SC-35M	@	P2B-SC-35M-NL

@ Assembled to order.

FEATURES/BENEFITS PAGE B4-3	HOW TO ORDER/NOMENCLATURE PAGE B4-5	SELECTION PAGE B4-6	ACCESSORIES PAGE B4-98
--------------------------------	--	------------------------	---------------------------

SELECTION/DIMENSIONS



Setscrew Ball Bearings SC AND SCU NORMAL DUTY PILLOW BLOCKS

Bearing Reference Guide

ULTRA KLEEN

E-Z KLEEN

Extreme Duty

Setscrew Ball Bearing

GRIP TIGHT

D-LOK Ball Bearing

Series	Shaft Size	Wgt. lbs. kgs	A	B	C	D		F Bolt Dia.	G	H	J	L	M	R	S	U	V	W	X	
						Min	Max													
203	1/2	1.1	1.00	5.00	1.20	3.25	4.06	3/8	0.84	0.47	2.14	0.96	1.06	0.36	0.64	2.25	4.50	0.38	0.12	
	5/8	1.0																		
	17mm	0.4	25.4	127.0	30.5	82.6	103.1	M10	21.3	11.9	54.4	24.4	27.0	9.1	16.3	57.2	114.3	9.7	3.0	
203 SCU	1/2	1.2	1.00	5.00	1.20	3.25	4.06	3/8	0.84	0.59	2.27	0.96	1.19	0.36	0.64	2.25	4.50	0.38	0.12	
	5/8	1.0																		
	17mm	0.4	25.4	127.0	30.5	82.6	103.1	M10	21.3	15.0	57.7	24.4	30.2	9.1	16.3	57.2	114.3	9.7	3.0	
204	1/2	1.6	1.23	5.25	1.34	3.38	4.19	3/8	0.85	0.53	2.56	1.12	1.31	0.50	0.73	2.25	4.50	0.50	0.12	
	5/8	1.5																		
	3/4	1.4																		
205	20mm	0.7	31.2	133.4	34.0	85.9	106.4	M10	21.6	13.5	65.0	28.4	33.3	12.7	18.5	57.2	114.3	12.7	3.0	
	7/8	1.8	1.34	5.50	1.40	3.69	4.50	3/8	0.85	0.58	2.77	1.32	1.44	0.56	0.78	2.50	5.00	0.50	0.12	
	15/16	1.7																		
206	1	1.6																		
	25mm	0.7	34.0	139.7	35.6	93.7	114.3	M10	21.6	14.7	70.4	33.5	36.5	14.2	19.8	63.5	127.0	12.7	3.0	
	1-1/16	2.8	1.52	6.25	1.75	4.25	5.00	1/2	0.94	0.68	3.25	1.57	1.63	0.58	0.94	2.88	5.76	0.56	0.12	
206 SCU	1-1/8	2.7																		
	1-3/16	2.6																		
	1-1/4	2.5																		
207	30mm	1.1	38.6	158.8	44.5	108.0	127.0	M12	23.9	17.3	82.6	39.9	41.3	14.7	23.9	73.2	146.3	14.2	3.0	
	1-1/16	2.9	1.52	6.25	1.75	4.25	5.00	1/2	0.94	0.75	3.31	1.57	1.69	0.58	0.94	2.88	5.76	0.56	0.12	
	1-1/8	2.8																		
207	1-3/16	2.7																		
	1-1/4	2.6																		
	30mm	1.1	38.6	158.8	44.5	108.0	127.0	M12	23.9	19.1	84.1	39.9	42.9	14.7	23.9	73.2	146.3	14.2	3.0	
	1-1/4	4.5	1.71	6.50	1.75	4.68	5.44	1/2	0.94	0.71	3.75	1.84	1.88	0.67	1.04	2.91	5.82	0.56	0.12	
207	1-5/16	4.4																		
	1-3/8	4.3																		
	1-7/16	4.2																		
	35mm	1.5	43.4	165.1	44.5	118.9	138.2	M12	23.9	18.0	95.3	46.7	47.6	17.0	26.4	73.9	147.8	14.2	3.0	

FEATURES/BENEFITS PAGE B4-3	HOW TO ORDER/NOMENCLATURE PAGE B4-5	SELECTION PAGE B4-6	ACCESSORIES PAGE B4-98
--------------------------------	--	------------------------	---------------------------

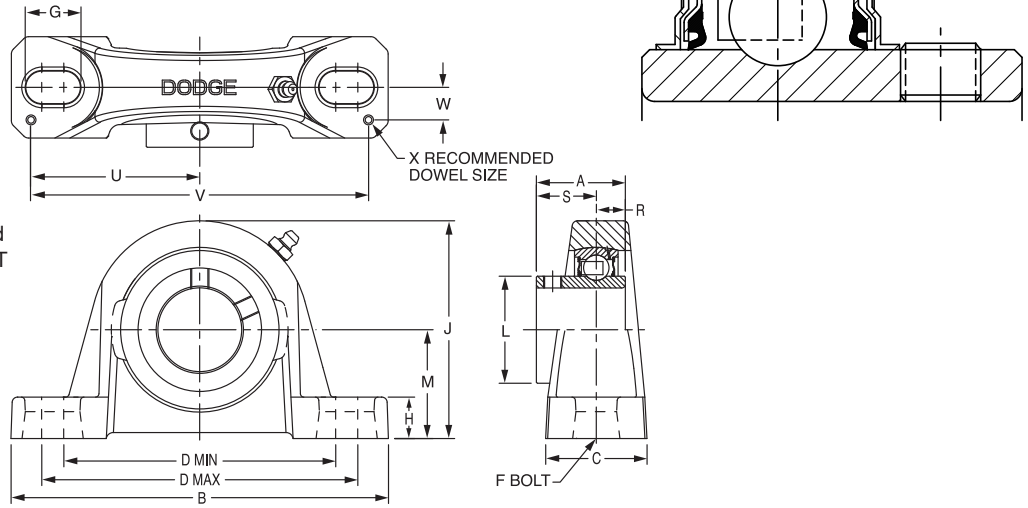
SELECTION/DIMENSIONS



Setscrew Ball Bearings SC AND SCU NORMAL DUTY PILLOW BLOCKS

Lube Fitting

203 series - 1/4-28 tapered thread
204 series and larger - 1/8-27 NPT



Series	Shaft Size	Standard		No-Lube/Sealed for Life (-NL)	
		Part No.	Description	Part No.	Description
208	1-1/2	123814	P2B-SC-108	123829	P2B-SC-108-NL
	1-5/8	123815	P2B-SC-110	126510	P2B-SC-110-NL
	40mm	056855	P2B-SC-40M	067679	P2B-SC-40M-NL
209	1-5/8	125169	P2B-SC-110L	073381	P2B-SC-110L-NL
	1-11/16	123816	P2B-SC-111	123784	P2B-SC-111-NL
	1-3/4	123817	P2B-SC-112	123782	P2B-SC-112-NL
	45mm	125857	P2B-SC-45M	067925	P2B-SC-45M-NL
210	1-15/16	123818	P2B-SC-115	123793	P2B-SC-115-NL
	2	123819	P2B-SC-200	123939	P2B-SC-200-NL
	50mm	125858	P2B-SC-50M	058702	P2B-SC-50M-NL
211	2	126815	P2B-SCM-200	126547	P2B-SCM-200-NL
	2-3/16	123820	P2B-SC-203	123783	P2B-SC-203-NL
	2-1/4	123821	P2B-SC-204	126513	P2B-SC-204-NL
	55mm	125859	P2B-SC-55M	@	P2B-SC-55M-NL
212	2-1/4	126817	P2B-SCM-204	@	P2B-SCM-204-NL
	2-7/16	123822	P2B-SC-207	123987	P2B-SC-207-NL
	60mm	125860	P2B-SC-60M	062162	P2B-SC-60M-NL
214	2-1/2	126819	P2B-SCM-208	062178	P2B-SCM-208-NL
	2-11/16	123839	P2B-SC-211	068603	P2B-SC-211-NL
	70mm	125861	P2B-SC-70M	126548	P2B-SC-70M-NL
215	2-15/16	123823	P2B-SC-215	123636	P2B-SC-215-NL
	75mm	125862	P2B-SC-75M	@	P2B-SC-75M-NL
215 (SCU)	2-15/16	123728	P2B-SCU-215	@	P2B-SCU-215-NL
	75mm	052792	P2B-SCU-75M	@	P2B-SCU-75M-NL
218	90mm	052794	P2B-SC-90M	@	P2B-SC-90M-NL

@Assembled to order

FEATURES/BENEFITS PAGE B4-3	HOW TO ORDER/NOMENCLATURE PAGE B4-5	SELECTION PAGE B4-6	ACCESSORIES PAGE B4-98
--------------------------------	--	------------------------	---------------------------

SELECTION/DIMENSIONS



Setscrew Ball Bearings SC AND SCU NORMAL DUTY PILLOW BLOCKS

Bearing Reference Guide

ULTRA KLEEN

E-Z KLEEN

Extreme Duty

Setcrew Ball Bearing

GRIP TIGHT

D-LOK Ball Bearing

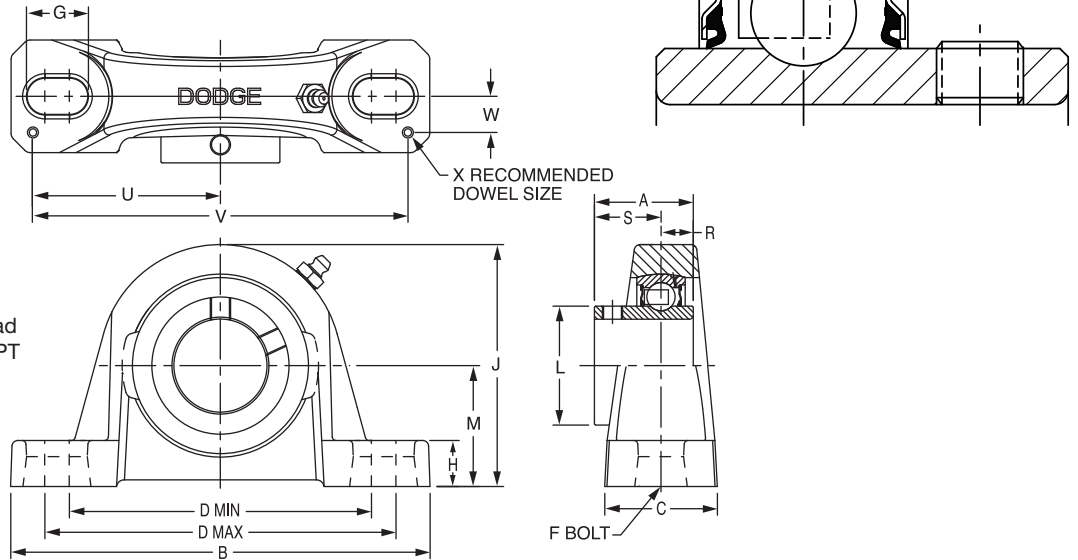
Series	Shaft Size	Wgt. lbs. kgs	A	B	C	D		F Bolt Dia.	G	H	J	L	M	R	S	U	V	W	X	
						Min	Max													
208	1-1/2	5.4	1.94	7.25	1.93	5.18	5.88	1/2	0.91	0.93	4.19	2.05	2.13	0.75	1.19	3.26	6.52	0.69	0.12	
	1-5/8	5.3																		
	40mm	2.2	49.3	184.2	49.0	131.6	149.4	M12	23.1	23.6	106.4	52.1	54.0	19.1	30.2	82.8	165.6	17.5	3.0	
209	1-5/8	6.6	1.94	7.44	2.00	5.50	6.19	1/2	0.90	0.75	4.28	2.22	2.13	0.75	1.19	3.38	6.76	0.69	0.12	
	1-11/16	6.4																		
	1-3/4	6.2																		
	45mm	2.2	49.3	189.0	50.8	139.7	157.2	M12	22.9	19.1	108.7	56.4	54.0	19.1	30.2	85.9	171.7	17.5	3.0	
210	1-15/16	7.2	1.94	8.12	2.25	6.00	6.68	5/8	1.02	0.75	4.53	2.43	2.25	0.75	1.19	3.69	7.38	0.81	0.12	
	2	7.0																		
	50mm	2.6	49.3	206.2	57.2	152.4	169.7	M16	25.9	19.1	115.1	61.7	57.2	19.1	30.2	93.7	187.5	20.6	3.0	
211	2	9.0	2.22	8.88	2.30	6.38	7.44	5/8	1.21	0.88	4.96	2.71	2.50	0.87	1.35	3.94	7.88	0.81	0.12	
	2-3/16	8.9																		
	2-1/4	8.8																		
	55mm	3.3	56.4	225.6	58.4	162.1	189.0	M16	30.7	22.4	126.0	68.8	63.5	22.1	34.3	100.1	200.2	20.6	3.0	
212	2-1/4	10.8	2.31	9.50	2.37	6.88	7.94	5/8	1.21	0.88	5.40	2.97	2.75	0.90	1.41	4.25	8.50	0.88	0.12	
	2-7/16	10.2																		
	60mm	4.2	58.7	241.3	60.2	174.8	201.7	M16	30.7	22.4	137.2	75.4	69.9	22.9	35.8	108.0	215.9	22.4	3.0	
214	2-1/2	15.5	2.54	10.75	2.69	7.50	8.50	3/4	1.32	0.94	6.09	3.31	3.00	1.06	1.48	4.88	9.76	0.94	0.12	
	2-11/16	15.0																		
	70mm	6.9	64.5	273.1	68.3	190.5	215.9	M18	33.5	23.9	154.7	84.1	76.2	26.9	37.6	124.0	247.9	23.9	3.0	
215	2-15/16	20.5	2.33	11.75	2.88	8.50	9.50	7/8	1.44	1.00	6.75	3.62	3.50	0.86	1.47	5.48	10.96	1.04	0.12	
	75mm	7.9	59.2	298.5	73.2	215.9	241.3	M22	36.6	25.4	171.5	91.9	88.9	21.8	37.3	139.2	278.4	26.4	3.0	
215 SCU	2-15/16	20.7	2.33	11.75	2.88	8.50	9.50	7/8	1.44	1.00	6.50	3.62	3.25	0.86	1.47	5.48	10.96	1.04	0.12	
	75mm	8.0	59.2	298.5	73.2	215.9	241.3	M22	36.6	25.4	165.1	91.9	82.6	21.8	37.3	139.2	278.4	26.4	3.0	
218	90mm	13.6	65.0	355.6	85.9	262.1	295.1	M22	40.4	33.3	203.2	110.5	101.6	24.4	40.6	167.6	335.3	30.2	3.0	

FEATURES/BENEFITS PAGE B4-3	HOW TO ORDER/NOMENCLATURE PAGE B4-5	SELECTION PAGE B4-6	ACCESSORIES PAGE B4-98
--------------------------------	--	------------------------	---------------------------

SELECTION/DIMENSIONS



Setscrew Ball Bearings SCAH AND SCUAH AIR HANDLING NORMAL DUTY PILLOW BLOCKS



Lube Fitting
203 series - 1/4-28 tapered thread
204 series and larger - 1/8-27 NPT

Series	Shaft Size	Part No.	Description
203	1/2	123725	P2B-SCAH-008
	5/8	123958	P2B-SCAH-010
	17mm	075329	P2B-SCAH-17M
203 (SCU)	1/2	@	P2B-SCUAH-008
	5/8	067742	P2B-SCUAH-010
	17mm	@	P2B-SCUAH-17M
204	1/2	@	P2B-SCAH-008L
	5/8	123790	P2B-SCAH-010L
	3/4	123904	P2B-SCAH-012
	20mm	056606	P2B-SCAH-20M
205	7/8	064450	P2B-SCAH-014
	15/16	123903	P2B-SCAH-015
	1	123905	P2B-SCAH-100
	25mm	053718	P2B-SCAH-25M
206	1-1/16	@	P2B-SCAH-101
	1-1/8	123919	P2B-SCAH-102
	1-3/16	123906	P2B-SCAH-103
	1-1/4	073724	P2B-SCAH-104S
	30mm	067652	P2B-SCAH-30M
206 (SCU)	1-1/16	@	P2B-SCUAH-101
	1-1/8	049690	P2B-SCUAH-102
	1-3/16	123916	P2B-SCUAH-103
	1-1/4	123183	P2B-SCUAH-104S
	30mm	059785	P2B-SCUAH-30M
207	1-1/4	123907	P2B-SCAH-104
	1-5/16	@	P2B-SCAH-105
	1-3/8	050792	P2B-SCAH-106
	1-7/16	123908	P2B-SCAH-107
	35mm	053717	P2B-SCAH-35M

@ Assembled to order

FEATURES/BENEFITS PAGE B4-3	HOW TO ORDER/NOMENCLATURE PAGE B4-5	SELECTION PAGE B4-6	ACCESSORIES PAGE B4-98
--------------------------------	--	------------------------	---------------------------

SELECTION/DIMENSIONS



Setscrew Ball Bearings SCAH AND SCUAH AIR HANDLING NORMAL DUTY PILLOW BLOCKS

Bearing Reference Guide

ULTRA KLEEN

E-Z KLEEN

Extreme Duty

Setscrew Ball Bearing

GRIP TIGHT

D-LOK Ball Bearing

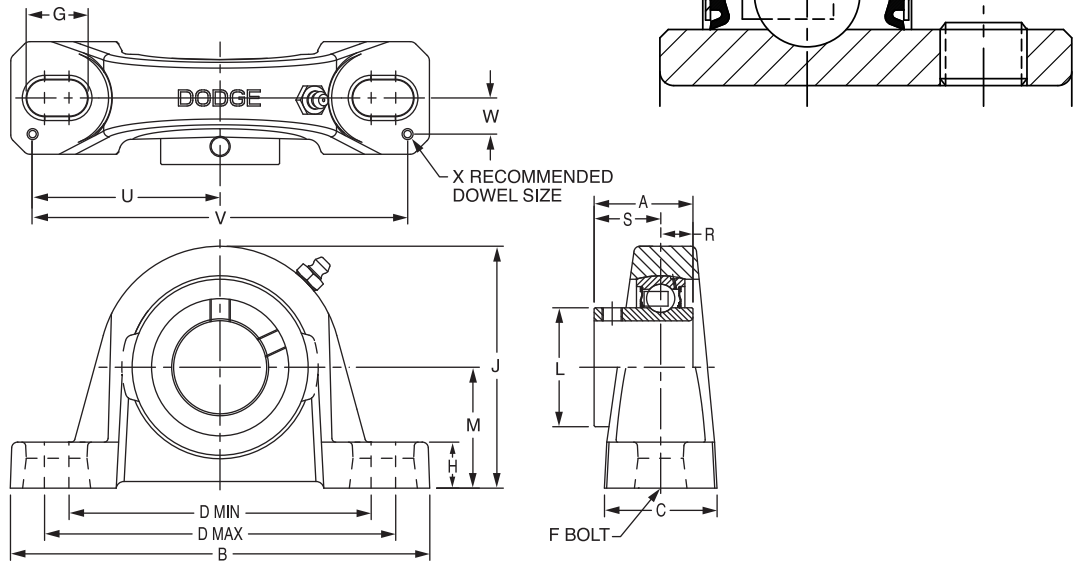
Series	Shaft Size	Wgt. lbs kgs.	A	B	C	D		F Bolt Dia.	G	H	J	L	M	R	S	U	V	W	X	
						Min	Max													
203	1/2	1.1	1.00	5.00	1.20	3.25	4.06	3/8	0.84	0.47	2.14	0.96	1.06	0.36	0.64	2.25	4.50	0.38	0.12	
	5/8	1.0																		
	17mm	0.4	25.4	127.0	30.5	82.6	103.1	M10	21.3	11.9	54.4	24.4	27.0	9.1	16.3	57.2	114.3	9.7	3.0	
203 SCU	1/2	1.2	1.00	5.00	1.20	3.25	4.06	3/8	0.84	0.59	2.27	0.96	1.19	0.36	0.64	2.25	4.50	0.38	0.12	
	5/8	1.0																		
	17mm	0.4	25.4	127.0	30.5	82.6	103.1	M10	21.3	15.0	57.7	24.4	30.2	9.1	16.3	57.2	114.3	9.7	3.0	
204	1/2	1.6	1.23	5.25	1.34	3.38	4.19	3/8	0.85	0.53	2.56	1.12	1.31	0.50	0.73	2.25	4.50	0.50	0.12	
	5/8	1.5																		
	3/4	1.4																		
205	20mm	0.7	31.2	133.4	34.0	85.9	106.4	M10	21.6	13.5	65.0	28.4	33.3	12.7	18.5	57.2	114.3	12.7	3.0	
	7/8	1.8	1.34	5.50	1.40	3.69	4.50	3/8	0.85	0.58	2.77	1.32	1.44	0.56	0.78	2.50	5.00	0.50	0.12	
	15/16	1.7																		
206	1	1.6																		
	25mm	0.7	34.0	139.7	35.6	93.7	114.3	M10	21.6	14.7	70.4	33.5	36.5	14.2	19.8	63.5	127.0	12.7	3.0	
	1-1/16	2.8	1.52	6.25	1.75	4.25	5.00	1/2	0.94	0.68	3.25	1.57	1.63	0.58	0.94	2.88	5.76	0.56	0.12	
206 SCU	1-1/8	2.7																		
	1-3/16	2.6																		
	1-1/4	2.5																		
207	30mm	101	38.6	158.8	44.5	108.0	127.0	M12	23.9	17.3	82.6	39.9	41.3	14.7	23.9	73.2	146.3	14.2	3.0	
	1-1/16	2.9	1.52	6.25	1.75	4.25	5.00	1/2	0.94	0.75	3.31	1.57	1.69	0.58	0.94	2.88	5.76	0.56	0.12	
	1-1/8	2.8																		
207	1-3/16	2.7																		
	1-1/4	2.6																		
	30mm	1.1	38.6	158.8	44.5	108.0	127.0	M12	23.9	19.1	84.1	39.9	42.9	14.7	23.9	73.2	146.3	14.2	3.0	
207	1-1/4	4.5	1.71	6.50	1.75	4.68	5.44	1/2	0.94	0.71	3.75	1.84	1.88	0.67	1.04	2.91	5.82	0.56	0.12	
	1-5/16	4.4																		
	1-3/8	4.3																		
207	1-7/16	4.2																		
	35mm	1.5	43.4	165.1	44.5	118.9	138.2	M12	23.9	18.0	95.3	46.7	47.6	17.0	26.4	73.9	147.8	14.2	3.0	

FEATURES/BENEFITS PAGE B4-3	HOW TO ORDER/NOMENCLATURE PAGE B4-5	SELECTION PAGE B4-6	ACCESSORIES PAGE B4-98
--------------------------------	--	------------------------	---------------------------

SELECTION/DIMENSIONS



Setscrew Ball Bearings SCAH AND SCUAH AIR HANDLING NORMAL DUTY PILLOW BLOCKS



Lube Fitting

203 series - 1/4-28 tapered thread
204 series and larger - 1/8-27 NPT

Series	Shaft Size	Part No.	Description
208	1-1/2	123909	P2B-SCAH-108
	1-5/8	056750	P2B-SCAH-110
	40mm	073992	P2B-SCAH-40M
209	1-5/8	064689	P2B-SCAH-110L
	1-11/16	123910	P2B-SCAH-111
	1-3/4	123911	P2B-SCAH-112
	45mm	052413	P2B-SCAH-45M
210	1-15/16	123912	P2B-SCAH-115
	2	@	P2B-SCAH-200
	50mm	052414	P2B-SCAH-50M
211	2	126847	P2B-SCMAH-200
	2-3/16	123913	P2B-SCAH-203
	2-1/4	@	P2B-SCAH-204
	55mm	@	P2B-SCAH-55M
212	2-1/4	@	P2B-SCMAH-204
	2-7/16	123914	P2B-SCAH-207
	60mm	054009	P2B-SCAH-60M
214	2-1/2	@	P2B-SCMAH-208
	2-11/16	124872	P2B-SCAH-211
	70mm	@	P2B-SCAH-70M
215	2-15/16	123915	P2B-SCAH-215
	75mm	@	P2B-SCAH-75M
215 (SCU)	2-15/16	@	P2B-SCUAH-215
	75mm	@	P2B-SCUAH-75M

@ Assembled to order

FEATURES/BENEFITS PAGE B4-3	HOW TO ORDER/NOMENCLATURE PAGE B4-5	SELECTION PAGE B4-6	ACCESSORIES PAGE B4-98
--------------------------------	--	------------------------	---------------------------

SELECTION/DIMENSIONS



Setscrew Ball Bearings SCAH AND SCUAH AIR HANDLING NORMAL DUTY PILLOW BLOCKS

Bearing Reference Guide

ULTRA KLEEN

E-Z KLEEN

Extreme Duty

Setscrew Ball Bearing

GRIP TIGHT

D-LOK Ball Bearing

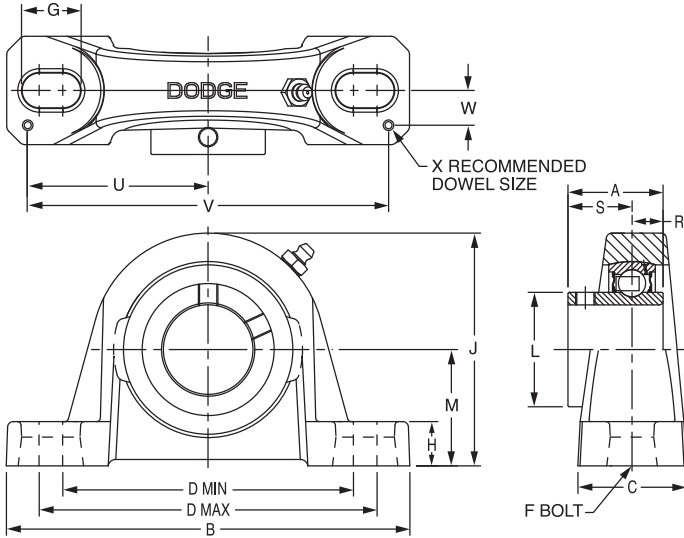
Series	Shaft Size	Wgt. lbs kgs.	A	B	C	D		F Bolt Dia.	G	H	J	L	M	R	S	U	V	W	X
						Min	Max												
208	1-1/2	5.4	1.94	7.25	1.93	5.18	5.88	1/2	0.91	0.93	4.19	2.05	2.13	0.75	1.19	3.26	6.52	0.69	0.12
	1-5/8	5.3																	
	40mm	2.2	49.3	184.2	49.0	131.6	149.4	M12	23.1	23.6	106.4	52.1	54.0	19.1	30.2	82.8	165.6	17.5	3.0
209	1-5/8	6.6	1.94	7.44	2.00	5.50	6.19	1/2	0.90	0.75	4.28	2.22	2.13	0.75	1.19	3.38	6.76	0.69	0.12
	1-11/16	6.4																	
	45mm	2.2	49.3	189.0	50.8	139.7	157.2	M12	22.9	19.1	108.7	56.4	54.0	19.1	30.2	85.9	171.7	17.5	3.0
210	1-15/16	7.2	1.94	8.12	2.25	6.00	6.68	5/8	1.02	0.75	4.53	2.43	2.25	0.75	1.19	3.69	7.38	0.81	0.12
	2	7.0																	
	50mm	2.6	49.3	206.2	57.2	152.4	169.7	M16	25.9	19.1	115.1	61.7	57.2	19.1	30.2	93.7	187.5	20.6	3.0
211	2	9.0	2.22	8.88	2.30	6.38	7.44	5/8	1.21	0.88	4.96	2.71	2.50	0.87	1.35	3.94	7.88	0.81	0.12
	2-3/16	8.9																	
	55mm	3.3	56.4	225.6	58.4	162.1	189.0	M16	30.7	22.4	126.0	68.8	63.5	22.1	34.3	100.1	200.2	20.6	3.0
212	2-1/4	10.8	2.31	9.50	2.37	6.88	7.94	5/8	1.21	0.88	5.40	2.97	2.75	0.90	1.41	4.25	8.50	0.88	0.12
	2-7/16	10.2																	
	60mm	4.2	58.7	241.3	60.2	174.8	201.7	M16	30.7	22.4	137.2	75.4	69.9	22.9	35.8	108.0	215.9	22.4	3.0
214	2-1/2	15.5	2.54	10.75	2.69	7.50	8.50	3/4	1.32	0.94	6.09	3.31	3.00	1.06	1.48	4.88	9.76	0.94	0.12
	2-11/16	1.50																	
	70mm	6.9	64.5	273.1	68.3	190.5	215.9	M18	33.5	23.9	154.7	84.1	76.2	26.9	37.6	124.0	247.9	23.9	3.0
215	2-15/16	20.5	2.33	11.75	2.88	8.50	9.50	7/8	1.44	1.00	6.75	3.62	3.50	0.86	1.47	5.48	10.96	1.04	0.12
	75mm	7.9	59.2	298.5	73.2	215.9	241.3	M22	36.6	25.4	171.5	91.9	88.9	21.8	37.3	139.2	278.4	26.4	3.0
215 SCU	2-15/16	20.7	2.33	11.75	2.88	8.50	9.50	7/8	1.44	1.00	6.50	3.62	3.25	0.86	1.47	5.48	10.96	1.04	0.12
	75mm	8.0	59.2	298.5	73.2	215.9	241.3	M22	36.6	25.4	165.1	91.9	82.6	21.8	37.3	139.2	278.4	26.4	3.0

FEATURES/BENEFITS PAGE B4-3	HOW TO ORDER/NOMENCLATURE PAGE B4-5	SELECTION PAGE B4-6	ACCESSORIES PAGE B4-98
--------------------------------	--	------------------------	---------------------------

SELECTION/DIMENSIONS

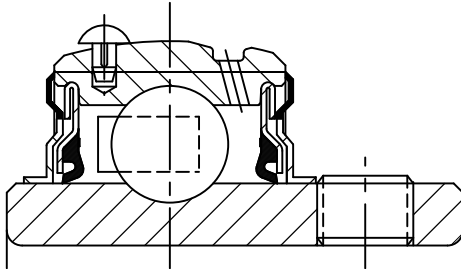


Setscrew Ball Bearings SCB NORMAL DUTY PILLOW BLOCKS



Lube Fitting

203 series - 1/4-28 tapered thread
204 series and larger - 1/8-27 NPT



Series	Shaft Size	Part No.	Description
203 (SC)	1/2	123830	P2B-SC-008
	5/8	123831	P2B-SC-010
	17mm	053170	P2B-SC-17M
204	1/2	123854	P2B-SCB-008L
	5/8	123855	P2B-SCB-010L
	3/4	123860	P2B-SCB-012
	20mm	124941	P2B-SCB-20M
205	7/8	123861	P2B-SCB-014
	15/16	123862	P2B-SCB-015
	1	123863	P2B-SCB-100
	25mm	125768	P2B-SCB-25M
206	1-1/16	123856	P2B-SCB-101
	1-1/8	123864	P2B-SCB-102
	1-3/16	123865	P2B-SCB-103
	1-1/4	123171	P2B-SCB-104S
	30mm	125760	P2B-SCB-30M
207	1-1/4	123866	P2B-SCB-104
	1-5/16	123857	P2B-SCB-105
	1-3/8	123867	P2B-SCB-106
	1-7/16	123868	P2B-SCB-107
	35mm	124944	P2B-SCB-35M
208	1-1/2	123869	P2B-SCB-108
	1-5/8	123858	P2B-SCB-110
	40mm	125856	P2B-SCB-40M
209	1-5/8	068760	P2B-SCB-110L
	1-11/16	123870	P2B-SCB-111
	1-3/4	123871	P2B-SCB-112
	45mm	051878	P2B-SCB-45M
210	1-15/16	123872	P2B-SCB-115
	2	123873	P2B-SCB-200
	50mm	051879	P2B-SCB-50M
211	2	057603	P2B-SCB-200L
	2-3/16	123874	P2B-SCB-203
	2-1/4	123589	P2B-SCB-204
	55mm	124943	P2B-SCB-55M
212	2-1/4	068361	P2B-SCB-204L
	2-7/16	123875	P2B-SCB-207
	60mm	051880	P2B-SCB-60M
215	2-15/16	123727	P2B-SCB-215
	75mm	@	P2B-SCB-75M

@ Assembled to order.

FEATURES/BENEFITS PAGE B4-3	HOW TO ORDER/NOMENCLATURE PAGE B4-5	SELECTION PAGE B4-6	ACCESSORIES PAGE B4-98
--------------------------------	--	------------------------	---------------------------

SELECTION/DIMENSIONS



Setscrew Ball Bearings SCB NORMAL DUTY PILLOW BLOCKS

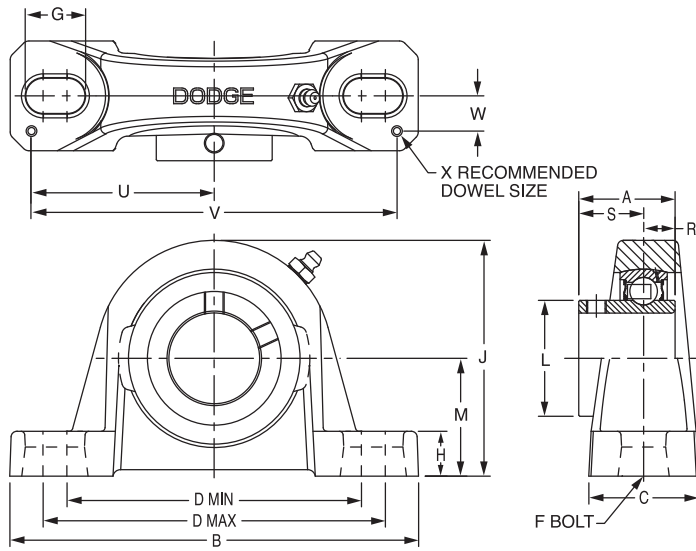
Series	Shaft Size	Weight lbs. kgs.	A	B	C	D		F Bolt Dia	G	H	J	L	M	R	S	U	V	W	X
						Min	Max												
203 SC	1/2	1.1	1.00	5.00	1.20	3.25	4.06	3/8	0.84	0.47	2.14	0.96	1.06	0.36	0.64	2.25	4.50	0.38	0.12
	5/8	1.0																	
	17mm	0.4	25.4	127.0	30.5	82.6	103.1	M10	21.3	11.9	54.4	24.4	26.9	9.1	16.3	57.2	114.3	9.7	3.0
204	1/2	1.6	1.23	5.25	1.34	3.38	4.19	3/8	0.85	0.47	2.49	1.12	1.25	0.50	0.73	2.25	4.50	0.50	0.12
	5/8	1.5																	
	3/4	1.4																	
	20mm	0.7	31.2	133.4	34.0	85.9	106.4	M10	21.6	11.9	63.2	28.4	31.8	12.7	18.5	57.2	114.3	12.7	3.0
205	7/8	1.8	1.34	5.50	1.40	3.69	4.50	3/8	0.85	0.45	2.64	1.32	1.31	0.56	0.78	2.50	5.00	0.50	0.12
	15/16	1.7																	
	1	1.6																	
	25mm	.07	34.0	139.7	35.6	93.7	114.3	M10	21.6	11.4	67.1	33.5	33.3	14.2	19.8	63.5	127.0	12.7	3.0
206	1-1/16	2.8	1.52	6.25	1.75	4.25	5.00	1/2	0.94	0.62	3.19	1.57	1.56	0.58	0.94	2.88	5.76	0.56	0.12
	1-1/8	2.7																	
	1-3/16	2.6																	
	1-1/4	2.5																	
	30mm	1.1	38.6	158.8	44.5	108.0	127.0	M12	23.9	15.8	81.0	39.9	39.6	14.7	23.9	73.2	146.3	14.2	3.0
207	1-1/4	4.5	1.71	6.50	1.75	4.68	5.44	1/2	0.94	0.65	3.69	1.84	1.81	0.67	1.04	2.91	5.82	0.56	0.12
	1-5/16	4.4																	
	1-3/8	45.3																	
	1-7/16	4.2																	
	35mm	1.5	43.4	165.1	44.5	118.9	138.2	M12	23.9	16.5	93.7	46.7	46.0	17.0	26.4	73.9	147.8	14.2	3.0
208	1-1/2	5.4	1.94	7.25	1.93	5.18	5.88	1/2	0.91	0.75	4.00	2.05	1.94	0.75	1.19	3.26	6.52	0.69	0.12
	1-5/8	5.3																	
	40mm	2.2	49.3	184.2	49.0	131.6	149.4	M12	23.1	19.1	101.6	52.1	49.3	19.1	30.2	82.8	165.6	17.5	3.0
209	1-5/8	6.6	1.94	7.44	2.00	5.50	6.19	1/2	0.90	0.69	4.21	2.22	2.06	0.75	1.19	3.38	6.76	0.69	0.12
	1-11/16	6.4																	
	1-3/4	6.2																	
	45mm	2.2	49.3	189.0	50.8	139.7	157.2	M12	22.9	17.5	106.9	56.4	52.3	19.1	30.2	85.9	171.7	17.5	3.0
210	1-15/16	78.2	1.94	8.12	2.25	6.00	6.68	5/8	1.02	0.68	4.47	2.43	2.19	0.75	1.19	3.69	7.38	0.81	0.12
	2	7.0																	
	50mm	2.6	49.3	206.2	57.2	152.4	169.7	M16	25.9	17.3	113.5	61.7	55.6	19.1	30.2	93.7	187.5	20.6	3.0
211	2	9.0	2.22	8.88	2.30	6.38	7.44	5/8	1.21	0.81	4.90	2.71	2.44	0.87	1.35	3.94	7.88	0.81	0.12
	2-3/16	8.9																	
	2-1/4	8.8																	
	55mm	3.3	56.4	225.6	58.4	162.1	189.0	M16	30.7	20.6	124.5	68.8	62.0	22.1	34.3	100.1	200.2	20.6	3.0
212	2-1/4	10.8	2.31	9.50	2.37	6.88	7.94	5/8	1.21	0.81	5.34	2.97	2.69	0.90	1.41	4.25	8.50	0.88	0.12
	2-7/16	10.2																	
	60mm	4.2	58.7	241.3	60.2	174.8	201.7	M16	30.7	20.6	135.6	75.4	68.3	22.9	35.8	108.0	215.9	22.4	3.0
215	2-15/16	20.5	2.33	11.75	2.88	8.50	9.50	7/8	1.44	1.06	6.56	3.62	3.31	0.86	1.47	5.48	10.96	1.04	0.12
	75mm	7.9	59.2	298.5	73.2	215.9	241.3	M22	36.6	26.9	166.6	91.9	84.1	21.8	37.3	139.2	278.4	26.4	3.0

FEATURES/BENEFITS PAGE B4-3	HOW TO ORDER/NOMENCLATURE PAGE B4-5	SELECTION PAGE B4-6	ACCESSORIES PAGE B4-98
--------------------------------	--	------------------------	---------------------------

SELECTION/DIMENSIONS

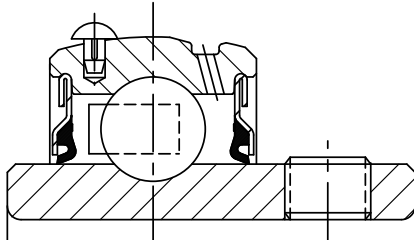


Setscrew Ball Bearings SCBAH AIR HANDLING NORMAL DUTY PILLOW BLOCKS



Lube Fitting

203 series - 1/4-28 tapered thread
204 series and larger - 1/8-27 NPT



Series	Shaft Size	Part No.	Description
203	1/2	123725	P2B-SCAH-008
	5/8	123958	P2B-SCAH-010
	17mm	@	P2B-SCAH-17M
204	1/2	@	P2B-SCBAH-008L
	5/8	068307	P2B-SCBAH-010L
	3/4	123959	P2B-SCBAH-012
	20mm	@	P2B-SCBAH-20M
205	7/8	@	P2B-SCBAH-014
	15/16	@	P2B-SCBAH-015
	1	123960	P2B-SCBAH-100
	25mm	@	P2B-SCBAH-25M
206	1-1/16	@	P2B-SCBAH-101
	1-1/8	@	P2B-SCBAH-102
	1-3/16	123961	P2B-SCBAH-103
	1-1/4	123962	P2B-SCBAH-104S
	30mm	@	P2B-SCBAH-30M
207	1-1/4	123963	P2B-SCBAH-104
	1-5/16	@	P2B-SCBAH-105
	1-3/8	@	P2B-SCBAH-106
	1-7/16	123918	P2B-SCBAH-107
	35mm	@	P2B-SCBAH-35M
208	1-1/2	123936	P2B-SCBAH-108
	1-5/8	@	P2B-SCBAH-110
	40mm	054727	P2B-SCBAH-40M
209	1-5/8	065774	P2B-SCBAH-110L
	1-11/16	123964	P2B-SCBAH-111
	1-3/4	@	P2B-SCBAH-112
	45mm	@	P2B-SCBAH-45M
210	1-15/16	123938	P2B-SCBAH-115
	2	123693	P2B-SCBAH-200
	50mm	@	P2B-SCBAH-50M
211	2	@	P2B-SCBAH-200L
	2/3/16	123965	P2B-SCBAH-203
	2-1/4	@	P2B-SCBAH-204
	55mm	@	P2B-SCBAH-55M
212	2-1/4	@	P2B-SCBAH-204L
	2-7/16	123966	P2B-SCBAH-207
	60mm	@	P2B-SCBAH-60M
215	2-15/16	@	P2B-SCBAH-215
	75mm	@	P2B-SCBAH-75M

@ Assembled to order

FEATURES/BENEFITS PAGE B4-3	HOW TO ORDER/NOMENCLATURE PAGE B4-5	SELECTION PAGE B4-6	ACCESSORIES PAGE B4-98
--------------------------------	--	------------------------	---------------------------

SELECTION/DIMENSIONS



Setscrew Ball Bearings SCBAH AIR HANDLING NORMAL DUTY PILLOW BLOCKS

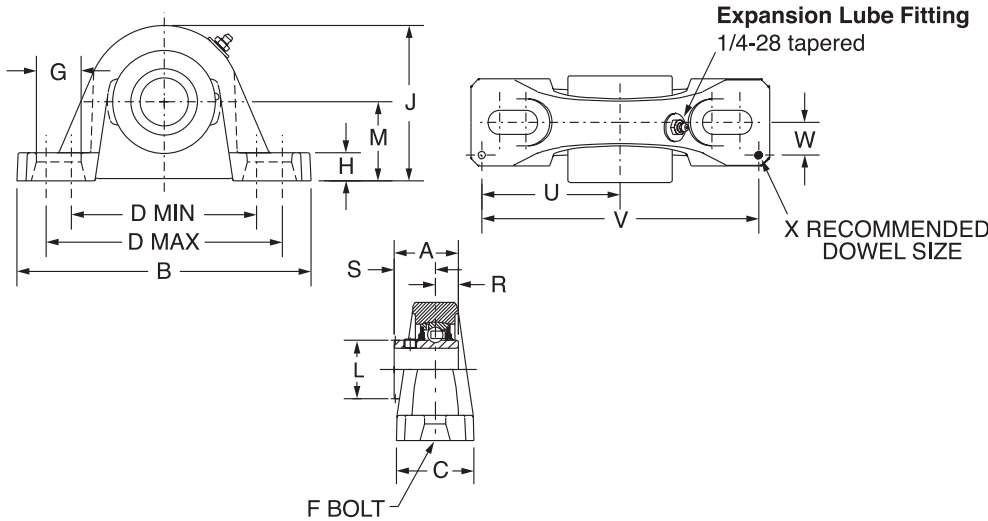
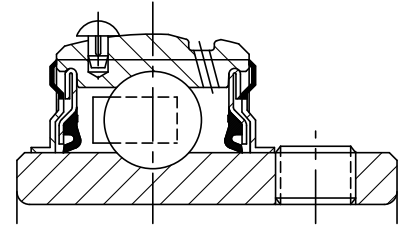
Series	Shaft Size	Weight lbs kgs	A	B	C	D		F Bolt Dia.	G	H	J	L	M	R	S	U	V	W	X	
						Min.	Max.													
203	1/2	1.1	1.00	5.00	1.20	3.25	4.06	3/8	0.84	0.47	2.14	0.96	1.06	0.36	0.64	2.25	4.50	0.38	0.12	
	5/8	1.0																		
	17mm	0.4	25.4	127.0	30.5	82.6	103.1	M10	21.3	11.9	54.4	24.4	26.9	9.1	16.3	57.2	114.3	9.7	3.0	
204	1/2	1.6	1.23	5.25	1.34	3.38	4.19	3/8	0.85	0.47	2.49	1.12	1.25	0.50	0.73	2.25	4.50	0.50	0.12	
	5/8	1.5																		
	3/4	1.4																		
	20mm	0.7	31.2	133.4	34.04	85.9	106.4	M10	21.6	11.9	63.3	28.5	31.8	12.7	18.5	57.2	114.3	12.7	3.1	
205	7/8	1.8	1.34	5.50	1.40	3.69	4.50	3/8	0.85	0.45	2.64	1.32	1.31	0.56	0.78	2.50	5.00	0.50	0.12	
	15/16	1.7																		
	1	1.6																		
	25mm	0.7	34.0	139.7	35.6	93.7	114.3	M10	21.6	11.4	67.1	33.5	33.3	14.2	19.8	63.5	127	12.7	3.1	
206	1-1/16	2.8	1.52	6.25	1.75	4.25	5.00	1/2	0.94	0.623	3.19	1.57	1.56	0.58	0.94	2.88	5.76	0.56	0.12	
	1-1/8	2.7																		
	1-3/16	2.6																		
	1-1/4	2.5																		
	30mm	1.1	38.6	158.8	44.5	108.0	127.0	M12	23.9	15.8	81.0	39.9	39.6	14.7	23.9	73.2	146.3	14.2	3.1	
207	1-1/4	4.5	1.71	6.50	1.75	4.68	5.44	1/2	0.94	0.65	3.69	1.84	1.81	0.67	1.04	2.91	5.82	0.56	0.12	
	1-5/16	4.4																		
	1-3/8	4.3																		
	1-7/16	4.2																		
	35mm	1.5	43.4	165.1	44.5	118.9	138.2	M12	23.9	16.5	93.7	46.7	46.0	17.0	26.4	73.9	147.8	14.2	3.1	
208	1-1/2	5.4	1.94	7.25	1.93	5.18	5.88	1/2	0.91	0.75	4.00	2.05	1.94	0.75	1.19	3.26	6.52	0.69	0.12	
	1-5/8	5.3																		
	40mm	2.2	49.3	184.2	49.0	131.6	149.4	M12	23.1	19.1	101.6	52.1	49.3	19.1	30.2	82.8	165.6	17.5	3.1	
209	1-5/8	6.5	1.94	7.44	2.00	5.50	6.19	1/2	0.90	0.69	4.21	2.22	2.06	0.75	1.19	3.38	6.76	0.69	0.12	
	1-11/16	6.4																		
	1-3/4	6.2																		
	45mm	2.2	49.3	189.0	50.8	139.7	157.2	M12	22.9	17.5	106.9	56.4	52.3	19.1	30.2	85.9	171.7	17.5	3.1	
210	1-15/16	7.2	1.94	8.12	2.25	6.00	6.68	5/8	1.02	0.68	4.47	2.43	2.19	0.75	1.19	3.69	7.38	0.81	0.12	
	2	7.0																		
	50mm	2.6	49.3	206.3	57.2	152.4	169.7	M16	25.9	17.2	113.5	61.7	55.6	19.1	30.2	93.7	187.5	20.6	3.1	
211	2	9.0	2.22	8.88	2.30	6.38	7.44	5/8	1.21	0.81	4.90	2.71	2.44	0.87	1.35	3.94	7.88	0.81	0.12	
	2/3/16	8.9																		
	2-1/4	8.8																		
	55mm	3.3	56.4	225.6	58.4	162.1	189.0	M16	30.7	20.6	124.5	68.8	62.0	22.1	34.3	100.1	200.2	20.6	3.1	
212	2-1/4	10.8	2.31	9.50	2.37	6.88	7.94	5/8	1.21	0.81	5.34	2.97	2.69	0.90	1.41	4.25	8.50	0.88	0.12	
	2-7/16	10.2																		
	60mm	4.2	58.7	241.3	60.2	174.8	201.7	M16	30.7	20.6	135.6	75.4	68.3	22.9	35.8	108.0	215.9	22.4	3.1	
215	2-15/16	20.5	2.33	11.75	2.88	8.50	9.50	7/8	1.44	1.06	6.56	3.62	3.31	0.86	1.47	5.48	10.96	1.04	0.12	
	75mm	7.9	59.18	298.5	73.2	215.9	241.3	M22	36.6	26.9	166.6	92.0	84.1	21.8	37.3	139.2	278.4	26.4	3.1	

FEATURES/BENEFITS PAGE B4-3	HOW TO ORDER/NOMENCLATURE PAGE B4-5	SELECTION PAGE B4-6	ACCESSORIES PAGE B4-98
--------------------------------	--	------------------------	---------------------------



SELECTION/DIMENSIONS

Setscrew Ball Bearings SCH-E EXPANSION NORMAL DUTY PILLOW BLOCKS



Series	Shaft Size	Expansion		Non-Expansion	
		Part Number	Description	Part Number	Description
205	1	064637	P2B-SCH-100-E	126147	P2B-SCM-100
	25mm	073418	P2B-SCH-25M-E	125925	P2B-SCM-25M
206	1-1/16	@	P2B-SCH-101-E	-----	-----
	1-1/8	@	P2B-SCH-102-E	-----	-----
	1 3/16	126405	P2B-SCH-103-E	126147	P2B-SCM-103
	1-1/4	053183	P2B-SCH-104S-E	123810	P2B-SC-104
	30mm	053021	P2B-SCH-30M-E	125926	P2B-SCM-30M
207	1-1/4	@	P2B-SCH-104-E	-----	-----
	1-5/16	@	P2B-SCH-105-E	-----	-----
	1-3/8	@	P2B-SCH-106-E	-----	-----
	1-7/16	126406	P2B-SCH-107-E	126810	P2B-SCM-107
	35mm	073358	P2B-SCH-35M-E	125927	P2B-SCM-35M
209	1-5/8	@	P2B-SCH-110L-E	-----	-----
	1-11/16	057414	P2B-SCH-111-E	126812	P2B-SCM-111
	1-3/4	074926	P2B-SCH-112-E	126813	P2B-SCM-112
210	45mm	056481	P2B-SCH-45M-E	125929	P2B-SCM-45M
	1-15/16	126407	P2B-SCH-115-E	126814	P2B-SCM-115
	2	052224	P2B-SCH-200-E	126815	P2B-SCM-200
211	50mm	056483	P2B-SCH-50M-E	125930	P2B-SCM-50M
	2-3/16	126408	P2B-SCH-203-E	126816	P2B-SCM-203
	2-1/4	068800	P2B-SCH-204-E	126817	P2B-SCM-204
212	55mm	053025	P2B-SCH-55M-E	125931	P2B-SCM-55M
	2-7/16	126409	P2B-SCH-207-E	126818	P2B-SCM-207
	60mm	@	P2B-SCH-60M-E	-----	-----

@Assembled to order

FEATURES/BENEFITS PAGE B4-3	HOW TO ORDER/NOMENCLATURE PAGE B4-5	SELECTION PAGE B4-6	ACCESSORIES PAGE B4-98
--------------------------------	--	------------------------	---------------------------

SELECTION/DIMENSIONS



Bearing Reference Guide

ULTRA KLEEN

E-Z KLEEN

Extreme Duty

Setscrew Ball Bearing

GRIP TIGHT

D-LOK Ball Bearing

Setscrew Ball Bearings SCH-E EXPANSION NORMAL DUTY PILLOW BLOCKS

Series	Shaft Size	Weight lbs. kgs.	A	B	C	D		F	G	H	J
						Min.	Max.				
205	1	2.8	1.34	6.25	1.75	4.25	5.00	1/2	0.94	0.75	3.31
	25mm	1.2	34.0	158.8	44.5	108.0	127.0	M12	23.9	19.1	84.1
206	1-1/16	4.8	1.52	6.50	1.75	4.68	5.44	1/2	0.94	0.71	3.75
	1-1/8	4.7									
	1 3/16	4.6									
	1-1/4	4.5									
	30mm	1.9	38.6	165.1	44.5	118.9	138.2	M12	23.9	18.0	95.3
207	1-1/4	6.7	1.71	7.25	1.93	5.18	5.88	1/2	0.91	0.93	4.19
	1-5/16	6.6									
	1-3/8	6.5									
	1-7/16	6.4									
	35mm	2.7	43.4	184.2	49.0	131.6	149.4	M12	23.1	23.6	106.4
209	1-5/8	6.4	1.94	8.12	2.25	6.00	6.68	5/8	1.02	0.75	4.53
	1-11/16	6.3									
	1-3/4	6.2									
	45mm	2.6	49.3	206.2	57.2	152.4	169.7	M16	25.9	19.1	115.1
210	1-15/16	9.8	1.94	8.88	2.30	6.38	7.44	5/8	1.21	0.88	4.96
	2	9.7									
	50mm	4.0	49.3	225.6	58.4	162.1	189.0	M16	30.7	22.4	126.0
211	2-3/16	14.3	2.22	9.50	2.37	6.88	7.94	5/8	1.21	0.88	5.40
	2-1/4	14.2									
	55mm	5.9	56.4	241.3	60.2	174.8	201.7	M16	30.7	22.4	137.2
212	2-7/16	16.6	2.31	10.75	2.69	7.50	8.50	3/4	1.32	0.94	6.09
	60mm	6.8	58.7	273.1	68.3	190.5	215.9	M18	33.5	23.8	154.7

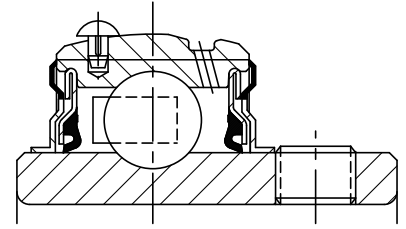
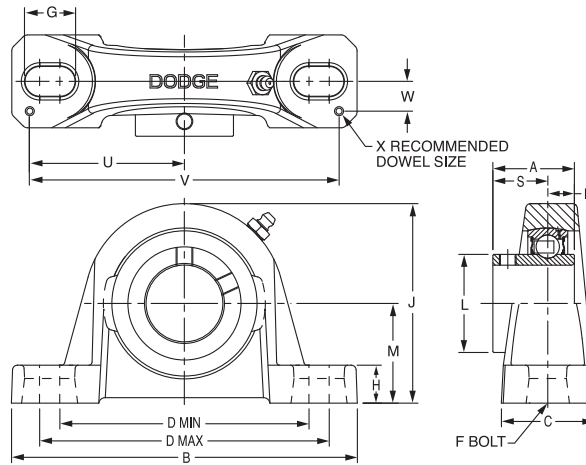
Series	Shaft Size	L	M	R	S	T Total Expansion	U	V	W	X
205	1	1.32	1.69	0.56	0.78	0.16	2.88	5.76	0.56	0.12
	25mm	33.5	42.9	14.2	19.8	4.1	73.2	146.3	14.2	3.0
206	1-1/16	1.57	1.88	0.58	0.94	0.16	2.91	5.82	0.56	0.12
	1-1/8									
	1 3/16									
	1-1/4									
	30mm	39.9	47.8	14.7	23.9	4.1	73.9	147.8	14.2	3.0
207	1-1/4	1.84	2.13	0.67	1.04	0.16	3.26	6.52	0.69	0.12
	1-5/16									
	1-3/8									
	1-7/16									
	35mm	46.7	54.1	17.0	26.4	4.1	82.8	165.6	17.5	3.0
209	1-5/8	2.05	2.25	0.75	1.19	0.25	3.69	7.38	0.81	0.12
	1-11/16									
	1-3/4									
45mm	52.1	57.2	19.1	30.2	6.4	93.7	187.5	20.6	3.0	
210	1-15/16	2.43	2.50	0.75	1.19	0.22	3.94	7.88	0.81	0.12
	2									
50mm	61.7	63.5	19.1	30.2	5.6	100.1	200.2	20.6	3.0	
211	2-3/16	2.71	2.75	.87	1.35	0.22	4.25	8.50	0.88	0.12
	2-1/4									
	55mm	68.8	69.9	22.1	34.3	5.6	108.0	215.9	22.4	3.0
212	2-7/16	2.97	3.00	0.90	1.41	0.22	4.88	9.76	0.94	0.12
	60mm	75.4	76.2	22.9	35.8	5.6	124.0	247.9	23.9	3.0

FEATURES/BENEFITS PAGE B4-3	HOW TO ORDER/NOMENCLATURE PAGE B4-5	SELECTION PAGE B4-6	ACCESSORIES PAGE B4-98
--------------------------------	--	------------------------	---------------------------

SELECTION/DIMENSIONS



Setscrew Ball Bearings SCM MEDIUM DUTY PILLOW BLOCKS



Lube Fitting
203 series - 1/4-28 tapered thread
204 series and larger - 1/8-27 NPT

Series	Shaft Size	Standard		No-Lube/Sealed for Life (-NL)	
		Part No.	Description	Part No.	Description
206	1	126147	P2B-SCM-100	058624	P2B-SCM-100-NL
	25mm	125925	P2B-SCM-25M	@	P2B-SCM-25M-NL
206 (SCMU)	1	064249	P2B-SCMU-100	@	P2B-SCMU-100-NL
	25mm	@	P2B-SCMU-25M	@	P2B-SCMU-25M-NL
207	1-3/16	126148	P2B-SCM-103	052275	P2B-SCM-103-NL
	1-1/4	123810	P2B-SC-104	123933	P2B-SC-104-NL
	30mm	125926	P2B-SCM-30M	077777	P2B-SCM-30M-NL
208	1-7/16	126810	P2B-SCM-107	126855	P2B-SCM-107-NL
	35mm	125927	P2B-SCM-35M	@	P2B-SCM-35M-NL
209	1-1/2	126811	P2B-SCM-108	058400	P2B-SCM-108-NL
	1-5/8	125169	P2B-SC-110L	@	P2B-SC-110L-NL
	40mm	125928	P2B-SCM-40M	@	P2B-SCM-40M-NL
210	1-11/16	126812	P2B-SCM-111	075105	P2B-SCM-111-NL
	1-3/4	126813	P2B-SCM-112	@	P2B-SCM-112-NL
	45mm	125929	P2B-SCM-45M	@	P2B-SCM-45M-NL
211	1-15/16	126814	P2B-SCM-115	126856	P2B-SCM-115-NL
	2	126815	P2B-SCM-200	126547	P2B-SCM-200-NL
	50mm	125930	P2B-SCM-50M	065548	P2B-SCM-50M-NL
212	2-3/16	126816	P2B-SCM-203	052005	P2B-SCM-203-NL
	2-1/4	126817	P2B-SCM-204	@	P2B-SCM-204-NL
	55mm	125931	P2B-SCM-55M	@	P2B-SCM-55M-NL
214	2-7/16	126818	P2B-SCM-207	126857	P2B-SCM-207-NL
	2-1/2	126819	P2B-SCM-208	062178	P2B-SCM-208-NL
	65mm	125932	P2B-SCM-65M	068025	P2B-SCM-65M-NL
215	2-11/16	126820	P2B-SCM-211	126533	P2B-SCM-211-NL
	70mm	125933	P2B-SCM-70M	@	P2B-SC-70M-NL
216	2-15/16	126821	P2B-SCM-215	126534	P2B-SCM-215-NL
	3	126822	P2B-SCM-300	126535	P2B-SCM-300-NL
	75mm	125934	P2B-SCM-75M	062186	P2B-SCM-75M-NL
218	3-7/16	126823	P2B-SCM-307	@	P2B-SCM-307-NL
	3-1/2	126824	P2B-SCM-308	@	P2B-SCM-308-NL
	85mm	125935	PWB-SCM-85M	@	PWB-SCM-85M-NL

@ Assembled to order

FEATURES/BENEFITS PAGE B4-3	HOW TO ORDER/NOMENCLATURE PAGE B4-5	SELECTION PAGE B4-6	ACCESSORIES PAGE B4-98
--------------------------------	--	------------------------	---------------------------

SELECTION/DIMENSIONS



Setscrew Ball Bearings SCM MEDIUM DUTY PILLOW BLOCKS

Bearing Reference Guide
 ULTRA KLEEN
 E-Z KLEEN
 Extreme Duty
 Setscrew Ball Bearing
 GRIP TIGHT
 D-LOK Ball Bearing

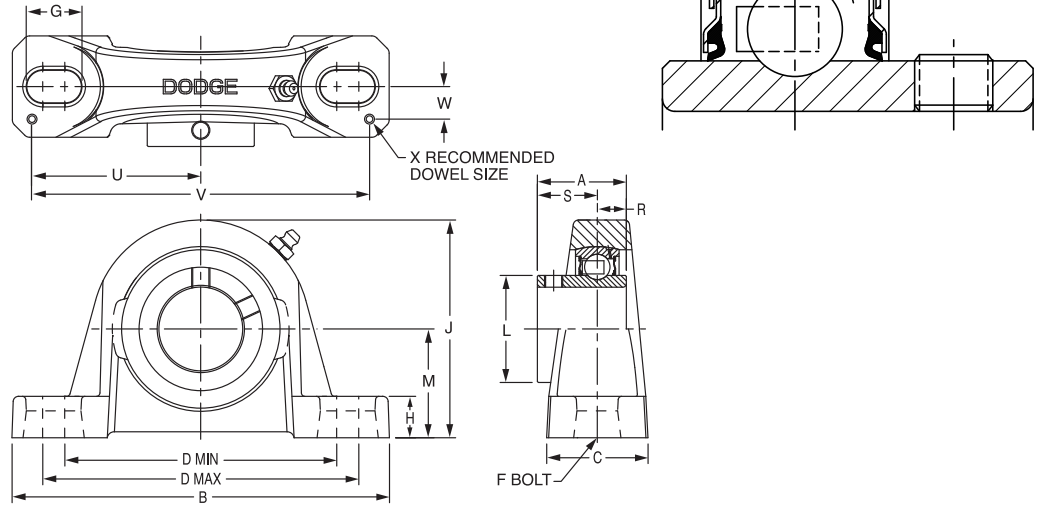
Series	Shaft Size	Weight Lbs. kg.	A	B	C	D		F	G	H	J	L	M	R	S	U	V	W	X	
						Min.	Max.													
206	1	3.0	1.52	6.25	1.75	4.25	5.00	1/2	0.94	0.68	3.25	1.57	1.69	0.58	0.94	2.88	5.76	0.56	0.12	
	25mm	1.3	38.6	158.8	44.5	108.0	127.0	M12	23.9	17.3	82.6	39.9	42.9	14.7	23.9	73.2	146.3	14.2	3.0	
206 SCMU	1	3.1	1.52	6.25	1.75	4.25	5.00	1/2	0.94	0.81	3.37	1.57	1.75	0.58	0.94	2.88	5.76	0.56	0.12	
	25mm	1.4	38.6	158.8	44.5	108.0	127.0	M12	23.9	20.6	85.6	39.9	44.5	14.7	23.9	73.2	146.3	14.2	3.0	
207	1-3/16	4.6	1.71	6.50	1.75	4.68	5.44	1/2	0.94	0.71	3.75	1.84	1.88	0.67	1.04	2.91	5.82	0.56	0.12	
	1-1/4	4.2																		
	30mm	2.0	43.4	165.1	44.5	118.9	138.2	M12	23.9	18.0	95.3	46.7	47.6	17.0	26.4	73.9	147.8	14.2	3.0	
208	1-7/16	5.4	1.94	7.25	1.93	5.18	5.88	1/2	0.91	0.93	4.19	2.05	2.13	0.75	1.19	3.26	6.52	0.69	0.12	
	35mm	2.3	49.3	184.2	49.0	131.6	149.4	M12	23.1	23.6	106.4	52.1	54.0	19.1	30.2	82.8	165.6	17.5	3.0	
209	1-1/2	6.4	1.94	7.44	2.00	5.50	6.19	1/2	0.90	0.75	4.28	2.22	2.13	0.75	1.19	3.38	6.76	0.69	0.12	
	1-5/8	6.3																		
	40mm	2.7	49.3	189.0	50.8	139.7	157.2	M12	22.9	19.1	108.7	56.4	54.0	19.1	30.2	85.9	171.7	17.5	3.0	
210	1-11/16	7.4	1.94	8.12	2.25	6.00	6.68	5/8	1.02	0.75	4.53	2.43	2.25	0.75	1.19	3.69	7.38	0.81	0.12	
	1-3/4	7.3																		
	45mm	3.2	49.3	206.2	57.2	152.4	169.7	M16	25.9	19.1	115.1	61.7	57.2	19.1	30.2	93.7	187.5	20.6	3.0	
211	1-15/16	9.2	2.22	8.88	2.30	6.38	7.44	5/8	1.21	0.88	4.96	2.71	2.50	0.87	1.35	3.94	7.88	0.81	0.12	
	2	9.0																		
212	50mm	3.9	56.4	225.6	58.4	162.1	189.0	M16	30.7	22.4	126.0	68.8	63.5	22.1	34.3	100.1	200.2	20.6	3.0	
	2-3/16	11.0	2.31	9.50	2.37	6.88	7.94	5/8	1.21	0.88	5.40	2.97	2.75	0.90	1.41	4.25	8.50	0.88	0.12	
214	2-1/4	10.8																		
	55mm	4.7	58.7	241.3	60.2	174.8	201.7	M16	30.7	22.4	137.2	75.4	69.9	22.9	35.8	108.0	215.9	22.4	3.0	
	2-7/16	15.7	2.54	10.75	2.69	7.50	8.50	3/4	1.32	0.94	6.09	3.31	3.00	1.06	1.48	4.88	9.76	0.94	0.12	
215	2-1/2	15.5																		
	65mm	6.7	64.5	273.1	68.3	190.5	215.9	M18	33.5	23.9	154.7	84.1	76.2	26.9	37.6	124.0	247.9	23.9	3.0	
	2-11/16	21.0	2.33	11.75	2.88	8.50	9.50	7/8	1.44	1.00	6.75	3.62	3.50	0.86	1.47	5.48	10.96	1.04	0.12	
216	70mm	9.0	59.2	298.5	73.2	215.9	241.3	M22	36.6	25.4	171.5	91.9	88.9	21.8	37.3	139.2	278.4	26.4	3.0	
	2-15/16	21.3	2.38	11.75	3.00	8.50	9.50	7/8	1.44	1.25	6.97	3.83	3.50	0.88	1.50	5.50	11.00	1.09	0.12	
	3	21.1																		
218	75mm	9.0	60.5	298.5	76.2	215.9	241.3	M22	36.6	31.8	177.0	97.3	88.9	22.4	38.1	139.7	279.4	27.7	3.0	
	3-7/16	31.8	2.56	14.00	3.38	10.32	11.62	7/8	1.59	1.31	8.00	4.35	4.00	0.96	1.60	6.60	13.20	1.19	0.12	
	3-1/2	31.3																		
218	85mm	13.6	65.0	355.6	85.9	262.1	295.1	M22	40.4	33.3	203.2	110.5	101.6	24.4	40.6	167.6	335.3	30.2	3.0	

FEATURES/BENEFITS PAGE B4-3	HOW TO ORDER/NOMENCLATURE PAGE B4-5	SELECTION PAGE B4-6	ACCESSORIES PAGE B4-98
--------------------------------	--	------------------------	---------------------------

SELECTION/DIMENSIONS



Setscrew Ball Bearings SCMAH AIR HANDLING MEDIUM DUTY PILLOW BLOCKS



Lube Fitting

203 series - 1/4-28 tapered thread
204 series and larger - 1/8-27 NPT

Series	Shaft Size	Part No.	Description
206	1	126110	P2B-SCMAH-100
	25mm	073416	P2B-SCMAH-25M
207	1-3/16	126112	P2B-SCMAH-103
	1-1/4	123907	P2B-SCAH-104
208	30mm	064756	P2B-SCMAH-30M
	1-7/16	126835	P2B-SCMAH-107
209	35mm	062304	P2B-SCMAH-35M
	1-1/2	126836	P2B-SCMAH-108
210	1-5/8	@	P2B-SCAH-110L
	40mm	064136	P2B-SCMAH-40M
211	1-11/16	126837	P2B-SCMAH-111
	1-3/4	126838	P2B-SCMAH-112
212	45mm	062321	P2B-SCMAH-45M
	1-15/16	126839	P2B-SCMAH-115
214	2	126847	P2B-SCMAH-200
	50mm	056811	P2B-SCMAH-50M
215	2-3/16	126840	P2B-SCMAH-203
	2-1/4	@	P2B-SCMAH-204
216	55mm	049816	P2B-SCMAH-55M
	2-7/16	126841	P2B-SCMAH-207
218	2-1/2	064537	P2B-SCMAH-208
	65mm	075262	P2B-SCMAH-65M
219	2-11/16	126842	P2B-SCMAH-211
	70mm	049818	P2B-SCMAH-70M
220	2-15/16	126843	P2B-SCMAH-215
	3	074381	P2B-SCMAH-300
221	75mm	053719	P2B-SCM-75M
	3-7/16	126844	P2B-SCMAH-307
222	3-1/2	@	P2B-SCMAH-308
	85mm	@	P2B-SCMAH-85M

@ Assembled to order.

FEATURES/BENEFITS PAGE B4-3	HOW TO ORDER/NOMENCLATURE PAGE B4-5	SELECTION PAGE B4-6	ACCESSORIES PAGE B4-98
--------------------------------	--	------------------------	---------------------------

SELECTION/DIMENSIONS



Setscrew Ball Bearings SCMAH AIR HANDLING MEDIUM DUTY PILLOW BLOCKS

Bearing Reference Guide

ULTRA KLEEN

E-Z KLEEN

Extreme Duty

Setscrew Ball Bearing

GRIP TIGHT

D-LOK Ball Bearing

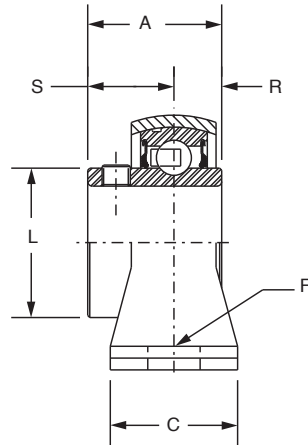
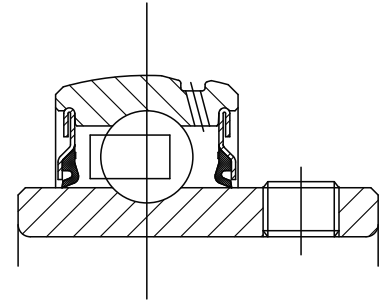
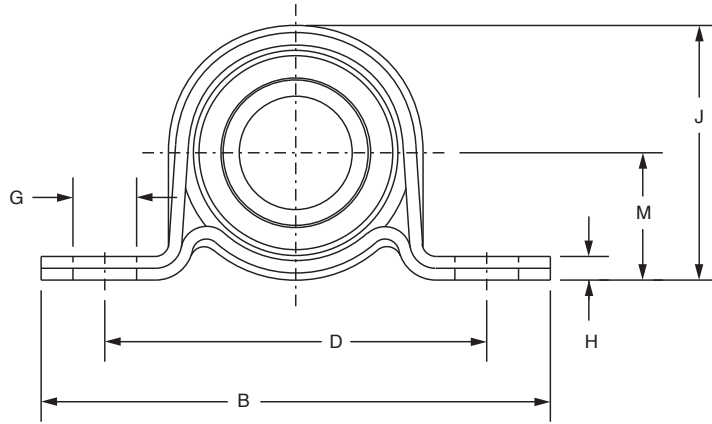
Series	Shaft Size	Weight lbs. kgs.	A	B	C	D		F	G	H	J	L	M	R	S	U	V	W	X
						Min.	Max.												
206	1	3.0	1.52	6.25	1.75	4.25	5.00	1/2	0.94	0.68	3.25	1.57	1.75	0.58	0.94	2.88	5.76	0.56	0.12
	25mm	1.3	38.6	158.8	44.5	108.0	127.0	M12	23.9	17.3	82.6	39.9	44.45	14.7	23.9	73.2	146.3	14.2	3.0
207	1-3/16	4.6	1.71	6.50	1.75	4.68	5.44	1/2	0.94	0.71	3.75	1.84	1.88	0.67	1.04	2.91	5.82	0.56	0.12
	1-1/4	4.2																	
208	1-7/16	5.4	1.94	7.25	1.93	5.18	5.88	1/2	0.91	0.93	4.19	2.05	2.13	0.75	1.19	3.26	6.52	0.69	0.12
	35mm	2.3	49.3	184.2	49.0	131.6	149.4	M12	23.1	23.6	106.4	52.1	54.0	19.1	30.2	82.8	165.6	17.5	3.0
209	1-1/2	6.4	1.94	7.44	2.00	5.50	6.19	1/2	0.90	0.75	4.28	2.22	2.13	0.75	1.19	3.38	6.76	0.69	0.12
	1-5/8	6.3																	
210	1-11/16	7.4	1.94	8.12	2.25	6.00	6.68	5/8	1.02	0.75	4.53	2.43	2.25	0.75	1.19	3.69	7.38	0.81	0.12
	1-3/4	7.3																	
211	45mm	3.2	49.3	206.2	57.2	152.4	169.7	M16	25.9	19.1	115.1	61.7	57.2	19.1	30.2	93.7	187.5	20.6	3.0
	1-15/16	9.2	2.22	8.88	2.30	6.38	7.44	5/8	1.21	0.88	4.96	2.71	2.50	0.87	1.35	3.94	7.88	0.81	0.12
212	2	9.0																	
	50mm	3.9	56.4	225.6	58.4	162.1	189.0	M16	30.7	22.4	126.0	68.8	63.5	22.1	34.3	100.1	200.2	20.6	3.0
214	2-3/16	11.0	2.31	9.50	2.37	6.88	7.94	5/8	1.21	0.88	5.40	2.97	2.75	0.90	1.41	4.25	8.50	0.88	0.12
	2-1/4	10.8																	
215	55mm	4.7	58.7	241.3	60.2	174.8	201.7	M16	30.7	22.4	137.2	75.4	69.9	22.9	35.8	108.0	215.9	22.4	3.0
	2-7/16	15.7	2.54	10.75	2.69	7.50	8.50	3/4	1.32	0.94	6.09	3.31	3.00	1.06	1.48	4.88	9.76	0.94	0.12
216	2-1/2	15.5																	
	65mm	6.7	64.5	273.1	68.3	190.5	215.9	M18	33.5	23.9	154.7	84.1	76.2	26.9	37.6	124.0	247.9	23.9	3.0
218	2-11/16	21.0	2.33	11.75	2.88	8.50	9.50	7/8	1.44	1.00	6.75	3.62	3.50	0.86	1.47	5.48	10.96	1.04	0.12
	70mm	9.0	59.2	298.5	73.2	215.9	241.3	M22	36.6	25.4	171.5	91.9	88.9	21.8	37.3	139.2	278.4	26.4	3.0
216	2-15/16	21.3	2.38	11.75	3.00	8.50	9.50	7/8	1.44	1.25	6.97	3.83	3.50	0.88	1.50	5.50	11.00	1.09	0.12
	3	21.1																	
218	75mm	9.1	60.5	298.5	76.2	215.9	241.3	M22	36.6	31.8	177.0	97.3	88.9	22.4	38.1	139.7	279.4	27.7	3.0
	3-7/16	31.8	2.56	14.0	3.38	10.32	11.62	7/8	1.59	1.31	8.00	4.35	4.00	0.96	1.60	6.60	13.20	1.19	0.12
218	3-1/2	31.3																	
	85mm	13.6	65.0	355.6	85.9	262.1	295.1	M22	40.4	33.3	203.2	110.5	101.6	24.4	40.6	167.6	335.3	30.2	3.0

FEATURES/BENEFITS PAGE B4-3	HOW TO ORDER/NOMENCLATURE PAGE B4-5	SELECTION PAGE B4-6	ACCESSORIES PAGE B4-98
--------------------------------	--	------------------------	---------------------------



SELECTION/DIMENSIONS

Setscrew Ball Bearings SL LIGHT DUTY PILLOW BLOCKS



Series	Shaft Size	Part No.	Description
203	1/2	059637	P2B-SL-008
	5/8	128197	P2B-SL-010
	17mm	@	P2BSL-17M
204	3/4	128106	P2B-SL-012
	20mm	@	P2B-SL-20M
205	7/8	128170	P2B-SL-014
	15/16	128171	P2B-SL-015
	1	128107	P2B-SL-100
	25mm	068068	P2B-SL-25M
206	1-1/8	128172	P2B-SL-102
	1-3/16	128108	P2B-SL-103
	1-1/4	128111	P2B-SL-104S
	30mm	049944	P2B-SL-30M
207	1-1/4	128109	P2B-SL-104
	1-3/8	128173	P2B-SL-106
	1-7/16	128110	P2B-SL-107
	35mm	@	P2B-SL-35M

@ Assembled to order

SELECTION/DIMENSIONS



Setscrew Ball Bearings SL LIGHT DUTY PILLOW BLOCKS

Bearing Reference
Guide

ULTRA KLEEN

E-Z KLEEN

Extreme Duty

Setscrew Ball Bearing

GRIP TIGHT

D-LOK Ball Bearing

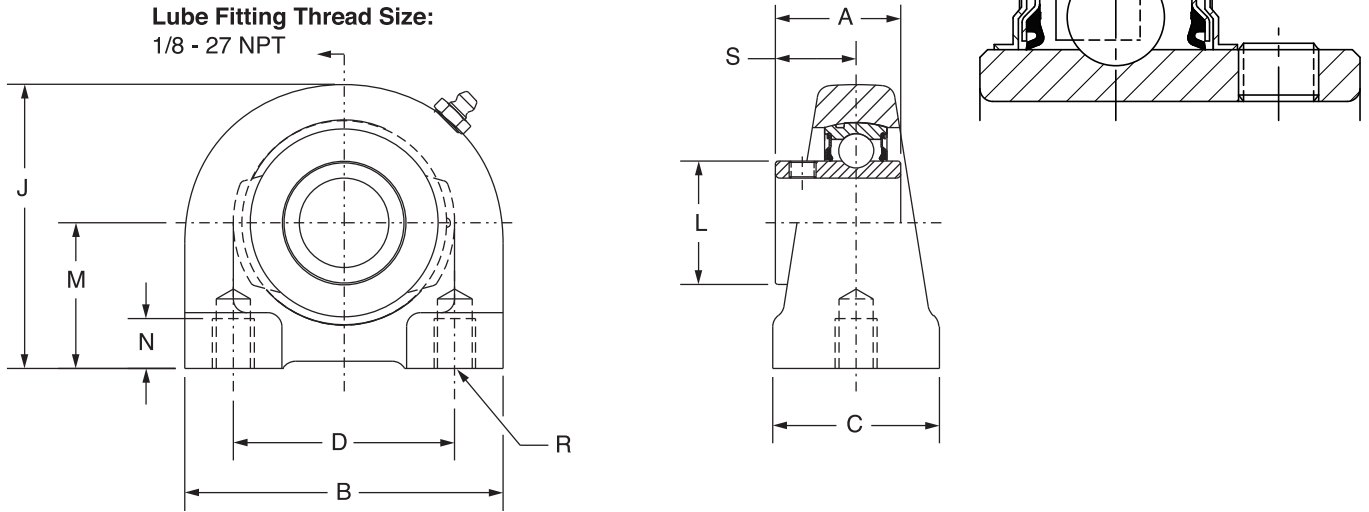
Series	Shaft Size	Weight lb. kg.	A	B	C	D	F Bolt Dia.	G	H	J	L	M	R	S	Housing Radial Load Rating (lbs)
203	1/2	0.51	1.00	3.63	1.00	2.69	1/4	0.50	0.13	1.75	0.96	0.88	0.36	0.64	250
	5/8	0.49													
	17mm	0.2	25.4	92.2	25.4	68.3	M6	12.7	3.3	44.5	24.4	22.4	9.1	16.3	1,112
204	3/4	0.61	1.02	4.13	1.00	3.00	3/8	0.50	0.15	2.06	1.12	1.00	0.29	0.73	350
	20mm	0.3	25.9	104.9	25.4	76.2	M10	12.7	3.8	52.3	28.4	25.4	7.4	18.5	1,556
205	7/8	0.79	1.06	4.50	1.13	3.38	3/8	0.56	0.21	2.22	1.32	1.13	0.30	0.76	400
	15/16	0.76													
	1	0.73	26.9	114.3	28.7	85.9	M10	14.2	5.3	56.4	33.5	28.7	7.6	19.3	1,779
206	25mm	0.4													
	1-1/8	1.14	1.26	4.88	1.25	3.75	3/8	0.56	0.24	2.62	1.57	1.31	0.35	0.91	600
	1-3/16	1.12													
207	1-1/4	1.54	1.40	5.75	1.25	4.25	1/2	0.75	0.24	3.12	1.84	1.56	0.37	1.03	800
	1-3/8	1.50													
	1-7/16	1.48	35.6	146.1	31.8	108.0	M12	19.1	6.1	79.2	46.7	39.6	9.4	26.2	3,557
	30mm	0.5													

FEATURES/BENEFITS PAGE B4-3	HOW TO ORDER/NOMENCLATURE PAGE B4-5	SELECTION PAGE B4-6	ACCESSORIES PAGE B4-98
--------------------------------	--	------------------------	---------------------------

SELECTION/DIMENSIONS



Setscrew Ball Bearings SC NORMAL DUTY TAPPED BASE PILLOW BLOCKS



Series	Shaft Size	Part No.	Description
204	1/2	124460	TB-SC-008
	5/8	124461	TB-SC-010
	3/4	124462	TB-SC-012
	20mm	130354	TB-SC-20M
205	7/8	124463	TB-SC-014
	15/16	124464	TB-SC-015
	1	124465	TB-SC-100
	25mm	130355	TB-SC-25M
206	1-1/16	124466	TB-SC-101
	1-1/8	124467	TB-SC-102
	1-3/16	124468	TB-SC-103
	1-1/4	124469	TB-SC-104S
	30mm	130356	TB-SC-30M
207	1-1/4	124470	TB-SC-104
	1-5/16	124471	TB-SC-105
	1-3/8	124472	TB-SC-106
	1-7/16	124473	TB-SC-107
	35mm	130357	TB-SC-35M
208	1-1/2	124479	TB-SC-108
	1-5/8	128998	TB-SC-110
	40mm	130358	TB-SC-40M
209	1-5/8	049859	TB-SC-110L
	1-11/16	054548	TB-SC-111
	1-3/4	054781	TB-SC-112
	45mm	130359	TB-SC-45M
210	1-15/16	124478	TB-SC-115
	2	052472	TB-SC-200
	50mm	130360	TB-SC-50M
211	2	124480	TB-SC-200L
	2-3/16	050386	TB-SC-203
	2-1/4	054436	TB-SC-204
	55mm	130361	TB-SC-55M

SELECTION/DIMENSIONS



Setscrew Ball Bearings SC NORMAL DUTY TAPPED BASE PILLOW BLOCKS

Bearing Reference Guide

ULTRA KLEEN

E-Z KLEEN

Extreme Duty

Setscrew Ball Bearing

GRIP TIGHT

D-LOK Ball Bearing

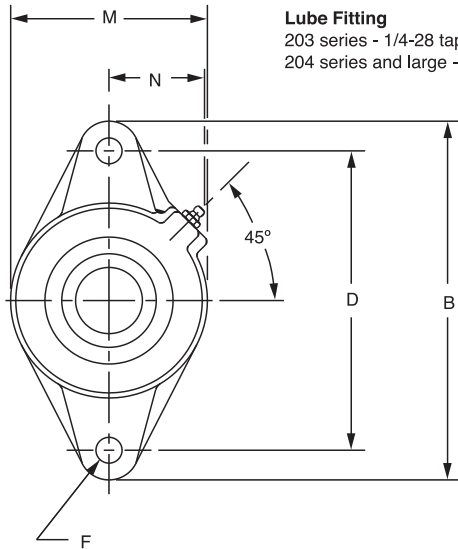
Series	Shaft Size	Weight lbs. kgs.	A	B	C	D	J	L	M	N	R	S
204	1/2	1.56	1.23	2.88	1.50	2.00	2.56	1.12	1.31	0.50	3/8-16	0.73
	5/8	1.53										
	3/4	1.50										
	20mm	0.06	31.2	73.2	38.1	50.8	65.0	28.4	33.4	12.7	M8x1.25	18.5
205	7/8	1.93	1.34	3.00	1.50	2.00	2.81	1.32	1.44	0.50	3/8-16	0.78
	15/16	1.90										
	1	1.87										
	25mm	0.07	34.0	76.2	38.1	50.8	71.4	33.5	36.5	12.7	M10x1.5	19.8
206	1-1/16	2.66	1.52	4.00	1.50	3.00	3.38	1.57	1.69	0.63	7/16-14	0.94
	1-1/8	2.62										
	1-3/16	2.59										
	30mm	0.10	38.6	101.6	38.1	76.2	85.9	39.9	42.9	16.0	M10x1.5	23.9
207	1-1/4	3.41	1.71	4.25	1.88	3.25	3.75	1.84	1.88	0.75	1/2-13	1.04
	1-5/16	3.36										
	1-3/8	3.34										
	35mm	0.13	43.4	108.0	47.8	82.6	95.3	46.7	47.6	19.1	M10x1.5	26.4
208	1-1/2	4.10	1.94	4.63	1.88	3.50	3.94	2.05	1.94	0.75	1/2-13	1.19
	1-5/8	4.00										
	40mm	0.16	49.3	117.6	47.8	88.9	100.1	52.1	49.2	19.1	M12x1.75	30.2
209	1-5/8	5.20	1.94	5.00	2.00	3.75	4.25	2.22	2.13	0.75	1/2-13	1.19
	1-11/16	5.00										
	45mm	0.20	49.3	127.0	50.8	95.3	108.0	56.4	54.0	19.1	M12x1.75	30.2
210	1-15/16	5.40	1.94	5.50	2.00	4.00	4.63	2.43	2.25	0.88	5/8-11	1.19
	2	5.20										
	50mm	0.21	49.3	139.7	50.8	101.6	117.6	61.7	57.2	22.4	M16x2	30.2
211	2	6.70	2.22	5.50	2.00	4.00	4.63	2.71	2.25	0.88	5/8-11	1.35
	2-3/16	6.50										
	2-1/4	6.30										
	55mm	0.25	56.4	139.7	50.8	101.6	117.6	68.8	57.2	22.4	M16x2	34.3

FEATURES/BENEFITS PAGE B4-3	HOW TO ORDER/NOMENCLATURE PAGE B4-5	SELECTION PAGE B4-6	ACCESSORIES PAGE B4-98
--------------------------------	--	------------------------	---------------------------

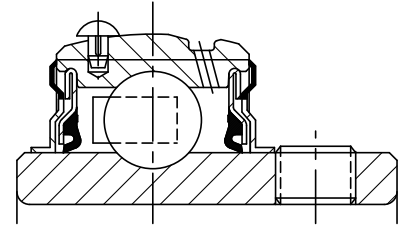
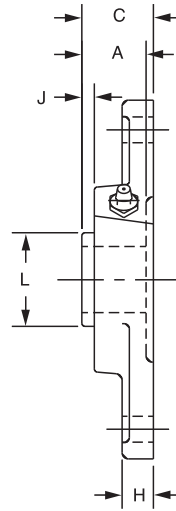
SELECTION/DIMENSIONS



Setscrew Ball Bearings SC NORMAL DUTY 2-BOLT FLANGE BEARINGS



Lube Fitting
203 series - 1/4-28 tapered thread
204 series and large - 1/8-27 NPT



Series	Shaft Size	Standard		No-Lube/Sealed for Life (-NL)	
		Part No.	Description	Part No.	Description
203	1/2	124198	F2B-SC-008	@	F2B-SC-008-NL
	5/8	124199	F2B-SC-010	124256	F2B-SC-010-NL
	17mm	125875	F2B-SC-17M	@	F2B-SC-17M-NL
204	1/2	124166	F2B-SC-008L	052220	F2B-SC-008L-NL
	5/8	124167	F2B-SC-010L	124176	F2B-SC-010L-NL
	3/4	124170	F2B-SC-012	124175	F2B-SC-012-NL
	20mm	125876	F2B-SC-20M	050119	F2B-SC-20M-NL
205	7/8	124171	F2B-SC-014	126516	F2B-SC-014-NL
	15/16	124172	F2B-SC-015	073662	F2B-SC-015-NL
	1	124173	F2B-SC-100	124174	F2B-SC-100-NL
	25mm	125877	F2B-SC-25M	124785	F2B-SC-25M-NL
206	1-1/16	124410	F2B-SC-101	@	F2B-SC-101-NL
	1-1/8	124274	F2B-SC-102	065766	F2B-SC-102-NL
	1-3/16	124275	F2B-SC-103	124614	F2B-SC-103-NL
	1-1/4	123172	F2B-SC-104S	064656	F2B-SC-104S-NL
	30mm	125878	F2B-SC-30M	126102	F2B-SC-30M-NL
207	1-1/4	124276	F2B-SC-104	126518	F2B-SC-104-NL
	1-5/16	124411	F2B-SC-105	@	F2B-SC-105-NL
	1-3/8	124277	F2B-SC-106	126519	F2B-SC-106-NL
	1-7/16	124278	F2B-SC-107	124618	F2B-SC-107-NL
	35mm	125879	F2B-SC-35M	067663	F2B-SC-35M-NL

@Assembled to order

FEATURES/BENEFITS PAGE B4-3	HOW TO ORDER/NOMENCLATURE PAGE B4-5	SELECTION PAGE B4-6	ACCESSORIES PAGE B4-98
--------------------------------	--	------------------------	---------------------------

SELECTION/DIMENSIONS



Setscrew Ball Bearings SC NORMAL DUTY 2-BOLT FLANGE BEARINGS

Bearing Reference Guide

ULTRA KLEEN

E-Z KLEEN

Extreme Duty

Setscrew Ball Bearing

GRIP TIGHT

D-LOK Ball Bearing

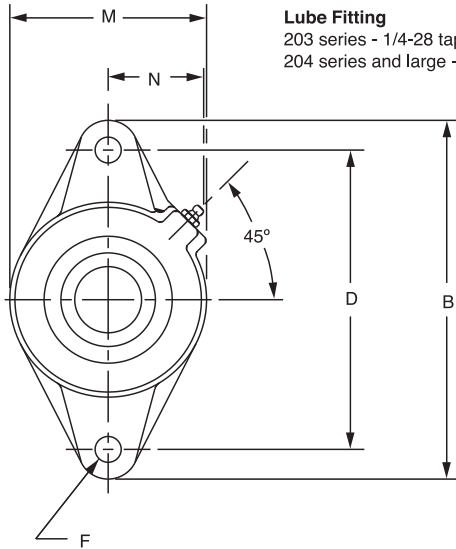
Series	Shaft Size	Weight lbs. kgs.	A	B	C	D	F Bolt Dia.	H	J	L	M	N
203	1/2	0.8	1.00	3.88	1.17	3.00	3/8	0.38	0.32	0.96	2.13	1.13
	5/8	0.7										
	17mm	0.3	25.4	98.6	29.7	76.2	M10	9.7	8.1	24.4	54.1	28.7
204	1/2	1.6	1.23	4.41	1.34	3.53	3/8	0.50	0.36	1.12	2.38	1.50
	5/8	1.5										
	3/4	1.4										
	20mm	0.5	31.2	112.0	34.0	89.7	M10	12.7	9.1	28.4	60.5	38.1
205	7/8	1.6	1.34	4.88	1.37	3.89	7/16	0.52	0.42	1.32	2.75	1.44
	15/16	1.5										
	1	1.4										
	25mm	0.6	34.0	124.0	34.8	98.8	M10	13.2	10.7	33.5	69.9	36.6
206	1-1/16	2.3	1.52	5.56	1.56	4.59	7/16	0.50	0.49	1.57	3.13	1.56
	1-1/8	2.2										
	1-3/16	2.1										
	1-1/4	2.0										
	30mm	1.0	38.6	141.2	39.6	116.7	M10	12.7	12.4	39.9	79.5	39.6
207	1-1/4	3.5	1.71	6.13	1.75	5.12	1/2	0.56	0.53	1.84	3.75	1.84
	1-5/16	3.4										
	1-3/8	3.2										
	1-7/16	3.1										
	35mm	1.5	43.4	155.7	44.5	130.0	M12	14.2	13.5	46.7	95.3	46.7

FEATURES/BENEFITS PAGE B4-3	HOW TO ORDER/NOMENCLATURE PAGE B4-5	SELECTION PAGE B4-6	ACCESSORIES PAGE B4-98
--------------------------------	--	------------------------	---------------------------

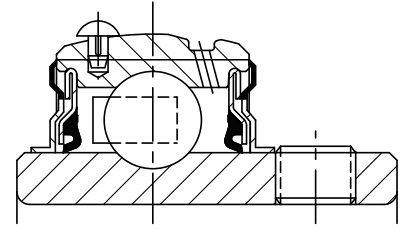
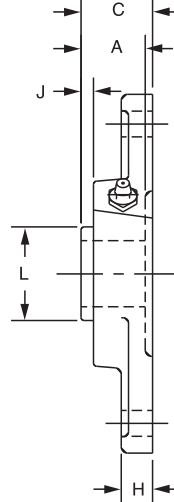
SELECTION/DIMENSIONS



Setscrew Ball Bearings SC NORMAL DUTY 2-BOLT FLANGE BEARINGS



Lube Fitting
203 series - 1/4-28 tapered thread
204 series and large - 1/8-27 NPT



Series	Shaft Size	Standard		No-Lube/Sealed for Life (-NL)	
		Part No.	Description	Part No.	Description
208	1-1/2	124268	F2B-SC-108	052011	F2B-SC-108-NL
	1-5/8	124412	F2B-SC-110	@	F2B-SC-110-NL
	40mm	125880	F2B-SC-40M	126042	F2B-SC-40M-NL
209	1-5/8	125171	F2B-SC-110L	@	F2B-SC-110L-NL
	1-11/16	124279	F2B-SC-111	067666	F2B-SC-111-NL
	1-3/4	124413	F2B-SC-112	126521	F2B-SC-112-NL
	1-13/16	124280	F2B-SC-113	067019	F2B-SC-113-NL
	45mm	125881	F3B-SC-45M	@	F2B-SC-45M-NL
210	1-15/16	124269	F2B-SC-115	126522	F2B-SC-115-NL
	2	124270	F2B-SC-200	126523	F2B-SC-200-NL
	50mm	125882	F2B-SC-50M	124282	F2B-SC-50M-NL
211	2	126293	F2B-SCM-200	065595	F2B-SCM-200-NL
	2-3/16	124034	F2B-SC-203	067959	F2B-SC-203-NL
	2-1/4	124373	F2B-SC-204	@	F2B-SC-204-NL
	55mm	124942	F2B-SC-55M	@	F2B-SC-55M-NL
212	2-1/4	@	F2B-SCM-204	093733	F2B-SCM-204-NL
	2-7/16	053175	F2B-SC-207	049437	F2B-SC-207-NL
	60mm	053883	F2B-SC-60M	@	F2B-SC-60M-NL

@Assembled to order

FEATURES/BENEFITS PAGE B4-3	HOW TO ORDER/NOMENCLATURE PAGE B4-5	SELECTION PAGE B4-6	ACCESSORIES PAGE B4-98
--------------------------------	--	------------------------	---------------------------

SELECTION/DIMENSIONS



Setscrew Ball Bearings SC NORMAL DUTY 2-BOLT FLANGE BEARINGS

Bearing Reference Guide

ULTRA KLEEN

E-Z KLEEN

Extreme Duty

Setscrew Ball Bearing

GRIP TIGHT

D-LOK Ball Bearing

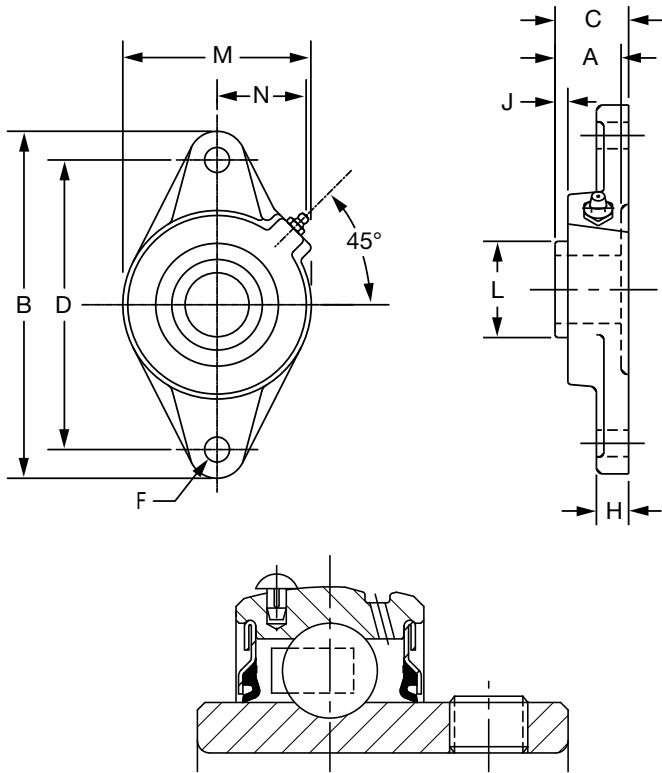
Series	Shaft Size	Weight lbs. kgs.	A	B	C	D	F Bolt Dia.	H	J	L	M	N
208	1-1/2	4.1	1.94	6.75	1.97	5.66	1/2	0.56	0.63	2.05	4.13	1.83
	1-5/8	4.0										
	40mm	1.8	49.3	171.5	50.0	143.8	M12	14.2	16.0	52.1	104.9	46.5
209	1-5/8	5.2	1.94	7.06	1.99	5.84	1/2	0.63	0.59	2.22	4.38	1.91
	1-11/16	5.0										
	1-3/4	4.9										
	1-13/16	4.7										
	45mm	2.2	49.3	179.3	50.5	148.3	M14	16.0	15.0	56.4	111.3	48.5
210	1-15/16	5.4	1.94	7.44	2.02	6.19	1/2	0.63	0.55	2.43	4.56	2.03
	2	5.2										
	50mm	2.5	49.3	189.0	51.3	157.2	M16	16.0	14.0	61.7	115.8	51.6
211	2	6.7	2.22	8.63	2.28	7.25	5/8	0.67	0.68	2.71	5.25	2.27
	2-3/16	6.5										
	2-1/4	6.3										
	55mm	3.0	56.4	219.2	57.9	184.2	M16	17.0	17.3	68.8	133.4	57.7
212	2-1/4	7.4	2.31	9.81	2.38	7.96	5/8	0.81	0.66	2.97	5.50	2.47
	2-7/16	7.0										
	60mm	3.4	58.7	249.2	60.5	202.1	M22	20.6	16.8	75.4	139.7	62.7

FEATURES/BENEFITS PAGE B4-3	HOW TO ORDER/NOMENCLATURE PAGE B4-5	SELECTION PAGE B4-6	ACCESSORIES PAGE B4-98
--------------------------------	--	------------------------	---------------------------

SELECTION/DIMENSIONS



Setscrew Ball Bearings SCAH NORMAL DUTY AIR HANDLING 2-BOLT FLANGE BEARINGS



Series	Shaft Size	Part No.	Description
203	1/2	@	F2B-SCAH-008
	5/8	049742	F2B-SCAH-010
	17mm	056902	F2B-SCAH-17M
204	1/2	@	F2B-SCAH-008L
	5/8	@	F2B-SCAH-010L
	3/4	123730	F2B-SCAH-012
	20mm	076602	F2B-SCAH-20M
205	7/8	@	F2B-SCAH-014
	15/16	124244	F2B-SCAH-015
	1	123731	F2B-SCAH-100
	25mm	@	F2B-SCAH-25M
206	1-1/16	@	F2B-SCAH-101
	1-1/8	@	F2B-SCAH-102
	1-3/16	123732	F2B-SCAH-103
	1-1/4	123184	F2B-SCAH-104S
	30mm	@	F2B-SCAH-30M
207	1-1/4	123733	F2B-SCAH-104
	1-5/16	@	F2B-SCAH-105
	1-3/8	@	F2B-SCAH-106
	1-7/16	123734	F2B-SCAH-107
	35mm	@	F2B-SCAH-35M

@ Assembled to order

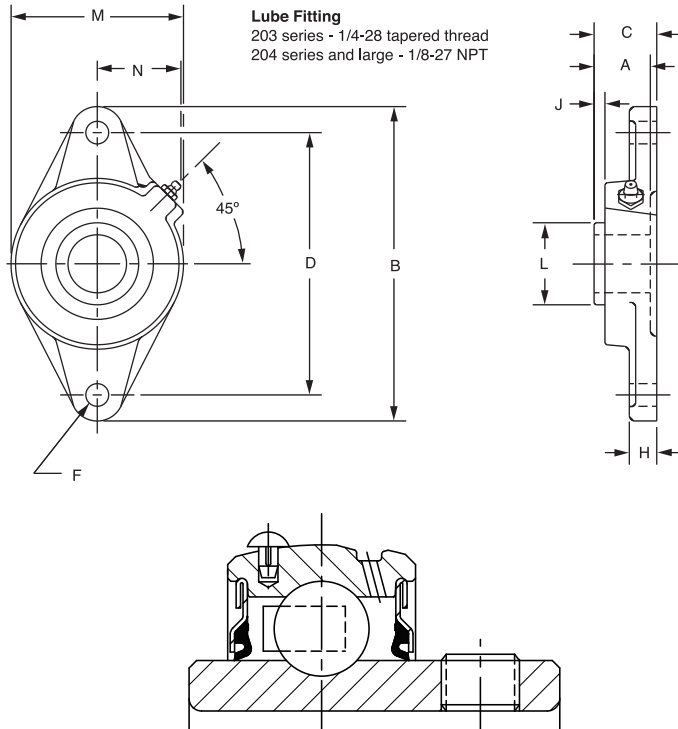
Series	Shaft Size	Weight lbs. kgs.	A	B	C	D	F	H	J	L	M	N
203	1/2	0.8	1.00	3.88	1.17	3.00	3/8	0.38	0.32	0.96	2.13	1.13
	5/8	0.7										
	17mm	0.3	25.4	98.6	29.7	76.2	M10	9.7	8.1	24.4	54.1	28.7
204	1/2	1.6	1.23	4.41	1.34	3.53	3/8	0.50	0.36	1.12	2.38	1.50
	5/8	1.5										
	3/4	1.4										
	20mm	0.5	31.2	112.0	34.0	89.7	M10	12.7	9.1	28.4	60.5	38.1
205	7/8	1.6	1.34	4.88	1.37	3.89	7/16	0.52	0.42	1.32	2.75	1.44
	15/16	1.5										
	1	1.4										
	25mm	0.6	34.0	124.0	34.8	98.8	M10	13.2	10.7	33.5	69.9	36.6
206	1-1/16	2.0	1.52	5.56	1.56	4.59	7/16	0.50	0.49	1.57	3.13	1.56
	1-1/8	2.2										
	1-3/16	2.1										
	1-1/4	2.0										
	30mm	1.0	38.6	141.2	39.6	116.7	M10	12.7	12.4	39.9	79.5	39.6
207	1-1/4	3.5	1.71	6.13	1.75	5.12	1/2	0.56	0.53	1.84	3.75	1.84
	1-5/16	3.45										
	1-3/8	3.2										
	1-7/16	3.1										
	35mm	1.5	43.4	155.7	44.5	130.0	M12	14.2	13.5	46.7	95.3	46.7

FEATURES/BENEFITS PAGE B4-3	HOW TO ORDER/NOMENCLATURE PAGE B4-5	SELECTION PAGE B4-6	ACCESSORIES PAGE B4-98
--------------------------------	--	------------------------	---------------------------

SELECTION/DIMENSIONS



Setscrew Ball Bearings SCAH NORMAL DUTY AIR HANDLING 2-BOLT FLANGE BEARINGS



Series	Shaft Size	Part No.	Description
208	1-1/2	123735	F2B-SCAH-108
	1-5/8	@	F2B-SCAH-110
	40mm	@	F2B-SCAH-40M
209	1-5/8	@	F2B-SCAH-110L
	1-11/16	123736	F2B-SCAH-111
	1-3/4	123737	F2B-SCAH-112
	45mm	@	F2B-SCAH-45M
210	1-15/16	123738	F2B-SCAH-115
	2	@	F2B-SCAH-200
	50mm	@	F2B-SCAH-50M
211	2	@	F2B-SCMAH-200
	2/3/16	124794	F2B-SCAH-203
	2-1/4	@	F2B-SCAH-204
	55mm	@	F2B-SCAH-55M
212	2-1/4	@	F2B-SCMAH-204
	2-7/16	057707	F2B-SCAH-207
	60mm	@	F2B-SCAH-60M

@ Assembled to order

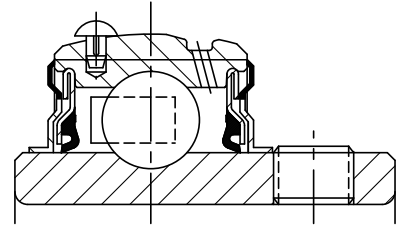
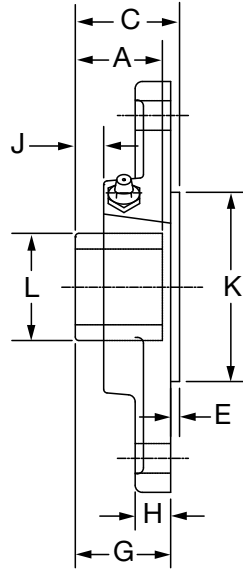
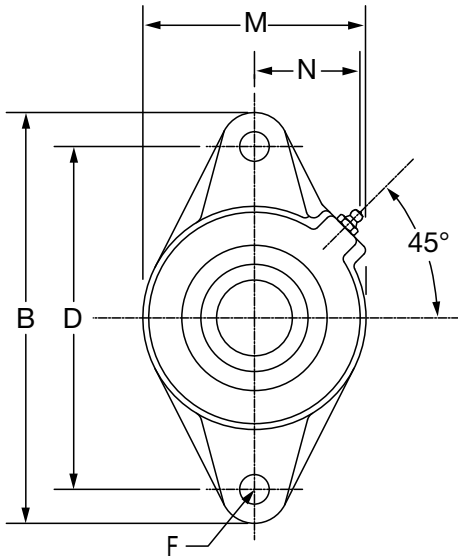
Series	Shaft Size	Weight lbs. kgs.	A	B	C	D	F Bolt Dia.	H	J	L	M	N
208	1-1/2	4.1	1.94	6.75	1.97	5.66	1/2	0.56	0.63	2.05	4.13	1.83
	1-5/8	4.0										
	40mm	1.8	49.3	171.5	50.0	143.8	M12	14.2	16.0	52.1	104.9	46.5
209	1-5/8	5.2	1.94	7.06	1.99	5.84	1/2	0.63	0.59	2.22	4.38	1.91
	1-11/16	5.0										
	1-3/4	4.9										
	45mm	2.2	49.3	179.3	50.5	148.3	M14	16.0	15.0	56.4	111.3	48.5
210	1-15/16	5.4	1.94	7.44	2.02	6.19	1/2	0.63	0.55	2.43	4.56	2.03
	2	5.2										
	50mm	2.5	49.3	189.0	51.3	157.2	M16	16.0	14.0	61.7	115.8	51.6
211	2	6.7	2.22	8.63	2.28	7.25	5/8	0.67	0.68	2.71	5.25	2.27
	2/3/16	6.4										
	2-1/4	6.3										
	55mm	3.0	56.4	219.2	57.9	184.2	M16	17.0	17.3	68.8	133.4	57.7
212	2-1/4	7.4	2.31	9.81	2.38	7.96	5/8	0.81	0.66	2.97	5.50	2.47
	2-7/16	7.0										
	60mm	3.4	58.7	249.2	60.5	202.1	M22	20.6	16.8	75.4	139.7	62.7

FEATURES/BENEFITS PAGE B4-3	HOW TO ORDER/NOMENCLATURE PAGE B4-5	SELECTION PAGE B4-6	ACCESSORIES PAGE B4-98
--------------------------------	--	------------------------	---------------------------



SELECTION/DIMENSIONS

Setscrew Ball Bearings SC NORMAL DUTY 2-BOLT PILOTED FLANGE BEARINGS



Series	Shaft Size	Part No.	Description
204	1/2	@	F2BZ-SC-008L
	5/8	064775	F2BZ-SC-010L
	3/4	062648	F2BZ-SC-012
	20mm	130367	F2BZ-SC-20M
205	7/8	068915	F2BZ-SC-014
	15/16	@	F2BZ-SC-015
	1	056929	F2BZ-SC-100
206	25mm	130368	F2BZ-SC-25M
	1-1/8	049926	F2BZ-SC-102
	1-3/16	064480	F2BZ-SC-103
	1-1/4	064361	F2BZ-SC-104S
207	30mm	130369	F2BZ-SC-30M
	1-1/4	064089	F2BZ-SC-104
	1-3/8	068937	F2BZ-SC-106
	1-7/16	065565	F2BZ-SC-107
208	35mm	130370	F2BZ-SC-35M
	1-1/2	062686	F2BZ-SC-108
	1-5/8	@	F2BZ-SC-110
209	40mm	130371	F2BZ-SC-40M
	1-5/8	@	F2BZ-SC-110L
	1-11/16	068839	F2BZ-SC-111
	1-3/4	@	F2BZ-SC-112
210	45mm	130372	F2BZ-SC-45M
	1-15/16	056845	F2BZ-SC-115
	2	074396	F2BZ-SC-200
	50mm	130373	F2BZ-SC-50M

@ Assembled to order

SELECTION/DIMENSIONS



Setscrew Ball Bearings SC NORMAL DUTY 2-BOLT PILOTED FLANGE BEARINGS

Bearing Reference Guide

ULTRA KLEEN

E-Z KLEEN

Extreme Duty

Setscrew Ball Bearing

GRIP TIGHT

D-LOK Ball Bearing

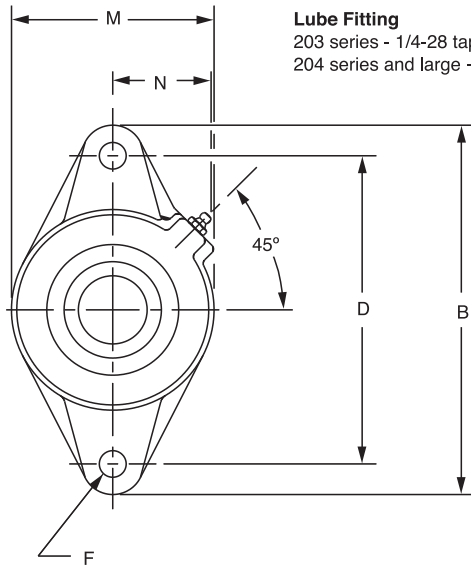
Series	Shaft Size	Weight lbs kg	A	B	C	D	E	F Bolt Dia	G	H	J	K	L	M	N
204	1/2	1.2	1.23	4.41	1.39	3.53	0.14	3/8	1.26	0.50	0.41	2.165/2.163	1.12	2.38	1.50
	5/8	1.2													
	3/4	1.1													
	20mm	0.3	31.2	112.0	35.3	89.7	3.6	M10	32.0	12.7	10.4	54.99/54.94	28.4	60.5	38.1
205	7/8	1.4	1.34	4.88	1.51	3.89	0.14	7/16	1.37	0.52	0.42	2.362/2.360	1.32	2.75	1.44
	15/16	1.4													
	1	1.4													
	25mm	0.6	34.0	124.0	38.4	98.8	3.6	M10	34.8	13.2	10.7	59.99/59.94	33.5	69.9	36.6
206	1-1/8	1.8	1.52	5.56	1.68	4.59	0.12	7/16	1.56	0.50	0.49	3.150/3.148	1.57	3.13	1.56
	1-3/16	1.8													
	1-1/4	1.8													
	30mm	0.8	38.6	141.2	42.7	116.7	3.0	M10	39.6	12.7	12.4	80.01/79.96	39.9	79.5	39.6
207	1-1/4	2.7	1.71	6.13	1.91	5.12	0.16	1/2	1.75	0.56	0.53	3.543/3.541	1.84	3.75	1.84
	1-3/8	2.6													
	1-7/16	2.6													
	35mm	1.2	43.4	155.7	48.5	130.0	4.1	M12	44.5	14.2	13.5	89.99/89.94	46.7	95.3	46.7
208	1-1/2	3.9	1.94	6.75	2.13	5.66	0.16	1/2	1.98	0.56	0.63	3.937/3.935	2.05	4.13	1.83
	1-5/8	3.8													
	40mm	1.7	49.3	171.5	54.1	143.8	4.1	M12	50.3	14.2	16.0	100.00/99.95	52.1	104.9	46.5
209	1-5/8	4.2	1.94	7.06	2.15	5.84	0.16	1/2	1.99	0.63	0.59	4.134/4.132	2.22	4.38	1.91
	1-11/16	4.1													
	1-3/4	4.1													
	45mm	2.5	49.3	179.3	54.6	148.3	4.1	M14	50.5	16.0	15.0	105.00/104.95	56.4	111.3	48.5
210	1-15/16	3.6	1.94	7.44	2.18	6.19	0.16	1/2	2.02	0.63	0.55	4.134/4.132	2.43	4.56	2.03
	2	4.4													
	50mm	2.6	49.3	189.0	55.4	157.2	4.1	M16	51.3	16.0	14.0	105.00/104.95	61.7	115.8	51.6

FEATURES/BENEFITS PAGE B4-3	HOW TO ORDER/NOMENCLATURE PAGE B4-5	SELECTION PAGE B4-6	ACCESSORIES PAGE B4-98
--------------------------------	--	------------------------	---------------------------

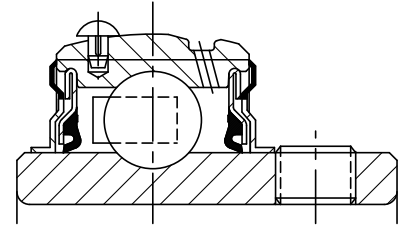
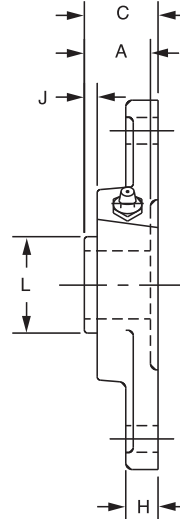
SELECTION/DIMENSIONS



Setscrew Ball Bearings SCM MEDIUM DUTY 2-BOLT FLANGE BEARINGS



Lube Fitting
203 series - 1/4-28 tapered thread
204 series and large - 1/8-27 NPT



Series	Shaft Size	Standard		Sealed for Life	
		Part No.	Description	Part No.	Description
206	1	126284	F2B-SCM-100	@	F2B-SCM-100-NL
	25mm	125954	F2B-SCM-25M	@	F2B-SCM-25M-NL
207	1-3/16	126285	F2B-SCM-103	@	F2B-SCM-103-NL
	1-1/4	124276	F2B-SC-104	126518	F2B-SC-104-NL
	30mm	125955	F2B-SCM-30M	@	F2B-SCM-30M-NL
208	1-7/16	126287	F2B-SCM-107	@	F2B-SCM-107-NL
	35mm	125956	F2B-SCM-35M	@	F2B-SCM-35M-NL
209	1-1/2	126288	F2B-SCM-108	126536	F2B-SCM-108-NL
	1-5/8	125171	F2B-SC-110L	@	F2B-SC-110L-NL
	40mm	125957	F2B-SCM-40M	067674	F2B-SCM-40M-NL
210	1-11/16	126289	F2B-SCM-111	@	F2B-SCM-111-NL
	1-3/4	126290	F2B-SCM-112	@	F2B-SCM-112-NL
	45mm	125958	F2B-SCM-45M	@	F2B-SCM-45M-NL
211	1-15/16	126292	F2B-SCM-115	@	F2B-SCM-115-NL
	2	126293	F2B-SCM-200	065595	F2B-SCM-200-NL
212	50mm	125960	F2B-SCM-50M	@	F2B-SCM-50M-NL
	2-3/16	062746	F2B-SCM-203	@	F2B-SCM-203-NL
	2-1/4	073492	F2B-SCM-204	@	F2B-SCM-204-NL
	55mm	@	F2B-SCM-55M	@	F2B-SCM-55M-NL

@ Assembled to order

FEATURES/BENEFITS PAGE B4-3	HOW TO ORDER/NOMENCLATURE PAGE B4-5	SELECTION PAGE B4-6	ACCESSORIES PAGE B4-98
--------------------------------	--	------------------------	---------------------------

SELECTION/DIMENSIONS



Setscrew Ball Bearings SCM MEDIUM DUTY 2-BOLT FLANGE BEARINGS

Bearing Reference Guide

ULTRA KLEEN

E-Z KLEEN

Extreme Duty

Setscrew Ball Bearing

GRIP TIGHT

D-LOK Ball Bearing

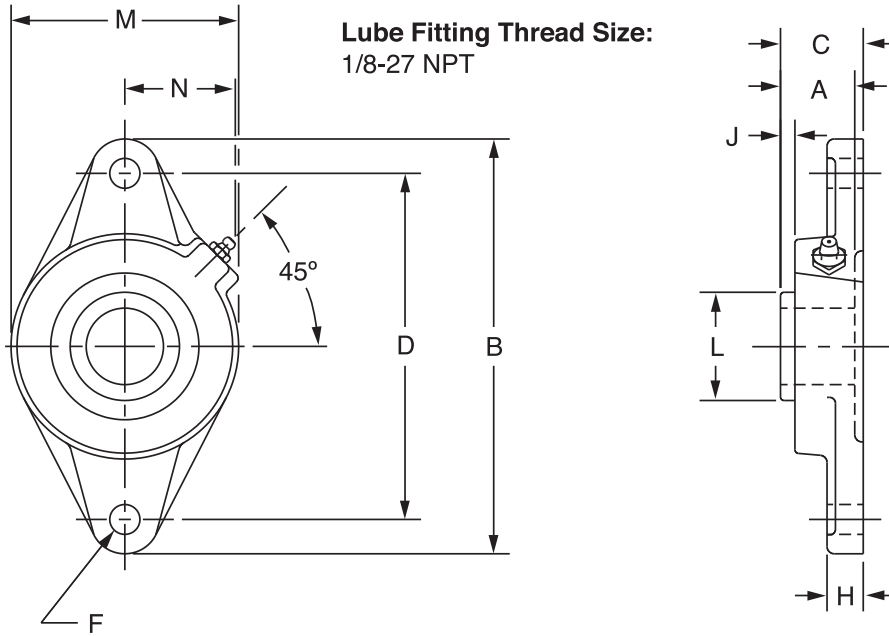
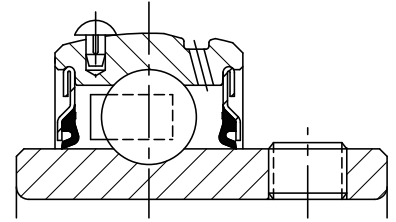
Series	Shaft Size	Weight lbs. kgs.	A	B	C	D	F Bolt Dia.	H	J	L	M	N
206	1	2.4	1.52	5.56	1.56	4.59	7/16	0.50	0.49	1.57	3.13	1.56
	25mm	1.0	38.6	141.2	39.6	116.7	M10	12.7	12.4	39.9	79.5	39.6
207	1-3/16	3.6	1.71	6.13	1.75	5.12	1/2	0.56	0.53	1.84	3.75	1.84
	1-1/4 30mm	3.5 1.6	43.4	155.7	44.5	130.0	M12	14.2	13.5	46.7	95.3	46.7
208	1-7/16	4.1	1.94	6.75	1.98	5.66	1/2	0.56	0.63	2.05	4.13	1.83
	35mm	1.9	49.3	171.5	50.3	143.8	M12	14.2	16.0	52.1	104.9	46.5
209	1-1/2	5.3	1.94	7.06	1.99	5.84	1/2	0.63	0.59	2.22	4.38	1.91
	1-5/8 40mm	5.2 2.3	49.3	179.3	50.5	148.3	M14	16.0	15.0	56.4	111.3	48.5
210	1-11/16	5.8	1.94	7.44	2.02	6.19	1/2	0.63	0.55	2.43	4.56	2.03
	1-3/4 45mm	5.6 2.6	49.3	189.0	51.3	157.2	M16	16.0	14.0	61.7	115.8	51.6
211	1-15/16	6.7	2.22	8.63	2.28	7.25	5/8	0.67	0.68	2.71	5.25	2.27
	2 50mm	6.5 2.9	56.4	219.2	57.9	184.2	M16	17.0	17.3	68.8	133.4	57.7
212	2-3/16	7.4	2.31	9.81	2.38	7.96	5/8	0.81	0.66	2.97	5.50	2.47
	2-1/4 55mm	7.2 3.2	58.7	249.2	60.5	202.1	M22	20.6	16.8	75.4	139.7	62.7

FEATURES/BENEFITS PAGE B4-3	HOW TO ORDER/NOMENCLATURE PAGE B4-5	SELECTION PAGE B4-6	ACCESSORIES PAGE B4-98
--------------------------------	--	------------------------	---------------------------



SELECTION/DIMENSIONS

Setscrew Ball Bearings SCMAH MEDIUM DUTY AIR HANDLING 2-BOLT FLANGE BEARINGS



Series	Shaft Size	Part No.	Standard Description
206	1	050498	F2B-SCMAH-100
	25mm	@	F2B-SCMAH-25M
207	1-3/16	050146	F2B-SCMAH-103
	1-1/4 30mm	@	F2B-SCAH-104 F2B-SCMAH-30M
208	1-7/16 35mm	123755 @	F2B-SCMAH-107 F2B-SCMAH-35M
209	1-1/2	123756	F2B-SCMAH-108
	1-5/8 40mm	@ @	F2B-SCAH-110L F2B-SCMAH-40M
210	1-11/16	123757	F2B-SCMAH-111
	1-3/4 45mm	123758 @	F2B-SCMAH-112 F2B-SCMAH-45M
211	1-15/16	064198	F2B-SCMAH-115
	2 50mm	@ @	F2B-SCMAH-200 F2B-SCMAH-50M
212	2-3/16	@	F2B-SCMAH-203
	2-1/4 55mm	@ @	F2B-SCMAH-204 F2B-SCMAH-55M

@ Assembled to order

FEATURES/BENEFITS PAGE B4-3	HOW TO ORDER/NOMENCLATURE PAGE B4-5	SELECTION PAGE B4-6	ACCESSORIES PAGE B4-98
--------------------------------	--	------------------------	---------------------------

SELECTION/DIMENSIONS



Bearing Reference Guide

ULTRA KLEEN

E-Z KLEEN

Extreme Duty

Setscrew Ball Bearing

GRIP TIGHT

D-LOK Ball Bearing

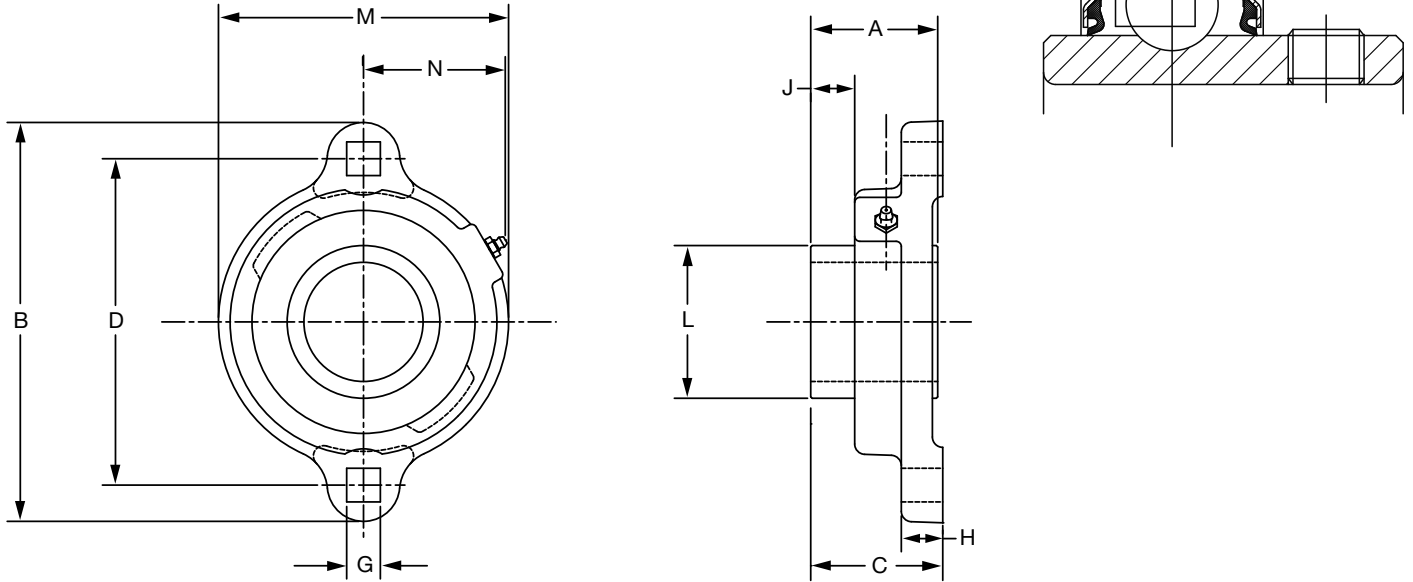
Series	Shaft Size	Weight lbs. kgs.	A	B	C	D	F Bolt Dia.	H	J	L	M	N
206	1	2.4	1.52	5.56	1.56	4.59	7/16	0.50	0.49	1.57	3.13	1.56
	25mm	1.0	38.6	141.2	39.6	116.7	M10	12.7	12.4	39.9	79.5	39.6
207	1-3/16	3.6	1.71	6.13	1.75	5.12	1/2	0.56	0.53	1.84	3.75	1.84
	1-1/4 30mm	3.5 1.6	43.4	155.7	44.5	130.0	M12	14.2	13.5	46.7	95.3	46.7
208	1-7/16	4.1	1.94	6.75	1.98	5.66	1/2	0.56	0.63	2.05	4.13	1.83
	35mm	1.9	49.3	171.5	50.3	143.8	M12	14.2	16.0	52.1	104.9	46.5
209	1-1/2	5.3	1.94	7.06	1.99	5.84	1/2	0.63	0.59	2.22	4.38	1.91
	1-5/8 40mm	5.2 2.3	49.3	179.3	50.5	148.3	M14	16.0	15.0	56.4	111.3	48.5
210	1-11/16	5.8	1.94	7.44	2.02	6.19	1/2	0.63	0.55	2.43	4.56	2.03
	1-3/4 45mm	5.6 2.6	49.3	189.0	51.3	157.2	M16	16.0	14.0	61.7	115.8	51.6
211	1-15/16	6.7	2.22	8.63	2.28	7.25	5/8	0.67	0.68	2.71	5.25	2.27
	2 50mm	6.5 2.9	56.4	219.2	57.9	184.2	M16	17.0	17.3	68.8	133.4	57.7
212	2-3/16	7.4	2.31	9.81	2.38	7.96	5/8	0.81	0.66	2.97	5.50	2.47
	2-1/4 55mm	7.2 3.2	58.7	249.2	60.5	202.1	M22	20.6	16.8	75.4	139.7	62.7

FEATURES/BENEFITS PAGE B4-3	HOW TO ORDER/NOMENCLATURE PAGE B4-5	SELECTION PAGE B4-6	ACCESSORIES PAGE B4-98
--------------------------------	--	------------------------	---------------------------

SELECTION/DIMENSIONS



Setscrew Ball Bearings SC LFT DUTY 2-BOLT FLANGE BEARINGS



Series	Shaft Size	Standard		Sealed for Life (No Lube)	
		Part No.	Description	Part No.	Description
203	1/2	124640	LFT-SC-008	124660	LFT-SC-008-NL
	5/8	124641	LFT-SC-010	124661	LFT-SC-010-NL
	17mm	130362	LFT-SC-17M	@	LFT-SC-17M-NL
204	3/4	124642	LFT-SC-012	124662	LFT-SC-012-NL
	20mm	130363	LFT-SC-20M	062260	LFT-SC-20M-NL
205	7/8	124643	LFT-SC-014	124663	LFT-SC-014-NL
	15/16	124644	LFT-SC-015	124664	LFT-SC-015-NL
	1	124645	LFT-SC-100	124665	LFT-SC-100-NL
	25mm	130364	LFT-SC-25M	068996	LFT-SC-25M-NL
206	1-1/16	124646	LFT-SC-101	124666	LFT-SC-101-NL
	1-1/8	124647	LFT-SC-102	124667	LFT-SC-102-NL
	1-3/16	124648	LFT-SC-103	124668	LFT-SC-103-NL
	1-1/4	124649	LFT-SC-104S	124669	LFT-SC-104S-NL
	30mm	130365	LFT-SC-30M	@	LFT-SC-30M-NL
207	1-1/4	124650	LFT-SC-104	124670	LFT-SC-104-NL
	1-5/16	124651	LFT-SC-105	124671	LFT-SC-105-NL
	1-3/8	124652	LFT-SC-106	124672	LFT-SC-106-NL
	1-7/16	124653	LFT-SC-107	124673	LFT-SC-107-NL
	35mm	130366	LFT-SC-35M	@	LFT-SC-35M-NL

* No lube fitting required in the SCLFT NoLube

@ Assembled to order.

FEATURES/BENEFITS PAGE B4-3	HOW TO ORDER/NOMENCLATURE PAGE B4-5	SELECTION PAGE B4-6	ACCESSORIES PAGE B4-98
--------------------------------	--	------------------------	---------------------------

SELECTION/DIMENSIONS



Setscrew Ball Bearings SC LFT DUTY 2-BOLT FLANGE BEARINGS

Bearing Reference Guide

ULTRA KLEEN

E-Z KLEEN

Extreme Duty

Setscrew Ball Bearing

GRIP TIGHT

D-LOK Ball Bearing

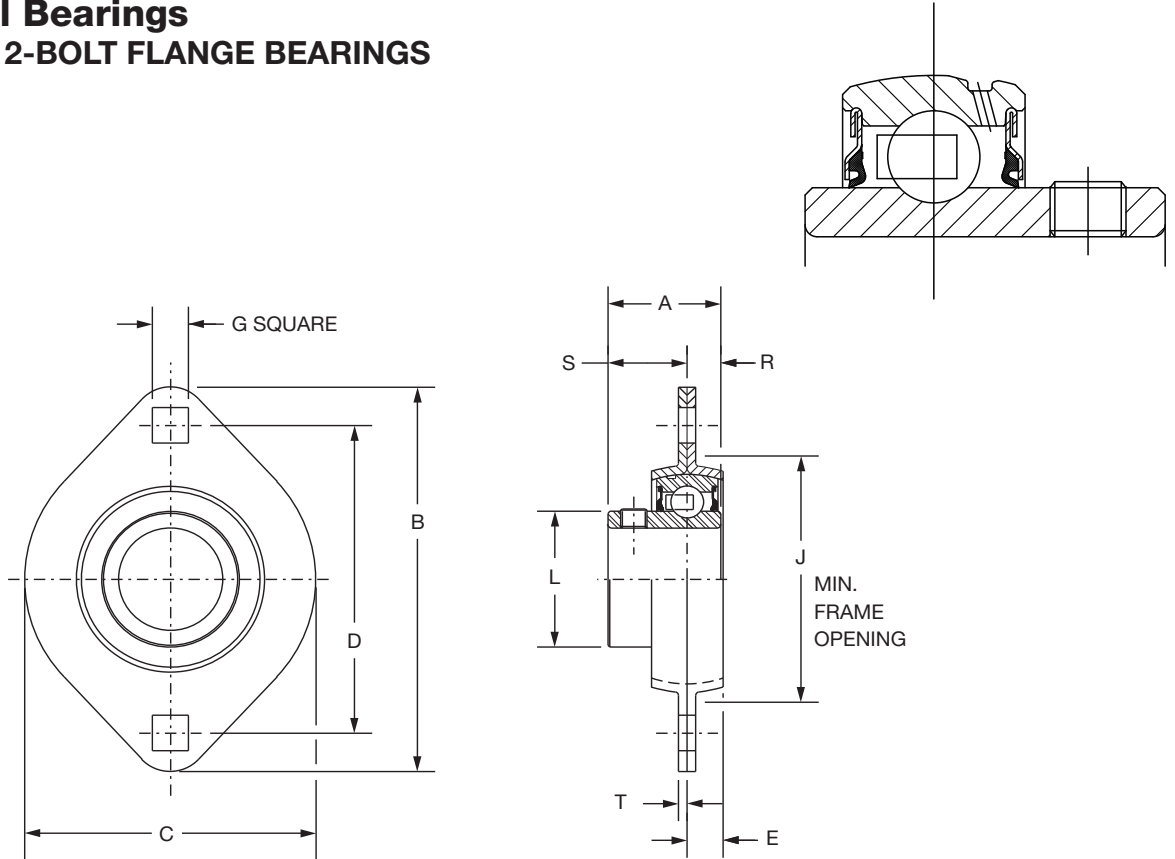
Series	Shaft Size	Weight lbs. kgs.	A	B	C	D	G	H	J	L	M	N
203	1/2	0.60	1.00	3.19	1.05	2.50	0.28	0.38	0.33	0.96	2.13	1.23
	5/8	0.55										
	17mm	0.27	25.4	81.0	26.7	63.5	7.1	9.7	8.4	24.4	54.1	31.2
204	3/4	0.80	1.02	3.56	1.21	2.81	0.34	0.42	0.36	1.12	2.38	1.34
	20mm	0.36	25.9	90.4	30.7	71.4	8.6	10.7	9.1	28.4	60.5	34.0
205	7/8	0.95	1.06	3.75	1.24	3.00	0.34	0.42	0.37	1.32	2.63	1.44
	15/16	0.90										
	1	0.85										
	25mm	0.43	26.9	95.3	31.5	76.2	8.6	10.7	9.4	33.5	66.8	36.6
206	1-1/16	1.50	1.26	4.44	1.45	3.56	0.41	0.47	0.46	1.57	3.25	1.72
	1-1/8	1.45										
	1-3/16	1.40										
	1-1/4	1.35										
	30mm	0.67	32.0	112.8	36.8	90.4	10.4	11.9	11.7	39.9	82.6	43.7
207	1-1/4	1.85	1.40	4.82	1.59	3.94	0.41	0.50	0.52	1.84	3.50	1.83
	1-5/16	1.80										
	1-3/8	1.75										
	1-7/16	1.70										
	35mm	0.81	35.6	122.4	40.4	100.1	10.4	12.7	13.2	46.7	88.9	46.5

FEATURES/BENEFITS PAGE B4-3	HOW TO ORDER/NOMENCLATURE PAGE B4-5	SELECTION PAGE B4-6	ACCESSORIES PAGE B4-98
--------------------------------	--	------------------------	---------------------------

SELECTION/DIMENSIONS



Setscrew Ball Bearings SL LIGHT DUTY 2-BOLT FLANGE BEARINGS



Series	Shaft Size	Part No.	Description
203	1/2	128151	F2B-SL-008
	5/8	128154	F2B-SL-010
	17mm	068789	F2B-SL-17M
204	3/4	128092	F2B-SL-012
	20mm	074287	F2B-SL-20M
205	7/8	128174	F2B-SL-014
	15/16	128175	F2B-SL-015
	1	128093	F2B-SL-100
	25mm	074288	F2B-SL-25M
206	1-1/8	128176	F2B-SL-102
	1-3/16	128094	F2B-SL-103
	1-1/4	128097	F2B-SL-104S
	30mm	@	F2B-SL-30M
207	1-1/4	128095	F2B-SL-104
	1-3/8	128177	F2B-SL-106
	1-7/16	128096	F2B-SL-107
	35mm	068532	F2B-SL-35M

FEATURES/BENEFITS PAGE B4-3	HOW TO ORDER/NOMENCLATURE PAGE B4-5	SELECTION PAGE B4-6	ACCESSORIES PAGE B4-98
--------------------------------	--	------------------------	---------------------------

SELECTION/DIMENSIONS



Setscrew Ball Bearings SL LIGHT DUTY 2-BOLT FLANGE BEARINGS

Bearing Reference Guide

ULTRA KLEEN

E-Z KLEEN

Extreme Duty

Setscrew Ball Bearing

GRIP TIGHT

D-LOK Ball Bearing

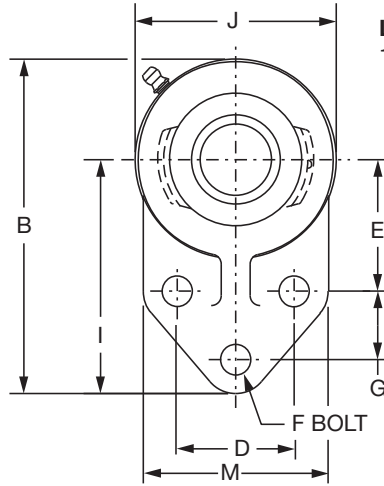
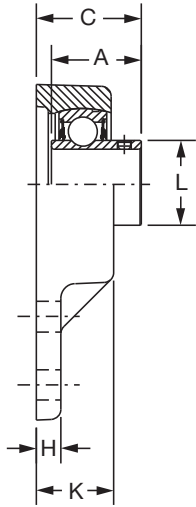
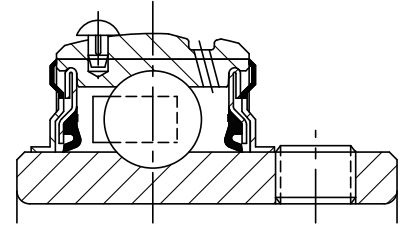
Series	Shaft Size	Weight lbs. kgs.	A	B	C	D	E	G	J	L	R	S	T
203	1/2	0.45	1.00	3.19	2.31	2.54	0.28	0.28	1.94	0.96	0.36	0.64	0.08
	5/8	0.42											
	17mm	0.20	25.4	81.0	58.7	64.5	7.1	7.1	49.3	24.4	9.1	16.3	2.0
204	3/4	0.55	1.02	3.56	2.63	2.81	0.31	0.34	2.19	1.12	0.29	0.73	0.08
	20mm	0.25	25.9	90.4	66.8	71.4	7.9	8.6	55.6	28.4	7.4	18.5	2.0
205	7/8	0.891	1.06	3.75	2.80	3.00	0.34	0.34	2.38	1.32	0.30	0.76	0.08
	15/16	0.77											
	1 25mm	0.65 0.34	26.9	95.3	71.1	76.2	8.6	8.6	60.5	33.5	7.6	19.3	2.0
206	1-1/8	1.05	1.26	4.44	3.31	3.56	0.34	0.41	2.81	1.57	0.35	0.91	0.10
	1-3/16	1.02											
	1-1/4 30mm	1.00 0.46	32.0	112.8	84.1	90.4	8.6	10.4	71.4	39.9	8.9	23.1	2.5
207	1-1/4	1.53	1.40	4.94	3.69	3.94	0.44	0.41	3.19	1.84	0.37	1.03	0.10
	1-3/8	1.5											
	1-7/16 35mm	1.37 0.67	35.6	125.5	93.7	100.1	11.2	10.4	81.0	46.7	9.4	26.2	2.5

FEATURES/BENEFITS PAGE B4-3	HOW TO ORDER/NOMENCLATURE PAGE B4-5	SELECTION PAGE B4-6	ACCESSORIES PAGE B4-98
--------------------------------	--	------------------------	---------------------------



SELECTION/DIMENSIONS

Setscrew Ball Bearings SC FB NORMAL DUTY 3-BOLT FLANGED BRACKET BEARINGS



Lube Fitting Thread Size:
1/8-27 NPT

Series	Shaft Size	Standard		No Lube/Sealed for Life (-NL)	
		Part No.	Description	Part No.	Description
204	1/2	124435	FB-SC-008	068720	FB-SC-008-NL
	5/8	124436	FB-SC-010	059816	FB-SC-010-NL
	3/4	124437	FB-SC-012	058544	FB-SC-012-NL
205	7/8	124438	FB-SC-014	056765	FB-SC-014-NL
	15/16	124439	FB-SC-015	@	FB-SC-015-NL
206	1	124440	FB-SC-100	051774	FB-SC-100-NL
	1-1/16	124441	FB-SC-101	@	FB-SC-101-NL
	1-1/8	124442	FB-SC-102	@	FB-SC-102-NL
	1-3/16	124443	FB-SC-103	049615	FB-SC-103-NL
207	1-1/4	124444	FB-SC-104S	124450	FB-SC-104S-NL
	1-1/4	124445	FB-SC-104	058545	FB-SC-104-NL
	1-5/16	124446	FB-SC-105	@	FB-SC-105-NL
	1-3/8	124447	FB-SC-106	@	FB-SC-106-NL
	1-7/16	124448	FB-SC-107	052016	FB-SC-107-NL
210	1-11/16	052906	FB-SCM-111	068840	FB-SCM-111-NL
	1-15/16	052094	FB-SC-115	073669	FB-SC-115-NL
	2	058529	FB-SC-200	073139	FB-SC-200-NL

@ Assembled to order.

FEATURES/BENEFITS PAGE B4-3	HOW TO ORDER/NOMENCLATURE PAGE B4-5	SELECTION PAGE B4-6	ACCESSORIES PAGE B4-98
--------------------------------	--	------------------------	---------------------------

SELECTION/DIMENSIONS



Setscrew Ball Bearings SC FB NORMAL DUTY 3-BOLT FLANGED BRACKET BEARINGS

Bearing Reference Guide

ULTRA KLEEN

E-Z KLEEN

Extreme Duty

Setscrew Ball Bearing

GRIP TIGHT

D-LOK Ball Bearing

Series	Shaft Size	Weight lbs. kgs.	A	B	C	D	E	F Bolt Dia.	G	H	I	J	K	L	M
204	1/2	1.51	1.23	4.25	1.34	1.50	1.69	3/8	0.88	0.31	3.00	2.50	0.98	1.12	2.38
	5/8	1.48													
	3/4	1.45	31.2	108.0	34.0	38.1	42.9	M10	22.4	7.9	76.2	63.5	24.9	28.4	60.5
205	7/8	1.81	1.34	4.75	1.51	1.63	1.81	3/8	1.13	0.38	3.38	2.75	1.11	1.32	2.50
	15/16	1.78													
	1	1.75	34.0	120.7	38.4	41.4	46.0	M10	28.7	9.7	85.9	69.9	28.2	33.5	63.5
206	1-1/16	2.12	1.52	5.38	1.65	1.88	2.06	3/8	1.25	0.38	3.75	3.25	1.13	1.57	2.75
	1-1/8	2.08													
	1-3/16	2.05													
	1-1/4	2.02	38.6	136.7	41.9	47.8	52.3	M10	31.8	9.7	95.3	82.6	28.7	39.9	69.9
207	1-1/4	3.46	1.71	6.13	1.88	2.00	2.37	1/2	1.25	0.50	4.25	3.75	1.31	1.84	3.25
	1-5/16	3.41													
	1-3/8	3.36													
	1-7/16	3.30	43.4	155.7	47.8	50.8	60.2	M12	31.8	12.7	108.0	95.3	33.3	46.7	82.6
210	1-11/16	5.70	1.94	7.50	2.06	2.75	2.94	1/2	1.63	0.50	5.19	4.63	1.50	2.43	4.00
	1-15/16	5.50													
	2	5.40	49.3	190.5	52.3	69.9	74.7	M12	41.4	12.7	131.8	117.6	38.1	61.7	101.6

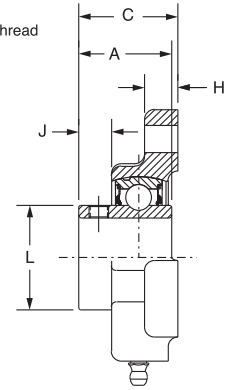
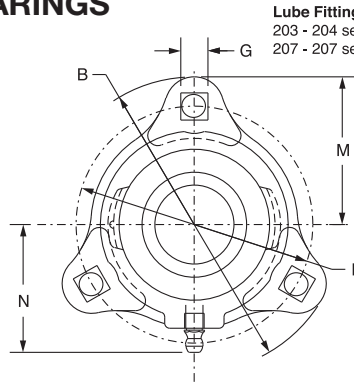
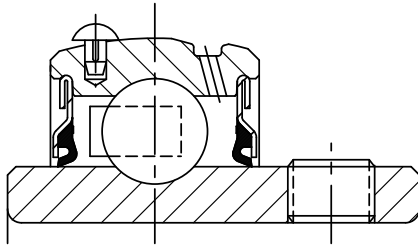
FEATURES/BENEFITS PAGE B4-3	HOW TO ORDER/NOMENCLATURE PAGE B4-5	SELECTION PAGE B4-6	ACCESSORIES PAGE B4-98
--------------------------------	--	------------------------	---------------------------

SELECTION/DIMENSIONS



Setscrew Ball Bearings SC LF NORMAL DUTY 3-BOLT FLANGE BEARINGS

Lube Fitting Thread Size:
203 - 204 series - 1/4-28 tapered thread
207 - 207 series - 1/8-27 NPT



Series	Shaft Size	Standard		Sealed for Life (No Lube)	
		Part No.	Description	Part No.	Description
203	1/2	124600	LF-SC-008	124620	LF-SC-008-NL
	5/8	124601	LF-SC-010	124621	LF-SC-010-NL
	17mm	050895	LF-SC-17M	@	LF-SC-17M-NL
204	3/4	124602	LF-SC-012	124622	LF-SC-012-NL
	20mm	124934	LF-SC-20M	125384	LF-SC-20M-NL
205	7/8	124603	LF-SC-014	124623	LF-SC-014-NL
	15/16	124604	LF-SC-015	124624	LF-SC-015-NL
	1	124605	LF-SC-100	124625	LF-SC-100-NL
	25mm	@	LF-SC-25M	@	LF-SC-25M-NL
206	1-1/16	124606	LF-SC-101	124626	LF-SC-101-NL
	1-1/8	124607	LF-SC-102	124627	LF-SC-102-NL
	1-3/16	124608	LF-SC-103	124628	LF-SC-103-NL
	1-1/4	124609	LF-SC-104S	124629	LF-SC-104S-NL
	30mm	067892	LF-SC-30M	@	LF-SC-30M-NL
207	1-1/4	124610	LF-SC-104	124630	LF-SC-104-NL
	1-5/16	124611	LF-SC-105	124631	LF-SC-105-NL
	1-3/8	124612	LF-SC-106	124632	LF-SC-106-NL
	1-7/16	124613	LF-SC-107	124633	LF-SC-107-NL
	35mm	065699	LF-SC-35M	@	LF-SC-35M-NL

@ Assembled to order.

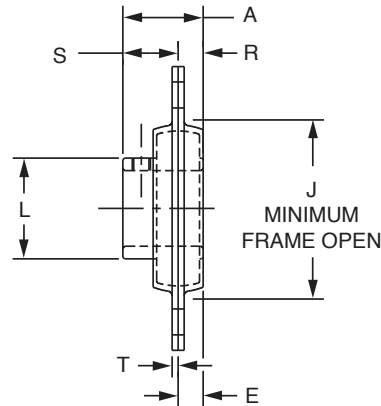
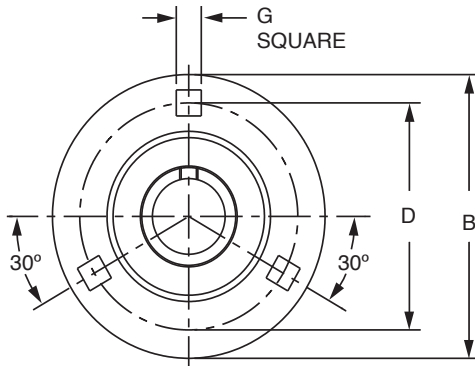
Series	Shaft Size	Weight lbs. kgs.	A	B	C	D	G	H	J	L	M	N
203	1/2	0.65	1.00	3.19	1.05	2.50	0.28	0.38	0.33	0.96	1.59	1.84
	5/8	0.60										
	17mm	0.29	25.4	81.0	26.7	63.5	7.1	9.7	8.4	24.4	40.4	46.7
204	3/4	0.85	1.02	3.56	1.21	2.81	0.34	0.42	0.36	1.12	1.78	1.56
	20mm	0.38	25.9	90.4	30.7	71.4	8.6	10.7	9.1	28.4	45.2	39.6
205	7/8	1.10	1.06	3.75	1.24	3.00	0.34	0.42	0.37	1.32	1.88	1.70
	15/16	1.05										
	1	1.00										
206	25mm	0.47	26.9	95.3	31.5	76.2	8.6	10.7	9.4	33.5	47.8	43.2
	1-1/16	1.65	1.26	4.44	1.45	3.56	0.41	0.47	0.46	1.57	2.22	2.02
	1-1/8	1.60										
	1-3/16	1.55										
207	1-1/4	2.10	1.40	4.81	1.59	3.94	0.41	0.50	0.52	1.84	2.41	2.14
	1-5/16	2.05										
	1-3/8	2.00										
	1-7/16	1.95										
	35mm	0.90	35.6	122.2	40.4	100.1	10.4	12.7	13.2	46.7	61.2	54.4

FEATURES/BENEFITS PAGE B4-3	HOW TO ORDER/NOMENCLATURE PAGE B4-5	SELECTION PAGE B4-6	ACCESSORIES PAGE B4-98
--------------------------------	--	------------------------	---------------------------

SELECTION/DIMENSIONS



Setscrew Ball Bearings SL LIGHT DUTY 3-BOLT FLANGE BEARINGS



Series	Shaft Size	Part No.	Description
204	3/4	128083	F3B-SL-012
	20mm	@	F3B-SL-20M
205	7/8	128178	F3B-SL-014
	15/16	128179	F3B-SL-015
	1	128084	F3B-SL-100
	25mm	@	F3B-SL-25M
206	1-1/8	128180	F3B-SL-102
	1-3/16	128085	F3B-SL-103
	1-1/4	128082	F3B-SL-104S
	30mm	@	F3B-SL-30M
207	1-1/4	128086	F3B-SL-104
	1-3/8	128181	F3B-SL-106
	1-7/16	128087	F3B-SL-107
	35mm	@	F3B-SL-35M

@ Assembled to order.

Series	Shaft Size	Weight lbs. kgs.	A	B	D	E	G	J	L	R	S	T
204	3/4	0.74	1.02	3.56	2.81	0.31	0.34	2.19	1.12	0.29	0.73	0.08
	20mm	0.33	25.9	90.4	71.4	7.9	8.6	55.6	28.4	7.4	18.5	2.0
205	7/8	1.01	1.06	3.75	3.00	0.34	0.34	2.38	1.32	0.30	0.76	0.08
	15/16	0.97										
	1	0.85										
	25mm	0.43	26.9	95.3	76.2	8.6	8.6	60.5	33.5	7.6	19.3	2.0
206	1-1/8	1.39	1.26	4.44	3.56	0.34	0.41	2.81	1.57	0.35	0.91	0.10
	1-3/16	1.36										
	1-1/4	1.34										
	30mm	0.61	32.0	112.8	90.4	8.6	10.4	71.4	39.9	8.9	23.1	2.5
207	1-1/4	1.89	1.40	4.81	3.94	0.38	0.41	3.19	1.84	0.37	1.03	0.10
	1-3/8	1.86										
	1-7/16	1.73										
	35mm	0.83	35.6	122.2	100.1	9.7	10.4	81.0	46.7	9.4	26.2	2.5

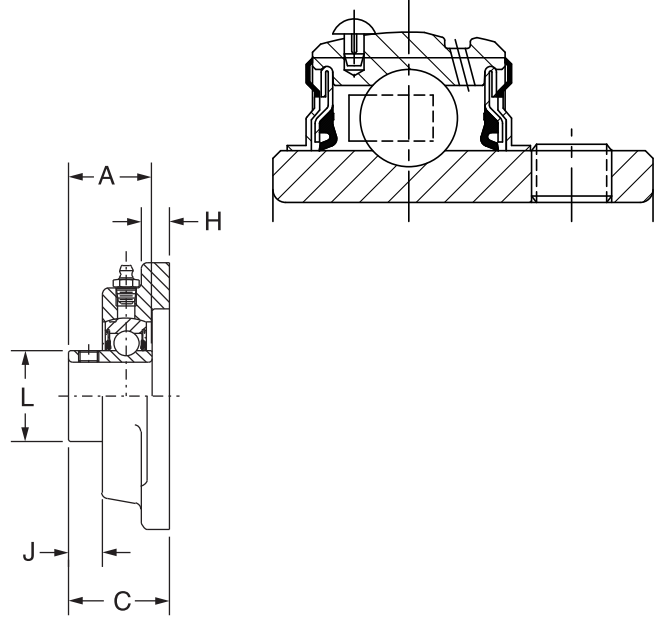
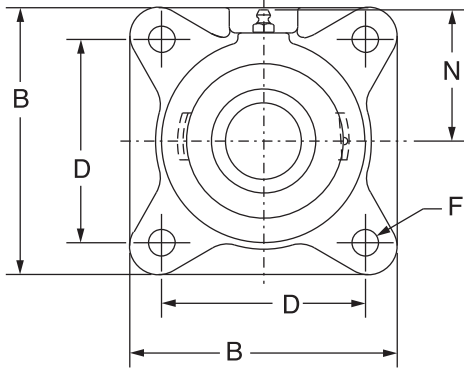
FEATURES/BENEFITS PAGE B4-3	HOW TO ORDER/NOMENCLATURE PAGE B4-5	SELECTION PAGE B4-6	ACCESSORIES PAGE B4-98
--------------------------------	--	------------------------	---------------------------

SELECTION/DIMENSIONS



Setscrew Ball Bearings SC NORMAL DUTY 4-BOLT FLANGE BEARINGS

Lube Fitting Thread Size:
 203 - 204 series - 1/4-28 tapered thread
 207 - 207 series - 1/8-27 NPT



Series	Shaft Size	Standard		No-Lube/Sealed for Life (-NL)	
		Part No.	Description	Part No.	Description
203	1/2	124048	F4B-SC-008	@	F4B-SC-008-NL
	5/8	124049	F4B-SC-010	067642	F4B-SC-010-NL
	17mm	125885	F4B-SC-17M	@	F4B-SC-17M-NL
204	1/2	124098	F4B-SC-008L	@	F4B-SC-008L-NL
	5/8	124099	F4B-SC-010L	@	F4B-SC-010L-NL
	3/4	124100	F4B-SC-012	052010	F4B-SC-012-NL
	13/16	124567	F4B-SC-013	@	F4B-SC-013-NL
	20mm	125886	F4B-SC-20M	074714	F4B-SC-20M-NL
205	7/8	124101	F4B-SC-014	075765	F4B-SC-014-NL
	15/16	124102	F4B-SC-015	126524	F4B-SC-015-NL
	1	124103	F4B-SC-100	126525	F4B-SC-100-NL
	25mm	125887	F4B-SC-25M	064943	F4B-SC-25M-NL
206	1-1/16	124218	F4B-SC-101	@	F4B-SC-101-NL
	1-1/8	124204	F4B-SC-102	126526	F4B-SC-102-NL
	1-3/16	124205	F4B-SC-103	050834	F4B-SC-103-NL
	1-1/4	123173	F4B-SC-104S	051987	F4B-SC-104S-NL
	30mm	125888	F4B-SC-30M	067874	F4B-SC-30M-NL
207	1-1/4	124206	F4B-SC-104	126528	F4B-SC-104-NL
	1-5/16	124219	F4B-SC-105	@	F4B-SC-105-NL
	1-3/8	124207	F4B-SC-106	052009	F4B-SC-106-NL
	1-7/16	124208	F4B-SC-107	050835	F4B-SC-107-NL
	35mm	125889	F4B-SC-35M	@	F4B-SC-35M-NL

@ Assembled to order

FEATURES/BENEFITS PAGE B4-3	HOW TO ORDER/NOMENCLATURE PAGE B4-5	SELECTION PAGE B4-6	ACCESSORIES PAGE B4-98
--------------------------------	--	------------------------	---------------------------

SELECTION/DIMENSIONS



Setscrew Ball Bearings SC NORMAL DUTY 4-BOLT FLANGE BEARINGS

Bearing Reference Guide

ULTRA KLEEN

E-Z KLEEN

Extreme Duty

Setscrew Ball Bearing

GRIP TIGHT

D-LOK Ball Bearing

Series	Shaft Size	Weight lbs. kgs.	A	B	C	D	F	H	J	L	N
203	1/2	1.1	1.00	3.00	1.17	2.13	3/8	0.44	0.32	0.96	1.69
	5/8	1.0									
	17mm	0.5	25.4	76.2	29.7	54.0	M10	11.2	8.1	24.4	42.9
204	1/2	1.8	1.23	3.38	1.34	2.5	3/8	0.44	0.36	1.12	1.94
	5/8	1.7									
	3/4	1.6									
	13/16	1.5									
	20mm	0.8	31.2	85.9	34.0	63.5	M10	11.2	9.1	28.4	49.3
205	7/8	2.0	1.34	3.75	1.37	2.75	7/16	0.50	0.42	1.32	2.06
	15/16	1.9									
	1	1.8									
	25mm	0.9	34.0	95.3	34.8	69.9	M10	12.7	10.7	33.5	52.3
206	1-1/16	2.9	1.52	4.25	1.56	3.25	7/16	0.50	0.49	1.57	2.19
	1-1/8	2.8									
	1-3/16	2.7									
	1-1/4	2.6									
	30mm	1.3	38.6	108.0	39.6	82.6	M10	12.7	12.4	39.9	55.6
207	1-1/4	4.0	1.71	4.75	1.75	3.63	1/2	0.56	0.53	1.84	2.44
	1-5/16	3.9									
	1-3/8	3.8									
	1-7/16	3.7									
	35mm	1.7	43.4	120.7	44.5	92.1	M12	14.2	13.5	46.7	62.0

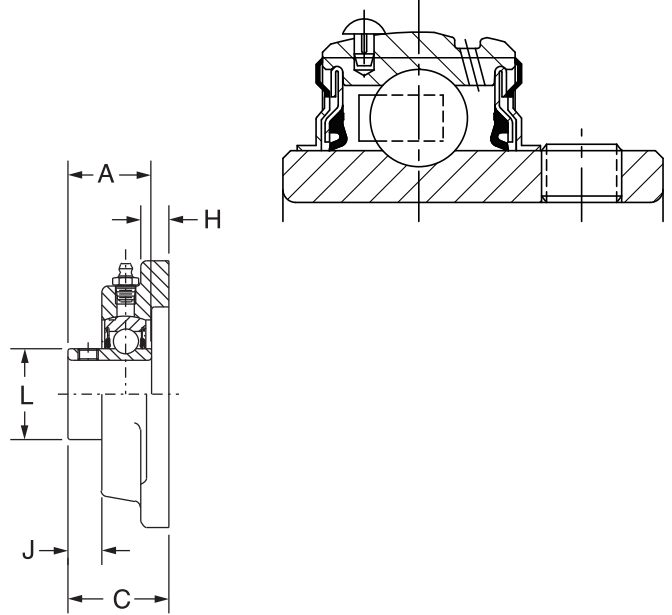
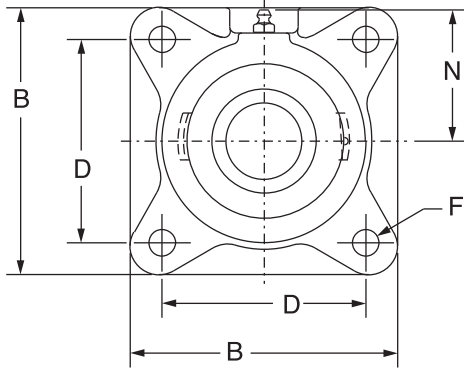
FEATURES/BENEFITS PAGE B4-3	HOW TO ORDER/NOMENCLATURE PAGE B4-5	SELECTION PAGE B4-6	ACCESSORIES PAGE B4-98
--------------------------------	--	------------------------	---------------------------



SELECTION/DIMENSIONS

Setscrew Ball Bearings SC NORMAL DUTY 4-BOLT FLANGE BEARINGS

Lube Fitting Thread Size:
 203 - 204 series - 1/4-28 tapered thread
 207 - 207 series - 1/8-27 NPT



Series	Shaft Size	Standard		No-Lube/Sealed for Life (-NL)	
		Part No.	Description	Part No.	Description
208	1-1/2	124209	F4B-SC-108	051991	F4B-SC-108-NL
	1-5/8	124210	F4B-SC-110	052008	F4B-SC-110-NL
	40mm	125890	F4B-SC-40M	073769	F4B-SC-40M-NL
209	1-5/8	125170	F4B-SC-110L	@	F4B-SC-110L-NL
	1-11/16	124211	F4B-SC-111	064214	F4B-SC-111-NL
	1-3/4	124212	F4B-SC-112	126531	F4B-SC-112-NL
	45mm	125891	F4B-SC-45M	@	F4B-SC-45M-NL
210	1-15/16	124213	F4B-SC-115	051992	F4B-SC-115-NL
	2	124214	F4B-SC-200	050867	F4B-SC-200-NL
	50mm	125892	F4B-SC-50M	068571	F4B-SC-50M-NL
211	2	126192	F4B-SCM-200	052004	F4B-SCM-200-NL
	2-3/16	124215	F4B-SC-203	052007	F4B-SC-203-NL
	2-1/4	124216	F4B-SC-204	052006	F4B-SC-204-NL
	55mm	125893	F4B-SC-55M	068572	F4B-SC-55M-NL
212	2-1/4	126283	F4B-SCM-204	126537	F4B-SCM-204-NL
	2-7/16	124217	F4B-SC-207	050843	F4B-SC-207-NL
	60mm	125894	F4B-SC-60M	064203	F4B-SC-60M-NL
214	2-1/2	126195	F4B-SCM-208	@	F4B-SCM-208-NL
	2-11/16	124261	F4B-SC-211	@	F4B-SC-211-NL
	70mm	125895	F4B-SC-70M	@	F4B-SC-70M-NL
215	2-15/16	124220	F4B-SC-215	052291	F4B-SC-215-NL
	75mm	125896	F4B-SC-75M	068573	F4B-SC-75M-NL

@ Assembled to order

FEATURES/BENEFITS PAGE B4-3	HOW TO ORDER/NOMENCLATURE PAGE B4-5	SELECTION PAGE B4-6	ACCESSORIES PAGE B4-98
--------------------------------	--	------------------------	---------------------------

SELECTION/DIMENSIONS



Setscrew Ball Bearings SC NORMAL DUTY 4-BOLT FLANGE BEARINGS

Bearing Reference Guide

ULTRA KLEEN

E-Z KLEEN

Extreme Duty

Setscrew Ball Bearing

GRIP TIGHT

D-LOK Ball Bearing

Series	Shaft Size	Weight lbs. kgs.	A	B	C	D	F Bolt Dia	H	J	L	N
208	1-1/2	4.8	1.94	5.13	1.98	4.00	1/2	0.56	0.63	2.05	2.38
	1-5/8	4.7									
	40mm	2.1	49.3	130.3	50.3	101.6	M12	14.2	16.0	52.1	60.5
209	1-5/8	6.1	1.94	5.38	1.99	4.13	1/2	0.63	0.59	2.22	2.75
	1-11/16	6.0									
	1-3/4 45mm	5.9 2.7	49.3	136.7	50.5	104.8	M12	16.0	15.0	56.4	69.9
210	1-15/16	6.7	1.94	5.63	2.02	4.38	1/2	0.63	0.55	2.43	2.88
	2	6.6									
	50mm	3.0	49.3	143.0	51.3	111.1	M12	16.0	14.0	61.7	73.2
211	2	9.3	2.22	6.50	2.28	5.13	5/8	0.69	0.68	2.71	3.25
	2-3/16	9.0									
	2-1/4 55mm	8.9 4.1	56.4	165.1	57.9	130.2	M16	17.5	17.3	68.8	82.6
212	2-1/4	11.1	2.31	6.88	2.38	5.63	5/8	0.69	0.66	2.97	3.50
	2-7/16	10.6									
	60mm	6.0	58.7	174.8	60.5	142.9	M16	17.5	16.8	75.4	88.9
214	2-1/2	16.0	2.54	7.38	2.78	5.88	5/8	0.69	0.60	3.31	3.69
	2-11/16	15.4									
	70mm	6.9	64.5	187.5	70.6	149.2	M16	17.5	15.2	84.1	93.7
215	2-15/16	17.6	2.33	7.75	2.88	6.00	3/4	1.00	0.63	3.62	3.88
	75mm	8.0	59.2	196.9	73.2	152.4	M18	25.4	16.0	91.9	98.6

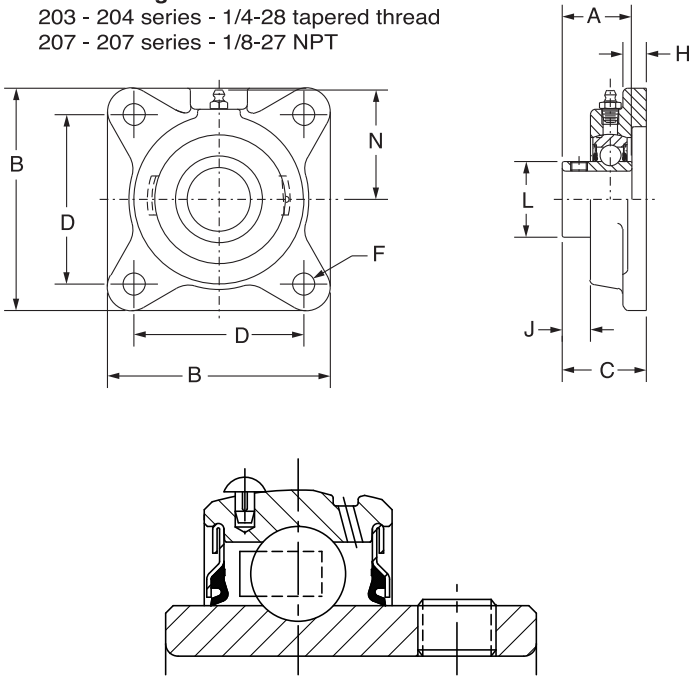
FEATURES/BENEFITS PAGE B4-3	HOW TO ORDER/NOMENCLATURE PAGE B4-5	SELECTION PAGE B4-6	ACCESSORIES PAGE B4-98
--------------------------------	--	------------------------	---------------------------



SELECTION/DIMENSIONS

Setscrew Ball Bearings SCAH NORMAL DUTY AIR HANDLING 4-BOLT FLANGE BEARINGS

Lube Fitting Thread Size:
203 - 204 series - 1/4-28 tapered thread
207 - 207 series - 1/8-27 NPT



Series	Shaft Size	Part No.	Description
204	1/2	051931	F4B-SCAH-008L
	5/8	050130	F4B-SCAH-010L
	3/4	123740	F4B-SCAH-012
	20mm	@	F4B-SCAH-20M
205	7/8	068301	F4B-SCAH-014
	15/16	124246	F4B-SCAH-015
	1	123741	F4B-SCAH-100
	25mm	058736	F4B-SCAH-25M
206	1-1/16	@	F4B-SCAH-101
	1-1/8	064335	F4B-SCAH-102
	1-3/16	123742	F4B-SCAH-103
	1-1/4	076609	F4B-SCAH-104S
207	30mm	054726	F4B-SCAH-30M
	1-1/4	123743	F4B-SCAH-104
	1-5/16	@	F4B-SCAH-105
	1-3/8	068785	F4B-SCAH-106
208	1-7/16	123744	F4B-SCAH-107
	35mm	064911	F4B-SCAH-35M
	1-1/2	123745	F4B-SCAH-108
	1-5/8	@	F4B-SCAH-110
	40mm	064912	F4B-SCAH-40M

@ Assembled to order

Series	Shaft Size	Weight lbs. kgs.	A	B	C	D	F Bolt Dia.	H	J	L	N
204	1/2	1.8	1.23	3.38	1.34	2.50	3/8	0.44	0.36	1.12	1.94
	5/8	1.7									
	3/4	1.6									
	20mm	0.8	31.2	85.9	34.0	63.5	M10	11.2	9.1	28.4	49.3
205	7/8	2.0	1.34	3.75	1.37	2.75	7/16	0.50	0.42	1.32	2.06
	15/16	1.9									
	1	1.8									
	25mm	0.9	34.0	95.3	34.8	69.9	M10	12.7	10.7	33.5	52.3
206	1-1/16	2.9	1.52	4.25	1.56	3.25	7/16	0.50	0.49	1.57	2.19
	1-1/8	2.8									
	1-3/16	2.7									
	1-1/4	2.6									
207	30mm	1.3	38.6	108.0	39.6	82.6	M10	12.7	12.4	39.9	55.6
	1-1/4	4.0	1.71	4.75	1.75	3.63	1/2	0.56	0.53	1.84	2.44
	1-5/16	3.9									
	1-3/8	3.8									
208	1-7/16	3.7									
	35mm	1.7	43.4	120.7	44.5	92.1	M12	14.2	13.5	46.7	62.0
	1-1/2	4.8	1.94	5.13	1.98	4.00	1/2	0.56	0.63	2.05	2.38
	1-5/8	4.7									
	40mm	2.1	49.3	130.3	50.3	101.6	M12	14.2	16.0	52.1	60.5

SELECTION/DIMENSIONS

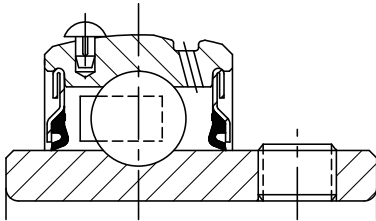
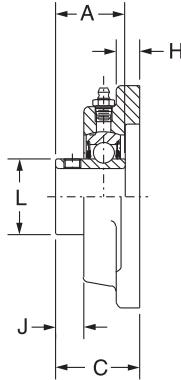
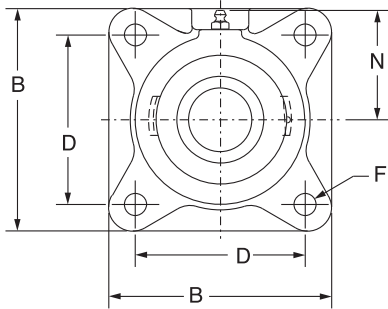


Setscrew Ball Bearings SCAH NORMAL DUTY AIR HANDLING 4-BOLT FLANGE BEARINGS

Lube Fitting Thread Size:

203 - 204 series - 1/4-28 tapered thread

207 - 207 series - 1/8-27 NPT



Series	Shaft Size	Part No.	Description
209	1-5/8	@	F4B-SCAH-110L
	1-11/16	123746	F4B-SCAH-111
	1-3/4	123747	F4B-SCAH-112
	45mm	@	F4B-SCAH-45M
210	1-15/16	123748	F4B-SCAH-115
	2	064853	F4B-SCAH-200
	50mm	064913	F4B-SCAH-50M
211	2	068973	F4B-SCMAH-200
	2-3/16	123749	F4B-SCAH-203
	2-1/4	@	F4B-SCAH-204
	55mm	@	F4B-SCAH-55M
212	2-1/4	064586	F4B-SCMAH-204
	2-7/16	123750	F4B-SCAH-207
	60mm	074008	F4B-SCAH-60M
214	2-1/2	050662	F4B-SCMAH-208
	2-11/16	124395	F4B-SCAH-211
	70mm	@	F4B-SCAH-70M
215	2-15/16	123751	F4B-SCAH-215
	75mm	@	F4B-SCAH-75M

@ Assembled to order

Series	Shaft Size	Weight lbs. kgs.	A	B	C	D	F Bolt Dia.	H	J	L	N
209	1-5/8	6.1	1.94	5.38	1.99	4.13	1/2	0.63	0.59	2.22	2.75
	1-11/16	6.0									
	1-3/4	5.9									
	45mm	2.7	49.3	136.7	50.5	104.8	M14	16.0	15.0	56.4	69.9
210	1-15/16	6.7	1.94	5.63	2.02	4.38	1/2	0.63	0.55	2.43	2.88
	2	6.6									
	50mm	3.0	49.3	143.0	51.3	111.1	M16	16.0	14.0	61.7	73.2
211	2	9.3	2.22	6.50	2.28	5.13	5/8	0.69	0.68	2.71	3.25
	2-3/16	9.0									
	2-1/4	8.9									
	55mm	4.1	56.4	165.1	57.9	130.2	M16	17.5	17.3	68.8	82.6
212	2-1/4	11.1	2.31	6.88	2.38	5.63	5/8	0.69	0.66	2.97	3.50
	2-7/16	10.6									
	60mm	6.0	58.7	174.8	60.5	142.9	M16	17.5	16.8	75.4	88.9
214	2-1/2	16.0	2.54	7.38	2.78	5.88	5/8	0.69	0.60	3.31	3.69
	2-11/16	15.4									
	70mm	6.9	64.5	187.5	70.6	149.2	M16	17.5	15.2	84.1	93.7
215	2-15/16	17.6	2.33	7.75	2.88	6.00	3/4	1.00	0.63	3.62	3.88
	75mm	8.0	59.2	196.9	73.2	152.4	M18	25.4	16.0	91.9	98.6

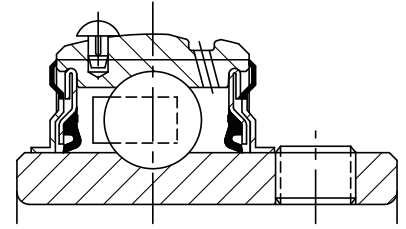
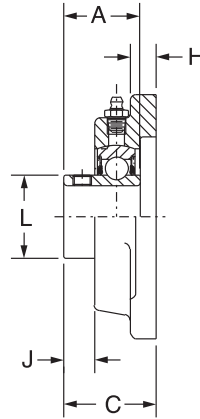
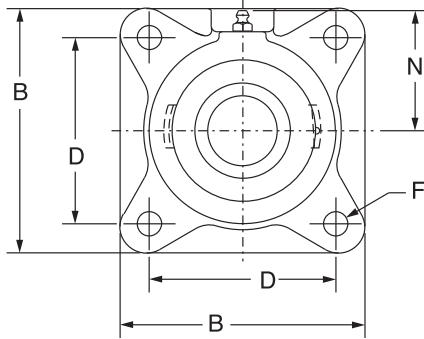
FEATURES/BENEFITS PAGE B4-3	HOW TO ORDER/NOMENCLATURE PAGE B4-5	SELECTION PAGE B4-6	ACCESSORIES PAGE B4-98
--------------------------------	--	------------------------	---------------------------

SELECTION/DIMENSIONS



Setscrew Ball Bearings SCM MEDIUM DUTY 4-BOLT FLANGE BEARINGS

Lube Fitting Thread Size:
203 - 204 series - 1/4-28 tapered thread
207 - 207 series - 1/8-27 NPT



Series	Shaft Size	Standard		No-Lube/Sealed for Life (-NL)	
		Part No.	Description	Part No.	Description
206	1	126226	F4B-SCM-100	052017	F4B-SCM-100-NL
	25mm	125965	F4B-SCM-25M	@	F4B-SCM-25M-NL
207	1-3/16	126227	F4B-SCM-103	056907	F4B-SCM-103-NL
	1-1/4	124206	F4B-SC-104	126528	F4B-SC-104-NL
	30mm	125966	F4B-SCM-30M	@	F4B-SCM-30M-NL
208	1-7/16	126187	F4B-SCM-107	062842	F4B-SCM-107-NL
	35mm	125967	F4B-SCM-35M	@	F4B-SCM-35M-NL
209	1-1/2	126188	F4B-SCM-108	062897	F4B-SCM-108-NL
	1-5/8	125170	F4B-SC-110L	@	F4B-SC-110L-NL
	40mm	125968	F4B-SCM-40M	@	F4B-SCM-40M-NL
210	1-11/16	126189	F4B-SCM-111	065576	F4B-SCM-111-NL
	1-3/4	126190	F4B-SCM-112	@	F4B-SCM-112-NL
	45mm	125969	F4B-SCM-45M	@	F4B-SCM-45M-NL
211	1-15/16	126191	F4B-SCM-115	052302	F4B-SCM-115-NL
	2	126192	F4B-SCM-200	052004	F4B-SCM-200-NL
	50mm	125970	F4B-SCM-50M	073950	F4B-SCM-50M-NL
212	2-3/16	126193	F4B-SCM-203	052003	F4B-SCM-203-NL
	2-1/4	126283	F4B-SCM-204	126537	F4B-SCM-204-NL
	55mm	125971	F4B-SCM-55M	@	F4B-SCM-55M-NL
214	2-7/16	126194	F4B-SCM-207	052002	F4B-SCM-207-NL
	2-1/2	126195	F4B-SCM-208	065653	F4B-SCM-208-NL
	65mm	125972	F4B-SCM-65M	@	F4B-SCM-65M-NL
215	2-11/16	126186	F4B-SCM-211	052205	F4B-SCM-211-NL
	70mm	125973	F4B-SCM-70M	@	F4B-SCM-70M-NL
216	2-15/16	126196	F4B-SCM-215	126538	F4B-SCM-215-NL
	3	126197	F4B-SCM-300	126539	F4B-SCM-300-NL
	75mm	125974	F4B-SCM-75M	@	F4B-SCM-75M-NL
218	3-7/16	126198	F4B-SCM-307	126540	F4B-SCM-307-NL
	3-1/2	126199	F4B-SCM-308	126541	F4B-SCM-308-NL
	85mm	125975	F4B-SCM-85M	@	F4B-SCM-85M-NL

@ Assembled to order

FEATURES/BENEFITS PAGE B4-3	HOW TO ORDER/NOMENCLATURE PAGE B4-5	SELECTION PAGE B4-6	ACCESSORIES PAGE B4-98
--------------------------------	--	------------------------	---------------------------

SELECTION/DIMENSIONS



Setscrew Ball Bearings SCM MEDIUM DUTY 4-BOLT FLANGE BEARINGS

Bearing Reference Guide

ULTRA KLEEN

E-Z KLEEN

Extreme Duty

Setscrew Ball Bearing

GRIP TIGHT

D-LOK Ball Bearing

Series	Shaft Size	Weight lbs. kgs.	A	B	C	D	F	H	J	L	N
206	1	3.0	1.52	4.25	1.56	3.25	7/16	0.50	0.49	1.57	2.19
	25mm	1.3	38.6	108.0	39.6	82.6	M10	12.7	12.4	39.9	55.6
207	1-3/16	4.1	1.71	4.75	1.75	3.63	1/2	0.56	0.53	1.84	2.44
	1-1/4 30mm	4.0 1.4	43.4	120.7	44.5	92.1	M12	14.2	13.5	46.7	62.0
208	1-7/16	5.0	1.94	5.13	1.98	4.00	1/2	0.56	0.63	2.05	2.38
	35mm	2.1	49.3	130.3	50.3	101.6	M12	14.2	16.0	52.1	60.5
209	1-1/2	6.1	1.94	5.38	1.99	4.13	1/2	0.63	0.59	2.22	2.75
	1-5/8 40mm	6.1 2.7	49.3	136.7	50.5	104.8	M12	16.0	15.0	56.4	69.9
210	1-11/16	7.1	1.94	5.63	2.02	4.38	1/2	0.63	0.55	2.43	2.88
	1-3/4 45mm	6.9 3.0	49.3	143.0	51.3	111.1	M12	16.0	14.0	61.7	73.2
211	1-15/16	9.5	2.22	6.50	2.28	5.13	5/8	0.69	0.68	2.71	3.25
	2 50mm	9.3 4.1	56.4	165.1	57.9	130.2	M16	17.5	17.3	68.8	82.6
212	2-3/16	11.3	2.31	6.88	2.38	5.63	5/8	0.69	0.66	2.97	3.50
	2-1/4 55mm	11.1 6.0	58.7	174.8	60.5	142.9	M16	17.5	16.8	75.4	88.9
214	2-7/16	16.2	2.54	7.38	2.78	5.88	5/8	0.69	0.60	3.31	3.69
	2-1/2 65mm	16.0 7.3	64.5	187.5	70.6	149.2	M16	17.5	15.2	84.1	93.7
215	2-11/16	18.3	2.33	7.75	2.88	6.00	3/4	1.00	0.63	3.62	3.88
	70mm	8.0	59.2	196.9	73.2	152.4	M18	25.4	16.0	91.9	98.6
216	2-15/16	21.5	2.38	7.75	3.09	6.00	3/4	0.88	0.59	3.83	4.09
	3 75mm	21.2 9.4	60.5	196.9	78.5	152.4	M18	22.4	15.0	97.3	103.9
218	3-7/16	28.0	2.56	8.44	3.38	6.75	3/4	1.00	0.60	4.35	4.63
	3-1/2 85mm	27.4 12.2	65.0	214.4	85.9	171.5	M18	25.4	15.2	110.5	117.6

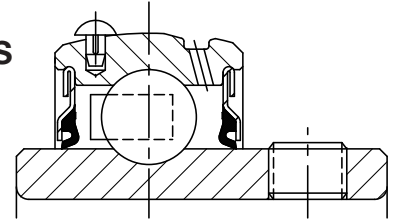
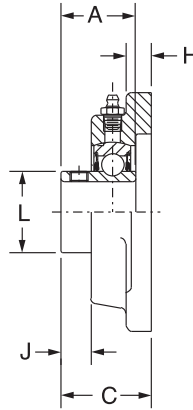
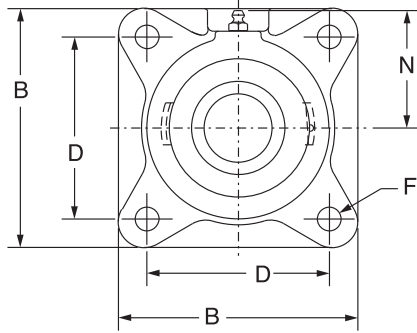
FEATURES/BENEFITS PAGE B4-3	HOW TO ORDER/NOMENCLATURE PAGE B4-5	SELECTION PAGE B4-6	ACCESSORIES PAGE B4-98
--------------------------------	--	------------------------	---------------------------

SELECTION/DIMENSIONS



Setscrew Ball Bearings SCMAH AIR HANDLING MEDIUM DUTY 4-BOLT FLANGE BEARINGS

Lube Fitting Thread Size:
203 - 204 series - 1/4-28 tapered thread
207 - 207 series - 1/8-27 NPT



Series	Shaft Size	Part No.	Description
206	1	053901	F4B-SCMAH-100
	25mm	@	F4B-SCMAH-25M
207	1-3/16	050132	F4B-SCMAH-103
	1-1/4	123743	F4B-SCAH-104
	30mm	@	F4B-SCMAH-30M
208	1-7/16	123760	F4B-SCMAH-107
	35mm	@	F4B-SCMAH-35M
209	1-1/2	123761	F4B-SCMAH-108
	1-5/8	@	F4B-SCAH-110L
	40mm	@	F4B-SCMAH-40M
210	1-11/16	123762	F4B-SCMAH-111
	1-3/4	123763	F4B-SCMAH-112
	45mm	067829	F4B-SCMAH-45M
211	1-15/16	123764	F4B-SCMAH-115
	2	068973	F4B-SCMAH-200
212	50mm	075020	F4B-SCMAH-50M
	2-3/16	123765	F4B-SCMAH-203
214	2-1/4	064586	F4B-SCMAH-204
	55mm	@	F4B-SCMAH-55M
215	2-7/16	123766	F4B-SCMAH-207
	2-1/2	050662	F4B-SCMAH-208
216	65mm	@	F4B-SCMAH-65M
	2-11/16	123767	F4B-SCMAH-211
218	70mm	@	F4B-SCMAH-70M
	2-15/16	123768	F4B-SCMAH-215
216	3	073911	F4B-SCMAH-300
	75mm	@	F4B-SCM-75M
218	3-7/16	123769	F4B-SCMAH-307
	3-1/2	057709	F4B-SCMAH-308
	85mm	@	F4B-SCMAH-85M

@ Assembled to order

FEATURES/BENEFITS PAGE B4-3	HOW TO ORDER/NOMENCLATURE PAGE B4-5	SELECTION PAGE B4-6	ACCESSORIES PAGE B4-98
--------------------------------	--	------------------------	---------------------------

SELECTION/DIMENSIONS



Setscrew Ball Bearings SCMAH AIR HANDLING MEDIUM DUTY 4-BOLT FLANGE BEARINGS

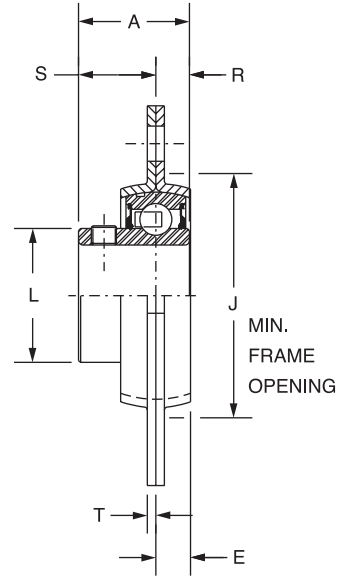
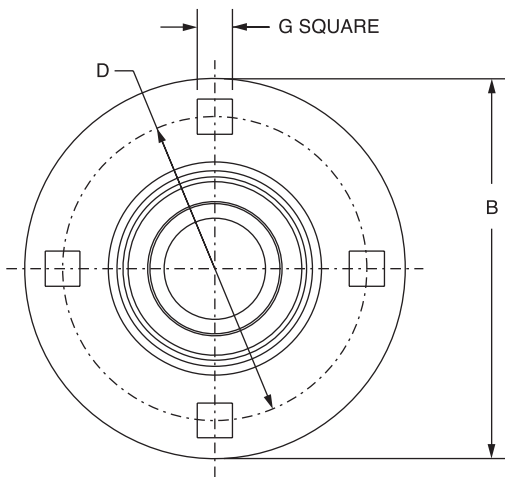
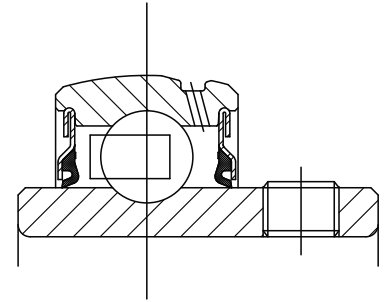
Series	Shaft Size	Weight lbs. kgs.	A	B	C	D	F Bolt Dia.	H	J	L	N
206	1	3.0	1.52	4.25	1.56	3.25	7/16	0.50	0.49	1.57	2.19
	25mm	1.3	38.6	108.0	39.6	82.6	M10	12.7	12.4	39.9	55.6
207	1-3/16	4.1	1.71	4.75	1.75	3.63	1/2	0.56	0.53	1.84	2.44
	1-1/4 30mm	1.7	43.4	120.7	44.5	92.1	M12	14.2	13.5	46.7	62.0
208	1-7/16	5.0	1.94	5.13	1.98	4.00	1/2	0.56	0.63	2.05	2.38
	35mm	2.1	49.3	130.3	50.3	101.6	M12	14.2	16.0	52.1	60.5
209	1-1/2	6.1	1.94	5.38	1.99	4.13	1/2	0.63	0.59	2.22	2.75
	1-5/8 40mm	2.7	49.3	136.7	50.5	104.8	M14	16.0	15.0	56.4	69.9
210	1-11/16	7.1	1.94	5.63	2.02	4.38	1/2	0.63	0.55	2.43	2.88
	1-3/4 45mm	3.0	49.3	143.0	51.3	111.1	M16	16.0	14.0	61.7	73.2
211	1-15/16	9.5	2.22	6.50	2.28	5.13	5/8	0.69	0.68	2.71	3.25
	2 50mm	4.1	56.4	165.1	57.9	130.2	M16	17.5	17.3	68.8	82.6
212	2-3/16	11.3	2.31	6.88	2.38	5.63	5/8	0.69	0.66	2.97	3.50
	2-1/4 55mm	6.0	58.7	174.8	60.5	142.9	M16	17.5	16.8	75.4	88.9
214	2-7/16	16.2	2.54	7.38	2.78	5.88	5/8	0.69	0.60	3.31	3.69
	2-1/2 65mm	7.3	64.5	187.5	70.6	149.2	M16	17.5	15.2	84.1	93.7
215	2-11/16	18.3	2.33	7.75	2.88	6.00	3/4	1.00	0.63	3.62	3.88
	70mm	8.0	59.2	196.9	73.2	152.4	M18	25.4	16.0	91.9	98.6
216	2-15/16	21.5	2.38	7.75	3.09	6.00	3/4	0.88	0.59	3.83	4.09
	3 75mm	9.4	60.5	196.9	78.5	152.4	M18	22.4	15.0	97.3	103.9
218	3-7/16	28.0	2.56	8.44	3.38	6.75	3/4	1.00	0.60	4.35	4.63
	3-1/2 85mm	12.2	65.0	214.4	85.9	171.5	M18	25.4	15.2	110.5	117.6

FEATURES/BENEFITS PAGE B4-3	HOW TO ORDER/NOMENCLATURE PAGE B4-5	SELECTION PAGE B4-6	ACCESSORIES PAGE B4-98
--------------------------------	--	------------------------	---------------------------

SELECTION/DIMENSIONS



Setscrew Ball Bearings SL LIGHT DUTY 4-BOLT FLANGE BEARINGS



Series	Shaft Size	Part No.	Description
208	1-1/2	128088	F4B-SL-108
	40mm	067868	F4B-SL-40M
210	1-15/16	128089	F4B-SL-115
	2	128090	F4B-SL-200
	50mm	@	F4B-SL-50M
211	2	128182	F4B-SL-200L
	2-3/16	128091	F4B-SL-203
	55mm	@	F4B-SL-55M

@ Assembled to order

FEATURES/BENEFITS PAGE B4-3	HOW TO ORDER/NOMENCLATURE PAGE B4-5	SELECTION PAGE B4-6	ACCESSORIES PAGE B4-98
--------------------------------	--	------------------------	---------------------------

SELECTION/DIMENSIONS



Setscrew Ball Bearings SL LIGHT DUTY 4-BOLT FLANGE BEARINGS

Bearing Reference Guide

ULTRA KLEEN

E-Z KLEEN

Extreme Duty

Setscrew Ball Bearing

GRIP TIGHT

D-LOK Ball Bearing

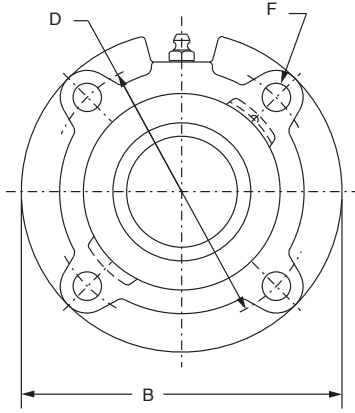
Series	Shaft Size	Weight lbs. kgs.	A	B	D	E	G	J	L	R	S	T
208	1-1/2	2.64	1.94	5.81	4.69	0.41	0.53	3.56	2.05	0.75	1.19	0.13
	40mm	1.15	49.3	147.6	119.1	10.4	13.5	90.4	52.1	19.1	30.2	3.3
210	1-15/16	2.95	1.94	6.13	5.00	0.44	0.53	4.00	2.43	0.75	1.19	0.15
	2 50mm	2.86 1.28	49.3	155.7	127.0	11.2	13.5	101.6	61.7	19.1	30.2	3.8
211	2	3.73	2.22	6.56	5.44	0.47	0.53	4.44	2.71	0.87	1.35	0.15
	2-3/16 55mm	3.63 1.62	56.4	166.6	138.2	11.9	13.5	112.8	68.8	22.1	34.3	3.8

FEATURES/BENEFITS PAGE B4-3	HOW TO ORDER/NOMENCLATURE PAGE B4-5	SELECTION PAGE B4-6	ACCESSORIES PAGE B4-98
--------------------------------	--	------------------------	---------------------------

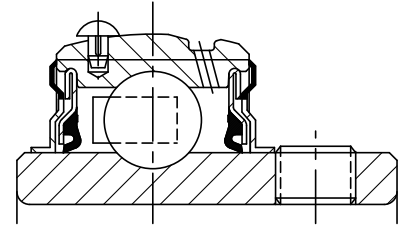
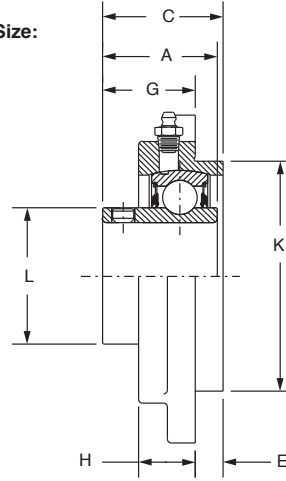


SELECTION/DIMENSIONS

Setscrew Ball Bearings SC NORMAL DUTY PILOTED FLANGE BEARINGS



Lube Fitting Thread Size:
1/8-27 NPT



Series	Shaft Size	Part No.	Description
206	1-1/16	124578	FC-SC-101
	1-1/8	124582	FC-SC-102
	1-3/16	124579	FC-SC-103
	1-1/4	124587	FC-SC-104S
	30mm	125865	FC-SC-30M
207	1-1/4	124224	FC-SC-104
	1-5/16	124237	FC-SC-105
	1-3/8	124235	FC-SC-106
	1-7/16	124236	FC-SC-107
	35mm	125866	FC-SC-35M
208	1-1/2	124225	FC-SC-108
	1-5/8	124226	FC-SC-110
	40mm	125867	FC-SC-40M
209	1-5/8	065644	FC-SC-110L
	1-11/16	124227	FC-SC-111
	1-3/4	124228	FC-SC-112
210	45mm	125868	FC-SC-45M
	1-15/16	124229	FC-SC-115
	2	124230	FC-SC-200
211	50mm	125869	FC-SC-50M
	2	126175	FC-SCM-200
	2-3/16	124231	FC-SC-203
	2-1/4	124232	FC-SC-204
212	55mm	125870	FC-SC-55M
	2-1/4	126177	FC-SCM-204
	2-7/16	124233	FC-SC-207
	60mm	125871	FC-SC-60M
214	2-1/2	126179	FC-SCM-208
	2-11/16	124729	FC-SC-211
	70mm	125872	FC-SC-70M

@ Assembled to order

SELECTION/DIMENSIONS



Setscrew Ball Bearings SC NORMAL DUTY PILOTED FLANGE BEARINGS

Bearing Reference Guide

ULTRA KLEEN

E-Z KLEEN

Extreme Duty

Setscrew Ball Bearing

GRIP TIGHT

D-LOK Ball Bearing

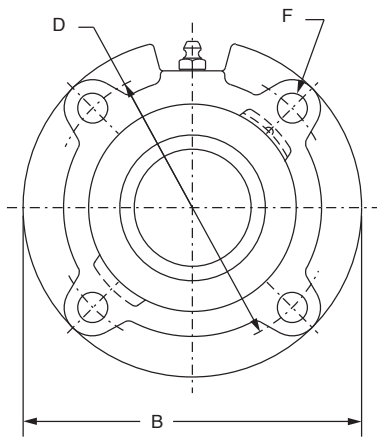
Series	Shaft Size	Weight lbs. kgs.	A	B	C	D	E	F Bolt Dia.	G	H	K	L
206	1-1/16	3.2	1.52	4.38	1.53	3.63	0.25	3/8	1.28	0.81	3.000/2.998	1.57
	1-1/8	3.1										
	1-3/16	3.0										
	1-1/4	2.9										
	30mm	1.3	38.6	111.3	38.9	92.2	6.4	M10	32.5	20.6	76.20/76.15	39.9
207	1-1/4	4.2	1.71	5.00	1.78	4.13	0.38	3/8	1.40	0.84	3.375/3.373	1.84
	1-5/16	4.1										
	1-3/8	4.0										
	1-7/16	3.9										
	35mm	1.8	43.4	127.0	45.2	104.9	9.7	M10	35.6	21.3	85.73/85.67	46.7
208	1-1/2	4.6	1.94	5.25	1.98	4.38	0.44	7/16	1.54	0.89	3.625/3.623	2.05
	1-5/8	4.5										
	40mm	2.0	49.3	133.4	50.3	111.3	11.2	M12	39.1	22.6	92.08/92.02	52.1
209	1-5/8	5.6	1.94	5.75	1.95	4.75	0.44	1/2	1.51	0.91	4.000/3.998	2.22
	1-11/16	5.5										
	1-3/4	5.4										
	45mm	2.4	49.3	146.1	49.5	120.7	11.2	M12	38.4	23.1	101.60/101.55	56.4
210	1-15/16	6.4	1.94	6.13	1.98	5.13	0.47	1/2	1.51	0.92	4.250/4.248	2.43
	2	6.3										
	50mm	2.9	49.3	155.7	50.3	130.3	11.9	M12	38.4	23.4	107.95/107.90	61.7
211	2	7.3	2.22	6.38	2.35	5.38	0.63	1/2	1.72	1.00	4.500/4.498	2.71
	2-3/16	7.2										
	2-1/4	7.1										
	55mm	3.3	56.4	162.1	59.7	136.7	16.0	M12	43.7	25.4	114.30/114.25	68.8
212	2-1/4	9.6	2.31	7.13	2.54	6.00	0.88	1/2	1.67	1.00	5.000/4.998	2.97
	2-7/16	9.5										
	60mm	4.3	58.7	181.1	64.5	152.4	22.4	M12	42.4	25.4	127.00/126.95	75.4
214	2-1/2	13.0	2.54	7.63	2.80	6.50	1.13	1/2	1.67	1.06	5.500/5.498	3.31
	2-11/16	12.9										
	70mm	5.5	64.5	193.8	71.1	165.1	28.7	M12	42.4	26.9	139.70/139.65	84.1

FEATURES/BENEFITS PAGE B4-3	HOW TO ORDER/NOMENCLATURE PAGE B4-5	SELECTION PAGE B4-6	ACCESSORIES PAGE B4-98
--------------------------------	--	------------------------	---------------------------

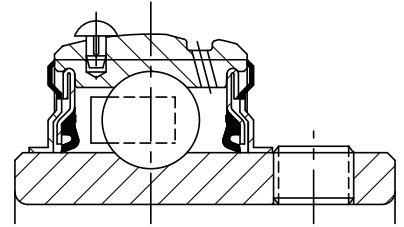
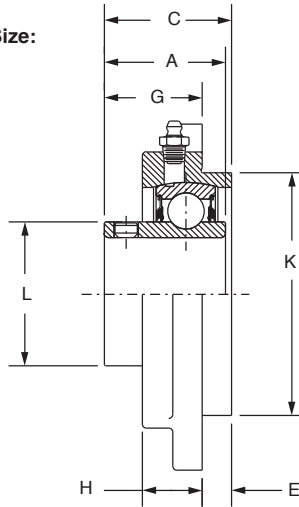


SELECTION/DIMENSIONS

Setscrew Ball Bearings SCM MEDIUM DUTY PILOTED FLANGE BEARINGS



Lube Fitting Thread Size:
1/8-27 NPT



Series	Shaft Size	Part No.	Description
206	1	126167	FC-SCM-100
	25mm	125940	FC-SCM-25M
207	1-3/16	126168	FC-SCM-103
	1-1/4	124224	FC-SC-104
	30mm	125941	FC-SCM-30M
208	1-7/16	126170	FC-SCM-107
	1-1/2	126171	FC-SCM-108
	35mm	125942	FC-SCM-35M
209	1-1/2	056492	FC-SCM-108L
	1-5/8	065644	FC-SC-110L
	40mm	125943	FC-SCM-40M
210	1-11/16	126172	FC-SCM-111
	1-3/4	126173	FC-SCM-112
	45mm	125944	FC-SCM-45M
211	1-15/16	126174	FC-SCM-115
	2	126175	FC-SCM-200
	50mm	125945	FC-SCM-50M
212	2-3/16	126176	FC-SCM-203
	2-1/4	126177	FC-SCM-204
	55mm	125946	FC-SCM-55M
214	2-7/16	126178	FC-SCM-207
	2-1/2	126179	FC-SCM-208
	65mm	125947	FC-SCM-65M
216	2-15/16	126180	FC-SCM-215
	3	126182	FC-SCM-300
	75mm	125948	FC-SCM-75M
218	3-7/16	126183	FC-SCM-307
	3-1/2	126184	FC-SCM-308
	85mm	125949	FC-SCM-85M

© Assembled to order

SELECTION/DIMENSIONS



Setscrew Ball Bearings SCM MEDIUM DUTY PILOTED FLANGE BEARINGS

Bearing Reference Guide

ULTRA KLEEN

E-Z KLEEN

Extreme Duty

Setscrew Ball Bearing

GRIP TIGHT

D-LOK Ball Bearing

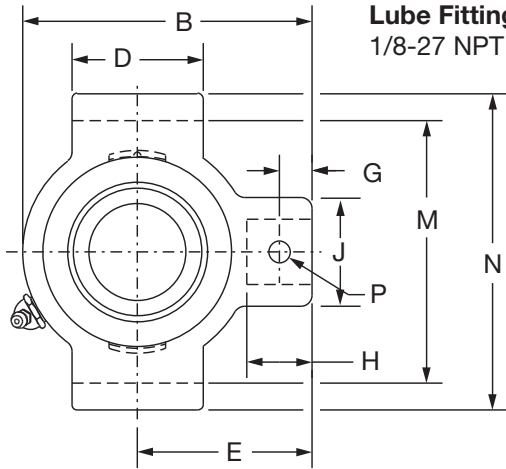
Series	Shaft Size	Weight lbs. kgs.	A	B	C	D	E	F Bolt Dia.	G	H	K	L
206	1	3.3	1.52	4.38	1.53	3.63	0.25	3/8	1.28	0.81	3.000/2.998	1.57
	25mm	1.4	38.6	111.3	38.9	92.2	6.4	M10	32.5	20.6	76.20/76.15	39.9
207	1-3/16	4.2	1.71	5.00	1.78	4.13	0.38	3/8	1.40	0.84	3.375/3.373	1.84
	1-1/4	4.2										
	30mm	1.9	43.4	127.0	45.2	104.9	9.7	M10	35.6	21.3	85.73/85.67	46.7
208	1-7/16	4.8	1.94	5.25	1.98	4.38	0.44	7/16	1.54	0.89	3.625/3.623	2.05
	1-1/2	4.6										
	35mm	2.1	49.3	133.4	50.3	111.3	11.2	M12	39.1	22.6	92.08/92.02	52.1
209	1-1/2	5.6	1.94	5.75	1.95	4.75	0.44	1/2	1.51	0.91	4.000/3.998	2.22
	1-5/8	5.6										
	40mm	2.5	49.3	146.1	49.5	120.7	11.2	M12	38.4	23.1	101.60/101.55	56.4
210	1-11/16	6.4	1.94	6.13	1.98	5.13	0.47	1/2	1.51	0.92	4.250/4.248	2.43
	1-3/4	6.3										
	45mm	2.9	49.3	155.7	50.3	130.3	11.9	M12	38.4	23.4	107.95/107.90	61.7
211	1-15/16	7.6	2.22	6.38	2.35	5.38	0.63	1/2	1.72	1.00	4.500/4.498	2.71
	2	7.4										
	50mm	3.4	56.4	162.1	59.7	136.7	16.0	M12	43.7	25.4	114.30/114.25	68.8
212	2-3/16	9.5	2.31	7.13	2.54	6.00	0.88	1/2	1.67	1.00	5.000/4.998	2.97
	2-1/4	9.8										
	55mm	4.4	58.7	181.1	64.5	152.4	22.4	M12	42.4	25.4	127.00/126.95	75.4
214	2-7/16	13.2	2.54	7.63	2.80	6.50	1.13	1/2	1.67	1.06	5.500/5.498	3.31
	2-1/2	13.0										
	65mm	5.9	64.5	193.8	71.1	165.1	28.7	M12	42.4	26.9	139.70/139.65	84.1
216	2-15/16	18.8	2.38	8.75	3.02	7.50	1.25	5/8	1.77	1.19	6.375/6.373	3.83
	3	18.6										
	75mm	8.5	60.5	222.3	76.7	190.5	31.8	M16	45.0	30.2	161.93/161.87	97.3
218	3-7/16	28.7	2.56	10.25	3.33	8.63	1.13	3/4	2.21	1.63	7.375/7.373	4.35
	3-1/2	28.5										
	85mm	13.5	65.0	260.4	84.6	219.1	28.6	M18	56.1	41.4	187.33/187.27	110.5

FEATURES/BENEFITS PAGE B4-3	HOW TO ORDER/NOMENCLATURE PAGE B4-5	SELECTION PAGE B4-6	ACCESSORIES PAGE B4-98
--------------------------------	--	------------------------	---------------------------

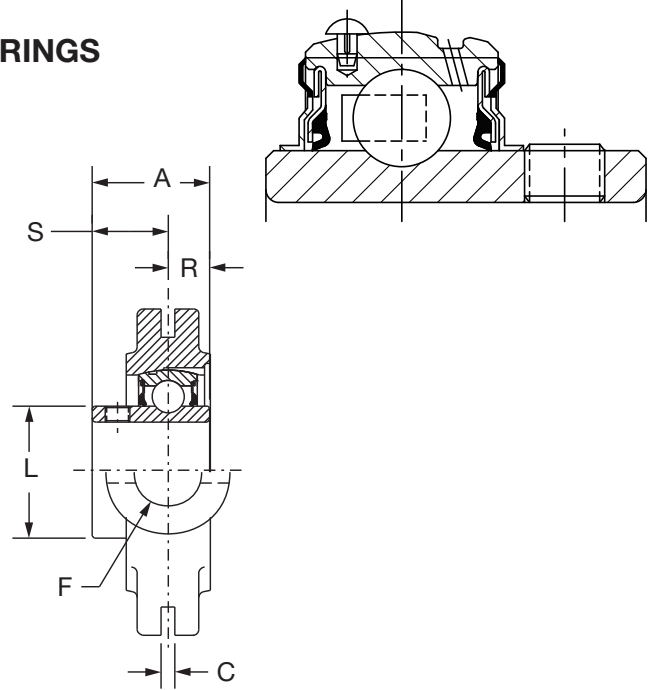
SELECTION/DIMENSIONS



Setscrew Ball Bearings SC NORMAL DUTY NARROW SLOT TAKE-UP BEARINGS



Lube Fitting Thread Size:
1/8-27 NPT



Series	Shaft Size	Standard		No Lube/Sealed for Life (-NL)	
		Part No.	Description	Part No.	Description
204	1/2	125328	NSTU-SC-008	@	NSTU-SC-008-NL
	5/8	125329	NSTU-SC-010	@	NSTU-SC-010-NL
	3/4	125050	NSTU-SC-012	073970	NSTU-SC-012-NL
	20mm	125900	NSTU-SC-20M	@	NSTU-SC-20M-NL
205	7/8	125365	NSTU-SC-014	@	NSTU-SC-014-NL
	15/16	125051	NSTU-SC-015	@	NSTU-SC-015-NL
	1	125052	NSTU-SC-100	125054	NSTU-SC-100-NL
	25mm	125901	NSTU-SC-25M	@	NSTU-SC-25M-NL
206	1-1/16	125366	NSTU-SC-101	@	NSTU-SC-101-NL
	1-1/8	125367	NSTU-SC-102	065642	NSTU-SC-102-NL
	1-3/16	125153	NSTU-SC-103	052194	NSTU-SC-103-NL
	1-1/4	123174	NSTU-SC-104S	@	NSTU-SC-104S-NL
207	30mm	125902	NSTU-SC-30M	@	NSTU-SC-30M-NL
	1-1/4	125154	NSTU-SC-104	058897	NSTU-SC-104-NL
	1-5/16	125368	NSTU-SC-105	065681	NSTU-SC-105-NL
	1-3/8	125369	NSTU-SC-106	125378	NSTU-SC-106-NL
	1-7/16	125155	NSTU-SC-107	052199	NSTU-SC-107-NL
35mm	125903	NSTU-SC-35M	@	NSTU-SC-35M-NL	

@ Assembled to order
See B15-9 for Take-Up Frames

FEATURES/BENEFITS PAGE B4-3	HOW TO ORDER/NOMENCLATURE PAGE B4-5	SELECTION PAGE B4-6	ACCESSORIES PAGE B4-98
--------------------------------	--	------------------------	---------------------------

SELECTION/DIMENSIONS



Setscrew Ball Bearings SC NORMAL DUTY NARROW SLOT TAKE-UP BEARINGS

Bearing Reference Guide
 ULTRA KLEEN
 E-Z KLEEN
 Extreme Duty
 Setscrew Ball Bearing
 GRIP TIGHT
 D-LOK Ball Bearing

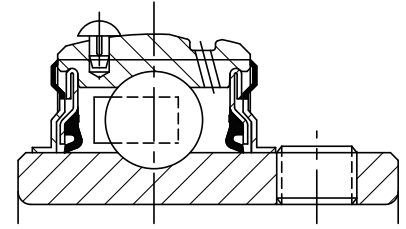
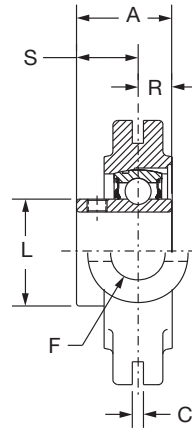
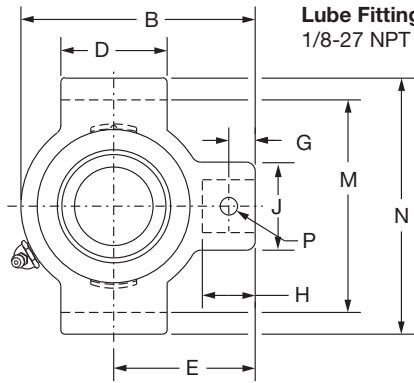
Series	Shaft Size	Weight lbs. kgs.	Take-Up Frame No. Ref.	A	B	C	D	E	F Bolt Dia.	G	H	J	L	M	N	P Pin Dia.	R	S	
204	1/2	1.6	NS210	1.23	3.50	0.250	1.50	2.19	3/4	0.44	0.88	1.38	1.12	2.635/2.605	3.13	0.32	0.50	0.73	
	5/8	1.5		31.2	88.9	6.35	38.1	55.6	19.1	11.2	22.4	35.1	28.4	66.93/66.17	79.5	8.1	12.7	18.5	
	3/4	1.4																	
	20mm	0.8																	
205	7/8	1.7	NS210	1.34	3.56	0.250	1.50	2.19	3/4	0.44	0.88	1.38	1.32	2.635/2.605	3.13	0.32	0.56	0.78	
	15/16	1.6		34.0	90.4	6.35	38.1	55.6	19.1	11.2	22.4	35.1	33.5	66.93/66.17	79.5	8.1	14.2	19.8	
	1	1.5																	
	25mm	0.7																	
206	1-1/16	2.9	NS308	1.52	4.31	0.250	2.50	2.69	3/4	0.50	0.94	1.38	1.57	3.510/3.480	4.13	0.32	0.58	0.94	
	1-1/8	2.8																	
	1-3/16	2.7																	
	1-1/4	2.6																	
	30mm	1.2		38.6	109.5	6.35	63.5	68.3	19.1	12.7	23.9	35.1	39.9	89.15/88.39	104.9	8.1	14.7	23.9	
207	1-1/4	2.8	NS308	1.71	4.50	0.250	2.50	2.69	3/4	0.50	0.94	1.38	1.84	3.510/3.480	4.13	0.32	0.67	1.04	
	1-5/16	2.7																	
	1-3/8	2.6																	
	1-7/16	2.5																	
	35mm	1.2		43.4	114.3	6.35	63.5	68.3	19.1	12.7	23.9	35.1	46.7	89.15/88.39	104.9	8.1	17.0	26.4	

FEATURES/BENEFITS PAGE B4-3	HOW TO ORDER/NOMENCLATURE PAGE B4-5	SELECTION PAGE B4-6	ACCESSORIES PAGE B4-98
--------------------------------	--	------------------------	---------------------------

SELECTION/DIMENSIONS



Setscrew Ball Bearings SC NORMAL DUTY NARROW SLOT TAKE-UP BEARINGS



Series	Shaft Size	Standard		Sealed For Life	
		Part No.	Description	Part No.	Description
208	1-1/2	125156	NSTU-SC-108	@	NSTU-SC-108-NL
	1-5/8	125370	NSTU-SC-110	@	NSTU-SC-110-NL
	40mm	125904	NSTU-SC-40M	@	NSTU-SC-40M-NL
209	1-5/8	065593	NSTU-SC-110L	@	NSTU-SC-110L-NL
	1-11/16	125157	NSTU-SC-111	052939	NSTU-SC-111-NL
	1-3/4	125371	NSTU-SC-112	068184	NSTU-SC-112-NL
	45mm	125905	NSTU-SC-45M	@	NSTU-SC-45M-NL
210	1-15/16	125158	NSTU-SC-115	125159	NSTU-SC-115-NL
	2	125372	NSTU-SC-200	068659	NSTU-SC-200-NL
	50mm	125906	NSTU-SC-50M	@	NSTU-SC-50M-NL
211	2	135171	NSTU-SCM-200	@	NSTU-SCM-200-NL
	2-3/16	125160	NSTU-SC-203	@	NSTU-SC-203-NL
	2-1/4	125373	NSTU-SC-204	@	NSTU-SC-204-NL
	55mm	125907	NSTU-SC-55M	@	NSTU-SC-55M-NL
212	2-1/4	135172	NSTU-SCM-204	126544	NSTU-SCM-204-NL
	2-7/16	125162	NSTU-SC-207	073430	NSTU-SC-207-NL
	60mm	125908	NSTU-SC-60M	@	NSTU-SC-60M-NL

@ Assembled to order
See B15-9 for Take-Up Frames

Series	Shaft Size	Weight lbs. kgs.	Take-Up Frame No. Ref.	A	B	C*	D	E	F Screw Dia	G	H	J	L	M	N	P Pin Dia	R	S
208	1-1/2	4.7	NS400	1.94	5.38	0.313	3.00	3.25	7/8	0.66	1.16	1.63	2.05	4.015/3.985	4.75	0.38	0.75	1.19
	1-5/8	4.6		49.3	136.7	7.95	76.2	82.6	22.2	16.8	29.5	41.4	52.1	101.98/101.22	120.7	9.7	19.1	30.2
	40mm	2.1		49.3	136.7	7.95	76.2	82.6	22.2	16.8	29.5	41.4	52.1	101.98/101.22	120.7	9.7	19.1	30.2
209	1-5/8	4.9	NS400	1.94	5.44	0.313	3.00	3.25	7/8	0.72	1.22	1.63	2.22	4.015/3.985	4.75	0.38	0.75	1.19
	1-11/16	4.8		49.3	138.2	7.95	76.2	82.6	22.2	18.3	31.0	41.4	56.4	101.98/101.22	120.7	9.7	19.1	30.2
	1-3/4	4.7		49.3	138.2	7.95	76.2	82.6	22.2	18.3	31.0	41.4	56.4	101.98/101.22	120.7	9.7	19.1	30.2
	45mm	2.1		49.3	138.2	7.95	76.2	82.6	22.2	18.3	31.0	41.4	56.4	101.98/101.22	120.7	9.7	19.1	30.2
210	1-15/16	4.9	NS400	1.94	5.50	0.313	3.00	3.25	7/8	0.59	1.09	1.63	2.43	4.015/3.985	4.75	0.38	0.75	1.19
	2	4.8		49.3	139.7	7.95	76.2	82.6	22.2	15.0	27.7	41.4	61.7	101.98/101.22	120.7	9.7	19.1	30.2
	50mm	2.2		49.3	139.7	7.95	76.2	82.6	22.2	15.0	27.7	41.4	61.7	101.98/101.22	120.7	9.7	19.1	30.2
211	2	6.8	NS407	2.22	6.13	0.313	3.50	3.63	1	0.69	1.28	1.75	2.71	4.448/4.418	5.38	0.44	0.87	1.35
	2-3/16	6.6		56.4	155.7	7.95	88.9	92.2	25.4	17.5	32.5	44.5	68.8	112.98/112.22	136.7	11.2	22.1	34.3
	2-1/4	6.5		56.4	155.7	7.95	88.9	92.2	25.4	17.5	32.5	44.5	68.8	112.98/112.22	136.7	11.2	22.1	34.3
212	55mm	3.0	NS415	2.31	6.69	0.313	3.75	3.88	1	0.69	1.28	1.63	2.97	4.947/4.917	5.75	0.44	0.90	1.41
	2-1/4	8.7		58.7	169.9	7.95	95.3	98.6	25.4	17.5	32.5	41.4	75.4	125.65/124.89	146.1	11.2	22.9	35.8
	2-7/16	8.4		58.7	169.9	7.95	95.3	98.6	25.4	17.5	32.5	41.4	75.4	125.65/124.89	146.1	11.2	22.9	35.8
	60mm	4.9																

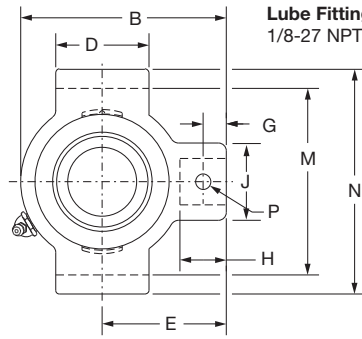
#+.010, -.020" +.25mm, -.50mm

FEATURES/BENEFITS PAGE B4-3	HOW TO ORDER/NOMENCLATURE PAGE B4-5	SELECTION PAGE B4-6	ACCESSORIES PAGE B4-98
--------------------------------	--	------------------------	---------------------------

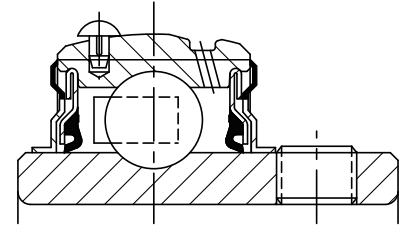
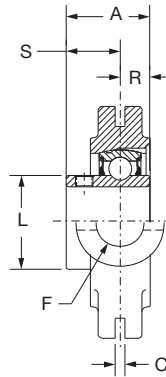
SELECTION/DIMENSIONS



Setscrew Ball Bearings SCM MEDIUM DUTY NARROW SLOT TAKE-UP BEARINGS



Lube Fitting Thread Size:
1/8-27 NPT



Series	Shaft Size	Part No.	Description
206	1	135102	NSTU-SCM-100
	25mm	125980	NSTU-SCM-25M
207	1-3/16	135081	NSTU-SCM-103
	1-1/4	125154	NSTU-SC-104
	30mm	125981	NSTU-SCM-30M
208	1-7/16	135105	NSTU-SCM-107
	35mm	125982	NSTU-SCM-35M
209	1-1/2	135106	NSTU-SCM-108
	1-5/8	065593	NSTU-SC-110L
	40mm	125983	NSTU-SCM-40M
210	1-11/16	135107	NSTU-SCM-111
	1-3/4	135170	NSTU-SCM-112
	45mm	125984	NSTU-SCM-45M
211	1-15/16	135109	NSTU-SCM-115
	2	135171	NSTU-SCM-200
	50mm	125985	NSTU-SCM-50M
212	2-3/16	135111	NSTU-SCM-203
	2-1/4	135172	NSTU-SCM-204
	55mm	125986	NSTU-SCM-55M

@ Assembled to order

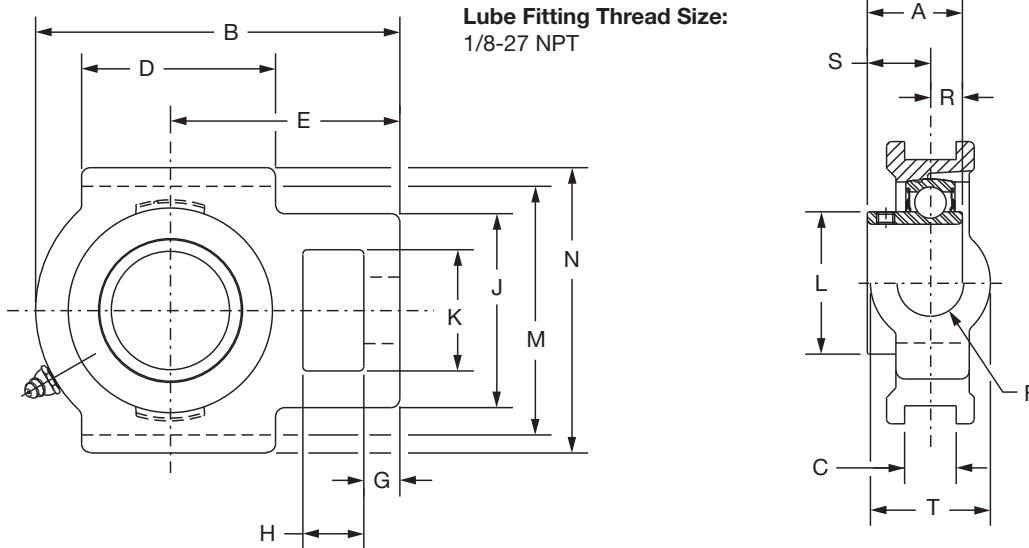
Series	Shaft Size	Weight lbs. kgs.	Take-Up Frame No. Ref	A	B	C	D	E	F Bolt Dia.	G	H	J	L	M	N	P Pin Dia.	R	S
206	1	3.0	NS308	1.52	4.31	0.250	2.50	2.69	3/4	0.50	0.94	1.38	1.57	3.510/3.480	4.13	0.32	0.58	0.94
	25mm	1.2		38.6	109.5	6.35	63.5	68.3	19.1	12.7	23.9	35.1	39.9	89.15/88.39	104.9	8.1	14.7	23.9
207	1-3/16	2.9	NS308	1.71	4.50	0.250	2.50	2.69	3/4	0.50	0.94	1.38	1.84	3.510/3.480	4.13	0.32	0.67	1.04
	1-1/4	2.8		43.4	114.3	6.35	63.5	68.3	19.1	12.7	23.9	35.1	46.7	89.15/88.39	104.9	8.1	17.0	26.4
208	1-7/16	4.7	NS400	1.94	5.38	0.313	3.00	3.25	7/8	0.66	1.16	1.63	2.05	4.015/3.985	4.75	0.38	0.75	1.19
	35mm	2.2		49.3	136.7	7.95	76.2	82.6	22.2	16.8	29.5	41.4	52.1	101.98/101.22	120.7	9.7	19.1	30.2
209	1-1/2	5.0	NS400	1.94	5.44	0.313	3.00	3.25	7/8	0.72	1.22	1.63	2.22	4.015/3.985	4.75	0.38	0.75	1.19
	1-5/8	4.9		49.3	138.2	7.95	76.2	82.6	22.2	18.3	31.0	41.4	56.4	101.98/101.22	120.7	9.7	19.1	30.2
210	1-11/16	5.3	NS400	1.94	5.50	0.313	3.00	3.25	7/8	0.59	1.09	1.63	2.43	4.015/3.985	4.75	0.38	0.75	1.19
	1-3/4	5.2		49.3	139.7	7.95	76.2	82.6	22.2	15.0	27.7	41.4	61.7	101.98/101.22	120.7	9.7	19.1	30.2
211	1-15/16	7.0	NS407	2.22	6.13	0.313	3.50	3.63	1	0.69	1.28	1.75	2.71	4.448/4.418	5.38	0.44	0.87	1.35
	2	6.8		56.4	155.7	7.95	88.9	92.2	25.4	17.5	32.5	44.5	68.8	112.98/112.22	136.7	11.2	22.1	34.3
212	2-3/16	8.9	NS415	2.31	6.69	0.313	3.75	3.88	1	0.69	1.28	1.63	2.97	4.947/4.917	5.75	0.44	0.90	1.41
	2-1/4	8.7		58.7	169.9	7.95	95.3	98.6	25.4	17.5	32.5	41.4	75.4	125.65/124.89	146.1	11.2	22.9	35.8
	55mm	4.0																

FEATURES/BENEFITS PAGE B4-3	HOW TO ORDER/NOMENCLATURE PAGE B4-5	SELECTION PAGE B4-6	ACCESSORIES PAGE B4-98
--------------------------------	--	------------------------	---------------------------

SELECTION/DIMENSIONS



Setscrew Ball Bearings SC NORMAL DUTY WIDE SLOT TAKE-UP BEARINGS



Series	Shaft Size	Standard		No Lube/Sealed for Life (-NL)	
		Part No.	Description	Part No.	Description
204	1/2	125343	WSTU-SC-008	@	WSTU-SC-008-NL
	5/8	125344	WSTU-SC-010	@	WSTU-SC-010-NL
	3/4	125010	WSTU-SC-012	074935	WSTU-SC-012-NL
	20mm	125910	WSTU-SC-20M	@	WSTU-SC-20M-NL
205	7/8	125356	WSTU-SC-014	@	WSTU-SC-014-NL
	15/16	125011	WSTU-SC-015	@	WSTU-SC-015-NL
	1	125012	WSTU-SC-100	@	WSTU-SC-100-NL
	25mm	125911	WSTU-SC-25M	@	WSTU-SC-25M-NL
206	1-1/16	125357	WSTU-SC-101	@	WSTU-SC-101-NL
	1-1/8	125358	WSTU-SC-102	@	WSTU-SC-102-NL
	1-3/16	125113	WSTU-SC-103	@	WSTU-SC-103-NL
	1-1/4	123175	WSTU-SC-104S	@	WSTU-SC-104S-NL
	30mm	125912	WSTU-SC-30M	@	WSTU-SC-30M-NL
207	1-1/4	125360	WSTU-SC-104	073793	WSTU-SC-104-NL
	1-5/16	125359	WSTU-SC-105	@	WSTU-SC-105-NL
	1-3/8	125361	WSTU-SC-106	@	WSTU-SC-106-NL
	1-7/16	125114	WSTU-SC-107	050846	WSTU-SC-107-NL
	35mm	125913	WSTU-SC-35M	@	WSTU-SC-35M-NL
208	1-1/2	125120	WSTU-SC-108	049829	WSTU-SC-108-NL
	1-5/8	125355	WSTU-SC-110	@	WSTU-SC-110-NL
	40mm	125914	WSTU-SC-40M	@	WSTU-SC-40M-NL

@ Assembled to order

FEATURES/BENEFITS PAGE B4-3	HOW TO ORDER/NOMENCLATURE PAGE B4-5	SELECTION PAGE B4-6	ACCESSORIES PAGE B4-98
--------------------------------	--	------------------------	---------------------------

SELECTION/DIMENSIONS



Setscrew Ball Bearings SC NORMAL DUTY WIDE SLOT TAKE-UP BEARINGS

Series	Shaft Size	Weight lbs. kgs.	Take-Up Frame Size	A	B	C	D	E	F	G	H
204	1/2	2.1	WS300	1.23	3.69	0.531	2.00	2.38	5/8	0.38	0.63
	5/8	2.0		31.2	93.7	13.49	50.8	60.5	15.9	9.7	16.0
	3/4	1.9									
	20mm	0.9									
205	7/8	2.2	WS300	1.34	3.81	0.531	2.00	2.44	5/8	0.38	0.63
	15/16	2.1		34.0	96.8	13.49	50.8	62.0	15.9	9.7	16.0
	1	2.0									
	25mm	1.0									
206	1-1/16	3.1	WS308	1.52	4.38	0.531	2.25	2.75	3/4	0.38	0.63
	1-1/8	3.0									
	1-3/16	2.9									
	1-1/4	2.8									
	30mm	1.3		38.6	111.3	13.49	57.2	69.9	19.1	9.7	16.0
207	1-1/4	3.8	WS308	1.71	4.87	0.531	2.50	3.06	3/4	0.50	0.63
	1-5/16	3.7									
	1-3/8	3.6									
	1-7/16	3.5									
	35mm	1.6		43.4	123.7	13.49	63.5	77.7	19.1	12.7	16.0
208	1-1/2	6.1	WS400	1.94	5.69	0.688	3.25	3.50	1	0.63	0.75
	1-5/8	6.0									
	40mm	2.8		49.3	144.5	17.48	82.6	88.9	25.4	16.0	19.1

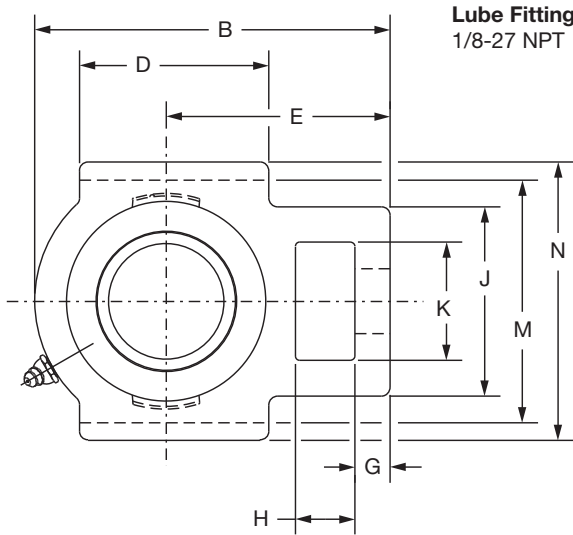
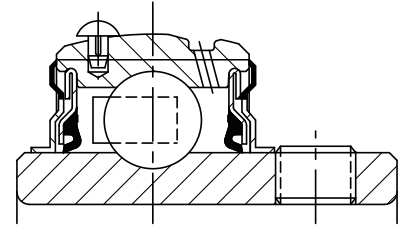
Series	Shaft Size	J	K	L	M	N	R	S	T
204	1/2	2.00	1.25	1.12	2.985/3.015	3.63	0.50	0.73	1.38
	5/8								
	3/4								
	20mm	50.8	31.8	28.4	75.82/76.58	92.2	12.7	18.5	35.1
205	7/8	2.00	1.31	1.32	2.985/3.015	3.63	0.56	0.78	1.38
	15/16								
	1								
	25mm	50.8	33.3	33.5	75.82/76.58	92.2	14.2	19.8	35.1
206	1-1/16	2.19	1.44	1.57	3.480/3.510	4.13	0.58	0.94	1.63
	1-1/8								
	1-3/16								
	1-1/4								
	30mm	55.6	36.6	39.9	88.39/89.15	104.9	14.7	23.9	41.3
207	1-1/4	2.50	1.44	1.84	3.480/3.510	4.13	0.67	1.04	1.63
	1-5/16								
	1-3/8								
	1-7/16								
	35mm	63.5	36.6	46.7	88.39/89.15	104.9	17.0	26.4	41.3
208	1-1/2	3.25	1.94	2.05	3.985/4.015	4.50	0.75	1.19	1.94
	1-5/8								
	40mm	82.6	49.3	52.1	101.22/101.98	114.3	19.1	30.2	49.3

FEATURES/BENEFITS PAGE B4-3	HOW TO ORDER/NOMENCLATURE PAGE B4-5	SELECTION PAGE B4-6	ACCESSORIES PAGE B4-98
--------------------------------	--	------------------------	---------------------------

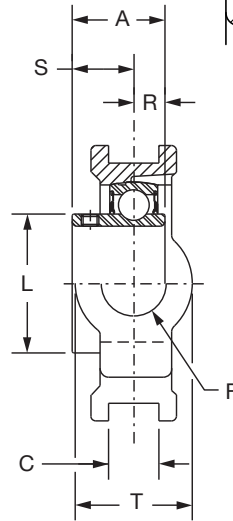
SELECTION/DIMENSIONS



Setscrew Ball Bearings SC NORMAL DUTY WIDE SLOT TAKE-UP BEARINGS



Lube Fitting Thread Size:
1/8-27 NPT



Series	Shaft Size	Standard		No Lube/Sealed for Life (-NL)	
		Part No.	Description	Part No.	Description
209	1-5/8	125151	WSTU-SC-110L	@	WSTU-SC-110L-NL
	1-11/16	125115	WSTU-SC-111	@	WSTU-SC-111-NL
	1-3/4	125362	WSTU-SC-112	@	WSTU-SC-112-NL
	1-13/16	125121	WSTU-SC-113	@	WSTU-SC-113-NL
	45mm	125915	WSTU-SC-45M	@	WSTU-SC-45M-NL
210	1-15/16	125116	WSTU-SC-115	125071	WSTU-SC-115-NL
	2	125363	WSTU-SC-200	062691	WSTU-SC-200-NL
	50mm	125916	WSTU-SC-50M	068374	WSTU-SC-50M-NL
211	2	135183	WSTU-SCM-200	058705	WSTU-SCM-200-NL
	2-3/16	125117	WSTU-SC-203	@	WSTU-SC-203-NL
	2-1/4	125364	WSTU-SC-204	@	WSTU-SC-204-NL
	55mm	125917	WSTU-SC-55M	@	WSTU-SC-55M-NL
212	2-1/4	135184	WSTU-SCM-204	@	WSTU-SCM-204-NL
	2-7/16	125118	WSTU-SC-207	@	WSTU-SC-207-NL
	60mm	125918	WSTU-SC-60M	@	WSTU-SC-60M-NL
214	2-1/2	135185	WSTU-SCM-208	@	WSTU-SCM-208-NL
	2-11/16	064704	WSTU-SC-211	@	WSTU-SC-211-NL
	70mm	062975	WSTU-SC-70M	@	WSTU-SC-70M-NL
215	2-15/16	125119	WSTU-SC-215	@	WSTU-SC-215-NL
	75mm	125919	WSTU-SC-75M	@	WSTU-SC-75M-NL

@ Assembled to order

FEATURES/BENEFITS PAGE B4-3	HOW TO ORDER/NOMENCLATURE PAGE B4-5	SELECTION PAGE B4-6	ACCESSORIES PAGE B4-98
--------------------------------	--	------------------------	---------------------------

SELECTION/DIMENSIONS



Setscrew Ball Bearings SC NORMAL DUTY WIDE SLOT TAKE-UP BEARINGS

Series	Shaft Size	Weight lbs kgs.	Take-Up Frame Size	A	B	C	D	E	F Screw Dia.	G
209	1-5/8	6.1	WS400	1.94	5.63	0.688	3.25	3.44	1	0.63
	1-11/16	6.0		1.94	5.63	0.688	3.25	3.44	1	0.63
	1-3/4	5.9		1.94	5.63	0.688	3.25	3.44	1	0.63
	1-13/16	5.8		1.94	5.63	0.688	3.25	3.44	1	0.63
	45mm	2.7		49.3	143.0	17.48	82.6	87.4	25.4	16.0
210	1-15/16	6.4	WS400	1.94	5.82	0.688	3.38	3.56	1	0.63
	2	6.2		1.94	5.82	0.688	3.38	3.56	1	0.63
	50mm	2.9		49.3	147.8	17.48	85.9	90.4	25.4	16.0
211	2	10.1	WS502	2.22	6.69	1.063	3.75	4.19	1-1/4	0.75
	2-3/16	10.0		2.22	6.69	1.063	3.75	4.19	1-1/4	0.75
	2-1/4	9.8		2.22	6.69	1.063	3.75	4.19	1-1/4	0.75
	55mm	4.5		56.4	169.9	27.00	95.3	106.4	31.8	19.1
212	2-1/4	11.2	WS502	2.31	7.50	1.063	4.00	4.69	1-1/4	0.75
	2-7/16	10.8		2.31	7.50	1.063	4.00	4.69	1-1/4	0.75
	60mm	4.9		58.7	190.5	27.00	101.6	119.1	31.8	19.1
214	2-1/2	18.0	WS515	2.54	8.56	1.063	4.75	5.38	1-1/2	0.81
	2-11/16	17.8		2.54	8.56	1.063	4.75	5.38	1-1/2	0.81
	70mm	8.0		64.5	217.4	27.0	120.7	136.7	38.1	20.6
215	2-15/16	18.9	WS515	2.33	9.13	1.063	4.75	5.50	1-1/2	0.81
	75mm	8.6		59.2	231.9	27.00	120.7	139.7	38.1	20.6

Series	Shaft Size	H	J	K	L	M	N	R	S	T
209	1-5/8	0.75	3.25	1.94	2.22	3.985/4.015	4.75	0.75	1.19	1.94
	1-11/16	0.75	3.25	1.94	2.22	3.985/4.015	4.75	0.75	1.19	1.94
	1-3/4	0.75	3.25	1.94	2.22	3.985/4.015	4.75	0.75	1.19	1.94
	1-13/16	0.75	3.25	1.94	2.22	3.985/4.015	4.75	0.75	1.19	1.94
	45mm	19.1	82.6	49.3	56.4	101.22/101.98	120.7	19.1	30.2	49.3
210	1-15/16	0.75	3.25	1.94	2.43	3.985/4.015	4.75	0.75	1.19	1.94
	2	0.75	3.25	1.94	2.43	3.985/4.015	4.75	0.75	1.19	1.94
	50mm	19.1	82.6	49.3	61.7	101.22/101.98	120.7	19.1	30.2	49.3
211	2	1.00	4.00	2.50	2.71	5.110/5.140	5.88	0.87	1.35	2.50
	2-3/16	1.00	4.00	2.50	2.71	5.110/5.140	5.88	0.87	1.35	2.50
	2-1/4	1.00	4.00	2.50	2.71	5.110/5.140	5.88	0.87	1.35	2.50
	55mm	25.4	101.6	63.5	68.8	129.79/130.56	149.4	22.1	34.3	63.5
212	2-1/4	1.25	4.00	2.50	2.97	5.110/5.140	5.88	0.90	1.41	2.50
	2-7/16	1.25	4.00	2.50	2.97	5.110/5.140	5.88	0.90	1.41	2.50
	60mm	31.8	101.6	63.5	75.4	129.79/130.56	149.4	22.9	35.8	63.5
214	2-1/2	1.25	4.38	2.75	3.31	5.923/5.953	6.56	1.06	1.48	2.75
	2-11/16	1.25	4.38	2.75	3.31	5.923/5.953	6.56	1.06	1.48	2.75
	70mm	31.8	111.3	69.9	84.1	150.44/151.21	166.6	26.9	37.6	69.9
215	2-15/16	1.25	4.38	2.75	3.62	5.923/5.953	6.69	0.86	1.47	2.75
	75mm	31.8	111.3	69.9	91.9	150.44/151.21	169.9	21.8	37.3	69.9

*+ or -.015", + or -.38mm

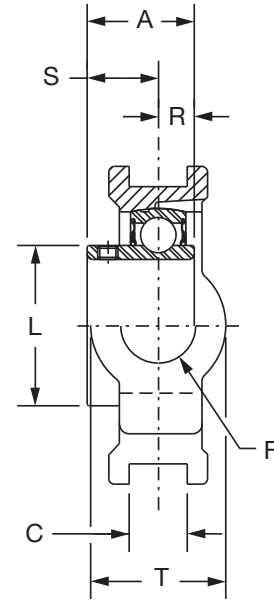
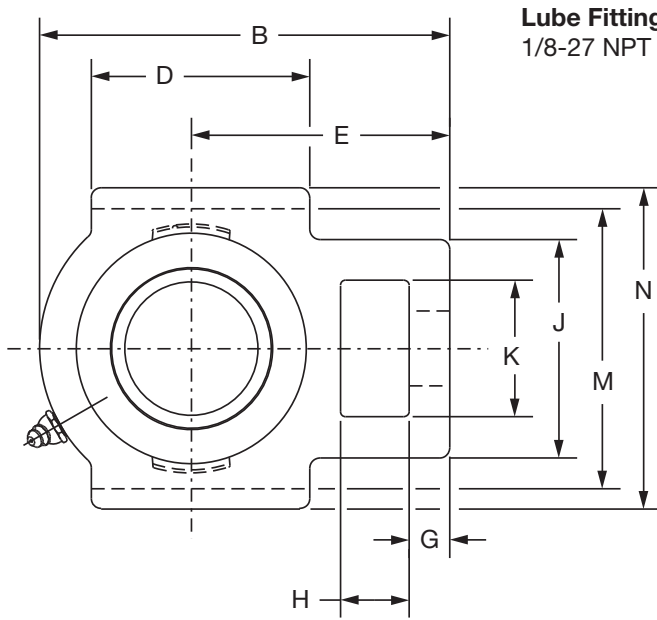
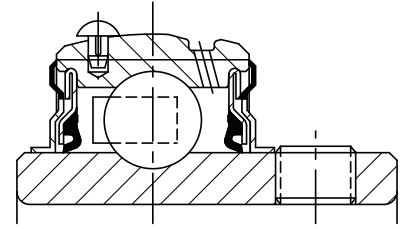
+.010, -.020" +.25mm, -.50mm

FEATURES/BENEFITS PAGE B4-3	HOW TO ORDER/NOMENCLATURE PAGE B4-5	SELECTION PAGE B4-6	ACCESSORIES PAGE B4-98
--------------------------------	--	------------------------	---------------------------

SELECTION/DIMENSIONS



Setscrew Ball Bearings SCM MEDIUM DUTY WIDE SLOT TAKE-UP BEARINGS



Series	Shaft Size	Part No.	Description
206	1	135117	WSTU-SCM-100
	25mm	125989	WSTU-SCM-25M
207	1-3/16	135118	WSTU-SCM-103
	1-1/4 30mm	125360 125990	WSTU-SC-104 WSTU-SCM-30M
208	1-7/16	135116	WSTU-SCM-107
	35mm	125991	WSTU-SCM-35M
209	1-1/2	135120	WSTU-SCM-108
	40mm	125992	WSTU-SCM-40M
210	1-11/16	135121	WSTU-SCM-111
	1-3/4 45mm	135182 125993	WSTU-SCM-112 WSTU-SCM-45M

SELECTION/DIMENSIONS



Setscrew Ball Bearings SCM MEDIUM DUTY WIDE SLOT TAKE-UP BEARINGS

Bearing Reference Guide

ULTRA KLEEN

E-Z KLEEN

Extreme Duty

Setscrew Ball Bearing

GRIP TIGHT

D-LOK Ball Bearing

Series	Shaft Size	Weight lbs. kgs.	Take-Up Frame No. Ref.	A	B	C	D	E	F Screw Dia.	G
206	1	2.9	WS308	1.52	4.38	0.531	2.25	2.75	3/4	0.38
	25mm	1.4		38.6	111.3	13.49	57.2	69.9	19.1	9.7
207	1-3/16	3.9	WS308	1.71	4.87	0.531	2.50	3.06	3/4	0.50
	1-1/4 30mm	3.8 1.7		43.4	123.7	13.49	63.5	77.7	19.1	12.7
208	1-7/16	6.1	WS400	1.94	5.69	0.688	3.25	3.50	1	0.63
	35mm	2.9		49.3	144.5	17.48	82.6	88.9	25.4	16.0
209	1-1/2	6.0	WS400	1.94	5.63	0.688	3.25	3.44	1	0.63
	40mm	2.8		49.3	143.0	17.48	82.6	87.4	25.4	16.0
210	1-11/16	6.4	WS400	1.94	5.82	0.688	3.38	3.56	1	0.63
	1-3/4 45mm	6.4 3.0		49.3	147.8	17.48	85.9	90.4	25.4	16.0

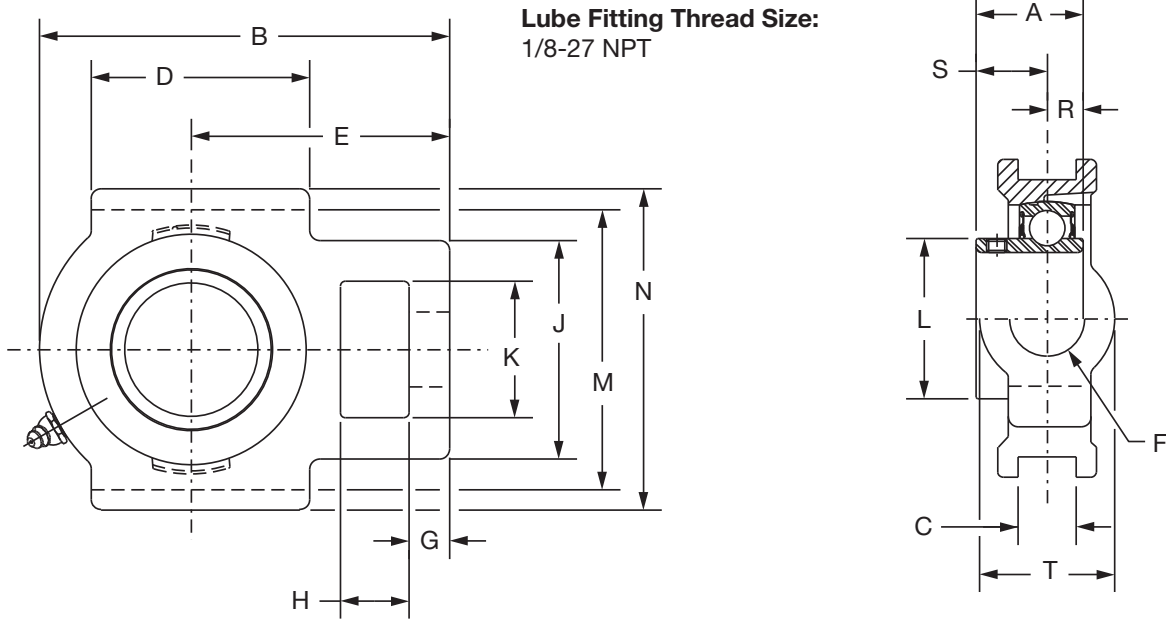
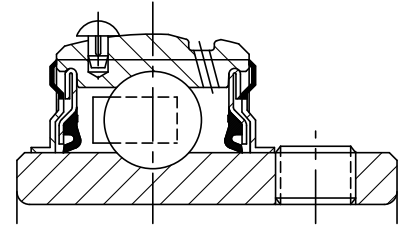
Series	Shaft Size	H	J	K	L	M	N	R	S	T
206	1	0.63	2.19	1.44	1.57	3.480/3.510	4.13	0.58	0.94	1.63
	25mm	16.0	55.6	36.6	39.9	88.39/89.15	104.9	14.7	23.9	41.3
207	1-3/16	0.63	2.50	1.44	1.84	3.480/3.510	4.13	0.67	1.04	1.63
	1-1/4 30mm	16.0	63.5	36.6	46.7	88.39/89.15	104.9	17.0	26.4	41.3
208	1-7/16	0.75	3.25	1.94	2.05	3.985/4.015	4.50	0.75	1.19	1.94
	35mm	19.1	82.6	49.3	52.1	101.22/101.98	114.3	19.1	30.2	49.3
209	1-1/2	0.75	3.25	1.94	2.22	3.985/4.015	4.75	0.75	1.19	1.94
	40mm	19.1	82.6	49.3	56.4	101.22/101.98	120.7	19.1	30.2	49.3
210	1-11/16	0.75	3.25	1.94	2.43	3.985/4.015	4.75	0.75	1.19	1.94
	1-3/4 45mm	19.1	82.6	49.3	61.7	101.22/101.98	120.7	19.1	30.2	49.3

FEATURES/BENEFITS PAGE B4-3	HOW TO ORDER/NOMENCLATURE PAGE B4-5	SELECTION PAGE B4-6	ACCESSORIES PAGE B4-98
--------------------------------	--	------------------------	---------------------------



SELECTION/DIMENSIONS

Setscrew Ball Bearings SCM MEDIUM DUTY WIDE SLOT TAKE-UP BEARINGS



Series	Shaft Size	Part No.	Description
211	1-15/16	135123	WSTU-SCM-115
	2	135183	WSTU-SCM-200
	50mm	125994	WSTU-SCM-50M
212	2-3/16	135125	WSTU-SCM-203
	2-1/4	135184	WSTU-SCM-204
	55mm	125995	WSTU-SCM-55M
214	2-7/16	135127	WSTU-SCM-207
	2-1/2	135185	WSTU-SCM-208
	65mm	125996	WSTU-SCM-65M
215	2-11/16	135129	WSTU-SCM-211
	70mm	125997	WSTU-SCM-70M
216	2-15/16	135130	WSTU-SCM-215
	3	135181	WSTU-SCM-300
	75mm	125998	WSTU-SCM-75M

SELECTION/DIMENSIONS



Setscrew Ball Bearings SCM MEDIUM DUTY WIDE SLOT TAKE-UP BEARINGS

Bearing Reference Guide

ULTRA KLEEN

E-Z KLEEN

Extreme Duty

Setscrew Ball Bearing

GRIP TIGHT

D-LOK Ball Bearing

Series	Shaft Size	Weight lbs. kgs.	Take-up Frame No. Ref	A	B	C	D	E	F Screw Dai.	G
211	1-15/16	10.1	WS502	2.22	6.69	1.063	3.75	4.19	1-1/4	0.75
	2	10.2		56.4	169.9	27.00	95.3	106.4	31.8	19.1
	50mm	4.7								
212	2-3/16	11.4	WS502	2.31	7.50	1.063	4.00	4.69	1-1/4	0.75
	2-1/4	11.2		58.7	190.5	27.00	101.6	119.1	31.8	19.1
	55mm	5.1								
214	2-7/16	18.2	WS515	2.54	8.56	1.063	4.75	5.38	1-1/2	0.81
	2-1/2	18.0		64.5	217.4	27.0	120.7	136.7	38.1	20.6
	65mm	8.1								
215	2-11/16	19.0	WS515	2.33	9.13	1.063	4.75	5.50	1-1/2	0.81
	70mm	8.9		59.2	231.9	27.00	120.7	139.7	38.1	20.6
216	2-15/16	21.7	WS608	2.38	9.13	1.063	4.75	2.38	1-1/2	0.81
	3	21.5		60.5	231.6	27.00	120.7	60.5	38.1	20.6
	75mm	9.5								

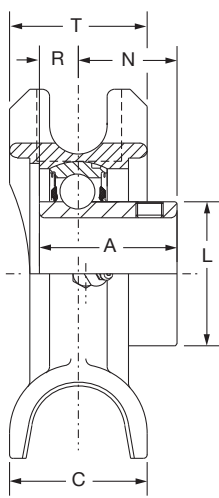
Series	Shaft Size	H	J	K	L	M	N	R	S	T
211	1-15/16	1.00	4.00	2.50	2.71	5.110/5.140	5.88	0.87	1.35	2.50
	2									
	50mm	25.4	101.6	63.5	68.8	129.79/130.56	149.4	22.1	34.3	63.5
212	2-3/16	1.25	4.00	2.50	2.97	5.110/5.140	5.88	0.90	1.41	2.50
	2-1/4									
	55mm	31.8	101.6	63.5	75.4	129.79/130.56	149.4	22.9	35.8	63.5
214	2-7/16	1.25	4.38	2.75	3.31	5.923/5.953	6.56	1.06	1.48	2.75
	2-1/2									
	65mm	31.8	111.3	69.9	84.1	150.44/151.21	166.6	26.9	37.6	69.9
215	2-11/16	1.25	4.38	2.75	3.62	5.923/5.953	6.69	0.86	1.47	2.75
	70mm									
		31.8	111.3	69.9	91.9	150.44/151.21	169.9	21.8	37.3	69.9
216	2-15/16	1.25	4.38	2.75	3.83	6.485/6.515	7.25	0.88	1.50	2.75
	3									
	75mm	31.8	111.3	69.9	97.3	164.72/165.48	184.2	22.4	38.1	69.9

FEATURES/BENEFITS PAGE B4-3	HOW TO ORDER/NOMENCLATURE PAGE B4-5	SELECTION PAGE B4-6	ACCESSORIES PAGE B4-98
--------------------------------	--	------------------------	---------------------------

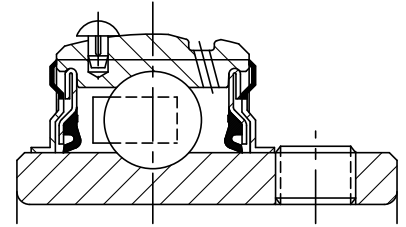
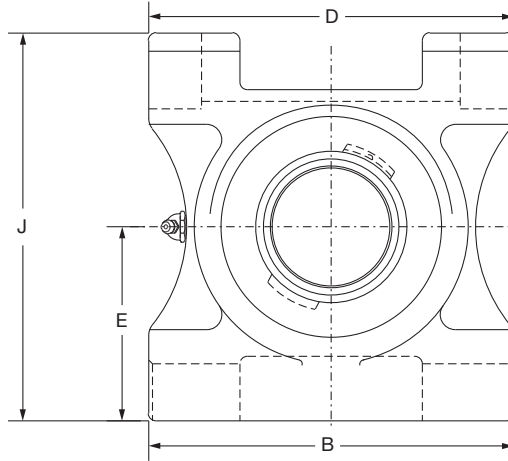
SELECTION/DIMENSIONS



Setscrew Ball Bearings TYPE G NORMAL DUTY TOP ANGLE TAKE-UP BEARINGS



Lube Fitting Thread Size:
1/8-27 NPT



Series	Shaft Size	Part No.	Description
210	1-15/16	012340	TP-G-115
	2	012302	TP-G-200
211	2	136081	TP-GM-200
	2-3/16	012341	TP-G-203
	2-1/4	012303	TP-G-204
212	2-1/4	136082	TP-GM-204
	2-7/16	012342	TP-G-207
214	2-1/2	136083	TP-GM-208
	2-11/15	@	TP-G-211
215	2-15/16	012343	TP-G-215

@ Assembled to order

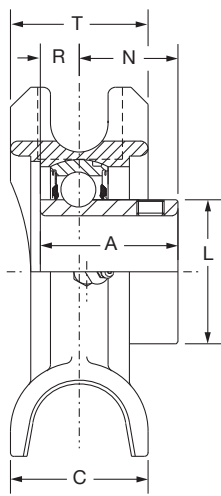
Series	Shaft Size	Weight lbs.	Frame Size	A	B	C	D	E	J	L	N	R	T
210	1-15/16	10.2	TP10	1.94	6.50	2.38	6.00	3.25	6.38	2.43	1.19	0.75	2.38
	2	10.0											
211	2	12.5	TP20	2.22	7.00	2.50	6.75	3.38	7.88	2.71	1.35	0.87	2.38
	2-3/16	12.4											
	2-1/4	1.02											
212	2-1/4	16.0	TP30	2.31	7.50	2.75	7.00	3.50	7.44	2.97	1.41	0.90	2.75
	2-7/16	15.9											
214	2-1/2	21.3	TP40	2.54	8.50	2.50	8.00	4.00	8.31	3.31	1.38	1.16	2.75
	2-11/15	21.1											
215	2-15/16	21.2	TP40	2.33	8.50	2.50	8.00	4.00	8.31	3.62	1.37	0.96	2.75

FEATURES/BENEFITS PAGE B4-3	HOW TO ORDER/NOMENCLATURE PAGE B4-5	SELECTION PAGE B4-6	ACCESSORIES PAGE B4-98
--------------------------------	--	------------------------	---------------------------

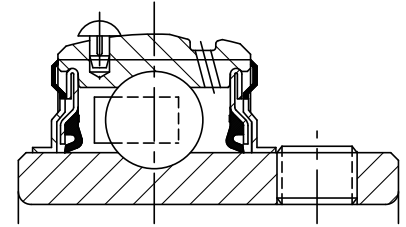
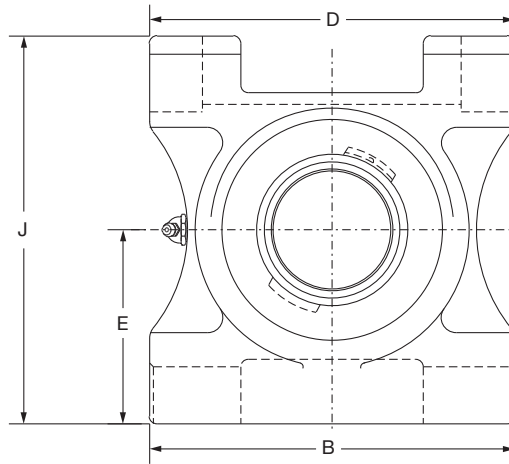
SELECTION/DIMENSIONS



Setscrew Ball Bearings TYPE GM MEDIUM DUTY TOP ANGLE TAKE-UP BEARINGS



Lube Fitting Thread Size:
1/8-27 NPT



Series	Shaft Size	Part No.	Description
210	1-11/16	136070	TP-GM-111
	1-3/4	136080	TP-GM-112
211	1-15/16	136071	TP-GM-115
	2	136081	TP-GM-200
212	2-3/16	136072	TP-GM-203
	2-1/4	136082	TP-GM-204
214	2-7/16	136073	TP-GM-207
	2-1/2	136083	TP-GM-208
215	2-11/16	136076	TP-GM-211
216	2-15/16	136074	TP-GM-215
	3	136084	TP-GM-300
218	3-7/16	136075	TP-GM-307
	3-1/2	136085	TP-GM-308

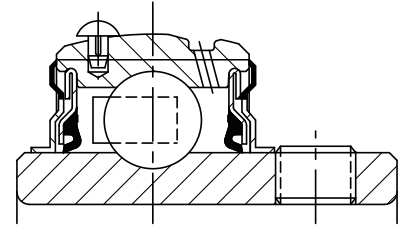
Series	Shaft Size	Weight lbs.	Frame Size	A	B	C	D	E	J	L	N	R	T
210	1-11/16	10.4	TP10	1.94	6.50	2.38	6.00	3.25	6.38	2.43	1.19	0.75	2.38
	1-3/4	10.0											
211	1-15/16	12.8	TP20	2.22	7.00	2.50	6.75	3.38	7.88	2.71	1.35	0.87	2.38
	2	12.5											
212	2-3/16	16.2	TP30	2.31	7.50	2.75	7.00	3.50	7.44	2.97	1.41	0.90	2.75
	2-1/4	16.0											
214	2-7/16	21.7	TP40	2.54	8.50	2.50	8.00	4.00	8.31	3.31	1.38	1.16	2.75
	2-1/2	21.0											
215	2-11/16	25.0	TP40	2.33	8.50	2.50	8.00	4.00	8.31	3.62	1.37	0.96	2.75
216	2-15/16	29.8	TP50	2.38	9.50	2.75	9.00	4.50	9.63	3.83	1.41	0.97	3.13
	3	29.5											
218	3-7/16	40.2	TP60	2.56	11.00	3.13	10.50	5.50	11.00	4.35	1.54	1.02	3.13
	3-1/2	40.0											

FEATURES/BENEFITS PAGE B4-3	HOW TO ORDER/NOMENCLATURE PAGE B4-5	SELECTION PAGE B4-6	ACCESSORIES PAGE B4-98
--------------------------------	--	------------------------	---------------------------

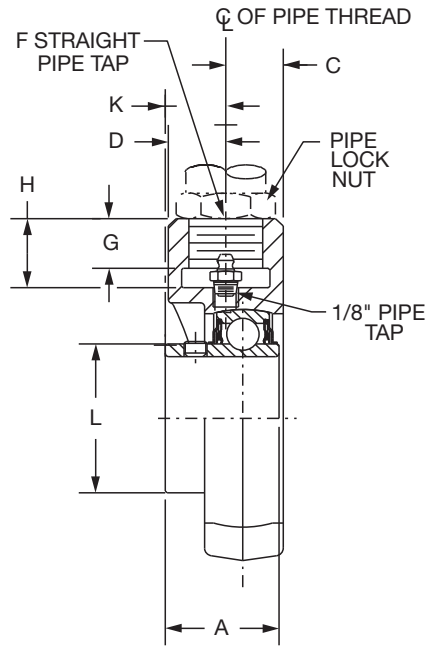
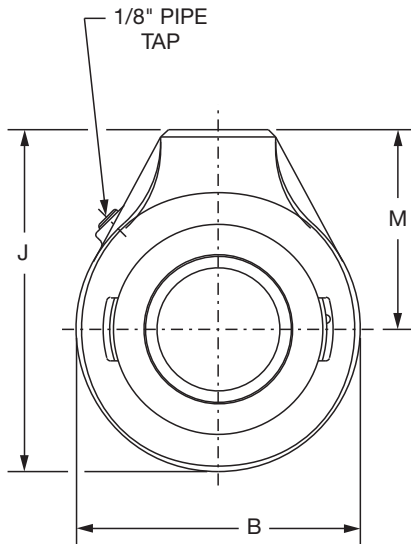


SELECTION/DIMENSIONS

Setscrew Ball Bearings SC NORMAL DUTY SCREW CONVEYOR HANGER BEARINGS



Lube Fitting Thread Size:
1/8-27 NPT



Series	Shaft Size	Part No.	Description
206	1	057878	SCHB-SC-100
	1-1/8	073287	SCHB-SC-102
207	1-3/16	057220	SCHB-SC-103
	1-1/4	124996	SCHB-SC-104
	1-3/8	058630	SCHB-SC-106
208	1-7/16	126049	SCHB-SC-107
	1-1/2	124290	SCHB-SC-108
	1-5/8	124404	SCHB-SC-110
210	1-11/16	124408	SCHB-SC-111
	1-3/4	124299	SCHB-SC-112
	1-15/16	124405	SCHB-SC-115
	2	124291	SCHB-SC-200
212	2-3/16	124409	SCHB-SC-203
	2-1/4	124419	SCHB-SC-204
	2-7/16	124292	SCHB-SC-207
216	2-15/16	124406	SCHB-SC-215
	3	124293	SCHB-SC-300
218	3-7/16	053320	SCHB-SCM-307 MOD
	3-1/2	057361	SCHB-SCM-308 MOD

@ Assembled to order

SELECTION/DIMENSIONS



Setscrew Ball Bearings SC NORMAL DUTY SCREW CONVEYOR HANGER BEARINGS

Bearing Reference Guide

ULTRA KLEEN

E-Z KLEEN

Extreme Duty

Setscrew Ball Bearing

GRIP TIGHT

D-LOK Ball Bearing

Series	Shaft Size	Weight lbs.	A	B	C	D	F*	G	H	J	K	L	M
206	1 1-1/8	3.0	1.52	3.13	0.53	1.03	3/4-14	0.75	0.94	4.06	0.89	1.57	2.50
207	1-3/16	3.5	1.71	3.88	0.82	0.82	3/4-14	0.63	0.94	4.69	0.98	1.84	2.75
	1-1/4	3.5											
	1-3/8	3.5											
208	1-7/16	3.4	1.94	4.00	0.83	0.83	3/4-14	0.63	0.94	4.88	1.02	2.05	2.88
	1-1/2	3.4											
	1-5/8	3.8											
210	1-11/16	5.4	1.94	4.63	0.94	1.78	1 - 11-1/2	0.81	1.13	5.56	0.91	2.43	3.25
	1-3/4	4.8											
	1-15/16	4.5											
	2	4.4											
212	2-3/16	5.0	2.31	5.50	1.16	1.78	1-1/4 - 11-1/2	1.13	1.44	6.75	1.07	2.97	4.00
	2-1/4	5.0											
	2-7/16	7.4											
216	2-15/16 3	14.0 14.6	2.38	7.00	1.36	1.45	1-1/2 - 11-1/2	1.25	1.69	8.38	1.17	3.83	4.88
218	3-7/16	21.2	2.56	8.31	1.76	1.74	2 - 11-1/2	1.75	2.19	10.16	1.39	4.35	6.00
	3-1/2	21.0											

Use straight thread for the pipe. Bearing to be secured with a heavy locknut
Pipe plug and lube fitting are factory installed and may be reversed from position shown

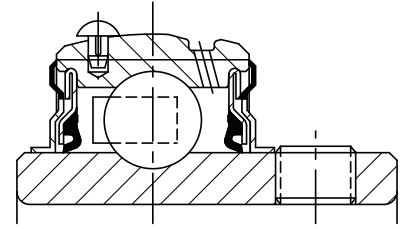
NOTE: Inserts use the ProGuard Plus (-FF) seals. 1, 1-3/16, 1-7/16, 1-11/16, 1-3/4, 2-3/16, 2-1/4
2-15/16, 3, 3-7/16 & 3-1/2 use SCM inserts with flingers.

FEATURES/BENEFITS PAGE B4-3	HOW TO ORDER/NOMENCLATURE PAGE B4-5	SELECTION PAGE B4-6	ACCESSORIES PAGE B4-98
--------------------------------	--	------------------------	---------------------------

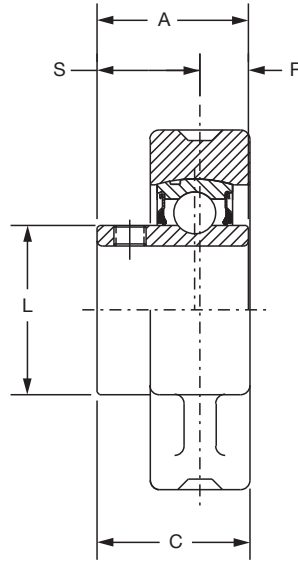
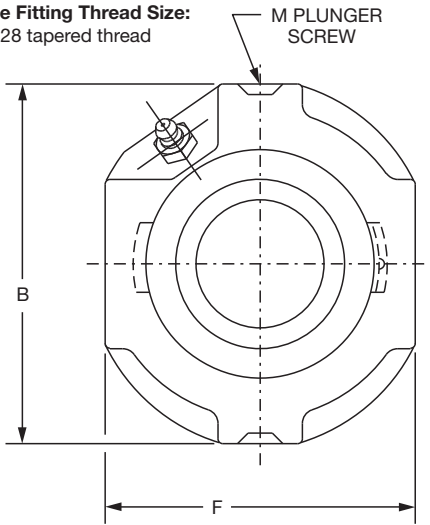
SELECTION/DIMENSIONS



Setscrew Ball Bearings SC NORMAL DUTY HANGER BEARINGS



Lube Fitting Thread Size:
1/4-28 tapered thread



Series	Shaft Size	Part No.	Description
206	1-1/16	124420	HNG-SC-101
	1-1/8	124421	HNG-SC-102
	1-3/16	124240	HNG-SC-103
	1-1/4	123176	HNG-SC-104S
207	1-1/4	124422	HNG-SC-104
	1-5/16	124423	HNG-SC-105
	1-3/8	124424	HNG-SC-106
	1-7/16	124242	HNG-SC-107
210	1-15/16	124245	HNG-SC-115
	2	124393	HNG-SC-200

These bearings are designed for use in 4-point hanger frames.

Series	Shaft Size	Weight lbs.	A	B	C	F	L	M	R	S
206	1-1/16	2.0	1.52	3.63	1.50	3.00	1.57	1/2	0.58	0.94
	1-1/8	1.9								
	1-3/16	1.8								
	1-1/4	1.7								
207	1-1/4	2.8	1.71	4.25	1.68	3.50	1.84	1/2	0.67	1.04
	1-5/16	2.6								
	1-3/8	2.4								
	1-7/16	2.2								
210	1-15/16	6.2	1.94	5.00	2.00	4.19	2.43	1/2	0.75	1.19
	2	6.0								

FEATURES/BENEFITS PAGE B4-3	HOW TO ORDER/NOMENCLATURE PAGE B4-5	SELECTION PAGE B4-6	ACCESSORIES PAGE B4-98
--------------------------------	--	------------------------	---------------------------

SELECTION/DIMENSIONS



Setscrew Ball Bearings SC NORMAL DUTY CYLINDRICAL UNITS

Bearing Reference Guide

ULTRA KLEEN

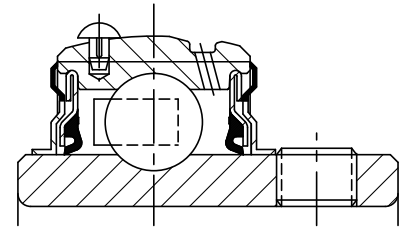
E-Z KLEEN

Extreme Duty

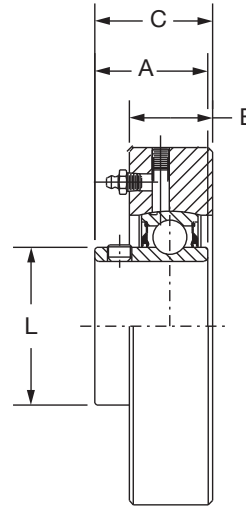
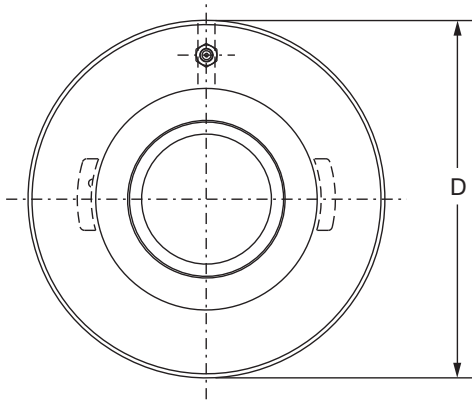
Setscrew Ball Bearing

GRIP TIGHT

D-LOK Ball Bearing



Lube Fitting Thread Size:
1/4-28 tapered thread



Series	Shaft Size	Part No.	Description
205	7/8	124394	CYL-SC-014
	15/16	124148	CYL-SC-015
	1	124149	CYL-SC-100
206	1-1/16	124427	CYL-SC-101
	1-1/8	124428	CYL-SC-102
	1-3/16	124250	CYL-SC-103
	1-1/4	123177	CYL-SC-104S
207	1-1/4	124251	CYL-SC-104
	1-5/16	124429	CYL-SC-105
	1-3/8	124430	CYL-SC-106
	1-7/16	124253	CYL-SC-107

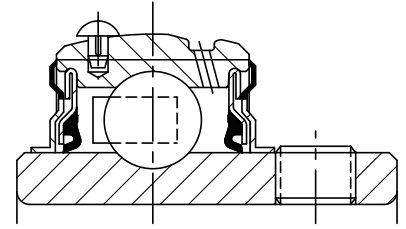
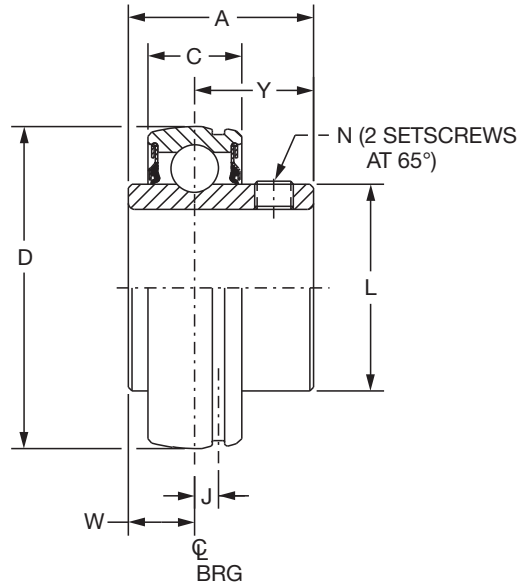
Series	Shaft Size	Weight lbs.	A	B	C	D	L
205	7/8	1.4	1.34	0.84	1.19	3.125/3.123	1.32
	15/16	1.3					
	1	1.2					
206	1/16	2.2	1.52	0.94	1.38	3.500/3.498	1.57
	1/8	2.1					
	1-3/16	2.0					
	1-1/4	1.9					
207	1-1/4	2.8	1.71	1.06	1.54	3.875/3.873	1.84
	1-15/16	2.7					
	1-3/8	2.6					
	1-7/16	2.5					

FEATURES/BENEFITS PAGE B4-3	HOW TO ORDER/NOMENCLATURE PAGE B4-5	SELECTION PAGE B4-6	ACCESSORIES PAGE B4-98
--------------------------------	--	------------------------	---------------------------

SELECTION/DIMENSIONS



Setscrew Ball Bearings SC NORMAL DUTY BEARING INSERTS



Series	Shaft Size	Standard Insert		High Temp	
		Part No.	Description	Part No.	Description
203	1/2	123328	INS-SC-008	-----	INS-SC-008-HT
	5/8	123329	INS-SC-010	-----	INS-SC-010-HT
	17mm	125800	INS-SC-17M	-----	INS-SC-17M-HT
204	1/2	123330	INS-SC-008L	@	INS-SC-008L-HT
	5/8	123331	INS-SC-010L	@	INS-SC-010L-HT
	3/4	123332	INS-SC-012	052032	INS-SC-012-HT
	13/16	074505	INS-SC-013	@	INS-SC-013-HT
	20mm	125802	INS-SC-20M	@	INS-SC-20M-HT
205	7/8	123333	INS-SC-014	068013	INS-SC-014-HT
	15/16	123334	INS-SC-015	@	INS-SC-015-HT
	1	123335	INS-SC-100	054949	INS-SC-100-HT
	25mm	125804	INS-SC-25M	@	INS-SC-25M-HT
206	1-1/16	123336	INS-SC-101	@	INS-SC-101-HT
	1-1/8	123337	INS-SC-102	@	INS-SC-102-HT
	1-3/16	123338	INS-SC-103	067902	INS-SC-103-HT
	1-1/4	123469	INS-SC-104S	@	INS-SC-104S-HT
	30mm	125806	INS-SC-30M	@	INS-SC-30M-HT
207	1-1/4	123339	INS-SC-104	053776	INS-SC-104-HT
	1-5/16	123340	INS-SC-105	057201	INS-SC-105-HT
	1-3/8	123341	INS-SC-106	057354	INS-SC-106-HT
	1-7/16	123368	INS-SC-107	052645	INS-SC-107-HT
	35mm	125808	INS-SC-35M	@	INS-SC-35M-HT

@ Assembled to order

* 20 piece minimum

FEATURES/BENEFITS PAGE B4-3	HOW TO ORDER/NOMENCLATURE PAGE B4-5	SELECTION PAGE B4-6	ACCESSORIES PAGE B4-98
--------------------------------	--	------------------------	---------------------------

SELECTION/DIMENSIONS



Setscrew Ball Bearings SC NORMAL DUTY BEARING INSERTS

Bearing Reference Guide

ULTRA KLEEN

E-Z KLEEN

Extreme Duty

Setscrew Ball Bearing

GRIP TIGHT

D-LOK Ball Bearing

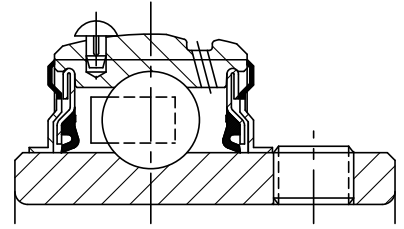
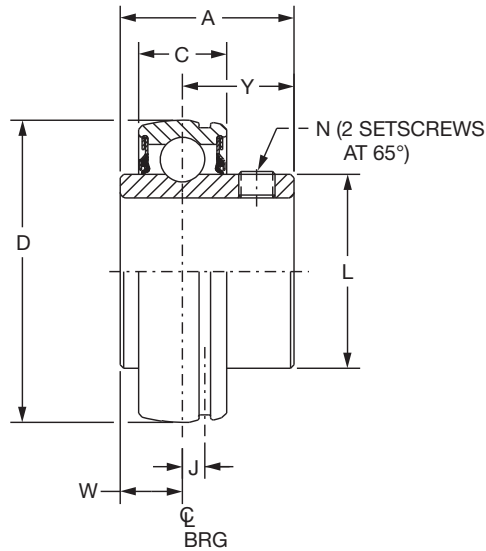
Series	Shaft Size	Weight lbs. kgs.	A	C	D	J	L	N	W	Y
203	1/2	.25	1.00	0.51	1.5748	0.15	0.96	10-32	0.36	0.64
	5/8	.23								
	17mm	.10	25.4	13.0	40.000	3.8	24.4	M5x0.8	9.1	16.3
204	1/2	.38	1.23	0.58	1.8504	0.15	1.12	1/4-28	0.50	0.73
	5/8	.35								
	3/4	.32								
	13/16	.29								
	20mm	.16	31.2	14.7	47.000	3.8	28.4	M6x1	12.7	18.5
205	7/8	.43	1.34	0.59	2.0472	0.16	1.32	1/4-28	0.56	0.78
	15/16	.40								
	1	.37								
	25mm	.18	34.0	15.0	52.000	4.1	33.5	M6x1	14.2	19.8
206	1-1/16	.67	1.52	0.69	2.4409	0.16	1.57	5/16-24	0.58	0.94
	1-1/8	.63								
	1-3/16	.60								
	1-1/4	.58								
	30mm	.27	38.6	17.5	62.000	4.1	39.9	M8x1.25	14.7	23.9
207	1-1/4	1.02	1.71	0.75	2.8346	0.20	1.84	5/16-24	0.67	1.04
	1-5/16	.97								
	1-3/8	.92								
	1-7/16	.86								
	35mm	.44	43.4	19.1	72.000	5.1	46.7	M8x1.25	17.0	26.4

FEATURES/BENEFITS PAGE B4-3	HOW TO ORDER/NOMENCLATURE PAGE B4-5	SELECTION PAGE B4-6	ACCESSORIES PAGE B4-98
--------------------------------	--	------------------------	---------------------------

SELECTION/DIMENSIONS



Setscrew Ball Bearings SC NORMAL DUTY BEARING INSERTS



Series	Shaft Size	Standard Insert		High Temp	
		Part No.	Description	Part No.	Description
208	1-1/2	123342	INS-SC-108	064149	INS-SC-108-HT
	1-5/8	123343	INS-SC-110	@	INS-SC-110-HT
	40mm	125810	INS-SC-40M	064865	INS-SC-40M-HT
209	1-5/8	045874	INS-SC-110L	@	INS-SC-110L-HT
	1-11/16	123344	INS-SC-111	053565	INS-SC-111-HT
	1-3/4	123345	INS-SC-112	@	INS-SC-112-HT
	1-13/16	054225	INS-SC-113	@	INS-SC-113-HT
	45mm	125812	INS-SC-45M	075014	INS-SC-45M-HT
210	1-15/16	123346	INS-SC-115	054019	INS-SC-115-HT
	2	123347	INS-SC-200	054431	INS-SC-200-HT
	50mm	125814	INS-SC-50M	@	INS-SC-50M-HT
211	2	123358	INS-SCM-200	058157	INS-SCM-200-HT
	2-3/16	123348	INS-SC-203	@	INS-SC-203-HT
	2-1/4	123349	INS-SC-204	@	INS-SC-204-HT
	55mm	125816	INS-SC-55M	@	INS-SC-55M-HT
212	2-1/4	123360	INS-SCM-204	073634	INS-SCM-204-HT
	2-7/16	123350	INS-SC-207	054196	INS-SC-207-HT
	60mm	125818	INS-SC-60M	057802	INS-SC-60M-HT
214	2-1/2	123362	INS-SCM-208	075714	INS-SCM-208-HT
	2-11/16	123326	INS-SC-211	@	INS-SC-211-HT
	70mm	125820	INS-SC-70M	@	INS-SC-70M-HT
215	2-15/16	123352	INS-SC-215	@	INS-SC-215-HT
	75mm	125822	INS-SC-75M	@	INS-SC-75M-HT
218	90mm	@	INS-SC-90M	@	INS-SC-90M-HT

@ Assembled to order.

FEATURES/BENEFITS PAGE B4-3	HOW TO ORDER/NOMENCLATURE PAGE B4-5	SELECTION PAGE B4-6	ACCESSORIES PAGE B4-98
--------------------------------	--	------------------------	---------------------------

SELECTION/DIMENSIONS



Setscrew Ball Bearings SC NORMAL DUTY BEARING INSERTS

Bearing Reference Guide

ULTRA KLEEN

E-Z KLEEN

Extreme Duty

Setscrew Ball Bearing

GRIP TIGHT

D-LOK Ball Bearing

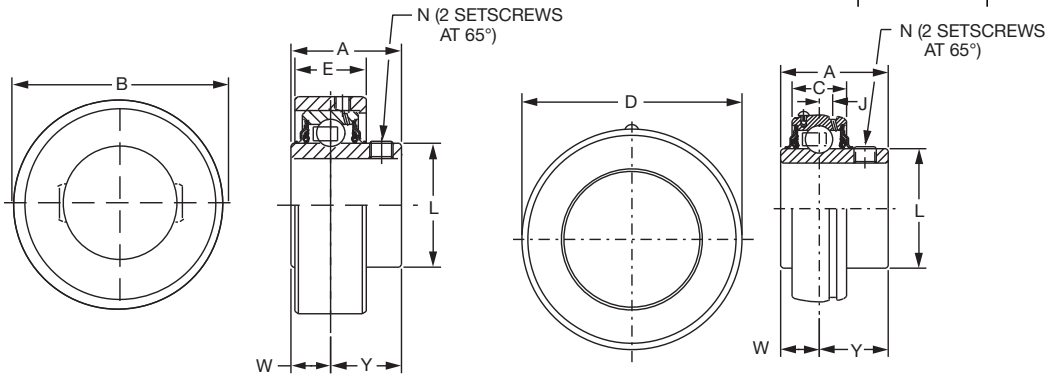
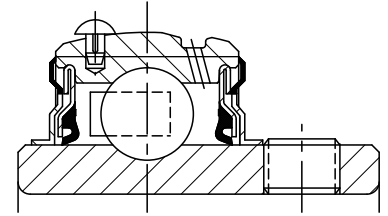
Series	Shaft Size	Weight lbs kgs.	A	C	D	J	L	N	W	Y
208	1-1/2	1.27	1.94	0.87	3.1496	0.22	2.05	5/16-24	0.75	1.19
	1-5/8	1.13								
	40mm	0.51	49.3	22.1	80.000	5.6	52.1	M8x1.25	19.1	30.2
209	1-5/8	1.49	1.94	0.87	3.3465	0.25	2.22	5/16-24	0.75	1.19
	1-11/16	1.43								
	1-3/4	1.36								
	1-13/16	1.30								
	45mm	0.62	49.3	22.1	85.000	6.4	56.4	M8x1.25	19.1	30.2
210	1-15/16	1.48	1.94	0.87	3.5433	0.25	2.43	3/8-24	0.75	1.19
	2	1.39								
	50mm	0.67	49.3	22.1	90.000	6.4	61.7	M10x1.5	19.1	30.2
211	2	2.26	2.22	0.94	3.9370	0.25	2.71	3/8-24	0.87	1.35
	2-3/16	1.97								
	2-1/4	1.87								
	55mm	0.89	56.4	23.9	100.000	6.4	68.8	M10x1.5	22.1	34.3
212	2-1/4	2.85	2.31	1.02	4.3307	0.25	2.97	3/8-24	0.90	1.41
	2-7/16	2.49								
	60mm	1.13	58.7	25.9	110.000	6.4	75.4	M10x1.5	22.9	35.8
214	2-1/2	4.25	2.54	1.10	4.9213	0.26	3.31	3/8-24	1.06	1.48
	2-11/16	3.60								
	70mm	1.63	64.5	27.9	125.000	6.6	84.1	M10x1.5	26.9	37.6
215	2-15/16	3.86	2.33	1.14	5.1181	0.28	3.62	3/8-24	0.86	1.47
	75mm	1.85	59.2	29.0	130.000	7.1	91.9	M10x1.5	21.8	37.3
218	90mm	3.30	65.0	34.0	160.000	7.6	110.5	M10x1.5	24.4	40.6

FEATURES/BENEFITS PAGE B4-3	HOW TO ORDER/NOMENCLATURE PAGE B4-5	SELECTION PAGE B4-6	ACCESSORIES PAGE B4-98
--------------------------------	--	------------------------	---------------------------



SELECTION/DIMENSIONS

Setscrew Ball Bearings SCH-E EXPANSION NORMAL DUTY BEARING INSERTS



Series	Shaft Size	Expansion	
		Part No.	Description
205	1	@	INS-SCH-100-E
	25mm	@	INS-SCH-25M-E
206	1	@	INS-SCMH-100-E
	1-1/16	@	INS-SCH-101-E
	1-1/8	@	INS-SCH-102-E
	1-3/16	126495	INS-SCH-103-E
	1-1/4	@	INS-SCH-104S-E
	30mm	049925	INS-SCH-30M-E
207	1-1/4	@	INS-SCH-104-E
	1-5/16	@	INS-SCH-105-E
	1-3/8	@	INS-SCH-106-E
	1-7/16	126496	INS-SCH-107-E
	35mm	@	INS-SCH-35M-E
209	1-1/2	@	INS-SCMH-108-E
	1-5/8	@	INS-SCH-110-E
	1-11/16	068478	INS-SCH-111-E
	1-3/4	@	INS-SCH-112-E
	45mm	@	INS-SCH-45M-E
210	1-11/16	@	INS-SCMH-111-E
	1-3/4	@	INS-SCMH-112-E
	1-15/16	126497	INS-SCH-115-E
	2	@	INS-SCH-200-E
	50mm	@	INS-SCH-50M-E
211	1-15/16	@	INS-SCMH-115-E
	2	@	INS-SCMH-200-E
	2-3/16	126498	INS-SCH-203-E
	2-1/4	@	INS-SCH-204-E
	55mm	@	INS-SCH-55M-E
212	2-3/16	@	INS-SCMH-203-E
	2-1/4	@	INS-SCMH-204-E
	2-7/16	126499	INS-SCH-207-E
	60mm	@	INS-SCH-60M-E

@Assembled to order

SELECTION/DIMENSIONS



Setscrew Ball Bearings SCH-E EXPANSION NORMAL DUTY BEARING INSERTS

Bearing Reference Guide

ULTRA KLEEN

E-Z KLEEN

Extreme Duty

Setscrew Ball Bearing

GRIP TIGHT

D-LOK Ball Bearing

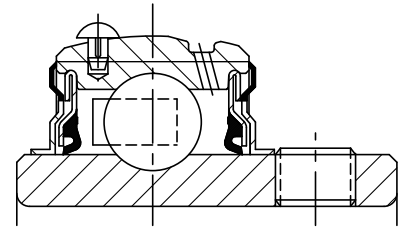
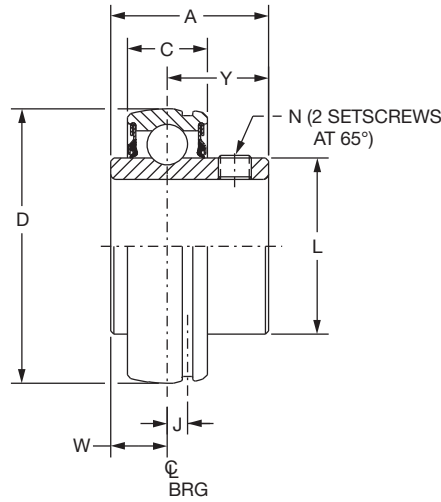
Series	Shaft Size	Weight - Expansion	Weight - Non-Exp	A	B	C	D	E	J	L	N	W	Y
		lbs. kgs.	lbs. kgs.										
205	1	0.69	0.37	1.34	2.500	.059	2.0472	0.77	0.16	1.32	1/4-28	0.56	0.78
	25mm	0.31	0.17	34.0	63.50	15.0	52.000	19.6	4.1	33.5	M6x1	14.2	19.8
206	1	1.29	0.69	1.52	2.875	0.69	2.4409	0.94	0.16	1.57	5/16-24	0.58	0.94
	1-1/16	1.26	0.66										
	1-1/8	1.23	0.63										
	1-3/16	1.20	0.60										
	1-1/4	1.18	0.58										
	30mm	0.54	0.26	38.6	73.03	17.5	62.000	23.9	4.1	39.9	M8x1.25	14.7	23.9
207	1-1/4	1.50	1.02	1.71	3.272	0.75	2.8346	1.00	0.20	1.84	5/16-24	0.67	1.04
	1-5/16	1.49	0.97										
	1-3/8	1.48	0.92										
	1-7/16	1.47	0.86										
	35mm	0.67	0.44	43.4	83.11	19.1	72.000	25.4	5.1	46.7	M8x1.25	17.0	26.4
209	1-1/2	2.51	1.62	1.94	3.813	0.87	3.3465	1.20	0.25	2.22	5/16-24	0.75	1.19
	1-5/8	2.48	1.49										
	1-11/16	2.45	1.43										
	1-3/4	2.43	1.36										
	45mm	1.10	1.30	49.3	96.85	22.1	85.000	30.5	6.4	56.4	M8x1.25	19.1	30.2
210	1-11/16	2.56	1.82	1.94	4.000	0.87	3.5433	1.36	0.25	2.43	3/8-24	0.75	1.19
	1-3/4	2.53	1.74										
	1-15/16	2.50	1.48										
	2	2.48	1.39										
	50mm	1.13	0.67	49.3	101.60	22.1	90.000	34.5	6.4	61.7	M10x1.5	19.1	30.2
211	1-15/16	3.46	2.36	2.22	4.475	0.94	3.9370	1.38	0.25	2.71	3/8-24	0.87	1.35
	2	3.43	2.26										
	2-3/16	3.40	1.97										
	2-1/4	3.38	1.87										
	55mm	1.53	0.89	56.4	113.67	23.9	100.000	35.1	6.4	68.8	M10x1.5	22.1	34.3
212	2-3/16	4.56	2.97	2.31	5.035	1.02	4.3307	1.55	0.25	2.97	3/8-24	0.90	1.41
	2-1/4	4.53	2.85										
	2-7/16	4.50	2.49										
	60mm	2.04	1.13	58.7	127.89	25.9	110.000	39.4	6.4	75.4	M10x1.5	22.9	35.8

FEATURES/BENEFITS PAGE B4-3	HOW TO ORDER/NOMENCLATURE PAGE B4-5	SELECTION PAGE B4-6	ACCESSORIES PAGE B4-98
--------------------------------	--	------------------------	---------------------------

SELECTION/DIMENSIONS



Setscrew Ball Bearings SCM MEDIUM DUTY BEARING INSERTS



Series	Shaft Size	Standard Insert		High Temp	
		Part No.	Description	Part No.	Description
206	1	123419	INS-SCM-100	@	INS-SCM-100-HT
	25mm	125825	INS-SCM-25M	@	INS-SCM-25M-HT
207	1-3/16	123420	INS-SCM-103	@	INS-SCM-103-HT
	1-1/4	123339	INS-SC-104	053776	INS-SC-104-HT
	30mm	125826	INS-SCM-30M	@	INS-SCM-30M-HT
208	1-7/16	123353	INS-SCM-107	049945	INS-SCM-107-HT
	1-1/2#	123342	INS-SC-108	064149	INS-SC-108-HT
	35mm	125828	INS-SCM-35M	@	INS-SCM-35M-HT
209	1-1/2	123354	INS-SCM-108	068889	INS-SCM-108-HT
	1-5/8	045874	INS-SC-110L	@	INS-SC-110L-HT
	40mm	125830	INS-SCM-40M	@	INS-SCM-40M-HT
210	1-11/16	123355	INS-SCM-111	@	INS-SCM-111-HT
	1-3/4	123356	INS-SCM-112	@	INS-SCM-112-HT
	45mm	125832	INS-SCM-45M	@	INS-SCM-45M-HT
211	1-15/16	123357	INS-SCM-115	068404	INS-SCM-115-HT
	2	123358	INS-SCM-200	058157	INS-SCM-200-HT
	50mm	125834	INS-SCM-50M	@	INS-SCM-50M-HT
212	2-3/16	123359	INS-SCM-203	@	INS-SCM-203-HT
	2-1/4	123360	INS-SCM-204	073634	INS-SCM-204-HT
	55mm	125836	INS-SCM-55M	@	INS-SCM-55M-HT
214	2-7/16	123361	INS-SCM-207	056912	INS-SCM-207-HT
	2-1/2	123362	INS-SCM-208	075714	INS-SCM-208-HT
	60mm	125838	INS-SCM-65M	@	INS-SCM-65M-HT
215	2-11/16	123363	INS-SCM-211	@	INS-SCM-211-HT
	70mm	125840	INS-SCM-70M	@	INS-SCM-70M-HT
216	2-15/16	123364	INS-SCM-215	049918	INS-SCM-215-HT
	3	123365	INS-SCM-300	@	INS-SCM-300-HT
	75mm	125842	INS-SCM-75M	@	INS-SCM-75M-HT
218	3-7/16	123366	INS-SCM-307	@	INS-SCM-307-HT
	3-1/2	123367	INS-SCM-308	@	INS-SCM-308-HT
	85mm	125844	INS-SCM-85M	062570	INS-SCM-85M-HT

@ Assembled to order
SCM Piloted Flange Only

FEATURES/BENEFITS PAGE B4-3	HOW TO ORDER/NOMENCLATURE PAGE B4-5	SELECTION PAGE B4-6	ACCESSORIES PAGE B4-98
--------------------------------	--	------------------------	---------------------------

SELECTION/DIMENSIONS



Setscrew Ball Bearings SCM MEDIUM DUTY BEARING INSERTS

Bearing Reference Guide

ULTRA KLEEN

E-Z KLEEN

Extreme Duty

Setscrew Ball Bearing

GRIP TIGHT

D-LOK Ball Bearing

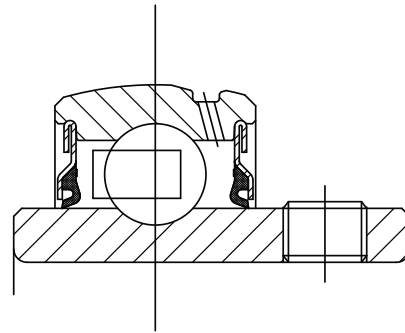
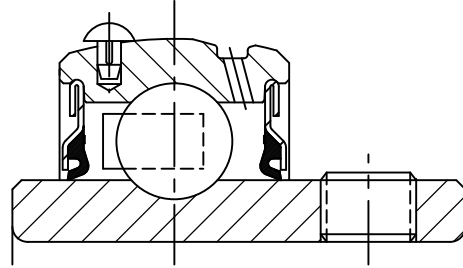
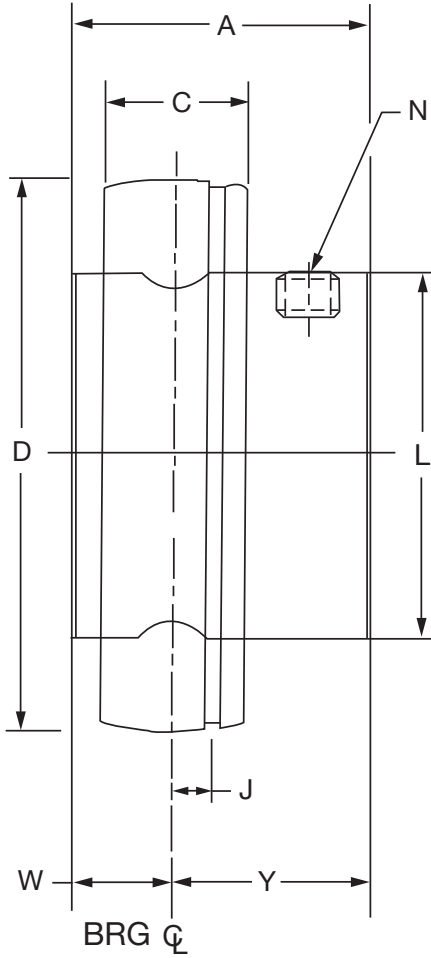
Series	Shaft Size	Weight lbs. kgs.	A	C	D	J	L	N	W	Y
206	1	0.71	1.52	0.69	2.4409	0.16	1.57	5/16-24	0.58	0.94
	25mm	0.32	38.6	17.5	62.000	4.1	39.9	M8x1.25	14.7	23.9
207	1-3/16	1.07	1.71	0.75	2.8346	0.20	1.84	5/16-24	0.67	1.04
	1-1/4	1.02								
	30mm	0.53	43.4	19.1	72.000	5.1	46.7	M8x1.25	17.0	26.4
208	1-7/16	1.32	1.94	0.87	3.1496	0.22	2.05	5/16-24	0.75	1.19
	1-1/2#	1.27								
	35mm	0.60	49.3	22.1	80.000	5.6	52.1	M8x1.25	19.1	30.2
209	1-1/2	1.62	1.94	0.87	3.3465	0.25	2.22	5/16-24	0.75	1.19
	1-5/8	1.49								
	40mm	0.71	49.3	22.1	85.000	6.4	56.4	M8x1.25	19.1	30.2
210	1-11/16	1.82	1.94	0.87	3.5433	0.25	2.43	3/8-24	0.75	1.19
	1-3/4	1.74								
	45mm	0.76	49.3	22.1	90.000	6.4	61.7	M10x1.5	19.1	30.2
211	1-15/16	2.36	2.22	0.94	3.9370	0.25	2.71	3/8-24	0.87	1.35
	2	2.26								
	50mm	1.03	56.4	23.9	100.000	6.4	68.8	M10x1.5	22.1	34.3
212	2-3/16	2.97	2.31	1.02	4.3307	0.25	2.97	3/8-24	0.90	1.41
	2-1/4	2.85								
	55mm	1.27	58.7	25.9	110.000	6.4	75.4	M10x1.5	22.9	35.8
214	2-7/16	4.39	2.54	1.10	4.9213	0.26	3.31	3/8-24	1.06	1.48
	2-1/2	4.25								
	60mm	1.86	64.5	27.9	125.000	6.6	84.1	M10x1.5	26.9	37.6
215	2-11/16	4.49	2.33	1.14	5.1181	0.28	3.62	3/8-24	0.86	1.47
	70mm	1.98	59.2	29.0	130.000	7.1	91.9	M10x1.5	21.8	37.3
216	2-15/16	5.54	2.38	1.18	5.5118	0.29	3.83	3/8-24	0.88	1.50
	3	5.52								
	75mm	2.51	60.5	30.0	140.000	7.4	97.3	M10x1.5	22.4	38.1
218	3-7/16	7.35	2.56	1.34	6.2992	0.30	4.35	3/8-24	0.96	1.60
	3-1/2	7.33								
	85mm	3.33	65.0	34.0	160.000	7.6	110.5	M10x1.5	24.4	40.6

FEATURES/BENEFITS PAGE B4-3	HOW TO ORDER/NOMENCLATURE PAGE B4-5	SELECTION PAGE B4-6	ACCESSORIES PAGE B4-98
--------------------------------	--	------------------------	---------------------------



SELECTION/DIMENSIONS

Setscrew Ball Bearings LF/LFT/SL BEARING INSERTS



ULTRA KLEEN

E-Z KLEEN

Extreme Duty

Setscrew Ball Bearing

GRIP TIGHT

D-LOK Ball Bearing

FEATURES/BENEFITS PAGE B4-3	HOW TO ORDER/NOMENCLATURE PAGE B4-5	SELECTION PAGE B4-6	ACCESSORIES PAGE B4-98
--------------------------------	--	------------------------	---------------------------

SELECTION/DIMENSIONS



Setscrew Ball Bearings LF/LFT/SL BEARING INSERTS

Series	Shaft Size	With Pin		Without Pin	
		Part No.	Description	Part No.	Description
203	1/2	123328	INS-SC-008	389923	INS-SCS-008
	5/8	123329	INS-SC-010	389924	INS-SCS-010
	17mm	125800	INS-SC-17M	125636	INS-SCS-17M
204	3/4	077976	INS-SCP-012	077940	INS-SCS-012
	20mm	077993	INS-SCP-20M	077957	INS-SCS-20M
205	7/8	077977	INS-SCP-014	077941	INS-SCS-014
	15/16	077978	INS-SCP-015	077942	INS-SCS-015
	1	077979	INS-SCP-100	077943	INS-SCS-100
	25mm	077994	INS-SCP-25M	077958	INS-SCS-25M
206	1-1/16	077980	INS-SCP-101	077944	INS-SCS-101
	1-1/8	077981	INS-SCP-102	077945	INS-SCS-102
	1-3/16	077982	INS-SCP-103	077946	INS-SCS-103
	1-1/4	077983	INS-SCP-104S	077947	INS-SCS-104S
	30mm	077995	INS-SCP-30M	077959	INS-SCS-30M
207	1-1/4	077984	INS-SCP-104	077948	INS-SCS-104
	1-5/16	077921	INS-SCP-105	077923	INS-SCS-105
	1-3/8	077985	INS-SCP-106	077949	INS-SCS-106
	1-7/16	077986	INS-SCP-107	077950	INS-SCS-107
	35mm	077996	INS-SCP-35M	077960	INS-SCS-35M

Series	Shaft Size	Weight lbs kg	A	C	D	J	L	N	W	Y	Capacity, lbs	
											Static	Dynamic
203	1/2	0.23	1.00	0.51	1.5748	0.15	0.96	10-32	0.36	0.64	1079	2158
	5/8	0.21										
	17mm	0.10	25.4	13.0	40.000	3.80	24.4	M5x0.8	9.10	16.3		
204	3/4	0.25	1.02	0.58	1.8504	0.15	1.12	1/4-28	0.29	0.73	1482	2899
	20mm	0.11	25.9	14.7	47.000	3.80	28.4	M6x1	7.40	18.5		
205	7/8	0.41	1.06	0.59	2.0472	0.16	1.32	1/4-28	0.30	0.76	1769	3146
	15/16	0.38										
	1	0.25										
206	25mm	0.17	26.9	15.0	52.000	4.10	33.5	M6x1	7.60	19.3	2538	4368
	1-1/16	0.64	1.26	0.69	2.4409	0.16	1.57	5/16-24	0.35	0.91		
	1-1/8	0.61										
	1-3/16	0.58										
207	1-1/4	0.56									3461	5759
	1-1/4	0.25	32.0	17.5	62.000	4.10	39.9	M8x1.25	8.90	23.1		
	30mm	0.25										
	1-1/4	0.92	1.40	0.75	2.8346	0.20	1.84	5/16-24	0.37	1.03		
	1-5/16	0.90										
207	1-3/8	0.88									9.40	26.2
	1-7/16	0.75										
	35mm	0.38	35.6	19.1	72.000	5.10	46.7	M8x1.25	9.40	26.2		

FEATURES/BENEFITS PAGE B4-3	HOW TO ORDER/NOMENCLATURE PAGE B4-5	SELECTION PAGE B4-6	ACCESSORIES PAGE B4-98
--------------------------------	--	------------------------	---------------------------



ACCESSORIES

Setscrew Ball Bearings

LUBRICANTS

DODGE ball bearings are factory lubricated with a lithium complex base lubricant. For applications where extreme ambient temperatures or speeds are anticipated or environmental considerations require a different lubricant, DODGE has a wide variety of lubricants available. Special lubricant options usually require set-up charges and premiums.

SEALS

The PROGUARD PLUS seal is a highly effective positive contact, land riding seal with flingers pressed on to each side of the inner ring offering added protection from wash down or extreme contamination. For high speeds or where seal drag would be an impediment, an all metallic labyrinth seal is available.

HIGH TEMPERATURE

DODGE high temperature bearings are designed to operate in temperatures from 225°F (108°C) to 400°F (205°C). The bearings have adjusted internal clearances, metallic labyrinth seals, high temperature retainers, heat stabilized outer rings, and lubricants to meet the temperature needs of the application. To insure proper replacement, the bearing is identified by a six digit part number etched on a stainless steel nameplate riveted to the housing. The part number identifies the specific feature of the bearing. High temperature bearings are factory assembled to order and are available at extra cost. Consult Dodge Engineering for application assistance at (864)284-5700 or fax (864) 281-2317.

AIR HANDLING

Industrial fans and blowers generally operate at high speeds with bearing requirements of long life and quiet operation. Dodge stocks SC, and SCM Air Handling Pillow Blocks and flange bearings that are specifically designed to meet the requirements of the air handling industry. These bearings are 100% noise tested, and have an air handling fit for long life and quiet operation. These bearings are recommended for fan and blower applications. Sizes and housing configurations not listed can be supplied on a made to order basis.

HOUSING MATERIAL

For extra corrosion resistance, a variety of housing finishes are available. Special materials include stainless steel or polymer housing, as an option. These coatings conform to U.S.D.A. and F.D.A. requirements. SC and SCM inserts can be supplied with a corrosion resistant coating on the inner and outer rings, stainless steel balls and set-screws, and nickel plated flingers as well as F.D.A. lubricant.

OTHER MODIFICATIONS

For applications requiring modifications not listed, we encourage you to contact our Customer Order Engineering Department at (864)284-5700 or fax (864)281-2317.

Bearing Reference Guide

ULTRA KLEEN

E-Z KLEEN

Extreme Duty

Setscrew Ball Bearing

GRIP TIGHT

D-LOK Ball Bearing

FEATURES/BENEFITS PAGE B4-3	HOW TO ORDER/NOMENCLATURE PAGE B4-5	SELECTION PAGE B4-6	SELECTION/DIMENSIONS PAGE B4-12
--------------------------------	--	------------------------	------------------------------------

RELATED PRODUCTS



Setscrew Ball Bearings HIGH TEMPERATURE SC & SCM BALL BEARINGS

Series	Shaft Size	Pillow Blocks		2 Bolt Flanges		4 Bolt Flanges	
		Part No.	Description	Part No.	Description	Part No.	Description
204	1/2	@	P2B-SC-008L-HT	054843	F2B-SC-008L-HT	@	F4B-SC-008L-HT
	5/8	@	P2B-SC-010L-HT	057474	F2B-SC-010L-HT	067710	F4B-SC-010L-HT
	3/4	053670	P2B-SC-012-HT	052618	F2B-SC-012-HT	058263	F4B-SC-012-HT
	20mm	@	<i>P2B-SC-20M-HT</i>	074828	<i>F2B-SC-20M-HT</i>	@	<i>F4B-SC-20M-HT</i>
205	7/8	@	P2B-SC-014-HT	051906	F2B-SC-014-HT	@	F4B-SC-014-HT
	15/16	068088	P2B-SC-015-HT	056864	F2B-SC-015-HT	054190	F4B-SC-015-HT
	1	051513	P2B-SC-100-HT	052294	F2B-SC-100-HT	052015	F4B-SC-100-HT
	25mm	@	<i>P2B-SC-25M-HT</i>	059821	<i>F2B-SC-25M-HT</i>	@	<i>F4B-SC-25M-HT</i>
206	1	054782	P2B-SCM-100-HT	064880	F2B-SCM-100-HT	074530	F4B-SCM-100-HT
	1-1/8	@	P2B-SC-102-HT	062877	F2B-SC-102-HT	068290	F4B-SC-102-HT
	1-3/16	053169	P2B-SC-103-HT	052604	F2B-SC-103-HT	054419	F4B-SC-103-HT
	1-1/4	062829	P2B-SC-104S-HT	@	F2B-SC-104S-HT	049462	F4B-SC-104S-HT
206 (SCU)	30mm	@	<i>P2B-SC-30M-HT</i>	@	<i>F2B-SC-30M-HT</i>	054534	<i>F4B-SC-30M-HT</i>
	1-1/8	@	P2B-SCU-102-HT	-----	-----	-----	-----
	1-3/16	059737	P2B-SCU-103-HT	-----	-----	-----	-----
	1-1/4	057847	P2B-SCU-104S-HT	-----	-----	-----	-----
207	30mm	@	<i>P2B-SCU-30M-HT</i>	-----	-----	-----	-----
	1-3/16	054314	P2B-SCM-103-HT	@	F2B-SCM-103-HT	074223	F4B-SCM-103-HT
	30mm	@	P2B-SCM-30M-HT	059673	F2B-SCM-30M-HT	@	F4B-SCM-30M-HT
	1-1/4	058262	P2B-SC-104-HT	052311	F2B-SC-104-HT	051826	F4B-SC-104-HT
	1-3/8	@	P2B-SC-106-HT	@	F2B-SC-106-HT	068185	F4B-SC-106-HT
	1-7/16	050189	P2B-SC-107-HT	054300	F2B-SC-107-HT	052540	F4B-SC-107-HT
208	1-7/16	052531	P2B-SCB-107-HT	-----	-----	-----	-----
	35mm	@	<i>P2B-SC-35M-HT</i>	@	<i>F2B-SC-35M-HT</i>	s	<i>F4B-SC-35M-HT</i>
	1-7/16	054276	P2B-SCM-107-HT	@	F2B-SCM-107-HT	054342	F4B-SCM-107-HT
	1-1/2	057338	P2B-SC-108-HT	054203	F2B-SC-108-HT	051827	F4B-SC-108-HT
208	1-5/8	@	P2B-SC-110-HT	@	F2B-SC-110-HT	058194	F4B-SC-110-HT
	40mm	062572	<i>P2B-SC-40M-HT</i>	@	<i>F2B-SC-40M-HT</i>	@	<i>F4B-SC-40M-HT</i>

@ Assembled to order.

Bearing Reference Guide

ULTRA KLEEN

E-Z KLEEN

Extreme Duty

Setscrew Ball Bearing

GRIP TIGHT

D-LOK Ball Bearing

FEATURES/BENEFITS PAGE B4-3	HOW TO ORDER/NOMENCLATURE PAGE B4-5	SELECTION PAGE B4-6	ACCESSORIES PAGE B4-98
--------------------------------	--	------------------------	---------------------------

RELATED PRODUCTS



Setscrew Ball Bearings HIGH TEMPERATURE SC & SCM BALL BEARINGS

Series	Shaft Size	Pillow Blocks		2 Bolt Flanges		4 Bolt Flanges	
		Part No.	Description	Part No.	Description	Part No.	Description
209	1-1/2	058380	P2B-SCM-108-HT	054203	F2B-SCM-108-HT	064557	F4B-SCM-108-HT
	1-5/8	@	P2B-SC-110L-HT	@	F2B-SC-110L-HT	@	F4B-SC-110L-HT
	1-11/16	053563	P2B-SC-111-HT	@	F2B-SC-111-HT	057212	F4B-SC-111-HT
	1-11/16	058619	P2B-SCB-111-HT	-----	-----	-----	-----
	1-3/4	062676	P2B-SC-112-HT	062157	F2B-SC-112-HT	051825	F4B-SC-112-HT
	45mm	@	<i>P2B-SC-45M-HT</i>	@	<i>F2B-SC-45M-HT</i>	@	<i>F4B-SC-45M-HT</i>
210	1-11/16	054315	P2B-SCM-111-HT	@	F2B-SCM-111-HT	054593	F4B-SCM-111-HT
	1-3/4	@	P2B-SCM-112-HT	057114	F2B-SCM-112-HT	057368	F4B-SCM-112-HT
	1-15/16	052047	P2B-SC-115-HT	073280	F2B-SC-115-HT	052048	F4B-SC-115-HT
	1-15/16	052532	P2B-SCB-115-HT	-----	-----	-----	-----
	2	058183	P2B-SC-200-HT	062309	F2B-SC-200-HT	057132	F4B-SC-200-HT
	50mm	@	<i>P2B-SC-50M-HT</i>	062779	<i>F2B-SC-50M-HT</i>	068066	<i>F4B-SC-50M-HT</i>
211	1-15/16	052276	P2B-SCM-115-HT	@	F2B-SCM-115-HT	057363	F4B-SCM-115-HT
	2	054934	P2B-SCM-200-HT	@	F2B-SCM-200-HT	054065	F4B-SCM-200-HT
	2-3/16	053955	P2B-SC-203-HT	059954	F2B-SC-203-HT	058852	F4B-SC-203-HT
	2-1/4	073065	P2B-SC-204-HT	@	F2B-SC-204-HT	054918	F4B-SC-204-HT
	55mm	@	<i>P2B-SC-55M-HT</i>	076558	<i>F2B-SC-55M-HT</i>	049894	<i>F4B-SC-55M-HT</i>
	212	2-3/16	054412	P2B-SCM-203-HT	@	F2B-SCM-203-HT	073772
2-1/4		068266	P2B-SCM-204-HT	@	F2B-SCM-204-HT	067830	F4B-SCM-204-HT
2-7/16		059614	P2B-SC-207-HT	@	F2B-SC-207-HT	057487	F4B-SC-207-HT
60mm		057800	<i>P2B-SC-60M-HT</i>	057800	<i>F2B-SC-60M-HT</i>	057801	<i>F4B-SC-60M-HT</i>
214	2-7/16	054316	P2B-SCM-207-HT	-----	-----	054917	F4B-SCM-207-HT
	2-1/2	073006	P2B-SCM-208-HT	-----	-----	056630	F4B-SCM-208-HT
	2-11/16	067774	P2B-SC-211-HT	-----	-----	065700	F4B-SC-211-HT
	70mm	@	<i>P2B-SC-70M-HT</i>	-----	-----	@	<i>F4B-SC-70M-HT</i>
215	2-15/16	056588	P2B-SC-215-HT	-----	-----	052550	F4B-SC-215-HT
	75mm	@	<i>P2B-SC-75M-HT</i>	-----	-----	074237	<i>F4B-SC-75M-HT</i>
216	2-15/16	054556	P2B-SCM-215-HT	-----	-----	052478	F4B-SCM-215-HT
	3	@	P2B-SCM-300-HT	-----	-----	059696	F4B-SCM-300-HT
	75mm	@	<i>P2B-SCM-75M-HT</i>	-----	-----	062182	<i>F4B-SCM-75M-HT</i>
218	3-7/16	049991	P2B-SCM-307-HT	-----	-----	057708	F4B-SCM-307-HT
	3-1/2	@	P2B-SCM-308-HT	-----	-----	058633	F4B-SCM-308-HT

@ Assembled to order.

FEATURES/BENEFITS PAGE B4-3	HOW TO ORDER/NOMENCLATURE PAGE B4-5	SELECTION PAGE B4-6	ACCESSORIES PAGE B4-98
--------------------------------	--	------------------------	---------------------------

RELATED PRODUCTS



Setscrew Ball Bearings HIGH TEMPERATURE SC & SCM BALL BEARINGS

Series	Shaft Size	Tapped Base Pillow Blocks		Flanged Bracket	
		Part Number	Description	Part Number	Description
204	3/4	059636	TB-SC-012-HT	@	FB-SC-012-HT
205	1	057906	TB-SC-100-HT	@	FB-SC-100-HT
207	1-1/4	@	TB-SC-104-HT	056578	FB-SC-104-HT
211	2-3/16	050555	TB-SC-203-HT		

Series	Shaft Size	Non Expansion Pillow Blocks		Expansion Pillow Blocks	
		Part Number	Description	Part Number	Description
206	1-3/16	-----	-----	054063	P2B-SCH-103-EHT
207	1-7/16	053894	P2B-SCH-107-HT	053895	P2B-SCH-107-EHT

Series	Shaft Size	Piloted Flanges	
		Part Number	Description
206	1	058652	FC-SCM-100-HT
208	1-1/2	053871	FC-SC-108-HT
	1-1/2	057683	FC-SCM-108-HT
211	1-15/16	058915	FC-SCM-115-HT
	2-1/4	058233	FC-SC-204-HT
212	2-7/16	058738	FC-SC-207-HT
	55mm	054837	FC-SCM-55M-HT
216	2-15/16	054831	FC-SCM-215-HT
	3	056911	FC-SCM-300-HT
218	3-7/16	068239	FC-SCM-307-HT

Series	Shaft Size	Wide Slot Take-up		Narrow Slot Take-up	
		Part Number	Description	Part Number	Description
210	1-15/16	057265	WSTU-SC-115-HT	054580	NSTU-SC-115-HT
211	55mm	049893	WSTU-SC-55M-HT	@	NSTU-SC-55M-HT
	1-15/16	049891	WSTU-SCM-115-HT	@	NSTU-SCM-115-HT
212	2-7/16	057839	WSTU-SC-207-HT	064237	NSTU-SC-207-HT
214	2-7/16	049811	WSTU-SCM-207-HT	@	-----
215	2-15/16	059844	WSTU-SC-215-HT	@	-----

@ Assembl to order.

FEATURES/BENEFITS PAGE B4-3	HOW TO ORDER/NOMENCLATURE PAGE B4-5	SELECTION PAGE B4-6	ACCESSORIES PAGE B4-98
--------------------------------	--	------------------------	---------------------------



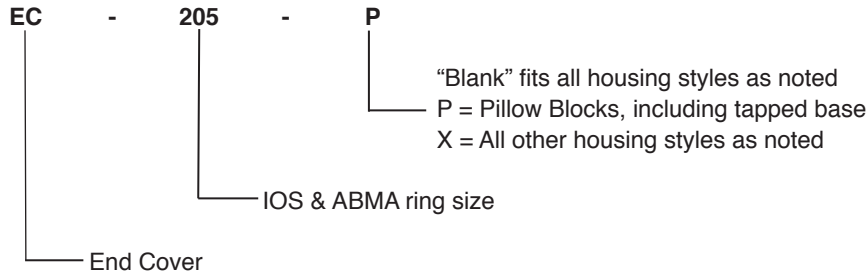
RELATED PRODUCTS

DODGE Ball Bearing End Covers*



- Fits all styles of DODGE cast iron housed ball bearings.: Pillow Blocks, 2 and 4 Bolt Flanges, and Take-Up bearings
- Injected molded, impact resistant, OSHA safety yellow end covers meet requirements for exposed rotating shaft
- Stainless steel “C” washer for gripping power
- No modification or machining of existing housings required
- Concentric knockout grooves on inside of end cover for thru-shaft
- DODGE six digit part number and description embossed inside
- Operating temperature to 250° F
- For non relubricable/sealed for life applications (-NL), part number **430020** hex head plug is available

Nomenclature



Series	Pillow Blocks Std, U, B	Tapped Base PB	2 Bolt Flange	Flanged Bracket	4 Bolt Flange	Piloted	Narrow	Wide
						Flange (FC)	Slot Take-Up	Slot Take-Up
203	X		X		X			
204	X	X	X		X		X	X
205	X	X	X	X	X		X	X
206	X	X	X	X	X	@	X	X
207	X	X	X	X	X	@	X	X
208	X	X	X		X	@	X	X
209	X	X	X		X	@	X	X
210	X	X	X	X	X	@	X	X
211	X	X	X		X	NA	X	X
212	X		X		X	NA	X	X
214	X				X	NA		X
215	X				X			X
216	X				X	X		X
218	X				X	X		

* = Will not fit LF, LFT, SCHB, HNGR & CYL

NA = Will not fit

@ = Some modification required

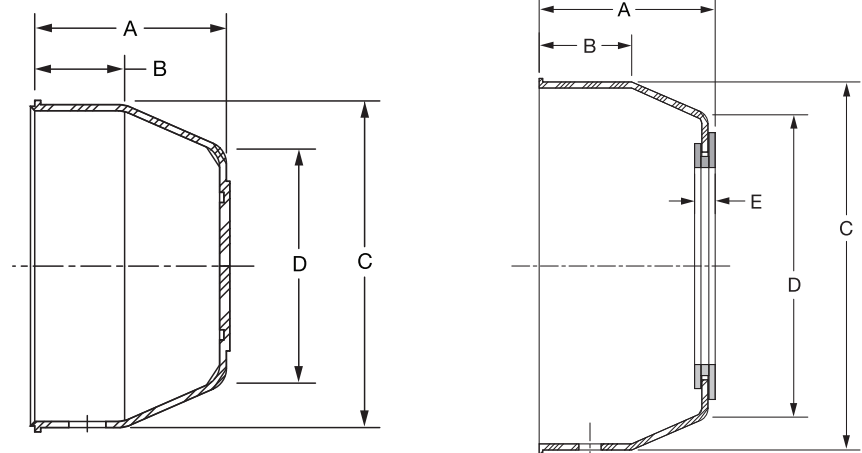
X = Will fit

FEATURES/BENEFITS PAGE B4-3	HOW TO ORDER/NOMENCLATURE PAGE B4-5	SELECTION PAGE B4-6	ACCESSORIES PAGE B4-98
--------------------------------	--	------------------------	---------------------------

RELATED PRODUCTS



Snap On End Covers * END CLOSURES



Series	Closed End Closure	
	Part Number	Description
204	128280	EC-204-Y
205	128281	EC-205-Y
206	128282	EC-206-Y
207	128283	EC-207-Y
208	128284	EC-208-Y
209	128285	EC-209-Y
210	128286	EC-210-Y
211	128277	EC-211-Y
212	128278	EC-212-Y
214	128220	EC-214
215	128221	EC-215
216	128222	EC-216
218	128223	EC-218

Shaft Size	Open End Closure	
	Part Number	Description
3/4 20mm	128350 128363	ECO-012-Y ECO-20M-Y
1 25mm	128351 128364	ECO-100-Y ECO-25M-Y
1-3/16 1-1/4 30mm	128352 128353 128365	ECO-103-Y ECO-104S-Y ECO-30M-Y
1-1/4 1-7/16 35mm	128355 128354 128366	ECO-104-Y ECO-107-Y ECO-35M-Y
1-1/2 40mm	128356 128367	ECO-108-Y ECO-40M-Y
1-11/16 45mm	128357 128368	ECO-111-Y ECO-45M-Y
1-15/16 50mm	128358 128369	ECO-115-Y ECO-50M-Y
1-15/16 2	079702 079701	ECO-115 (211) † ECO-200 (211) †
2-3/16 2-1/4 50mm	079700 079699 079698	ECO-203 (211) ECO-204 (211) ECO-50M (211) †
55mm	079697	ECO-55M (211) †
2-3/16 2-1/4	079696 079695	ECO-203 (212) † ECO-204 (212) †
2-7/16 55mm	079694 079693	ECO-207 (212) ECO-55M (212) †
60mm	079692	ECO-60M (212) †
2-7/16 2-1/2	127328 127329	ECO-207 (214) † ECO-208 (214) †
2-11/16 65mm	127330 127337	ECO-211 (214) ECO-65M (214) †
70mm	127338	ECO-70M (214) †
2-11/16 2-15/16	127331 127332	ECO-211 (215) † ECO-215 (215) †
70mm	127339	ECO-70M (215) †
75mm	127340	ECO-75M (215) †
2-15/16 3	127333 127334	ECO-215 (216) † ECO-300 (216) †
75mm	127340	ECO-75M (216) †
3-7/16 3-1/2	127335 127336	ECO-307 (218) † ECO-308 (218) †
85MM	127342	ECO-85M (218) †
90MM	127343	ECO-90M (218) †

All P2B, F2B, F4B: 204 Series Through 218 Series Closed; 204 Series Through 218 Series Open * Will not fit LF, LFT, CYL, HNG, SCHB; † SCM Series only

FEATURES/BENEFITS PAGE B4-3	HOW TO ORDER/NOMENCLATURE PAGE B4-5	SELECTION PAGE B4-6	ACCESSORIES PAGE B4-98
--------------------------------	--	------------------------	---------------------------



RELATED PRODUCTS

Open Cover Dimensions

Series	Shaft Size	A	B	C	D	E
204	3/4	1.19	0.53	1.91	1.38	0.19
	20mm	30.2	13.5	48.4	35.1	4.9
205	1	1.25	0.53	2.17	1.61	0.19
	25mm	31.8	13.5	55.1	40.9	4.9
206	1-3/16	1.39	0.56	2.50	0.97	0.19
	1-1/4					
	30mm	35.3	14.2	63.5	50.0	4.9
207	1-1/4	1.53	0.69	2.91	2.31	0.19
	1-7/16					
208	35mm	38.9	17.5	73.9	58.9	4.9
	1-1/2	1.59	0.69	3.31	2.77	0.20
209	40mm	40.6	17.5	84.1	70.1	5.1
	1-11/16	1.66	0.72	3.50	2.88	0.20
210	45mm	41.9	18.3	88.9	72.9	5.1
	1-15/16	1.72	0.91	3.63	3.00	0.20
211	50mm	43.7	23.1	91.4	76.2	5.1
	1-15/16	1.80	0.97	3.94	3.30	0.21
	2					
2-3/16	45.5	24.6	100.1	83.6	5.3	
2-1/4						
212	50mm	1.91	1.00	4.38	3.66	0.21
	55mm					
	60mm	48.3	25.4	111.3	92.7	5.3
214	2-3/16	3.00	1.50	4.90	3.75	0.30
	2-1/4					
	2-7/16	76.2	38.1	124.5	95.3	5.3
215	70mm	3.00	1.50	5.20	4.00	0.30
	75mm					
	2-11/16	76.2	38.1	132.1	101.6	5.3
216	2-15/16	3.00	1.50	5.50	4.38	0.30
	3					
218	75mm	76.2	38.1	139.7	111.1	5.3
	3-7/16	3.09	1.50	6.25	5.00	0.30
	3-1/2					
	85mm	78.6	38.1	158.8	127.0	5.3
	90mm					

RELATED PRODUCTS



Closed Cover Dimensions

Series	Shaft Size	A	B	C	D
204	3/4	1.13	0.53	1.91	1.38
	20mm	28.7	13.5	48.4	35.1
205	1	1.19	0.53	2.17	1.61
	25mm	30.2	13.5	55.1	40.9
206	1-3/16	1.33	0.56	2.50	0.97
	1-1/4				
	30mm	33.8	14.2	63.5	50.0
207	1-1/4	1.47	0.69	2.91	2.31
	1-7/16				
208	35mm	37.3	17.5	73.9	58.9
	1-1/2	1.55	0.69	3.31	2.77
209	40mm	39.1	17.5	84.1	70.1
	1-11/16	1.59	0.72	3.50	2.88
210	45mm	40.4	18.3	88.9	72.9
	1-15/16	1.66	0.91	3.62	3.00
211	50mm	42.2	23.1	91.4	76.2
	1-15/16	1.80	0.97	3.94	3.30
	2				
	2-3/16				
2-1/4	45.5	24.6	100.1	83.6	
212	55mm	1.91	1.00	4.38	3.66
	2-3/16				
	2-1/4				
214	2-7/16	3.00	1.50	4.90	3.75
	2-1/2				
	2-11/16	76.2	38.1	124.5	95.3
	65mm	70mm	76.2	38.1	124.5
215	2-11/16	3.00	1.50	5.20	4.00
	2-15/16				
	70mm	76.2	38.1	132.1	101.6
216	75mm	3.00	1.50	5.50	4.38
	2-15/16				
218	3	3.09	1.50	6.25	5.00
	75mm				
	3-7/16	3.09	1.50	6.25	5.00
218	3-1/2	3.09	1.50	6.25	5.00
	85mm				
	90mm	78.6	38.1	158.8	127.0

Bearing Reference Guide

ULTRA KLEEN

E-Z KLEEN

Extreme Duty

Setscrew Ball Bearing

GRIP TIGHT

D-LOK Ball Bearing

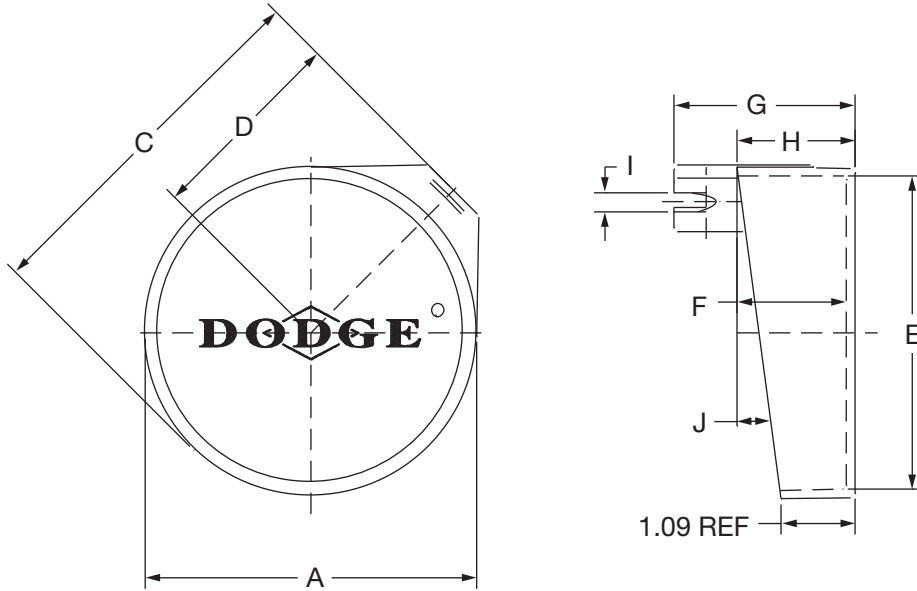
FEATURES/BENEFITS PAGE B4-3	HOW TO ORDER/NOMENCLATURE PAGE B4-5	SELECTION PAGE B4-6	ACCESSORIES PAGE B4-98
--------------------------------	--	------------------------	---------------------------

RELATED PRODUCTS



DODGE Ball Bearing End Covers*

BALL BEARING END COVERS FOR PILLOW BLOCKS & TAPPED BASE UNITS



Series	Shaft Size*		Part Number	Description
	SC, VSC, DL, XR, SXV	SCM, DLM, SCH, SXRH, DLH		
203	1/2 & 5/8 17mm	-----	128200	EC-203-P
204	1/2 - 3/4 20mm	-----	128202	EC-204-P
205	7/8 - 1 25mm	-----	128204	EC-205-P
206	1-1/16 - 1-1/4 30mm	1 25mm	128206	EC-206-P
207	1-1/4 - 1-7/16 35mm	1-3/16 & 1-1/4 30mm	128208	EC-207-P
208	1-1/2 - 1-5/8 40mm	1-7/16 35mm	128210	EC-208-P
209	1-5/8 - 1-3/4 45mm	1-1/2 40mm	128212	EC-209-P
210	1-15/16 & 2 50mm	1-11/16 & 1-3/4 45mm	128214	EC-210-P
211	2 - 2-1/4 55mm	1-15/16 & 2 50mm	128216	EC-211-P
212	2-1/4 - 2-7/16 60mm	2-3/16 - 2-1/4 55mm	128218	EC-212-P

*NOTE: SCH, SXRH, and DLH use the next larger end cover. E.g. A P2B-DLH-103 would use a EC-207-P.
For no re-lube (_NL) applications, part number 430020, hex head plus is available

FEATURES/BENEFITS PAGE B4-3	HOW TO ORDER/NOMENCLATURE PAGE B4-5	SELECTION PAGE B4-6	ACCESSORIES PAGE B4-98
--------------------------------	--	------------------------	---------------------------

RELATED PRODUCTS



DODGE Ball Bearing End Covers* BALL BEARING END COVERS FOR PILLOW BLOCKS & TAPPED BASE UNITS

Bearing Reference Guide

ULTRA KLEEN

E-Z KLEEN

Extreme Duty

Setscrew Ball Bearing

GRIP TIGHT

D-LOK Ball Bearing

Series	Shaft Size*		A	B	C	D	E	F	G	H	I	J
	SC, VSC, DL, SXR, SXV	SCM, DLM, SCH, SXRH, DLH										
203	1/2 & 5/8 17mm	-----	1-25/32 45.2	1-43/64 42.4	2-7/64 53.6	1-3/32 27.7	1-41/64 41.7	49/64 19.56	1-29/64 37.1	29/32 22.9	1/4 6.4	9°
204	1/2 - 3/4 20mm	-----	2-3/64 52.0	1-27/32 46.7	2-37/64 65.3	1-19/64 33.0	1-55/64 47.2	1-1/64 25.65	1-49/64 45.0	1-5/32 29.5	5/16 7.9	11°
205	7/8 - 1 25mm	-----	2-3/8 60.2	2-3/16 55.6	2-13/16 71.4	1-3/16 35.0	2-5/32 54.9	1-1/16 26.92	1-7/8 47.8	1-7/32 31.0	11/32 8.6	9°
206	1-1/16 - 1-1/4 30mm	1 25mm	2-47/64 69.3	2-17/32 64.3	3-21/64 84.3	1-45/64 43.2	2-1/2 63.5	1-15/64 31.5	2-5/32 54.9	1-13/32 35.6	23/64 8.9	9°
207	1-1/4 - 1-7/16 35mm	1-3/16 & 1-1/4 30mm	3-1/4 82.6	3 76.20	3-51/64 96.3	1-29/32 48.5	3-1/64 76.7	1-5/16 33.27	2-11/32 59.4	1-31/64 37.6	3/8 9.4	7° 3'
208	1-1/2 - 1-5/8 40mm	1-7/16 35mm	3-3/8 85.9	3-1/8 79.5	4 101.60	2-1/16 52.3	3-7/64 79.0	1-19/64 33.02	2-13/32 61.0	1-1/2 38.1	27/64 10.7	6°
209	1-5/8 - 1-3/4 45mm	1-1/2 40mm	3-11/16 93.7	3-15/32 88.1	4-17/64 108.2	2-11/64 55.1	3-13/32 86.6	1-21/64 33.78	2-21/64 59.2	1-17/32 38.9	25/64 9.9	7°
210	1-15/16 & 2 50mm	1-11/16 & 1-3/4 45mm	3-7/8 98.6	3-37/64 90.9	4-1/2 114.3	2-19/32 59.2	3-37/64 90.9	1-23/64 34.29	2-1/2 63.5	1-9/16 39.6	31/64 12.5	9°
211	2 - 2-1/4 55mm	1-15/16 & 2 50mm	4-27/64 12.3	4 101.60	5-1/16 128.5	2-19/32 66.0	4-1/8 104.7	1-13/32 35.81	2-37/64 65.3	1-5/8 41.2	29/64 11.4	7°
212	2-1/4 - 2-7/16 60mm	2-3/16 - 2-1/4 55mm	4-59/64 125.0	4-15/32 113.3	5-29/64 138.7	2-3/4 69.9	4-39/64 117.1	1-17/32 38.86	2-11/16 68.3	1-3/4 44.5	13/32 10.4	8°

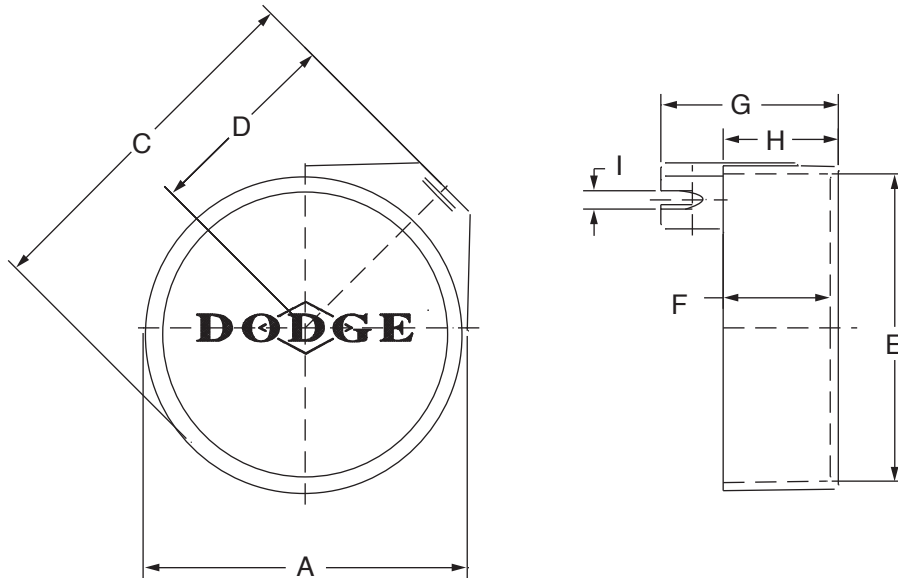
FEATURES/BENEFITS PAGE B4-3	HOW TO ORDER/NOMENCLATURE PAGE B4-5	SELECTION PAGE B4-6	ACCESSORIES PAGE B4-98
--------------------------------	--	------------------------	---------------------------

RELATED PRODUCTS



DODGE Ball Bearing End Covers*

BALL BEARING END COVERS FOR MOUNTED UNITS OTHER THAN PILLOW BLOCKS & TAPPED BASE UNITS



Series	Shaft Size*		Part Number	Description
	SC, VSC, DL, SXR, SXV	SCM & DLM		
203	1/2 & 5/8 17mm	-----	128201	EC-203-X
204	1/2 - 3/4 20mm	-----	128203	EC-204-X
205	7/8 - 1 25mm	-----	128205	EC-205-X
206	1-1/16 - 1-1/4 30mm	1 25mm	128207	EC-206-X
207	1-1/4 - 1-7/16 35mm	1-3/16 & 1-1/4 30mm	128209	EC-207-X
208	1-1/2 - 1-5/8 40mm	1-7/1 35mm	128211	EC-208-X
209	1-5/8 - 1-3/4 45mm	1-1/2 40mm	128213	EC-209-X
210	1-15/16 & 2 50mm	1-11/16 & 1-3/4 45mm	128215	EC-210-X
211	2 - 2-1/4 55mm	1-15/16 & 2 50mm	128217	EC-211-X
212	2-1/4 - 2-7/16 60mm	2-3/16 - 2-1/4 55mm	128219	EC-212-X

***NOTE:** Above end covers will not fit the LF and LFT bearings
For no re-lube (_NL) applications, part number 430020, hex head plus is available

FEATURES/BENEFITS PAGE B4-3	HOW TO ORDER/NOMENCLATURE PAGE B4-5	SELECTION PAGE B4-6	ACCESSORIES PAGE B4-98
--------------------------------	--	------------------------	---------------------------

RELATED PRODUCTS



DODGE Ball Bearing End Covers*

BALL BEARING END COVERS FOR MOUNTED UNITS OTHER THAN PILLOW BLOCKS & TAPPED BASE UNITS

Bearing Reference Guide
 ULTRA KLEEN
 E-Z KLEEN
 Extreme Duty
 Setscrew Ball Bearing
 GRIP TIGHT
 D-LOK Ball Bearing

Series	Shaft Size*		Weight lbs gm	A	B	C	D	E	F	G	H	I
	SC, VSC, DL, SXR, SXV	SCM & DLM										
203	1/2 - 5/8	-----	0.02	1-51/64	1-43/64	2-13/64	1-3/16	1-41/64	51/64	1-29/64	15/16	1/4
	17mm	-----	1	45.5	42.4	56.1	30.2	41.7	20.3	37.1	23.9	6.4
204	1/2 - 3/4	-----	0.03	2-7/32	2	2-47/64	1-25/64	2-1/32	1-1/64	1-13/16	1-5/32	5/16
	20mm	-----	15	56.1	50.8	69.6	35.3	51.6	25.7	45.7	29.5	7.9
205	7/8 - 1	-----	0.05	2-3/8	2-3/16	3-3/64	1-19/32	2-5/32	1-1/64	1-53/64	1-11/64	11/32
	25mm	-----	24	60.2	55.6	77.2	40.6	54.9	25.7	46.5	29.7	8.7
206	1-1/16 - 1-1/4	1	0.08	2-47/64	2-17/32	3-21/64	1-45/64	2-1/2	1-3/16	2-1/16	1-23/64	23/64
	30mm	25mm	36	69.3	64.3	84.3	43.2	63.5	30.2	52.3	34.5	8.9
207	1-1/4 - 1-7/16	1-3/16 & 1-1/4	0.12	3-1/4	3	3-27/32	1-31/32	3-1/64	1-11/32	2-11/32	1-17/32	3/8
	35mm	30mm	53	82.6	76.2	97.5	50.0	76.7	34.5	59.4	38.9	9.4
208	1-1/2 - 1-5/8	1-7/16	0.14	3-3/8	3-1/8	4	2-1/16	3-7/64	1-19/64	2-13/32	1-1/2	27/64
	40mm	35mm	64	85.9	79.5	101.60	52.3	79.0	33.0	61.0	38.1	10.7
209	1-5/8 - 1-3/4	1-1/2	0.16	3-11/16	3-15/32	4-17/64	2-11/64	3-13/32	1-23/64	2-21/64	1-17/32	25/64
	45mm	40mm	73	93.7	88.1	108.2	55.1	86.6	34.3	59.2	38.9	9.9
210	1-15/16 & 2	1-11/16 & 1-3/4	0.18	3-7/8	3-37/64	4-1/2	2-21/64	3-9/16	1-23/64	2-33/64	1-9/16	31/64
	50mm	45mm	82	98.6	90.9	114.3	59.2	90.9	34.3	63.8	39.6	12.4
211	2 - 2-1/4	1-15/16 & 2	0.24	4-27/64	4	5-1/16	2-19/32	4-1/8	1-29/64	2-37/64	1-21/32	29/64
	55mm	50mm	108	112.3	101.6	128.5	66.0	104.7	36.8	65.3	42.2	11.4
212	2-1/4 - 2-7/16	2-3/16 - 2-1/4	0.27	4-59/64	4-15/32	5-15/32	2-3/4	4-39/64	1-35/64	2-11/16	1-3/4	13/32
	60mm	55mm	124	125	113.3	138.7	69.9	117.1	39.1	68.3	44.5	10.4

FEATURES/BENEFITS PAGE B4-3	HOW TO ORDER/NOMENCLATURE PAGE B4-5	SELECTION PAGE B4-6	ACCESSORIES PAGE B4-98
--------------------------------	--	------------------------	---------------------------



NOTES

Bearing Reference
Guide

ULTRA KLEEN

E-Z KLEEN

Extreme Duty

Setscrew Ball Bearing

GRIP TIGHT

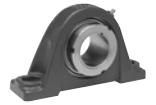
D-LOK Ball Bearing

CONTENTS



GRIP TIGHT® Ball Bearings

Features / Benefits	B5-2
How to Order / Nomenclature	B5-4
Selection	B5-5
Selection/Dimensions	
GRIP TIGHT Pillow Blocks	
GT Normal Duty	B5-8
GTAH Air Handling	B5-12
GTB Normal Duty	B5-16
GTH-E Expansion	B5-18
GTM Medium Duty	B5-20
GTMAH Air Handling	B5-22
GT Tapped Base	B5-24
GRIP TIGHT 2-Bolt Flanges	
GT Normal Duty	B5-26
GTAH Air Handling	B5-28
GTM Medium Duty	B5-30
GT LFT Normal Duty	B5-32
GT Normal Duty Flanged Bracketed	B5-33
GRIP TIGHT 3-Bolt Flanges	
GT LF Normal Duty	B5-34
GRIP TIGHT 4-Bolt Flanges	
GT Normal Duty	B5-35
GTAH Air Handling	B5-38
GTM Medium Duty	B5-42
GTMAH Air Handling	B5-44
GRIP TIGHT Piloted Flanges (Flanged Cartridge)	
GT Normal Duty	B5-46
GTM Medium Duty	B5-48
GRIP TIGHT Take-Up Bearings	
GT Normal Duty Narrow Slot	B5-50
GTM Medium Duty Narrow Slot	B5-52
GT Normal Duty Wide Slot	B5-54
GTM Medium Duty Wide Slot	B5-58
GT Normal Duty Top Angle	B5-60
GTM Medium Duty Top Angle	B5-61
GRIP TIGHT Inserts	
GT Normal Duty	B5-62
GTM Medium Duty	B5-66
Related Products	B5-70
Part Number Index	INDEX-1
Key Word Index	KEYWORD-1



FEATURES/BENEFITS

Bearing Reference Guide

ULTRA KLEEN

E-Z KLEEN

Extreme Duty

Setscrew Ball Bearing

GRIP TIGHT

D-LOK Ball Bearing

GRIP TIGHT® Adapter Ball Bearings

DODGE proudly offers a ball bearing with a name that says it all: GRIP TIGHT.

With its patented pull/push adapter system, fully concentric 360° inner ring, and completely interchangeable housing design, the DODGE GRIP TIGHT adapter ball bearing is the easy-on/easy-off solution for damage-free shafting, reduced vibration, and greater cost/inventory savings.

The GRIP TIGHT adapter ball bearing is shaft-ready right out of the box and offered in a variety of housing styles for normal and medium duty operations. It accommodates commercial grade and some undersize shafting to lower costs, and all GRIP TIGHT adapter assemblies fit into a standard DODGE ball bearing housing.

Plus this DODGE bearing has been specifically engineered to run at higher speeds and operate cooler for longer grease life.

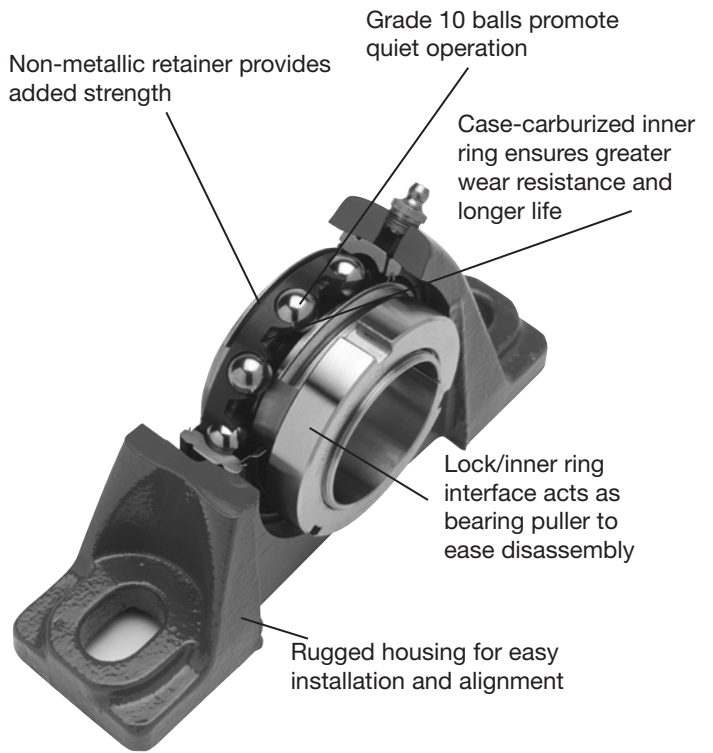
In test comparisons, the GRIP TIGHT adapter ball bearing even proved it could suppress fretting corrosion and scarring to shafts and journals, thus saving not only time but added labor/maintenance costs.

Easy-On / Easy-Off

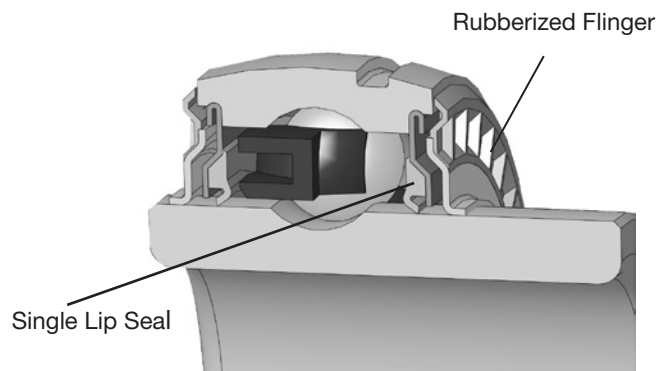
During mounting, the patent pending collar/inner ring system locks the tapered adapter sleeve under the bearing and onto the shaft. To dismount, the built in bearing puller pulls the bearing off the adapter and pushes the adapter in the opposite direction (out from under the bearing).

DualGuard Seal

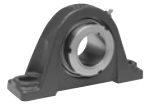
- Mechanically retained single lip seal for added strength
 - Purgeable design
 - Nitrile rubber lip
 - Keeps out contaminants
- Rubberized flinger
 - Dodge-only technology
 - Rubberized flinger provides external protection and discards contaminants as it rotates
 - Molded baffles in flinger act like a paddle wheel to help deflect liquids
 - Molded rubber increases the radius of the flinger which increases the acceleration rate of the contaminants as they are thrown away from the bearing



- Rubber molding on the flinger is extended to the outer race of the bearing providing better protection than non-rubberized versions



Note: Instruction manuals and drawings for Dodge bearings are available on www.dodge-pt.com



FEATURES/BENEFITS

GRIP TIGHT® Adapter Ball Bearings

Housing Styles

Off the shelf and shaft ready, the DODGE GRIP TIGHT adapter ball bearing is offered for normal and medium duty in a variety of housing styles, including pillow block; tapped base; two-, three-, and four-bolt flange, piloted flange; take-up, and E-Z KLEEN design.



Less Product Inventory for Significant Savings

With DODGE GRIP TIGHT adapter ball bearings, you can reduce your inventory as much as 25% - 45%. Rather than stocking a complete line of individual bore sizes for each housing style, you can now purchase a housing assembly and adapters separately, with the adapter determining the bore size within a housing series.



Damage Free Shafting

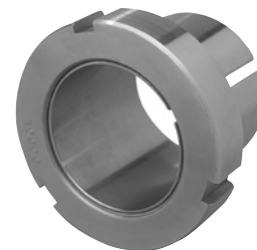
The new DODGE GRIP TIGHT adapter bearing features a unique adapter-mount design that is specifically developed to withstand axial forces that are generated during mounting or dismounting. The adapter provides superior holding power, as well as suppresses fretting corrosion and vibration.

In test comparisons, a setscrew mounted bearing promotes shaft fretting corrosion and scarring. But the new DODGE GRIP TIGHT adapter bearing comes off the shaft quickly and reveals no shaft fretting corrosion or scarring. There is no need to recondition your shaft so you save time and avoid added labor/maintenance.



Full Contact on Shaft for Better Grip, Less Vibration

Setscrew locking can distort the inner ring and cause system induced vibration. But with the new DODGE GRIP TIGHT adapter, the adapter attaches itself to the shaft for full concentric contact 360° through the length of the bearing.



Note: Instruction manuals and drawings for Dodge bearings are available on www.dodge-pt.com



HOW TO ORDER/NOMENCLATURE

GRIP TIGHT

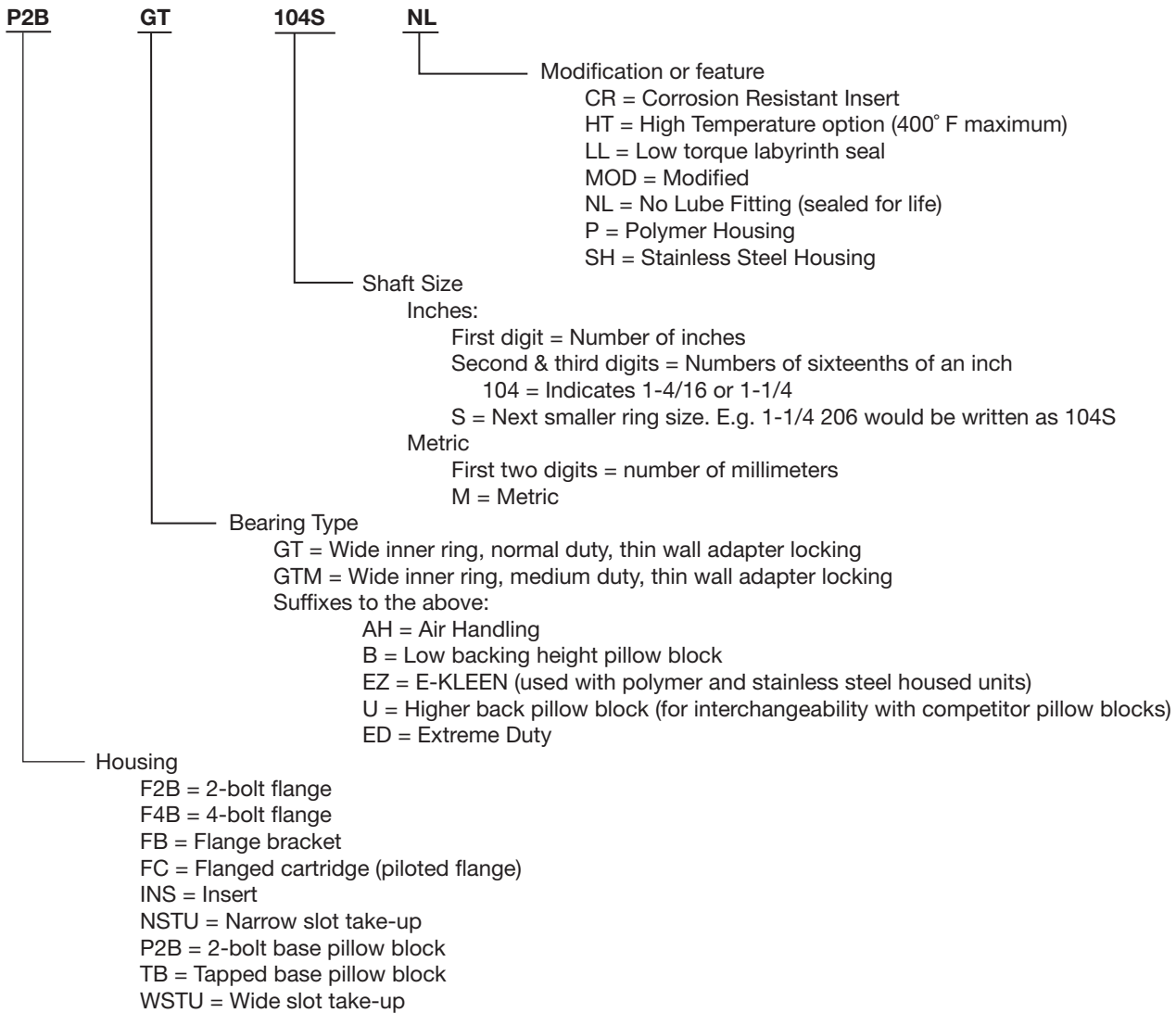
Thin Wall Adapter Ball Bearings

There are two ways to specify DODGE Bearings. Most of the product offerings have part numbers with listings shown throughout this catalog. Use of the part numbers ensures accurate order processing.

When part numbers are not shown, the product may be specified by description or part name.

This method is used when ordering units that include modifications or options. To order by description, use the nomenclature key shown below and add any special instructions to the end of the description for options not covered by the nomenclature.

Nomenclature





SELECTION

GRIP TIGHT Adapter Ball Bearings

DODGE mounted ball bearings are primarily designed for radial loading. However, they have the capacity to carry thrust loads and combined radial/thrust loads. The maximum recommended load which can be applied is limited by various components in the system, such as bearing, housing, shaft attachments, speed and life requirements. DODGE mounted ball bearings have been applied successfully when these limits have been exceeded under controlled operating conditions. Contact DODGE Engineering for applications which exceed these recommendations.

Select a bearing from the Selection Chart that has a radial load rating at the operating speed equal to or greater than the calculated Equivalent Radial load for a desired L_{10} life. This simple method is all that is required for the majority of general applications and provides for occasional average shock loads.

L_{10} Hours Life-is the life which may be expected for at least 90% of a given group of bearings operating under identical conditions. For an L_{10} hours life other than those listed in the Selection Chart, multiply the equivalent Radial load by one of the following factors. For 50,000 L_{10} hours life, use a factor of 1.18 and for 80,000, use 1.39. Then select a bearing from the bold face (30,000) L_{10} ratings only in the Selection Chart that has a rating equal to or greater than this value.

Heavy Service-For heavy shock loads, frequent shock loads or severe vibrations, add up to 50% (according to severity of conditions) to the Equivalent Radial Load to obtain a Modified Equivalent Radial Load. Consult Application Engineering for additional selection assistance.

A thrust load value of $C/10$ is recommended as a guide for general applications and will give adequate L_{10} life. Where substantial radial load pulls the housing away from the mounting base, both the hold-down bolts and housing must be of adequate strength. Auxiliary load carrying devices, such as shear bars, are advisable for side or end-loading of pillow blocks and radial loads for flange units.

To determine the L_{10} hours life for loads and RPM's not listed use the following equation:

$$L_{10} = \left(\frac{C}{P}\right)^3 \times \frac{16,667}{N}$$

Where:

L_{10} = Life, hours

C = Dynamic Capacity, lbs. or N

P = Equivalent Radial Load, lbs. or N

N = Revolutions per minute

When the load on a ball bearing is solely a radial load with no thrust (axial) load, the Equivalent Radial Load (P) is equal to the actual radial load. However, when a thrust (axial) load is applied, the radial and thrust loads applied must be converted into an Equivalent Radial Load. The use of the X (radial factor) and Y (thrust factor) from Table 1 convert the actual applied thrust and radial loads to an Equivalent Radial Load which has the same effect on the life of a bearing as a radial load of this magnitude.

$$P = (X \times F_R) + (Y \times F_A)$$

Where:

P = Equivalent Radial Load, lbs.

F_R = Radial load, lbs.

F_A = Thrust load, lbs.

e = Thrust load to radial load factor (Table 1)

X = Radial load factor (Table 1)

Y = Thrust Factor (Table 1)

C_0 = Basic static capacity

To find X and Y, first calculate F_A/C_0 to determine e. Calculate F_A/F_R and compare to e to determine the X and Y factors to use from Table 1.

Substitute all known values into the Equivalent Radial Load equation. The Equivalent Radial loads (P) thus determined can be used in the L_{10} life formula or compared to the allowable Equivalent Radial Load rating desired in the expanded rating chart to select a bearing (Table 2).

If calculated value of P is less than F_R , use $P=F_R$.

Table 1:

F_A / C_0	e	Radial/Thrust Factors			
		If F_A/F_R is equal to or less than e		If F_A/F_R is greater than e	
		$F_A/F_R \leq e$		$F_A/F_R > e$	
		X	Y	X	Y
0.014	0.19	1	0	0.56	2.30
0.021	0.21	1	0	0.56	2.15
0.028	0.22	1	0	0.56	1.99
0.042	0.24	1	0	0.56	1.85
0.056	0.26	1	0	0.56	1.71
0.070	0.27	1	0	0.56	1.63
0.084	0.28	1	0	0.56	1.55
0.110	0.30	1	0	0.56	1.45
0.170	0.34	1	0	0.56	1.31
0.280	0.38	1	0	0.56	1.15
0.420	0.42	1	0	0.56	1.04
0.560	0.44	1	0	0.56	1.00

Lubrication-DODGE Ball Bearings are lubricated at the factory and are ready to run. The bearings are initially lubricated with a lithium complex based grease and should be relubricated with the same or some equivalent. For high speeds, high loads, extreme temperatures and other abnormal operating conditions, special greases may be required. Contact DODGE Application Engineering for recommendations on these types of applications.

Misalignment-DODGE Ball Bearings are designed to allow a maximum of $\pm 2^\circ$ static misalignment. These bearings are not suitable for dynamic misalignment. To ensure good alignment, mounting surfaces must be checked for flatness and must lie in the same plane. When tightening base bolts, each bolt should be alternately tightened in incremental torque values until full torque is achieved to prevent the angular shifting of the pillow block that occurs when one bolt is tightened to its full torque. Shimming may be required to minimize misalignment.

Suggested Lubrication Intervals in Weeks

Hours Run Per Day	RPM							
	1 to 250	251 to 500	501 to 750	751 to 1000	1001 to 1500	1501 to 2000	2001 to 2500	2501 to Max.
8	12	12	10	7	5	4	3	2
16	12	7	5	4	2	2	1	1
24	10	5	3	2	1	1	1	1

Shaft Tolerances

Normal Shaft Size Inches	Commercial Shaft Tolerances Inches	Recommended Shaft Tolerances GRIP TIGHT Ball Bearings Inches
Up to 1-1/2	+0.000 -0.002	+0.000 -0.002
Over 1-1/2" to 2-1/2	+0.000 -0.003	+0.000 -0.003
Over 2-1/2	+0.000 -0.004	+0.000 -0.004

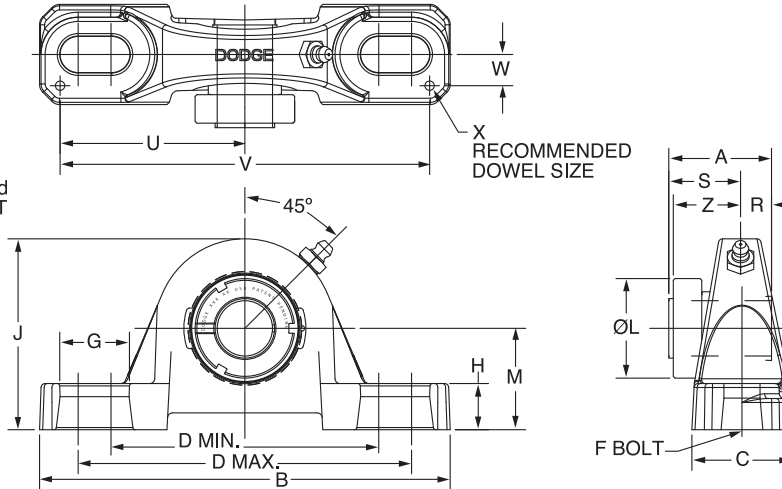
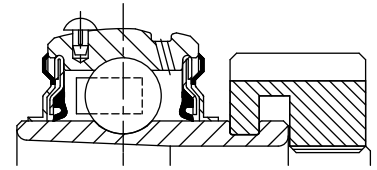
Note: Bearing analysis program "BEST" is available on www.ptwizard.com

FEATURES/BENEFITS PAGE B5-2	HOW TO ORDER/NOMENCLATURE PAGE B5-4	SELECTION/DIMENSIONS PAGE B5-8	RELATED PRODUCTS PAGE B5-70
--------------------------------	--	-----------------------------------	--------------------------------

SELECTION/DIMENSIONS



GRIP TIGHT Adapter Ball Bearings GT NORMAL DUTY PILLOW BLOCKS



Lube Fitting Thread Size -
203 Series - 1/4-28 Tapered Thread
204 Series and Larger - 1/8-27 NPT

Series	Shaft Size	Complete Unit		Unit without Adapter Sleeve & Lock Nut		Adapter Sleeve & Lock Nut Assembly	
		Part No.	Description	Part No.	Description	Part No.	Description
203	1/2	129150	P2B-GT-008	129420	P2B-GT-03	136588	AN-GT-03-008-D
	5/8	129151	P2B-GT-010			136521	AN-GT-03-010-D
	17mm	129203	P2B-GT-17M			136589	AN-GT-03-17M-D
203 (GTU)	1/2	129152	P2B-GTU-008	129432	P2B-GTU-03	136588	AN-GT-03-008-D
	5/8	129153	P2B-GTU-010			136521	AN-GT-03-010-D
	17mm	129204	P2B-GTU-17M			136589	AN-GT-03-17M-D
204	3/4	129154	P2B-GT-012	129421	P2B-GT-04	136522	AN-GT-04-012-D
	20mm	129205	P2B-GT-20M			136553	AN-GT-04-20M-D
205	7/8	129155	P2B-GT-014	129422	P2B-GT-05	136590	AN-GT-05-014-D
	15/16	129156	P2B-GT-015			136523	AN-GT-05-015-D
	1	129157	P2B-GT-100			136524	AN-GT-05-100-D
	25mm	129206	P2B-GT-25M			136554	AN-GT-05-25M-D
206	1-1/8	129158	P2B-GT-102	129423	P2B-GT-06	136525	AN-GT-06-102-D
	1-3/16	129159	P2B-GT-103			136526	AN-GT-06-103-D
	1-1/4	129160	P2B-GT-104S			136527	AN-GT-06-104S-D
	30mm	129207	P2B-GT-30M			136555	AN-GT-06-30M-D
206 (GTU)	1-1/8	129841	P2B-GTU-102	129419	P2B-GTU-06	136525	AN-GT-06-102-D
	1-3/16	129842	P2B-GTU-103			136526	AN-GT-06-103-D
	1-1/4	129843	P2B-GTU-104S			136527	AN-GT-06-104-D
	30mm	129208	P2B-GTU-30M			136555	AN-GT-06-30M-D
207	1-1/4	129161	P2B-GT-104	129424	P2B-GT-07	136528	AN-GT-07-104-D
	1-3/8	129162	P2B-GT-106			136591	AN-GT-07-106-D
	1-7/16	129163	P2B-GT-107			136529	AN-GT-07-107-D
	35mm	129209	P2B-GT-35M			136556	AN-GT-07-35M-D

FEATURES/BENEFITS PAGE B5-2	HOW TO ORDER/NOMENCLATURE PAGE B5-4	SELECTION PAGE B5-5	RELATED PRODUCTS PAGE B5-70
--------------------------------	--	------------------------	--------------------------------

SELECTION/DIMENSIONS



GRIP TIGHT Adapter Ball Bearings GT NORMAL DUTY PILLOW BLOCKS

Bearing Reference Guide

ULTRA KLEEN

E-Z KLEEN

Extreme Duty

Setscrew Ball Bearing

GRIP TIGHT

D-LOK Ball Bearing

Series	Shaft Size	Weight lbs kg	A	B	C	D		F Bolt Dia.	G	H	J	L	M	R#	S#	U	V	W	X*	Z
						min.	max.													
203	1/2	1.5	1.29	5.00	1.20	3.25	4.06	3/8	0.84	0.47	2.14	1.40	1.06	0.40	0.89	2.25	4.50	0.38	0.12	0.90
	5/8	1.5																		
	17mm	0.6	32.8	127.0	30.5	82.6	103.1	M10	21.3	11.9	54.4	35.6	27.0	10.2	22.6	57.2	114.3	9.7	3.0	22.9
203 (GTU)	1/2	1.7	1.29	5.00	1.20	3.25	4.06	3/8	0.84	0.59	2.27	1.40	1.19	0.40	0.89	2.25	4.50	0.38	0.12	0.90
	5/8	1.6																		
	17mm	0.7	32.8	127.0	30.5	82.6	103.1	M10	21.3	15.0	57.7	35.6	30.2	10.2	22.6	57.2	114.3	9.7	3.0	22.9
204	3/4	2.1	1.48	5.25	1.34	3.38	4.19	3/8	0.85	0.53	2.56	1.50	1.31	0.46	1.02	2.25	4.50	0.50	0.12	1.03
	20mm	1.0	37.6	133.4	34.0	85.9	106.4	M10	21.6	13.5	65.0	38.1	33.3	11.7	25.9	57.2	114.3	12.7	3.0	26.2
205	7/8	2.3	1.46	5.50	1.40	3.69	4.50	3/8	0.85	0.58	2.77	1.80	1.44	0.48	0.98	2.50	5.00	0.50	0.12	1.00
	15/16	2.3																		
	1	2.3																		
206	25mm	1.1	37.1	139.7	35.6	93.7	114.3	M10	21.6	14.7	70.4	45.7	36.5	12.2	24.9	63.5	127.0	12.7	3.0	25.4
	1-1/8	3.7	1.61	6.25	1.75	4.25	5.00	1/2	0.94	0.68	3.25	2.08	1.63	0.52	1.09	2.88	5.76	0.56	0.12	1.13
	1-3/16	3.6																		
	1-1/4	3.6																		
206 (GTU)	30mm	1.7	40.9	158.8	44.5	108.0	127.0	M12	23.9	17.3	82.6	52.8	41.3	13.2	27.7	73.2	146.3	14.2	3.0	28.7
	1-1/8	3.8	1.61	6.25	1.75	4.25	5.00	1/2	0.94	0.75	3.31	2.08	1.69	0.52	1.09	2.88	5.76	0.56	0.12	1.13
	1-3/16	3.7																		
	1-1/4	3.7																		
207	30mm	1.7	40.9	158.8	44.5	108.0	127.0	M12	23.9	19.1	84.1	52.8	42.9	13.2	27.7	73.2	146.3	14.2	3.0	28.7
	1-1/4	4.9	1.62	6.50	1.75	4.68	5.44	1/2	0.94	0.71	3.75	2.38	1.88	0.54	1.08	2.91	5.82	0.56	0.12	1.14
	1-3/8	4.9																		
	1-7/16	4.8																		
207	35mm	2.2	41.1	165.1	44.5	118.9	138.2	M12	23.9	18.0	95.3	60.5	47.6	13.7	27.4	73.9	147.8	14.2	3.0	29.0

* Only 1 pillow block can be dowel pinned per shaft

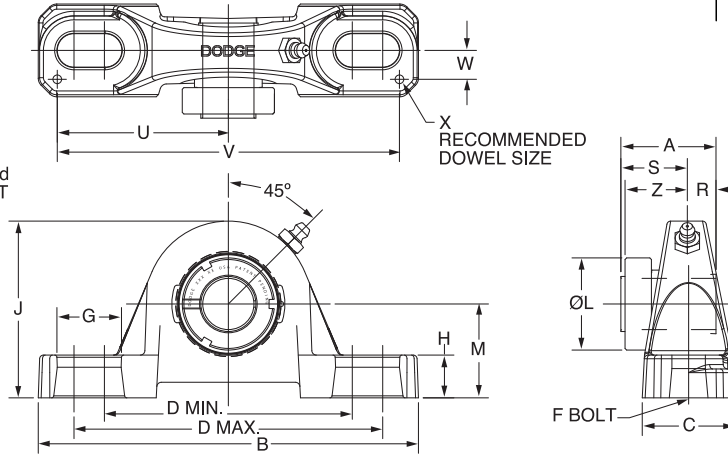
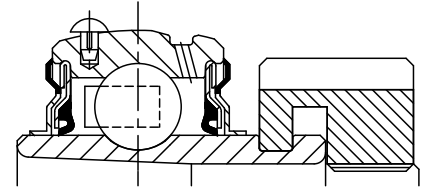
R & S Dimensions will vary slightly depending on true shaft diameter

FEATURES/BENEFITS PAGE B5-2	HOW TO ORDER/NOMENCLATURE PAGE B5-4	SELECTION PAGE B5-5	RELATED PRODUCTS PAGE B5-70
--------------------------------	--	------------------------	--------------------------------

SELECTION/DIMENSIONS



GRIP TIGHT Adapter Ball Bearings GT NORMAL DUTY PILLOW BLOCKS



Lube Fitting Thread Size -
203 Series - 1/4-28 Tapered Thread
204 Series and Larger - 1/8-27 NPT

X
RECOMMENDED
DOWEL SIZE

Series	Shaft Size	Complete Unit		Unit without Adapter Sleeve & Lock Nut		Adapter Sleeve & Lock Nut Assembly	
		Part No.	Description	Part No.	Description	Part No.	Description
208	1-1/2	129164	P2B-GT-108	129425	P2B-GT-08	136530	AN-GT-08-108-D
	1-5/8	129371	P2B-GT-110			136592	AN-GT-08-110-D
	40mm	129149	P2B-GT-40M			136593	AN-GT-08-40M-D
209	1-5/8	129165	P2B-GT-110L	129426	P2B-GT-09	136531	AN-GT-09-110L-D
	1-11/16	129166	P2B-GT-111			136532	AN-GT-09-111-D
	1-3/4	129167	P2B-GT-112			136533	AN-GT-09-112-D
	45mm	129211	P2B-GT-45M			136557	AN-GT-09-45M-D
210	1-15/16	129168	P2B-GT-115	129427	P2B-GT-10	136534	AN-GT-10-115-D
	2	129169	P2B-GT-200			136535	AN-GT-10-200-D
	50mm	129212	P2B-GT-50M			136558	AN-GT-10-50M-D
211	2	129224	P2B-GTM-200	129428	P2B-GT-11	136600	AN-GTM-11-200-D
	2-3/16	129170	P2B-GT-203			136536	AN-GT-11-203-D
	2-1/4	129376	P2B-GT-204			136537	AN-GT-11-204-D
	55mm	129213	P2B-GT-55M			136559	AN-GT-11-55M-D
212	2-1/4	129226	P2B-GTM-204	129429	P2B-GT-12	136601	AN-GTM-12-204-D
	2-7/16	129171	P2B-GT-207			136538	AN-GT-12-207-D
	60mm	129214	P2B-GT-60M			136594	AN-GT-12-60M-D
214	2-1/2	129228	P2B-GTM-208	129430	P2B-GT-14	136548	AN-GTM-14-208-D
	2-11/16	129172	P2B-GT-211			136539	AN-GT-14-211-D
	70mm	129215	P2B-GT-70M			136560	AN-GT-14-70M-D
215	2-15/16	129173	P2B-GT-215	129431	P2B-GT-15	136540	AN-GT-15-215-D
	3	@	P2B-GT-300			136595	AN-GT-15-300-D
	75mm	129216	P2B-GT-75M			136596	AN-GT-15-75M-D
215 (GTU)	2-15/16	068726	P2B-GTU-215	068727	P2B-GTU-15	136540	AN-GT-15-215-D
	3	@	P2B-GTU-300			136595	AN-GT-15-300-D
	75mm	@	P2B-GTU-75M			136596	AN-GT-15-75M-D

@ Assembled To Order

FEATURES/BENEFITS PAGE B5-2	HOW TO ORDER/NOMENCLATURE PAGE B5-4	SELECTION PAGE B5-5	RELATED PRODUCTS PAGE B5-70
--------------------------------	--	------------------------	--------------------------------

SELECTION/DIMENSIONS



GRIP TIGHT Adapter Ball Bearings GT NORMAL DUTY PILLOW BLOCKS

Bearing Reference Guide

ULTRA KLEEN

E-Z KLEEN

Extreme Duty

Setscrew Ball Bearing

GRIP TIGHT

D-LOK Ball Bearing

Series	Shaft Size	Weight lbs kg	A	B	C	D		F Bolt Dia.	G	H	J	L	M	R#	S#	U	V	W	X*	Z	
						min.	max.														
208	1-1/2	6.0	1.84	7.25	1.93	5.18	5.88	1/2	0.91	0.93	4.19	2.62	2.13	0.61	1.23	3.26	6.52	0.69	0.12	1.23	
	1-5/8	5.8																			
	40mm	2.7	46.7	184.2	49.0	131.6	149.4	M12	23.1	23.6	106.4	66.5	54.0	15.5	31.2	82.8	165.6	17.5	3.0	31.2	
209	1-5/8	6.8	1.85	7.44	2.00	5.50	6.19	1/2	0.90	0.75	4.28	2.86	2.13	0.62	1.23	3.38	6.76	0.69	0.12	1.26	
	1-11/16	6.8																			
	1-3/4	6.7																			
210	45mm	3.1	47.0	189.0	50.8	139.7	157.2	M12	22.9	19.1	108.7	72.6	54.0	15.7	31.2	85.9	171.7	17.5	3.0	32.0	
	1-15/16	8.5	1.86	8.12	2.25	6.00	6.68	5/8	1.02	0.75	4.53	3.13	2.25	0.63	1.23	3.69	7.38	0.81	0.12	1.26	
	2	8.4																			
211	50mm	3.9	47.2	206.2	57.2	152.4	169.7	M16	25.9	19.1	115.1	79.5	57.2	16.0	31.2	93.7	187.5	20.6	3.0	32.0	
	2	12.2	1.93	8.88	2.30	6.38	7.44	5/8	1.21	0.88	4.96	3.43	2.50	0.67	1.26	3.94	7.88	0.81	0.12	1.32	
	2-3/16	11.8																			
212	2-1/4	17.5	2.12	9.50	2.37	6.88	7.94	5/8	1.21	0.88	5.40	3.69	2.75	0.73	1.39	4.25	8.50	0.88	0.12	1.46	
	2-7/16	17.2																			
	60mm	7.0	53.8	241.3	60.2	174.8	201.7	M16	30.7	22.4	137.2	93.7	69.9	18.5	35.3	108.0	215.9	22.4	3.0	37.1	
214	2-1/2	19.4	2.39	10.75	2.69	7.50	8.50	3/4	1.32	0.94	6.09	4.00	3.00	0.84	1.55	4.88	9.76	0.94	0.12	1.58	
	2-11/16	19.3																			
	70mm	8.9	60.7	273.1	68.3	190.5	215.9	M18	33.5	23.9	154.7	101.6	76.2	21.3	39.4	124.0	247.9	23.9	3.0	40.1	
215	2-15/16	25.2	2.46	11.75	2.88	8.50	9.50	7/8	1.44	1.00	6.75	4.44	3.50	0.86	1.60	5.48	10.96	1.04	0.12	1.60	
	3	25.0																			
	75mm	10.1	62.5	298.5	73.2	215.9	241.3	M22	36.6	25.4	171.5	112.8	88.9	21.8	40.6	139.2	278.4	26.4	3.0	40.6	
215 (GTU)	2-15/16	24.9	2.46	11.75	2.88	8.50	9.50	7/8	1.44	1.00	6.50	4.44	3.25	0.86	1.60	5.48	10.96	1.04	0.12	1.60	
	3	24.7																			
	75mm	10.0	62.5	298.5	73.2	215.9	241.3	M22	36.6	25.4	165.1	112.8	82.6	21.8	40.6	139.2	278.4	26.4	3.0	40.6	

* Only 1 pillow block can be dowel pinned per shaft

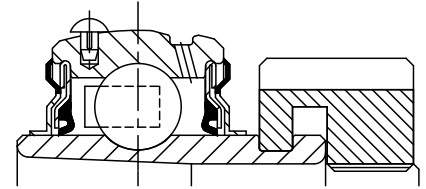
R & S Dimensions will vary slightly depending on true shaft diameter

FEATURES/BENEFITS PAGE B5-2	HOW TO ORDER/NOMENCLATURE PAGE B5-4	SELECTION PAGE B5-5	RELATED PRODUCTS PAGE B5-70
--------------------------------	--	------------------------	--------------------------------

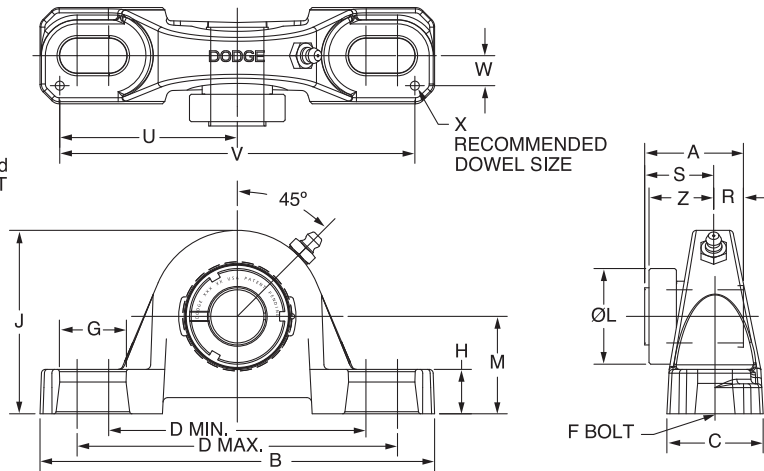
SELECTION/DIMENSIONS



GRIP TIGHT Adapter Ball Bearings GTAH AIR HANDLING NORMAL DUTY PILLOW BLOCKS



Lube Fitting Thread Size -
203 Series - 1/4-28 Tapered Thread
204 Series and Larger - 1/8-27 NPT



Series	Shaft Size	Complete Unit		Unit without Adapter Sleeve & Lock Nut		Adapter Sleeve & Lock Nut Assembly	
		Part No.	Description	Part No.	Description	Part No.	Description
203	1/2	@	P2B-GTAH-008	062993	P2B-GTAH-03	136588	AN-GT-03-008-D
	5/8	067713	P2B-GTAH-010			136521	AN-GT-03-010-D
	17mm	@	P2B-GTAH-17M			136589	AN-GT-03-17M-D
203 (GTU)	1/2	@	P2B-GTUAH-008	077417	P2B-GTUAH-03	136588	AN-GT-03-008-D
	5/8	077416	P2B-GTUAH-010			136521	AN-GT-03-010-D
	17mm	@	P2B-GTUAH-17M			136589	AN-GT-03-17M-D
204	3/4	129174	P2B-GTAH-012	129442	P2B-GTAH-04	136522	AN-GT-04-012-D
	20mm	068622	P2B-GTAH-20M			136553	AN-GT-04-20M-D
205	7/8	@	P2B-GTAH-014	129443	P2B-GTAH-05	136590	AN-GT-05-014-D
	15/16	@	P2B-GTAH-015			136523	AN-GT-05-015-D
	1	129175	P2B-GTAH-100			136574	AN-GT-05-100-D
	25mm	062978	P2B-GTAH-25M			136554	AN-GT-05-25M-D
206	1-1/8	067865	P2B-GTAH-102	129399	P2B-GTAH-06	136525	AN-GT-06-102-D
	1-3/16	129176	P2B-GTAH-103			136526	AN-GT-06-103-D
	1-1/4	@	P2B-GTAH-104S			136527	AN-GT-06-104S-D
206 (GTU)	30mm	@	P2B-GTAH-30M	129452	P2B-GTUAH-06	136555	AN-GT-06-30M-D
	1-1/8	067865	P2B-GTUAH-102			136525	AN-GT-06-102-D
	1-3/16	129177	P2B-GTUAH-103			136526	AN-GT-06-103-D
	1-1/4	@	P2B-GTUAH-104S			136527	AN-GT-06-104S-D
207	30mm	@	P2B-GTUAH-30M	129444	P2B-GTAH-07	136555	AN-GT-06-30M-D
	1-1/4	067910	P2B-GTAH-104			136528	AN-GT-07-104-D
	1-3/8	073960	P2B-GTAH-106			136591	AN-GT-07-106-D
	1-7/16	129178	P2B-GTAH-107			136529	AN-GT-07-107-D
	35mm	@	P2B-GTAH-35M			136556	AN-GT-07-35M-D

@ Assembled to order

FEATURES/BENEFITS PAGE B5-2	HOW TO ORDER/NOMENCLATURE PAGE B5-4	SELECTION PAGE B5-5	RELATED PRODUCTS PAGE B5-70
--------------------------------	--	------------------------	--------------------------------

SELECTION/DIMENSIONS



GRIP TIGHT Adapter Ball Bearings GTAH AIR HANDLING NORMAL DUTY PILLOW BLOCKS

Series	Shaft Size	Weight lbs kg	A	B	C	D		F Bolt Dia.	G	H	J	L	M	R#	S#	U	V	W	X*	Z	
						min.	max.														
203	1/2	1.6	1.29	5.00	1.20	3.25	4.06	3/8	0.84	0.47	2.14	1.40	1.06	0.40	0.89	2.25	4.50	0.38	0.12	0.90	
	5/8	1.5																			
	17mm	0.6	32.8	127.0	30.5	82.6	103.1	M10	21.3	11.9	54.4	35.6	27.0	10.2	22.6	57.2	114.3	9.7	3.0	22.9	
203 (GTU)	1/2	1.7	1.29	5.00	1.20	3.25	4.06	3/8	0.84	0.59	2.27	1.40	1.19	0.40	0.89	2.25	4.50	0.38	0.12	0.90	
	5/8	1.6																			
	17mm	0.7	32.8	127.0	30.5	82.6	103.1	M10	21.3	15.0	57.7	35.6	30.2	10.2	22.6	57.2	114.3	9.7	3.0	22.9	
204	3/4	2.1	1.48	5.25	1.34	3.38	4.19	3/8	0.85	0.53	2.56	1.50	1.31	0.46	1.02	2.25	4.50	0.50	0.12	1.03	
	20mm	1.0	37.6	133.4	34.0	85.9	106.4	M10	21.6	13.5	65.0	38.1	33.3	11.7	25.9	57.2	114.3	12.7	3.0	26.2	
205	7/8	2.3	1.46	5.50	1.40	3.69	4.50	3/8	0.85	0.58	2.77	1.80	1.44	0.48	0.98	2.50	5.00	0.50	0.12	1.00	
	15/16	2.3																			
	1 25mm	2.3 1.1	37.1	139.7	35.6	93.7	114.3	M10	21.6	14.7	70.4	45.7	36.5	12.2	24.9	63.5	127.0	12.7	3.0	25.4	
206	1-1/8	3.7	1.61	6.25	1.75	4.25	5.00	1/2	0.94	0.68	3.25	2.08	1.63	0.52	1.09	2.88	5.76	0.56	0.12	1.13	
	1-3/16	3.6																			
	1-1/4	3.6																			
	30mm	1.7	40.9	158.8	44.5	108.0	127.0	M12	23.9	17.3	82.6	52.8	41.3	13.2	27.7	73.2	146.3	14.2	3.0	28.7	
206 (GTU)	1-1/8	3.8	1.61	6.25	1.75	4.25	5.00	1/2	0.94	0.75	3.31	2.08	1.69	0.52	1.09	2.88	5.76	0.56	0.12	1.13	
	1-3/16	3.7																			
	1-1/4	3.7																			
	30mm	1.7	40.9	158.8	44.5	108.0	127.0	M12	23.9	19.1	84.1	52.8	42.9	13.2	27.7	73.2	146.3	14.2	3.0	28.7	
207	1-1/4	4.9	1.62	6.50	1.75	4.68	5.44	1/2	0.94	0.71	3.75	2.38	1.88	0.54	1.08	2.91	5.82	0.56	0.12	1.14	
	1-3/8	4.9																			
	1-7/16	4.8																			
	35mm	2.2	41.1	165.1	44.5	118.9	138.2	M12	23.9	18.0	95.3	60.5	47.6	13.7	27.4	73.9	147.8	14.2	3.0	29.0	

* Only 1 pillow block can be dowel pinned per shaft

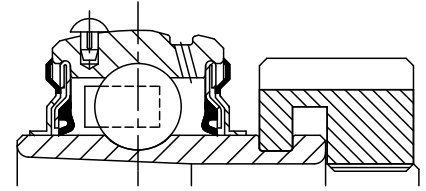
R & S Dimensions will vary slightly depending on true shaft diameter

FEATURES/BENEFITS PAGE B5-2	HOW TO ORDER/NOMENCLATURE PAGE B5-4	SELECTION PAGE B5-5	RELATED PRODUCTS PAGE B5-70
--------------------------------	--	------------------------	--------------------------------

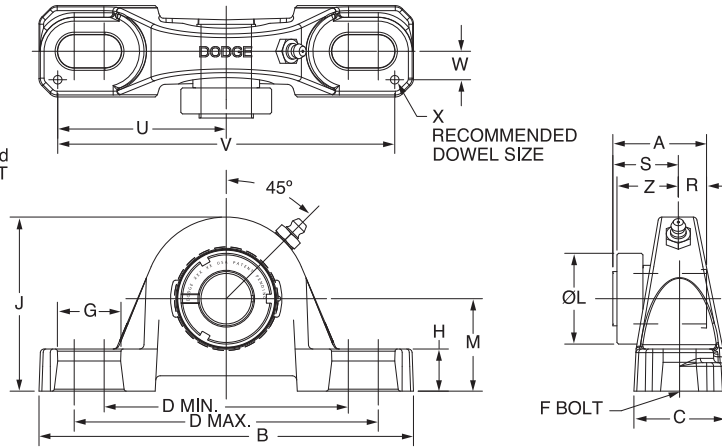
SELECTION/DIMENSIONS



GRIP TIGHT Adapter Ball Bearings GTAH AIR HANDLING NORMAL DUTY PILLOW BLOCKS



Lube Fitting Thread Size -
203 Series - 1/4-28 Tapered Thread
204 Series and Larger - 1/8-27 NPT



Series	Shaft Size	Complete Unit		Unit without Adapter Sleeve & Lock Nut		Adapter Sleeve & Lock Nut Assembly	
		Part No.	Description	Part No.	Description	Part No.	Description
208	1-1/2	065620	P2B-GTAH-108	129445	P2B-GTAH-08	136530	AN-GT-08-108-D
	1-5/8	@	P2B-GTAH-110			136592	AN-GT-08-110-D
	40mm	076763	P2B-GTAH-40M			136593	AN-GT-08-40M-D
209	1-5/8	064841	P2B-GTAH-110L	129446	P2B-GTAH-09	136531	AN-GT-09-110L-D
	1-11/16	129179	P2B-GTAH-111			136532	AN-GT-09-111-D
	1-3/4	@	P2B-GTAH-112			136533	AN-GT-09-112-D
	45mm	074353	P2B-GTAH-45M			136557	AN-GT-09-45M-D
210	1-15/16	129180	P2B-GTAH-115	129447	P2B-GTAH-10	136534	AN-GT-10-115-D
	2	@	P2B-GTAH-200			136535	AN-GT-10-200-D
	50mm	068715	P2B-GTAH-50M			136558	AN-GT-10-50M-D
211	2	@	P2B-GTMAH-200	129448	P2B-GTAH-11	136600	AN-GTM-11-200-D
	2-3/16	129181	P2B-GTAH-203			136536	AN-GT-11-203-D
	2-1/4	@	P2B-GTAH-204			136537	AN-GT-11-204-D
	55mm	068683	P2B-GTAH-55M			136559	AN-GT-11-55M-D
212	2-1/4	@	P2B-GTMAH-204	129449	P2B-GTAH-12	136601	AN-GTM-12-204-D
	2-7/16	129182	P2B-GTAH-207			136538	AN-GT-12-207-D
	60mm	@	P2B-GTAH-60M			136594	AN-GT-12-60M-D
214	2-1/2	068865	P2B-GTMAH-208	129450	P2B-GTAH-14	136547	AN-GTM-14-208-D
	2-11/16	062958	P2B-GTAH-211			136548	AN-GT-14-211-D
	70mm	067777	P2B-GTAH-70M			136568	AN-GT-14-70M-D
215	2-15/16	064463	P2B-GTAH-215	062682	P2B-GTAH-15	136540	AN-GT-15-215-D
	3	@	P2B-GTAH-300			136595	AN-GT-15-300-D
	75mm	@	P2B-GTAH-75M			136596	AN-GT-15-75M-D
215 (GTU)	2-15/16	062861	P2B-GTUAH-215	062862	P2B-GTUAH-15	136540	AN-GT-15-215-D
	3	@	P2B-GTUAH-300			136595	AN-GT-15-300-D
	75mm	@	P2B-GTUAH-75M			136596	AN-GT-15-75M-D

@ Assembled to order

FEATURES/BENEFITS PAGE B5-2	HOW TO ORDER/NOMENCLATURE PAGE B5-4	SELECTION PAGE B5-5	RELATED PRODUCTS PAGE B5-70
--------------------------------	--	------------------------	--------------------------------

SELECTION/DIMENSIONS



GRIP TIGHT Adapter Ball Bearings GTAH AIR HANDLING NORMAL DUTY PILLOW BLOCKS

Bearing Reference Guide

ULTRA KLEEN

E-Z KLEEN

Extreme Duty

Setscrew Ball Bearing

GRIP TIGHT

D-LOK Ball Bearing

Series	Shaft Size	Weight lbs kg	A	B	C	D		F Bolt Dia.	G	H	J	L	M	R#	S#	U	V	W	X*	Z
						min.	max.													
208	1-1/2	6.0	1.84	7.25	1.93	5.18	5.88	1/2	0.91	0.93	4.19	2.62	2.13	0.61	1.23	3.26	6.52	0.69	0.12	1.23
	1-5/8	5.9																		
	40mm	2.7	46.7	184.2	49.0	131.6	149.4	M12	23.1	23.6	106.4	66.5	54.0	15.5	31.2	82.8	165.6	17.5	3.0	31.2
209	1-5/8	6.8	1.85	7.44	2.00	5.50	6.19	1/2	0.90	0.75	4.28	2.86	2.13	0.62	1.23	3.38	6.76	0.69	0.12	1.26
	1-11/16	6.8																		
	1-3/4 45mm	3.1	47.0	189.0	50.8	139.7	157.2	M12	22.9	19.1	108.7	72.6	54.0	15.7	31.2	85.9	171.7	17.5	3.0	32.0
210	1-15/16	8.5	1.86	8.12	2.25	6.00	6.68	5/8	1.02	0.75	4.53	3.13	2.25	0.63	1.23	3.69	7.38	0.81	0.12	1.26
	2	8.4																		
	50mm	3.9	47.2	206.2	57.2	152.4	169.7	M16	25.9	19.1	115.1	79.5	57.2	16.0	31.2	93.7	187.5	20.6	3.0	32.0
211	2	12.2	1.93	8.88	2.30	6.38	7.44	5/8	1.21	0.88	4.96	3.43	2.50	0.67	1.26	3.94	7.88	0.81	0.12	1.32
	2-3/16	11.8																		
	2-1/4 55mm	5.6	49.0	225.6	58.4	162.1	189.0	M16	30.7	22.4	126.0	87.1	63.5	17.0	32.0	100.1	200.2	20.6	3.0	33.5
212	2-1/4	17.5	2.12	9.50	2.37	6.88	7.94	5/8	1.21	0.88	5.40	3.69	2.75	0.73	1.39	4.25	8.50	0.88	0.12	1.46
	2-7/16	17.2																		
	60mm	7.0	53.8	241.3	60.2	174.8	201.7	M16	30.7	22.4	137.2	93.7	69.9	18.5	35.3	108.0	215.9	22.4	3.0	37.1
214	2-1/2	19.4	2.39	10.75	2.69	7.50	8.50	3/4	1.32	0.94	6.09	4.00	3.00	0.84	1.55	4.88	9.76	0.94	0.12	1.58
	2-11/16	19.3																		
	70mm	8.9	60.7	273.1	68.3	190.5	215.9	M18	33.5	23.9	154.7	101.6	76.2	21.3	39.4	124.0	247.9	23.9	3.0	40.1
215	2-15/16	25.2	2.46	11.75	2.88	8.50	9.50	7/8	1.44	1.00	6.75	4.44	3.50	0.86	1.60	5.48	10.96	1.04	0.12	1.60
	3	25.0																		
	75mm	10.1	62.5	298.5	73.2	215.9	241.3	M22	36.6	25.4	171.5	112.8	88.9	21.8	40.6	139.2	278.4	26.4	3.0	40.6
215 (GTU)	2-15/16	24.9	2.46	11.75	2.88	8.50	9.50	7/8	1.44	1.00	6.50	4.44	3.25	0.86	1.60	5.48	10.96	1.04	0.12	1.60
	3 75mm	11.4	62.5	298.5	73.2	215.9	241.3	M22	36.6	25.4	165.1	112.8	82.6	21.8	40.6	139.2	278.4	26.4	3.0	40.6

* Only 1 pillow block can be dowel pinned per shaft

R & S Dimensions will vary slightly depending on true shaft diameter

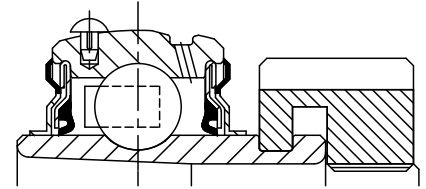
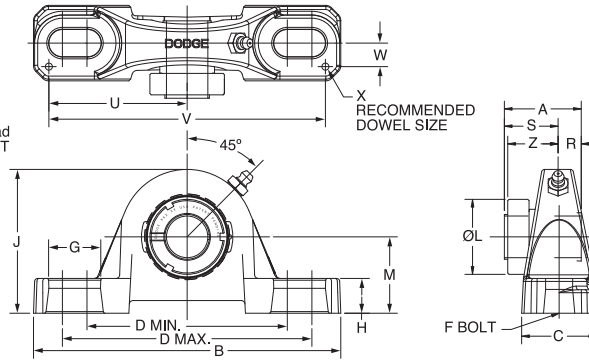
FEATURES/BENEFITS PAGE B5-2	HOW TO ORDER/NOMENCLATURE PAGE B5-4	SELECTION PAGE B5-5	RELATED PRODUCTS PAGE B5-70
--------------------------------	--	------------------------	--------------------------------

SELECTION/DIMENSIONS



GRIP TIGHT Adapter Ball Bearings GTB NORMAL DUTY PILLOW BLOCKS

Lube Fitting Thread Size -
203 Series - 1/4-28 Tapered Thread
Series 204 and Larger - 1/8-27 NPT



Series	Shaft Size	Complete Unit		Unit without Adapter Sleeve & Lock Nut		Adapter Sleeve & Lock Nut Assembly	
		Part No.	Description	Part No.	Description	Part No.	Description
203 (GT)	1/2	129150	P2B-GT-008	129420	P2B-GT-03	136588	AN-GT-03-008-D
	5/8	129151	P2B-GT-010			136521	AN-GT-03-010-D
	17mm	129203	P2B-GT-17M			136589	AN-GT-03-17M-D
204	3/4	129183	P2B-GTB-012	129433	P2B-GTB-04	136522	AN-GT-04-012-D
	20mm	129040	P2B-GTB-20M			136553	AN-GT-04-20M-D
205	7/8	129184	P2B-GTB-014	129434	P2B-GTB-05	136590	AN-GT-05-014-D
	15/16	129185	P2B-GTB-015			136523	AN-GT-05-015-D
	1	129186	P2B-GTB-100			136524	AN-GT-05-100-D
	25mm	129041	P2B-GTB-25M			136554	AN-GT-05-25M-D
	1-1/8	129187	P2B-GTB-102			136525	AN-GT-06-102-D
206	1-3/16	129188	P2B-GTB-103	129435	P2B-GTB-06	136526	AN-GT-06-103-D
	1-1/4	129189	P2B-GTB-104S			136527	AN-GT-06-104S-D
	30mm	129042	P2B-GTB-30M			136555	AN-GT-06-30M-D
	1-1/4	129190	P2B-GTB-104			136528	AN-GT-07-104-D
207	1-3/8	129191	P2B-GTB-106	129436	P2B-GTB-07	136591	AN-GT-07-106-D
	1-7/16	129192	P2B-GTB-107			136529	AN-GT-07-107-D
	35mm	129043	P2B-GTB-35M			136556	AN-GT-07-35M-D
208	1-1/2	129193	P2B-GTB-108	129437	P2B-GTB-08	136530	AN-GT-08-108-D
	1-5/8	129372	P2B-GTB-110			136592	AN-GT-08-110-D
	40mm	129210	P2B-GTB-40M			136593	AN-GT-08-40M-D
209	1-5/8	129194	P2B-GTB-110L	129438	P2B-GTB-09	136531	AN-GT-09-110L-D
	1-11/16	129195	P2B-GTB-111			136532	AN-GT-09-111-D
	1-3/4	129196	P2B-GTB-112			136533	AN-GT-09-112-D
	45mm	129044	P2B-GTB-45M			136557	AN-GT-09-45M-D
210	1-15/16	129197	P2B-GTB-115	129439	P2B-GTB-10	136534	AN-GT-10-115-D
	2	129198	P2B-GTB-200			136535	AN-GT-10-200-D
	50mm	129045	P2B-GTB-50M			136558	AN-GT-10-50M-D
211	2	129199	P2B-GTB-200L	129440	P2B-GTB-11	136600	AN-GTM-11-200-D
	2-3/16	129200	P2B-GTB-203			136536	AN-GT-11-203-D
	2-1/4	129377	P2B-GTB-204			136537	AN-GT-11-204-D
	55mm	129046	P2B-GTB-55M			136559	AN-GT-11-55M-D
212	2-1/4	129201	P2B-GTB-204L	129441	P2B-GTB-12	136601	AN-GTM-12-204-D
	2-7/16	129202	P2B-GTB-207			136538	AN-GT-12-207-D
	60mm	129047	P2B-GTB-60M			136594	AN-GT-12-60M-D
215	2-15/16	062741	P2B-GTB-215	062742	P2B-GTB-15	136540	AN-GT-15-215-D
	3	@	P2B-GTB-300			136595	AN-GT-15-300-D
	75mm	@	P2B-GTB-75M			136596	AN-GT-15-75M-D

@ Assembled to order

FEATURES/BENEFITS PAGE B5-2	HOW TO ORDER/NOMENCLATURE PAGE B5-4	SELECTION PAGE B5-5	RELATED PRODUCTS PAGE B5-70
--------------------------------	--	------------------------	--------------------------------

SELECTION/DIMENSIONS



GRIP TIGHT Adapter Ball Bearings GTB NORMAL DUTY PILLOW BLOCKS

Bearing Reference Guide
 ULTRA KLEEN
 E-Z KLEEN
 Extreme Duty
 Setscrew Ball Bearing
 GRIP TIGHT
 D-LOK Ball Bearing

Series	Shaft Size	Weight lbs kg	A	B	C	D		F Bolt Dia.	G	H	J	L	M	R#	S#	U	V	W	X*	Z	
						min.	max.														
203	1/2	1.6	1.29	5.00	1.20	3.25	4.06	3/8	0.84	0.47	2.14	1.40	1.06	0.40	0.89	2.25	4.50	0.38	0.12	0.90	
	5/8																				
	17mm	0.6	32.8	127.0	30.5	82.6	103.1	M10	21.3	11.9	54.4	35.6	26.9	10.2	22.6	57.2	114.3	9.7	3.0	22.9	
204	3/4	2.1	1.48	5.25	1.34	3.38	4.19	3/8	0.85	0.47	2.49	1.50	1.25	0.46	1.02	2.25	4.50	0.50	0.12	1.03	
	20mm	1.0	37.6	133.4	34.0	85.9	106.4	M10	21.6	11.9	63.2	38.1	31.8	11.7	25.9	57.2	114.3	12.7	3.0	26.2	
205	7/8	2.3	1.46	5.50	1.40	3.69	4.50	3/8	0.85	0.45	2.64	1.80	1.31	0.48	0.98	2.50	5.00	0.50	0.12	1.00	
	15/16																				
	1	2.3																			
206	25mm	1.1	37.1	139.7	35.6	93.7	114.3	M10	21.6	11.4	67.1	45.7	33.3	12.2	24.9	63.5	127.0	12.7	3.0	25.4	
	1-1/8	3.8	1.61	6.25	1.75	4.25	5.00	1/2	0.94	0.62	3.19	2.08	1.56	0.52	1.09	2.88	5.76	0.56	0.12	1.13	
	1-3/16	3.7																			
207	1-1/4	3.7																			
	1-1/4	3.7																			
	30mm	1.7	40.9	158.8	44.5	108.0	127.0	M12	23.9	15.8	81.0	52.8	39.6	13.2	27.7	73.2	146.3	14.2	3.0	28.7	
208	1-1/4	4.9	1.62	6.50	1.75	4.68	5.44	1/2	0.94	0.65	3.69	2.38	1.81	0.54	1.08	2.91	5.82	0.56	0.12	1.14	
	1-3/8	4.9																			
	1-7/16	4.8																			
209	35mm	2.2	41.1	165.1	44.5	118.9	138.2	M12	23.9	16.5	93.7	60.5	46.0	13.7	27.4	73.9	147.8	14.2	3.0	29.0	
	1-1/2	6.0	1.84	7.25	1.93	5.18	5.88	1/2	0.91	0.75	4.00	2.62	1.94	0.61	1.23	3.26	6.52	0.69	0.12	1.23	
	1-5/8	5.9																			
210	40mm	2.7	46.7	184.2	49.0	131.6	149.4	M12	23.1	19.1	101.6	66.5	49.3	15.5	31.2	82.8	165.6	17.5	3.0	31.2	
	1-5/8	6.8	1.85	7.44	2.00	5.50	6.19	1/2	0.90	0.69	4.21	2.86	2.06	0.62	1.23	3.38	6.76	0.69	0.12	1.26	
	1-11/16	6.8																			
211	1-3/4	6.7																			
	45mm	3.1	47.0	189.0	50.8	139.7	157.2	M12	22.9	17.5	106.9	72.6	52.3	15.7	31.2	85.9	171.7	17.5	3.0	32.0	
	1-15/16	8.5	1.86	8.12	2.25	6.00	6.68	5/8	1.02	0.68	4.47	3.13	2.19	0.63	1.23	3.69	7.38	0.81	0.12	1.26	
212	2	8.4																			
	50mm	3.9	47.2	206.2	57.2	152.4	169.7	M16	25.9	17.3	113.5	79.5	55.6	16.0	31.2	93.7	187.5	20.6	3.0	32.0	
	2	12.2	1.93	8.88	2.30	6.38	7.44	5/8	1.21	0.81	4.90	3.43	2.44	0.67	1.26	3.94	7.88	0.81	0.12	1.32	
213	2-3/16	11.9																			
	2-1/4	11.8																			
	55mm	5.6	49.0	225.6	58.4	162.1	189.0	M16	30.7	20.6	124.5	87.1	62.0	17.0	32.0	100.1	200.2	20.6	3.0	33.5	
214	2-1/4	17.5	2.12	9.50	2.37	6.88	7.94	5/8	1.21	0.81	5.34	3.69	2.69	0.73	1.39	4.25	8.50	0.88	0.12	1.46	
	2-7/16																				
	60mm	7.0	53.8	241.3	60.2	174.8	201.7	M16	30.7	20.6	135.6	93.7	68.3	18.5	35.3	108.0	215.9	22.4	3.0	37.1	
215	2-15/16	24.9	2.46	11.75	2.88	8.50	9.50	7/8	1.44	1.06	6.56	4.44	3.31	0.86	1.60	5.48	10.96	1.04	0.12	1.60	
	3	24.7																			
	75mm	11.4	62.5	298.5	73.2	215.9	241.3	M22	36.6	26.9	166.6	112.8	84.1	21.8	40.6	139.2	278.4	26.4	3.0	40.6	

* Only 1 pillow block can be dowel pinned per shaft

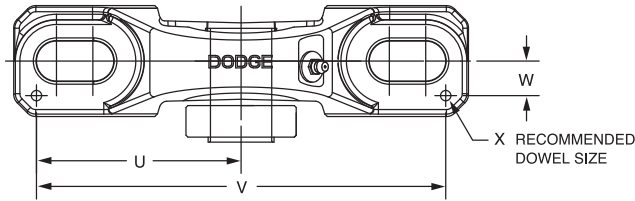
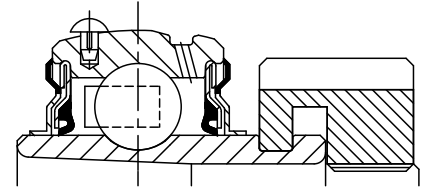
R & S Dimensions will vary slightly depending on true shaft diameter

FEATURES/BENEFITS PAGE B5-2	HOW TO ORDER/NOMENCLATURE PAGE B5-4	SELECTION PAGE B5-5	RELATED PRODUCTS PAGE B5-70
--------------------------------	--	------------------------	--------------------------------

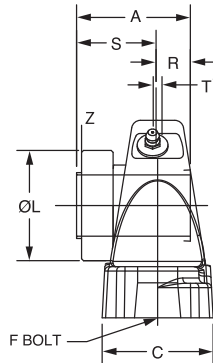
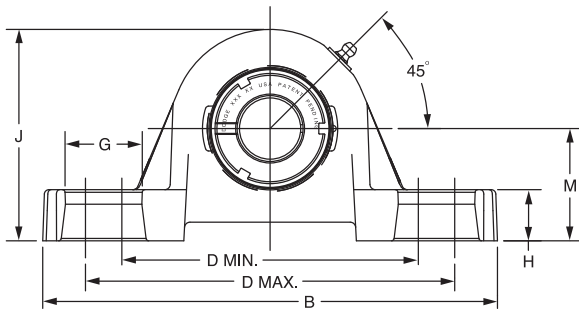
SELECTION/DIMENSIONS



GRIP TIGHT Adapter Ball Bearings GTH-E EXPANSION PILLOW BLOCKS



Lube fitting thread size:
1/4-28 tapered thread



Series	Shaft Size	Complete Unit		Unit without Adapter Sleeve & Lock Nut		Adapter Sleeve & Lock Nut Assembly	
		Part Number	Description	Part Number	Description	Part Number	Description
205	1	077471	P2B-GTH-100-E	065777	P2B-GTH-05-E	136524	AN-GT-05-100-D
	25mm	065776	P2B-GTH-25M-E			136554	AN-GT-05-25M-D
206	1-3/16	130691	P2B-GTH-103-E	130697	P2B-GTH-06-E	136526	AN-GT-06-103-D
	1-1/4	068230	P2B-GTH-104S-E			136527	AN-GT-06-104S-D
	30mm	068872	P2B-GTH-30M-E			136555	AN-GT-06-30M-D
207	1-7/16	130692	P2B-GTH-107-E	130698	P2B-GTH-07-E	136529	AN-GT-07-107-D
	35mm	065598	P2B-GTH-35M-E			136556	AN-GT-07-35M-D
209	1-11/16	130693	P2B-GTH-111-E	130699	P2B-GTH-09-E	136532	AN-GT-09-111-D
	1 3/4	@	P2B-GTH-112-E			136533	AN-GT-09-112-D
	45mm	064874	P2B-GTH-45M-E			136557	AN-GT-09-45M-D
210	1-15/16	130694	P2B-GTH-115-E	130700	P2B-GTH-10-E	136534	AN-GT-10-115-D
	2	@	P2B-GTH-200-E			136535	AN-GT-10-200-D
	50mm	064794	P2B-GTH-50M-E			136558	AN-GT-10-50M-D
211	2-3/16	130695	P2B-GTH-203-E	130701	P2B-GTH-11-E	136536	AN-GT-11-203-D
	2 1/4	130689	P2B-GTH-204-E			136537	AN-GT-11-204-D
	55mm	064875	P2B-GTH-55M-E			136559	AN-GT-11-55M-D
212	2-7/16	130696	P2B-GTH-207-E	130702	P2B-GTH-12-E	136538	AN-GT-12-207-D
	60mm	@	P2B-GTH-60M-E			136594	AN-GT-12-60M-D

Use GTM Medium Duty Pillow Blocks for non-expansion units.
@ Assembled to order

FEATURES/BENEFITS PAGE B5-2	HOW TO ORDER/NOMENCLATURE PAGE B5-4	SELECTION PAGE B5-5	RELATED PRODUCTS PAGE B5-70
--------------------------------	--	------------------------	--------------------------------

SELECTION/DIMENSIONS



GRIP TIGHT Adapter Ball Bearings GTH-E EXPANSION PILLOW BLOCKS

Bearing Reference Guide

ULTRA KLEEN

E-Z KLEEN

Extreme Duty

Setscrew Ball Bearing

GRIP TIGHT

D-LOK Ball Bearing

Series	Shaft Size	Weight lbs kg	A	B	C	D		F Bolt Dia.	G	H	J
						min.	max.				
205	1	3.7	1.46	6.25	1.75	4.25	5.00	1/2	0.94	0.75	3.31
	25mm	1.7	37.1	158.8	44.5	108.0	127.0	M12	23.9	19.1	84.1
206	1-3/16	5.0	1.61	6.50	1.75	4.68	5.44	1/2	0.94	0.71	3.75
	1-1/4 30mm	5.0 1.5	40.9	165.1	44.5	118.9	138.2	M12	23.9	18.0	95.3
207	1-7/16	6.9	1.62	7.25	1.93	5.18	5.88	1/2	0.91	0.93	4.19
	35mm	2.1	41.1	184.2	49.0	131.6	149.4	M12	23.1	23.6	106.4
209	1-11/16	9.2	1.85	8.12	2.25	6.00	6.68	5/8	1.02	0.75	4.53
	1-3/4 45mm	9.2 2.8	47.0	206.2	57.2	152.4	169.7	M16	25.9	19.1	115.1
210	1-15/16	10.8	1.86	8.88	2.30	6.38	7.44	5/8	1.21	0.88	4.96
	2 50mm	10.8 3.3	47.2	225.6	58.4	162.1	189.0	M16	30.7	22.4	126.0
211	2-3/16	15.7	1.93	9.50	2.37	6.88	7.94	5/8	1.21	0.88	5.40
	2-1/4 55mm	15.7 4.8	49.0	241.3	60.2	174.8	201.7	M16	30.7	22.4	137.2
212	2-7/16	20.1	2.12	10.75	2.69	7.50	8.50	3/4	1.32	0.94	6.09
	60mm	6.1	53.8	273.1	68.3	190.5	215.9	M18	33.5	23.8	154.7

Series	Shaft Size	L	M	R#	S#	T Total Expansion	U	V	W	X @	Z
205	1	1.80	1.69	0.48	0.98	0.16	2.88	5.76	0.56	0.12	1.00
	25mm	45.7	42.9	12.2	24.9	4.1	73.2	146.3	14.2	3.0	25.4
206	1-3/16	2.08	1.88	0.52	1.09	0.16	2.91	5.82	0.56	0.12	1.13
	1-1/4 30mm	52.8	47.8	13.2	27.7	4.1	73.9	147.8	14.2	3.0	28.7
207	1-7/16	2.38	2.13	0.54	1.08	0.16	3.26	6.52	0.69	0.12	1.14
	35mm	60.5	54.1	13.7	27.4	4.1	82.8	165.6	17.5	3.0	29.0
209	1-11/16	2.86	2.25	0.62	1.23	0.25	3.69	7.38	0.81	0.12	1.26
	1-3/4 45mm	72.6	57.2	15.7	31.2	6.4	93.7	187.5	20.6	3.0	32.0
210	1-15/16	3.13	2.50	0.63	1.23	0.22	3.94	7.88	0.81	0.12	1.26
	2 50mm	79.5	63.5	16.0	31.2	5.6	100.1	200.2	20.6	3.0	32.0
211	2-3/16	3.43	2.75	0.67	1.26	0.22	4.25	8.50	0.88	0.12	1.32
	2-1/4 55mm	87.1	69.9	17.0	32.0	5.6	108.0	215.9	22.4	3.0	33.5
212	2-7/16	3.69	3.00	0.73	1.39	0.22	4.88	9.76	0.94	0.12	1.46
	60mm	93.7	76.2	18.5	35.3	5.6	124.0	247.9	23.9	3.0	37.1

R & S dimensions will vary slightly depending on true shaft diameter.

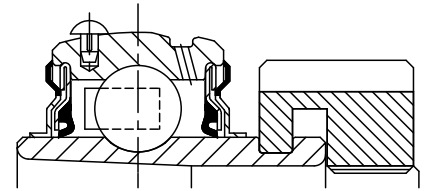
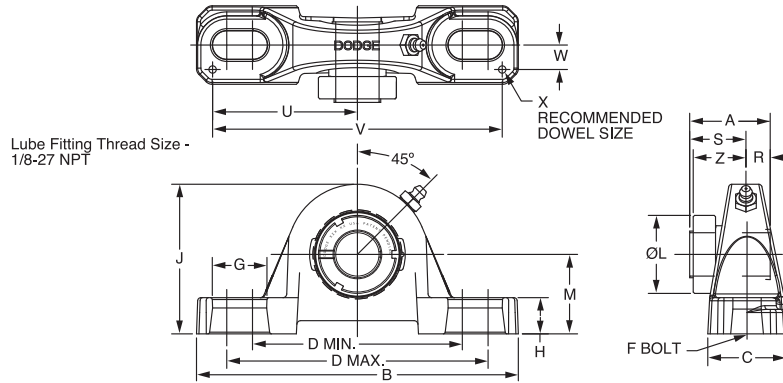
@ Only 1 pillow block can be dowel pinned per shaft

FEATURES/BENEFITS PAGE B5-2	HOW TO ORDER/NOMENCLATURE PAGE B5-4	SELECTION PAGE B5-5	RELATED PRODUCTS PAGE B5-70
--------------------------------	--	------------------------	--------------------------------

SELECTION/DIMENSIONS



GRIP TIGHT Adapter Ball Bearings GTM MEDIUM DUTY PILLOW BLOCKS



Series	Shaft Size	Complete Unit		Unit Without Adapter & Nut		Adapter & Nut Assembly	
		Part No.	Description	Part No.	Description	Part No.	Description
205	3/4	129048	P2B-GTM-012	129422	P2B-GT-05	136597	AN-GTM-05-012-D
206	1 25mm	129217	P2B-GTM-100	129419	P2B-GTU-06	136541	AN-GTM-06-100-D
		136258	P2B-GTM-25M			136561	AN-GTM-06-25M-D
206 (GTMU)	1 25mm	129381	P2B-GTMU-100	129385	P2B-GTMU-06	136541	AN-GTM-06-100-D
		@	P2B-GTMU-25M			136561	AN-GTM-06-25M-D
207	1-3/16 1-1/4 30mm	129218	P2B-GTM-103	129424	P2B-GT-07	136542	AN-GTM-07-103-D
		129161	P2B-GT-104			136528	AN-GT-07-104-D
		129049	P2B-GTM-30M			136562	AN-GTM-07-30M-D
208	1-7/16 35mm	129219	P2B-GTM-107	129425	P2B-GT-08	136543	AN-GTM-08-107-D
		136259	P2B-GTM-35M			136563	AN-GTM-08-35M-D
209	1-1/2 40mm	129220	P2B-GTM-108	129426	P2B-GT-09	136598	AN-GTM-09-108-D
		136260	P2B-GTM-40M			136564	AN-GTM-09-40M-D
210	1-11/16 1-3/4 45mm	129221	P2B-GTM-111	129427	P2B-GT-10	136544	AN-GTM-10-111-D
		129222	P2B-GTM-112			136599	AN-GTM-10-112-D
		136261	P2B-GTM-45M			136565	AN-GTM-10-45M-D
210 (GTMU)	1-11/16 1-3/4 45mm	129383	P2B-GTMU-111	129387	P2B-GTU-10	136544	AN-GTM-10-111-D
		@	P2B-GTMU-112			136599	AN-GTM-10-112-D
		@	P2B-GTMU-45M			136565	AN-GTM-10-45M-D
211	1-15/16 2 50mm	129223	P2B-GTM-115	129428	P2B-GT-11	136545	AN-GTM-11-115-D
		129224	P2B-GTM-200			136600	AN-GTM-11-200-D
		136262	P2B-GTM-50M			136566	AN-GTM-11-50M-D
212	2-3/16 2-1/4 55mm	129225	P2B-GTM-203	129429	P2B-GT-12	136546	AN-GTM-12-203-D
		129226	P2B-GTM-204			136601	AN-GTM-12-204-D
		136263	P2B-GTM-55M			036567	AN-GTM-12-55M-D
214	2-7/16 2-1/2 60mm 65mm	129227	P2B-GTM-207	129430	P2B-GT-14	136547	AN-GTM-14-207-D
		129228	P2B-GTM-208			136548	AN-GTM-14-208-D
		068071	P2B-GTM-60M			136602	AN-GTM-14-60M-D
215	2-11/16 70mm	136264	P2B-GTM-65M	129229	P2B-GT-15	136568	AN-GTM-14-65M-D
		129229	P2B-GTM-211			136549	AN-GTM-15-211-D
216	2-15/16 3 75mm	136265	P2B-GTM-70M	129431	P2B-GT-15	136569	AN-GTM-15-70M-D
		129230	P2B-GTM-215			136550	AN-GTM-16-215-D
		129231	P2B-GTM-300			136551	AN-GTM-16-300-D
218	3-7/16 3-1/2 85mm	136266	P2B-GTM-75M	129453	P2B-GT-16	136570	AN-GTM-16-75M-D
		129232	P2B-GTM-307			136552	AN-GTM-18-307-D
		129233	P2B-GTM-308			136603	AN-GTM-18-308-D
		136267	P2B-GTM-85M	129454	P2B-GT-18	136571	AN-GTM-18-85M-D

@ Assembled to order

FEATURES/BENEFITS PAGE B5-2	HOW TO ORDER/NOMENCLATURE PAGE B5-4	SELECTION PAGE B5-5	RELATED PRODUCTS PAGE B5-70
--------------------------------	--	------------------------	--------------------------------

SELECTION/DIMENSIONS



GRIP TIGHT Adapter Ball Bearings GTM MEDIUM DUTY PILLOW BLOCKS

Bearing Reference Guide

ULTRA KLEEN

E-Z KLEEN

Extreme Duty

Setscrew Ball Bearing

GRIP TIGHT

D-LOK Ball Bearing

Series	Shaft Size	Weight lbs kg	A	B	C	D		F Bolt Dia.	G	H	J	L	M	R#	S#	U	V	W	X@	Z
						min.	max.													
205	3/4	2.4	1.46 37.1	5.50 139.7	1.40 35.6	3.69 93.7	4.50 114.3	3/8 M10	0.85 21.6	0.58 14.7	2.77 70.4	1.80 45.7	1.44 36.5	0.48 12.2	0.98 24.9	2.50 63.5	5.00 127.0	0.50 12.7	0.12 3.0	1.00 25.4
206	1	4.2	1.61	6.25	1.75	4.25	5.00	1/2	0.94	0.68	3.25	2.08	1.69	0.52	1.09	2.88	5.76	0.56	0.12	1.13
	25mm	1.7	40.9	158.8	44.5	108.0	127.0	M12	23.9	17.3	82.6	52.8	42.9	13.2	27.7	73.2	146.3	14.2	3.0	28.7
206 (GTMU)	1	4.2	1.61	6.25	1.75	4.25	5.00	1/2	0.94	0.81	3.37	2.08	1.75	0.52	1.09	2.88	5.76	0.56	0.12	1.13
	25mm	1.7	40.9	158.8	44.5	108.0	127.0	M12	23.9	20.6	85.6	52.8	44.5	13.2	27.7	73.2	146.3	14.2	3.0	28.7
207	1-3/16	5.1	1.62	6.50	1.75	4.68	5.44	1/2	0.94	0.71	3.75	2.38	1.88	0.54	1.08	2.91	5.82	0.56	0.12	1.14
	1-1/4 30mm	4.9 2.2	41.1	165.1	44.5	118.9	138.2	M12	23.9	18.0	95.3	60.5	47.6	13.7	27.4	73.9	147.8	14.2	3.0	29.0
208	1-7/16	7.2	1.84	7.25	1.93	5.18	5.88	1/2	0.91	0.93	4.19	2.62	2.13	0.61	1.23	3.26	6.52	0.69	0.12	1.23
	35mm	2.7	46.7	184.2	49.0	131.6	149.4	M12	23.1	23.6	106.4	66.5	54.0	15.5	31.2	82.8	165.6	17.5	3.0	31.2
209	1-1/2	9.2	1.85	7.44	2.00	5.50	6.19	1/2	0.90	0.75	4.28	2.86	2.13	0.62	1.23	3.38	6.76	0.69	0.12	1.26
	40mm	3.1	47.0	189.0	50.8	139.7	157.2	M12	22.9	19.1	108.7	72.6	54.0	15.7	31.2	85.9	171.7	17.5	3.0	32.0
210	1-11/16	10.1	1.86	8.12	2.25	6.00	6.68	5/8	1.02	0.75	4.53	3.13	2.25	0.63	1.23	3.69	7.38	0.81	0.12	1.26
	1-3/4 45mm	10.1 3.9	47.2	206.2	57.2	152.4	169.7	M16	25.9	19.1	115.1	79.5	57.2	16.0	31.2	93.7	187.5	20.6	3.0	32.0
210 (GTMU)	1-11/16	10.1	1.86	8.13	2.25	6.00	6.68	5/8	1.02	0.81	4.60	3.13	2.31	0.63	1.23	3.69	7.38	0.81	0.12	1.26
	1-3/4 45mm	10.1 3.9	47.2	206.5	57.2	152.4	169.7	M16	25.9	20.6	116.8	79.5	58.7	16.0	31.2	93.7	187.5	20.6	3.0	32.0
211	1-15/16	12.3	1.93	8.88	2.30	6.38	7.44	5/8	1.21	0.88	4.96	3.43	2.50	0.67	1.26	3.94	7.88	0.81	0.12	1.32
	2 50mm	12.2 5.6	49.0	225.6	58.4	162.1	189.0	M16	30.7	22.4	126.0	87.1	63.5	17.0	32.0	100.1	200.2	20.6	3.0	33.5
212	2-3/16	17.5	2.12	9.50	2.37	6.88	7.94	5/8	1.21	0.88	5.40	3.69	2.75	0.73	1.39	4.25	8.50	0.88	0.12	1.46
	2-1/4 55mm	17.5 7.0	53.8	241.3	60.2	174.8	201.7	M16	30.7	22.4	137.2	93.7	69.9	18.5	35.3	108.0	215.9	22.4	3.0	37.1
214	2-7/16	19.4	2.39	10.75	2.69	7.50	8.50	3/4	1.32	0.94	6.09	4.00	3.00	0.84	1.55	4.88	9.76	0.94	0.12	1.58
	2-1/2 60mm 65mm	19.4 9.0 8.9	60.7	273.1	68.3	190.5	215.9	M18	33.5	23.9	154.7	101.6	76.2	21.3	39.4	124.0	247.9	23.9	3.0	40.1
215	2-11/16	24.9	2.46	11.75	2.88	8.50	9.50	7/8	1.44	1.00	6.75	4.44	3.50	0.86	1.60	5.48	10.96	1.04	0.12	1.60
	70mm	10.1	62.5	298.5	73.2	215.9	241.3	M22	36.6	25.4	171.5	112.8	88.9	21.8	40.6	139.2	278.4	26.4	3.0	40.6
216	2-15/16	25.4	2.70	11.75	3.00	8.50	9.50	7/8	1.44	1.25	6.97	4.69	3.50	0.89	1.81	5.50	11.00	1.09	0.12	1.78
	3 75mm	10.3	68.6	298.5	76.2	215.9	241.3	M22	36.6	31.8	177.0	119.1	88.9	22.6	46.0	139.7	279.4	27.7	3.0	45.2
218	3-7/16	34.9	2.80	14.00	3.38	10.32	11.62	7/8	1.59	1.31	8.00	5.19	4.00	0.96	1.84	6.60	13.20	1.19	0.12	1.81
	3-1/2 85mm	14.1	71.1	355.6	85.9	262.1	295.1	M22	40.4	33.3	203.2	131.8	101.6	24.4	46.7	167.6	335.3	30.2	3.0	46.0

#R & S dimensions will vary slightly depending on true shaft diameter

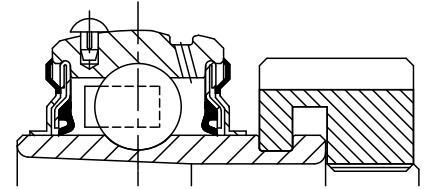
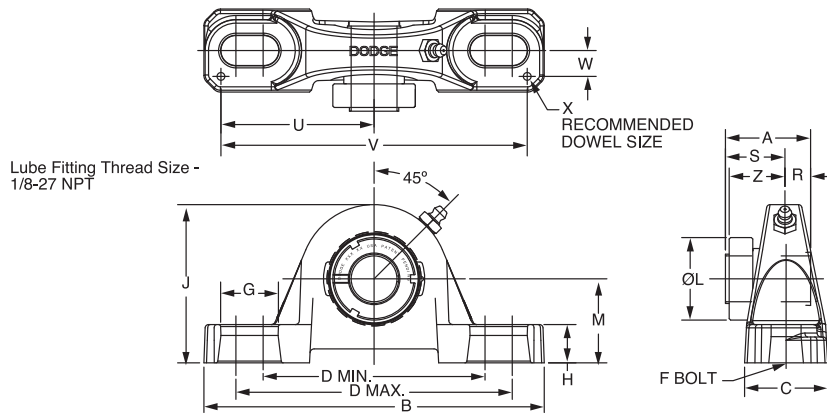
@ Only 1 pillow block can be dowel pinned per shaft

FEATURES/BENEFITS PAGE B5-2	HOW TO ORDER/NOMENCLATURE PAGE B5-4	SELECTION PAGE B5-5	RELATED PRODUCTS PAGE B5-70
--------------------------------	--	------------------------	--------------------------------

SELECTION/DIMENSIONS



GRIP TIGHT Adapter Ball Bearings GTMAH AIR HANDLING MEDIUM DUTY PILLOW BLOCKS



Series	Shaft Size	Complete Unit		Unit Without Adapter & Nut		Adapter & Nut Assembly	
		Part No.	Description	Part No.	Description	Part No.	Description
205	3/4	@	P2B-GTMAH-012	129443	P2B-GTAH-05	136597	AN-GTM-05-012-D
206	1	129234	P2B-GTMAH-100	129452	P2B-GTUAH-06	136541	AN-GTM-06-100-D
	25mm	@	P2B-GTMAH-25M			136561	AN-GTM-06-25M-D
206 (GTMU)	1	129382	P2B-GTMUAH-100	129386	P2B-GTMUAH-06	136541	AN-GTM-06-100-D
	25mm	@	P2B-GTMUAH-25M			136561	AN-GTM-06-25M-D
207	1-3/16	129235	P2B-GTMAH-103	129444	P2B-GTAH-07	136542	AN-GTM-07-103-D
	1-1/4	@	P2B-GTAH-104			136528	AN-GT-07-104-D
	30mm	068871	P2B-GTMAH-30M			136562	AN-GTM-07-30M-D
208	1-7/16	129236	P2B-GTMAH-107	129445	P2B-GTAH-08	136543	AN-GTM-08-107-D
	35mm	065597	P2B-GTMAH-35M			136563	AN-GTM-08-35M-D
209	1-1/2	@	P2B-GTMAH-108	129446	P2B-GTAH-09	136598	AN-GTM-09-108-D
	40mm	068662	P2B-GTMAH-40M			136564	AN-GTM-09-40M-D
210	1-11/16	129237	P2B-GTMAH-111	129447	P2B-GTAH-10	136544	AN-GTM-10-111-D
	1-3/4	@	P2B-GTMAH-112			136599	AN-GTM-10-112-D
	45mm	068680	P2B-GTMAH-45M			136565	AN-GTM-10-45M-D
210 (GTMU)	1-11/16	129384	P2B-GTMUAH-111	129388	P2B-GTUAH-10	136544	AN-GTM-10-111-D
	1-3/4	@	P2B-GTMUAH-112			136599	AN-GTM-10-112-D
	45mm	@	P2B-GTMUAH-45M			136565	AN-GTM-10-45M-D
211	1-15/16	129238	P2B-GTMAH-115	129448	P2B-GTAH-11	136545	AN-GTM-11-115-D
	2	@	P2B-GTMAH-200			136600	AN-GTM-11-200-D
	50mm	065969	P2B-GTMAH-50M			136566	AN-GTM-11-50M-D
212	2-3/16	129239	P2B-GTMAH-203	129449	P2B-GTAH-12	136546	AN-GTM-12-203-D
	2-1/4	@	P2B-GTMAH-204			136601	AN-GTM-12-204-D
	55mm	068673	P2B-GTMAH-55M			136567	AN-GTM-12-55M-D
214	2-7/16	129240	P2B-GTMAH-207	129450	P2B-GTAH-14	136547	AN-GTM-14-207-D
	2-1/2	068865	P2B-GTMAH-208			136548	AN-GTM-14-208-D
	65mm	068682	P2B-GTMAH-65M			136568	AN-GTM-14-65M-D
215	2-11/16	129241	P2B-GTMAH-211	129451	P2B-GTAH-15	136549	AN-GTM-15-211-D
	70mm	064684	P2B-GTMAH-70M			136569	AN-GTM-15-70M-D
216	2-15/16	129242	P2B-GTMAH-215	129455	P2B-GTAH-16	136550	AN-GTM-16-215-D
	3	068472	P2B-GTMAH-300			136551	AN-GTM-16-300-D
	75mm	068329	P2B-GTMAH-75M			136570	AN-GTM-16-75M-D
218	3-7/16	129243	P2B-GTMAH-307	129456	P2B-GTAH-18	136552	AN-GTM-18-307-D
	3-1/2	@	P2B-GTMAH-308			136603	AN-GTM-18-308-D
	85mm	068686	P2B-GTMAH-85M			136571	AN-GTM-18-85M-D

@ Assembled to order

FEATURES/BENEFITS PAGE B5-2	HOW TO ORDER/NOMENCLATURE PAGE B5-4	SELECTION PAGE B5-5	RELATED PRODUCTS PAGE B5-70
--------------------------------	--	------------------------	--------------------------------

SELECTION/DIMENSIONS



GRIP TIGHT Adapter Ball Bearings GTMAH AIR HANDLING MEDIUM DUTY PILLOW BLOCKS

Bearing Reference Guide

ULTRA KLEEN

E-Z KLEEN

Extreme Duty

Setscrew Ball Bearing

GRIP TIGHT

D-LOK Ball Bearing

Series	Shaft Size	Weight lbs kg	A	B	C	D		F Bolt Dia.	G	H	J	L	M	R#	S#	U	V	W	X	Z
						min.	max.													
205	3/4	2.4	1.46	5.50	1.40	3.69	4.50	3/8	0.85	0.58	2.77	1.80	1.44	0.48	0.98	2.50	5.00	0.50	0.12	1.00
206	1	4.2	1.61	6.25	1.75	4.25	5.00	1/2	0.94	0.68	3.25	2.08	1.63	0.52	1.09	2.88	5.76	0.56	0.12	1.13
	25mm	1.7	40.9	158.8	44.5	108.0	127.0	M12	23.9	17.3	82.6	52.8	41.3	13.2	27.7	73.2	146.3	14.2	3.0	28.7
206 (GTMU)	1	4.2	1.61	6.25	1.75	4.25	5.00	1/2	0.94	0.81	3.37	2.08	1.75	0.52	1.09	2.88	5.76	0.56	0.12	1.13
	25mm	1.7	40.9	158.8	44.5	108.0	127.0	M12	23.9	20.6	85.6	52.8	44.5	13.2	27.7	73.2	146.3	14.2	3.0	28.7
207	1-3/16	5.1	1.62	6.50	1.75	4.68	5.44	1/2	0.94	0.71	3.75	2.38	1.88	0.54	1.08	2.91	5.82	0.56	0.12	1.14
	1-1/4 30mm	2.2	41.10	165.1	44.5	118.9	138.2	M12	23.9	18.0	95.3	60.5	47.6	13.7	27.4	73.9	147.8	14.2	3.0	29.0
208	1-7/16	7.2	1.84	7.25	1.93	5.18	5.88	1/2	0.91	0.93	4.19	2.62	2.13	0.61	1.23	3.26	6.52	0.69	0.12	1.23
	35mm	2.7	46.7	184.2	49.0	131.6	149.4	M12	23.1	23.6	106.4	66.5	54.0	15.5	31.2	82.8	165.6	17.5	3.0	31.2
209	1-1/2	9.2	1.85	7.44	2.00	5.50	6.19	1/2	0.90	0.75	4.28	2.86	2.13	0.62	1.23	3.38	6.76	0.69	0.12	1.26
	40mm	3.1	47.0	189.0	50.8	139.7	157.2	M12	22.9	19.1	108.7	72.6	54.0	15.7	31.2	85.9	171.7	17.5	3.0	32.0
210	1-11/16	10.1	1.86	8.12	2.25	6.00	6.68	5/8	1.02	0.75	4.53	3.13	2.25	0.63	1.23	3.69	7.38	0.81	0.12	1.26
	1-3/4 45mm	3.9	47.2	206.2	57.2	152.4	169.7	M16	25.9	19.1	115.1	79.5	57.2	16.0	31.2	93.7	187.5	20.6	3.0	32.0
210 (GTMU)	1-11/16	10.1	1.86	8.13	2.25	6.00	6.68	5/8	1.02	0.81	4.60	3.13	2.31	0.63	1.23	3.69	7.38	0.81	0.12	1.26
	1-3/4 45mm	3.9	47.2	206.5	57.2	152.4	169.7	M16	25.9	20.6	116.8	79.5	58.7	16.0	31.2	93.7	187.5	20.6	3.0	32.0
211	1-15/16	12.3	1.93	8.88	2.30	6.38	7.44	5/8	1.21	0.88	4.96	3.43	2.50	0.67	1.26	3.94	7.88	0.81	0.12	1.32
	2 50mm	5.6	49.0	225.6	58.4	162.1	189.0	M16	30.7	22.4	126.0	87.1	63.5	17.0	32.0	100.1	200.2	20.6	3.0	33.5
212	2-3/16	17.5	2.12	9.50	2.37	6.88	7.94	5/8	1.21	0.88	5.40	3.69	2.75	0.73	1.39	4.25	8.50	0.88	0.12	1.46
	2-1/4 55mm	7.0	53.8	241.3	60.2	174.8	201.7	M16	30.7	22.4	137.2	93.7	69.9	18.5	35.3	108.0	215.9	22.4	3.0	37.1
214	2-7/16	19.4	2.39	10.75	2.69	7.50	8.50	3/4	1.32	0.94	6.09	4.00	3.00	0.84	1.55	4.88	9.76	0.94	0.12	1.58
	2-1/2 65mm	8.90	60.7	273.1	68.3	190.5	215.9	M18	33.5	23.9	154.7	101.6	76.2	21.3	39.4	124.0	247.9	23.9	3.0	40.1
215	2-11/16	24.90	2.46	11.75	2.88	8.50	9.50	7/8	1.44	1.00	6.75	4.44	3.50	0.86	1.60	5.48	10.96	1.04	0.12	1.60
	70mm	10.10	62.5	298.5	73.2	215.9	241.3	M22	36.6	25.4	171.5	112.8	88.9	21.8	40.6	139.2	278.4	26.4	3.0	40.6
216	2-15/16	25.4	2.70	11.75	3.00	8.50	9.50	7/8	1.44	1.25	6.97	4.69	3.50	0.89	1.81	5.50	11.00	1.09	0.12	1.78
	3 75mm	10.3	68.6	298.5	76.2	215.9	241.3	M22	36.6	31.8	177.0	119.1	88.9	22.6	46.0	139.7	279.4	27.7	3.0	45.2
218	3-7/16	34.9	2.80	14.00	3.38	10.32	11.62	7/8	1.59	1.31	8.00	5.19	4.00	0.96	1.84	6.60	13.20	1.19	0.12	1.81
	3-1/2 85mm	14.1	71.1	355.6	85.9	262.1	295.1	M22	40.4	33.3	203.2	131.8	101.6	24.4	46.7	167.6	335.3	30.2	3.0	46.0

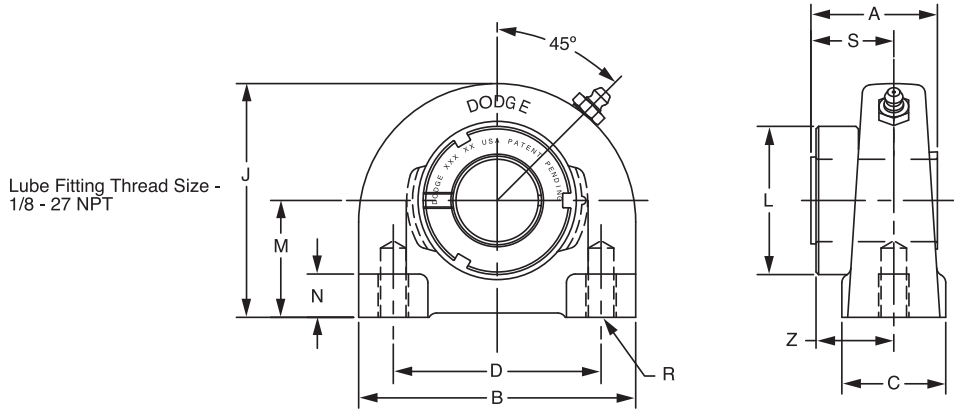
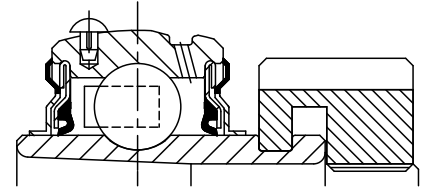
#R & S dimensions will vary slightly depending on true shaft diameter

FEATURES/BENEFITS PAGE B5-2	HOW TO ORDER/NOMENCLATURE PAGE B5-4	SELECTION PAGE B5-5	RELATED PRODUCTS PAGE B5-70
--------------------------------	--	------------------------	--------------------------------

SELECTION/DIMENSIONS



GRIP TIGHT Adapter Ball Bearings GT NORMAL DUTY TAPPED BASE PILLOW BLOCKS



Lube Fitting Thread Size - 1/8 - 27 NPT

Series	Shaft Size	Complete Unit		Unit without Adapter Sleeve & Lock Nut		Adapter Sleeve & Lock Nut Assembly	
		Part No.	Description	Part No.	Description	Part No.	Description
204	3/4	129276	TB-GT-012	129457	TB-GT-04	136522	AN-GT-04-012-D
	20mm	136365	TB-GT-20M	136383	TB-GT-04M	136553	AN-GT-04-20M-D
205	7/8	129148	TB-GT-014	129458	TB-GT-05	136590	AN-GT-05-014-D
	15/16	129277	TB-GT-015			136523	AN-GT-05-015-D
	1	129278	TB-GT-100			136524	AN-GT-05-100-D
	25mm	136366	TB-GT-25M			136554	AN-GT-05-25M-D
206	1-1/8	129279	TB-GT-102	129459	TB-GT-06	136525	AN-GT-06-102-D
	1-3/16	129280	TB-GT-103			136526	AN-GT-06-103-D
	1-1/4	129281	TB-GT-104S			136527	AN-GT-06-104S-D
	30mm	136367	TB-GT-30M			136555	AN-GT-06-30M-D
207	1-1/4	129282	TB-GT-104	129460	TB-GT-07	136528	AN-GT-07-104-D
	1-3/8	129283	TB-GT-106			136591	AN-GT-07-106-D
	1-7/16	129284	TB-GT-107			136529	AN-GT-07-107-D
	35mm	136368	TB-GT-35M			136556	AN-GT-07-35M-D
208	1-1/2	129285	TB-GT-108	129461	TB-GT-08	136530	AN-GT-08-108-D
	1-5/8	@	TB-GT-110			136592	AN-GT-08-110-D
	40mm	136369	TB-GT-40M			136593	AN-GT-08-40M-D
209	1-5/8	129286	TB-GT-110L	129462	TB-GT-09	136531	AN-GT-09-110L-D
	1-11/16	129287	TB-GT-111			136532	AN-GT-09-111-D
	1-3/4	129288	TB-GT-112			136533	AN-GT-09-112-D
	45mm	136370	TB-GT-45M			136657	AN-GT-09-45M-D
210	1-15/16	129289	TB-GT-115	129463	TB-GT-10	136534	AN-GT-10-115-D
	2	129290	TB-GT-200			136535	AN-GT-10-200-D
	50mm	136371	TB-GT-50M			136389	TB-GT-10M

@ Assemble to order

FEATURES/BENEFITS PAGE B5-2	HOW TO ORDER/NOMENCLATURE PAGE B5-4	SELECTION PAGE B5-5	RELATED PRODUCTS PAGE B5-70
--------------------------------	--	------------------------	--------------------------------

SELECTION/DIMENSIONS



GRIP TIGHT Adapter Ball Bearings GT NORMAL DUTY TAPPED BASE PILLOW BLOCKS

Bearing Reference Guide

ULTRA KLEEN

E-Z KLEEN

Extreme Duty

Setscrew Ball Bearing

GRIP TIGHT

D-LOK Ball Bearing

Series	Shaft Size	Weight lbs kg	A	B	C	D	J	L	M	N	R* UNC- Thread	S#	Z
204	3/4	1.9	1.48	2.88	1.50	2.00	2.56	1.50	1.31	0.50	3/8-16	1.02	1.03
	20mm	0.9	37.6	73.2	38.1	50.8	65.0	38.1	33.4	12.7	M8x1.25	25.9	26.2
205	7/8	2.1	1.46	3.00	1.50	2.00	2.81	1.80	1.44	0.50	3/8-16	0.98	1.00
	15/16	2.0											
	1	1.9											
206	25mm	1.0	37.1	76.2	38.1	50.8	71.4	45.7	36.5	12.7	M10x1.5	24.9	25.4
	1-1/8	3.6	1.61	4.00	1.50	3.00	3.38	2.08	1.69	0.63	7/16-14	1.09	1.13
	1-3/16	3.5											
	1-1/4	3.5											
207	30mm	1.7	40.9	101.6	38.1	76.2	85.9	52.8	42.9	16.0	M10x1.5	27.7	28.7
	1-1/4	4.7	1.62	4.25	1.88	3.25	3.75	2.38	1.88	0.75	1/2-13	1.08	1.14
	1-3/8	4.7											
	1-7/16	4.6											
	35mm	2.30	41.1	108.0	47.8	82.6	95.3	60.5	47.6	19.1	M10x1.5	27.4	29.0
208	1-1/2	6.20	1.84	4.63	1.88	3.50	3.94	2.62	1.94	0.75	1/2-13	1.23	1.23
	1-5/8	6.1											
	40mm	3.0	46.7	117.6	47.8	88.9	100.1	66.5	49.2	19.1	M12x1.75	31.2	31.2
209	1-5/8	6.7	1.85	5.00	2.00	3.75	4.25	2.86	2.13	0.75	1/2-13	1.23	1.26
	1-11/16	6.7											
	1-3/4	6.6											
	45mm	3.2	47.0	127.0	50.8	95.3	108.0	72.6	54.0	19.1	M12x1.75	31.2	32.0
210	1-15/16	8.6	1.86	5.50	2.00	4.00	4.63	3.13	2.25	0.88	5/8-11	1.23	1.26
	2	8.5											
	50mm	4.2	47.2	139.7	50.8	101.6	117.6	79.5	57.2	22.4	M16x2	31.2	32.0

#S dimension will vary slightly depending on true shaft diameter

* Mounting surface bolt holes on all GRIP TIGHT Tapped Base Units must have at least 1/16" bolt clearance

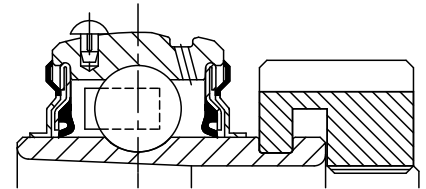
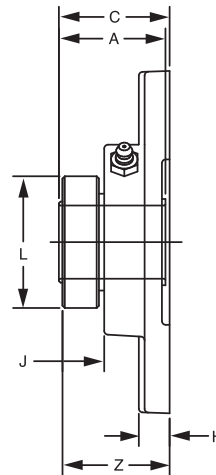
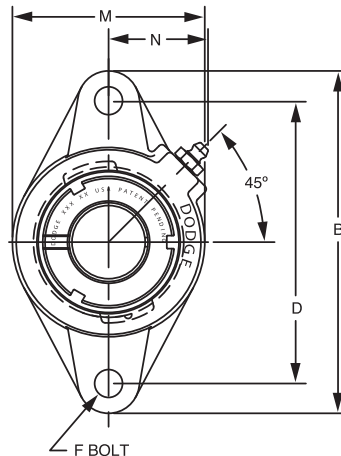
FEATURES/BENEFITS PAGE B5-2	HOW TO ORDER/NOMENCLATURE PAGE B5-4	SELECTION PAGE B5-5	RELATED PRODUCTS PAGE B5-70
--------------------------------	--	------------------------	--------------------------------

SELECTION/DIMENSIONS



GRIP TIGHT Adapter Ball Bearings GT NORMAL DUTY 2-BOLT FLANGE BEARINGS

Lube Fitting Thread Size -
203 Series - 1/4 - 28 Tapered Thread
204 Series and Larger - 1/8 - 27 NPT



Series	Shaft Size	Complete Unit		Unit without Adapter Sleeve & Lock Nut		Adapter Sleeve & Lock Nut Assembly	
		Part No.	Description	Part No.	Description	Part No.	Description
203	1/2	129301	F2B-GT-008	129490	F2B-GT-03	136588	AN-GT-03-008-D
	5/8	129302	F2B-GT-010			136521	AN-GT-03-010-D
	17mm	129321	F2B-GT-17M			136589	AN-GT-03-17M-D
204	3/4	129303	F2B-GT-012	129491	F2B-GT-04	136522	AN-GT-04-012-D
	20mm	129322	F2B-GT-20M			136553	AN-GT-04-20M-D
205	7/8	129304	F2B-GT-014	129492	F2B-GT-05	136590	AN-GT-05-014-D
	15/16	129305	F2B-GT-015			136523	AN-GT-05-015-D
	1	129306	F2B-GT-100			136524	AN-GT-05-100-D
	25mm	129323	F2B-GT-25M			136554	AN-GT-05-25M-D
206	1-1/8	129307	F2B-GT-102	129493	F2B-GT-06	136525	AN-GT-06-102-D
	1-3/16	129308	F2B-GT-103			136526	AN-GT-06-103-D
	1-1/4	129309	F2B-GT-104S			136527	AN-GT-06-104S-D
	30mm	129324	F2B-GT-30M			136555	AN-GT-06-30M-D
207	1-1/4	129310	F2B-GT-104	129494	F2B-GT-07	136528	AN-GT-07-104-D
	1-3/8	129311	F2B-GT-106			136591	AN-GT-07-106-D
	1-7/16	129312	F2B-GT-107			136529	AN-GT-07-107-D
	35mm	129325	F2B-GT-35M			136556	AN-GT-07-35M-D
208	1-1/2	129313	F2B-GT-108	129495	F2B-GT-08	136530	AN-GT-08-108-D
	1-5/8	129373	F2B-GT-110			136592	AN-GT-01-110-D
	40mm	129326	F2B-GT-40M			136593	AN-GT-08-40M-D
209	1-5/8	129314	F2B-GT-110L	129496	F2B-GT-09	136531	AN-GT-09-110L-D
	1-11/16	129315	F2B-GT-111			136532	AN-GT-09-111-D
	1-3/4	129316	F2B-GT-112			136533	AN-GT-09-112-D
	45mm	129327	F2B-GT-45M			136557	AN-GT-09-45M-D
210	1-15/16	129317	F2B-GT-115	129497	F2B-GT-10	136534	AN-GT-10-115-D
	2	129318	F2B-GT-200			136535	AN-GT-10-200-D
	50mm	129328	F2B-GT-50M			136558	AN-GT-10-50M-D
211	2	129337	F2B-GTM-200	129498	F2B-GT-11	136600	AN-GTM-11-200-D
	2-3/16	129319	F2B-GT-203			136536	AN-GT-11-203-D
	2-1/4	129378	F2B-GT-204			136537	AN-GT-11-204-D
	55mm	129329	F2B-GT-55M			136559	AN-GT-11-55M-D
212	2-1/4	064472	F2B-GTM-204	129078	F2B-GT-12	136601	AN-GTM-12-204-D
	2-7/16	064211	F2B-GT-207			136538	AN-GT-12-207-D
	60mm	068861	F2B-GT-60M			136594	AN-GT-12-60M-D

@ Assembled to order.

FEATURES/BENEFITS PAGE B5-2	HOW TO ORDER/NOMENCLATURE PAGE B5-4	SELECTION PAGE B5-5	RELATED PRODUCTS PAGE B5-70
--------------------------------	--	------------------------	--------------------------------

SELECTION/DIMENSIONS



GRIP TIGHT Adapter Ball Bearings GT NORMAL DUTY 2-BOLT FLANGE BEARINGS

Bearing Reference Guide

ULTRA KLEEN

E-Z KLEEN

Extreme Duty

Setscrew Ball Bearing

GRIP TIGHT

D-LOK Ball Bearing

Series	Shaft Size	Weight lbs kg	A	B	C#	D	F Bolt Dia.	H	J	L	M	N	Z
203	1/2	0.9	1.29	3.88	1.42	3.00	3/8	0.38	0.58	1.40	2.13	1.13	1.43
	5/8	0.8											
	17mm	0.3	32.8	98.6	36.1	76.2	M10	9.7	14.7	35.6	54.1	28.7	36.3
204	3/4	1.7	1.48	4.41	1.63	3.53	3/8	0.50	0.65	1.50	2.38	1.50	1.64
	20mm	0.6	37.6	112.0	41.4	89.7	M10	12.7	16.5	38.1	60.5	38.1	41.7
205	7/8	2.0	1.46	4.88	1.57	3.89	7/16	0.52	0.63	1.80	2.75	1.44	1.59
	15/16	1.9											
	1	1.8											
206	25mm	0.8	37.1	124.0	39.9	98.8	M10	13.2	16.0	45.7	69.9	36.6	40.4
	1-1/8	2.8	1.61	5.56	1.71	4.59	7/16	0.50	0.68	2.08	3.13	1.56	1.74
	1-3/16	2.7											
207	1-1/4	2.5											
	30mm	1.3	40.9	141.2	43.4	116.7	M12	12.7	17.3	52.8	79.5	39.6	44.2
	1-3/8	4.1											
208	1-7/16	3.9											
	35mm	1.9	41.1	155.7	45.5	130.0	M12	14.2	16.0	60.5	95.3	46.7	47.0
	1-1/2	5.0	1.84	6.75	2.01	5.66	1/2	0.56	0.67	2.62	4.13	1.83	2.02
209	1-5/8	4.8											
	40mm	2.3	46.7	171.5	51.1	143.8	M12	14.2	17.0	66.5	104.9	46.5	51.3
	1-5/8	6.2	1.85	7.06	2.03	5.84	1/2	0.63	0.66	2.86	4.38	1.91	2.06
210	1-11/16	6.10											
	1-3/4	6.0											
	45mm	2.7	47.0	179.3	51.6	148.3	M14	16.0	16.8	72.6	111.3	48.5	52.3
211	1-15/16	6.9	1.86	7.44	2.07	6.19	1/2	0.63	0.63	3.13	4.56	2.03	2.10
	2	6.8											
	50mm	3.2	47.2	189.0	52.6	157.2	M16	16.0	16.0	79.5	115.8	51.6	53.3
212	2	8.0	1.93	8.63	2.19	7.25	5/8	0.67	0.65	3.43	5.25	2.27	2.25
	2-3/16	7.9											
	2-1/4	7.8											
212	55mm	3.70	49.0	219.2	55.6	184.2	M16	17.0	16.5	87.1	133.4	57.7	57.2
	2-1/4	9.3	2.12	9.81	2.36	7.96	5/8	0.81	0.71	3.69	5.50	2.47	2.42
	2-7/16	9.2											
	60mm	4.5	53.8	249.2	59.9	202.1	M16	20.6	18.0	93.7	139.7	62.7	61.5

#C dimension will vary slightly depending on true shaft diameter.

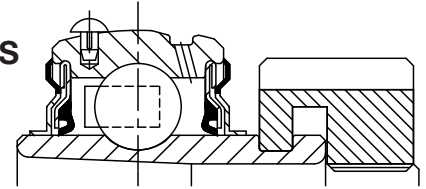
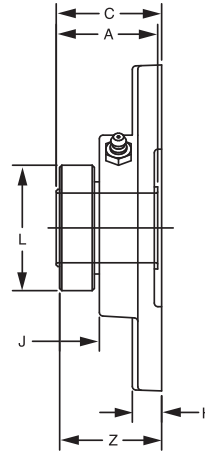
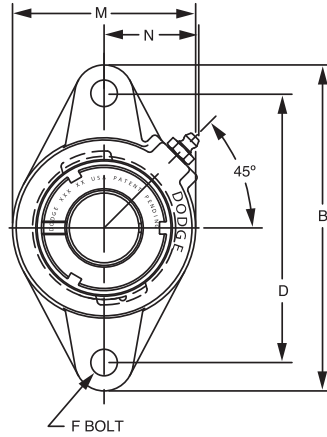
FEATURES/BENEFITS PAGE B5-2	HOW TO ORDER/NOMENCLATURE PAGE B5-4	SELECTION PAGE B5-5	RELATED PRODUCTS PAGE B5-70
--------------------------------	--	------------------------	--------------------------------

SELECTION/DIMENSIONS



GRIP TIGHT Adapter Ball Bearings GTAH AIR HANDLING NORMAL DUTY 2-BOLT FLANGE BEARINGS

Lube Fitting Thread Size -
203 Series - 1/4 - 28 Tapered Thread
204 Series and Larger - 1/8 - 27 NPT



Series	Shaft Size	Complete Unit		Unit without Adapter Sleeve & Lock Nut		Adapter Sleeve & Lock Nut Assembly	
		Part No.	Description	Part No.	Description	Part No.	Description
203	1/2	@	F2B-GTAH-008			136588	AN-GT-03-008-D
	5/8	129320	F2B-GTAH-010	129499	F2B-GTAH-03	136521	AN-GT-03-010-D
	17mm	@	F2B-GTAH-17M			136589	AN-GT-03-17M-D
204	3/4	075221	F2B-GTAH-012	075222	F2B-GTAH-04	136522	AN-GT-04-012-D
	20mm	@	F2B-GTAH-20M			136553	AN-GT-04-20M-D
205	7/8	@	F2B-GTAH-014	073850	F2B-GTAH-05	136590	AN-GT-05-014-D
	15/16	@	F2B-GTAH-015			136523	AN-GT-05-015-D
	1	073849	F2B-GTAH-100			136524	AN-GT-05-100-D
	25mm	@	F2B-GTAH-25M			136554	AN-GT-05-25M-D
206	1-1/8	@	F2B-GTAH-102	064079	F2B-GTAH-06	136525	AN-GT-06-102-D
	1-3/16	073222	F2B-GTAH-103			136526	AN-GT-06-103-D
	1-1/4	@	F2B-GTAH-104S			136527	AN-GT-06-104S-D
	30mm	@	F2B-GTAH-30M			136555	AN-GT-06-30M-D
207	1-1/4	@	F2B-GTAH-104	129500	F2B-GTAH-07	136528	AN-GT-07-104-D
	1-3/8	@	F2B-GTAH-106			136591	AN-GT-07-106-D
	1-7/16	@	F2B-GTAH-107			136529	AN-GT-07-107-D
	35mm	@	F2B-GTAH-35M			136556	AN-GT-07-35M-D
208	1-1/2	@	F2B-GTAH-108	@	F2B-GTAH-08	136530	AN-GT-08-108-D
	1-5/8	@	F2B-GTAH-110			136592	AN-GT-08-110-D
	40mm	@	F2B-GTAH-40M			136593	AN-GT-08-40M-D
209	1-5/8	@	F2B-GTAH-110L	075677	F2B-GTAH-09	136531	AN-GT-09-110L-D
	1-11/16	075676	F2B-GTAH-111			136532	AN-GT-09-111-D
	1-3/4	@	F2B-GTAH-112			136533	AN-GT-09-112-D
	45mm	@	F2B-GTAH-45M			136557	AN-GT-09-45M-D
210	1-15/16	@	F2B-GTAH-115	@	F2B-GTAH-10	136534	AN-GT-10-115-D
	2	@	F2B-GTAH-200			136535	AN-GT-10-200-D
	50mm	@	F2B-GTAH-50M			136558	AN-GT-10-50M-D
211	2	@	F2B-GTMAH-200	@	F2B-GTAH-11	136600	AN-GTM-11-200-D
	2-3/16	@	F2B-GTAH-203			136536	AN-GT-11-203-D
	2-1/4	075222	F2B-GTAH-204			136537	AN-GT-11-204-D
	55mm	@	F2B-GTAH-55M			136559	AN-GT-11-55M-D
212	2-1/4	@	F2B-GTMAH-204	@	F2B-GTAH-12	136601	AN-GTM-12-204-D
	2-7/16	@	F2B-GTAH-207			136538	AN-GT-12-207-D
	60mm	@	F2B-GTAH-60M			136594	AN-GT-12-60M-D

@ Assembled to order.

FEATURES/BENEFITS PAGE B5-2	HOW TO ORDER/NOMENCLATURE PAGE B5-4	SELECTION PAGE B5-5	RELATED PRODUCTS PAGE B5-70
--------------------------------	--	------------------------	--------------------------------

SELECTION/DIMENSIONS



GRIP TIGHT Adapter Ball Bearings GTAH AIR HANDLING NORMAL DUTY 2-BOLT FLANGE BEARINGS

Bearing Reference Guide

ULTRA KLEEN

E-Z KLEEN

Extreme Duty

Setscrew Ball Bearing

GRIP TIGHT

D-LOK Ball Bearing

Series	Shaft Size	Weight lbs kg	A	B	C#	D	F Bolt Dia.	H	J	L	M	N	Z
203	1/2	0.9	1.29	3.88	1.42	3.00	3/8	0.38	0.58	1.40	2.13	1.13	1.43
	5/8	0.8											
	17mm	0.3	32.8	98.6	36.1	76.2	M10	9.7	14.7	35.6	54.1	28.7	36.3
204	3/4	1.7	1.48	4.41	1.63	3.53	3/8	0.50	0.65	1.50	2.38	1.50	1.64
	20mm	0.6	37.6	112.0	41.4	89.7	M10	12.7	16.5	38.1	60.5	38.1	41.7
205	7/8	2.0	1.46	4.88	1.57	3.89	7/16	0.52	0.63	1.80	2.75	1.44	1.59
	15/16	1.9											
	1	1.8											
	25mm	0.8	37.1	124.0	39.9	98.8	M10	13.2	16.0	45.7	69.9	36.6	40.4
206	1-1/8	2.8	1.61	5.56	1.71	4.59	7/16	0.50	0.68	2.08	3.13	1.56	1.74
	1-3/16	2.7											
	1-1/4	2.5											
	30mm	1.3	40.9	141.2	43.4	116.7	M12	12.7	17.3	52.8	79.5	39.6	44.2
207	1-1/4	4.3	1.62	6.13	1.79	5.12	1/2	0.56	0.63	2.38	3.75	1.84	1.85
	1-3/8	4.1											
	1-7/16	3.9											
	35mm	1.9	41.1	155.7	45.5	130.0	M12	14.2	16.0	60.5	95.3	46.7	47.0
208	1-1/2	5.0	1.84	6.75	2.01	5.66	1/2	0.56	0.67	2.62	4.13	1.83	2.02
	1-5/8	4.8											
	40mm	2.3	46.7	171.5	51.1	143.8	M12	14.2	17.0	66.5	104.9	46.5	51.3
209	1-5/8	6.2	1.85	7.06	2.03	5.84	1/2	0.63	0.66	2.86	4.38	1.91	2.06
	1-11/16	6.1											
	1-3/4	6.0											
	45mm	2.7	47.0	179.3	51.6	148.3	M14	16.0	16.8	72.6	111.3	48.5	52.3
210	1-15/16	6.9	1.86	7.44	2.07	6.19	1/2	0.63	0.63	3.13	4.56	2.03	2.10
	2	6.8											
	50mm	3.2	47.2	189.0	52.6	157.2	M16	16.0	16.0	79.5	115.8	51.6	53.3
211	2	8.0	1.93	8.63	2.19	7.25	5/8	0.67	0.65	3.43	5.25	2.27	2.25
	2-3/16	7.9											
	2-1/4	7.8											
	55mm	3.7	49.0	219.2	55.6	184.2	M16	17.0	16.5	87.1	133.4	57.7	57.2
212	2-1/4	9.30	2.12	9.81	2.36	7.96	5/8	0.81	0.71	3.69	5.50	2.47	2.42
	2-7/16	9.2											
	60mm	4.5	53.8	249.2	59.9	202.1	M16	20.6	18.0	93.7	139.7	62.7	61.5

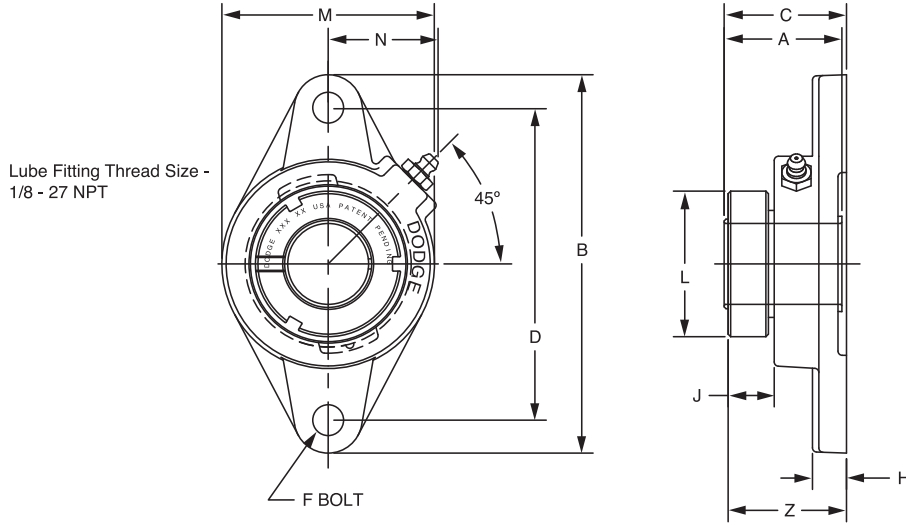
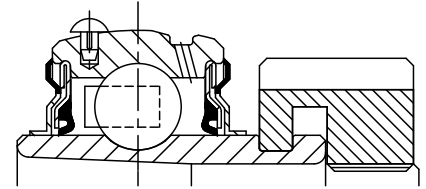
#C dimension will vary slightly depending on true shaft diameter.

FEATURES/BENEFITS PAGE B5-2	HOW TO ORDER/NOMENCLATURE PAGE B5-4	SELECTION PAGE B5-5	RELATED PRODUCTS PAGE B5-70
--------------------------------	--	------------------------	--------------------------------

SELECTION/DIMENSIONS



GRIP TIGHT Adapter Ball Bearings GTM MEDIUM DUTY 2-BOLT FLANGE BEARINGS



Series	Shaft Size	Complete Unit		Unit without Adapter Sleeve & Lock Nut		Adapter Sleeve & Lock Nut Assembly	
		Part No.	Description	Part No.	Description	Part No.	Description
205	3/4	129369	F2B-GTM-012	129492	F2B-GT-05	136597	AN-GTM-05-012-D
206	1 25mm	129330	F2B-GTM-100	129493	F2B-GT-06	136541	AN-GTM-06-100-D
		136268	F2B-GTM-25M			136561	AN-GTM-06-25M-D
207	1-3/16 1-1/4 30mm	129331	F2B-GTM-103	129494	F2B-GT-07	136542	AN-GTM-07-103-D
		129310	F2B-GT-104			136528	AN-GT-07-104-D
		136269	F2B-GTM-30M			136562	AN-GTM-07-30M-D
208	1-7/16 35mm	129332	F2B-GTM-107	129495	F2B-GT-08	136543	AN-GTM-08-107-D
		136270	F2B-GTM-35M			136563	AN-GTM-08-35M-D
209	1-1/2 1-5/8 40mm	129333	F2B-GTM-108	129496	F2B-GT-09	136598	AN-GTM-09-108-D
		129314	F2B-GT-110L			136531	AN-GT-09-110L-D
		136271	F2B-GTM-40M			136564	AN-GTM-09-40M-D
210	1-11/16 1-3/4 45mm	129334	F2B-GTM-111	129497	F2B-GT-10	136544	AN-GTM-10-111-D
		129335	F2B-GTM-112			136599	AN-GTM-10-112-D
		136272	F2B-GTM-405M			136565	AN-GTM-10-45M-D
211	1-15/16 2 50mm	129336	F2B-GTM-115	129498	F2B-GT-11	136545	AN-GTM-11-115-D
		129337	F2B-GTM-200			136600	AN-GTM-11-200-D
		136273	F2B-GTM-50M			136566	AN-GTM-11-50M-D
212	2-3/16 2-1/4 55mm	@	F2B-GTM-203	129078	F2B-GT-12	136546	AN-GTM-12-203-D
		064472	F2B-GTM-204			136601	AN-GTM-12-204-D
		136274	F2B-GTM-55M			136567	AN-GTM-12-55M-D

@ Assembled to order.

FEATURES/BENEFITS PAGE B5-2	HOW TO ORDER/NOMENCLATURE PAGE B5-4	SELECTION PAGE B5-5	RELATED PRODUCTS PAGE B5-70
--------------------------------	--	------------------------	--------------------------------

SELECTION/DIMENSIONS



GRIP TIGHT Adapter Ball Bearings GTM MEDIUM DUTY 2-BOLT FLANGE BEARINGS

Bearing Reference Guide

ULTRA KLEEN

E-Z KLEEN

Extreme Duty

Setscrew Ball Bearing

GRIP TIGHT

D-LOK Ball Bearing

Series	Shaft Size	Weight lbs kg	A	B	C#	D	F Bolt Dia.	H	J	L	M	N	Z
205	3/4	2.1	1.46	4.88	1.57	3.89	7/16	0.52	0.63	1.80	2.75	1.44	1.59
			37.1	124.0	39.9	98.8	M10	13.2	16.0	45.7	69.9	36.6	40.4
206	1 25mm	2.9	1.61	5.56	1.71	4.59	7/16	0.50	0.68	2.08	3.13	1.56	1.74
		1.4	40.9	141.2	43.4	116.7	M12	12.7	17.3	52.8	79.5	39.6	44.2
207	1-3/16 1-1/4 30mm	4.4	1.62	6.13	1.79	5.12	1/2	0.56	0.63	2.38	3.75	1.84	1.85
		4.3											
208	1-7/16 35mm	5.1	1.84	6.75	2.01	5.66	1/2	0.56	0.67	2.62	4.13	1.83	2.02
		2.5	46.7	171.5	51.1	143.8	M12	14.2	17.0	66.5	104.9	46.5	51.3
209	1-1/2 1-5/8 40mm	6.3	1.85	7.06	2.03	5.84	1/2	0.63	0.66	2.86	4.38	1.91	2.06
		6.2											
210	1-11/16 1-3/4 45mm	7.0	1.86	7.44	2.07	6.19	1/2	0.63	0.63	3.13	4.56	2.03	2.10
		6.9											
211	1-15/16 2 50mm	8.1	1.93	8.63	2.19	7.25	5/8	0.67	0.65	3.43	5.25	2.27	2.25
		8.0											
212	2-3/16 2-1/4 55mm	9.4	2.12	9.81	2.36	7.96	5/8	0.81	0.71	3.69	5.50	2.47	2.42
		9.3											
		4.6	53.8	249.2	59.9	202.1	M16	20.6	18.0	93.7	139.7	62.7	61.5

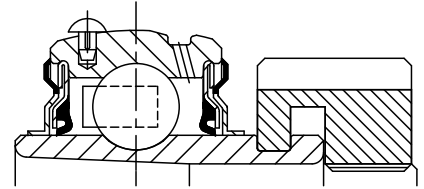
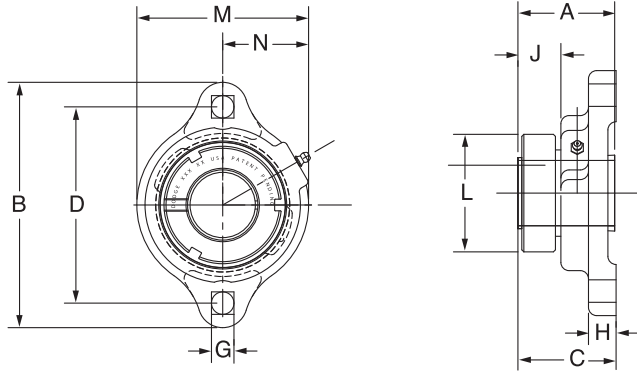
#C dimension will vary slightly depending on true shaft diameter.

FEATURES/BENEFITS PAGE B5-2	HOW TO ORDER/NOMENCLATURE PAGE B5-4	SELECTION PAGE B5-5	RELATED PRODUCTS PAGE B5-70
--------------------------------	--	------------------------	--------------------------------

SELECTION/DIMENSIONS



GRIP TIGHT Adapter Ball Bearings GT LFT NORMAL DUTY 2-BOLT FLANGE BEARINGS



Lube fitting thread size -
203 - 204 Series - 1/4-28 tapered thread
205 - 207 Series - 1/8 - 27 NPT

Series	Shaft Size	Complete Unit		Unit without Adapter & Nut		Adapter & Nut Assembly	
		Part No.	Description	Part No.	Description	Part No.	Description
203	1/2	136331	LFT-GT-008	136355	LFT-GT-03	136588	AN-GT-03-008-D
	5/8	136332	LFT-GT-010			136521	AN-GT-03-010-D
	17mm	@	LFT-GT-17M			136589	AN-GT-03-17M-D
204	3/4	136333	LFT-GT-012	136356	LFT-GT-04	136522	AN-GT-04-012-D
	20mm	068878	LFT-GT-20M			136553	AN-GT-04-20M-D
205	7/8	136334	LFT-GT-014	136357	LFT-GT-05	136590	AN-GT-05-014-D
	15/16	136335	LFT-GT-015			136523	AN-GT-05-015-D
	1	136336	LFT-GT-100			136524	AN-GT-05-100-D
	25mm	068685	LFT-GT-25M			136554	AN-GT-05-25M-D
206	1-1/8	136337	LFT-GT-102	136358	LFT-GT-06	136525	AN-GT-06-102-D
	1-3/16	136338	LFT-GT-103			136526	AN-GT-06-103-D
	1-1/4	136339	LFT-GT-104S			136527	AN-GT-06-104S-D
	30mm	075489	LFT-GT-30M			136555	AN-GT-06-30M-D
207	1-1/4	136340	LFT-GT-104	136359	LFT-GT-07	136528	AN-GT-07-104-D
	1-3/8	136341	LFT-GT-106			136591	AN-GT-07-106-D
	1-7/16	136342	LFT-GT-107			136529	AN-GT-07-107-D
	35mm	@	LFT-GT-35M			136556	AN-GT-07-35M-D

@ Assembled to order.

Series	Shaft Size	Weight lbs kg	A	B	C#	D	G	H	J	L	M	N*
203	1/2	0.70	1.29	3.19	1.30	2.50	0.28	0.38	0.58	1.40	2.13	1.23
	5/8	0.65										
	17mm	0.31	32.8	81.0	33.0	63.5	7.1	9.7	14.7	35.6	54.1	31.2
204	3/4	0.91	1.48	3.56	1.51	2.81	0.34	0.42	0.66	1.50	2.38	1.34
	20mm	0.40	37.6	90.4	38.4	71.4	8.6	10.7	16.8	38.1	60.5	34.0
205	7/8	1.07	1.46	3.75	1.46	3.00	0.34	0.42	0.58	1.80	2.63	1.44
	15/16	1.02										
	1	0.97										
206	25mm	0.43	37.1	95.3	37.1	76.2	8.6	10.7	14.7	45.7	66.8	36.6
	1-1/8	1.63	1.61	4.44	1.64	3.56	0.41	0.47	0.65	2.08	3.25	1.72
	1-3/16	1.53										
	1-1/4	1.48										
207	30mm	0.67	40.9	112.8	41.7	90.4	10.4	11.9	16.5	52.8	82.6	43.7
	1-1/4	1.99	1.62	4.82	1.63	3.94	0.41	0.50	0.57	2.38	3.50	1.83
207	1-3/8	1.89										
	1-7/16	1.84										
	35mm	0.83	41.1	122.4	41.4	100.1	10.4	12.7	14.5	60.5	88.9	46.5

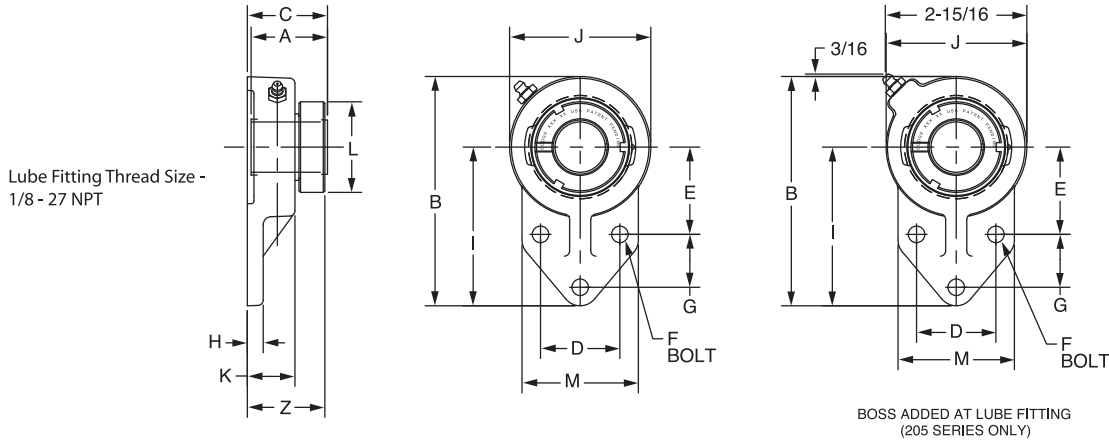
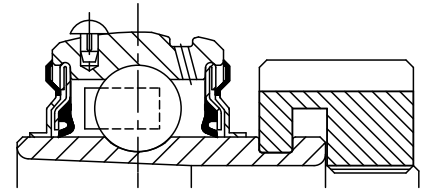
#C dimension will vary slightly depending on true shaft diameter

FEATURES/BENEFITS PAGE B5-2	HOW TO ORDER/NOMENCLATURE PAGE B5-4	SELECTION PAGE B5-5	RELATED PRODUCTS PAGE B5-70
--------------------------------	--	------------------------	--------------------------------

SELECTION/DIMENSIONS



GRIP TIGHT Adapter Ball Bearings GT NORMAL DUTY FLANGED BRACKETED BEARINGS



Series	Shaft Size	Complete Unit		Unit without Adapter Sleeve & Lock Nut		Adapter Sleeve & Lock Nut Assembly	
		Part No.	Description	Part No.	Description	Part No.	Description
204	3/4	129615	FB-GT-012	129511	FB-GT-04	136522	AN-GT-04-012-D
205	7/8	129616	FB-GT-014	129512	FB-GT-05	136590	AN-GT-05-014-D
	15/16	129617	FB-GT-015			136523	AN-GT-05-015-D
	1	129618	FB-GT-100			136524	AN-GT-05-100-D
206	1-1/8	129619	FB-GT-102	129513	FB-GT-06	136525	AN-GT-06-102-D
	1-3/16	129620	FB-GT-103			136526	AN-GT-06-103-D
	1-1/4	129621	FB-GT-104S			136527	AN-GT-06-104S-D
207	1-1/4	129622	FB-GT-104	129514	FB-GT-07	136528	AN-GT-07-104-D
	1-3/8	129623	FB-GT-106			136591	AN-GT-07-106-D
	1-7/16	129624	FB-GT-107			136529	AN-GT-07-107-D
210	1-15/16	129625	FB-GT-115	129515	FB-GT-10	136534	AN-GT-10-115-D
	2	129626	FB-GT-200			136535	AN-GT-10-200-D

Series	Shaft Size	Weight lbs	A	B	C#	D	E	F Bolt Dia.	G	H	I	J	K	L	M	Z
204	3/4	1.3	1.46	4.75	1.71	1.63	1.81	3/8	1.13	0.38	3.38	2.75	1.11	1.80	2.50	1.70
205	7/8	2.3	1.46	4.75	1.71	1.63	1.81	3/8	1.13	0.38	3.38	2.75	1.11	1.80	2.50	1.70
	15/16															
206	1	3.2	1.61	5.38	1.80	1.88	2.06	3/8	1.25	0.38	3.75	3.25	1.13	2.08	2.75	1.83
	1-1/8															
	1-3/16															
207	1-1/4	3.4	1.62	6.13	1.91	2.00	2.37	1/2	1.25	0.50	4.25	3.75	1.31	2.38	3.25	1.97
	1-3/8															
	1-7/16															
210	1-15/16	5.7	1.86	7.50	2.11	2.75	2.94	1/2	1.63	0.50	5.19	4.63	1.50	3.13	4.00	2.14
	2															

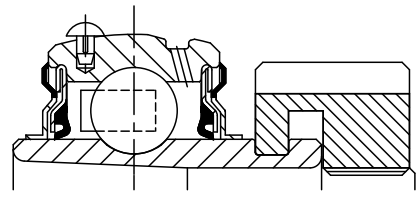
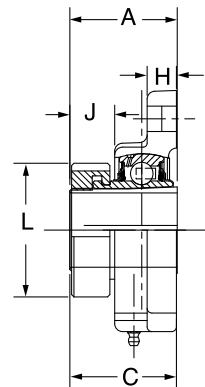
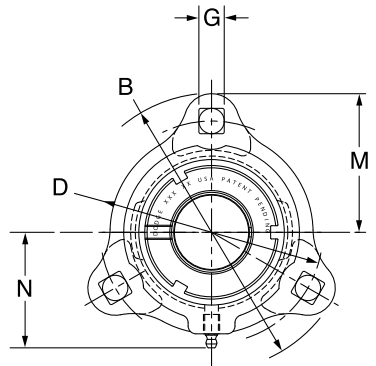
#C dimension will vary slightly depending on true shaft diameter.

FEATURES/BENEFITS PAGE B5-2	HOW TO ORDER/NOMENCLATURE PAGE B5-4	SELECTION PAGE B5-5	RELATED PRODUCTS PAGE B5-70
--------------------------------	--	------------------------	--------------------------------



SELECTION/DIMENSIONS

GRIP TIGHT Adapter Ball Bearings GT LF NORMAL DUTY 3-BOLT FLANGE BEARINGS



Lube fitting thread size -
 203 - 204 Series - 1/4-28 tapered thread
 205 - 207 Series - 1/8 - 27 NPT

Series	Shaft Size	Complete Unit		Unit without Adapter Sleeve & Lock Nut		Adapter Sleeve & Lock Nut Assembly	
		Part No.	Description	Part No.	Description	Part No.	Description
203	1/2	136343	LF-GT-008	136360	LF-GT-03	136588	AN-GT-03-008-D
	5/8	136344	LF-GT-010			136521	AN-GT-03-010-D
	17mm	@	LF-GT-17M			136589	AN-GT-03-17M-D
204	3/4	136345	LF-GT-012	136361	LF-GT-04	136522	AN-GT-04-012-D
	20mm	074017	LF-GT-20M			136553	AN-GT-04-20M-D
205	7/8	136346	LF-GT-014	136362	LF-GT-05	136590	AN-GT-05-014-D
	15/16	136347	LF-GT-015			136523	AN-GT-05-015-D
	1	136348	LF-GT-100			136524	AN-GT-05-100-D
	25mm	@	LF-GT-25M			136554	AN-GT-05-25M-D
206	1-1/8	136349	LF-GT-102	136363	LF-GT-06	136525	AN-GT-06-102-D
	1-3/16	136350	LF-GT-103			136526	AN-GT-06-103-D
	1-1/4	136351	LF-GT-104S			136527	AN-GT-06-104S-D
	30mm	@	LF-GT-30M			136555	AN-GT-06-30M-D
207	1-1/4	136352	LF-GT-104	136364	LF-GT-07	136528	AN-GT-07-104-D
	1-3/8	136353	LF-GT-106			136591	AN-GT-07-106-D
	1-7/16	136354	LF-GT-107			136529	AN-GT-07-107-D
	35mm	@	LF-GT-35M			136556	AN-GT-07-35M-D

Series	Shaft Size	Weight lbs kg	A	B	C#	D	G	H	J	L	M	N*
203	1/2	0.75	1.29	3.19	1.30	2.50	0.28	0.38	0.58	1.40	1.59	1.84
	5/8	0.70										
	17mm	0.33	32.8	81.0	33.0	63.5	7.1	9.7	14.7	35.6	40.4	46.7
204	3/4	0.95	1.48	3.56	1.51	2.81	0.34	0.42	0.66	1.50	1.78	1.56
	20mm	0.42	37.6	90.4	38.4	71.4	8.6	10.7	16.8	38.1	45.2	39.6
205	7/8	1.22	1.46	3.75	1.46	3.00	0.34	0.42	0.58	1.80	1.88	1.70
	15/16	1.17										
	1	1.12										
206	25mm	0.52	37.1	95.3	37.1	76.2	8.6	10.7	14.7	45.7	47.8	43.2
	1-1/8	1.78	1.61	4.44	1.64	3.56	0.41	0.47	0.65	2.08	2.22	2.02
	1-3/16	1.68										
	1-1/4	1.63										
207	30mm	0.74	40.9	112.8	41.7	90.4	10.4	11.9	16.5	52.8	56.4	51.3
	1-1/4	2.24	1.62	4.81	1.63	3.94	0.41	0.50	0.57	2.38	2.41	2.14
	1-3/8	2.14										
	1-7/16	2.09										
	35mm	0.95	41.1	122.2	41.4	100.1	10.4	12.7	14.5	60.5	61.2	54.4

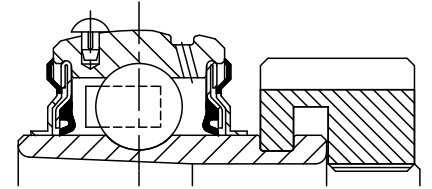
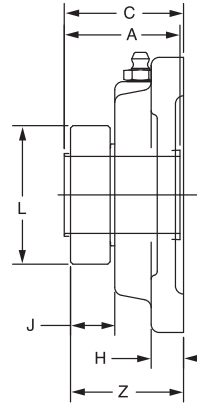
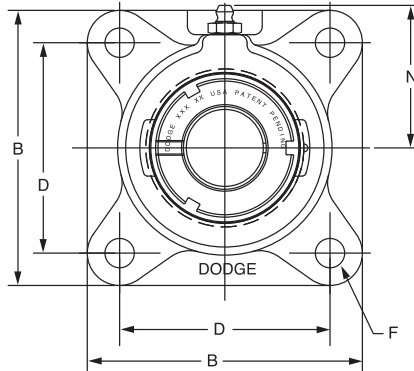
C dimension will vary slightly depending on true shaft diameter

FEATURES/BENEFITS PAGE B5-2	HOW TO ORDER/NOMENCLATURE PAGE B5-4	SELECTION PAGE B5-5	RELATED PRODUCTS PAGE B5-70
--------------------------------	--	------------------------	--------------------------------

SELECTION/DIMENSIONS



GRIP TIGHT Adapter Ball Bearings GT NORMAL DUTY 4-BOLT FLANGE BEARINGS



Lube Fitting Thread Size -
203 Series - 1/4-28 Tapered Thread
204 Series and Larger - 1/8-27 NPT

Series	Shaft Size	Complete Unit		Unit without Adapter Sleeve & Lock Nut		Adapter Sleeve & Lock Nut Assembly	
		Part No.	Description	Part No.	Description	Part No.	Description
203	1/2	129637	F4B-GT-008	129464	F4B-GT-03	136588	AN-GT-03-008-D
	5/8	129638	F4B-GT-010			136521	AN-GT-03-010-D
	17mm	129667	F4B-GT-17M			136589	AN-GT-03-17M-D
204	3/4	129639	F4B-GT-012	129465	F4B-GT-04	136522	AN-GT-04-012-D
	20mm	129668	F4B-GT-20M			136553	AN-GT-04-20M-D
205	7/8	129640	F4B-GT-014	129466	F4B-GT-05	136590	AN-GT-05-014-D
	15/16	129641	F4B-GT-015			136523	AN-GT-05-015-D
	1	129642	F4B-GT-100			136524	AN-GT-05-100-D
	25mm	129669	F4B-GT-25M			136554	AN-GT-05-25M-D
206	1-1/8	129643	F4B-GT-102	129467	F4B-GT-06	136525	AN-GT-06-102-D
	1-3/16	129644	F4B-GT-103			136526	AN-GT-06-103-D
	1-1/4	129645	F4B-GT-104S			136527	AN-GT-06-104S-D
	30mm	129670	F4B-GT-30M			136555	AN-GT-06-30M-D
207	1-1/4	129646	F4B-GT-104	129468	F4B-GT-07	136528	AN-GT-07-104-D
	1-3/8	129647	F4B-GT-106			136591	AN-GT-07-106-D
	1-7/16	129648	F4B-GT-107			136529	AN-GT-07-107-D
	35mm	129671	F4B-GT-35M			136556	AN-GT-07-35M-D

@Assembled to order

Series	Shaft Size	Weight lbs kg	A	B	C#	D	F Bolt Dia.	H	J	L	N	Z
203	1/2	1.4	1.29	3.00	1.42	2.13	3/8	0.44	0.58	1.40	1.69	1.43
	5/8	1.3										
	17mm	0.6	32.8	76.2	36.1	54.0	M10	11.2	14.7	35.6	42.9	36.3
204	3/4	1.7	1.48	3.38	1.63	2.5	3/8	0.44	0.65	1.50	1.94	1.64
	20mm	0.8	37.6	85.9	41.4	63.5	M10	11.2	16.5	38.1	49.3	41.7
205	7/8	2.2	1.46	3.75	1.57	2.75	7/16	0.50	0.63	1.80	2.06	1.59
	15/16	2.2										
	1	2.2										
206	25mm	1.0	37.1	95.3	39.9	69.9	M10	12.7	16.0	45.7	52.3	40.4
	1-1/8	3.8	1.61	4.25	1.71	3.25	7/16	0.50	0.68	2.08	2.19	1.74
	1-3/16	3.7										
	1-1/4	3.7										
207	30mm	1.7	40.9	108.0	43.4	82.6	M10	12.7	17.3	52.8	55.6	44.2
	1-1/4	4.4	1.62	4.75	1.79	3.63	1/2	0.56	0.63	2.38	2.44	1.85
	1-3/8	4.4										
207	1-7/16	4.3										
	35mm	2.0	41.1	120.7	45.5	92.1	M12	14.2	16.0	60.5	62.0	47.0

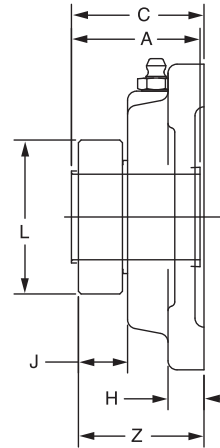
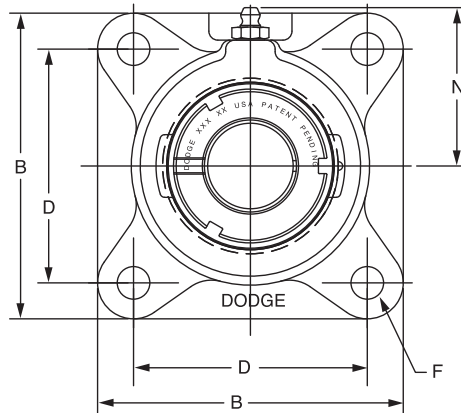
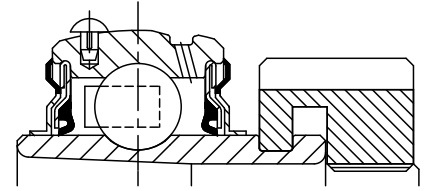
#C dimension will vary slightly depending on true shaft diameter.

FEATURES/BENEFITS PAGE B5-2	HOW TO ORDER/NOMENCLATURE PAGE B5-4	SELECTION PAGE B5-5	RELATED PRODUCTS PAGE B5-70
--------------------------------	--	------------------------	--------------------------------

SELECTION/DIMENSIONS



GRIP TIGHT Adapter Ball Bearings GT NORMAL DUTY 4-BOLT FLANGE BEARINGS



Lube Fitting Thread Size -
203 Series - 1/4-28 Tapered Thread
204 Series and Larger - 1/8-27 NPT

Series	Shaft Size	Complete Unit		Unit without Adapter Sleeve & Lock Nut		Adapter Sleeve & Lock Nut Assembly	
		Part No.	Description	Part No.	Description	Part No.	Description
208	1-1/2	129649	F4B-GT-108	129469	F4B-GT-08	136530	AN-GT-08-108-D
	1-5/8	129374	F4B-GT-110			136592	AN-GT-08-110-D
	40mm	129672	F4B-GT-40M			136593	AN-GT-08-40M-D
209	1-5/8	129650	F4B-GT-110L	129470	F4B-GT-09	136531	AN-GT-09-110L-D
	1-11/16	129651	F4B-GT-111			136532	AN-GT-09-111-D
	1-3/4	129652	F4B-GT-112			136533	AN-GT-09-112-D
	45mm	129673	F4B-GT-45M			136557	AN-GT-09-45M-D
210	1-15/16	129653	F4B-GT-115	129471	F4B-GT-10	136534	AN-GT-10-115-D
	2	129654	F4B-GT-200			136535	AN-GT-10-200-D
	50mm	129674	F4B-GT-50M			136558	AN-GT-10-50M-D
211	2	129687	F4B-GTM-200	129472	F4B-GT-11	136600	AN-GTM-11-200-D
	2-3/16	129655	F4B-GT-203			136536	AN-GT-11-203-D
	2-1/4	129379	F4B-GT-204			136537	AN-GT-11-204-D
	55mm	129675	F4B-GT-55M			136559	AN-GT-11-55M-D
212	2-1/4	129689	F4B-GTM-204	129473	F4B-GT-12	136601	AN-GTM-12-204-D
	2-7/16	129656	F4B-GT-207			136538	AN-GT-12-207-D
	60mm	129676	F4B-GT-60M			136594	AN-GT-12-60M-D
214	2-1/2	129691	F4B-GTM-208	129474	F4B-GT-14	136548	AN-GTM-14-208-D
	2-11/16	129657	F4B-GT-211			136539	AN-GT-14-211-D
	70mm	129677	F4B-GT-70M			136560	AN-GT-14-70M-D
215	2-15/16	129658	F4B-GT-215	129475	F4B-GT-15	136540	AN-GT-15-215-D
	3	075700	F4B-GT-300			136595	AN-GT-15-300-D
	75mm	129678	F4B-GT-75M			136596	AN-GT-15-75M-D

@Assembled to order

FEATURES/BENEFITS PAGE B5-2	HOW TO ORDER/NOMENCLATURE PAGE B5-4	SELECTION PAGE B5-5	RELATED PRODUCTS PAGE B5-70
--------------------------------	--	------------------------	--------------------------------

SELECTION/DIMENSIONS



GRIP TIGHT Adapter Ball Bearings GT NORMAL DUTY 4-BOLT FLANGE BEARINGS

Bearing Reference Guide

ULTRA KLEEN

E-Z KLEEN

Extreme Duty

Setscrew Ball Bearing

GRIP TIGHT

D-LOK Ball Bearing

Series	Shaft Size	Weight lbs kg	A	B	C#	D	F Bolt Dia.	H	J	L	N	Z
208	1-1/2	5.8	1.84	5.13	2.01	4.00	1/2	0.56	0.67	2.62	2.38	2.02
	1-5/8	5.6										
	40mm	2.6	46.7	130.3	51.1	101.6	M12	14.2	17.0	66.5	60.5	51.3
209	1-5/8	6.0	1.85	5.38	2.03	4.13	1/2	0.63	0.66	2.86	2.75	2.06
	1-11/16	6.0										
	1-3/4	5.9										
210	45mm	2.7	47.0	136.7	51.6	104.8	M12	16.0	16.8	72.6	69.9	52.3
	1-15/16	6.6	1.86	5.63	2.07	4.38	1/2	0.63	0.63	3.13	2.88	2.10
	2	6.5										
211	50mm	3.1	47.2	143.0	52.6	111.1	M12	16.0	16.0	79.5	73.2	53.3
	2	10.1	1.93	6.50	2.19	5.13	5/8	0.69	0.65	3.43	3.25	2.25
	2-3/16	9.7										
212	2-1/4	9.6										
	55mm	5.0	49.0	165.1	55.6	130.2	M16	17.5	16.5	87.1	82.6	57.2
	2-1/4	11.9	2.12	6.88	2.36	5.63	5/8	0.69	0.71	3.69	3.50	2.43
214	2-7/16	11.2										
	60mm	5.9	53.8	174.8	59.9	142.9	M16	17.5	18.0	93.7	88.9	61.7
	2-1/2	15.9	2.39	7.38	2.85	5.88	5/8	0.69	0.70	4.00	3.69	2.89
215	2-11/16	15.4										
	70mm	6.6	60.7	187.5	72.4	149.2	M16	17.5	17.8	101.6	93.7	73.4
	2-15/16	16.4	2.46	7.75	3.02	6.00	3/4	1.00	0.77	4.44	3.88	3.02
215	3	16.2										
	75mm	8.6	62.5	196.9	76.7	152.4	M18	25.4	19.6	112.8	98.6	76.7

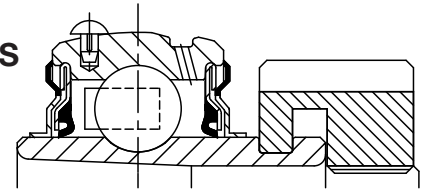
#C dimension will vary slightly depending on true shaft diameter.

FEATURES/BENEFITS PAGE B5-2	HOW TO ORDER/NOMENCLATURE PAGE B5-4	SELECTION PAGE B5-5	RELATED PRODUCTS PAGE B5-70
--------------------------------	--	------------------------	--------------------------------

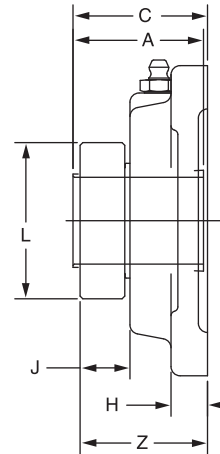
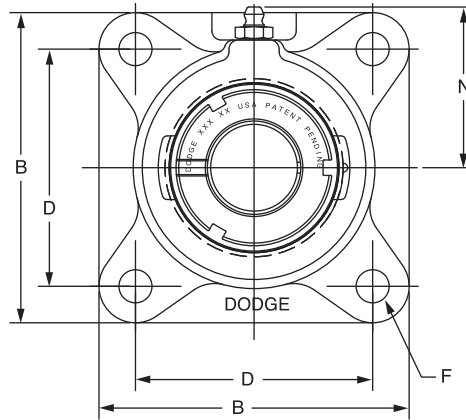
SELECTION/DIMENSIONS



GRIP TIGHT Adapter Ball Bearings GTAH AIR HANDLING NORMAL DUTY 4-BOLT FLANGE BEARINGS



Lube Fitting Thread Size -
203 Series - 1/4-28 Tapered Thread
204 Series and Large - 1/8-27 NPT



Series	Shaft Size	Complete Unit		Unit without Adapter Sleeve & Lock Nut		Adapter Sleeve & Lock Nut Assembly	
		Part No.	Description	Part No.	Description	Part No.	Description
203	1/2	@	F4B-GTAH-008	@	F4B-GTAH-03	136588	AN-GT-03-008-D
	5/8	@	F4B-GTAH-010			136521	AN-GT-03-010-D
	17mm	@	F4B-GTAH-17M			136589	AN-GT-03-17M-D
204	3/4	@	F4B-GTAH-012	@	F4B-GTAH-04	136522	AN-GT-04-012-D
	20mm	@	F4B-GTAH-20M			136553	AN-GT-04-20M-D
205	7/8	@	F4B-GTAH-014	129476	F4B-GTAH-05	136590	AN-GT-05-014-D
	15/16	075679	F4B-GTAH-015			136523	AN-GT-05-015-D
	1	129659	F4B-GTAH-100			136524	AN-GT-05-100-D
	25mm	@	F4B-GTAH-25M			136554	AN-GT-05-25M-D
206	1-1/8	@	F4B-GTAH-102	129477	F4B-GTAH-06	136525	AN-GT-06-102-D
	1-3/16	129660	F4B-GTAH-103			136526	AN-GT-06-103-D
	1-1/4	@	F4B-GTAH-104S			136527	AN-GT-06-104S-D
	30mm	@	F4B-GTAH-30M			136555	AN-GT-06-30M-D
207	1-1/4	@	F4B-GTAH-104	129478	F4B-GTAH-07	136528	AN-GT-07-104-D
	1-3/8	@	F4B-GTAH-106			136591	AN-GT-07-106-D
	1-7/16	129661	F4B-GTAH-107			136529	AN-GT-07-107-D
	35mm	@	F4B-GTAH-35M			136556	AN-GT-07-35M-D

@Assembled to order

FEATURES/BENEFITS PAGE B5-2	HOW TO ORDER/NOMENCLATURE PAGE B5-4	SELECTION PAGE B5-5	RELATED PRODUCTS PAGE B5-70
--------------------------------	--	------------------------	--------------------------------

SELECTION/DIMENSIONS



GRIP TIGHT Adapter Ball Bearings GTAH AIR HANDLING NORMAL DUTY 4-BOLT FLANGE BEARINGS

Bearing Reference Guide

ULTRA KLEEN

E-Z KLEEN

Extreme Duty

Setscrew Ball Bearing

GRIP TIGHT

D-LOK Ball Bearing

Series	Shaft Size	Weight lbs kg	A	B	C#	D	F Bolt Dia.	H	J	L	N	Z
203	1/2	1.4	1.29	3.00	1.42	2.13	3/8	0.44	0.58	1.40	1.69	1.43
	5/8	1.3										
	17mm	0.6	32.8	76.2	36.1	54.0	M10	11.2	14.7	35.6	42.9	36.3
204	3/4	1.7	1.48	3.38	1.63	2.5	3/8	0.44	0.65	1.50	1.94	1.64
	20mm	0.8	37.6	85.9	41.4	63.5	M10	11.2	16.5	38.1	49.3	41.7
205	7/8	2.2	1.46	3.75	1.57	2.75	7/16	0.50	0.63	1.80	2.06	1.59
	15/16	2.2										
	1	2.2										
206	25mm	1.0	37.1	95.3	39.9	69.9	M10	12.7	16.0	45.7	52.3	40.4
	1-1/8	3.8	1.61	4.25	1.71	3.25	7/16	0.50	0.68	2.08	2.19	1.74
	1-3/16	3.7										
207	1-1/4	4.4	1.62	4.75	1.79	3.63	1/2	0.56	0.63	2.38	2.44	1.85
	1-3/8	4.4										
	1-7/16	4.3										
	35mm	2.0	41.1	120.7	45.5	92.1	M12	14.2	16.0	60.5	62.0	47.0

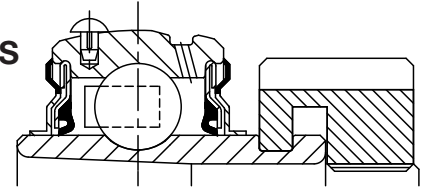
#C dimension will vary slightly depending on true shaft diameter.

FEATURES/BENEFITS PAGE B5-2	HOW TO ORDER/NOMENCLATURE PAGE B5-4	SELECTION PAGE B5-5	RELATED PRODUCTS PAGE B5-70
--------------------------------	--	------------------------	--------------------------------

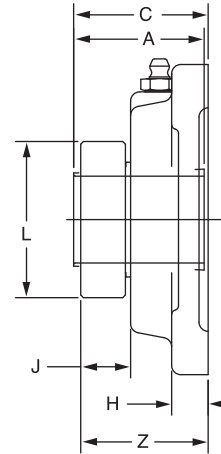
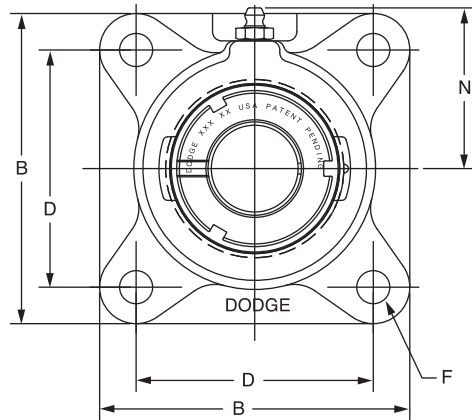
SELECTION/DIMENSIONS



GRIP TIGHT Adapter Ball Bearings GTAH AIR HANDLING NORMAL DUTY 4-BOLT FLANGE BEARINGS



Lube Fitting Thread Size -
203 Series - 1/4-28 Tapered Thread
204 Series and Large - 1/8-27 NPT



Series	Shaft Size	Complete Unit		Unit without Adapter Sleeve & Lock Nut		Adapter Sleeve & Lock Nut Assembly	
		Part No.	Description	Part No.	Description	Part No.	Description
208	1-1/2	@	F4B-GTAH-108	129479	F4B-GTAH-08	136530	AN-GT-08-108-D
	1-5/8	@	F4B-GTAH-110			136592	AN-GT-08-110-D
	40mm	@	F4B-GTAH-40M			136593	AN-GT-08-40M
209	1-5/8	@	F4B-GTAH-110L	129480	F4B-GTAH-09	136531	AN-GT-09-110L-D
	1-11/16	129662	F4B-GTAH-111			136532	AN-GT-09-111-D
	1-3/4	065607	F4B-GTAH-112			136533	AN-GT-09-112-D
	45mm	@	F4B-GTAH-45M			136557	AN-GT-09-45M-D
210	1-15/16	129663	F4B-GTAH-115	129481	F4B-GTAH-10	136534	AN-GT-10-115-D
	2	@	F4B-GTAH-200			136535	AN-GT-10-200-D
	50mm	068273	F4B-GTAH-50M			136558	AN-GT-10-50M-D
211	2	@	F4B-GTMAH-200	129482	F4B-GTAH-11	136600	AN-GTM-11-200-D
	2-3/16	129664	F4B-GTAH-203			136536	AN-GT-11-203-D
	2-1/4	@	F4B-GTAH-204			136537	AN-GT-11-204-D
	55mm	@	F4B-GTAH-55M			136559	AN-GT-11-55M-D
212	2-1/4	@	F4B-GTMAH-204	129483	F4B-GTAH-12	136601	AN-GTM-12-204
	2-7/16	129665	F4B-GTAH-207			136538	AN-GT-12-207-D
	60mm	@	F4B-GTAH-60M			136594	AN-GT-12-60M-D
214	2-1/2	@	F4B-GTMAH-208	129484	F4B-GTAH-14	136547	AN-GTM-14-208-D
	2-11/16	@	F4B-GTAH-211			136548	AN-GT-14-211-D
	70mm	@	F4B-GTAH-70M			136568	AN-GT-14-70M-D
215	2-15/16	129666	F4B-GTAH-215	129485	F4B-GTAH-15	136540	AN-GT-15-215-D
	3	@	F4B-GTAH-300			136595	AN-GT-15-300-D
	75mm	@	F4B-GTAH-75M			136596	AN-GT-15-75M-D

@Assembled to order

FEATURES/BENEFITS PAGE B5-2	HOW TO ORDER/NOMENCLATURE PAGE B5-4	SELECTION PAGE B5-5	RELATED PRODUCTS PAGE B5-70
--------------------------------	--	------------------------	--------------------------------

SELECTION/DIMENSIONS



GRIP TIGHT Adapter Ball Bearings GTAH AIR HANDLING NORMAL DUTY 4-BOLT FLANGE BEARINGS

Bearing Reference Guide

ULTRA KLEEN

E-Z KLEEN

Extreme Duty

Setscrew Ball Bearing

GRIP TIGHT

D-LOK Ball Bearing

Series	Shaft Size	Weight lbs kg	A	B	C#	D	F Bolt Dia.	H	J	L	N	Z
208	1-1/2	5.8	1.84	5.13	2.01	4.00	1/2	0.56	0.67	2.62	2.38	2.02
	1-5/8	5.6										
	40mm	2.6	46.7	130.3	51.1	101.6	M12	14.2	17.0	66.5	60.5	51.3
209	1-5/8	6.0	1.85	5.38	2.03	4.13	1/2	0.63	0.66	2.86	2.75	2.06
	1-11/16	6.0										
	1-3/4	5.9										
210	45mm	2.7	47.0	136.7	51.6	104.8	M14	16.0	16.8	72.6	69.9	52.3
	1-15/16	6.6	1.86	5.63	2.07	4.38	1/2	0.63	0.63	3.13	2.88	2.10
	2	6.5										
211	50mm	3.1	47.2	143.0	52.6	111.1	M16	16.0	16.0	79.5	73.2	53.3
	2	10.1	1.93	6.50	2.19	5.13	5/8	0.69	0.65	3.43	3.25	2.25
	2-3/16	9.7										
212	2-1/4	11.9	2.12	6.88	2.36	5.63	5/8	0.69	0.71	3.69	3.50	2.43
	2-7/16	11.2										
	60mm	5.9	53.8	174.8	59.9	142.9	M16	17.5	18.0	93.7	88.9	61.7
214	2-1/2	15.9	2.39	7.38	2.85	5.88	5/8	0.69	0.70	4.00	3.69	2.89
	2-11/16	15.4										
	70mm	6.6	60.7	187.5	72.4	149.2	M16	17.5	17.8	101.6	93.7	73.4
215	2-15/16	16.4	2.46	7.75	3.02	6.00	3/4	1.00	0.77	4.44	3.88	3.02
	3	16.2										
	75mm	8.6	62.5	196.9	76.7	152.4	M18	25.4	19.6	112.8	98.6	76.7

#C dimension will vary slightly depending on true shaft diameter.

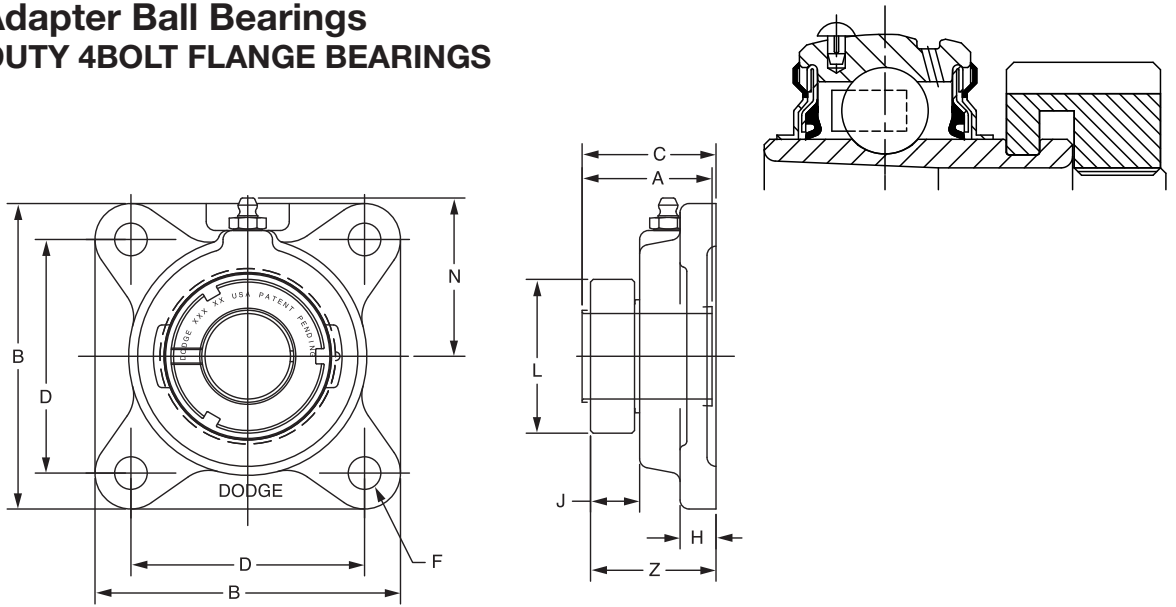
FEATURES/BENEFITS PAGE B5-2	HOW TO ORDER/NOMENCLATURE PAGE B5-4	SELECTION PAGE B5-5	RELATED PRODUCTS PAGE B5-70
--------------------------------	--	------------------------	--------------------------------

SELECTION/DIMENSIONS



GRIP TIGHT Adapter Ball Bearings GTM MEDIUM DUTY 4BOLT FLANGE BEARINGS

Lube Fitting Thread Size -
1/8 - 27 NPT



Series	Shaft Size	Complete Unit		Unit without Adapter Sleeve & Lock Nut		Adapter Sleeve & Lock Nut Assembly	
		Part No.	Description	Part No.	Description	Part No.	Description
205	3/4	129679	F4B-GTM-012	129466	F4B-GT-05	136597	AN-GTM-05-012-D
206	1 25mm	129680	F4B-GTM-100	129467	F4B-GT-06	136541	AN-GTM-06-100-D
		136275	F4B-GTM-25M			136561	AN-GTM-06-25M-D
207	1-3/16 1-1/4 30mm	129681	F4B-GTM-103	129468	F4B-GT-07	136542	AN-GTM-07-103-D
		129646	F4B-GT-104			136528	AN-GT-07-104-D
		136276	F4B-GTM-30M			136562	AN-GTM-07-30M-D
208	1-7/16 35mm	129682	F4B-GTM-107	129469	F4B-GT-08	136543	AN-GTM-08-107-D
		136277	F4B-GTM-35M			136563	AN-GTM-08-35M-D
209	1-1/2 40mm	129683	F4B-GTM-108	129470	F4B-GT-09	136598	AN-GTM-09-108-D
		136278	F4B-GTM-40M			136564	AN-GTM-09-40M-D
210	1-11/16 1-3/4 45mm	129684	F4B-GTM-111	129471	F4B-GT-10	136544	AN-GTM-10-111-D
		129685	F4B-GTM-112			136599	AN-GTM-10-112-D
		136279	F4B-GTM-45M			136565	AN-GTM-10-45M-D
211	1-15/16 2 50mm	129686	F4B-GTM-115	129472	F4B-GT-11	136545	AN-GTM-11-115-D
		129687	F4B-GTM-200			136600	AN-GTM-11-200-D
		136280	F4B-GTM-50M			136566	AN-GTM-11-50M-D
212	2-3/16 2-1/4 55mm	129688	F4B-GTM-203	129473	F4B-GT-12	136546	AN-GTM-12-203-D
		129689	F4B-GTM-204			136601	AN-GTM-12-204-D
		136281	F4B-GTM-55M			136567	AN-GTM-12-55M-D
214	2-7/16 2-1/2 65mm	129690	F4B-GTM-207	129474	F4B-GT-14	136547	AN-GTM-14-207-D
		129691	F4B-GTM-208			136548	AN-GTM-14-208-D
		136282	F4B-GTM-65M			136568	AN-GTM-14-65M-D
215	2-11/16 70mm	129692	F4B-GTM-211	129475	F4B-GT-15	136549	AN-GTM-15-211-D
		136283	F4B-GTM-70M			136569	AN-GTM-15-70M-D
216	2-15/16 3 75mm	129693	F4B-GTM-215	129486	F4B-GT-16	136550	AN-GTM-16-215-D
		129694	F4B-GTM-300			136551	AN-GTM-16-300-D
		136284	F4B-GTM-75M			136570	AN-GTM-16-75M-D
218	3-7/16 3-1/2 85mm	129695	F4B-GTM-307	129487	F4B-GT-18	136552	AN-GTM-18-307-D
		129696	F4B-GTM-308			136603	AN-GTM-18-308-D
		136285	F4B-GTM-85M			136571	AN-GTM-18-85M-D

@Assembled to order

FEATURES/BENEFITS PAGE B5-2	HOW TO ORDER/NOMENCLATURE PAGE B5-4	SELECTION PAGE B5-5	RELATED PRODUCTS PAGE B5-70
--------------------------------	--	------------------------	--------------------------------

SELECTION/DIMENSIONS



GRIP TIGHT Adapter Ball Bearings GTM MEDIUM DUTY 4-BOLT FLANGE BEARINGS

Bearing Reference Guide

ULTRA KLEEN

E-Z KLEEN

Extreme Duty

Setscrew Ball Bearing

GRIP TIGHT

D-LOK Ball Bearing

Series	Shaft Size	Weight lbs. kg	A	B	C#	D	F Bolt Dia.	H	J	L	N	Z
205	3/4	2.3	1.46 37.1	3.75 95.3	1.57 39.9	2.75 69.9	7/16 M10	0.50 12.7	0.63 16.0	1.80 45.7	2.06 52.3	1.59 40.4
206	1 25mm	3.9 1.9	1.61 40.9	4.25 108.0	1.71 43.4	3.25 82.6	7/16 M10	0.50 12.7	0.68 17.3	2.08 52.8	2.19 55.6	1.74 44.2
207	1-3/16 1-1/4 30mm	4.5 4.4 2.2	1.62 41.1	4.75 120.7	1.79 45.5	3.63 92.1	1/2 M12	0.56 14.2	0.63 16.0	2.38 60.5	2.44 62.0	1.85 47.0
208	1-7/16 35mm	5.9 2.9	1.84 46.7	5.13 130.3	2.01 51.1	4.00 101.6	1/2 M12	0.56 14.2	0.67 17.0	2.62 66.5	2.38 60.5	2.02 51.3
209	1-1/2 40mm	6.1 3.0	1.85 47.0	5.38 136.7	2.03 51.6	4.13 104.8	1/2 M12	0.63 16.0	0.66 16.8	2.86 72.6	2.75 69.9	2.06 52.3
210	1-11/16 1-3/4 45mm	7.1 7.0 3.4	1.86 47.2	5.63 143.0	2.07 52.6	4.38 111.1	1/2 M12	0.63 16.0	0.63 16.0	3.13 79.5	2.88 73.2	2.10 53.3
211	1-15/16 2 50mm	11.1 11.0 5.4	1.93 49.0	6.50 165.1	2.19 55.6	5.13 130.2	5/8 M16	0.69 17.5	0.65 16.5	3.43 87.1	3.25 82.6	2.25 57.2
212	2-3/16 2-1/4 55mm	13.4 13.3 6.5	2.12 53.8	6.88 174.8	2.36 59.9	5.63 142.9	5/8 M16	0.69 17.5	0.71 18.0	3.69 93.7	3.50 88.9	2.43 61.7
214	2-7/16 2-1/2 65mm	14.7 14.6 7.1	2.39 60.7	7.38 187.5	2.85 72.4	5.88 149.2	5/8 M16	0.69 17.5	0.70 17.8	4.00 101.6	3.69 93.7	2.89 73.4
215	2-11/16 70mm	19.0 9.2	2.46 62.5	7.75 196.9	3.02 76.7	6.00 152.4	3/4 M18	1.00 25.4	0.77 19.6	4.44 112.8	3.88 98.6	3.02 76.7
216	2-15/16 3 75mm	20.70 20.6 10.0	2.70 68.6	7.75 196.9	3.40 86.4	6.00 152.4	3/4 M18	0.88 22.4	0.87 22.1	4.69 119.1	4.09 103.9	3.37 85.6
218	3-7/16 3-1/2 85mm	36.1 17.5	2.80 71.1	8.44 214.4	3.62 91.9	6.75 171.5	3/4 M18	1.00 25.4	0.81 20.6	5.19 131.8	4.63 117.6	3.59 91.2

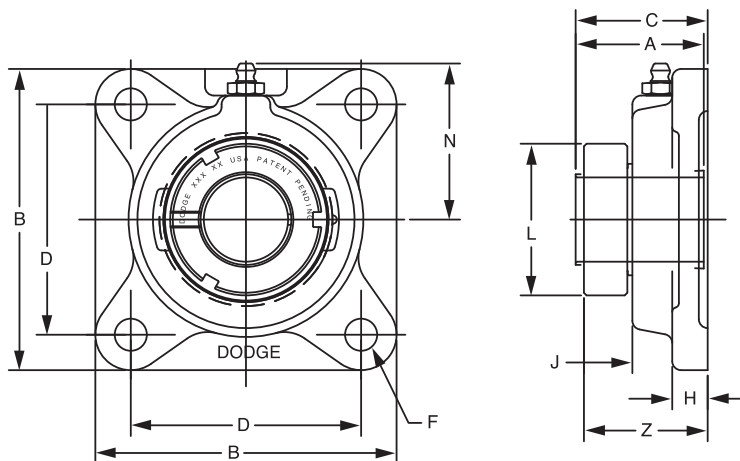
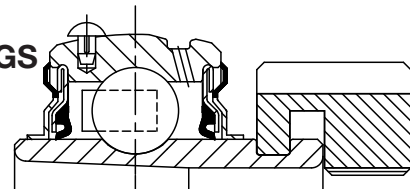
#C dimension will vary slightly depending on true shaft diameter.

FEATURES/BENEFITS PAGE B5-2	HOW TO ORDER/NOMENCLATURE PAGE B5-4	SELECTION PAGE B5-5	RELATED PRODUCTS PAGE B5-70
--------------------------------	--	------------------------	--------------------------------

SELECTION/DIMENSIONS



GRIP TIGHT Adapter Ball Bearings GTMAH AIR HANDLING MEDIUM DUTY 4-BOLT FLANGE BEARINGS



Lube Fitting Thread Size - 1/8 - 27 NPT

Series	Shaft Size	Complete Unit		Unit without Adapter Sleeve & Lock Nut		Adapter Sleeve & Lock Nut Assembly	
		Part No.	Description	Part No.	Description	Part No.	Description
205	3/4	@	F4B-GTMAH-012	129476	F4B-GTAH-05	136597	AN-GTM-05-012-D
206	1	129697	F4B-GTMAH-100	129477	F4B-GTAH-06	136541	AN-GTM-06-100-D
	25mm	@	F4B-GTMAH-25M			136561	AN-GTM-06-25M-D
207	1-3/16	129698	F4B-GTMAH-103	129478	F4B-GTAH-07	136542	AN-GTM-07-103-D
	1-1/4	@	F4B-GTAH-104			136528	AN-GT-07-104-D
	30mm	@	F4B-GTMAH-30M			136562	AN-GTM-07-30M-D
208	1-7/16	129699	F4B-GTMAH-107	129479	F4B-GTAH-08	136543	AN-GTM-08-107-D
	35mm	@	F4B-GTMAH-35M			136563	AN-GTM-08-35M-D
209	1-1/2	075313	F4B-GTMAH-108	129480	F4B-GTAH-09	136598	AN-GTM-09-108-D
210	40mm	@	F4B-GTMAH-40M	129481	F4B-GTAH-10	136564	AN-GTM-09-40M-D
	1-11/16	064670	F4B-GTMAH-111			136544	AN-GTM-10-111-D
211	1-3/4	@	F4B-GTMAH-112	129482	F4B-GTAH-11	136599	AN-GTM-10-112-D
	45mm	@	F4B-GTMAH-45M			136565	AN-GTM-10-45M-D
	1-15/16	129700	F4B-GTMAH-115			136545	AN-GTM-11-115-D
212	2	@	F4B-GTMAH-200	129483	F4B-GTAH-12	136600	AN-GTM-11-200-D
	50mm	@	F4B-GTMAH-50M			136566	AN-GTM-11-50M-D
	2-3/16	129701	F4B-GTMAH-203			136546	AN-GTM-12-203-D
214	2-1/4	@	F4B-GTMAH-204	129484	F4B-GTAH-14	136601	AN-GTM-12-204-D
	55mm	@	F4B-GTMAH-55M			136567	AN-GTM-12-55M-D
	2-7/16	129702	F4B-GTMAH-207			136547	AN-GTM-14-207-D
215	2-1/2	075792	F4B-GTMAH-208	129485	F4B-GTAH-15	136548	AN-GTM-14-208-D
	65mm	@	F4B-GTMAH-65M			136568	AN-GTM-14-65M-D
216	2-11/16	@	F4B-GTMAH-211	129488	F4B-GTAH-16	136549	AN-GTM-11-211-D
	70mm	@	F4B-GTMAH-70M			136569	AN-GTM-11-70M-D
	2-15/16	129703	F4B-GTMAH-215			136550	AN-GTM-16-215-D
218	3	075314	F4B-GTMAH-300	129489	F4B-GTAH-18	136551	AN-GTM-16-300-D
	75mm	@	F4B-GTMAH-75M			136570	AN-GTM-16-75M-D
	3-7/16	129704	F4B-GTMAH-307			136552	AN-GTM-18-307-D
218	3-1/2	@	F4B-GTMAH-308	129489	F4B-GTAH-18	136603	AN-GTM-18-308-D
	85mm	@	F4B-GTMAH-85M			136571	AN-GTM-18-85M-D

FEATURES/BENEFITS PAGE B5-2	HOW TO ORDER/NOMENCLATURE PAGE B5-4	SELECTION PAGE B5-5	RELATED PRODUCTS PAGE B5-70
--------------------------------	--	------------------------	--------------------------------

SELECTION/DIMENSIONS



GRIP TIGHT Adapter Ball Bearings GTMAH AIR HANDLING MEDIUM DUTY 4-BOLT FLANGE BEARINGS

Bearing Reference Guide

ULTRA KLEEN

E-Z KLEEN

Extreme Duty

Setscrew Ball Bearing

GRIP TIGHT

D-LOK Ball Bearing

Series	Shaft Size	Weight lbs. kg	A	B	C#	D	F Bolt Dia.	H	J	L	N	Z
205	3/4	2.3	1.46	3.75	1.57	2.75	7/16	0.50	0.63	1.80	2.06	1.59
			37.1	95.3	39.9	69.9	M10	12.7	16.0	45.7	52.3	40.4
206	1 25mm	3.9 1.9	1.61	4.25	1.71	3.25	7/16	0.50	0.68	2.08	2.19	1.74
			40.9	108.0	43.4	82.6	M10	12.7	17.3	52.8	55.6	44.2
207	1-3/16 1-1/4 30mm	4.5 4.4 2.2	1.62	4.75	1.79	3.63	1/2	0.56	0.63	2.38	2.44	1.85
			41.1	120.7	45.5	92.1	M12	14.2	16.0	60.5	62.0	47.0
208	1-7/16 35mm	5.9 2.9	1.84	5.13	2.01	4.00	1/2	0.56	0.67	2.62	2.38	2.02
			46.7	130.3	51.1	101.6	M12	14.2	17.0	66.5	60.5	51.3
209	1-1/2 40mm	6.1 3.0	1.85	5.38	2.03	4.13	1/2	0.63	0.66	2.86	2.75	2.06
			47.0	136.7	51.6	104.8	M14	16.0	16.8	72.6	69.9	52.3
210	1-11/16 1-3/4 45mm	7.1 7.0 3.4	1.86	5.63	2.07	4.38	1/2	0.63	0.63	3.13	2.88	2.10
			47.2	143.0	52.6	111.1	M16	16.0	16.0	79.5	73.2	53.3
211	1-15/16 2 50mm	11.1 11.0 5.4	1.93	6.50	2.19	5.13	5/8	0.69	0.65	3.43	3.25	2.25
			49.0	165.1	55.6	130.2	M16	17.5	16.5	87.1	82.6	57.2
212	2-3/16 2-1/4 55mm	13.4 13.3 6.5	2.12	6.88	2.36	5.63	5/8	0.69	0.71	3.69	3.50	2.43
			53.8	174.8	59.9	142.9	M16	17.5	18.0	93.7	88.9	61.7
214	2-7/16 2-1/2 65mm	14.7 14.6 7.1	2.39	7.38	2.85	5.88	5/8	0.69	0.70	4.00	3.69	2.89
			60.7	187.5	72.4	149.2	M16	17.5	17.8	101.6	93.7	73.4
215	2-11/16 70mm	19.0 9.2	2.46	7.75	3.02	6.00	3/4	1.00	0.77	4.44	3.88	3.02
			62.5	196.9	76.7	152.4	M18	25.4	19.6	112.8	98.6	76.7
216	2-15/16 3 75mm	20.7 20.6 10.0	2.70	7.75	3.40	6.00	3/4	0.88	0.87	4.69	4.09	3.37
			68.6	196.9	86.4	152.4	M18	22.4	22.1	119.1	103.9	85.6
218	3-7/16 3-1/2 85mm	36.1 17.5	2.80	8.44	3.62	6.75	3/4	1.00	0.81	5.19	4.63	3.59
			71.1	214.4	91.9	171.5	M18	25.4	20.6	131.8	117.6	91.2

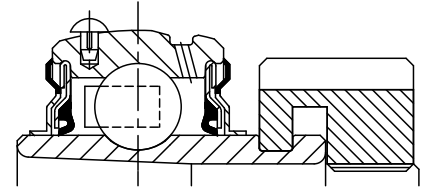
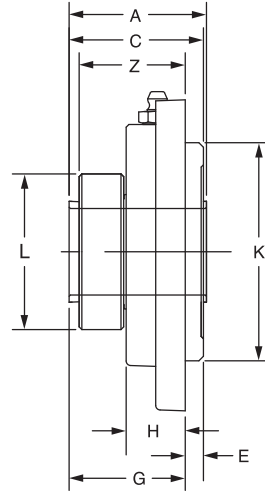
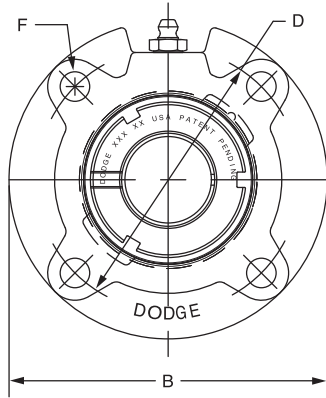
#C dimension will vary slightly depending on true shaft diameter.

FEATURES/BENEFITS PAGE B5-2	HOW TO ORDER/NOMENCLATURE PAGE B5-4	SELECTION PAGE B5-5	RELATED PRODUCTS PAGE B5-70
--------------------------------	--	------------------------	--------------------------------

SELECTION/DIMENSIONS



GRIP TIGHT Adapter Ball Bearings GT NORMAL DUTY PILOTED FLANGE BEARINGS



Series	Shaft Size	Complete Unit		Unit without Adapter Sleeve & Lock Nut		Adapter Sleeve & Lock Nut Assembly	
		Part No.	Description	Part No.	Description	Part No.	Description
206	1-1/8	129735	FC-GT-102	129501	FC-GT-06	136525	AN-GT-06-102-D
	1-3/16	129736	FC-GT-103			136526	AN-GT-06-103-D
	1-1/4	129737	FC-GT-104S			136527	AN-GT-06-104S-D
	30mm	129750	FC-GT-30M			136555	AN-GT-06-30M-D
207	1-1/4	129738	FC-GT-104	129502	FC-GT-07	136528	AN-GT-07-104-D
	1-3/8	129739	FC-GT-106			136591	AN-GT-07-106-D
	1-7/16	129740	FC-GT-107			136529	AN-GT-07-107-D
	35mm	129751	FC-GT-35M			136556	AN-GT-07-35M-D
208	1-1/2	129741	FC-GT-108	129503	FC-GT-08	136530	AN-GT-08-108-D
	1-5/8	129375	FC-GT-110			136592	AN-GT-08-110-D
	40mm	129752	FC-GT-40M			136593	AN-GT-08-40M-D
209	1-5/8	129742	FC-GT-110L	129504	FC-GT-09	136531	AN-GT-09-110L-D
	1-11/16	129743	FC-GT-111			136532	AN-GT-09-111-D
	1-3/4	129744	FC-GT-112			136533	AN-GT-09-112-D
	45mm	129753	FC-GT-45M			136557	AN-GT-09-45M-D
210	1-15/16	129745	FC-GT-115	129505	FC-GT-10	136534	AN-GT-10-115-D
	2	129746	FC-GT-200			136535	AN-GT-10-200-D
	50mm	129754	FC-GT-50M			136558	AN-GT-10-50M-D
211	2	129765	FC-GTM-200	129506	FC-GT-11	136600	AN-GTM-11-200-D
	2-3/16	129747	FC-GT-203			136536	AN-GT-11-203-D
	2-1/4	129380	FC-GT-204			136537	AN-GT-11-204-D
	55mm	129755	FC-GT-55M			136559	AN-GT-11-55M-D
212	2-1/4	129767	FC-GTM-204	129507	FC-GT-12	136601	AN-GTM-12-204-D
	2-7/16	129748	FC-GT-207			136538	AN-GT-12-207-D
	60mm	129756	FC-GT-60M			136594	AN-GT-12-60M-D
214	2-1/2	129769	FC-GTM-208	129508	FC-GT-14	136548	AN-GTM-14-208-D
	2-11/16	129749	FC-GT-211			136539	AN-GT-14-211-D
	70mm	129757	FC-GT-70M			136560	AN-GT-14-70M-D

FEATURES/BENEFITS PAGE B5-2	HOW TO ORDER/NOMENCLATURE PAGE B5-4	SELECTION PAGE B5-5	RELATED PRODUCTS PAGE B5-70
--------------------------------	--	------------------------	--------------------------------

SELECTION/DIMENSIONS



GRIP TIGHT Adapter Ball Bearings GT NORMAL DUTY PILOTED FLANGE BEARINGS

Bearing Reference Guide

ULTRA KLEEN

E-Z KLEEN

Extreme Duty

Setscrew Ball Bearing

GRIP TIGHT

D-LOK Ball Bearing

Series	Shaft Size	Weight lbs kg	A	B	C#	D	E	F Bolt Dia.	G#	H	K	L	Z
206	1-1/8	3.0	1.61	4.38	1.68	3.63	0.25	3/8	1.43	0.81	3.000/2.998	2.08	1.46
	1-3/16	3.0											
	1-1/4	3.0											
	30mm	1.4	40.9	111.3	42.7	92.2	6.4	M10	36.3	20.6	76.20/76.15	52.8	37.1
207	1-1/4	4.1	1.62	5.00	1.81	4.13	0.38	3/8	1.44	0.84	3.375/3.373	2.38	1.49
	1-3/8	4.0											
	1-7/16	4.0											
	35mm	1.6	41.1	127.0	46.0	104.9	9.7	M10	36.6	21.3	85.73/85.67	60.5	37.8
208	1-1/2	4.9	1.84	5.25	2.01	4.38	0.44	7/16	1.58	0.89	3.625/3.623	2.62	1.58
	1-5/8	4.7											
	40mm	2.1	46.7	133.4	51.1	111.3	11.2	M12	40.1	22.6	92.08/92.02	66.5	40.1
209	1-5/8	6.2	1.85	5.75	1.97	4.75	0.44	1/2	1.53	0.91	4.000/3.998	2.86	1.57
	1-11/16	6.1											
	45mm	2.50	47.0	146.1	50.0	120.7	11.2	M12	38.9	23.1	101.60/101.55	72.6	39.9
210	1-15/16	6.2	1.86	6.13	2.02	5.13	0.47	1/2	1.55	0.92	4.250/4.248	3.13	1.58
	2	6.2											
	50mm	2.6	47.2	155.7	51.3	130.3	11.9	M12	39.4	23.4	107.95/107.90	79.5	40.1
211	2	8.0	1.93	6.38	2.26	5.38	0.63	1/2	1.63	1.00	4.500/4.498	3.43	1.69
	2-3/16	8.0											
	2-1/4	6.9											
	55mm	3.4	49.0	162.1	57.4	136.7	16.0	M12	41.4	25.4	114.30/114.25	87.1	42.9
212	2-1/4	11.6	2.12	7.13	2.52	6.00	0.88	1/2	1.65	1.00	5.000/4.998	3.69	1.71
	2-7/16	11.6											
	60mm	4.9	53.8	181.1	64.0	152.4	22.4	M12	41.9	25.4	127.00/126.95	93.7	43.4
214	2-1/2	13.8	2.39	7.63	2.86	6.50	1.13	1/2	1.74	1.06	5.500/5.498	4.00	1.77
	2-11/16	13.6											
	70mm	5.8	60.7	193.8	72.6	165.1	28.7	M12	44.2	26.9	139.70/139.65	101.6	45.0

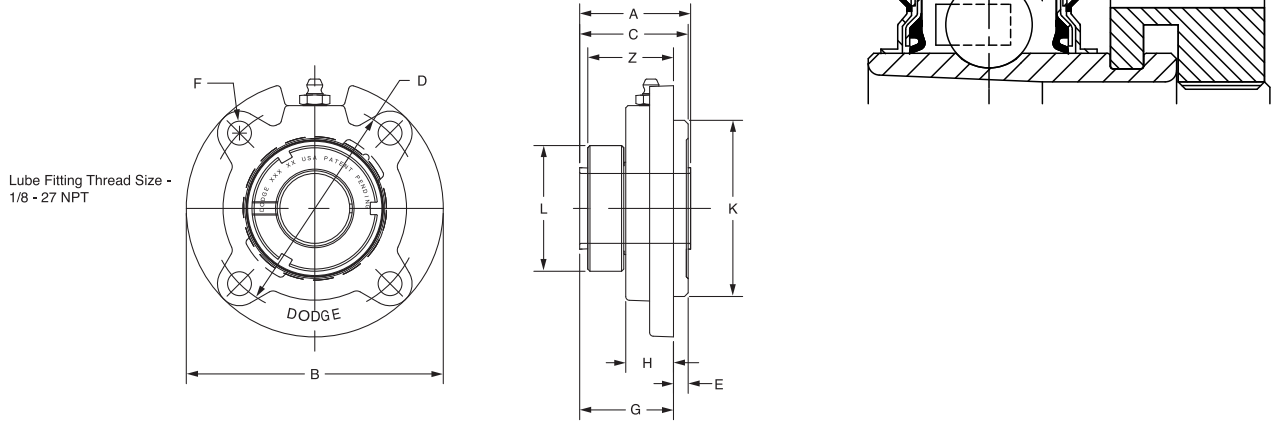
#C & G dimensions will vary slightly depending on true shaft diameter.

FEATURES/BENEFITS PAGE B5-2	HOW TO ORDER/NOMENCLATURE PAGE B5-4	SELECTION PAGE B5-5	RELATED PRODUCTS PAGE B5-70
--------------------------------	--	------------------------	--------------------------------

SELECTION/DIMENSIONS



GRIP TIGHT Adapter Ball Bearings GTM MEDIUM DUTY PILOTED FLANGE BEARINGS



Lube Fitting Thread Size -
1/8 - 27 NPT

Series	Shaft Size	Complete Unit		Unit without Adapter Sleeve & Lock Nut		Adapter Sleeve & Lock Nut Assembly	
		Part No.	Description	Part No.	Description	Part No.	Description
206	1	129758	FC-GTM-100	129501	FC-GT-06	136541	AN-GTM-06-100-D
	25mm	136286	FC-GTM-25M			136561	AN-GTM-06-25M-D
207	1-3/16	129759	FC-GTM-103	129502	FC-GT-07	136542	AN-GTM-07-103-D
	1-1/4	129738	FC-GT-104			136528	AN-GT-07-104-D
	30mm	136287	FC-GTM-30M			136562	AN-GTM-07-30M-D
208	1-7/16	129760	FC-GTM-107	129503	FC-GT-08	136543	AN-GTM-08-107-D
	1-1/2	129741	FC-GT-108			136530	AN-GT-08-108-D
	35mm	136288	FC-GTM-35M			136563	AN-GTM-08-35M-D
209	1-1/2	129761	FC-GTM-108L	129504	FC-GT-09	136598	AN-GTM-09-108-D
	1-5/8	129742	FC-GT-110L			136531	AN-GT-09-110-D
	40mm	136289	FC-GTM-40M			136564	AN-GTM-09-40M-D
210	1-11/16	129762	FC-GTM-111	129505	FC-GT-10	136544	AN-GTM-10-111-D
	1-3/4	129763	FC-GTM-112			136599	AN-GTM-10-112-D
	45mm	136290	FC-GTM-45M			136565	AN-GTM-10-45M-D
211	1-15/16	129764	FC-GTM-115	129506	FC-GT-11	136545	AN-GTM-11-115-D
	2	129765	FC-GTM-200			136600	AN-GTM-11-200-D
	50mm	136291	FC-GTM-50M			136566	AN-GTM-11-50M-D
212	2-3/16	129766	FC-GTM-203	129507	FC-GT-12	136546	AN-GTM-12-203-D
	2-1/4	129767	FC-GTM-204			136601	AN-GTM-12-204-D
	55mm	136292	FC-GTM-55M			136567	AN-GTM-12-55M-D
214	2-7/16	129768	FC-GTM-207	129508	FC-GT-14	136547	AN-GTM-14-207-D
	2-1/2	129769	FC-GTM-208			136548	AN-GTM-14-208-D
	65mm	136293	FC-GTM-65M			136568	AN-GTM-14-65M-D
216	2-15/16	129770	FC-GTM-215	129509	FC-GT-16	136550	AN-GTM-16-215-D
	3	129771	FC-GTM-300			136551	AN-GTM-16-300-D
	75mm	136294	FC-GTM-75M			136570	AN-GTM-16-75M-D
218	3-7/16	129772	FC-GTM-307	129510	FC-GT-18	136552	AN-GTM-18-307-D
	3-1/2	129773	FC-GTM-308			136603	AN-GTM-18-308-D
	85mm	136295	FC-GTM-85M			136571	AN-GTM-18-85M-D

@Assembled to order

FEATURES/BENEFITS PAGE B5-2	HOW TO ORDER/NOMENCLATURE PAGE B5-4	SELECTION PAGE B5-5	RELATED PRODUCTS PAGE B5-70
--------------------------------	--	------------------------	--------------------------------

SELECTION/DIMENSIONS



GRIP TIGHT Adapter Ball Bearings GTM MEDIUM DUTY PILOTED FLANGE BEARINGS

Bearing Reference Guide

ULTRA KLEEN

E-Z KLEEN

Extreme Duty

Setscrew Ball Bearing

GRIP TIGHT

D-LOK Ball Bearing

Series	Shaft Size	Weight lbs kg	A	B	C#	D	E	F Bolt Dia.	G#	H	K	L	Z
206	1	3.1	1.61	4.38	1.68	3.63	0.25	3/8	1.43	0.81	3.000/2.998	2.08	1.46
	25mm	1.5	40.9	111.3	42.7	92.2	6.4	M10	36.3	20.6	76.20/76.15	52.8	37.1
207	1-3/16	4.1	1.62	5.00	1.81	4.13	0.38	3/8	1.44	0.84	3.375/3.373	2.38	1.49
	1-1/4	4.1											
	30mm	2.0	41.1	127.0	46.0	104.9	9.7	M10	36.6	21.3	85.73/85.67	60.5	37.8
208	1-7/16	5.1	1.84	5.25	2.01	4.38	0.44	7/16	1.58	0.89	3.625/3.623	2.62	1.58
	1-1/2	4.9											
	35mm	2.5	46.7	133.4	51.1	111.3	11.2	M12	40.1	22.6	92.08/92.02	66.5	40.1
209	1-1/2	6.1	1.85	5.75	1.97	4.75	0.44	1/2	1.53	0.91	4.000/3.998	2.86	1.57
	1-5/8	6.1											
	40mm	3.0	47.0	146.1	50.0	120.7	11.2	M12	38.9	23.1	101.60/101.55	72.6	39.9
210	1-11/16	6.2	1.86	6.13	2.02	5.13	0.47	1/2	1.55	0.92	4.250/4.248	3.13	1.58
	1-3/4	6.2											
	45mm	3.0	47.2	155.7	51.3	130.3	11.9	M12	39.4	23.4	107.95/107.90	79.5	40.1
211	1-15/16	8.0	1.93	6.38	2.26	5.38	0.63	1/2	1.63	1.00	4.500/4.498	3.43	1.69
	2	8.0											
	50mm	3.9	49.0	162.1	57.4	136.7	16.0	M12	41.4	25.4	114.30/114.25	87.1	42.9
212	2-3/16	11.6	2.12	7.13	2.52	6.00	0.88	1/2	1.65	1.00	5.000/4.998	3.69	1.71
	2-1/4	11.60											
	55mm	5.6	53.8	181.1	64.0	152.4	22.4	M12	41.9	25.4	127.00/126.95	93.7	43.4
214	2-7/16	13.9	2.39	7.63	2.86	6.50	1.13	1/2	1.74	1.06	5.500/5.498	4.00	1.77
	2-1/2	13.8											
	65mm	6.7	60.7	193.8	72.6	165.1	28.7	M12	44.2	26.9	139.70/139.65	101.6	45.0
216	2-15/16	15.9	2.70	8.75	3.33	7.50	1.25	5/8	2.08	1.19	6.375/6.373	4.69	2.05
	3	15.8											
	75mm	12.9	68.6	222.3	84.6	190.5	31.8	M16	52.8	30.2	161.93/161.87	119.1	52.1
218	3-7/16	36.8	2.80	10.25	3.57	8.63	1.13	3/4	2.44	1.63	7.375/7.373	5.19	2.42
	3-1/2												
	85mm	17.8	71.1	260.4	90.7	219.1	28.7	M18	62.0	41.4	187.33/187.27	131.8	61.5

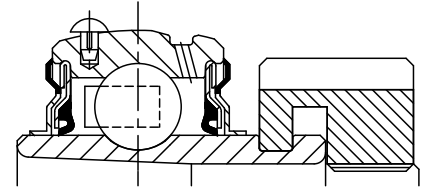
#C & G dimensions will vary slightly depending on true shaft diameter.

FEATURES/BENEFITS PAGE B5-2	HOW TO ORDER/NOMENCLATURE PAGE B5-4	SELECTION PAGE B5-5	RELATED PRODUCTS PAGE B5-70
--------------------------------	--	------------------------	--------------------------------

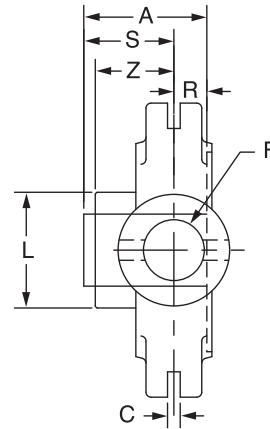
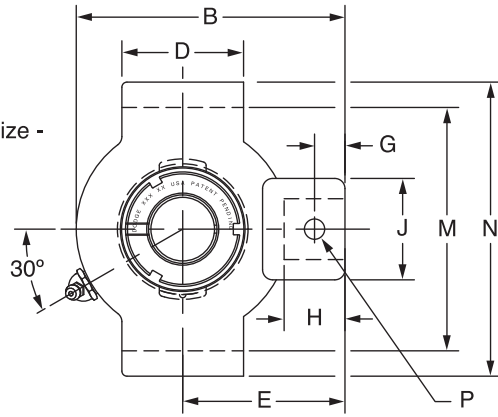
SELECTION/DIMENSIONS



GRIP TIGHT Adapter Ball Bearings GT NORMAL DUTY NARROW SLOT TAKE-UP BEARINGS



Lube Fitting Thread Size -
1/8 - 27 NPT



Series	Shaft Size	Complete Unit		Unit without Adapter Sleeve & Lock Nut		Adapter Sleeve & Lock Nut Assembly	
		Part No.	Description	Part No.	Description	Part No.	Description
204	3/4	136110	NSTU-GT-012	136210	NSTU-GT-04	136522	AN-GT-04-012-D
	20mm	136238	NSTU-GT-20M			136553	AN-GT-04-20M-D
205	7/8	136111	NSTU-GT-014	136211	NSTU-GT-05	136590	AN-GT-05-014-D
	15/16	136112	NSTU-GT-015			136523	AN-GT-05-015-D
	1	136113	NSTU-GT-100			136524	AN-GT-05-100-D
	25mm	136239	NSTU-GT-25M			136554	AN-GT-05-25M-D
206	1-1/8	136114	NSTU-GT-102	136212	NSTU-GT-06	136525	AN-GT-06-102-D
	1-3/16	136115	NSTU-GT-103			136526	AN-GT-06-103-D
	1-1/4	136116	NSTU-GT-104S			136527	AN-GT-06-104S-D
	30mm	136240	NSTU-GT-30M			136555	AN-GT-06-30M-D
207	1-1/4	136117	NSTU-GT-104	136213	NSTU-GT-07	136528	AN-GT-07-104-D
	1-3/8	136118	NSTU-GT-106			136591	AN-GT-07-106-D
	1-7/16	136119	NSTU-GT-107			136529	AN-GT-07-107-D
	35mm	136241	NSTU-GT-35M			136556	AN-GT-07-35M-D
208	1-1/2	136120	NSTU-GT-108	136214	NSTU-GT-08	136530	AN-GT-08-108-D
	1-5/8	126121	NSTU-GT-110			136592	AN-GT-08-110-D
	40mm	136242	NSTU-GT-40M			136593	AN-GT-08-40M-D
209	1-5/8	136122	NSTU-GT-110L	136215	NSTU-GT-09	136531	AN-GT-09-110L-D
	1-11/16	136123	NSTU-GT-111			136532	AN-GT-09-111-D
	1-3/4	136124	NSTU-GT-112			136533	AN-GT-09-112-D
	45mm	136243	NSTU-GT-45M			136557	AN-GT-09-45M-D
210	1-15/16	136125	NSTU-GT-115	136216	NSTU-GT-10	136534	AN-GT-10-115-D
	2	136126	NSTU-GT-200			136535	AN-GT-10-200-D
	50mm	136244	NSTU-GT-50M			136558	AN-GT-10-50M-D
211	2	136167	NSTU-GTM-200	136217	NSTU-GT-11	136600	AN-GTM-11-200-D
	2-3/16	136127	NSTU-GT-203			136536	AN-GT-11-203-D
	2-1/4	136128	NSTU-GT-204			136537	AN-GT-11-204-D
	55mm	136245	NSTU-GT-55M			136559	AN-GT-11-55M-D
212	2-1/4	136169	NSTU-GTM-204	136218	NSTU-GT-12	136601	AN-GTM-12-204-D
	2-7/16	136129	NSTU-GT-207			136538	AN-GT-12-207-D
	60mm	136246	NSTU-GT-60M			136594	AN-GT-12-60M-D

@ Assembled to order

FEATURES/BENEFITS PAGE B5-2	HOW TO ORDER/NOMENCLATURE PAGE B5-4	SELECTION PAGE B5-5	RELATED PRODUCTS PAGE B5-70
--------------------------------	--	------------------------	--------------------------------

SELECTION/DIMENSIONS



GRIP TIGHT Adapter Ball Bearings GT NORMAL DUTY NARROW SLOT TAKE-UP BEARINGS

Bearing Reference Guide

ULTRA KLEEN

E-Z KLEEN

Extreme Duty

Setscrew Ball Bearing

GRIP TIGHT

D-LOK Ball Bearing

Series	Shaft Size	Weight lbs kg	Take-Up Frame Size	A	B	C	D	E	F Screw Dia.	G	H	J	L	M	N	P Pin Dia.	R#	S#	Z
204	3/4 20mm	1.6 0.8	NS210	1.48 37.6	3.50 88.9	0.250 6.35	1.50 38.1	2.19 55.6	3/4 19.1	0.44 11.2	0.88 22.4	1.38 35.1	1.50 38.1	2.635/2.605 66.93/66.17	3.13 79.5	0.32 8.1	0.46 11.7	1.02 25.9	1.03 26.2
	7/8 15/16 1 25mm	1.7 1.6 1.5 0.7		1.46 37.1	3.56 90.4	0.250 6.35	1.50 38.1	2.19 55.6	3/4 19.1	0.44 11.2	0.88 22.4	1.38 35.1	1.80 45.7	2.635/2.605 66.93/66.17	3.13 79.5	0.32 8.1	0.48 12.2	0.98 24.9	1.00 25.4
205	1-1/8 1-3/16 1-1/4 30mm	2.8 2.7 2.6 1.2	NS308	1.61 40.9	4.31 109.5	0.250 6.35	2.50 63.5	2.69 68.3	3/4 19.1	0.50 12.7	0.94 23.9	1.38 35.1	2.08 52.8	3.510/3.480 89.15/88.39	4.13 104.9	0.32 8.1	0.52 13.2	1.09 27.7	1.13 28.7
	1-1/4 1-3/8 1-7/16 35mm	2.8 2.6 2.5 1.2		1.62 41.1	4.50 114.3	0.250 6.35	2.50 63.5	2.69 68.3	3/4 19.1	0.50 12.7	0.94 23.9	1.38 35.1	2.38 60.5	3.510/3.480 89.15/88.39	4.13 104.9	0.32 8.1	0.54 13.7	1.08 27.4	1.14 29.0
	1-1/2 1-5/8 40mm	4.70 4.50 2.1		1.84 46.7	5.38 136.7	0.313 7.95	3.00 76.2	3.25 82.6	7/8 22.2	0.66 16.8	1.16 29.5	1.63 41.4	2.62 66.5	4.015/3.985 101.98/101.22	4.75 120.7	0.38 9.7	0.61 15.5	1.23 31.2	1.23 31.2
208	1-5/8 1-11/16 1-3/4 45mm	4.9 4.8 4.7 2.1	NS400	1.85 47.0	5.44 138.2	0.313 7.95	3.00 76.2	3.25 82.6	7/8 22.2	0.72 18.3	1.22 31.0	1.63 41.4	2.86 72.6	4.015/3.985 101.98/101.22	4.75 120.7	0.38 9.7	0.62 15.7	1.23 31.2	1.26 32.0
	1-15/16 2 50mm	4.9 4.8 2.2		1.86 47.2	5.50 139.7	0.313 7.95	3.00 76.2	3.25 82.6	7/8 22.2	0.59 15.0	1.09 27.7	1.63 41.4	3.13 79.5	4.015/3.985 101.98/101.22	4.75 120.7	0.38 9.7	0.63 16.0	1.23 31.2	1.26 32.0
209	2 2-3/16 2-1/4 55mm	6.8 6.6 6.5 3.0	NS407	1.93 49.0	6.13 155.7	0.313 7.95	3.50 88.9	3.63 92.2	1 25.4	0.69 17.5	1.28 32.5	1.75 44.5	3.43 87.1	4.448/4.418 112.98/112.22	5.38 136.7	0.44 11.2	0.67 17.0	1.26 32.0	1.32 33.5
	2-1/4 2-7/16 60mm	8.7 8.4 4.9		2.12 53.8	6.69 169.9	0.313 7.95	3.75 95.3	3.88 98.6	1 25.4	0.69 17.5	1.28 32.5	1.63 41.4	3.69 93.7	4.947/4.917 125.65/124.89	5.75 146.1	0.44 11.2	0.73 18.5	1.39 35.3	1.46 37.1

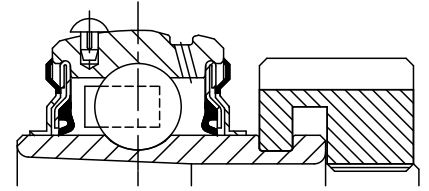
#R & S dimensions will vary slightly depending on true shaft diameter.

FEATURES/BENEFITS PAGE B5-2	HOW TO ORDER/NOMENCLATURE PAGE B5-4	SELECTION PAGE B5-5	RELATED PRODUCTS PAGE B5-70
--------------------------------	--	------------------------	--------------------------------

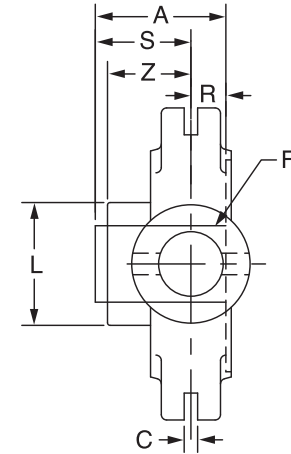
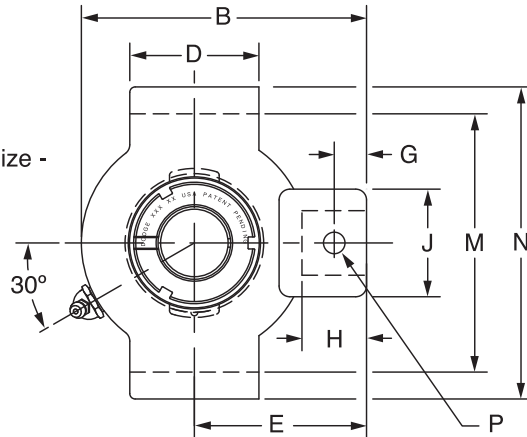
SELECTION/DIMENSIONS



GRIP TIGHT Adapter Ball Bearings GTM MEDIUM DUTY NARROW SLOT TAKE-UP BEARINGS



Lube Fitting Thread Size -
1/8 - 27 NPT



Series	Shaft Size	Complete Unit		Unit without Adapter Sleeve & Lock Nut		Adapter Sleeve & Lock Nut Assembly	
		Part No.	Description	Part No.	Description	Part No.	Description
205	3/4	136159	NSTU-GTM-012	136211	NSTU-GT-05	136597	AN-GTM-05-012-D
206	1 25mm	136160	NSTU-GTM-100	136212	NSTU-GTU-06	136541	AN-GTM-06-100-D
		136296	NSTU-GTM-25M			136561	AN-GTM-06-25M-D
207	1 -3/16 1-1/4 30mm	136161	NSTU-GTM-103	136213	NSTU-GT-07	136542	AN-GTM-07-103-D
		136117	NSTU-GT-104			136528	AN-GT-07-104-D
		136297	NSTU-GTM-30M			136562	AN-GTM-07-30M-D
208	1-7/16 35mm	136162	NSTU-GTM-107	136214	NSTU-GT-08	136543	AN-GTM-08-107-D
		136298	NSTU-GTM-35M			136563	AN-GTM-08-35M-D
209	1-1/2 40mm	136163	NSTU-GTM-108	136215	NSTU-GT-09	136598	AN-GTM-09-108-D
		136299	NSTU-GTM-40M			136564	AN-GTM-09-40M-D
210	1-11/16 1-3/4 45mm	136164	NSTU-GTM-111	136216	NSTU-GT-10	136544	AN-GTM-10-111-D
		136165	NSTU-GTM-112			136599	AN-GTM-10-112-D
		136300	NSTU-GTM-45M			136565	AN-GTM-10-45M-D
211	1-15/16 2 50mm	136166	NSTU-GTM-115	136217	NSTU-GT-11	136545	AN-GTM-11-115-D
		136167	NSTU-GTM-200			136600	AN-GTM-11-200-D
		136301	NSTU-GTM-50M			136566	AN-GTM-11-50M-D
212	2-3/16 2-1/4 55mm	136168	NSTU-GTM-203	136218	NSTU-GT-12	136546	AN-GTM-12-203-D
		136169	NSTU-GTM-204			136601	AN-GTM-12-204-D
		136302	NSTU-GTM-55M			136567	AN-GTM-12-55M-D

@ Assembled to order

FEATURES/BENEFITS PAGE B5-2	HOW TO ORDER/NOMENCLATURE PAGE B5-4	SELECTION PAGE B5-5	RELATED PRODUCTS PAGE B5-70
--------------------------------	--	------------------------	--------------------------------

SELECTION/DIMENSIONS



GRIP TIGHT Adapter Ball Bearings GTM MEDIUM DUTY NARROW SLOT TAKE-UP BEARINGS

Bearing Reference Guide

ULTRA KLEEN

E-Z KLEEN

Extreme Duty

Setscrew Ball Bearing

GRIP TIGHT

D-LOK Ball Bearing

Series	Shaft Size	Weight lbs kg	Take-Up Frame Size	A	B	C	D	E	F Screw Dia.	G	H	J	L	M	N	P Pin Dia.	R#	S#	Z
205	3/4	1.7	NS210	1.46	3.56	0.250	1.50	2.19	3/4	0.44	0.88	1.38	1.80	2.635/2.605	3.13	0.32	0.48	0.98	1.00
				37.1	90.4	6.35	38.1	55.6	19.1	11.2	22.4	35.1	45.7	66.93/66.17	79.5	8.1	12.2	24.9	25.4
206	1 25mm	2.8 1.2	NS308	1.61	4.31	0.250	2.50	2.69	3/4	0.50	0.94	1.38	2.08	3.510/3.480	4.13	0.32	0.52	1.09	1.13
				40.9	109.5	6.35	63.5	68.3	19.1	12.7	23.9	35.1	52.8	89.15/88.39	104.9	8.1	13.2	27.7	28.7
207	1-3/16 1-1/4 30mm	2.8 1.2	NS308	1.62	4.50	0.250	2.50	2.69	3/4	0.50	0.94	1.38	2.38	3.510/3.480	4.13	0.32	0.54	1.08	1.14
				41.1	114.3	6.35	63.5	68.3	19.1	12.7	23.9	35.1	60.5	89.15/88.39	104.9	8.1	13.7	27.4	29.0
208	1-7/16 35mm	4.7 2.1	NS400	1.84	5.38	0.313	3.00	3.25	7/8	0.66	1.16	1.63	2.62	4.015/3.985	4.75	0.38	0.61	1.23	1.23
				46.7	136.7	7.95	76.2	82.6	22.2	16.8	29.5	41.4	66.5	101.98/101.22	120.7	9.7	15.5	31.2	31.2
209	1-1/2 40mm	4.9 2.1	NS400	1.85	5.44	0.313	3.00	3.25	7/8	0.72	1.22	1.63	2.86	4.015/3.985	4.75	0.38	0.62	1.23	1.26
				47.0	138.2	7.95	76.2	82.6	22.2	18.3	31.0	41.4	72.6	101.98/101.22	120.7	9.7	15.7	31.2	32.0
210	1-11/16 1-3/4 45mm	4.9 2.2	NS400	1.86	5.50	0.313	3.00	3.25	7/8	0.59	1.09	1.63	3.13	4.015/3.985	4.75	0.38	0.63	1.23	1.26
				47.2	139.7	7.95	76.2	82.6	22.2	15.0	27.7	41.4	79.5	101.98/101.22	120.7	9.7	16.0	31.2	32.0
211	1-15/16 2 50mm	6.80 3.0	NS407	1.93	6.13	0.313	3.50	3.63	1	0.69	1.28	1.75	3.43	4.448/4.418	5.38	0.44	0.67	1.26	1.32
				49.0	155.7	7.95	88.9	92.2	25.4	17.5	32.5	44.5	87.1	112.98/112.22	136.7	11.2	17.0	32.0	33.5
212	2-3/16 2-1/4 55mm	8.7 4.9	NS415	2.12	6.69	0.313	3.75	3.88	1	0.69	1.28	1.63	3.69	4.947/4.917	5.75	0.44	0.73	1.39	1.46
				53.8	169.9	7.95	95.3	98.6	25.4	17.5	32.5	41.4	93.7	125.65/124.89	146.1	11.2	18.5	35.3	37.1

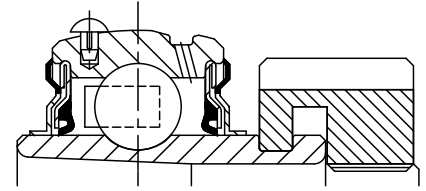
#R & S dimensions will vary slightly depending on true shaft diameter.

FEATURES/BENEFITS PAGE B5-2	HOW TO ORDER/NOMENCLATURE PAGE B5-4	SELECTION PAGE B5-5	RELATED PRODUCTS PAGE B5-70
--------------------------------	--	------------------------	--------------------------------

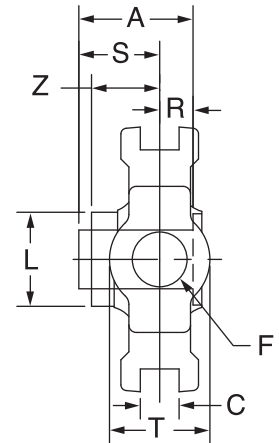
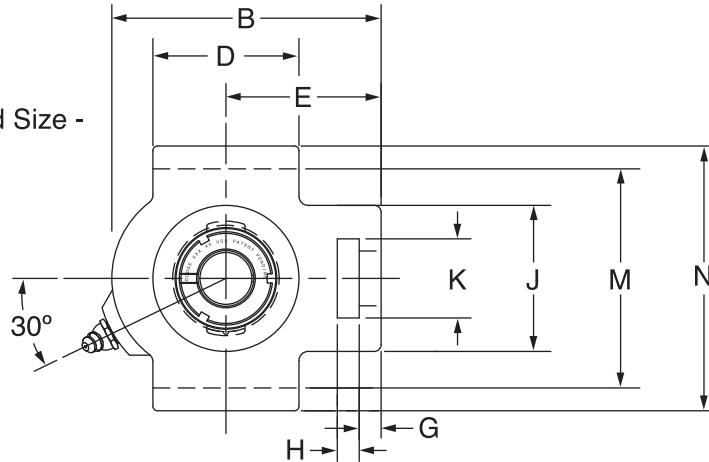
SELECTION/DIMENSIONS



GRIP TIGHT Adapter Ball Bearings GT NORMAL DUTY WIDE SLOT TAKE-UP BEARINGS



Lube Fitting Thread Size -
1/8 - 27 NPT



Series	Shaft Size	Complete Unit		Unit without Adapter Sleeve & Lock Nut		Adapter Sleeve & Lock Nut Assembly	
		Part No.	Description	Part No.	Description	Part No.	Description
204	3/4	136130	WSTU-GT-012	136219	WSTU-GT-04	136522	AN-GT-04-012-D
	20mm	136247	WSTU-GT-20M			136553	AN-GT-04-20M-D
205	7/8	136131	WSTU-GT-014	136220	WSTU-GT-05	136590	AN-GT-05-014-D
	15/16	136132	WSTU-GT-015			136523	AN-GT-05-015-D
	1	136133	WSTU-GT-100			136524	AN-GT-05-100-D
	25mm	136248	WSTU-GT-25M			136554	AN-GT-05-25M-D
206	1-1/8	136134	WSTU-GT-102	136221	WSTU-GT-06	136525	AN-GT-06-102-D
	1-3/16	136135	WSTU-GT-103			136526	AN-GT-06-103-D
	1-1/4	136136	WSTU-GT-104S			136527	AN-GT-06-104S-D
	30mm	136249	WSTU-GT-30M			136555	AN-GT-06-30M-D
207	1-1/4	136137	WSTU-GT-104	136222	WSTU-GT-07	136528	AN-GT-07-104-D
	1-3/8	136138	WSTU-GT-106			136591	AN-GT-07-106-D
	1-7/16	136139	WSTU-GT-107			136529	AN-GT-07-107-D
	35mm	136250	WSTU-GT-35M			136556	AN-GT-07-35M-D
208	1-1/2	136140	WSTU-GT-108	136223	WSTU-GT-08	136530	AN-GT-08-108-D
	1-5/8	136141	WSTU-GT-110			136592	AN-GT-08-110-D
	40mm	136251	WSTU-GT-40M			136593	AN-GT-08-40M-D

@ Assembled to order

FEATURES/BENEFITS PAGE B5-2	HOW TO ORDER/NOMENCLATURE PAGE B5-4	SELECTION PAGE B5-5	RELATED PRODUCTS PAGE B5-70
--------------------------------	--	------------------------	--------------------------------

SELECTION/DIMENSIONS



GRIP TIGHT Adapter Ball Bearings GT NORMAL DUTY WIDE SLOT TAKE-UP BEARINGS

Bearing Reference Guide
 ULTRA KLEEN
 E-Z KLEEN
 Extreme Duty
 Setscrew Ball Bearing
 GRIP TIGHT
 D-LOK Ball Bearing

Series	Shaft Size	Weight lbs kg	Take-Up Frame Size	A	B	C	D	E	F Screw Dia.	G	H	J	K	L	M	N	R#	S#	T	Z
204	3/4	1.9	WS300	1.48	3.69	0.531	2.00	2.38	5/8	0.38	0.63	2.00	1.25	1.50	2.985/3.015	3.63	0.46	1.02	1.38	1.03
	20mm	0.9		37.6	93.7	13.49	50.8	60.5	15.9	9.7	16.0	50.8	31.8	38.1	75.82/76.58	92.2	11.7	25.9	35.1	26.2
205	7/8	2.2	WS300	1.46	3.81	0.531	2.00	2.44	5/8	0.38	0.63	2.00	1.31	1.80	2.985/3.015	3.63	0.48	0.98	1.38	1.00
	15/16	2.1		37.1	96.8	13.49	50.8	62.0	15.9	9.7	16.0	50.8	33.3	45.7	75.82/76.58	92.2	12.2	24.9	35.1	25.4
	1	2.0		37.1	96.8	13.49	50.8	62.0	15.9	9.7	16.0	50.8	33.3	45.7	75.82/76.58	92.2	12.2	24.9	35.1	25.4
206	25mm	1.0	WS308	1.61	4.38	0.531	2.25	2.75	3/4	0.38	0.63	2.19	1.44	2.08	3.480/3.510	4.13	0.52	1.09	1.63	1.13
	1-1/8	2.7		40.9	111.3	13.49	57.2	69.9	19.1	9.7	16.0	55.6	36.6	52.8	88.39/89.15	104.9	13.2	27.7	41.3	28.7
	1-3/16	2.6		40.9	111.3	13.49	57.2	69.9	19.1	9.7	16.0	55.6	36.6	52.8	88.39/89.15	104.9	13.2	27.7	41.3	28.7
207	1-1/4	2.5	WS308	1.62	4.87	0.531	2.50	3.06	3/4	0.50	0.63	2.50	1.44	2.38	3.480/3.510	4.13	0.54	1.08	1.63	1.14
	1-1/4	3.7		41.1	123.7	13.49	63.5	77.7	19.1	12.7	16.0	63.5	36.6	60.5	88.39/89.15	104.9	13.7	27.4	41.3	29.0
	1-3/8	3.6		41.1	123.7	13.49	63.5	77.7	19.1	12.7	16.0	63.5	36.6	60.5	88.39/89.15	104.9	13.7	27.4	41.3	29.0
208	1-7/16	3.5	WS308	1.84	5.69	0.688	3.25	3.50	1	0.63	0.75	3.25	1.94	2.62	3.985/4.015	4.50	0.61	1.23	1.94	1.23
	35mm	1.6		46.7	144.5	17.48	82.6	88.9	25.4	16.0	19.1	82.6	49.3	66.5	101.22/101.98	114.3	15.5	31.2	49.3	31.2
	1-1/2	6.1		46.7	144.5	17.48	82.6	88.9	25.4	16.0	19.1	82.6	49.3	66.5	101.22/101.98	114.3	15.5	31.2	49.3	31.2
208	1-5/8	5.9	WS400	1.84	5.69	0.688	3.25	3.50	1	0.63	0.75	3.25	1.94	2.62	3.985/4.015	4.50	0.61	1.23	1.94	1.23
	40mm	2.8		46.7	144.5	17.48	82.6	88.9	25.4	16.0	19.1	82.6	49.3	66.5	101.22/101.98	114.3	15.5	31.2	49.3	31.2

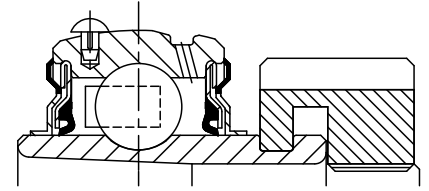
#R & S dimensions will vary slightly depending on true shaft diameter.

FEATURES/BENEFITS PAGE B5-2	HOW TO ORDER/NOMENCLATURE PAGE B5-4	SELECTION PAGE B5-5	RELATED PRODUCTS PAGE B5-70
--------------------------------	--	------------------------	--------------------------------

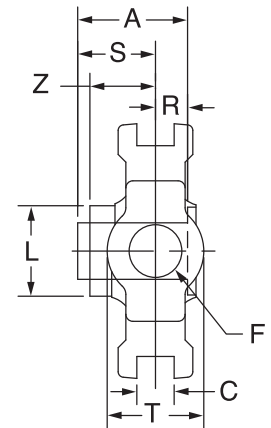
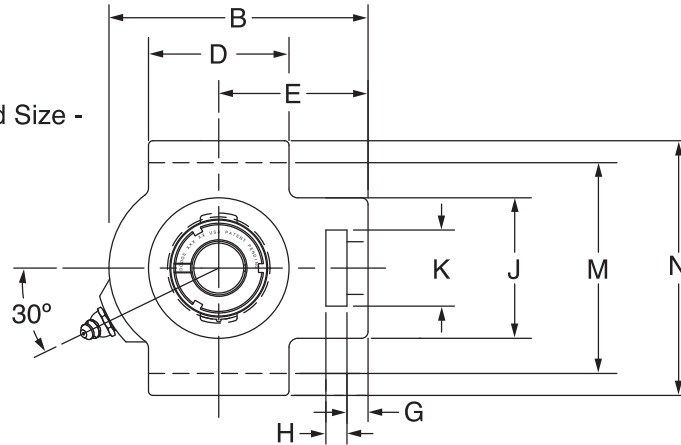
SELECTION/DIMENSIONS



GRIP TIGHT Adapter Ball Bearings GT NORMAL DUTY WIDE SLOT TAKE-UP BEARINGS



Lube Fitting Thread Size -
1/8 - 27 NPT



Series	Shaft Size	Complete Unit		Unit without Adapter Sleeve & Lock Nut		Adapter Sleeve & Lock Nut Assembly	
		Part No.	Description	Part No.	Description	Part No.	Description
209	1-5/8	136142	WSTU-GT-110L	136224	WSTU-GT-09	136531	AN-GT-09-110-D
	1-11/16	136143	WSTU-GT-111			136532	AN-GT-09-111-D
	1-3/4	136144	WSTU-GT-112			136533	AN-GT-09-112-D
	45mm	136252	WSTU-GT-45M			136557	AN-GT-09-45M-D
210	1-15/16	136145	WSTU-GT-115	136225	WSTU-GT-10	136534	AN-GT-10-115-D
	2	136146	WSTU-GT-200			136535	AN-GT-10-200-D
	50mm	136253	WSTU-GT-50M			136558	AN-GT-10-50M-D
211	2	136178	WSTU-GTM-200	136226	WSTU-GT-11	136600	AN-GTM-11-200-D
	2-3/16	136147	WSTU-GT-203			136536	AN-GT-11-203-D
	2-1/4	136148	WSTU-GT-204			136537	AN-GT-11-204-D
	55mm	136254	WSTU-GT-55M			136559	AN-GT-11-55M-D
212	2-1/4	136180	WSTU-GTM-204	136227	WSTU-GT-12	136601	AN-GTM-12-204-D
	2-7/16	136149	WSTU-GT-207			136538	AN-GT-12-207-D
	60mm	136255	WSTU-GT-60M			136594	AN-GT-12-60M-D
214	2-1/2	136182	WSTU-GTM-208	136228	WSTU-GT-14	136548	AN-GTM-14-208-D
	2-11/16	136150	WSTU-GT-211			136539	AN-GT-14-211-D
	70mm	163256	WSTU-GT-70M			136560	AN-GT-14-70M-D
215	2-15/16	136151	WSTU-GT-215	136229	WSTU-GT-15	136540	AN-GT-15-215-D
	3	@	WSTU-GT-300			136595	AN-GT-15-300-D
	75mm	136257	WSTU-GT-75M			136596	AN-GT-15-75M-D

@ Assembled to order

FEATURES/BENEFITS PAGE B5-2	HOW TO ORDER/NOMENCLATURE PAGE B5-4	SELECTION PAGE B5-5	RELATED PRODUCTS PAGE B5-70
--------------------------------	--	------------------------	--------------------------------

SELECTION/DIMENSIONS



GRIP TIGHT Adapter Ball Bearings GT NORMAL DUTY WIDE SLOT TAKE-UP BEARINGS

Bearing Reference Guide

ULTRA KLEEN

E-Z KLEEN

Extreme Duty

Setscrew Ball Bearing

GRIP TIGHT

D-LOK Ball Bearing

Series	Shaft Size	Wgt. lbs kg	Take-Up Frame Size	A	B	C	D	E	F Screw Dia.	G	H	J	K	L	M	N	R#	S#	T	Z	
209	1-5/8	6.1	WS400	1.85	5.63	0.688	3.25	3.44	1	0.63	0.75	3.25	1.94	2.86	3.985/4.015	4.75	0.62	1.23	1.94	1.26	
	1-11/16	6.0		47.0	143.0	17.48	82.6	87.4	25.4	16.0	19.1	82.6	49.3	72.6	101.22/101.98	120.7	15.7	31.2	49.3	32.0	
	1-3/4	5.9																			
	45mm	2.7																			
210	1-15/16	6.4	WS400	1.86	5.82	0.688	3.38	3.56	1	0.63	0.75	3.25	1.94	3.13	3.985/4.015	4.75	0.63	1.23	1.94	1.26	
	2	6.30		47.2	147.8	17.48	85.9	90.4	25.4	16.0	19.1	82.6	49.3	79.5	101.22/101.98	120.7	16.0	31.2	49.3	32.0	
	50mm	2.90																			
211	2	10.1	WS502	1.93	6.69	1.063	3.75	4.19	1-1/4	0.75	1.00	4.00	2.50	3.43	5.110/5.140	5.88	0.67	1.26	2.50	1.32	
	2-3/16	10.0		49.0	169.9	27.00	95.3	106.4	31.8	19.1	25.4	101.6	63.5	87.1	129.79/130.56	149.4	17.0	32.0	63.5	33.5	
	2-1/4	9.9																			
	55mm	4.5																			
212	2-1/4	11.2	WS502	2.12	7.50	1.063	4.00	4.69	1-1/4	0.75	1.25	4.00	2.50	3.69	5.110/5.140	5.88	0.73	1.39	2.50	1.46	
	2-7/16	10.8		53.8	190.5	27.00	101.6	119.1	31.8	19.1	31.8	101.6	63.5	93.7	129.79/130.56	149.4	18.5	35.3	63.5	37.1	
	60mm	4.9																			
214	2-1/2	18.0	WS515	2.39	8.56	1.063	4.75	5.38	1-1/2	0.81	1.25	4.38	2.75	4.00	5.923/5.953	6.56	0.84	1.55	2.75	1.58	
	2-11/16	17.8		60.7	217.4	27.00	120.7	136.7	38.1	20.6	31.8	111.3	69.9	101.6	150.44/151.21	166.6	21.3	39.4	69.9	40.1	
	70mm	8.2																			
215	2-15/16	18.9	WS515	2.46	9.13	1.063	4.75	5.50	1-1/2	0.81	1.25	4.38	2.75	4.44	5.923/5.953	6.69	0.86	1.60	2.75	1.60	
	3	18.7		62.5	231.9	27.00	120.7	139.7	38.1	20.6	31.8	111.3	69.9	112.8	150.44/151.21	169.9	21.8	40.6	69.9	40.6	
	75mm	8.6																			

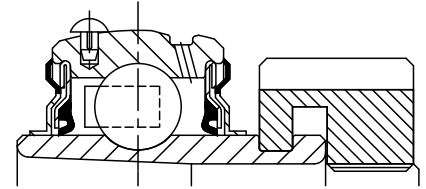
#R & S dimensions will vary slightly depending on true shaft diameter.

FEATURES/BENEFITS PAGE B5-2	HOW TO ORDER/NOMENCLATURE PAGE B5-4	SELECTION PAGE B5-5	RELATED PRODUCTS PAGE B5-70
--------------------------------	--	------------------------	--------------------------------

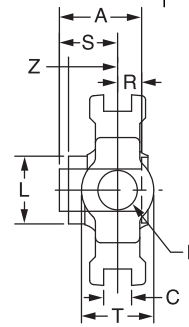
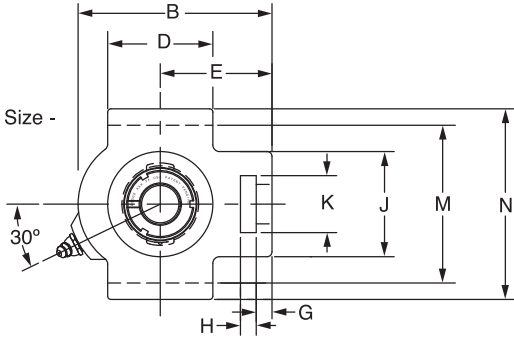


SELECTION/DIMENSIONS

GRIP TIGHT Adapter Ball Bearings GTM MEDIUM DUTY WIDE SLOT TAKE-UP BEARINGS



Lube Fitting Thread Size -
1/8 - 27 NPT



Series	Shaft Size	Complete Unit		Unit without Adapter Sleeve & Lock Nut		Adapter Sleeve & Lock Nut Assembly	
		Part No.	Description	Part No.	Description	Part No.	Description
205	3/4	136170	WSTU-GTM-012	136220	WSTU-GT-05	136597	AN-GTM-05-012-D
206	1 25mm	136171	WSTU-GTM-100	136221	WSTU-GTU-06	136541	AN-GTM-06-100-D
		136303	WSTU-GTM-25M			136561	AN-GTM-06-25M-D
207	1-3/16 1-1/4 30mm	136172	WSTU-GTM-103	136222	WSTU-GT-07	136542	AN-GTM-07-103-D
		136137	WSTU-GT-104			136528	AN-GT-07-104-D
		136304	WSTU-GTM-30M			136562	AN-GTM-07-30M-D
208	1-7/16 35mm	136173	WSTU-GTM-107	136223	WSTU-GT-08	136543	AN-GTM-08-107-D
		136305	WSTU-GTM-35M			136563	AN-GTM-08-35M-D
209	1-1/2 40mm	136174	WSTU-GTM-108	136224	WSTU-GT-09	136598	AN-GTM-09-108-D
		136306	WSTU-GTM-40M			136564	AN-GTM-09-40M-D
210	1-11/16 1-3/4 45mm	136175	WSTU-GTM-111	136225	WSTU-GT-10	136544	AN-GTM-10-111-D
		136176	WSTU-GTM-112			136599	AN-GTM-10-112-D
		136307	WSTU-GTM-45M			136565	AN-GTM-10-45M-D
211	1-15/16 2 50mm	136177	WSTU-GTM-115	136226	WSTU-GT-11	136545	AN-GTM-11-115-D
		136178	WSTU-GTM-200			136600	AN-GTM-11-200-D
		136308	WSTU-GTM-50M			136566	AN-GTM-11-50M-D
212	2-3/16 2-1/4 55mm	136179	WSTU-GTM-203	136227	WSTU-GT-12	136546	AN-GTM-12-203-D
		136180	WSTU-GTM-204			136601	AN-GTM-12-204-D
		136309	WSTU-GTM-55M			136567	AN-GTM-12-55M-D
214	2-7/16 2-1/2 65mm	136181	WSTU-GTM-207	136228	WSTU-GT-14	136547	AN-GTM-14-207-D
		136182	WSTU-GTM-208			136548	AN-GTM-14-208-D
		136310	WSTU-GTM-65M			136568	AN-GTM-14-65M-D
215	2-11/16 70mm	136183	WSTU-GTM-211	136229	WSTU-GT-15	136549	AN-GTM-15-211-D
		136311	WSTU-GTM-70M			136569	AN-GTM-15-70M-D
216	2-15/16 3 75mm	136184	WSTU-GTM-215	136230	WSTU-GT-16	136550	AN-GTM-16-215-D
		136185	WSTU-GTM-300			136551	AN-GTM-16-300-D
		136312	WSTU-GTM-75M			136570	AN-GTM-16-75M-D

@ Assembled to order

FEATURES/BENEFITS PAGE B5-2	HOW TO ORDER/NOMENCLATURE PAGE B5-4	SELECTION PAGE B5-5	RELATED PRODUCTS PAGE B5-70
--------------------------------	--	------------------------	--------------------------------

SELECTION/DIMENSIONS



GRIP TIGHT Adapter Ball Bearings GTM MEDIUM DUTY WIDE SLOT TAKE-UP BEARINGS

Bearing Reference Guide

ULTRA KLEEN

E-Z KLEEN

Extreme Duty

Setscrew Ball Bearing

GRIP TIGHT

D-LOK Ball Bearing

Series	Shaft Size	Weight lbs kg	Take-Up Frame Size	A	B	C	D	E	F Screw Dia.	G	H	J	K	L	M	N	R#	S#	T	Z
205	3/4	2.7	WS300	1.46 37.1	3.81 96.8	0.531 13.49	2.00 50.8	2.44 62.0	5/8 15.9	0.38 9.7	0.63 16.0	2.00 50.8	1.31 33.3	1.80 45.7	2.985/3.015 75.82/76.58	3.63 92.2	0.48 12.2	0.98 24.9	1.38 35.1	1.00 25.4
206	1 25mm	4.1 1.3	WS308	1.61 40.9	4.38 111.3	0.531 13.49	2.25 57.2	2.75 69.9	3/4 19.1	0.38 9.7	0.63 16.0	2.19 55.6	1.44 36.6	2.08 52.8	3.480/3.510 88.39/89.15	4.13 104.9	0.52 13.2	1.09 27.7	1.63 41.3	1.13 28.7
207	1-3/16 1-1/4 30mm	5.1 3.7	WS308	1.62 41.1	4.87 123.7	0.531 13.49	2.50 63.5	3.06 77.7	3/4 19.1	0.50 12.7	0.63 16.0	2.50 63.5	1.44 36.6	2.38 60.5	3.480/3.510 88.39/89.15	4.13 104.9	0.54 13.7	1.08 27.4	1.63 41.3	1.14 29.0
208	1-7/16 35mm	7.3 3.5	WS400	1.84 46.7	5.69 144.5	0.688 17.48	3.25 82.6	3.50 88.9	1 25.4	0.63 16.0	0.75 19.1	3.25 82.6	1.94 49.3	2.62 66.5	3.985/4.015 101.22/101.98	4.50 114.3	0.61 15.5	1.23 31.2	1.94 49.3	1.23 31.2
209	1-1/2 40mm	7.2 6.1	WS400	1.85 47.0	5.63 143.0	0.688 17.48	3.25 82.6	3.44 87.4	1 25.4	0.63 16.0	0.75 19.1	3.25 82.6	1.94 49.3	2.86 72.6	3.985/4.015 101.22/101.98	4.75 120.7	0.62 15.7	1.23 31.2	1.94 49.3	1.26 32.0
210	1-11/16 1-3/4 45mm	7.7 7.6	WS400	1.86 47.2	5.82 147.8	0.688 17.48	3.38 85.9	3.56 90.4	1 25.4	0.63 16.0	0.75 19.1	3.25 82.6	1.94 49.3	3.13 79.5	3.985/4.015 101.22/101.98	4.75 120.7	0.63 16.0	1.23 31.2	1.94 49.3	1.26 32.0
211	1-15/16 2 50mm	11.2 11.3	WS502	1.93 49.0	6.69 169.9	1.063 27.00	3.75 95.3	4.19 106.4	1-1/4 31.8	0.75 19.1	1.00 25.4	4.00 101.6	2.50 63.5	3.43 87.1	5.110/5.140 129.79/130.56	5.88 149.4	0.67 17.0	1.26 32.0	2.50 63.5	1.32 33.5
212	2-3/16 2-1/4 55mm	12.6 12.4	WS502	2.12 53.8	7.50 190.5	1.063 27.00	4.00 101.6	4.69 119.1	1-1/4 31.8	0.75 19.1	1.25 31.8	4.00 101.6	2.50 63.5	3.69 93.7	5.110/5.140 129.79/130.56	5.88 149.4	0.73 18.5	1.39 35.3	2.50 63.5	1.46 37.1
214	2-7/16 2-1/2 65mm	19.4 19.20 9.3	WS515	2.39 60.7	8.56 217.4	1.063 27.00	4.75 120.7	5.38 136.7	1-1/2 38.1	0.81 20.6	1.25 31.8	4.38 111.3	2.75 69.9	4.00 101.6	5.923/5.953 150.44/151.21	6.56 166.6	0.84 21.3	1.55 39.4	2.75 69.9	1.58 40.1
215	2-11/16 70mm	20.2 8.3	WS515	2.46 62.5	9.13 231.9	1.063 27.00	4.75 120.7	5.50 139.7	1-1/2 38.1	0.81 20.6	1.25 31.8	4.38 111.3	2.75 69.9	4.44 112.8	5.923/5.953 150.44/151.21	6.69 169.9	0.86 21.8	1.60 40.6	2.75 69.9	1.60 40.6
216	2-15/16 3 75mm	22.9 9.1	WS608	2.70 68.6	9.13 231.9	1.063 27.00	4.75 120.7	2.38 60.5	1-1/2 38.1	0.81 20.6	1.25 31.8	4.38 111.3	2.75 69.9	4.69 119.1	6.485/6.515 164.72/165.48	7.25 184.2	0.89 22.6	1.81 46.0	2.75 69.9	1.78 45.2

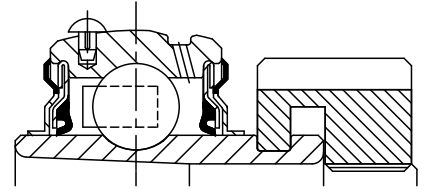
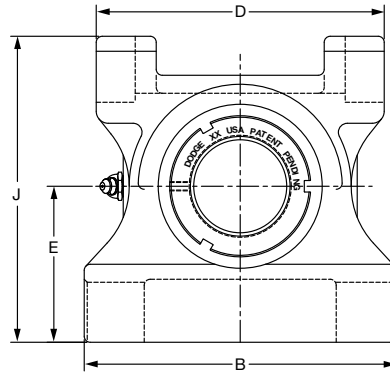
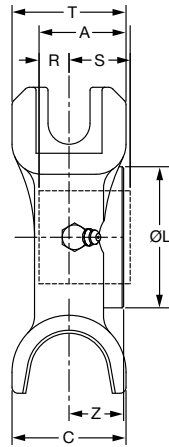
#R & S dimensions will vary slightly depending on true shaft diameter.

FEATURES/BENEFITS PAGE B5-2	HOW TO ORDER/NOMENCLATURE PAGE B5-4	SELECTION PAGE B5-5	RELATED PRODUCTS PAGE B5-70
--------------------------------	--	------------------------	--------------------------------

SELECTION/DIMENSIONS



GRIP TIGHT Adapter Ball Bearings GT NORMAL DUTY TOP ANGLE TAKE-UP BEARINGS



Series	Shaft Size	Complete Unit		Unit Without Adapter & Nut		Adapter & Nut Assembly	
		Part No.	Description	Part No.	Description	Part No.	Description
210	1-15/16	136152	TP-GT-115	136231	TP-GT-10	136534	AN-GT-10-115-D
	2	136153	TP-GT-200			136535	AN-GT-10-200-D
211	2	136189	TP-GTM-200	136232	TP-GT-11	136558	AN-GTM-11-200-D
	2-3/16	136154	TP-GT-203			136536	AN-GT-11-203-D
	2-1/4	136155	TP-GT-204			136537	AN-GT-11-204-D
212	2-1/4	136191	TP-GTM-204	136233	TP-GT-12	136559	AN-GTM-12-204-D
	2-7/16	136156	TP-GT-207			136538	AN-GT-12-207-D
214	2-1/2	136193	TP-GTM-208	136234	TP-GT-14	136594	AN-GTM-14-208-D
	2-11/16	136157	TP-GT-211			136548	AN-GT-14-211-D
215	2-15/16	136158	TP-GT-215	136235	TP-GT-15	136560	AN-GT-15-215-D

@ Assembled to order

Series	Shaft Size	Weight lbs	Take-Up Frame Size	A	B	C	D	E	J	L	R#	S#	T	Z
210	1-15/16	11.4	TP10	1.86	6.50	2.38	6.00	3.25	6.38	3.13	0.63	1.23	2.38	1.26
	2	11.2												
211	2	13.7	TP20	1.93	7.00	2.50	6.75	3.38	7.88	3.43	0.67	1.26	2.38	1.32
	2-3/16	13.2												
212	2-1/4	17.2	TP30	2.12	7.50	2.75	7.00	3.50	7.44	3.69	0.73	1.39	2.75	1.46
	2-7/16	17.1												
214	2-1/2	22.5	TP40	2.39	8.50	2.50	8.00	4.00	8.31	4.00	0.94	1.45	2.75	1.58
	2-11/16	22.3												
215	2-15/16	22.4	TP40	2.46	8.50	2.50	8.00	4.00	8.31	4.44	0.95	1.51	2.75	1.60

Lube fitting thread size - 1/8-27 NPT

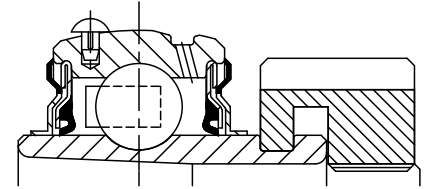
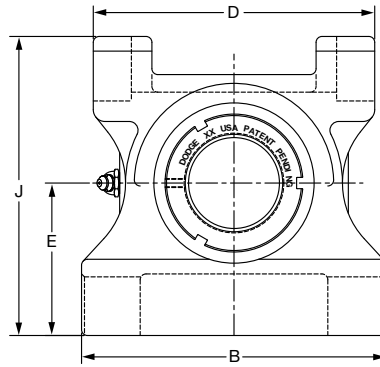
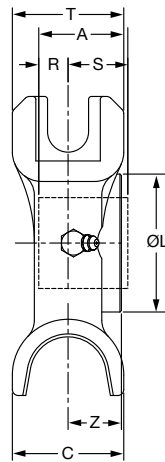
#R & S dimensions will vary slightly depending on true shaft diameter.

FEATURES/BENEFITS PAGE B5-2	HOW TO ORDER/NOMENCLATURE PAGE B5-4	SELECTION PAGE B5-5	RELATED PRODUCTS PAGE B5-70
--------------------------------	--	------------------------	--------------------------------

SELECTION/DIMENSIONS



GRIP TIGHT Adapter Ball Bearings GTM MEDIUM DUTY TOP ANGLE TAKE-UP BEARINGS



Series	Shaft Size	Complete Unit		Unit Without Adapter & Nut		Adapter & Nut Assembly	
		Part No.	Description	Part No.	Description	Part No.	Description
210	1-11/16	136186	TP-GTM 111	136231	TP-GT-10	136544	AN-GTM-10-111-D
	1-3/4	136187	TP-GTM-112			136599	AN-GTM-10-112-D
211	1-15/16	136188	TP-GTM 115	136232	TP-GT-11	136545	AN-GTM-11-115-D
	2	136189	TP-GTM-200			136600	AN-GTM-11-200-D
212	2-3/16	136190	TP-GTM-203	136233	TP-GT-12	136546	AN-GTM-12-203-D
	2-1/4	136191	TP-GTM-204			136601	AN-GTM-12-204-D
214	2-7/16	136192	TP-GTM-207	136234	TP-GT-14	136547	AN-GTM-14-207-D
	2-1/2	136193	TP-GTM-208			136548	AN-GTM-14-208-D
215	2-11/16	136194	TP-GM-211	136235	TP-GT-15	136549	AN-GTM-15-211-D
216	2-5/16	136195	TP-GTM 215	136236	TP-GT-16	136550	AN-GTM-16-215-D
	3	136196	TP-GTM-300			136551	AN-GTM-16-300-D
218	3-7/16	136197	TP-GTM-307	136237	TP-GT-18	136552	AN-GTM-18-307-D
	3-1/2	136198	TP-GTM-308			136603	AN-GTM-18-308-D

Series	Shaft Size	Weight lbs	Take-Up Frame Size	A	B	C	D	E	J	L	R#	S#	T	Z
210	1-11/16	11.6	TP10	1.86	6.50	2.38	6.00	3.25	6.38	3.13	0.63	1.23	2.38	1.26
	1-3/4	11.2												
211	1-15/16	14.0	TP20	1.93	7.00	2.50	6.75	3.38	7.88	3.43	0.67	1.26	2.38	1.32
	2	13.7												
212	2-3/16	17.4	TP30	2.12	7.50	2.75	7.00	3.50	7.44	3.69	0.73	1.39	2.75	1.46
	2-1/4	17.2												
214	2-7/16	22.9	TP40	2.39	8.50	2.50	8.00	4.00	8.31	4.00	0.94	1.45	2.75	1.58
	2-1/2	22.5												
215	2-11/16	26.2	TP40	2.46	8.50	2.50	8.00	4.00	8.31	4.44	0.95	1.51	2.75	1.60
216	2-15/16	31.0	TP50	2.70	9.50	2.75	9.00	4.50	9.63	4.69	0.99	1.71	3.13	1.78
	3	30.7												
218	3-7/16	41.4	TP50	2.80	11.00	3.13	10.50	5.50	11.00	5.19	1.02	1.78	3.13	1.81
	3-1/2	41.1												

Lube fitting thread size - 1/8-27 NPT

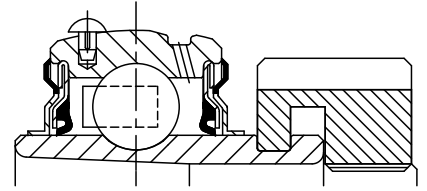
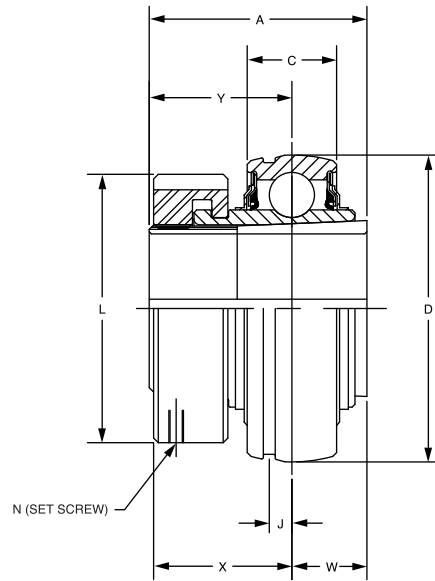
#R & S dimensions will vary slightly depending on true shaft diameter.

FEATURES/BENEFITS PAGE B5-2	HOW TO ORDER/NOMENCLATURE PAGE B5-4	SELECTION PAGE B5-5	RELATED PRODUCTS PAGE B5-70
--------------------------------	--	------------------------	--------------------------------

SELECTION/DIMENSIONS



GRIP TIGHT Adapter Ball Bearings GT NORMAL DUTY BEARING INSERTS



Series	Shaft Size	Complete Unit		Unit without Adapter Sleeve & Lock Nut		Adapter Sleeve & Lock Nut Assembly	
		Part No.	Description	Part No.	Description	Part No.	Description
203	1/2	129774	INS-GT-008	129516	INS-GT-03	136588	AN-GT-03-008-D
	5/8	129775	INS-GT-010			136521	AN-GT-03-010-D
	17mm	129796	INS-GT-17M			136589	AN-GT-03-17M-D
204	3/4	129776	INS-GT-012	129517	INS-GT-04	136522	AN-GT-04-012-D
	20mm	129797	INS-GT-20M			136553	AN-GT-04-20M-D
205	7/8	129777	INS-GT-014	129518	INS-GT-05	136590	AN-GT-05-014-D
	15/16	129778	INS-GT-015			136523	AN-GT-05-015-D
	1	129779	INS-GT-100			136524	AN-GT-05-100-D
	25mm	129798	INS-GT-25M			136554	AN-GT-05-25M-D
206	1-1/8	129780	INS-GT-102	129519	INS-GT-06	136525	AN-GT-06-102-D
	1-3/16	129781	INS-GT-103			136526	AN-GT-06-103-D
	1-1/4	129782	INS-GT-104S			136527	AN-GT-06-104S-D
	30mm	129799	INS-GT-30M			136555	AN-GT-06-30M-D
207	1-1/4	129783	INS-GT-104	129520	INS-GT-07	136528	AN-GT-07-104-D
	1-3/8	129784	INS-GT-106			136591	AN-GT-07-106-D
	1-7/16	129785	INS-GT-107			136529	AN-GT-07-107-D
	35mm	129800	INS-GT-35M			136556	AN-GT-07-35M-D

@ Assembled to order.

FEATURES/BENEFITS PAGE B5-2	HOW TO ORDER/NOMENCLATURE PAGE B5-4	SELECTION PAGE B5-5	RELATED PRODUCTS PAGE B5-70
--------------------------------	--	------------------------	--------------------------------

SELECTION/DIMENSIONS



GRIP TIGHT Adapter Ball Bearings GT NORMAL DUTY BEARING INSERTS

Bearing Reference Guide

ULTRA KLEEN

E-Z KLEEN

Extreme Duty

Setscrew Ball Bearing

GRIP TIGHT

D-LOK Ball Bearing

Series	Shaft Size	Weight lbs kg	A	C	D	J	L	N SetScrew (UNF)	W#	X	Y#
203	1/2	0.3	1.29	0.51	1.5748	0.15	1.40	#10-32 x 1/4	0.40	0.90	0.89
	5/8	0.3							10.2	22.9	22.6
	17mm	0.1	32.8	13.0	40.000	3.8	35.6				
204	3/4	0.6	1.48	0.58	1.8504	0.15	1.50	#10-32 x 1/4	0.46	1.03	1.02
	20mm	0.3	37.6	14.7	47.000	3.8	38.1		11.7	26.2	25.9
205	7/8	0.8	1.46	0.59	2.0472	0.16	1.80	#10-32 x 1/4	0.48	1.00	0.98
	15/16	0.8									
	1	0.8									
206	25mm	0.4	37.1	15.0	52.000	4.1	45.7	#10-32 x 1/4	12.2	25.4	24.9
	1-1/8	1.2	1.61	0.69	2.4409	0.16	2.08		0.52	1.13	1.09
	1-3/16	1.2									
207	1-1/4	1.8	1.62	0.75	2.8346	0.20	2.38	#10-32 x 1/4	0.54	1.14	1.08
	1-3/8	1.8									
	1-7/16	1.7									
	35mm	0.8	41.1	19.1	72.000	5.1	60.5		13.7	29.0	27.4

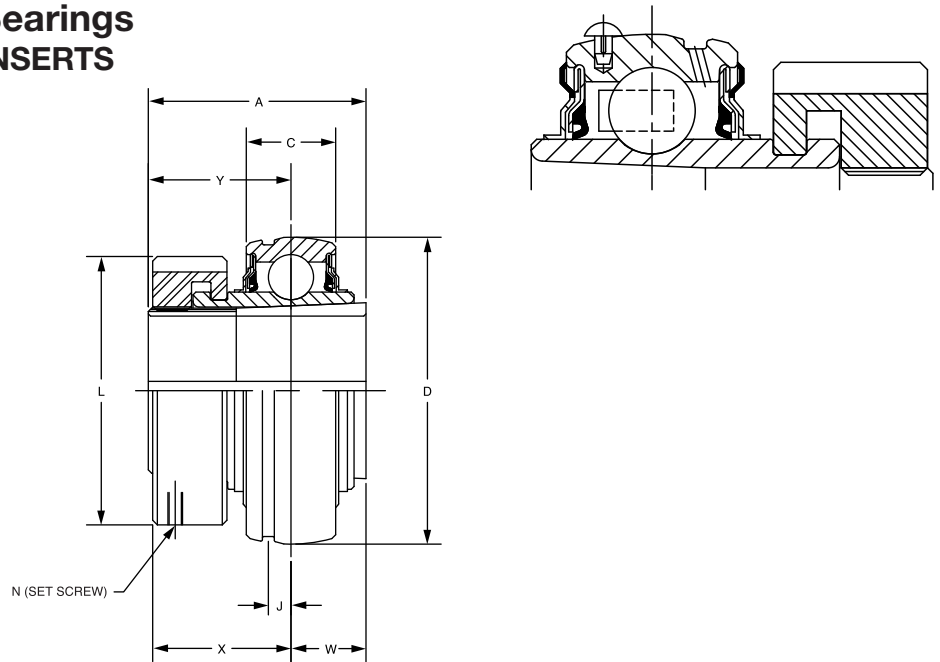
#W & Y dimensions will vary slightly depending on true shaft diameter.

FEATURES/BENEFITS PAGE B5-2	HOW TO ORDER/NOMENCLATURE PAGE B5-4	SELECTION PAGE B5-5	RELATED PRODUCTS PAGE B5-70
--------------------------------	--	------------------------	--------------------------------

SELECTION/DIMENSIONS



GRIP TIGHT Adapter Ball Bearings GT NORMAL DUTY BEARING INSERTS



Series	Shaft Size	Complete Unit		Unit without Adapter Sleeve & Lock Nut		Adapter Sleeve & Lock Nut Assembly	
		Part No.	Description	Part No.	Description	Part No.	Description
208	1-1/2	129786	INS-GT-108	129521	INS-GT-08	136530	AN-GT-08-108-D
	1-5/8	129844	INS-GT-110			136592	AN-GT-08-110-D
	40mm	129801	INS-GT-40M			136593	AN-GT-08-40M-D
209	1-5/8	129787	INS-GT-110L	129522	INS-GT-09	136531	AN-GT-09-110L-D
	1-11/16	129788	INS-GT-111			136532	AN-GT-09-111-D
	1-3/4	129789	INS-GT-112			136533	AN-GT-09-112-D
	45mm	129802	INS-GT-45M			136557	AN-GT-09-45M-D
210	1-15/16	129790	INS-GT-115	129523	INS-GT-10	136534	AN-GT-10-115-D
	2	129791	INS-GT-200			136535	AN-GT-10-200-D
	50mm	129803	INS-GT-50M			136558	AN-GT-10-50M-D
211	2	129815	INS-GTM-200	129524	INS-GT-11	136600	AN-GTM-11-200-D
	2-3/16	129792	INS-GT-203			136536	AN-GT-11-203-D
	2-1/4	129845	INS-GT-204			136537	AN-GT-11-204-D
	55mm	129804	INS-GT-55M			136559	AN-GT-11-55M-D
212	2-1/4	129817	INS-GTM-204	129525	INS-GT-12	136601	AN-GTM-12-204-D
	2-7/16	129793	INS-GT-207			136538	AN-GT-12-207-D
	60mm	129805	INS-GT-60M			136594	AN-GT-12-60M-D
214	2-1/2	129819	INS-GTM-208	129526	INS-GT-14	136548	AN-GTM-14-208-D
	2-11/16	129794	INS-GT-211			136539	AN-GT-14-211-D
	70mm	129806	INS-GT-70M			136560	AN-GT-14-70M-D
215	2-15/16	129795	INS-GT-215	129527	INS-GT-15	136540	AN-GT-15-215-D
	3	075681	INS-GT-300			136595	AN-GT-15-300-D
	75mm	129807	INS-GT-75M			136596	AN-GT-15-75M-D

© Assembled to order.

FEATURES/BENEFITS PAGE B5-2	HOW TO ORDER/NOMENCLATURE PAGE B5-4	SELECTION PAGE B5-5	RELATED PRODUCTS PAGE B5-70
--------------------------------	--	------------------------	--------------------------------

SELECTION/DIMENSIONS



GRIP TIGHT Adapter Ball Bearings GT NORMAL DUTY BEARING INSERTS

Bearing Reference Guide

ULTRA KLEEN

E-Z KLEEN

Extreme Duty

Setscrew Ball Bearing

GRIP TIGHT

D-LOK Ball Bearing

Series	Shaft Size	Weight lbs kg	A	C	D	J	L	N SetScrew (UNF)	W#	X	Y#	
208	1-1/2	2.2	1.84	0.87	3.1496	0.22	2.62	#10-32 x 1/4	0.61	1.23	1.23	
	1-5/8	2.0							15.5	31.2	31.2	
	40mm	1.0	46.7	22.1	80.000	5.6	66.5					
209	1-5/8	2.5	1.85	0.87	3.3465	0.25	2.86	#10-32 x 1/4	0.62	1.26	1.23	
	1-11/16	2.5										
	1-3/4	2.5										
210	45mm	1.2	47.0	22.1	85.000	6.4	72.6	#10-32 x 1/4	15.7	32.0	31.2	
	1-15/16	3.0	1.86	0.87	3.5433	0.25	3.13		#10-32 x 1/4	0.63	1.26	1.23
	2	3.0										
211	50mm	1.4	47.2	22.1	90.000	6.4	79.5	#10-32 x 1/4		16.0	32.0	31.2
	2	3.6	1.93	0.87	3.9370	0.25	3.43		#10-32 x 1/4	0.67	1.32	1.26
	2-3/16	3.4										
212	2-1/4	3.3						#10-32 x 1/4		17.0	33.5	32.0
	55mm	1.6	49.0	22.1	100.000	6.4	87.1		#10-32 x 1/4	0.73	1.46	1.39
	2-1/4	4.8	2.12	1.02	4.3307	0.25	3.69			#10-32 x 1/4	0.73	1.46
214	2-7/16	4.8						#10-32 x 1/4			18.5	37.1
	60mm	2.2	53.8	25.9	110.000	6.4	93.7		#10-32 x 1/4		0.84	1.58
	2-1/2	5.4	2.39	1.10	4.9213	0.26	4.00			#10-32 x 1/4	0.84	1.58
215	2-11/16	5.0						#10-32 x 1/4			21.3	40.1
	70mm	2.5	60.7	27.9	125.000	6.6	101.6		#10-32 x 1/4		0.86	1.60
	2-15/16	5.9	2.46	1.14	5.1181	0.28	4.44			#10-32 x 1/4	0.86	1.60
215	3	5.7						#10-32 x 1/4			21.8	40.6
	75mm	2.7	62.5	29.0	130.000	7.1	112.8					

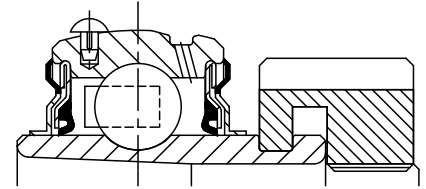
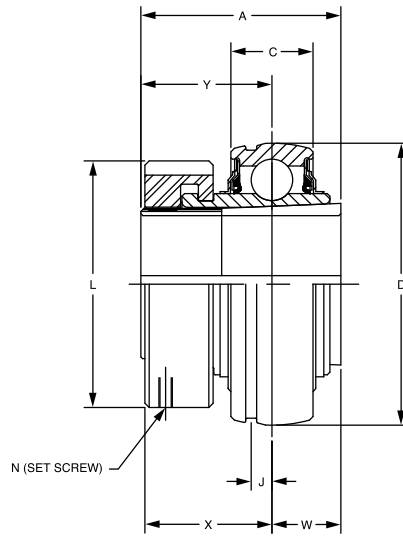
#W & Y dimensions will vary slightly depending on true shaft diameter.

FEATURES/BENEFITS PAGE B5-2	HOW TO ORDER/NOMENCLATURE PAGE B5-4	SELECTION PAGE B5-5	RELATED PRODUCTS PAGE B5-70
--------------------------------	--	------------------------	--------------------------------

SELECTION/DIMENSIONS



GRIP TIGHT Adapter Ball Bearings GTM MEDIUM DUTY BEARING INSERTS



Series	Shaft Size	Complete Unit		Unit without Adapter Sleeve & Lock Nut		Adapter Sleeve & Lock Nut Assembly	
		Part No.	Description	Part No.	Description	Part No.	Description
205	3/4	129417	INS-GTM-012	129518	INS-GT-05	136597	AN-GTM-05-012-D
206	1 25mm	129808	INS-GTM-100	129519	INS-GT-06	136541	AN-GTM-06-100-D
		129889	INS-GTM-25M			136561	AN-GTM-06-25M-D
207	1-3/16	129809	INS-GTM-103	129520	INS-GT-07	136542	AN-GTM-07-103-D
	1-1/4	129783	INS-GT-104			136528	AN-GT-07-104-D
	30mm	129890	INS-GTM-30M			136562	AN-GTM-07-30M-D
208	1-7/16	129810	INS-GTM-107	129521	INS-GT-08	136543	AN-GTM-08-107-D
	35mm	129891	INS-GTM-35M			136530	AN-GTM-08-35M-D
209	1-1/2	129811	INS-GTM-108	129522	INS-GT-09	136563	AN-GTM-09-108-D
	1-5/8	129787	INS-GT-110L			136598	AN-GT-09-110L-D
	40mm	129892	INS-GTM-40M			136531	AN-GTM-09-40M-D
210	1-11/16	129812	INS-GTM-111	129523	INS-GT-10	136564	AN-GTM-10-111-D
	1-3/4	129813	INS-GTM-112			136544	AN-GTM-10-112-D
	45mm	129893	INS-GTM-45M			136599	AN-GTM-10-45M-D
211	1-15/16	129814	INS-GTM-115	129524	INS-GT-11	136545	AN-GTM-11-115-D
	2	129815	INS-GTM-200			136600	AN-GTM-11-200-D
	50mm	129894	INS-GTM-50M			136566	AN-GTM-11-50M-D
212	2-3/16	129816	INS-GTM-203	129525	INS-GT-12	136546	AN-GTM-12-203-D
	2-1/4	129817	INS-GTM-204			136601	AN-GTM-12-204-D
	55mm	129895	INS-GTM-55M			136567	AN-GTM-12-55M-D
214	2-7/16	129818	INS-GTM-207	129526	INS-GT-14	136547	AN-GTM-14-207-D
	2-1/2	129819	INS-GTM-208			136548	AN-GTM-14-208-D
	65mm	129896	INS-GTM-65M			136568	AN-GTM-14-65M-D
215	2-11/16	129820	INS-GTM-211	129527	INS-GT-15	136549	AN-GTM-15-211-D
	70mm	129897	INS-GTM-70M			136569	AN-GTM-15-70M-D
216	2-15/16	129821	INS-GTM-215	129528	INS-GT-16	136550	AN-GTM-16-215-D
	3	129822	INS-GTM-300			136551	AN-GTM-16-300-D
	75mm	129898	INS-GTM-75M			136570	AN-GTM-16-75M-D
218	3-7/16	129823	INS-GTM-307	129529	INS-GT-18	136552	AN-GTM-18-307-D
	3-1/2	129824	INS-GTM-308			136603	AN-GTM-18-308-D
	85mm	129899	INS-GTM-85M			136571	AN-GTM-18-85M-D

© Assembled to order.

FEATURES/BENEFITS PAGE B5-2	HOW TO ORDER/NOMENCLATURE PAGE B5-4	SELECTION PAGE B5-5	RELATED PRODUCTS PAGE B5-70
--------------------------------	--	------------------------	--------------------------------

SELECTION/DIMENSIONS



GRIP TIGHT Adapter Ball Bearings GTM MEDIUM DUTY BEARING INSERTS

Bearing Reference Guide

ULTRA KLEEN

E-Z KLEEN

Extreme Duty

Setscrew Ball Bearing

GRIP TIGHT

D-LOK Ball Bearing

Series	Shaft Size	Weight lbs kg	A	C	D	J	L	N SetScrew (UNF)	W#	X	Y#
205	3/4	0.9	1.46	0.59	2.0472	0.16	1.80	#10-32 x 1/4	0.48	1.00	0.98
			37.1	15.0	52.000	4.1	45.7		12.2	25.4	24.9
206	1 25mm	1.8	1.61	0.69	2.4409	0.16	2.08	#10-32 x 1/4	0.52	1.13	1.09
		0.8	40.9	17.5	62.000	4.1	52.8		13.2	28.7	27.7
207	1-3/16 1-1/4 30mm	2.2	1.62	0.75	2.8346	0.20	2.38	#10-32 x 1/4	0.54	1.14	1.08
		1.7	41.1	19.1	72.000	5.1	60.5		13.7	29.0	27.4
208	1-7/16 35mm	2.5	1.84	0.87	3.1496	0.22	2.62	#10-32 x 1/4	0.61	1.23	1.23
		1.1	46.7	22.1	80.000	5.6	66.5		15.5	31.2	31.2
209	1-1/2 1-5/8 40mm	3.0	1.85	0.87	3.3465	0.25	2.86	#10-32 x 1/4	0.62	1.26	1.23
		2.5	47.0	22.1	85.000	6.4	72.6		15.7	32.0	31.2
210	1-11/16 1-3/4 45mm	3.0	1.86	0.87	3.5433	0.25	3.13	#10-32 x 1/4	0.63	1.26	1.23
		3.0	47.2	22.1	90.000	6.4	79.5		16.0	32.0	31.2
211	1-15/16 2 50mm	3.4	1.93	0.87	3.9370	0.25	3.43	#10-32 x 1/4	0.67	1.32	1.26
		3.3	49.0	22.1	100.000	6.4	87.1		17.0	33.5	32.0
212	2-3/16 2-1/4 55mm	4.9	2.12	1.02	4.3307	0.25	3.69	#10-32 x 1/4	0.73	1.46	1.39
		4.8	53.8	25.9	110.000	6.4	93.7		18.5	37.1	35.3
214	2-7/16 2-1/2 65mm	5.5	2.39	1.10	4.9213	0.26	4.00	#10-32 x 1/4	0.84	1.58	1.55
		5.4	60.7	27.9	125.000	6.6	101.6		21.3	40.1	39.4
215	2-11/16 70mm	5.9	2.46	1.14	5.1181	0.28	4.44	#10-32 x 1/4	0.86	1.60	1.60
		2.7	62.5	29.0	130.000	7.1	112.8		21.8	40.6	40.6
216	2-15/16 3 75mm	6.9	2.70	1.18	5.5118	0.29	4.69	#10-32 x 1/4	0.89	1.78	1.81
		6.8	68.6	30.0	140.000	7.4	119.1		22.6	45.2	46.0
218	3-7/16 3-1/2 85mm	8.8	2.80	1.34	6.2992	0.30	5.19	#10-32 x 1/4	0.96	1.81	1.84
		8.7	71.1	34.0	160.000	7.6	131.8		24.4	46.0	46.7

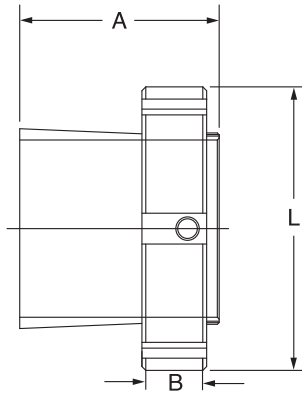
#W & Y dimensions will vary slightly depending on true shaft diameter.

FEATURES/BENEFITS PAGE B5-2	HOW TO ORDER/NOMENCLATURE PAGE B5-4	SELECTION PAGE B5-5	RELATED PRODUCTS PAGE B5-70
--------------------------------	--	------------------------	--------------------------------

SELECTION/DIMENSIONS



GRIP TIGHT Adapter Ball Bearings GT AND GTM ADAPTER & LOCK NUT ASSEMBLIES



Series	Shaft	Adapter Sleeve & Lock Nut Assembly	
	Size	Part No.	Description
203	1/2	136588	AN-GT-03-008-D
	5/8	136521	AN-GT-03-010-D
	17mm	136589	AN-GT-03-17M-D
204	3/4	136522	AN-GT-04-012-D
	20mm	136553	AN-GT-04-20M-D
205	3/4	136597	AN-GTM-05-012-D
	7/8	136590	AN-GT-05-014-D
	15/16	136523	AN-GT-05-015-D
	1	136524	AN-GT-05-100-D
206	25mm	136554	AN-GT-05-25M-D
	1	136541	AN-GTM-06-100-D
	1-1/8	136525	AN-GT-06-102-D
	1-3/16	136526	AN-GT-06-103-D
	1-1/4	136527	AN-GT-06-104S-D
207	25mm	136561	AN-GTM-06-25M-D
	30mm	136555	AN-GT-06-30M-D
	1-3/16	136542	AN-GTM-07-103-D
	1-1/4	136528	AN-GT-07-104-D
	1-3/8	136591	AN-GT-07-106-D
208	1-7/16	136529	AN-GT-07-107-D
	30mm	136556	AN-GTM-07-30M-D
	35mm	136562	AN-GT-07-35M-D
	1-7/16	136543	AN-GTM-08-107-D
209	1-1/2	136530	AN-GT-08-108-D
	1-5/8	136592	AN-GT-08-110-D
	35mm	136563	AN-GTM-08-35M-D
	40mm	136593	AN-GT-08-40M-D
209	1-1/2	136598	AN-GTM-09-108-D
	1-5/8	136531	AN-GT-09-110L-D
	1-11/16	136532	AN-GT-09-111-D
	1-3/4	136533	AN-GT-09-112-D
209	40mm	136564	AN-GTM-09-40M-D
	45mm	136557	AN-GT-09-45M-D

Series	Shaft	Adapter Sleeve & Lock Nut Assembly	
	Size	Part No.	Description
210	1-11/16	136544	AN-GTM-10-111-D
	1-3/4	136599	AN-GTM-10-112-D
	1-15/16	136534	AN-GT-10-115-D
	2	136535	AN-GT-10-200-D
	45mm	136565	AN-GTM-10-45M-D
211	50mm	136558	AN-GT-10-50M-D
	1-15/16	136545	AN-GTM-11-115-D
	2	136600	AN-GTM-11-200-D
	2-3/16	136536	AN-GT-11-203-D
	2-1/4	136537	AN-GT-11-204-D
212	50mm	136566	AN-GTM-11-50M-D
	55mm	136559	AN-GT-11-55M-D
	2-3/16	136546	AN-GTM-12-203-D
	2-1/4	136601	AN-GTM-12-204-D
	2-7/16	136538	AN-GT-12-207-D
214	55mm	136567	AN-GTM-12-55M-D
	60mm	136594	AN-GT-12-60M-D
	2-7/16	136547	AN-GTM-14-207-D
	2-1/2	136548	AN-GTM-14-208-D
	2-11/16	136539	AN-GT-14-211-D
215	65mm	136568	AN-GTM-14-65M-D
	70mm	136560	AN-GT-14-70M-D
	2-11/16	136549	AN-GTM-15-211-D
	2-15/16	136540	AN-GT-15-215-D
	3	136595	AN-GT-15-300-D
216	70mm	136569	AN-GTM-15-70M-D
	75mm	136596	AN-GT-15-75M-D
	2-15/16	136550	AN-GTM-16-215-D
218	3	136551	AN-GTM-16-300-D
	75mm	136570	AN-GTM-16-75M-D
218	3-7/16	136552	AN-GTM-18-307-D
	3-1/2	136603	AN-GTM-18-308-D
	85mm	136571	AN-GTM-18-85M-D

FEATURES/BENEFITS PAGE B5-2	HOW TO ORDER/NOMENCLATURE PAGE B5-4	SELECTION PAGE B5-5	RELATED PRODUCTS PAGE B5-70
--------------------------------	--	------------------------	--------------------------------

SELECTION/DIMENSIONS



GRIP TIGHT Adapter Ball Bearings GT AND GTM ADAPTER & LOCK NUT ASSEMBLIES

Bearing Reference Guide

ULTRA KLEEN

E-Z KLEEN

Extreme Duty

Setscrew Ball Bearing

GRIP TIGHT

D-LOK Ball Bearing

Series	Shaft Size	Weight lbs kg	A	B	L
203	1/2	.3	1.29	0.52	1.40
	5/8	.2			
	17mm	.1	32.8	13.2	35.6
204	3/4	.3	1.48	0.58	1.50
	20mm	.1	37.6	14.7	38.1
205	3/4	.4	1.46	0.58	1.80
	7/8	.4			
	15/16	.4			
	1	.3			
206	25mm	.1	37.1	14.7	45.7
	1	.5	1.61	0.63	2.08
	1-1/8	.4			
	1-3/16	.4			
	1-1/4	.3			
207	25mm	.2	40.9	16.0	52.8
	30mm	.2			
	1-3/16	.7	1.62	0.63	2.38
	1-1/4	.6			
	1-3/8	.5			
208	1-7/16	.8	1.84	0.63	2.62
	1-1/2	.7			
	1-5/8	.5			
	35mm	.4			
	40mm	.3	46.7	16.0	66.5
209	1-1/2	.9	1.85	0.65	2.86
	1-5/8	.8			
	1-11/16	.7			
	1-3/4	.6			
	40mm	.4			
45mm	.3	47.0	16.5	72.6	

Series	Shaft Size	Weight lbs kg	A	B	L
210	1-11/16	1.1	1.86	0.65	3.13
	1-3/4	1.0			
	1-15/16	.8			
	2	.7			
	45mm	.5			
211	50mm	.3	47.2	16.5	79.5
	1-15/16	1.4	1.93	0.68	3.43
	2	1.2			
	2-3/16	.9			
	2-1/4	.8			
212	50mm	.6	49.0	17.3	87.1
	55mm	.4			
	2-3/16	1.6	2.12	0.75	3.69
	2-1/4	1.5			
	2-7/16	1.1			
214	55mm	.7	53.8	19.1	93.7
	60mm	.6			
	2-7/16	2.2	2.39	0.75	4.00
	2-1/2	2.0			
	2-11/16	1.5			
215	65mm	.8	60.7	19.1	101.6
	70mm	.6			
	2/11/16	3.0	2.46	0.75	4.44
	2-15/16	2.2			
	3				
216	70mm	1.3	62.5	19.1	112.8
	75mm	1.0			
	2-15/16	3.0	2.70	0.75	4.69
	3	2.8			
218	75mm	1.4	68.6	19.1	119.1
	3-7/16	3.4	2.80	0.83	5.19
	3-1/2	3.1			
85mm	1.7	71.1	21.1	131.8	

FEATURES/BENEFITS PAGE B5-2	HOW TO ORDER/NOMENCLATURE PAGE B5-4	SELECTION PAGE B5-5	RELATED PRODUCTS PAGE B5-70
--------------------------------	--	------------------------	--------------------------------

RELATED PRODUCTS

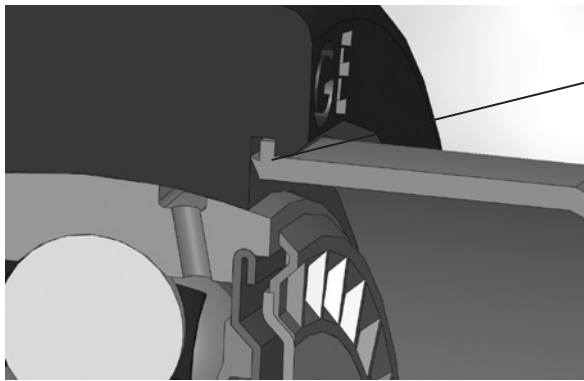


Dodge Snap-On End Covers ENHANCED SEALING / SAFER WORK ENVIRONMENT

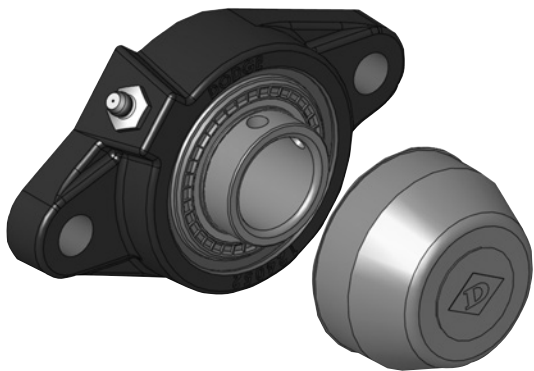
Housing Designed For Snap-On End Cover

GT and GTM bearings contain a machined groove in the housing to accommodate a snap-on style polymer end cover. The end cover provides additional protection from the environment and creates a safer working environment for employees maintaining equipment. The snap-on style end cover incorporates an additional lip on the mounting surface for a more rigid fit within the housing and enhanced sealing. The design is more durable than a blot-on style that uses the grease fitting to secure the cover in place and can be easily knocked off the bearing housings. Closed and open end covers are available.

- Available as a standard feature for GT/GTM
- Machined groove in housing accommodates snap-on style polymer end cover
- Extended lip on the outer diameter of end cover provides a secure fit and positive sealing
- Provides additional layer of protection in harsh environments
- Creates a safer work environment for employees
- OSHA approved yellow
- Closed and open end covers available



Extended lip provides a secure fit and positive sealing



FEATURES/BENEFITS
PAGE B5-2

HOW TO ORDER/NOMENCLATURE
PAGE B5-4

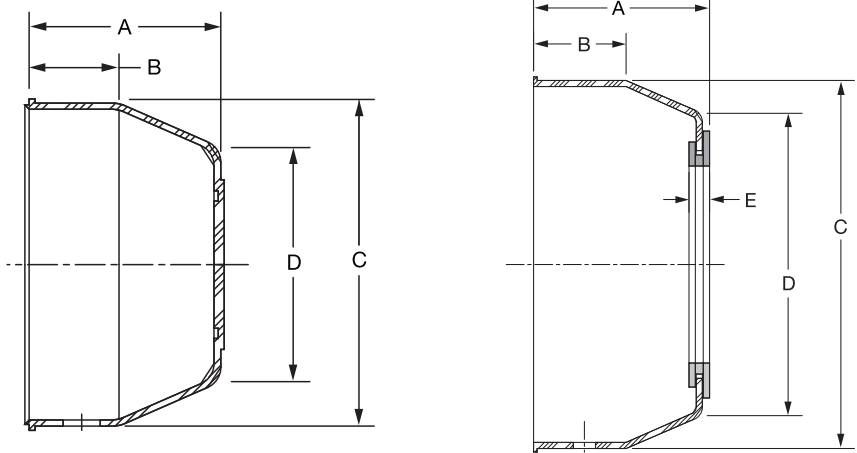
SELECTION
PAGE B5-5

SELECTION/DIMENSIONS
PAGE B5-8

RELATED PRODUCTS



Extreme Duty Ball Bearing END CLOSURES



Series	Closed End Closure	
	Part Number	Description
204	128280	EC-204-Y
205	128281	EC-205-Y
206	128282	EC-206-Y
207	128283	EC-207-Y
208	128284	EC-208-Y
209	128285	EC-209-Y
210	128286	EC-210-Y
211	128277	EC-211-Y
212	128278	EC-212-Y
214	128220	EC-214
215	128221	EC-215
216	128222	EC-216
218	128223	EC-218

Open End Closure		
Shaft Size	Part Number	Description
3/4	128350	ECO-012-Y
20mm	128363	ECO-20M-Y
1	128351	ECO-100-Y
25mm	128364	ECO-25M-Y
1-3/16	128352	ECO-103-Y
1-1/4	128353	ECO-104S-Y
30mm	128365	ECO-30M-Y
1-1/4	128355	ECO-104-Y
1-7/16	128354	ECO-107-Y
35mm	128366	ECO-35M-Y
1-1/2	128356	ECO-108-Y
40mm	128367	ECO-40M-Y
1-11/16	128357	ECO-111-Y
45mm	128368	ECO-45M-Y
1-15/16	128358	ECO-115-Y
50mm	128369	ECO-50M-Y
1-15/16	079702	ECO-115 (211) †
2	079701	ECO-200 (211) †
2-3/16	079700	ECO-203 (211)
2-1/4	079699	ECO-204 (211)
50mm	079698	ECO-50M (211) †
55mm	079697	ECO-55M (211)
2-3/16	079696	ECO-203 (212) †
2-1/4	079695	ECO-204 (212) †
2-7/16	079694	ECO-207 (212)
55mm	079693	ECO-55M (212) †
60mm	079692	ECO-60M (212)
2-7/16	127328	ECO-207 (214) †
2-1/2	127329	ECO-208 (214) †
2-11/16	127330	ECO-211 (214)
65mm	127337	ECO-65M (214) †
70mm	127338	ECO-70M (214)
2-11/16	127331	ECO-211 (215) †
2-15/16	127332	ECO-215 (215)
70mm	127339	ECO-70M (215) †
75mm	127340	ECO-75M (215)
2-15/16	127333	ECO-215 (216) †
3	127334	ECO-300 (216) †
75mm	127340	ECO-75M (216) †
3-7/16	127335	ECO-307 (218) †
3-1/2	127336	ECO-308 (218) †
85MM	127342	ECO-85M (218) †
90MM	127343	ECO-90M (218)

† SCM Series only

FEATURES/BENEFITS PAGE B5-2	HOW TO ORDER/NOMENCLATURE PAGE B5-4	SELECTION PAGE B5-5	SELECTION/DIMENSIONS PAGE B5-8
--------------------------------	--	------------------------	-----------------------------------



RELATED PRODUCTS

Open Cover Dimensions

Series	Shaft Size	A	B	C	D	E
204	3/4	1.19	0.53	1.91	1.38	0.19
	20mm	30.2	13.5	48.4	35.1	4.9
205	1	1.25	0.53	2.17	1.61	0.19
	25mm	31.8	13.5	55.1	40.9	4.9
206	1-3/16	1.39	0.56	2.50	0.97	0.19
	1-1/4					
	30mm	35.3	14.2	63.5	50.0	4.9
207	1-1/4	1.53	0.69	2.91	2.31	0.19
	1-7/16					
	35mm	38.9	17.5	73.9	58.9	4.9
208	1-1/2	1.59	0.69	3.31	2.77	0.20
	40mm	40.6	17.5	84.1	70.1	5.1
209	1-11/16	1.66	0.72	3.50	2.88	0.20
	45mm	41.9	18.3	88.9	72.9	5.1
210	1-15/16	1.72	0.91	3.63	3.00	0.20
	50mm	43.7	23.1	91.4	76.2	5.1
211	1-15/16	1.80	0.97	3.94	3.30	0.21
	2					
	2-3/16					
	2-1/4	50mm	45.5	24.6	100.1	83.6
212	2-3/16	1.91	1.00	4.38	3.66	0.21
	2-1/4					
	2-7/16					
	55mm					
	60mm					
214	2-7/16	3.00	1.50	4.90	3.75	0.30
	2-1/2					
	2-11/16					
	65mm	76.2	38.1	124.5	95.3	5.3
70mm						
215	2-11/16	3.00	1.50	5.20	4.00	0.30
	2-15/16					
	70mm	76.2	38.1	132.1	101.6	5.3
75mm						
216	2-15/16	3.00	1.50	5.50	4.38	0.30
	3					
75mm	76.2	38.1	139.7	111.1	5.3	
218	3-7/16	3.09	1.50	6.25	5.00	0.30
	3-1/2					
	85mm	78.6	38.1	158.8	127.0	5.3
90mm						

Closed Cover Dimensions

Series	Shaft Size	A	B	C	D
204	3/4	1.13	0.53	1.91	1.38
	20mm	28.7	13.5	48.4	35.1
205	1	1.19	0.53	2.17	1.61
	25mm	30.2	13.5	55.1	40.9
206	1-3/16	1.33	0.56	2.50	0.97
	1-1/4				
	30mm	33.8	14.2	63.5	50.0
207	1-1/4	1.47	0.69	2.91	2.31
	1-7/16				
	35mm	37.3	17.5	73.9	58.9
208	1-1/2	1.55	0.69	3.31	2.77
	40mm	39.1	17.5	84.1	70.1
209	1-11/16	1.59	0.72	3.50	2.88
	45mm	40.4	18.3	88.9	72.9
210	1-15/16	1.66	0.91	3.62	3.00
	50mm	42.2	23.1	91.4	76.2
211	1-15/16	1.80	0.97	3.94	3.30
	2				
	2-3/16				
	2-1/4	50mm	45.5	24.6	100.1
212	2-3/16	1.91	1.00	4.38	3.66
	2-1/4				
	2-7/16				
	55mm				
	60mm				
214	2-7/16	3.00	1.50	4.90	3.75
	2-1/2				
	2-11/16				
	65mm	76.2	38.1	124.5	95.3
70mm					
215	2-11/16	3.00	1.50	5.20	4.00
	2-15/16				
	70mm	76.2	38.1	132.1	101.6
75mm					
216	2-15/16	3.00	1.50	5.50	4.38
	3				
75mm	76.2	38.1	139.7	111.1	
218	3-7/16	3.09	1.50	6.25	5.00
	3-1/2				
	85mm	78.6	38.1	158.8	127.0
90mm					

RELATED PRODUCTS

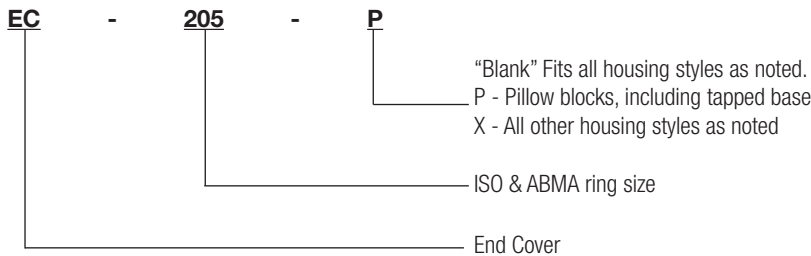


DODGE Ball Bearing End Covers

- Fits DODGE cast iron housed ball bearings: Pillow Blocks, 2 and 4-Bolt flanges, and Take-Up bearings
- Injected molded, impact resistant, OSHA safety yellow end covers meet requirements for exposed rotating shafts
- Stainless steel “C” washer for gripping power
- No modification or machining of existing housings required
- Concentric knockout grooves on inside of end cover for thru-shaft
- DODGE six digit part number and description embossed inside
- Operating temperature to 250° F
- For no relubrication/sealed for life applications (-NL), part number **430020** hex head plug is available



Nomenclature



Series	Pillow Blocks Std, U, B	Tapped Base PB	2-Bolt Flange	Flanged Bracket	4-Bolt Flange	Piloted Flange (FC)	Narrow Slot Take-Up	Wide Slot Take-Up
203	X		X		X			
204	X	X	X		X		X	X
205	X	X	X	X	X		X	X
206	X	X	X	X	X	@	X	X
207	X	X	X	X	X	@	X	X
208	X	X	X		X	@	X	X
209	X	X	X		X	@	X	X
210	X	X	X	X	X	@	X	X
211	X	X	X		X	NA	X	X
212	X		X		X	NA	X	X
214	X				X	NA		X
215	X				X			X
216	X				X	X		X
218	X				X	X		

* = Will not fit LF, LFT, SCHB, HNGR & CYL
 @ = Some modification required

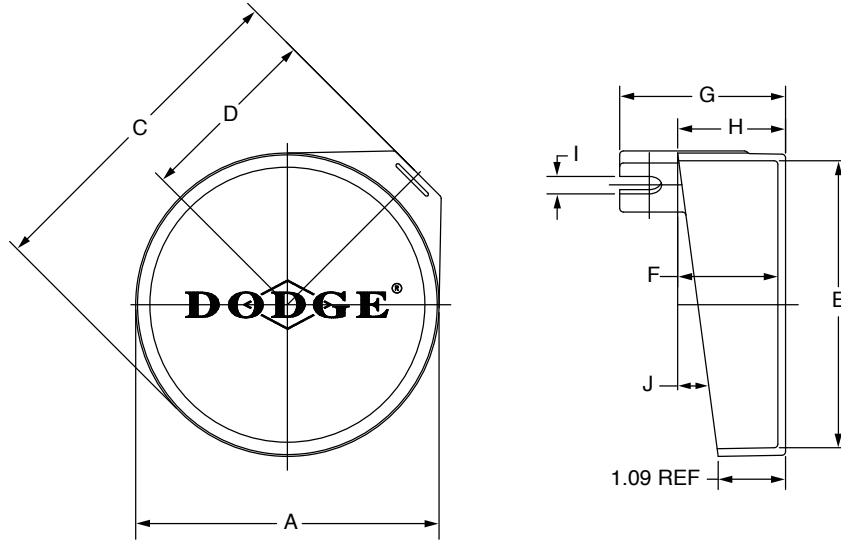
NA = Will not fit
 X = Will fit

FEATURES/BENEFITS PAGE B5-2	HOW TO ORDER/NOMENCLATURE PAGE B5-4	SELECTION PAGE B5-5	SELECTION/DIMENSIONS PAGE B5-8
--------------------------------	--	------------------------	-----------------------------------

RELATED PRODUCTS



Thin Wall Adapter Ball Bearings BALL BEARING END COVERS FOR PILLOW BLOCKS & TAPPED BASE UNITS



Series	Shaft Size		Part Number	Description
	GT	GTM		
203	1/2 & 5/8 17mm	-----	128200	EC-203-P
204	1/2 - 3/4 20mm	-----	128202	EC-204-P
205	7/8 - 1 25mm	-----	128204	EC-205-P
206	1-1/16 - 1-1/4 30mm	1 25mm	128206	EC-206-P
207	1-1/4 - 1-7/16 35mm	1-3/16 - 1-1/4 30mm	128208	EC-207-P
208	1-1/2 & 1-5/8 40mm	1-7/16 35mm	128210	EC-208-P
209	1-5/8 - 1-3/4 45mm	1-1/2 40mm	128212	EC-209-P
210	1-15/16 & 2 50mm	1-11/16 & 1-3/4 45mm	128214	EC-210-P
211	2 - 2-1/4 55mm	1-15/16 & 2 50mm	128216	EC-211-P
212	2-1/4 & 2-7/16 60mm	2-3/16 & 2-1/4 55mm	128218	EC-212-P

For no re-lube (-NL) applications, part number **430020**, hex head plug is available

FEATURES/BENEFITS PAGE B5-2	HOW TO ORDER/NOMENCLATURE PAGE B5-4	SELECTION PAGE B5-5	SELECTION/DIMENSIONS PAGE B5-8
--------------------------------	--	------------------------	-----------------------------------

RELATED PRODUCTS



Thin Wall Adapter Ball Bearings BALL BEARING END COVERS FOR PILLOW BLOCKS & TAPPED BASE UNITS

Bearing Reference Guide

ULTRA KLEEN

E-Z KLEEN

Extreme Duty

Setscrew Ball Bearing

GRIP TIGHT

D-LOK Ball Bearing

Series	Shaft Size		Weight lbs gm	A	B	C	D	E	F	G	H	I	J
	GT	GTM											
203	1/2 & 5/8 17mm	-----	0.02 10	1-25/32 45.2	1-43/64 42.5	2-7/64 53.6	1-3/32 27.8	1-41/64 41.7	49/64 19.4	1-29/64 36.9	29/32 23.0	1/4 6.4	9°
204	1/2 - 3/4 20mm	-----	0.03 15	2-3/64 52.0	1-27/32 46.8	2-37/64 65.5	1-19/64 32.9	1-55/64 47.2	1-1/64 25.8	1-49/64 44.8	1-5/32 29.4	5/16 7.9	11°
205	7/8 - 1 25mm	-----	0.05 24	2-3/8 60.3	2-3/16 55.6	2-13/16 71.4	1-3/16 30.2	2-5/32 54.8	1-1/16 27.0	1-7/8 47.6	1-7/32 31.0	11/32 8.7	9°
206	1-1/16 -1-1/4 30mm	1 25mm	0.08 36	2-47/64 69.5	2-17/32 64.3	3-21/64 84.5	1-45/64 43.3	2-1/2 63.5	1-15/64 31.4	2-5/32 54.8	1-13/32 35.7	23/64 9.1	9°
207	1-1/4 -1-7/16 35mm	1-3/16 -1-1/4 30mm	0.12 53	3-1/4 82.6	3 76.2	3-51/64 96.4	1-29/32 48.4	3-1/64 76.6	1-5/16 33.3	2-11/32 59.5	1-31/64 37.7	3/8 9.5	7° 30'
208	1-1/2 & 1-5/8 40mm	1-7/16 35mm	0.14 64	3-3/8 85.7	3-1/8 79.4	4 101.6	2-1/16 52.4	3-7/64 79.0	1-19/64 32.9	2-13/16 71.4	1-1/2 38.1	27/64 10.7	6°
209	1-5/8 -1-3/4 45mm	1-1/2 40mm	0.16 73	3-11/16 93.7	3-15/32 88.1	4-17/64 108.3	2-11/64 55.2	3-13/32 86.5	1-21/64 33.7	2-21/64 59.1	1-17/32 38.9	25/64 9.9	7°
210	1-15/16 & 2 50mm	1-11/16 & 1-3/4 45mm	0.18 82	3-7/8 98.4	3-37/64 90.9	4-1/2 114.3	2-19/32 65.9	3-37/64 90.9	1-23/64 34.5	2-1/2 63.5	1-9/16 39.7	31/64 12.3	9°
211	2 - 2-1/4 55mm	1-15/16 & 2 50mm	0.24 108	4-27/64 112.3	4 101.6	5-1/16 128.6	2-19/32 65.9	4-1/8 104.8	1-13/32 35.7	2-37/64 65.5	1-5/8 41.3	29/64 11.5	7°
212	2-1/4 & 2-7/16 60mm	2-3/16 & 2-1/4 55mm	0.27 124	4-59/64 125.0	4-15/32 113.5	5 29/64 138.5	2-3/4 69.9	4-39/64 117.1	1-17/32 38.9	2-11/16 68.3	1-3/4 44.5	13/32 10.3	8°

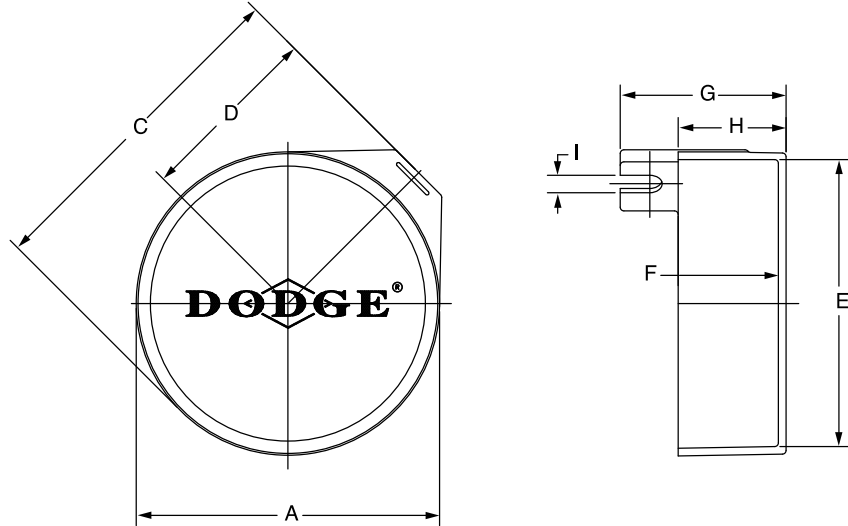
FEATURES/BENEFITS PAGE B5-2	HOW TO ORDER/NOMENCLATURE PAGE B5-4	SELECTION PAGE B5-5	SELECTION/DIMENSIONS PAGE B5-8
--------------------------------	--	------------------------	-----------------------------------

SELECTION/DIMENSIONS



Thin Wall Adapter Ball Bearings

BALL BEARING END COVERS FOR MOUNTED UNITS OTHER THAN PILLOW BLOCKS & TAPPED BASE UNITS



Series	Shaft Size		Part Number	Description
	GT	GTM		
203	1/2 & 5/8 17mm	-----	128201	EC-203-X
204	1/2 - 3/4 20mm	-----	128203	EC-204-X
205	7/8 - 1 25mm	-----	128205	EC-205-X
206	1-1/16 - 1-1/4 30mm	1 25mm	128207	EC-206-X
207	1-1/4 - 1-7/16 35mm	1-3/16 - 1-1/4 30mm	128209	EC-207-X
208	1-1/2 & 1-5/8 40mm	1-7/16 35mm	128211	EC-208-X
209	1-5/8 - 1-3/4 45mm	1-1/2 40mm	128213	EC-209-X
210	1-15/16 & 2 50mm	1-11/16 & 1-3/4 45mm	128215	EC-210-X
211	2 - 2-1/4 55mm	1-15/16 & 2 50mm	128217	EC-211-X
212	2-1/4 & 2-7/16 60mm	2-3/16 & 2-1/4 55mm	128219	EC-212-X

Note: Above end covers will not fit the LF and LFT bearings
 For no re-lube (-NL) applications, part number **430020**, hex head plug is available

FEATURES/BENEFITS PAGE B5-2	HOW TO ORDER/NOMENCLATURE PAGE B5-4	SELECTION PAGE B5-5	RELATED PRODUCTS PAGE B5-70
--------------------------------	--	------------------------	--------------------------------

SELECTION/DIMENSIONS



Thin Wall Adapter Ball Bearings

BALL BEARING END COVERS FOR MOUNTED UNITS OTHER THAN PILLOW BLOCKS & TAPPED BASE UNITS

Bearing Reference Guide

ULTRA KLEEN

E-Z KLEEN

Extreme Duty

Setscrew Ball Bearing

GRIP TIGHT

D-LOK Ball Bearing

Series	Shaft Size		Weight lbs gm	A	B	C	D	E	F	G	H	I
	GT	GTM										
203	1/2 & 5/8 17mm	-----	0.02 10	1-51/64 45.6	1-43/64 42.5	2-13/64 56.0	1-3/16 30.2	1-41/64 41.7	51/64 20.2	1-29/64 36.9	15/16 23.8	1/4 6.4
204	1/2 - 3/4 20mm	-----	0.03 15	2-7/32 56.4	2 50.8	2-47/64 69.5	1-25/64 35.3	2-1/32 51.6	1-1/64 25.8	1-13/16 46.0	1-5/32 29.4	5/16 7.9
205	7/8 - 1 25mm	-----	0.05 24	2-3/8 60.3	2-3/16 55.6	3-3/64 77.4	1-19/32 40.5	2-5/32 54.8	1-1/64 25.8	1-53/64 46.4	1-11/64 29.8	11/32 8.7
206	1-1/16 -1-1/4 30mm	1 25mm	0.08 36	2-47/64 69.5	2-17/32 64.3	3-21/64 84.5	1-45/64 43.3	2-1/2 63.5	1-3/16 30.2	2-1/16 52.4	1-23/64 34.5	23/64 9.1
207	1-1/4 -1-7/16 35mm	1-3/16 -1-1/4 30mm	0.12 53	3-1/4 82.6	3 76.2	3-27/32 97.6	1-31/32 50.0	3-1/64 76.6	1-11/32 34.1	2-11/32 59.5	1-17/32 38.9	3/8 9.5
208	1-1/2 & 1-5/8 40mm	1-7/16 35mm	0.14 64	3-3/8 85.7	3-1/8 79.4	4 101.6	2-1/16 52.4	3-7/64 79.0	1-19/64 32.9	2-13/32 61.1	1-1/2 38.1	27/64 10.7
209	1-5/8 -1-3/4 45mm	1-1/2 40mm	0.16 73	3-11/16 93.7	3-15/32 88.1	4-17/64 108.3	2-11/64 55.2	3-13/32 86.5	1-23/64 34.5	2-21/64 59.1	1-17/32 38.9	25/64 9.9
210	1-15/16 & 2 50mm	1-11/16 & 1-3/4 45mm	0.18 82	3-7/8 98.4	3-37/64 90.9	4-1/2 114.3	2-21/64 59.1	3-9/16 90.5	1-23/64 34.5	2-33/64 63.9	1-9/16 39.7	31/64 12.3
211	2 - 2-1/4 55mm	1-15/16 & 2 50mm	0.24 108	4-27/64 112.3	4 101.6	5-1/16 128.6	2-19/32 65.9	4-1/8 104.8	1-29/64 36.9	2-37/64 65.5	1-21/32 42.1	29/64 11.5
212	2-1/4 & 2-7/16 60mm	2-3/16 & 2-1/4 55mm	0.27 124	4-59/64 125.0	4-15/32 113.5	5 15/32 138.9	2-3/4 69.9	4-39/64 117.1	1-35/64 39.3	2-11/16 68.3	1-3/4 44.5	13/32 10.3

FEATURES/BENEFITS PAGE B5-2	HOW TO ORDER/NOMENCLATURE PAGE B5-4	SELECTION PAGE B5-5	RELATED PRODUCTS PAGE B5-70
--------------------------------	--	------------------------	--------------------------------



Bearing Reference
Guide

ULTRA KLEEN

E-Z KLEEN

Extreme Duty

Setscrew Ball Bearing

GRIP TIGHT

D-LOK Ball Bearing



CONTENTS

D-LOK® Ball Bearings

Features / Benefits	B6-3
How to Order / Nomenclature	B6-5
Selection	B6-6
Selection/Dimensions	
Pillow Blocks	
DL Normal Duty	B6-10
DLM Medium Duty	B6-18
Tapped Base	B6-22
CC DL Fan and Blower	B6-24
Flanges	
2-Bolt Flange	B6-26
3-Bolt Flange	B6-32
4-Bolt Flange	B6-34
Piloted Flange	B6-38
Take-Ups	
Narrow Slot	B6-42
Wide Slot	B6-46
Top Angle	B6-50
DL Normal Duty, Screw Conveyor Hanger & Cylindrical Units	B6-52
Inserts	
DL Normal Duty	B6-54
DLM Normal Duty	B6-58
Fan and Blowers	B6-60
Modifications/Accessories	B6-62
Related Products	
End Closures	B6-63
Part Number Index	INDEX-1
Key Word Index	KEYWORD-1



CONTENTS

Bearing Reference
Guide

ULTRA KLEEN

E-Z KLEEN

Extreme Duty

Setscrew Ball Bearing

GRIP TIGHT

D-LOK Ball Bearing



FEATURES/BENEFITS

D-LOK® Ball Bearings

For concentric grip on the shaft and less vibration at higher speeds, specify DODGE D-LOK normal- or medium-duty mounted ball bearings.

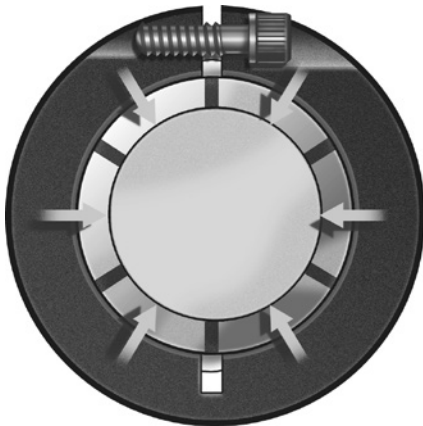
These unique, concentric collar bearings are engineered with features that assure you superior holding power with improved concentricity.

Even at high speeds, the D-LOK bearing grips the shaft tighter and more uniformly for less vibration.

Manufactured at our state-of-the-art, ISO 9002 certified DODGE bearing plant. The new DODGE D-LOK bearing features:

- Precision-hardened and honed inner and outer rings
- New rugged housing design
- Normal-duty wide inner ring
- D-LOK locking mechanism
- DODGE DualGuard positive contact seal including rubberized flingers
- Stronger, flexible ball retainer
- Simplified anti-rotation device
- Wide variety of styles
- 3/4" to 3-7/16" (20 to 70mm) bore sizes
- Electrostatically applied epoxy paint
- Options:
 - Corrosion-resistant inserts
 - FDA/USDA lubricant and other special lubricants
 - High temperature

D-LOK Concentric Clamp Collar

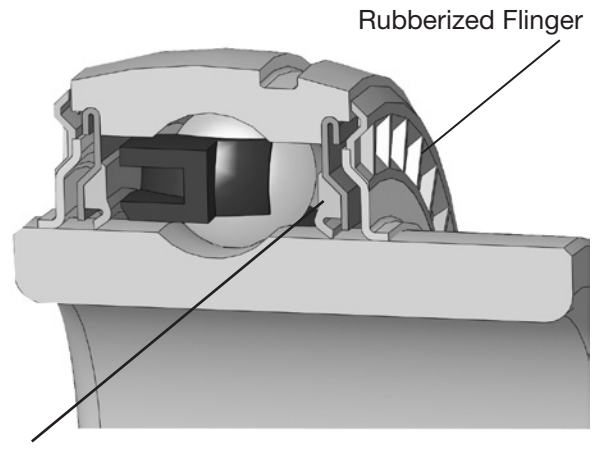


The D-LOK concentric clamp collar, with a single standard hex head cap screw and relief slot, provides greater holding power over competitive products. The collar, installed over the slotted inner ring, locks the bearing on the shaft concentrically without marring or burring and provides a 360° clamping force to the shaft with minimal run out (T.I.R.) for less vibration.

Patent number 5417500

DODGE End Covers

Available from stock to fit DL and DLM mounted units, these end covers are designed for added protection from contaminants as well as for OSHA requirements. Covers are OSHA yellow.



DualGuard Seal

- Mechanically retained single lip seal for added strength
 - Purgeable design
 - Nitrile rubber lip
 - Keeps out contaminants
- Rubberized flinger
 - Dodge-only technology
 - Rubberized flinger provides external protection and discards contaminants as it rotates
 - Molded baffles in flinger act like a paddle wheel to help deflect liquids
 - Molded rubber increases the acceleration rate of the contaminants as they are thrown away from the bearing.

Note: Instruction manuals and drawings for Dodge bearings are available on www.dodge-pt.com



FEATURES/BENEFITS

Bearing Reference Guide

ULTRA KLEEN

E-Z KLEEN

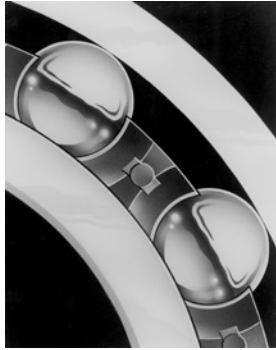
Extreme Duty

Setscrew Ball Bearing

GRIP TIGHT

D-LOK Ball Bearing

D-LOK® Ball Bearings NON-METALLIC RETAINER

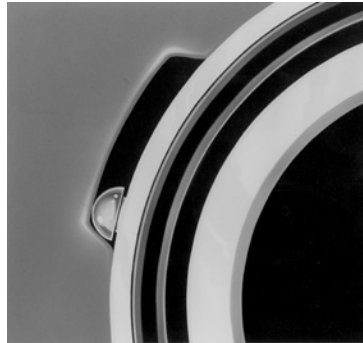


Ball cage is made of heat-stabilized nylon, reinforced with 33% short strand fiberglass. This non-metallic container operates in higher temperatures with less water absorption and retains natural lubricity and flexibility.

ANTI-ROTATION PIN

Anti-rotation pin prevents rotation of the outer ring within the housing.

Simple and effective, it makes system inserts easier to replace. There is no need to remove and replace grease fittings, location pins or other devices.



EXPANSION AND NON-EXPANSION MODELS

A complete series of expansion and non-expansion pillow blocks and bearing inserts are available, these all have the standard features of our D-LOK, plus a specially engineered retainer to meet the operating conditions where these bearings are required.

RUGGED HOUSING DESIGN

Rugged housing design offers added strength. Solid feet are drilled for dowel pins - simplifies installation, alignment.

WIDE VARIETY OF STYLES

Normal Duty

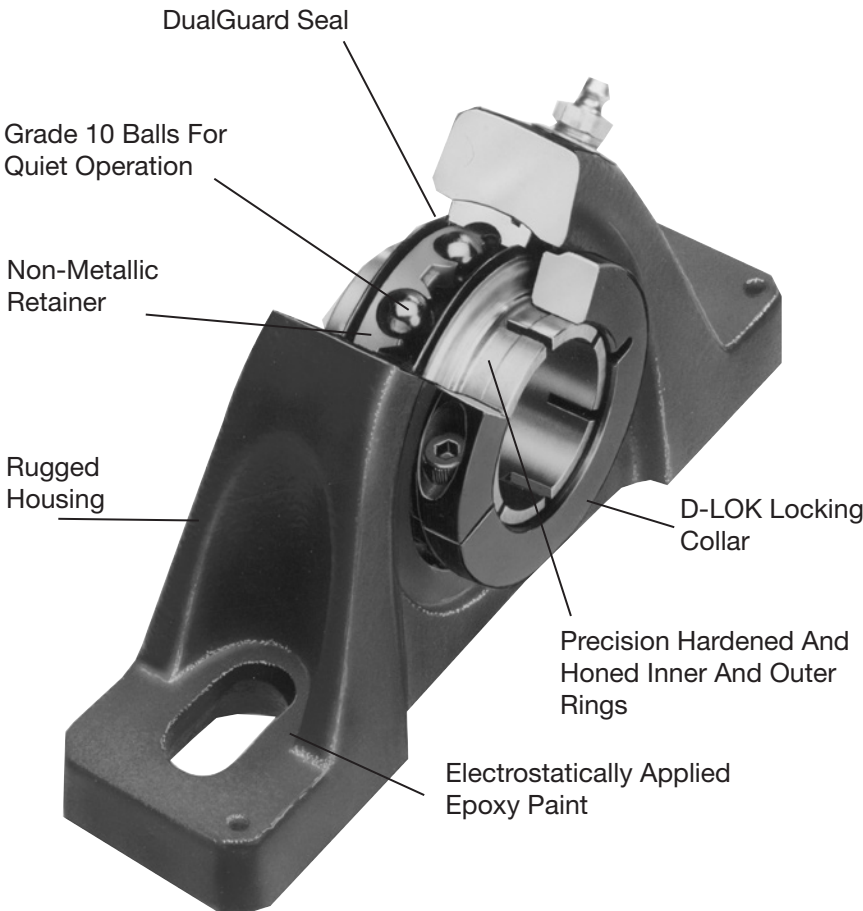
- DL PILLOW BLOCKS
- DLB PILLOW BLOCKS
- DLH-E PILLOW BLOCKS
- DL Tapped Base Pillow Blocks
- DL 2-Bolt Flanges
- DL Flanged Bracket Bearings
- DL 4-Bolt Flanges
- DL Piloted Flanges
- DL Take-Up Bearings
- DL Screw Conveyor Hanger Bearings
- DL Inserts

Medium Duty

- DLM Pillow Blocks
- DLM 2-Bolt Flanges
- DLM 4-Bolt Flanges
- DLM Piloted Flanges
- DLM Take-Up Bearings
- DLM Inserts

IN STOCK NEAR YOU

The complete line of DODGE mounted ball bearings is available at your local authorized DODGE distributor. For more information, check the Yellow Pages for your local distributor, call (864) 297-4800, or fax (864) 281-2318.



Note: Instruction manuals and drawings for Dodge bearings are available on www.dodge-pt.com



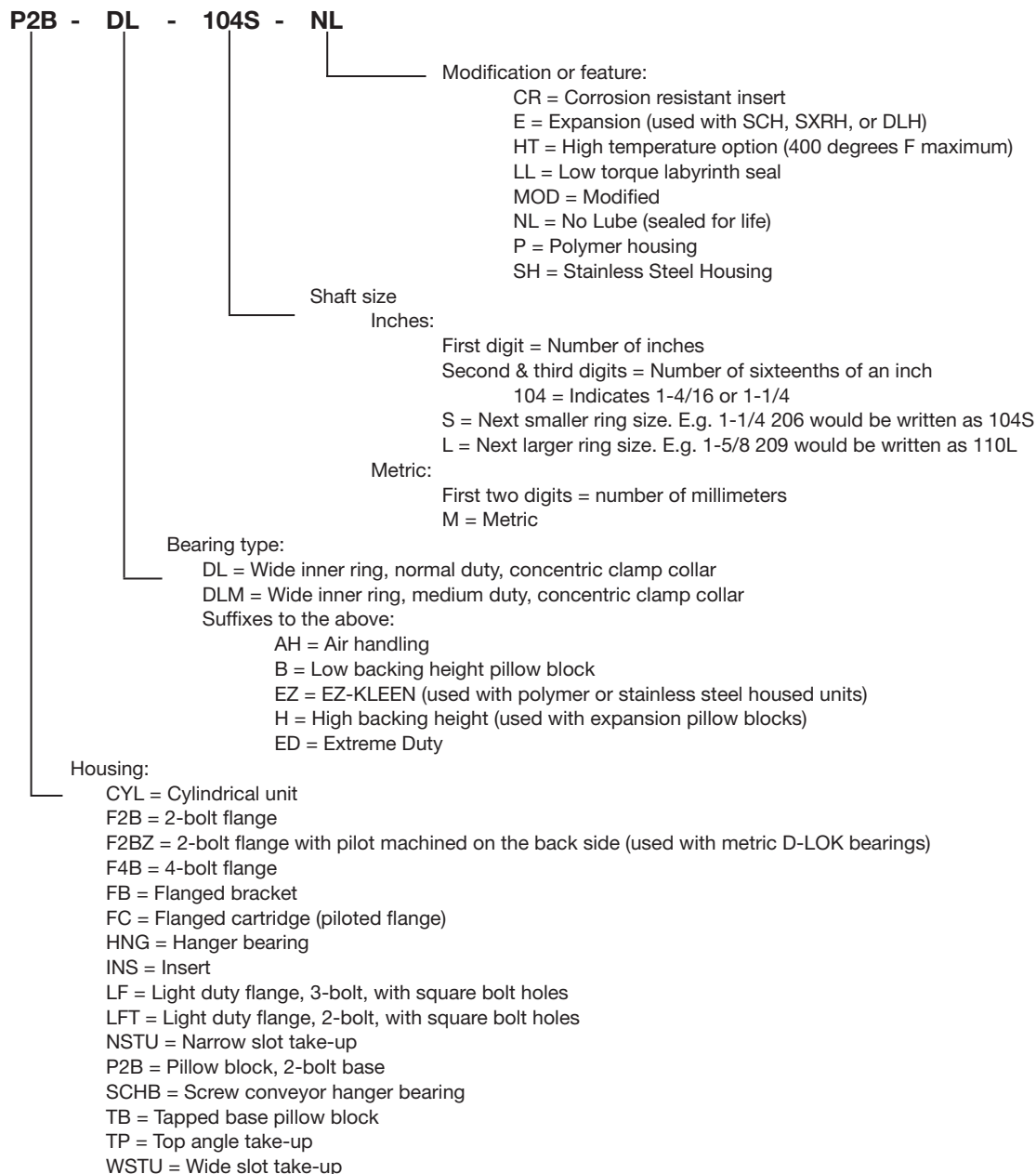
HOW TO ORDER/NOMENCLATURE

D-LOK® Ball Bearings

HOW TO ORDER

There are two ways to specify DODGE Bearings. Most of the product offerings have part numbers with listings shown throughout this catalog. Use of part numbers ensures accurate order processing.

When part numbers are not shown, the product may be specified by description or part name. This method is used when ordering units that include modifications or options. To order by description, use the nomenclature shown below and add any special instruction to the end of the description for options not covered by the nomenclature.



FEATURES/BENEFITS PAGE B6-3	SELECTION PAGE B6-6	SELECTION/DIMENSIONS PAGE B6-10	ACCESSORIES PAGE B6-62
--------------------------------	------------------------	------------------------------------	---------------------------



SELECTION

D-LOK® Ball Bearings

Recommended Torque													
Setscrews					D-LOK			Mounting Bolts					
Setscrew Size	Key Hex Across Flats	Recommended Torque			Cap Screw Size	Recom. Torque	EZ-KLEEN Recom. Torque	Metal Housings		EZ-KLEEN Housed Bearings			
		Standard Ball Bearing Insert		Corrosion Resistant Stainless Steel				Bolt Size	Recom. Dry Torque (Grade 2)	2-Bolt PB, 2 & 4 Bolt Fig. and Fig. Brackets		Tapped Base PB	
		Min	Max							Bolt Size	Torque ①	Bolt Size	Torque ②
(in.)	(in.)	(in.-lbs.)	(in.-lbs.)	(in.-lbs.)	(in.)	(in.0lbs.)	(in.-lbs.)	(in.)	(in.0lbs.)	(in.)	(in.-lbs.)	(in.)	(in.-lbs.)
#10	3/32	28	33	25	#8-32	58	46	3/8-16	240	3/8-16	225	3/8-16	175
1/4	1/8	66	80	60	#10-32	90	72	7/16-14	384	7/16-14	350	7/16-14	350
5/16	5/32	126	156	117	1/4-28	180	144	1/2-13	600	1/2-13	500	1/2-13	400
3/8	3/16	228	275	206	5/16-24	400	320	5/8-11	1200	9/16-12	650		
7/16	7/32	342	428	321	3/8-24	750	600	3/4-10	1950	5/8-11	1000		
								7/8-9	2890				
(mm)	(mm)	(N-m)	(N-m)	(N-m)	(mm)	(N-m)	(N-m)	(mm)	(N-m)	(mm)	(N-m)	① Torque for Austenitic (18-8) Stainless ② Max. torque values published. Do not exceed	
M5	2.5	3.2	3.7	2.8	M4	585	4.68	M10	29	M8	15		
M6	3	6.2	7.7	5.8	M5	10.75	8.6	M12	50	M10	25		
M8	4	14.2	17.8	13.4	M6	20.5	16.4	M16	124	M12	50		
M10	5	26	31	23	M8	45	36	M20	238	M14	75		
M12	6	46	57	43				M22	322	M18	125		

Lubrication

High Speed Operation - In the higher speed ranges, too much grease will cause over-heating. The amount of grease that the bearing will take for a particular high speed application can only be determined by experience. If excess grease in the bearing causes overheating, it will be necessary to remove grease fitting to permit excess grease to escape. The bearing has been greased at the factory and is ready to run. When establishing a relubrication schedule, note that a small amount of grease at frequent intervals is preferable to a large amount at infrequent intervals.

Lubrication Guide

Use a No. 2 Lithium complex base grease or equivalent*

Hours Run per Day	Suggested Lubrication Period in Weeks							
	1 to 250 RPM	251 to 500 RPM	501 to 750 RPM	751 to 1000 RPM	1001 to 1500 RPM	1501 to 2000 RPM	2001 to 2500 RPM	2501 to 3000 RPM
8	12	12	10	7	5	4	3	2
16	12	7	5	4	2	2	1	1
24	10	5	3	2	1	1	1	1

* For EZ-KLEEN series bearings, use an aluminum complex base grease.

Lubrication recommendations are intended for standard products applied in general operating conditions. For modified products, high temperature applications, and other anomalous applications contact product engineering at 864-284-5700.

Note: Bearing analysis program "BEST" is available on www.ptwizard.com

FEATURES/BENEFITS PAGE B6-3	HOW TO ORDER/NOMENCLATURE PAGE B6-5	SELECTION/DIMENSIONS PAGE B6-10	ACCESSORIES PAGE B6-62
--------------------------------	--	------------------------------------	---------------------------



SELECTION

D-LOK® Ball Bearings

DODGE mounted ball bearings are primarily designed for radial loading. However, they have the capacity to carry thrust loads and combined radial/thrust loads. The maximum recommended load which can be applied is limited by various components in the system, such as bearing, housing, shaft attachments, speed and life requirements. DODGE mounted ball bearings have been applied successfully when these limits have been exceeded under controlled operating conditions. Contact DODGE Engineering for applications which exceed these recommendations.

Select a bearing from the Selection Chart that has a radial load rating at the operating speed equal to or greater than the calculated Equivalent Radial load for a desired L₁₀ life. This simple method is all that is required for the majority of general applications and provides for occasional average shock loads.

L₁₀ Hours Life-is the life which may be expected for at least 90% of a given group of bearings operating under identical conditions. For an L₁₀ hours life other than those listed in the Selection Chart, multiply the equivalent Radial load by one of the following factors. For 50,000 L₁₀ hours life, use a factor of 1.18 and for 80,000, use 1.39. Then select a bearing from the bold face (30,000) L₁₀ ratings only in the Selection Chart that has a rating equal to or greater than this value.

Heavy Service-For heavy shock loads, frequent shock loads or severe vibrations, add up to 50% (according to severity of conditions) to the Equivalent Radial Load to obtain a Modified Equivalent Radial Load. Consult Application Engineering for additional selection assistance.

A thrust load value of C/10 is recommended as a guide for general applications and will give adequate L₁₀ life. Where substantial radial load pulls the housing away from the mounting base, both the hold-down bolts and housing must be of adequate strength. Auxiliary load carrying devices, such as shear bars, are advisable for side or end-loading of pillow blocks and radial loads for flange units.

To determine the L₁₀ hours life for loads and RPM's not listed use the following equation:

$$L_{10} = \left(\frac{C}{P}\right)^3 \times \frac{16,667}{N}$$

Where:

L₁₀ = Life, hours

C = Dynamic Capacity, lbs. or N

P = Equivalent Radial Load, lbs. or N

N = Revolutions per minute

When the load on a ball bearing is solely a radial load with no thrust (axial) load, the Equivalent Radial Load (P) is equal to the actual radial load. However, when a thrust (axial) load is applied, the radial and thrust loads applied must be converted into an Equivalent Radial Load. The use of the X (radial factor) and Y (thrust factor) from Table 1 convert the actual applied thrust and radial loads to an Equivalent Radial Load which has the same effect on the life of a bearing as a radial load of this magnitude.

$$P = (X \times F_R) + (Y \times F_A)$$

Where:

P = Equivalent Radial Load, lbs.

F_R = Radial load, lbs.

F_A = Thrust load, lbs.

e = Thrust load to radial load factor (Table 1)

X = Radial load factor (Table 1)

Y = Thrust factor (Table 1)

C₀ = Basic static capacity

To find X and Y, first calculate F_A/C₀ to determine e. Calculate F_A/F_R and compare to e to determine the X and Y factors to use from Table 1.

Substitute all known values into the Equivalent Radial Load equation. The Equivalent Radial loads (P) thus determined can be used in the L₁₀ life formula or compared to the allowable Equivalent Radial Load rating desired in the expanded rating chart to select a bearing (Table 2).

If calculated value of P is less than F_R, use P=F_R.

Table 1

F _A / C ₀	e	Radial/thrust Factors			
		If F _A /F _R is equal to or less than e		If F _A /F _R is greater than e	
		F _A /F _R ≤ e		F _A /F _R > e	
		X	Y	X	Y
0.014	0.19	1	0	0.56	2.30
0.021	0.21	1	0	0.56	2.15
0.028	0.22	1	0	0.56	1.99
0.042	0.24	1	0	0.56	1.85
0.056	0.26	1	0	0.56	1.71
0.070	0.27	1	0	0.56	1.63
0.084	0.28	1	0	0.56	1.55
0.110	0.30	1	0	0.56	1.45
0.170	0.34	1	0	0.56	1.31
0.280	0.38	1	0	0.56	1.15
0.420	0.42	1	0	0.56	1.04
0.560	0.44	1	0	0.56	1.00

Lubrication-DODGE Ball Bearings are lubricated at the factory and are ready to run. The bearings are initially lubricated with a lithium complex grease and should be relubricated with the same or some equivalent. For high speeds, high loads, extreme temperatures and other abnormal operating conditions, special greases may be required. Contact DODGE Application Engineering for recommendations on these types of applications.

Misalignment-DODGE Ball Bearings are designed to allow a maximum of ±2° static misalignment. These bearings are not suitable for dynamic misalignment. To ensure good alignment, mounting surfaces must be checked for flatness and must lie in the same plane. When tightening base bolts, each bolt should be alternately tightened in incremental torque values until full torque is achieved to prevent the angular shifting of the pillow block that occurs when one bolt is tightened to its full torque. Shimming may be required to minimize misalignment.

Normal Shaft Size Inches	Shaft Tolerances	
	Commercial Shaft Tolerances Inches	Recommended Shaft Tolerances D-LOK Lock Ball Bearings Inches
Up to 1-1/2	+0.000 -0.002	+0.0000 -0.0005
Over 1-1/2 to 2-1/2	+0.000 -0.003	+0.0000 -0.0010
Over 2-1/2 to 4	+0.000 -0.004	+0.0000 -0.0010

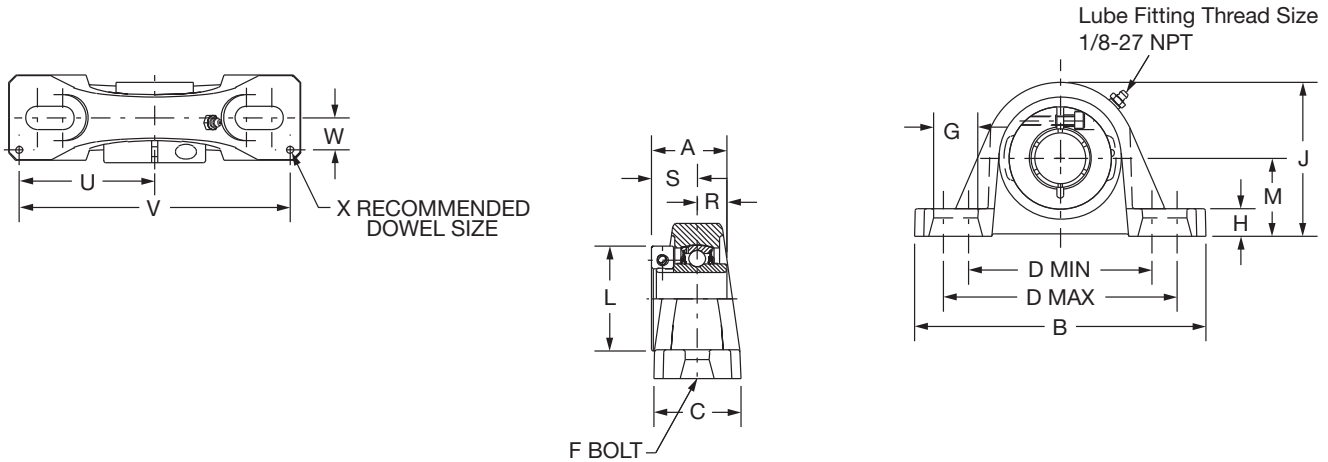
Note: Bearing analysis program "BEST" is available on www.ptwizard.com

FEATURES/BENEFITS PAGE B6-3	HOW TO ORDER/NOMENCLATURE PAGE B6-5	SELECTION/DIMENSIONS PAGE B6-10	ACCESSORIES PAGE B6-62
--------------------------------	--	------------------------------------	---------------------------

SELECTION/DIMENSIONS



D-LOK® Ball Bearings DL NORMAL DUTY PILLOW BLOCKS



Series	Shaft Size	Part No.	Description
204	3/4	128700	P2B-DL-012
	20mm	126601	P2B-DL-20M
205	7/8	128701	P2B-DL-014
	15/16	128702	P2B-DL-015
	1	128703	P2B-DL-100
	25mm	126602	P2B-DL-25M
206 (DLU)	1-1/8	128704	P2B-DLU-102
	1-3/16	128705	P2B-DLU-103
	1-1/4	128706	P2B-DLU-104S
	30mm	126603	P2B-DLU-30M
207	1-1/4	128707	P2B-DL-104
	1-3/8	128708	P2B-DL-106
	1-7/16	128709	P2B-DL-107
	35mm	126604	P2B-DL-35M
208 (DLB)	1-1/2	128710	P2B-DLB-108
	40mm	126605	P2B-DLB-40M
209	1-5/8	128711	P2B-DL-110L
	1-11/16	128712	P2B-DL-111
	1-3/4	128713	P2B-DL-112
	45mm	126606	P2B-DL-45M
210	1-15/16	128714	P2B-DL-115
	2	128715	P2B-DL-200
	50mm	126607	P2B-DL-50M
211	2	128830	P2B-DLM-200
	2-3/16	128717	P2B-DL-203
	55mm	126608	P2B-DL-55M
212	2-1/4	128832	P2B-DLM-204
	2-7/16	128719	P2B-DL-207
	60mm	126609	P2B-DL-60M
214	2-1/2	128834	P2B-DLM-208
	2-11/16	128720	P2B-DL-211
	70mm	126610	P2B-DL-70M
215	2-15/16	056610	P2B-DL-215

FEATURES/BENEFITS PAGE B6-3	HOW TO ORDER/NOMENCLATURE PAGE B6-5	SELECTION/DIMENSIONS PAGE B6-10	ACCESSORIES PAGE B6-62
--------------------------------	--	------------------------------------	---------------------------

SELECTION/DIMENSIONS



D-LOK® Ball Bearings DL NORMAL DUTY PILLOW BLOCKS

Bearing Reference Guide

ULTRA KLEEN

E-Z KLEEN

Extreme Duty

Setscrew Ball Bearing

GRIP TIGHT

D-LOK Ball Bearing

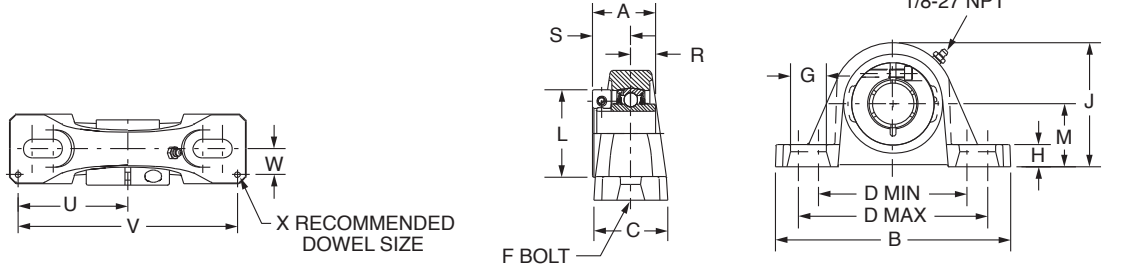
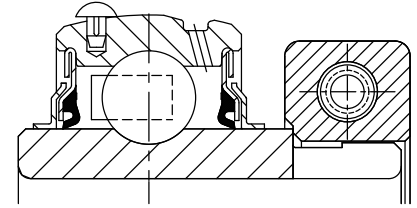
Series	Shaft Size	Weight lbs kg	A	B	C	D		F Bolt Dia.	G	H	J	L	M	R	S	U	V	W	X
						min.	max.												
204	3/4	2.1	1.28	5.25	1.34	3.38	4.19	3/8	0.85	0.53	2.56	1.71	1.31	0.50	0.78	2.25	4.50	0.50	0.12
	20mm	1.0	32.5	133.4	34.0	85.9	106.4	M10	21.6	13.5	65.0	43.4	33.3	12.7	19.8	57.2	114.3	12.7	3.0
205	7/8	2.3	1.44	5.50	1.40	3.69	4.50	3/8	0.85	0.58	2.77	1.99	1.44	0.56	0.88	2.50	5.00	0.50	0.12
	15/16	2.3																	
	1	2.3																	
206 (DLU)	25mm	1.1	36.6	139.7	35.6	93.7	114.3	M10	21.6	14.7	70.4	50.5	36.5	14.2	22.4	63.5	127.0	12.7	3.0
	1-1/8	3.8	1.56	6.25	1.75	4.25	5.00	1/2	0.94	0.75	3.31	2.22	1.69	0.58	0.98	2.88	5.76	0.56	0.12
	1-3/16	3.7																	
207	1-1/4	3.7																	
	1-1/4	3.7																	
	30mm	1.7	39.6	158.8	44.5	108.0	127.0	M12	23.9	19.1	84.1	56.4	42.9	14.7	24.9	73.2	146.3	14.2	3.0
208 (DLB)	1-1/4	4.9	1.75	6.50	1.75	4.68	5.44	1/2	0.94	0.71	3.75	2.69	1.88	0.67	1.08	2.91	5.82	0.56	0.12
	1-3/8	4.9																	
	1-7/16	4.8																	
209	35mm	2.2	44.45	165.10	44.45	118.87	138.18	M12	23.88	18.03	95.25	68.33	47.6	17.02	27.43	73.91	147.83	14.22	3.05
	1-1/2	6.0	2.01	7.25	1.93	5.18	5.88	1/2	0.91	0.75	4.00	2.74	1.94	0.75	1.26	3.26	6.52	0.69	0.12
	40mm	2.7	51.1	184.2	49.0	131.6	149.4	M12	23.1	19.1	101.6	69.6	49.3	19.1	32.0	82.8	165.6	17.5	3.0
210	1-5/8	6.8	2.01	7.44	2.00	5.50	6.19	1/2	0.90	0.75	4.28	2.99	2.13	0.75	1.26	3.38	6.76	0.69	0.12
	1-11/16	6.8																	
	1-3/4	6.7																	
211	45mm	3.1	51.1	189.0	50.8	139.7	157.2	M12	22.9	19.1	108.7	75.9	54.0	19.1	32.0	85.9	171.7	17.5	3.0
	1-15/16	8.5	2.01	8.12	2.25	6.00	6.68	5/8	1.02	0.75	4.53	3.24	2.25	0.75	1.26	3.69	7.38	0.81	0.12
	2	8.4																	
212	50mm	3.9	51.1	206.2	57.2	152.4	169.7	M16	25.9	19.1	115.1	82.3	57.2	19.1	32.0	93.7	187.5	20.6	3.0
	2	12.2	2.25	8.88	2.30	6.38	7.44	5/8	1.21	0.88	4.96	3.69	2.50	0.88	1.37	3.94	7.88	0.81	0.12
	2-3/16	10.3																	
213	55mm	5.6	57.2	225.6	58.4	162.1	189.0	M16	30.7	22.4	126.0	93.7	63.5	22.4	34.8	100.1	200.2	20.6	3.0
	2-1/4	17.5	2.38	9.50	2.37	6.88	7.94	5/8	1.21	0.88	5.40	4.11	2.75	0.90	1.48	4.25	8.50	0.88	0.12
	2-7/16	14.8																	
214	60mm	7.0	60.5	241.3	60.2	174.8	201.7	M16	30.7	22.4	137.2	104.4	69.9	22.9	37.6	108.0	215.9	22.4	3.0
	2-1/2	19.4	2.60	10.75	2.69	7.50	8.50	3/4	1.32	0.94	6.09	4.38	3.00	1.06	1.54	4.88	9.76	0.94	0.12
	2-11/16	19.3																	
215	70mm	8.9	66.0	273.1	68.3	190.5	215.9	M18	33.5	23.9	154.7	111.3	76.2	26.9	39.1	124.0	247.9	23.9	3.0
	2-15/16	24.9	2.40	11.75	2.88	8.50	9.50	7/8	1.44	1.00	6.75	4.69	3.50	0.82	1.58	5.48	10.96	1.04	0.12
			61.0	298.5	73.2	215.9	241.3	M22	36.6	25.4	171.5	119.1	88.9	20.8	40.1	139.2	278.4	26.4	3.0

FEATURES/BENEFITS PAGE B6-3	HOW TO ORDER/NOMENCLATURE PAGE B6-5	SELECTION/DIMENSIONS PAGE B6-10	ACCESSORIES PAGE B6-62
--------------------------------	--	------------------------------------	---------------------------



SELECTION/DIMENSIONS

D-LOK® Ball Bearings DLAH NORMAL DUTY AIR HANDLING PILLOW BLOCKS



Series	Shaft Size	Part No.	Description
204	3/4	128432	P2B-DLAH-012
	20mm	075045	P2B-DLAH-20M
205	7/8	@	P2B-DLAH-014
	15/16	@	P2B-DLAH-015
	1	128435	P2B-DLAH-100
	25mm	073924	P2B-DLAH-25M
206 (DLU)	1-1/8	128436	P2B-DLUAH-102
	1-3/16	128437	P2B-DLUAH-103
	1-1/4	128438	P2B-DLUAH-104S
	30mm	@	P2B-DLUAH-30M
207	1-1/4	065784	P2B-DLAH-104
	1-3/8	128440	P2B-DLAH-106
	1-7/16	128441	P2B-DLAH-107
	35mm	068777	P2B-DLAH-35M
208 (DLB)	1-1/2	074593	P2B-DLBAH-108
	40mm	@	P2B-DLBAH-40M
209	1-5/8	128443	P2B-DLAH-110L
	1-11/16	128444	P2B-DLAH-111
	1-3/4	@	P2B-DLAH-112
	45mm	068537	P2B-DLAH-45M
210	1-15/16	128446	P2B-DLAH-115
	2	064825	P2B-DLAH-200
	50mm	067783	P2B-DLAH-50M
211	2	128481	P2B-DLMAH-200
	2-3/16	128449	P2B-DLAH-203
	55mm	@	P2B-DLAH-55M
212	2-1/4	128483	P2B-DLMAH-204
	2-7/16	128451	P2B-DLAH-207
214	60mm	073926	P2B-DLAH-60M
	2-1/2	128485	P2B-DLMAH-208
	2-11/16	128452	P2B-DLAH-211
215	70mm	@	P2B-DLAH-70M
	2-15/16	062187	P2B-DLAH-215

@ Assembled to order

SELECTION/DIMENSIONS



D-LOK® Ball Bearings DLAH NORMAL DUTY AIR HANDLING PILLOW BLOCKS

Bearing Reference Guide

ULTRA KLEEN

E-Z KLEEN

Extreme Duty

Setscrew Ball Bearing

GRIP TIGHT

D-LOK Ball Bearing

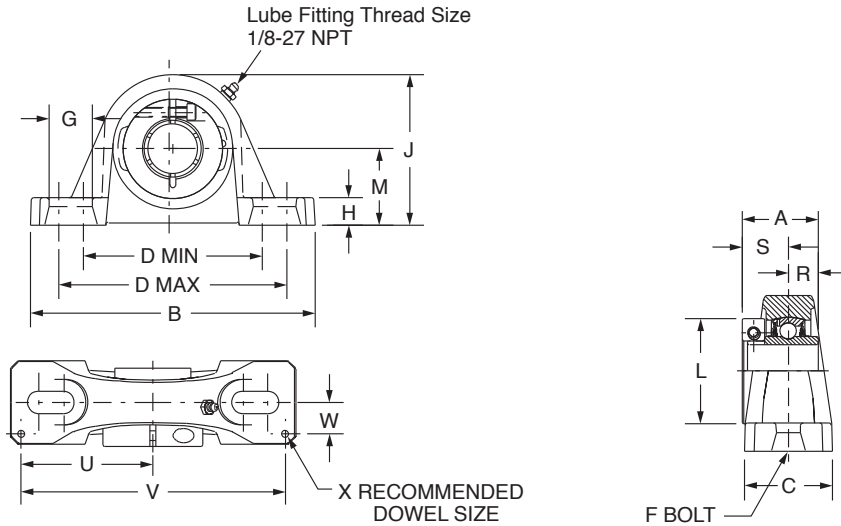
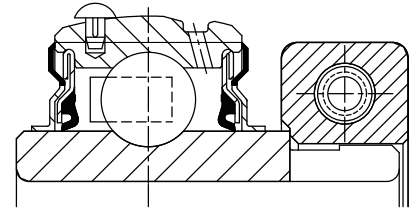
Series	Shaft Size	Weight lbs kg	A	B	C	D		F Bolt Dia.	G	H	J	L	M	R	S	U	V	W	X
						min.	max.												
204	3/4	2.1	1.28	5.25	1.34	3.38	4.19	3/8	0.85	0.53	2.56	1.71	1.31	0.50	0.78	2.25	4.50	0.50	0.12
	20mm	1.0	32.5	133.4	34.0	85.9	106.4	M10	21.6	13.5	65.0	43.4	33.3	12.7	19.8	57.2	114.3	12.7	3.0
205	7/8	2.3	1.44	5.50	1.40	3.69	4.50	3/8	0.85	0.58	2.77	1.99	1.44	0.56	0.88	2.50	5.00	0.50	0.12
	15/16	2.3																	
	1	2.3																	
206 (DLU)	25mm	1.1	36.6	139.7	35.6	93.7	114.3	M10	21.6	14.7	70.4	50.5	36.5	14.2	22.4	63.5	127.0	12.7	3.0
	1-1/8	3.8	1.56	6.25	1.75	4.25	5.00	1/2	0.94	0.75	3.31	2.22	1.69	0.58	0.98	2.88	5.76	0.56	0.12
	1-3/16	3.7																	
207	1-1/4	3.7																	
	1-1/4	3.7																	
	30mm	1.7	39.6	158.8	44.5	108.0	127.0	M12	23.9	19.1	84.1	56.4	42.9	14.7	24.9	73.2	146.3	14.2	3.0
208 (DLB)	1-1/4	4.9	1.75	6.50	1.75	4.68	5.44	1/2	0.94	0.71	3.75	2.69	1.88	0.67	1.08	2.91	5.82	0.56	0.12
	1-3/8	4.9																	
	1-7/16	4.8																	
209	35mm	2.2	44.5	165.1	44.5	118.9	138.2	M12	23.9	18.0	95.3	68.3	47.6	17.0	27.4	73.9	147.8	14.2	3.0
	1-1/2	6.0	2.01	7.25	1.93	5.18	5.88	1/2	0.91	0.75	4.00	2.74	1.94	0.75	1.26	3.26	6.52	0.69	0.12
	40mm	2.7	51.1	184.2	49.0	131.6	149.4	M12	23.1	19.1	101.6	69.6	49.3	19.1	32.0	82.8	165.6	17.5	3.0
210	1-5/8	6.8	2.01	7.44	2.00	5.50	6.19	1/2	0.90	0.75	4.28	2.99	2.13	0.75	1.26	3.38	6.76	0.69	0.12
	1-11/16	6.8																	
	1-3/4	6.7																	
211	45mm	3.1	51.1	189.0	50.8	139.7	157.2	M12	22.9	19.1	108.7	75.9	54.0	19.1	32.0	85.9	171.7	17.5	3.0
	1-15/16	8.5	2.01	8.12	2.25	6.00	6.68	5/8	1.02	0.75	4.53	3.24	2.25	0.75	1.26	3.69	7.38	0.81	0.12
	2	8.4																	
212	50mm	3.9	51.1	206.2	57.2	152.4	169.7	M16	25.9	19.1	115.1	82.3	57.2	19.1	32.0	93.7	187.5	20.6	3.0
	2	12.2	2.25	8.88	2.30	6.38	7.44	5/8	1.21	0.88	4.96	3.69	2.50	0.88	1.37	3.94	7.88	0.81	0.12
	2-3/16	10.3																	
213	55mm	5.6	57.2	225.6	58.4	162.1	189.0	M16	30.7	22.4	126.0	93.7	63.5	22.4	34.8	100.1	200.2	20.6	3.0
	2-1/4	17.5	2.38	9.50	2.37	6.88	7.94	5/8	1.21	0.88	5.40	4.11	2.75	0.90	1.48	4.25	8.50	0.88	0.12
	2-7/16	14.8																	
214	60mm	7.0	60.5	241.3	60.2	174.8	201.7	M16	30.7	22.4	137.2	104.4	69.9	22.9	37.6	108.0	215.9	22.4	3.0
	2-1/2	19.4	2.60	10.75	2.69	7.50	8.50	3/4	1.32	0.94	6.09	4.38	3.00	1.06	1.54	4.88	9.76	0.94	0.12
	2-11/16	19.3																	
215	70mm	8.9	66.0	273.1	68.3	190.5	215.9	M18	33.5	23.9	154.7	111.3	76.2	26.9	39.1	124.0	247.9	23.9	3.0
	2-15/16	24.9	2.40	11.75	2.88	8.50	9.50	7/8	1.44	1.00	6.75	4.69	3.50	0.82	1.58	5.48	10.96	1.04	0.12
			61.0	298.5	73.2	215.9	241.3	M22	36.6	25.4	171.5	119.1	88.9	20.8	40.1	139.2	278.4	26.4	3.0

FEATURES/BENEFITS PAGE B6-3	HOW TO ORDER/NOMENCLATURE PAGE B6-5	SELECTION/DIMENSIONS PAGE B6-10	ACCESSORIES PAGE B6-62
--------------------------------	--	------------------------------------	---------------------------

SELECTION/DIMENSIONS



D-LOK® Ball Bearings DLB NORMAL DUTY PILLOW BLOCKS



Series	Shaft Size	Part No.	Description
204	3/4	128721	P2B-DLB-012
	20mm	@	P2B-DLB-20M
205	7/8	128722	P2B-DLB-014
	15/16	128723	P2B-DLB-015
	1	128724	P2B-DLB-100
	25mm	062143	P2B-DLB-25M
206	1-1/8	128725	P2B-DLB-102
	1-3/16	128726	P2B-DLB-103
	1-1/4	128727	P2B-DLB-104S
207	30mm	@	P2B-DLB-30M
	1-1/4	128728	P2B-DLB-104
	1-3/8	128729	P2B-DLB-106
	1-7/16	128730	P2B-DLB-107
208	35mm	@	P2B-DLB-35M
	1-1/2	128710	P2B-DLB-108
209	40mm	126605	P2B-DLB-40M
	1-5/8	128731	P2B-DLB-110L
	1-11/16	128732	P2B-DLB-111
	1-3/4	128733	P2B-DLB-112
210	45mm	@	P2B-DLB-45M
	1-15/16	128734	P2B-DLB-115
	2	128735	P2B-DLB-200
211	50mm	@	P2B-DLB-50M
	2	128736	P2B-DLB-200L
212	2-3/16	128738	P2B-DLB-203
	55mm	@	P2B-DLB-55M
	2-1/4	128739	P2B-DLB-204L
212	2-7/16	128741	P2B-DLB-207
	60mm	@	P2B-DLB-60M

@ Assemble to order

SELECTION/DIMENSIONS



Bearing Reference Guide

ULTRA KLEEN

E-Z KLEEN

Extreme Duty

Setscrew Ball Bearing

GRIP TIGHT

D-LOK Ball Bearing

D-LOK® Ball Bearings DLB NORMAL DUTY PILLOW BLOCKS

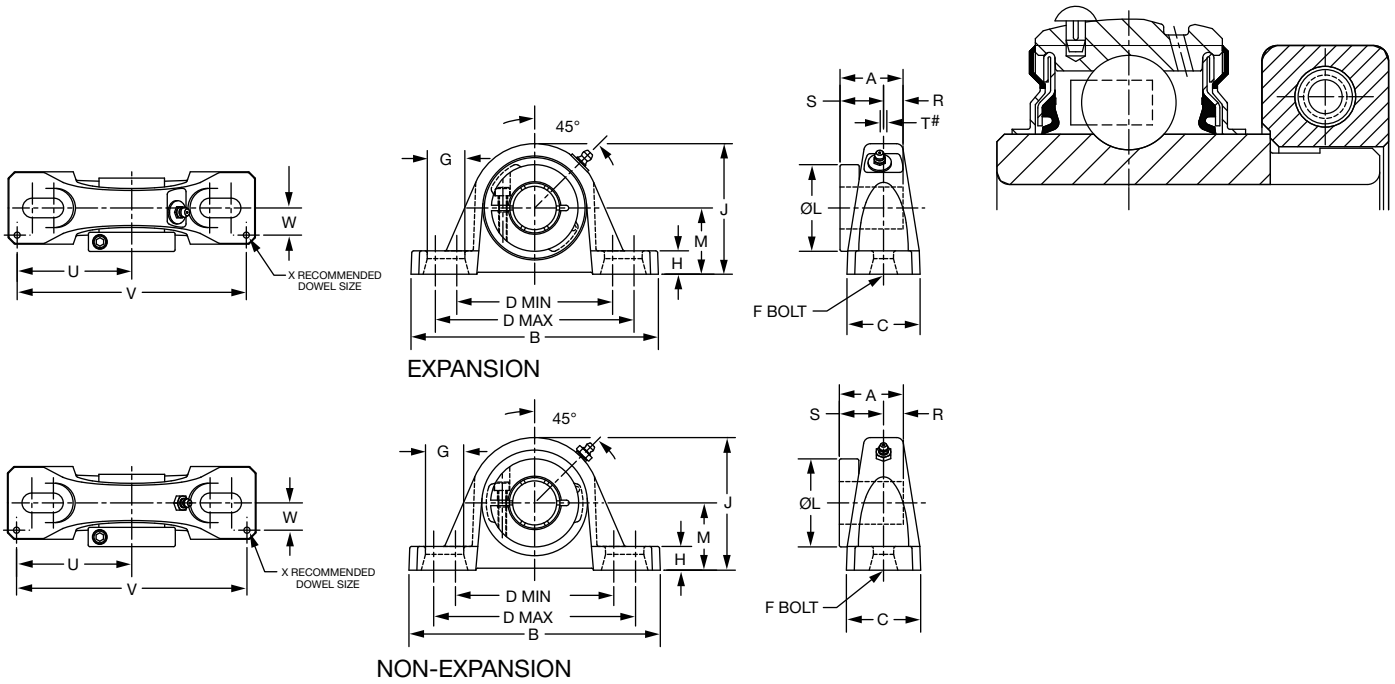
Series	Shaft Size	Weight lbs kg	A	B	C	D		F Bolt Dia.	G	H	J	L	M	R	S	U	V	W	X	
						min.	max.													
204	3/4	2.1	1.28	5.25	1.34	3.38	4.19	3/8	0.85	0.47	2.49	1.71	1.25	0.50	0.78	2.25	4.50	0.50	0.12	
	20mm	1.0	32.5	133.4	34.0	85.9	106.4	M10	21.6	11.9	63.2	43.4	31.8	12.7	19.8	57.2	114.3	12.7	3.0	
205	7/8	2.3	1.44	5.50	1.40	3.69	4.50	3/8	0.85	0.45	2.64	1.99	1.31	0.56	0.88	2.50	5.00	0.50	0.12	
	15/16	2.3																		
	1	2.3																		
	25mm	1.1	36.6	139.7	35.6	93.7	114.3	M10	21.6	11.4	67.1	50.5	33.3	14.2	22.4	63.5	127.0	12.7	3.0	
206	1-1/8	3.8	1.56	6.25	1.75	4.25	5.00	1/2	0.94	0.62	3.19	2.22	1.56	0.58	0.98	2.88	5.76	0.56	0.12	
	1-3/16	3.7																		
	1-1/4	3.7																		
	30mm	1.7	39.6	158.8	44.5	108.0	127.0	M12	23.9	15.8	81.0	56.4	39.6	14.7	24.9	73.2	146.3	14.2	3.0	
207	1-1/4	4.9	1.75	6.50	1.75	4.68	5.44	1/2	0.94	0.65	3.69	2.69	1.81	0.67	1.08	2.91	5.82	0.56	0.12	
	1-3/8	4.9																		
	1-7/16	4.8																		
	35mm	2.2	44.5	165.1	44.5	118.9	138.2	M12	23.9	16.5	93.7	68.3	46.0	17.0	27.4	73.9	147.8	14.2	3.0	
208	1-1/2	6.0	2.01	7.25	1.93	5.18	5.88	1/2	0.91	0.75	4.00	2.74	1.94	0.75	1.26	3.26	6.52	0.69	0.12	
	40mm	2.7	51.1	184.2	49.0	131.6	149.4	M12	23.1	19.1	101.6	69.6	49.3	19.1	32.0	82.8	165.6	17.5	3.0	
209	1-5/8	6.8	2.01	7.44	2.00	5.50	6.19	1/2	0.90	0.69	4.21	2.99	2.06	0.75	1.26	3.38	6.76	0.69	0.12	
	1-11/16	6.8																		
	1-3/4	6.7																		
	45mm	3.1	51.1	189.0	50.8	139.7	157.2	M12	22.9	17.5	106.9	75.9	52.3	19.1	32.0	85.9	171.7	17.5	3.0	
210	1-15/16	8.5	2.01	8.12	2.25	6.00	6.68	5/8	1.02	0.68	4.47	3.24	2.19	0.75	1.26	3.69	7.38	0.81	0.12	
	2	8.4																		
	50mm	3.9	51.1	206.2	57.2	152.4	169.7	M16	25.9	17.3	113.5	82.3	55.6	19.1	32.0	93.7	187.5	20.6	3.0	
211	2	12.2	2.25	8.88	2.30	6.38	7.44	5/8	1.21	0.81	4.90	3.69	2.44	0.88	1.37	3.94	7.88	0.81	0.12	
	2-3/16	10.3																		
	55mm	5.6	57.2	225.6	58.4	162.1	189.0	M16	30.7	20.6	124.5	93.7	62.0	22.4	34.8	100.1	200.2	20.6	3.0	
212	2-1/4	17.5	2.38	9.50	2.37	6.88	7.94	5/8	1.21	0.81	5.34	4.11	2.69	0.90	1.48	4.25	8.50	0.88	0.12	
	2-7/16	14.8																		
	60mm	7.0	60.5	241.3	60.2	174.8	201.7	M16	30.7	20.6	135.6	104.4	68.3	22.9	37.6	108.0	215.9	22.4	3.0	

FEATURES/BENEFITS PAGE B6-3	HOW TO ORDER/NOMENCLATURE PAGE B6-5	SELECTION/DIMENSIONS PAGE B6-10	ACCESSORIES PAGE B6-62
--------------------------------	--	------------------------------------	---------------------------

SELECTION/DIMENSIONS



D-LOK® Ball Bearings DLH-E EXPANSION AND DLH NON-EXPANSION NORMAL DUTY PILLOW BLOCKS



Series	Shaft Size	Expansion		Non-Expansion	
		Part No.	Description	Part No.	Description
205	1	076714	P2B-DLH-100-E	@	P2B-DLM-100
	25mm	075048	P2B-DLH-25M-E	----	-----
206	1-1/8	@	P2B-DLH-102-E	----	-----
	1-3/16	126450	P2B-DLH-103-E	128824	P2B-DLM-103
	1-1/4	@	P2B-DLH-104S-E	128707	P2B-DL-104
	30mm	075049	P2B-DLH-30M-E	----	-----
207	1-1/4	@	P2B-DLH-104-E	----	-----
	1-3/8	066214	P2B-DLH-106-E	----	-----
	1-7/16	126451	P2B-DLH-107-E	128825	P2B-DLM-107
	35mm	054455	P2B-DLH-35M-E	126639	P2B-DLM-35M
209	1-5/8	@	P2B-DLH-110L-E	----	-----
	1-11/16	059882	P2B-DLH-111-E	068373	P2B-DLMB-111
	1-3/4	@	P2B-DLH-112-E	----	P2B-DLM-112
210	45mm	075051	P2B-DLH-45M-E	----	-----
	1-15/16	126452	P2B-DLH-115-E	128829	P2B-DLM-115
	2	056676	P2B-DLH-200-E	128830	P2B-DLM-200
211	50mm	068061	P2B-DLH-50M-E	058997	P2B-DLM-50M
	2-3/16	126453	P2B-DLH-203-E	128831	P2B-DLM-203
	55mm	075052	P2B-DLH-55M-E	----	-----
212	2-7/16	126454	P2B-DLH-207-E	128833	P2B-DLM-207
	60mm	@	P2B-DLH-60M-E	----	-----

@ Assembled to order

FEATURES/BENEFITS PAGE B6-3	HOW TO ORDER/NOMENCLATURE PAGE B6-5	SELECTION/DIMENSIONS PAGE B6-10	ACCESSORIES PAGE B6-62
--------------------------------	--	------------------------------------	---------------------------

SELECTION/DIMENSIONS



D-LOK® Ball Bearings

DLH-E EXPANSION AND DLH NON-EXPANSION NORMAL DUTY PILLOW BLOCKS

Bearing Reference Guide

ULTRA KLEEN

E-Z KLEEN

Extreme Duty

Setscrew Ball Bearing

GRIP TIGHT

D-LOK Ball Bearing

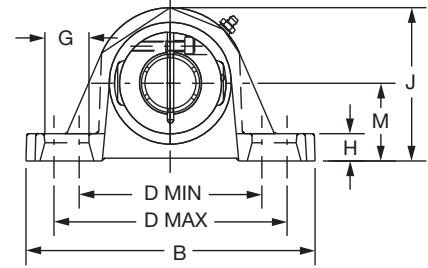
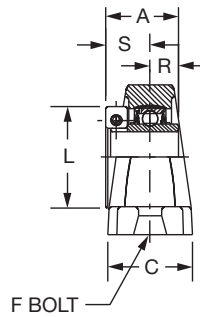
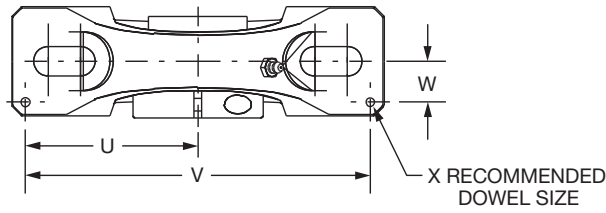
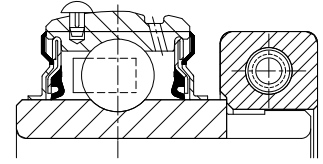
Series	Shaft Size	Weight lbs kg	A	B	C	D		F Bolt Dia.	G	H	J	L	M	R	S	T Total Expansion	U	V	W	X
						min.	max.													
205	1	3.5	1.44	6.25	1.75	4.25	5.00	1/2	0.94	0.75	3.31	1.99	1.69	0.56	0.88	0.16	2.88	5.76	0.56	0.12
	25mm	1.6	36.6	158.8	44.5	108.0	127.0	M12	23.9	19.1	84.1	50.5	42.9	14.2	22.4	4.1	73.2	146.3	14.2	3.0
206	1-1/8	5.0	1.56	6.50	1.75	4.68	5.44	1/2	0.94	0.71	3.75	2.22	1.88	0.58	0.98	0.16	2.91	5.82	0.56	0.12
	1-3/16	5.0																		
	1-1/4	5.0																		
	30mm	1.5	39.6	165.1	44.5	118.9	138.2	M12	23.9	18.0	95.3	56.4	47.8	14.7	24.9	4.1	73.9	147.8	14.2	3.0
207	1-1/4		1.75	7.25	1.93	5.18	5.88	1/2	0.91	0.93	4.19	2.69	2.13	0.67	1.08	0.16	3.26	6.52	0.69	0.12
	1-3/8	6.9																		
	1-7/16	6.9																		
	35mm	2.1	44.5	184.2	49.0	131.6	149.4	M12	23.1	23.6	106.4	68.3	54.1	17.0	27.4	4.1	82.8	165.6	17.5	3.0
209	1-5/8	9.2	2.01	8.12	2.25	6.00	6.68	5/8	1.02	0.75	4.53	2.99	2.25	0.75	1.26	0.25	3.69	7.38	0.81	0.12
	1-11/16	9.2																		
	1-3/4	9.2																		
	45mm	2.8	51.1	206.2	57.2	152.4	169.7	M16	25.9	19.1	115.1	75.9	57.2	19.1	32.0	6.4	93.7	187.5	20.6	3.0
210	1-15/16	10.8	2.01	8.88	2.30	6.38	7.44	5/8	1.21	0.88	4.96	3.24	2.50	0.75	1.26	0.22	3.94	7.88	0.81	0.12
	2	10.8																		
211	50mm	3.3	51.1	225.6	58.4	162.1	189.0	M16	30.7	22.4	126.0	82.3	63.5	19.1	32.0	5.6	100.1	200.2	20.6	3.0
	2-3/16	15.7	2.25	9.50	2.37	6.88	7.94	5/8	1.21	0.88	5.40	3.69	2.75	0.88	1.37	0.22	4.25	8.50	0.88	0.12
212	55mm	4.8	57.2	241.3	60.2	174.8	201.7	M16	30.7	22.4	137.2	93.7	69.9	22.4	34.8	5.6	108.0	215.9	22.4	3.0
	2-7/16	20.1	2.38	10.75	2.69	7.50	8.50	3/4	1.32	0.94	6.09	4.11	3.00	0.90	1.48	0.22	4.88	9.76	0.94	0.12
	60mm	6.1	60.5	273.1	68.3	190.5	215.9	M18	33.5	23.8	154.7	104.4	76.2	22.9	37.6	5.6	124.0	247.9	23.9	3.0

FEATURES/BENEFITS PAGE B6-3	HOW TO ORDER/NOMENCLATURE PAGE B6-5	SELECTION/DIMENSIONS PAGE B6-10	ACCESSORIES PAGE B6-62
--------------------------------	--	------------------------------------	---------------------------



SELECTION/DIMENSIONS

D-LOK® Ball Bearings DLM MEDIUM DUTY PILLOW BLOCKS



Series	Shaft Size	Part No.	Description
206 (DLMU)	1	128823	P2B-DLMU-100
207	1-3/16	128824	P2B-DLM-103
	1-1/4	128707	P2B-DL-104
208	1-7/16	128825	P2B-DLM-107
	35mm	126639	P2B-DLM-35M
209	1-1/2	128826	P2B-DLM-108
	1-5/8	128711	P2B-DL-110L
210	1-11/16	128827	P2B-DLM-111
	1-3/4	128828	P2B-DLM-112
210 (DLMB)	1-11/16	068373	P2B-DLMB-111
211	1-15/16	128829	P2B-DLM-115
	2	128830	P2B-DLM-200
	50mm	058997	P2B-DLM-50M
212	2-3/16	128831	P2B-DLM-203
	2-1/4	128832	P2B-DLM-204
214	2-7/16	128833	P2B-DLM-207
	2-1/2	128834	P2B-DLM-208
	65mm	126640	P2B-DLM-65M
215	2-11/16	128696	P2B-DLM-211
216	2-15/16	128697	P2B-DLM-215
218	3-7/16	128698	P2B-DLM-307

SELECTION/DIMENSIONS



D-LOK® Ball Bearings DLM MEDIUM DUTY PILLOW BLOCKS

Bearing Reference Guide

ULTRA KLEEN

E-Z KLEEN

Extreme Duty

Setscrew Ball Bearing

GRIP TIGHT

D-LOK Ball Bearing

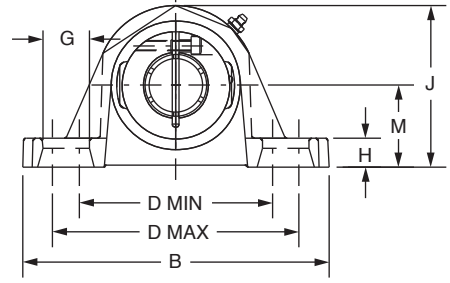
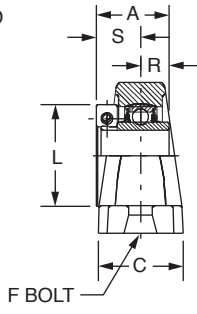
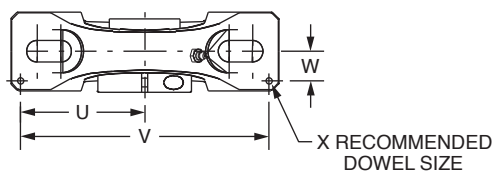
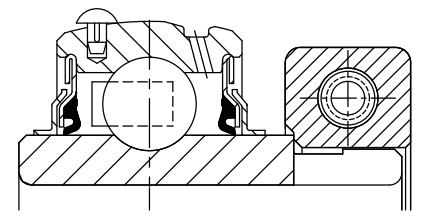
Series	Shaft Size	Weight lbs kg	A	B	C	D		F Bolt Dia.	G	H	J	L	M	R	S	U	V	W	X
						min.	max.												
206	1	4.2	1.56 39.6	6.25 158.8	1.75 44.5	4.25 108.0	5.00 127.0	1/2 M12	0.94 23.9	0.75 19.1	3.31 84.1	2.22 56.4	1.69 42.9	0.58 14.7	0.98 24.9	2.88 73.2	5.76 146.3	0.56 14.2	0.12 3.0
207	1-3/16 1-1/4	5.6 4.9	1.75 44.5	6.50 165.1	1.75 44.5	4.68 118.9	5.44 138.2	1/2 M12	0.94 23.9	0.71 18.0	3.75 95.3	2.69 68.3	1.88 47.6	0.67 17.0	1.08 27.4	2.91 73.9	5.82 147.8	0.56 14.2	0.12 3.0
208	1-7/16 35mm	7.2 3.2	2.01 51.1	7.25 184.2	1.93 49.0	5.18 131.6	5.88 149.4	1/2 M12	0.91 23.1	0.93 23.6	4.19 106.4	2.74 69.6	2.13 54.0	0.75 19.1	1.26 32.0	3.26 82.8	6.52 165.6	0.69 17.5	0.12 3.0
209	1-1/2 1-5/8	9.2 6.8	2.01 51.1	7.50 190.5	2.13 54.1	5.44 138.2	6.06 153.9	1/2 M12	0.88 22.4	0.88 22.4	4.44 112.8	2.99 75.9	2.13 54.0	0.75 19.1	1.26 32.0	3.38 85.9	6.75 171.5	0.69 17.5	0.19 4.8
210	1-11/16 1-3/4	10.1 10.1	2.01 51.1	8.13 206.5	2.25 57.2	6.00 152.4	6.68 169.7	5/8 M16	1.08 27.4	0.81 20.6	4.60 116.8	3.24 82.3	2.31 58.7	0.75 19.1	1.26 32.0	3.69 93.7	7.38 187.5	0.81 20.6	0.12 3.0
210 (DLMB)	1-11/16	12.3	2.01 51.1	8.12 206.2	2.24 56.9	6.00 152.4	6.68 169.7	5/8 M16	1.02 25.9	0.75 19.1	4.53 115.1	3.24 82.3	2.25 57.2	0.75 19.1	1.26 32.0	3.69 93.7	7.38 187.5	0.81 20.6	0.12 3.0
211	1-15/16 2 50mm	12.2 5.5	2.25 57.2	8.88 225.6	2.30 58.4	6.38 162.1	7.44 189.0	5/8 M16	1.21 30.7	0.88 22.4	4.96 126.0	3.69 93.7	2.50 63.5	0.88 22.4	1.37 34.8	3.94 100.1	7.88 200.2	0.81 20.6	0.12 3.0
212	2-3/16 2-1/4	17.5 17.5	2.38 60.5	9.50 241.3	2.37 60.2	6.88 174.8	7.94 201.7	5/8 M16	1.21 30.7	0.88 22.4	5.40 137.2	4.11 104.4	2.75 69.9	0.90 22.9	1.48 37.6	4.25 108.0	8.50 215.9	0.88 22.4	0.12 3.0
214	2-7/16 2-1/2 65mm	19.4 19.4 6.9	2.60 66.0	10.75 273.1	2.69 68.3	7.50 190.5	8.50 215.9	3/4 M18	1.32 33.5	0.94 23.9	6.09 154.7	4.38 111.3	3.00 76.2	1.06 26.9	1.54 39.1	4.88 124.0	9.76 247.9	0.94 23.9	0.12 3.0
215	2-11/16	24.9	2.40 61.0	11.75 298.5	2.88 73.2	8.50 215.9	9.50 241.3	7/8 M22	1.44 36.6	1.00 25.4	6.75 171.5	4.69 119.1	3.50 88.9	0.82 20.8	1.58 40.1	5.48 139.2	10.96 278.4	1.04 26.4	0.12 3.0
216	2-15/16	25.4	2.62 66.5	11.75 298.5	3.00 76.2	8.50 215.9	9.50 241.3	7/8 M22	1.44 36.6	1.25 31.8	6.97 177.0	4.99 126.7	3.50 88.9	0.88 22.4	1.74 44.2	5.50 139.7	11.00 279.4	1.09 27.7	0.12 3.0
218	3-7/16	34.9	2.72 69.1	14.00 355.6	3.38 85.9	10.32 262.1	11.62 295.1	7/8 M22	1.59 40.4	1.31 33.3	8.00 203.2	5.49 139.4	4.00 101.6	0.92 23.4	1.80 45.7	6.60 167.6	13.20 335.3	1.19 30.2	0.12 3.0

FEATURES/BENEFITS PAGE B6-3	HOW TO ORDER/NOMENCLATURE PAGE B6-5	SELECTION/DIMENSIONS PAGE B6-10	ACCESSORIES PAGE B6-62
--------------------------------	--	------------------------------------	---------------------------

SELECTION/DIMENSIONS



D-LOK® Ball Bearings DLMAH MEDIUM DUTY AIR HANDLING PILLOW BLOCKS



Series	Shaft Size	Part No.	Description
206	1	128474	P2B-DLMAH-100
207	1-3/16	128475	P2B-DLMAH-103
	1-1/4	065784	P2B-DLAH-104
208	1-7/16	128476	P2B-DLMAH-107
209	1-1/2	128477	P2B-DLMAH-108
	1-5/8	@	P2B-DLAH-110L
210	1-11/16	128478	P2B-DLMAH-111
	1-3/4	128479	P2B-DLMAH-112
211	1-15/16	128480	P2B-DLMAH-115
	2	128481	P2B-DLMAH-200
212	2-3/16	128482	P2B-DLMAH-203
	2-1/4	128483	P2B-DLMAH-204
214	2-7/16	128484	P2B-DLMAH-207
	2-1/2	128485	P2B-DLMAH-208
215	2-11/16	128488	P2B-DLMAH-211
216	2-15/16	128489	P2B-DLMAH-215
218	3-7/16	128490	P2B-DLMAH-307

@ Assembled to order

FEATURES/BENEFITS PAGE B6-3	HOW TO ORDER/NOMENCLATURE PAGE B6-5	SELECTION/DIMENSIONS PAGE B6-10	ACCESSORIES PAGE B6-62
--------------------------------	--	------------------------------------	---------------------------

SELECTION/DIMENSIONS



D-LOK® Ball Bearings DLMAH MEDIUM DUTY AIR HANDLING PILLOW BLOCKS

Bearing Reference Guide

ULTRA KLEEN

E-Z KLEEN

Extreme Duty

Setscrew Ball Bearing

GRIP TIGHT

D-LOK Ball Bearing

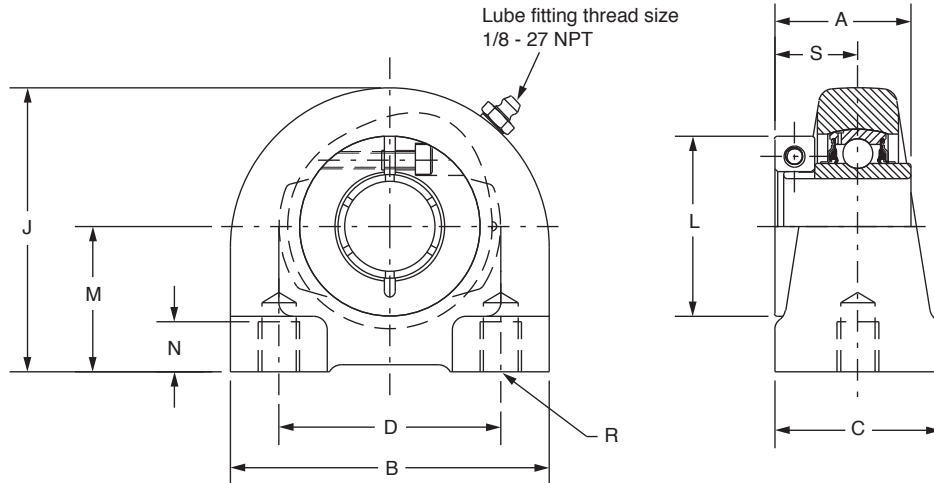
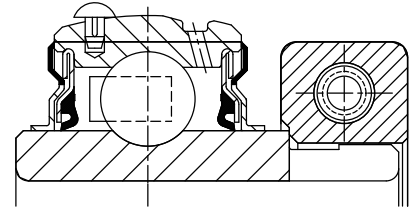
Series	Shaft Size	Weight lbs	A	B	C	D		F Bolt Dia.	G	H	J	L	M	R	S	U	V	W	X
						min.	max.												
206	1	4.2	1.56	6.25	1.75	4.25	5.00	1/2	0.94	0.75	3.31	2.22	1.75	0.58	0.98	2.88	5.76	0.56	0.12
			39.6	158.8	44.5	108.0	127.0	M12	23.9	19.1	84.1	56.4	44.45	14.7	24.9	73.2	146.3	14.2	3.0
207	1-3/16	5.6	1.75	6.50	1.75	4.68	5.44	1/2	0.94	0.71	3.75	2.69	1.88	0.67	1.08	2.91	5.82	0.56	0.12
	1-1/4	4.9	44.5	165.1	44.5	118.9	138.2	M12	23.9	18.0	95.3	68.3	47.6	17.0	27.4	73.9	147.8	14.2	3.0
208	1-7/16	7.2	2.01	7.25	1.93	5.18	5.88	1/2	0.91	0.93	4.19	2.74	2.13	0.75	1.26	3.26	6.52	0.69	0.12
			51.1	184.2	49.0	131.6	149.4	M12	23.1	23.6	106.4	69.6	54.0	19.1	32.0	82.8	165.6	17.5	3.0
209	1-1/2	9.2	2.01	7.50	2.13	5.44	6.06	1/2	0.88	0.88	4.44	2.99	2.13	0.75	1.26	3.38	6.75	0.69	0.19
	1-5/8	6.8	51.1	190.5	54.1	138.2	153.9	M12	22.4	22.4	112.8	75.9	54.0	19.1	32.0	85.9	171.5	17.5	4.8
210	1-11/16	10.1	2.01	8.13	2.25	6.00	6.68	5/8	1.08	0.81	4.60	3.24	2.31	0.75	1.26	3.69	7.38	0.81	0.12
	1-3/4	10.1	51.1	206.5	57.2	152.4	169.7	M16	27.4	20.6	116.8	82.3	58.7	19.1	32.0	93.7	187.5	20.6	3.0
211	1-15/16	12.3	2.25	8.88	2.30	6.38	7.44	5/8	1.21	0.88	4.96	3.69	2.50	0.88	1.37	3.94	7.88	0.81	0.12
	2	12.2	57.2	225.6	58.4	162.1	189.0	M16	30.7	22.4	126.0	93.7	63.5	22.4	34.8	100.1	200.2	20.6	3.0
212	2-3/16	17.5	2.38	9.50	2.37	6.88	7.94	5/8	1.21	0.88	5.40	4.11	2.75	0.90	1.48	4.25	8.50	0.88	0.12
	2-1/4	17.5	60.5	241.3	60.2	174.8	201.7	M16	30.7	22.4	137.2	104.4	69.9	22.9	37.6	108.0	215.9	22.4	3.0
214	2-7/16	19.4	2.60	10.75	2.69	7.50	8.50	3/4	1.32	0.94	6.09	4.38	3.00	1.06	1.54	4.88	9.76	0.94	0.12
	2-1/2	19.4	66.0	273.1	68.3	190.5	215.9	M18	33.5	23.9	154.7	111.3	76.2	26.9	39.1	124.0	247.9	23.9	3.0
215	2-11/16	24.9	2.40	11.75	2.88	8.50	9.50	7/8	1.44	1.00	6.75	4.69	3.50	0.82	1.58	5.48	10.96	1.04	0.12
			61.0	298.5	73.2	215.9	241.3	M22	36.6	25.4	171.5	119.1	88.9	20.8	40.1	139.2	278.4	26.4	3.0
216	2-15/16	25.4	2.62	11.75	3.00	8.50	9.50	7/8	1.44	1.25	6.97	4.99	3.50	0.88	1.74	5.50	11.00	1.09	0.12
			66.5	298.5	76.2	215.9	241.3	M22	36.6	31.8	177.0	126.7	88.9	22.4	44.2	139.7	279.4	27.7	3.0
218	3-7/16	34.9	2.72	14.00	3.38	10.32	11.62	7/8	1.59	1.31	8.00	5.49	4.00	0.92	1.80	6.60	13.20	1.19	0.12
			69.1	355.6	85.9	262.1	295.1	M22	40.4	33.3	203.2	139.4	101.6	23.4	45.7	167.6	335.3	30.2	3.0

FEATURES/BENEFITS PAGE B6-3	HOW TO ORDER/NOMENCLATURE PAGE B6-5	SELECTION/DIMENSIONS PAGE B6-10	ACCESSORIES PAGE B6-62
--------------------------------	--	------------------------------------	---------------------------

SELECTION/DIMENSIONS



D-LOK® Ball Bearings DL NORMAL DUTY TAPPED BASE PILLOW BLOCKS



Series	Shaft Size	Part No.	Description
204	3/4	128742	TB-DL-012
	20mm	073914	TB-DL-20M
205	7/8	053011	TB-DL-014
	15/16	128743	TB-DL-015
	1	128744	TB-DL-100
	25mm	076548	TB-DL-25M
206	1-1/8	128745	TB-DL-102
	1-3/16	128746	TB-DL-103
	1-1/4	128747	TB-DL-104S
	30mm	073848	TB-DL-30M
207	1-1/4	128748	TB-DL-104
	1-3/8	128749	TB-DL-106
	1-7/16	128750	TB-DL-107
	35mm	@	TB-DL-35M
208	1-1/2	128751	TB-DL-108
	40mm	073304	TB-DL-40M
209	1-5/8	128752	TB-DL-110L
	1-11/16	128753	TB-DL-111
	1-3/4	128754	TB-DL-112
	45mm	@	TB-DL-45M
210	1-15/16	128755	TB-DL-115
	2	128756	TB-DL-200
	50mm	073479	TB-DL-50M

@ Assembled to order

FEATURES/BENEFITS PAGE B6-3	HOW TO ORDER/NOMENCLATURE PAGE B6-5	SELECTION/DIMENSIONS PAGE B6-10	ACCESSORIES PAGE B6-62
--------------------------------	--	------------------------------------	---------------------------

SELECTION/DIMENSIONS



D-LOK® Ball Bearings DL NORMAL DUTY TAPPED BASE PILLOW BLOCKS

Bearing Reference Guide

ULTRA KLEEN

E-Z KLEEN

Extreme Duty

Setscrew Ball Bearing

GRIP TIGHT

D-LOK Ball Bearing

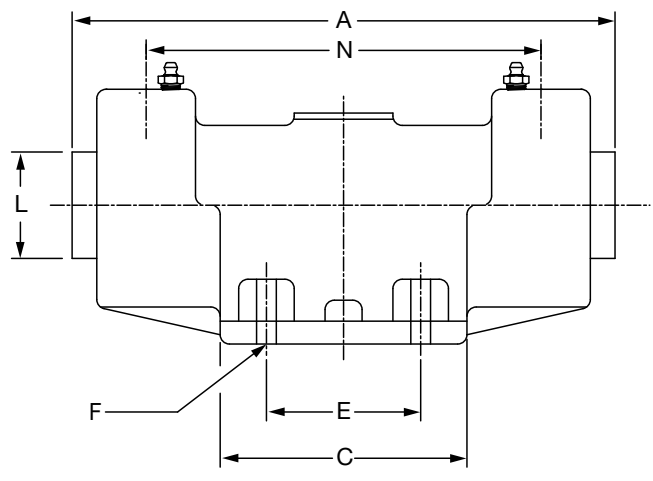
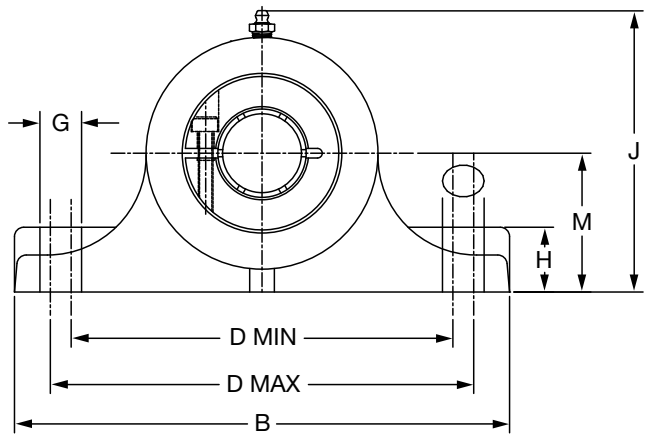
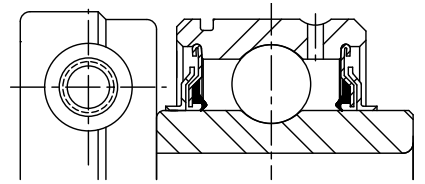
Series	Shaft Size	Weight lbs kg	A	B	C	D	J	L	M	N Min. Tap Depth	R Bolt Hole UNC-Thread	S
204	3/4	1.9	1.28	2.88	1.50	2.00	2.56	1.71	1.31	0.50	3/8-16	0.78
	20mm	0.9	32.5	73.2	38.1	50.8	65.0	43.4	33.4	12.7	M8x1.25	19.8
205	7/8	2.1	1.44	3.00	1.50	2.00	2.81	1.99	1.44	0.50	3/8-16	0.88
	15/16	2.0										
	1 25mm	1.9 1.0	36.6	76.2	38.1	50.8	71.4	50.5	36.5	12.7	M10x1.5	22.4
206	1-1/8	3.6	1.56	4.00	1.50	3.00	3.38	2.22	1.69	0.63	7/16-14	0.98
	1-3/16	3.5										
	1-1/4 30mm	3.5 1.7	39.6	101.6	38.1	76.2	85.9	56.4	42.9	16.0	M10x1.5	24.9
207	1-1/4	4.7	1.75	4.25	1.88	3.25	3.75	2.69	1.88	0.75	1/2-13	1.08
	1-3/8	4.7										
	1-7/16 35mm	4.6 2.2	44.5	108.0	47.8	82.6	95.3	68.3	47.6	19.1	M10x1.5	27.4
208	1-1/2	6.2	2.01	4.63	1.88	3.50	3.94	2.74	1.94	0.75	1/2-13	1.26
	40mm	2.8	51.1	117.6	47.8	88.9	100.1	69.6	49.2	19.1	M12x1.75	32.0
209	1-5/8	6.7	2.01	5.00	2.00	3.75	4.25	2.99	2.13	0.75	1/2-13	1.26
	1-11/16	6.7										
	1-3/4 45mm	6.6 3.1	51.1	127.0	50.8	95.3	108.0	75.9	54.0	19.1	M12x1.75	32.0
210	1-15/16	8.6	2.01	5.50	2.00	4.00	4.63	3.24	2.25	0.88	5/8-11	1.26
	2 50mm	8.5 3.9	51.1	139.7	50.8	101.6	117.6	82.3	57.2	22.4	M16x2	32.0

FEATURES/BENEFITS PAGE B6-3	HOW TO ORDER/NOMENCLATURE PAGE B6-5	SELECTION/DIMENSIONS PAGE B6-10	ACCESSORIES PAGE B6-62
--------------------------------	--	------------------------------------	---------------------------

SELECTION/DIMENSIONS



Ball Bearings CC DL FAN AND BLOWER PILLOW BLOCKS



Series	Shaft Size	Part No.	Description
205	15/16	134186	F&B-CC-015-DL
	1	134187	F&B-CC-100-DL
206	1-1/8	134188	F&B-CC-102-DL
	1-3/16	134189	F&B-CC-103-DL
207	1-1/4	134190	F&B-CC-104-DL
	1-3/8	134191	F&B-CC-106-DL
	1-7/16	134192	F&B-CC-107-DL
209	1-11/16	134193	F&B-CC-111-DL
	1-3/4	134194	F&B-CC-112-DL
210	1-15/16	134195	F&B-CC-115-DL
211	2-3/16	134196	F&B-CC-203-DL
212	2-7/16	134197	F&B-CC-207-DL

FEATURES/BENEFITS PAGE B6-3	HOW TO ORDER/NOMENCLATURE PAGE B6-5	SELECTION/DIMENSIONS PAGE B6-10	ACCESSORIES PAGE B6-62
--------------------------------	--	------------------------------------	---------------------------

SELECTION/DIMENSIONS



Ball Bearings CC DL FAN AND BLOWER PILLOW BLOCKS

Bearing Reference Guide

ULTRA KLEEN

E-Z KLEEN

Extreme Duty

Setscrew Ball Bearing

GRIP TIGHT

D-LOK Ball Bearing

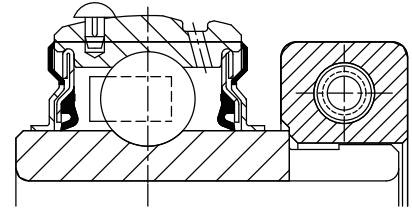
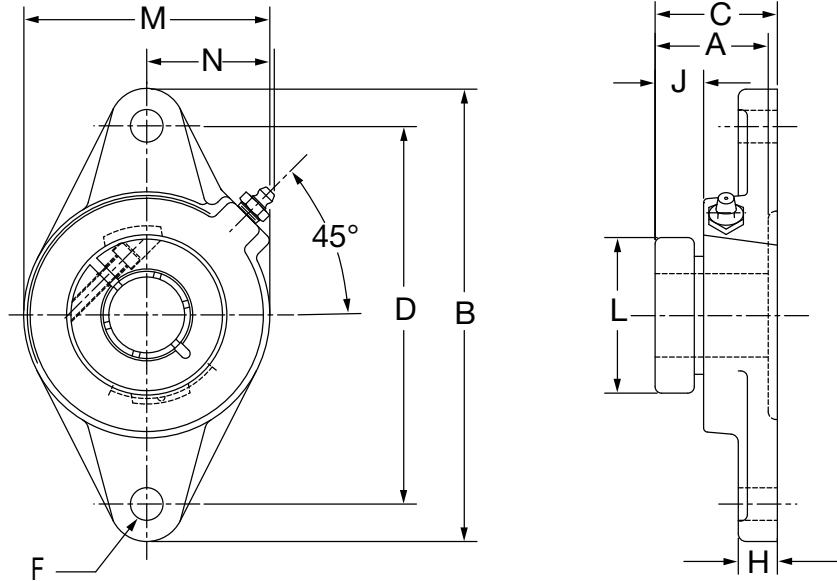
Series	Shaft Size	Weight lbs.	A	B	C	D		E	F Bolt Dia.	G	H	J	L	M	Bearing Centers BC
						Min.	Max.								
205	15/16	16.000	7.66	7.75	4.25	6.00	6.50	2.75	3/8	0.63	1.25	4.56	1.99	2.50	5.91
	1	16.050													
206	1-1/18	16.080	7.96	7.75	4.25	6.00	6.50	2.75	3/8	0.63	1.25	4.56	2.22	2.50	6.00
	1-3/16	16.240													
207	1-1/4	32.710	10.35	10.00	5.50	7.75	8.25	3.50	1/2	0.88	1.56	5.63	2.69	3.00	8.19
	1-3/8	32.510													
	1-7/16	34.260													
209	1-11/16	31.800	10.55	10.00	5.50	7.75	8.25	3.50	1/2	0.88	1.56	5.63	2.99	3.00	8.03
	1-3/4	31.870													
210	1-15/16	51.350	13.43	12.00	7.00	9.00	10.00	4.00	5/8	1.13	1.75	6.44	3.24	3.50	10.90
211	2-3/16	51.130	13.72	12.00	7.00	9.00	10.00	4.00	5/8	1.13	1.75	6.44	3.69	3.50	10.97
212	2-7/16	55.000	13.86	12.00	7.00	9.00	10.00	4.00	5/8	1.13	1.75	6.44	4.11	3.50	10.91

FEATURES/BENEFITS PAGE B6-3	HOW TO ORDER/NOMENCLATURE PAGE B6-5	SELECTION/DIMENSIONS PAGE B6-10	ACCESSORIES PAGE B6-62
--------------------------------	--	------------------------------------	---------------------------

SELECTION/DIMENSIONS



D-LOK® Ball Bearings DL NORMAL DUTY 2-BOLT FLANGE BEARINGS



Series	Shaft Size	Standard		No Lube/Sealed for Life (-NL)	
		Part No.	Description	Part No.	Description
204	3/4	128757	F2B-DL-012	052931	F2B-DL-012-NL
	20mm	126611	F2B-DL-20M	065632	F2B-DL-20M-NL
205	7/8	128758	F2B-DL-014	@	F2B-DL-014-NL
	15/16	128759	F2B-DL-015	059850	F2B-DL-015-NL
	1	128760	F2B-DL-100	052984	F2B-DL-100-NL
	25mm	126612	F2B-DL-25M	059680	F2B-DL-25M-NL
206	1-1/8	128761	F2B-DL-102	@	F2B-DL-102-NL
	1-3/16	128762	F2B-DL-103	067970	F2B-DL-103-NL
	1-1/4	128763	F2B-DL-104S	068643	F2B-DL-104S-NL
	30mm	126613	F2B-DL-30M	062438	F2B-DL-30M-NL
207	1-1/4	128764	F2B-DL-104	058625	F2B-DL-104-NL
	1-3/8	128765	F2B-DL-106	@	F2B-DL-106-NL
	1-7/16	128766	F2B-DL-107	056961	F2B-DL-107-NL
	35mm	126614	F2B-DL-35M	065658	F2B-DL-35M-NL
208	1-1/2	128767	F2B-DL-108	059857	F2B-DL-108-NL
	40mm	126615	F2B-DL-40M	062379	F2B-DL-40M-NL
209	1-5/8	128768	F2B-DL-110L	@	F2B-DL-110L-NL
	1-11/16	128769	F2B-DL-111	056962	F2B-DL-111-NL
	1-3/4	128770	F2B-DL-112	054142	F2B-DL-112-NL
	45mm	126616	F2B-DL-45M	@	F2B-DL-45M-NL
210	1-15/16	128771	F2B-DL-115	056967	F2B-DL-115-NL
	2	128772	F2B-DL-200	@	F2B-DL-200-NL
	50mm	126617	F2B-DL-50M	065605	F2B-DL-50M-NL
211	2	128842	F2B-DLM-200	@	F2B-DLM-200-NL
	2-3/16	128774	F2B-DL-203	@	F2B-DL-203-NL
	55mm	126618	F2B-DL-55M	@	F2B-DL-55M-NL

@ Assembled to order

FEATURES/BENEFITS PAGE B6-3	HOW TO ORDER/NOMENCLATURE PAGE B6-5	SELECTION/DIMENSIONS PAGE B6-10	ACCESSORIES PAGE B6-62
--------------------------------	--	------------------------------------	---------------------------

SELECTION/DIMENSIONS



D-LOK® Ball Bearings DL NORMAL DUTY 2-BOLT FLANGE BEARINGS

Bearing Reference Guide

ULTRA KLEEN

E-Z KLEEN

Extreme Duty

Setscrew Ball Bearing

GRIP TIGHT

D-LOK Ball Bearing

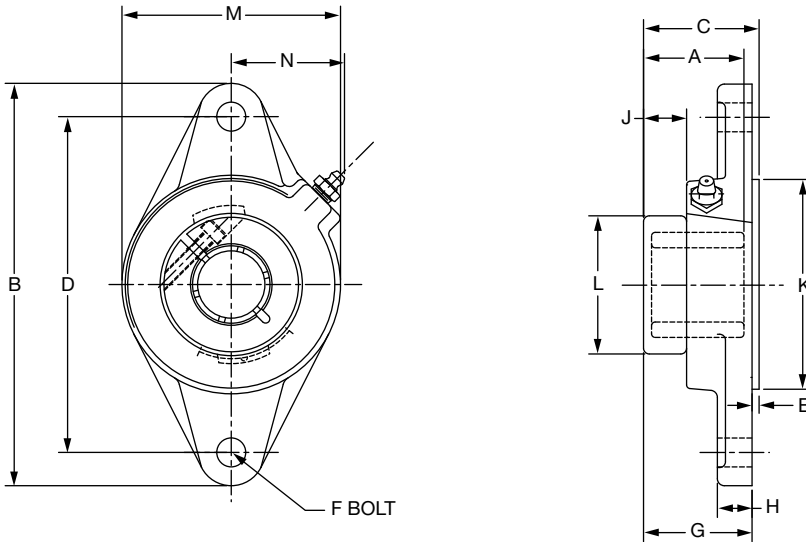
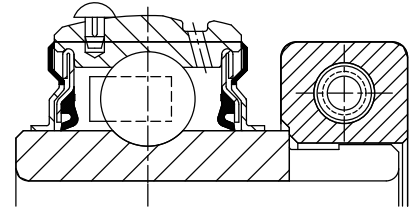
Series	Shaft Size	Weight lbs kg	A	B	C	D	F Bolt Dia.	H	J	L	M	N
204	3/4	1.4	1.28	4.41	1.39	3.53	3/8	0.50	0.41	1.71	2.38	1.50
	20mm	0.6	32.5	112.0	35.3	89.7	M10	12.7	10.4	43.4	60.5	38.1
205	7/8	1.8	1.44	4.88	1.47	3.89	7/16	0.52	0.51	1.99	2.75	1.44
	15/16	1.8										
	1	1.8										
206	25mm	0.8	36.6	124.0	37.3	98.8	M10	13.2	13.0	50.5	69.9	36.6
	1-1/8	2.4	1.56	5.56	1.60	4.59	7/16	0.50	0.53	2.22	3.13	1.56
	1-3/16	2.4										
207	1-1/4	2.3										
	30mm	1.1	39.6	141.2	40.6	116.7	M10	12.7	13.5	56.4	79.5	39.6
	1-3/8	3.5	1.75	6.13	1.79	5.12	1/2	0.56	0.57	2.69	3.75	1.84
208	1-7/16	3.4										
	35mm	1.6	44.5	155.7	45.5	130.0	M12	14.2	14.5	68.3	95.3	46.7
	1-1/2	4.8	2.01	6.75	2.05	5.66	1/2	0.56	0.70	2.74	4.13	1.83
209	40mm	2.2	51.1	171.5	52.1	143.8	M12	14.2	17.8	69.6	104.9	46.5
	1-5/8	5.2	2.01	7.06	2.06	5.84	1/2	0.63	0.66	2.99	4.38	1.91
	1-11/16	5.2										
210	1-3/4	5.2										
	45mm	2.4	51.1	179.3	52.3	148.3	M14	16.0	16.8	75.9	111.3	48.5
	1-15/16	6.0	2.01	7.44	2.10	6.19	1/2	0.63	0.63	3.24	4.56	2.03
211	2	5.9										
	50mm	2.7	51.1	189.0	53.3	157.2	M16	16.0	16.0	82.3	115.8	51.6
	2	9.1	2.25	8.63	2.30	7.25	5/8	0.67	0.71	3.69	5.25	2.27
211	2-3/16	9.1										
	55mm	4.1	57.2	219.2	58.4	184.2	M16	17.0	18.0	93.7	133.4	57.7

FEATURES/BENEFITS PAGE B6-3	HOW TO ORDER/NOMENCLATURE PAGE B6-5	SELECTION/DIMENSIONS PAGE B6-10	ACCESSORIES PAGE B6-62
--------------------------------	--	------------------------------------	---------------------------



SELECTION/DIMENSIONS

D-LOK® Ball Bearings DL NORMAL DUTY 2-BOLT PILOTED FLANGE BEARINGS



Series	Shaft Size	Part No.	Description
204	3/4	056696	F2BZ-DL-012
	20mm	126646	F2BZ-DL-20M
205	7/8	067997	F2BZ-DL-014
	15/16	@	F2BZ-DL-015
	1	056867	F2BZ-DL-100
	25mm	126647	F2BZ-DL-25M
206	1-1/8	@	F2BZ-DL-102
	1-3/16	@	F2BZ-DL-103
	1-1/4	064473	F2BZ-DL-104S
	30mm	126648	F2BZ-DL-30M
207	1-1/4	074818	F2BZ-DL-104
	1-3/8	@	F2BZ-DL-106
	1-7/16	@	F2BZ-DL-107
	35mm	126649	F2BZ-DL-35M
208	1-1/2	065770	F2BZ-DL-108
	40mm	126650	F2BZ-DL-40M
209	1-5/8	073753	F2BZ-DL-110L
	1-11/16	@	F2BZ-DL-111
	1-3/4	@	F2BZ-DL-112
	45mm	126651	F2BZ-DL-45M
210	1-15/16	067958	F2BZ-DL-115
	2	065771	F2BZ-DL-200
	50mm	126652	F2BZ-DL-50M

@ Assembled to order

FEATURES/BENEFITS PAGE B6-3	HOW TO ORDER/NOMENCLATURE PAGE B6-5	SELECTION/DIMENSIONS PAGE B6-10	ACCESSORIES PAGE B6-62
--------------------------------	--	------------------------------------	---------------------------

SELECTION/DIMENSIONS



D-LOK® Ball Bearings DL NORMAL DUTY 2-BOLT PILOTED FLANGE BEARINGS

Bearing Reference Guide

ULTRA KLEEN

E-Z KLEEN

Extreme Duty

Setscrew Ball Bearing

GRIP TIGHT

D-LOK Ball Bearing

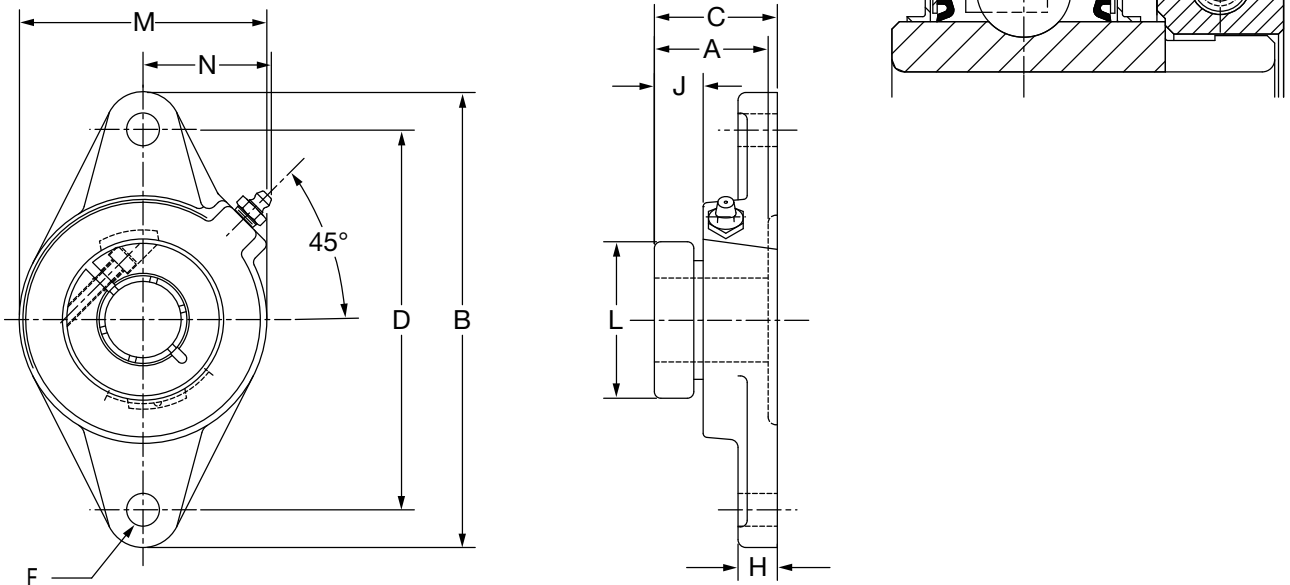
Series	Shaft Size	Weight lbs kg	A	B	C	D	E	F Bolt Dia.	G	H	J	K	L	M	N
204	3/4	1.4	1.28	4.41	1.53	3.53	0.14	3/8	1.39	0.50	0.41	2.165/2.163	1.71	2.38	1.50
	20mm	0.6	32.5	112.0	38.9	89.7	3.6	M10	35.3	12.7	10.4	54.99/54.94	43.4	60.5	38.1
205	7/8	1.8	1.44	4.88	1.60	3.89	0.14	7/16	1.47	0.52	0.51	2.362/2.360	1.99	2.75	1.44
	15/16	1.8													
	1	1.8													
206	25mm	0.8	36.6	124.0	40.6	98.8	3.6	M10	37.3	13.2	13.0	59.99/59.94	50.5	69.9	36.6
	1-1/8	2.4	1.56	5.56	1.72	4.59	0.12	7/16	1.60	0.50	0.53	3.150/3.148	2.22	3.13	1.56
	1-3/16	2.4													
	1-1/4	2.3													
207	30mm	1.1	39.6	141.2	43.7	116.7	3.0	M10	40.6	12.7	13.5	80.01/79.96	56.4	79.5	39.6
	1-1/4	3.5	1.75	6.13	1.95	5.12	0.16	1/2	1.79	0.56	0.57	3.543/3.541	2.69	3.75	1.84
	1-3/8	3.5													
	1-7/16	3.4													
	35mm	1.6	44.5	155.7	49.5	130.0	4.1	M12	45.5	14.2	14.5	89.99/89.94	68.3	95.3	46.7
208	1-1/2	4.8	2.01	6.75	2.20	5.66	0.16	1/2	2.05	0.56	0.70	3.937/3.935	2.74	4.13	1.83
	40mm	2.2	51.1	171.5	55.9	143.8	4.1	M12	52.1	14.2	17.8	100.00/99.95	69.6	104.9	46.5
209	1-5/8	5.2	2.01	7.06	2.22	5.84	0.16	1/2	2.06	0.63	0.66	4.134/4.132	2.99	4.38	1.91
	1-11/16	5.2													
	1-3/4	5.2													
	45mm	2.4	51.1	179.3	56.4	148.3	4.1	M14	52.3	16.0	16.8	105.00/104.95	75.9	111.3	48.5
210	1-15/16	6.0	2.01	7.44	2.25	6.19	0.16	1/2	2.10	0.63	0.63	4.134/4.132	3.24	4.56	2.03
	2	5.9													
	50mm	2.6	51.1	189.0	57.2	157.2	4.1	M16	53.3	16.0	16.0	105.00/104.95	82.3	115.8	51.6

FEATURES/BENEFITS PAGE B6-3	HOW TO ORDER/NOMENCLATURE PAGE B6-5	SELECTION/DIMENSIONS PAGE B6-10	ACCESSORIES PAGE B6-62
--------------------------------	--	------------------------------------	---------------------------

SELECTION/DIMENSIONS



D-LOK® Ball Bearings DLM MEDIUM DUTY 2-BOLT FLANGE BEARINGS



Series	Shaft Size	Part No.	Description
206	1	128835	F2B-DLM-100
207	1-3/16	128836	F2B-DLM-103
	1-1/4	128764	F2B-DL-104
208	1-7/16	128837	F2B-DLM-107
	35mm	126641	F2B-DLM-35M
209	1-1/2	128838	F2B-DLM-108
210	1-11/16	128839	F2B-DLM-111
	1-3/4	128840	F2B-DLM-112
211	1-15/16	128841	F2B-DLM-115
	2	128842	F2B-DLM-200

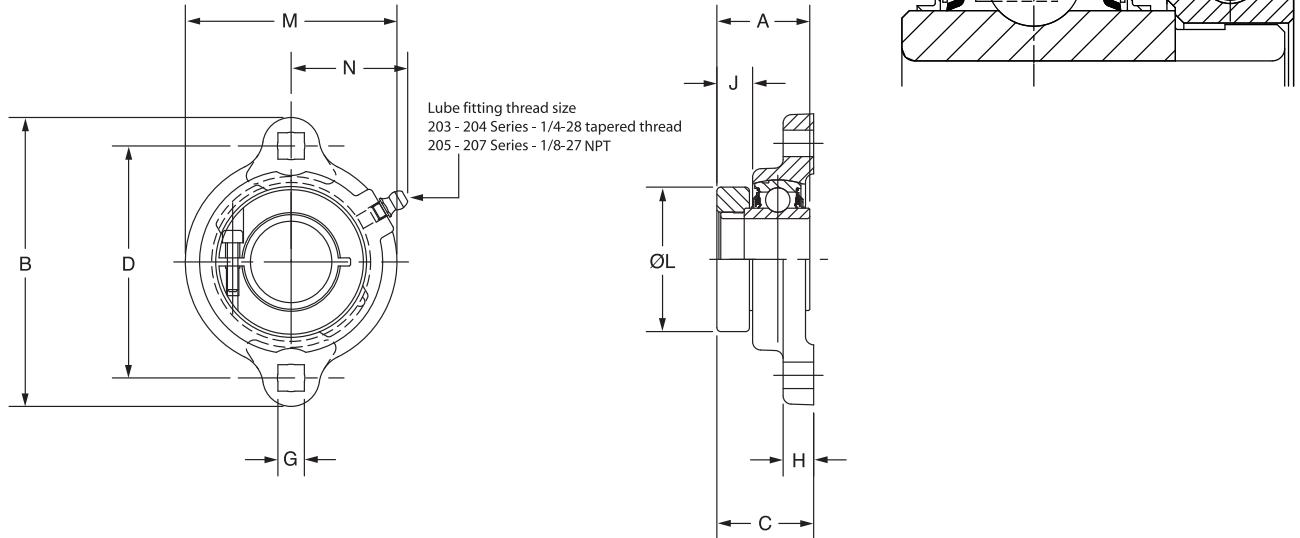
Series	Shaft Size	Weight lbs kg	A	B	C	D	F Bolt Dia.	H	J	L	M	N
206	1	2.6	1.75	6.13	1.79	5.12	1/2	0.56	0.57	2.69	3.75	1.84
		44.5	155.7	45.5	130.0	M10	14.2	14.5	68.3	95.3	46.7	
207	1-3/16 1-1/4	3.7	2.01	6.75	2.05	5.66	1/2	0.56	0.7	2.74	4.13	1.83
		3.5	51.1	171.5	52.1	143.8	M12	14.2	17.8	69.6	104.9	46.5
208	1-7/16 35mm	5.0	2.01	7.06	2.06	5.84	1/2	0.63	0.66	2.99	4.38	1.91
		2.2	51.1	179.3	52.3	148.3	M14	16.0	16.8	75.9	111.3	48.5
209	1-1/2	5.6	2.01	7.44	2.1	6.19	1/2	0.63	0.63	3.24	4.56	2.03
		51.1	189.0	53.3	157.2	M16	16.0	16.0	82.3	115.8	51.6	
210	1-11/16 1-3/4	6.2	2.25	8.63	2.3	7.25	5/8	0.67	0.71	3.69	5.25	2.27
		6.1	57.2	219.2	58.4	184.2	M16	17.0	18.0	93.7	133.4	57.7
211	1-15/16 2	9.2	2.01	7.06	2.06	5.84	1/2	0.63	0.66	2.99	4.38	1.91
		9.1	51.1	179.3	52.3	148.3	M14	16.0	16.8	75.9	111.3	48.5

FEATURES/BENEFITS PAGE B6-3	HOW TO ORDER/NOMENCLATURE PAGE B6-5	SELECTION/DIMENSIONS PAGE B6-10	ACCESSORIES PAGE B6-62
--------------------------------	--	------------------------------------	---------------------------

SELECTION/DIMENSIONS



D-LOK® Ball Bearings DL LFT NORMAL DUTY 2-BOLT FLANGE BEARINGS



Series	Shaft Size	Part No.	Description
204	3/4	049466	LFT-DL-012
	20mm	073072	LFT-DL-20M
205	7/8	053140	LFT-DL-014
	15/16	062525	LFT-DL-015
	1	052668	LFT-DL-100
206	1-1/8	@	LFT-DL-102
	1-3/16	056889	LFT-DL-103
	1-1/4	052535	LFT-DL-104S
207	1-1/4	064735	LFT-DL-104
	1-3/8	@	LFT-DL-106
	1-7/16	049447	LFT-DL-107

@ Assembled to order

Series	Shaft Size	Weight lbs	A	B	C	D	G	H	J	L	M	N
204	3/4	0.80	1.28	3.56	1.27	2.81	0.34	0.42	0.42	1.71	2.38	1.34
	20mm		32.5	90.4	32.3	71.4	8.6	10.7	10.7	43.4	60.5	34.0
205	7/8	0.95	1.44	3.75	1.35	3	0.34	0.42	0.48	1.99	2.63	1.44
	15/16	0.90										
	1	0.85	36.6	95.3	34.3	76.2	8.6	10.7	12.2	50.5	66.8	36.6
206	1-1/8	1.50	1.56	4.44	1.53	3.56	0.41	0.47	0.54	2.22	3.25	1.72
	1-3/16	1.45										
	1-1/4	1.40	39.6	112.8	38.9	90.4	10.4	11.9	13.7	56.4	82.6	43.7
207	1-1/4	1.85	1.75	4.82	1.64	3.94	0.41	0.5	0.57	2.69	3.5	1.83
	1-3/8	1.80										
	1-7/16	1.75	44.5	122.4	41.7	100.1	10.4	12.7	14.5	68.3	88.9	46.5

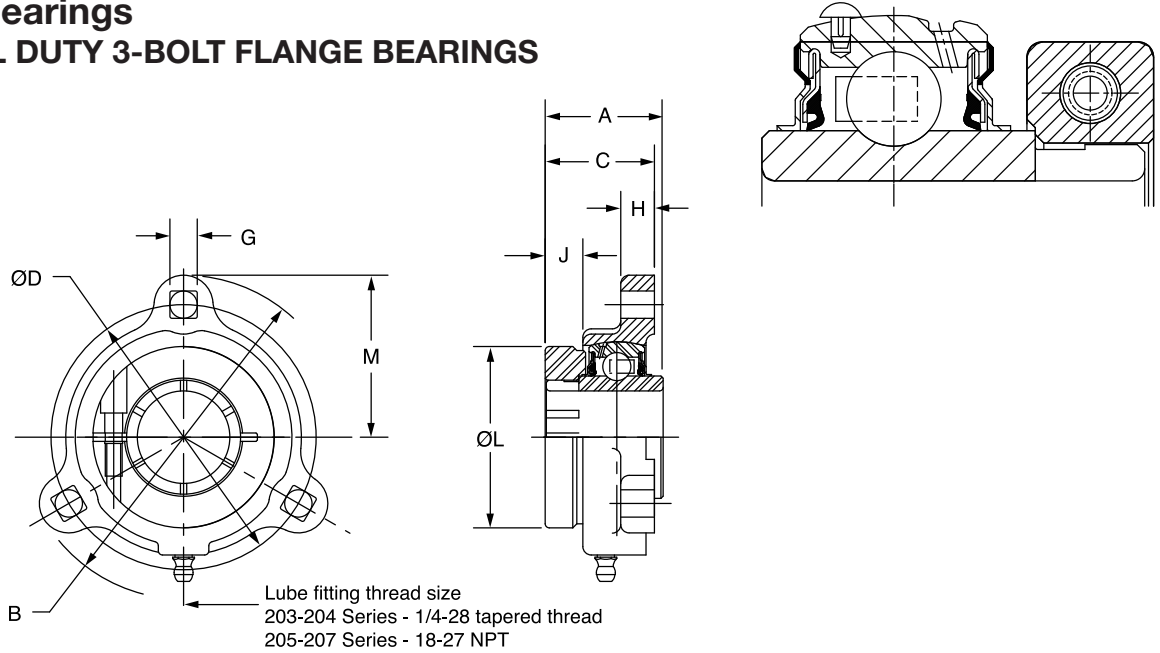
Lube fitting thread size - 1/4-28 tapered thread

FEATURES/BENEFITS PAGE B6-3	HOW TO ORDER/NOMENCLATURE PAGE B6-5	SELECTION/DIMENSIONS PAGE B6-10	ACCESSORIES PAGE B6-62
--------------------------------	--	------------------------------------	---------------------------

SELECTION/DIMENSIONS



D-LOK® Ball Bearings DL LFT NORMAL DUTY 3-BOLT FLANGE BEARINGS



Series	Shaft Size	Part No.	Description
204	3/4	049709	LF-DL-012
205	7/8	064735	LF-DL-014
	15/16	@	LF-DL-015
	1	056890	LF-DL-100
206	1-1/8	049930	LF-DL-102
	1-3/16	056780	LF-DL-103
	1-1/4	062781	LF-DL-104S
207	1-1/4	064624	LF-DL-104
	1-3/8	068663	LF-DL-106
	1-7/16	062575	LF-DL-107

@ Assembled to order

Series	Shaft Size	Weight lbs	A	B	C	D	G	H	J	L	M	N	
204	3/4	0.85	1.28	3.56	1.27	2.81	0.34	0.42	0.42	1.71	1.78	1.56	
			32.5	90.4	32.3	71.4	8.6	10.7	10.7	43.4	45.2	39.6	
205	7/8 15/16 1	1.10	1.44	3.75	1.35	3	0.34	0.42	0.48	1.99	1.88	1.7	
		1.05											
		1.00	36.6	95.3	34.3	76.2	8.6	10.7	12.2	50.5	47.8	43.2	
206	1-1/8 1-3/16 1-1/4	1.65	1.56	4.44	1.53	3.56	0.41	0.47	0.54	2.22	2.22	2.02	
		1.60											
		1.55	39.6	112.8	38.9	90.4	10.4	11.9	13.7	56.4	56.4	51.3	
207	1-1/4 1-3/8 1-7/16	1.50	1.75	4.81	1.64	3.94	0.41	0.5	0.57	2.69	2.41	2.14	
		2.10											
		2.05	44.5	122.2	41.7	100.1	10.4	12.7	14.5	68.3	61.2	54.4	

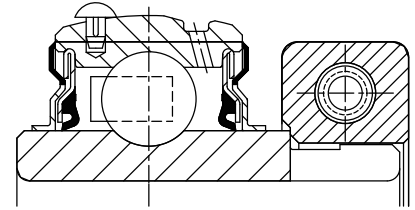
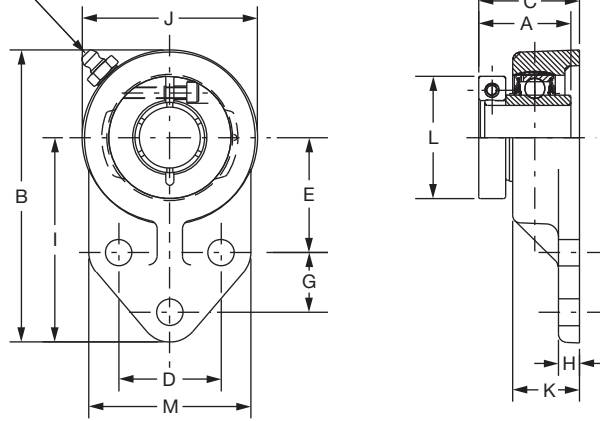
FEATURES/BENEFITS PAGE B6-3	HOW TO ORDER/NOMENCLATURE PAGE B6-5	SELECTION/DIMENSIONS PAGE B6-10	ACCESSORIES PAGE B6-62
--------------------------------	--	------------------------------------	---------------------------

SELECTION/DIMENSIONS



D-LOK® Ball Bearings DL FB NORMAL DUTY 3-BOLT FLANGE BRACKET BEARINGS

Lube fitting thread size
1/8 - 27 NPT



Series	Shaft Size	Part No.	Description
204	3/4	128796	FB-DL-012
205	7/8	128797	FB-DL-014
	15/16	128798	FB-DL-015
	1	128799	FB-DL-100
206	1-1/8	128800	FB-DL-102
	1-3/16	128801	FB-DL-103
	1-1/4	128802	FB-DL-104S
207	1-1/4	128803	FB-DL-104
	1-3/8	128804	FB-DL-106
	1-7/16	128805	FB-DL-107
210	1-15/16	128806	FB-DL-115
	2	128807	FB-DL-200

@ Assembled to order

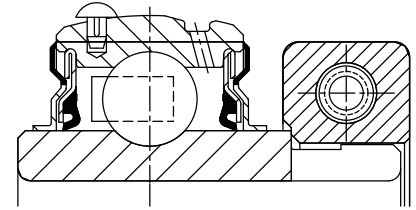
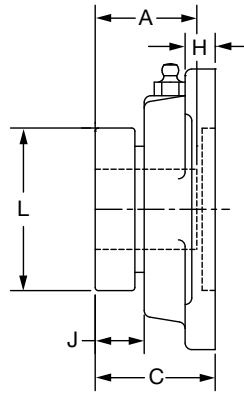
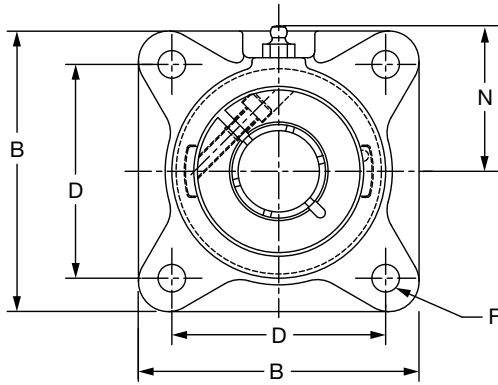
Series	Shaft Size	Weight lbs	A	B	C	D	E	F Bolt Dia.	G	H	I	J	K	L	M
204	3/4	0.80	1.28	4.25	1.39	1.50	1.69	3/8	0.88	0.31	3.00	2.50	0.98	1.71	2.38
205	7/8	0.95	1.44	4.75	1.60	1.63	1.81	3/8	1.13	0.38	3.38	2.75	1.11	1.99	2.50
	15/16	0.90													
	1	0.85													
206	1-1/8	1.50	1.56	5.38	1.69	1.88	2.06	3/8	1.25	0.38	3.75	3.25	1.13	2.22	2.75
	1-3/16	1.45													
	1-1/4	1.40													
207	1-1/4	1.85	1.75	6.13	1.91	2.00	2.37	1/2	1.25	0.50	4.25	3.75	1.31	2.69	3.25
	1-3/8	1.80													
	1-7/16	1.75													
210	1-15/16	5.7	2.01	7.50	2.14	2.75	2.94	1/2	1.63	0.50	5.19	4.63	1.50	3.24	4.00
	2	5.6													

FEATURES/BENEFITS PAGE B6-3	HOW TO ORDER/NOMENCLATURE PAGE B6-5	SELECTION/DIMENSIONS PAGE B6-10	ACCESSORIES PAGE B6-62
--------------------------------	--	------------------------------------	---------------------------

SELECTION/DIMENSIONS



D-LOK® Ball Bearings DL NORMAL DUTY 4-BOLT FLANGE BEARINGS



Series	Shaft Size	Standard		No Lube/Sealed for Life (-NL)	
		Part No.	Description	Part No.	Description
204	3/4	128775	F4B-DL-012	@	F4B-DL-012-NL
	20mm	126619	F4B-DL-20M	@	F4B-DL-20M-NL
205	7/8	128776	F4B-DL-014	@	F4B-DL-014-NL
	15/16	128777	F4B-DL-015	@	F4B-DL-015-NL
	1	128778	F4B-DL-100	056512	F4B-DL-100-NL
	25mm	126620	F4B-DL-25M	@	F4B-DL-25M-NL
206	1-1/8	128779	F4B-DL-102	@	F4B-DL-102-NL
	1-3/16	128780	F4B-DL-103	062408	F4B-DL-103-NL
	1-1/4	128781	F4B-DL-104S	068320	F4B-DL-104S-NL
	30mm	126621	F4B-DL-30M	062491	F4B-DL-30M-NL
207	1-1/4	128782	F4B-DL-104	058898	F4B-DL-104-NL
	1-3/8	128783	F4B-DL-106	068758	F4B-DL-106-NL
	1-7/16	128784	F4B-DL-107	059705	F4B-DL-107-NL
	35mm	126622	F4B-DL-35M	@	F4B-DL-35M-NL
208	1-1/2	128785	F4B-DL-108	074781	F4B-DL-108-NL
	40mm	126623	F4B-DL-40M	@	F4B-DL-40M-NL
209	1-5/8	128786	F4B-DL-110L	@	F4B-DL-110L-NL
	1-11/16	128787	F4B-DL-111	056970	F4B-DL-111-NL
	1-3/4	128788	F4B-DL-112	074782	F4B-DL-112-NL
	45mm	126624	F4B-DL-45M	@	F4B-DL-45M-NL
210	1-15/16	128789	F4B-DL-115	056968	F4B-DL-115-NL
	2	128790	F4B-DL-200	067969	F4B-DL-200-NL
	50mm	126625	F4B-DL-50M	076608	F4B-DL-50M-NL
211	2	128850	F4B-DLM-200	@	F4B-DLM-200-NL
	2-3/16	128792	F4B-DL-203	@	F4B-DL-203-NL
	55mm	126626	F4B-DL-55M	@	F4B-DL-55M-NL
212	2-1/4	128852	F4B-DLM-204	@	F4B-DLM-204-NL
	2-7/16	128794	F4B-DL-207	073279	F4B-DL-207-NL
	60mm	126627	F4B-DL-60M	062475	F4B-DL-60M-NL
214	2-1/2	128854	F4B-DLM-208	@	F4B-DLM-208-NL
	2-11/16	128795	F4B-DL-211	062407	F4B-DL-211-NL
	70mm	126628	F4B-DL-70M	@	F4B-DL-70M-NL
215	2-15/16	062152	F4B-DL-215	@	F4B-DL-215-NL

@ Assembled to order

FEATURES/BENEFITS PAGE B6-3	HOW TO ORDER/NOMENCLATURE PAGE B6-5	SELECTION/DIMENSIONS PAGE B6-10	ACCESSORIES PAGE B6-62
--------------------------------	--	------------------------------------	---------------------------

SELECTION/DIMENSIONS



D-LOK® Ball Bearings DL NORMAL DUTY 4-BOLT FLANGE BEARINGS

Bearing Reference Guide

ULTRA KLEEN

E-Z KLEEN

Extreme Duty

Setscrew Ball Bearing

GRIP TIGHT

D-LOK Ball Bearing

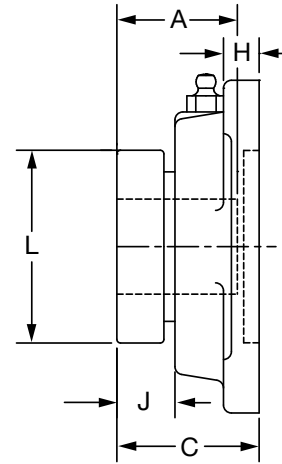
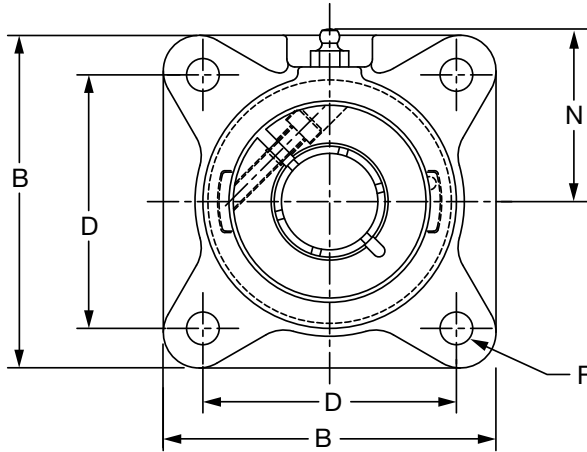
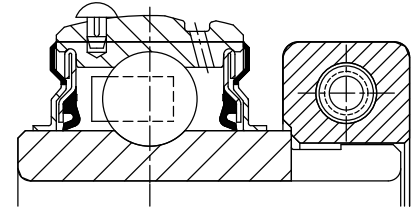
Series	Shaft Size	Weight lbs kg	A	B	C	D	F Bolt Dia.	H	J	L	N
204	3/4	1.7	1.28	3.38	1.39	2.5	3/8	0.44	0.41	1.71	1.94
	20mm	0.8	32.5	85.9	35.3	63.5	M10	11.2	10.4	43.4	49.3
205	7/8	2.2	1.44	3.75	1.47	2.75	7/16	0.5	0.51	1.99	2.06
	15/16	2.2									
	1	2.2									
	25mm	1.0	36.6	95.3	37.3	69.9	M10	12.7	13.0	50.5	52.3
206	1-1/8	3.8	1.56	4.25	1.60	3.25	7/16	0.50	0.53	2.22	2.19
	1-3/16	3.7									
	1-1/4	3.7									
	30mm	1.7	39.6	108.0	40.6	82.6	M10	12.7	13.5	56.4	55.6
207	1-1/4	4.4	1.75	4.75	1.79	3.63	1/2	0.56	0.57	2.69	2.44
	1-3/8	4.4									
	1-7/16	4.3									
	35mm	2.0	44.5	120.7	45.5	92.2	M12	14.2	14.5	68.3	62.0
208	1-1/2	5.8	2.01	5.13	2.05	4.00	1/2	0.56	0.70	2.74	2.38
	40mm	2.6	51.1	130.3	52.1	101.6	M12	14.2	17.8	69.6	60.5
209	1-5/8	6.0	2.01	5.38	2.06	4.13	9/16	0.63	0.66	2.99	2.75
	1-11/16	6.0									
	1-3/4	5.9									
	45mm	2.7	51.1	136.7	52.3	104.9	M14	16.0	16.8	75.9	69.9
210	1-15/16	7.0	2.01	5.63	2.10	4.38	9/16	0.63	0.63	3.24	2.88
	2	6.9									
	50mm	3.1	51.1	143.0	53.3	111.3	M14	16.0	16.0	82.3	73.2
211	2	11.0	2.25	6.50	2.30	5.13	5/8	0.69	0.71	3.69	3.25
	55mm	5.0	57.2	165.1	58.4	130.3	M16	17.5	18.0	93.7	82.6
212	2-1/4	13.3	2.38	6.88	2.45	5.63	5/8	0.69	0.73	4.11	3.50
	2-7/16	13.0									
	60mm	5.9	60.5	174.8	62.2	143.0	M16	17.5	18.5	104.4	88.9
214	2-1/2	14.6	2.60	7.38	2.85	5.88	5/8	0.69	0.66	4.38	3.69
	2-11/16	14.6									
	70mm	6.6	66.0	187.5	72.4	149.4	M16	17.5	16.8	111.3	93.7
215	2-15/16	18.8	2.40	7.75	2.99	6.00	3/4	1.00	0.74	4.69	3.88
			61.0	196.9	75.9	152.4	M18	25.4	18.8	119.1	98.6

FEATURES/BENEFITS PAGE B6-3	HOW TO ORDER/NOMENCLATURE PAGE B6-5	SELECTION/DIMENSIONS PAGE B6-10	ACCESSORIES PAGE B6-62
--------------------------------	--	------------------------------------	---------------------------



SELECTION/DIMENSIONS

D-LOK® Ball Bearings DLM MEDIUM DUTY 4-BOLT FLANGE BEARINGS



Series	Shaft Size	Part No.	Description
206	1	128843	F4B-DLM-100
207	1-3/16	128844	F4B-DLM-103
	1-1/4	128782	F4B-DL-104
208	1-7/16	128845	F4B-DLM-107
	35mm	126642	F4B-DLM-35M
209	1-1/2	128846	F4B-DLM-108
	1-5/8	128786	F4B-DL-110L
210	1-11/16	128847	F4B-DLM-111
	1-3/4	128848	F4B-DLM-112
211	1-15/16	128849	F4B-DLM-115
	2	128850	F4B-DLM-200
212	2-3/16	128851	F4B-DLM-203
	2-1/4	128852	F4B-DLM-204
214	2-7/16	128853	F4B-DLM-207
	2-1/2	128854	F4B-DLM-208
	65mm	126643	F4B-DLM-65M
215	2-11/16	062263	F4B-DLM-211
216	2-15/16	058395	F4B-DLM-215
218	3-7/16	073338	F4B-DLM-307

@ Assembled to order

SELECTION/DIMENSIONS



D-LOK® Ball Bearings DLM MEDIUM DUTY 4-BOLT FLANGE BEARINGS

Bearing Reference Guide

ULTRA KLEEN

E-Z KLEEN

Extreme Duty

Setscrew Ball Bearing

GRIP TIGHT

D-LOK Ball Bearing

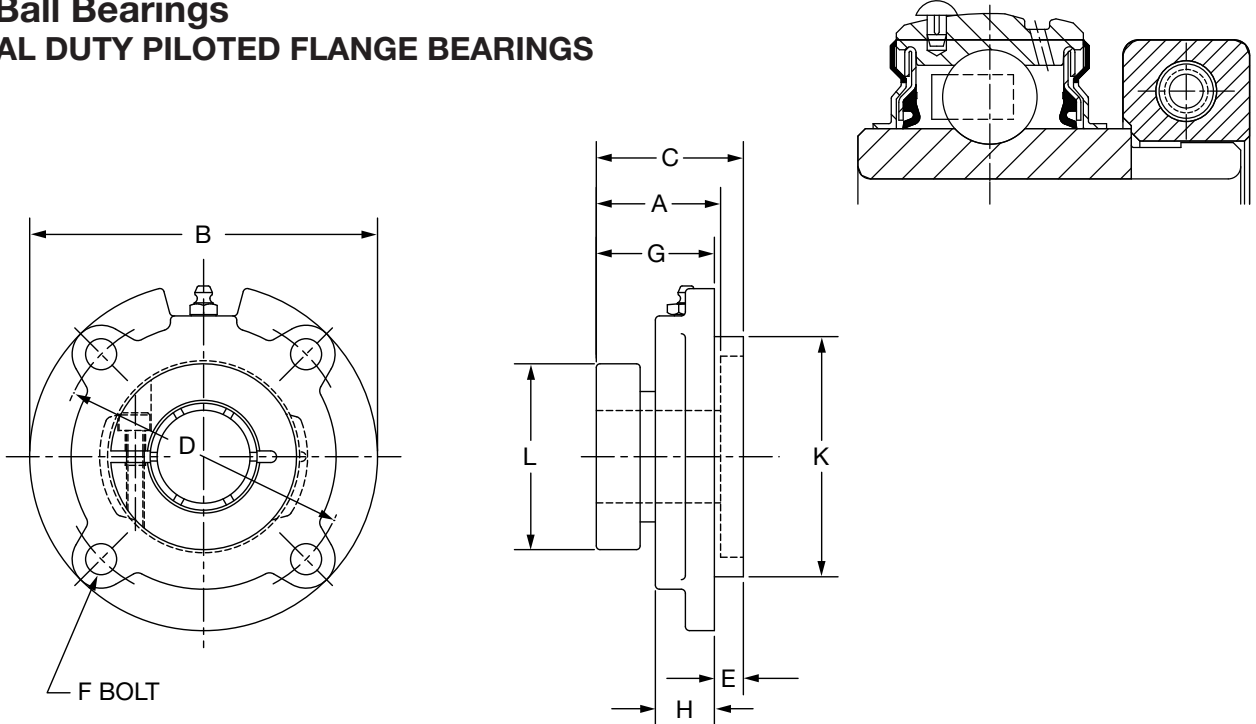
Series	Shaft Size	Weight lbs kg	A	B	C	D	F Bolt Dia.	H	J	L	N
206	1	3.8	1.56	4.25	1.6	3.25	7/16	0.5	0.53	2.22	2.19
			39.6	108.0	40.6	82.6	M10	12.7	13.5	56.4	55.6
207	1-3/16	4.4	1.75	4.75	1.79	3.63	1/2	0.56	0.57	2.69	2.44
	1-1/4	3.7	44.5	120.7	45.5	92.2	M12	14.2	14.5	68.3	62.0
208	1-7/16	5.9	2.01	5.13	2.05	4	1/2	0.56	0.7	2.74	2.38
	35mm	2.2	51.1	130.3	52.1	101.6	M12	14.2	17.8	69.6	60.5
209	1-1/2	6.4	2.01	5.38	2.06	4.13	9/16	0.63	0.66	2.99	2.75
	1-5/8	6.0	51.1	136.7	52.3	104.9	M14	16.0	16.8	75.9	69.9
210	1-11/16	7.4	2.01	5.63	2.10	4.38	9/16	0.63	0.63	3.24	2.88
	1-3/4	7.3	51.1	143.0	53.3	111.3	M14	16.0	16.0	82.3	73.2
211	1-15/16	11.1	2.25	6.50	2.3	5.13	5/8	0.69	0.71	3.69	3.25
	2	11.0	57.2	165.1	58.4	130.3	M16	17.5	18.0	93.7	82.6
212	2-3/16	13.3	2.38	6.88	2.45	5.63	5/8	0.69	0.73	4.11	3.5
	2-1/4	13.3	60.5	174.8	62.2	143.0	M16	17.5	18.5	104.4	88.9
214	2-7/16	14.8	2.6	7.38	2.85	5.88	5/8	0.69	0.66	4.38	3.69
	2-1/2	14.6									
	65mm	6.6	66.0	187.5	72.4	149.4	M16	17.5	16.8	111.3	93.7
215	2-11/16	20.3	2.40	7.75	2.99	6.00	3/4	1	0.74	4.69	3.88
			61.0	196.9	75.9	152.4	M18	25.4	18.8	119.1	98.6
216	2-15/16	20.6	2.62	7.75	3.33	6.00	3/4	0.88	0.83	4.99	4.09
			66.5	196.9	84.6	152.4	M18	22.4	21.1	126.7	103.9
218	3-7/16	36.1	2.72	8.44	3.58	6.75	3/4	1.00	0.79	5.49	4.63
			69.1	214.4	90.9	171.5	M18	25.4	20.1	139.4	117.6

FEATURES/BENEFITS PAGE B6-3	HOW TO ORDER/NOMENCLATURE PAGE B6-5	SELECTION/DIMENSIONS PAGE B6-10	ACCESSORIES PAGE B6-62
--------------------------------	--	------------------------------------	---------------------------



SELECTION/DIMENSIONS

D-LOK® Ball Bearings DL NORMAL DUTY PILOTED FLANGE BEARINGS



Series	Shaft Size	Standard	
		Part No.	Description
206	1-1/8	128808	FC-DL-102
	1-3/16	128809	FC-DL-103
	1-1/4	049610	FC-DL-104S
	30mm	126653	FC-DL-30M
207	1-1/4	128810	FC-DL-104
	1-3/8	128811	FC-DL-106
	1-7/16	128812	FC-DL-107
	35mm	126654	FC-DL-35M
208	1-1/2	128813	FC-DL-108
	40mm	126655	FC-DL-40M
209	1-5/8	128814	FC-DL-110L
	1-11/16	128815	FC-DL-111
	1-3/4	128816	FC-DL-112
	45mm	126656	FC-DL-45M
210	1-15/16	128817	FC-DL-115
	2	128818	FC-DL-200
	50mm	126657	FC-DL-50M
211	2	128862	FC-DLM-200
	2-3/16	128820	FC-DL-203
	55mm	126658	FC-DL-55M
212	2-1/4	128864	FC-DLM-204
	2-7/16	128822	FC-DL-207
	60mm	126659	FC-DL-60M
214	2-1/2	128866	FC-DLM-208
	2-11/16	049838	FC-DL-211
	70mm	126661	FC-DL-70M

SELECTION/DIMENSIONS



D-LOK® Ball Bearings DL NORMAL DUTY PILOTED FLANGE BEARINGS

Bearing Reference Guide

ULTRA KLEEN

E-Z KLEEN

Extreme Duty

Setscrew Ball Bearing

GRIP TIGHT

D-LOK Ball Bearing

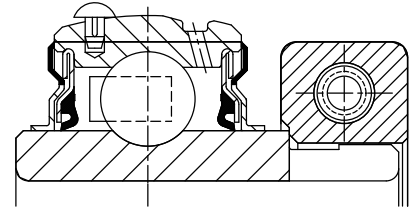
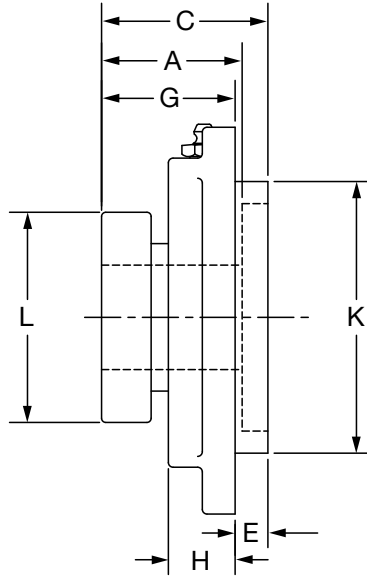
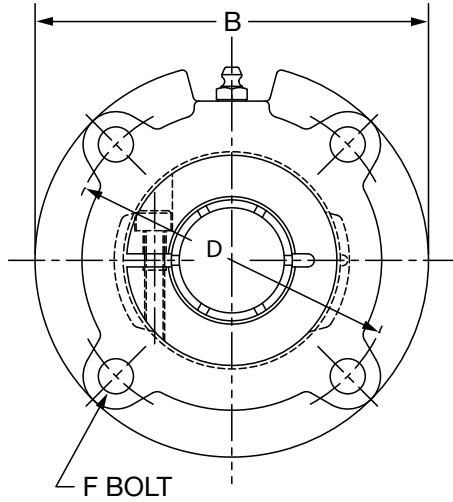
Series	Shaft Size	Weight lbs kg	A	B	C	D	E	F Bolt Dia.	G	H	K	L
206	1-1/8	3.0	1.56	4.38	1.57	3.63	0.25	3/8	1.32	0.81	3.000/2.998	2.22
	1-3/16	3.0										
	1-1/4	3.0										
	30mm	1.4	39.6	111.3	39.9	92.2	6.4	M10	33.5	20.6	76.20/76.15	56.4
207	1-1/4	4.1	1.75	5.00	1.81	4.13	0.38	3/8	1.44	0.84	3.375/3.373	2.69
	1-3/8	4.0										
	1-7/16	4.0										
	35mm	1.6	44.5	127.0	46.0	104.9	9.7	M10	36.6	21.3	85.73/85.67	68.3
208	1-1/2	4.9	2.01	5.25	2.05	4.38	0.44	7/16	1.61	0.89	3.625/3.623	2.74
	40mm	2.1	51.1	133.4	52.1	111.3	11.2	M12	40.9	22.6	92.08/92.02	69.6
209	1-5/8	6.2	2.01	6.13	2.00	5.13	0.44	1/2	1.57	1.00	4.250/4.248	2.99
	1-11/16	6.1										
	1-3/4	6.1										
	45mm	2.5	51.1	155.7	50.8	130.3	11.2	M12	39.9	25.4	107.95/107.90	75.9
210	1-15/16	6.2	2.01	6.13	2.05	5.13	0.47	1/2	1.58	0.92	4.250/4.248	3.24
	2	6.2										
	50mm	2.6	51.1	155.7	52.1	130.3	11.9	M12	40.1	23.4	107.95/107.90	82.3
211	2	8.0	2.25	6.38	2.37	5.38	0.63	1/2	1.75	1.00	4.500/4.498	3.69
	2-3/16	8.0										
	55mm	3.4	57.2	162.1	60.2	136.7	16.0	M12	44.5	25.4	114.30/114.25	93.7
212	2-1/4	11.6	2.38	7.13	2.60	6.00	0.88	1/2	1.73	1.00	5.000/4.998	4.11
	2-7/16	11.6										
	60mm	4.9	60.5	181.1	66.0	152.4	22.4	M12	43.9	25.4	127.00/126.95	104.4
214	2-1/2	13.8	2.60	7.63	2.86	6.50	1.13	1/2	1.73	1.06	5.500/5.498	4.38
	2-11/16	13.6										
	70mm	5.8	66.0	193.8	72.6	165.1	28.7	M12	43.9	26.9	139.70/139.65	111.3

FEATURES/BENEFITS PAGE B6-3	HOW TO ORDER/NOMENCLATURE PAGE B6-5	SELECTION/DIMENSIONS PAGE B6-10	ACCESSORIES PAGE B6-62
--------------------------------	--	------------------------------------	---------------------------



SELECTION/DIMENSIONS

D-LOK® Ball Bearings DLM MEDIUM DUTY PILOTED FLANGE BEARINGS



Series	Shaft Size	Standard	
		Part No.	Description
206	1	128855	FC-DLM-100
207	1-3/16	128856	FC-DLM-103
	1-1/4	128810	FC-DL-104
208	1-7/16	128857	FC-DLM-107
	1-1/2	128813	FC-DL-108
	35mm	053784	FC-DLM-35M
209	1-1/2	128858	FC-DLM-108L
	1-5/8	128814	FC-DL-110L
210	1-11/16	128859	FC-DLM-111
	1-3/4	128860	FC-DLM-112
211	1-15/16	128861	FC-DLM-115
	2	128862	FC-DLM-200
212	2-3/16	128863	FC-DLM-203
	2-1/4	128864	FC-DLM-204
214	2-7/16	128865	FC-DLM-207
	2-1/2	128866	FC-DLM-208
	65mm	126660	FC-DLM-65M
216	2-15/16	057475	FC-DLM-215
218	3-7/16	062373	FC-DLM-307

@ Assembled to order

FEATURES/BENEFITS PAGE B6-3	HOW TO ORDER/NOMENCLATURE PAGE B6-5	SELECTION/DIMENSIONS PAGE B6-10	ACCESSORIES PAGE B6-62
--------------------------------	--	------------------------------------	---------------------------

SELECTION/DIMENSIONS



D-LOK® Ball Bearings DLM MEDIUM DUTY PILOTED FLANGE BEARINGS

Bearing Reference Guide

ULTRA KLEEN

E-Z KLEEN

Extreme Duty

Setscrew Ball Bearing

GRIP TIGHT

D-LOK Ball Bearing

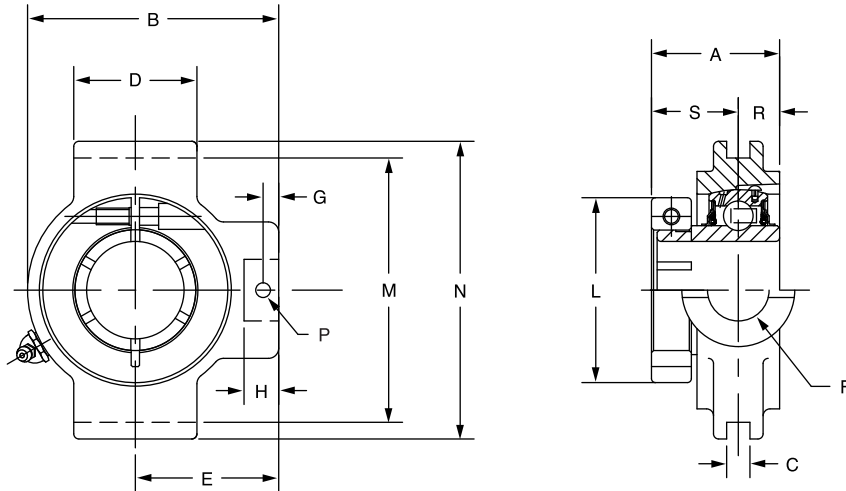
Series	Shaft Size	Weight lbs kg	A	B	C	D	E	F Bolt Dia.	G	H	K	L
206	1	3.1	1.56	4.38	1.57	3.63	0.25	3/8	1.32	0.81	3.000/2.998	2.22
			39.6	111.3	39.9	92.2	6.4	M10	33.5	20.6	76.20/76.15	56.4
207	1-3/16	4.1	1.75	5.00	1.81	4.13	0.38	3/8	1.44	0.84	3.375/3.373	2.69
	1-1/4	4.1	44.5	127.0	46.0	104.9	9.7	M10	36.6	21.3	85.73/85.67	68.3
208	1-7/16	5.1	2.01	5.25	2.05	4.38	0.44	7/16	1.61	0.89	3.625/3.623	2.74
	1-1/2	4.9										
	35mm	2.6	51.1	133.4	52.1	111.3	11.2	M12	40.9	22.6	92.08/92.02	69.6
209	1-1/2	6.1	2.01	6.13	2.00	5.13	0.44	1/2	1.57	1.00	4.250/4.248	2.99
	1-5/8	6.2	51.1	155.7	50.8	130.3	11.2	M12	39.9	25.4	107.95/107.90	75.9
210	1-11/16	6.2	2.01	6.13	2.05	5.13	0.47	1/2	1.58	0.92	4.250/4.248	3.24
	1-3/4	6.2	51.1	155.7	52.1	130.3	11.9	M12	40.1	23.4	107.95/107.90	82.3
211	1-15/16	8.0	2.25	6.38	2.37	5.38	0.63	1/2	1.75	1.00	4.500/4.498	3.69
	2	8.0	57.2	162.1	60.2	136.7	16.0	M12	44.5	25.4	114.30/114.25	93.7
212	2-3/16	11.6	2.38	7.13	2.60	6.00	0.88	1/2	1.73	1.00	5.000/4.998	4.11
	2-1/4	11.6	60.5	181.1	66.0	152.4	22.4	M12	43.9	25.4	127.00/126.95	104.4
214	2-7/16	13.9	2.60	7.63	2.86	6.50	1.13	1/2	1.73	1.06	5.500/5.498	4.38
	2-1/2	13.8										
	65mm	5.9	66.0	193.8	72.6	165.1	28.7	M12	43.9	26.9	139.70/139.65	111.3
216	2-15/16	18.8	2.62	8.75	3.26	7.50	1.25	5/8	2.01	1.19	6.375/6.373	4.99
			66.5	222.3	82.8	190.5	31.8	M16	51.1	30.2	161.93/161.87	126.7
218	3-7/16	36.8	2.72	10.25	3.53	8.63	1.13	3/4	2.40	1.63	7.375/7.373	5.49
			69.1	260.4	89.7	219.1	28.6	M18	61.0	41.4	187.33/187.27	139.4

FEATURES/BENEFITS PAGE B6-3	HOW TO ORDER/NOMENCLATURE PAGE B6-5	SELECTION/DIMENSIONS PAGE B6-10	ACCESSORIES PAGE B6-62
--------------------------------	--	------------------------------------	---------------------------

SELECTION/DIMENSIONS



D-LOK® Ball Bearings DL NORMAL DUTY NARROW SLOT TAKE-UP BEARINGS



Series	Shaft Size	Standard	
		Part No.	Description
204	3/4	052626	NSTU-DL-012
	20mm	062738	NSTU-DL-20M
205	7/8	@	NSTU-DL-014
	15/16	@	NSTU-DL-015
	1	058994	NSTU-DL-100
	25mm	@	NSTU-DL-25M
206	1-1/8	@	NSTU-DL-102
	1-3/16	049467	NSTU-DL-103
	1-1/4	@	NSTU-DL-104S
	30mm	@	NSTU-DL-30M
207	1-1/4	074372	NSTU-DL-104
	1-3/8	068756	NSTU-DL-106
	1-7/16	053493	NSTU-DL-107
	35mm	@	NSTU-DL-35M
208	1-1/2	@	NSTU-DL-108
	40mm	@	NSTU-DL-40M
209	1-5/8	@	NSTU-DL-110L
	1-11/16	057543	NSTU-DL-111
	1-3/4	057658	NSTU-DL-112
	45mm	@	NSTU-DL-45M
210	1-15/16	059880	NSTU-DL-115
	2	067903	NSTU-DL-200
	50mm	@	NSTU-DL-50M
211	2	@	NSTU-DLM-200
	2-3/16	062281	NSTU-DL-203
212	55mm	@	NSTU-DL-55M
	2-1/4	@	NSTU-DLM-204
	2-7/16	064430	NSTU-DL-207
	60mm	068321	NSTU-DL-60M

@ Assembled to order.

FEATURES/BENEFITS PAGE B6-3	HOW TO ORDER/NOMENCLATURE PAGE B6-5	SELECTION/DIMENSIONS PAGE B6-10	ACCESSORIES PAGE B6-62
--------------------------------	--	------------------------------------	---------------------------

SELECTION/DIMENSIONS



D-LOK® Ball Bearings DL NORMAL DUTY NARROW SLOT TAKE-UP BEARINGS

Bearing Reference Guide

ULTRA KLEEN

E-Z KLEEN

Extreme Duty

Setscrew Ball Bearing

GRIP TIGHT

D-LOK Ball Bearing

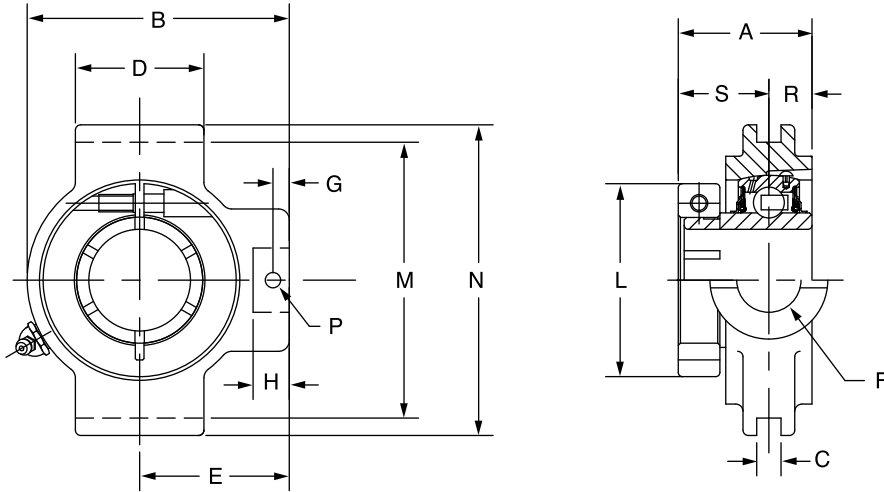
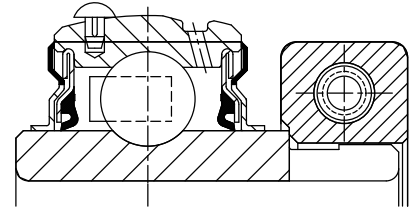
Series	Shaft Size	Weight lbs kg	Take-Up Frame Size	A	B	C	D	E	F Screw Dia.	G	H	J	L	M	N	P Pin Dia.	R	S
204	3/4 20mm	1.6 0.8	NS210	1.28 32.5	3.50 88.9	0.250 6.35	1.50 38.1	2.00 50.8	3/4 19.1	0.44 11.2	0.88 22.4	1.38 35.1	1.71 43.4	2.635/2.605 66.93/66.17	3.13 79.5	0.32 8.1	0.50 12.7	0.78 19.8
205	7/8	1.7	NS210	1.44	3.56	0.250	1.50	2.19	3/4	0.44	0.88	1.38	1.99	2.635/2.605	3.13	0.32	0.56	0.88
	15/16 1 25mm	1.6 1.5 0.7		36.6 90.4	6.35 38.1	55.6 19.1	11.2 22.4	35.1 50.5	66.93/66.17	79.5	8.1	14.2	22.4					
206	1-1/8	2.8	NS308	1.56	4.31	0.250	2.50	2.69	3/4	0.50	0.94	1.38	2.22	3.510/3.480	4.13	0.32	0.58	0.98
	1-3/16 1-1/4 30mm	2.7 2.6 1.2		39.6 109.5	6.35 63.5	68.3 19.1	12.7 23.9	35.1 56.4	89.15/88.39	104.9	8.1	14.7	24.9					
207	1-1/4	2.8	NS308	1.75	4.50	0.250	2.50	2.69	3/4	0.50	0.94	1.38	2.69	3.510/3.480	4.13	0.32	0.67	1.08
	1-3/8 1-7/16 35mm	2.6 2.5 1.2		44.5 114.3	6.35 63.5	68.3 19.1	12.7 23.9	35.1 68.3	89.15/88.39	104.9	8.1	17.0	27.4					
208	1-1/2 40mm	4.7 2.1	NS400	2.01 51.1	5.38 136.7	0.313 7.95	3.00 76.2	3.25 82.6	7/8 22.2	0.66 16.8	1.16 29.5	1.63 41.4	2.74 69.6	4.015/3.985 101.98/101.22	4.75 120.7	0.38 9.7	0.75 19.1	1.26 32.0
209	1-5/8	4.9	NS400	2.01	5.44	0.313	3.00	3.25	7/8	0.72	1.22	1.63	2.99	4.015/3.985	4.75	0.38	0.75	1.26
	1-11/16 1-3/4 45mm	4.8 4.7 2.1		51.1 138.2	7.95 76.2	82.6 22.2	18.3 31.0	41.4 75.9	101.98/101.22	120.7	9.7	19.1	32.0					
210	1-15/16	4.9	NS400	2.01	5.50	0.313	3.00	3.25	7/8	0.59	1.09	1.63	3.24	4.015/3.985	4.75	0.38	0.75	1.26
	2 50mm	4.8 2.2		51.1 139.7	7.95 76.2	82.6 22.2	15.0 27.7	41.4 82.3	101.98/101.22	120.7	9.7	19.1	32.0					
211	2	6.8	NS407	2.25	6.13	0.313	3.50	3.63	1	0.69	1.28	1.75	3.69	4.448/4.418	5.38	0.44	0.88	1.37
	2-3/16 55mm	6.6 3.0		57.2 155.7	7.95 88.9	92.2 25.4	17.5 32.5	44.5 93.7	112.98/112.22	136.7	11.2	22.4	34.8					
212	2-1/4	8.7	NS415	2.38	6.69	0.313	3.75	3.88	1	0.69	1.28	1.63	4.11	4.947/4.917	5.75	0.44	0.90	1.48
	2-7/16 60mm	8.4 4.9		60.5 169.9	7.95 95.3	98.6 25.4	17.5 32.5	41.4 104.4	125.65/124.89	146.1	11.2	22.9	37.6					

FEATURES/BENEFITS PAGE B6-3	HOW TO ORDER/NOMENCLATURE PAGE B6-5	SELECTION/DIMENSIONS PAGE B6-10	ACCESSORIES PAGE B6-62
--------------------------------	--	------------------------------------	---------------------------



SELECTION/DIMENSIONS

D-LOK® Ball Bearings DLM MEDIUM DUTY NARROW SLOT TAKE-UP BEARINGS



Series	Shaft Size	Part No.	Description
206	1	067726	NSTU-DLM-100
207	1-3/16	@	NSTU-DLM-103
	1-1/4	@	NSTU-DL-104
208	1-7/16	056779	NSTU-DLM-107
	35mm	@	NSTU-DLM-35M
209	1-1/2	@	NSTU-DLM-108
	1-5/8	@	NSTU-DL-110L
210	1-11/16	058081	NSTU-DLM-111
	1-3/4	@	NSTU-DLM-112
211	1-15/16	@	NSTU-DLM-115
	2	@	NSTU-DLM-200
212	2-3/16	074163	NSTU-DLM-203
	2-1/4	@	NSTU-DLM-204

@ Assembled to order

FEATURES/BENEFITS PAGE B6-3	HOW TO ORDER/NOMENCLATURE PAGE B6-5	SELECTION/DIMENSIONS PAGE B6-10	ACCESSORIES PAGE B6-62
--------------------------------	--	------------------------------------	---------------------------

SELECTION/DIMENSIONS



D-LOK® Ball Bearings DLM MEDIUM DUTY NARROW SLOT TAKE-UP BEARINGS

Bearing Reference Guide

ULTRA KLEEN

E-Z KLEEN

Extreme Duty

Setscrew Ball Bearing

GRIP TIGHT

D-LOK Ball Bearing

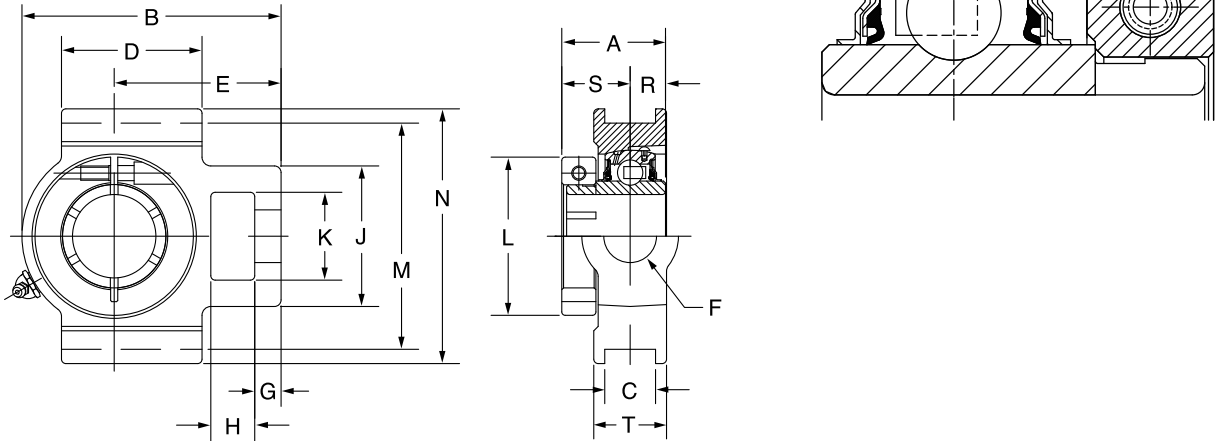
Series	Shaft Size	Weight lbs kg	Take-Up Frame Size	A	B	C	D	E	F Screw Dia.	G	H	J	L	M	N	P Pin Dia.	R	S
206	1	2.6	NS308	1.56 39.6	4.31 109.5	0.250 6.35	2.50 63.5	2.69 68.3	3/4 19.1	0.50 12.7	0.94 23.9	1.38 35.1	2.22 56.4	3.510/3.480 89.15/88.39	4.13 104.9	0.32 8.1	0.58 14.7	0.98 24.9
207	1-3/16	2.8	NS308	1.75	4.50	0.250	2.50	2.69	3/4	0.50	0.94	1.38	2.69	3.510/3.480	4.13	0.32	0.67	1.08
	1-1/4	2.8		44.5	114.3	6.35	63.5	68.3	19.1	12.7	23.9	35.1	68.3	89.15/88.39	104.9	8.1	17.0	27.4
208	1-7/16	4.7	NS400	2.01	5.38	0.313	3.00	3.25	7/8	0.66	1.16	1.63	2.74	4.015/3.985	4.75	0.38	0.75	1.26
	35mm	2.1		51.1	136.7	7.95	76.2	82.6	22.2	16.8	29.5	41.4	69.6	101.98/101.22	120.7	9.7	19.1	32.0
209	1-1/2	4.9	NS400	2.01	5.44	0.313	3.00	3.25	7/8	0.72	1.22	1.63	2.99	4.015/3.985	4.75	0.38	0.75	1.26
	1-5/8	4.8		51.1	138.2	7.95	76.2	82.6	22.2	18.3	31.0	41.4	75.9	101.98/101.22	120.7	9.7	19.1	32.0
210	1-11/16	4.9	NS400	2.01	5.50	0.313	3.00	3.25	7/8	0.59	1.09	1.63	3.24	4.015/3.985	4.75	0.38	0.75	1.26
	1-3/4	4.8		51.1	139.7	7.95	76.2	82.6	22.2	15.0	27.7	41.4	82.3	101.98/101.22	120.7	9.7	19.1	32.0
211	1-15/16	6.8	NS407	2.25	6.13	0.313	3.50	3.63	1	0.69	1.28	1.75	3.69	4.448/4.418	5.38	0.44	0.88	1.37
	2	6.8		57.2	155.7	7.95	88.9	92.2	25.4	17.5	32.5	44.5	93.7	112.98/112.22	136.7	11.2	22.4	34.8
212	2-3/16	8.7	NS415	2.38	6.69	0.313	3.75	3.88	1	0.69	1.28	1.63	4.11	4.947/4.917	5.75	0.44	0.90	1.48
	2-1/4	8.7		60.5	169.9	7.95	95.3	98.6	25.4	17.5	32.5	41.4	104.4	125.65/124.89	146.1	11.2	22.9	37.6

FEATURES/BENEFITS PAGE B6-3	HOW TO ORDER/NOMENCLATURE PAGE B6-5	SELECTION/DIMENSIONS PAGE B6-10	ACCESSORIES PAGE B6-62
--------------------------------	--	------------------------------------	---------------------------

SELECTION/DIMENSIONS



D-LOK® Ball Bearings DL NORMAL DUTY WIDE SLOT TAKE-UP BEARINGS



Series	Shaft Size	Standard	
		Part No.	Description
204	3/4	076777	WSTU-DL-012
	20mm	074308	WSTU-DL-20M
205	7/8	@	WSTU-DL-014
	15/16	064698	WSTU-DL-015
	1	056605	WSTU-DL-100
	25mm	@	WSTU-DL-25M
206	1-1/8	@	WSTU-DL-102
	1-3/16	057770	WSTU-DL-103
	1-1/4	068650	WSTU-DL-104S
	30mm	049496	WSTU-DL-30M
207	1-1/4	056638	WSTU-DL-104
	1-3/8	062184	WSTU-DL-106
	1-7/16	053517	WSTU-DL-107
	35mm	062773	WSTU-DL-35M-NL
208	1-1/2	052546	WSTU-DL-108
	40mm	@	WSTU-DL-40M
209	1-5/8	059593	WSTU-DL-110L
	1-11/16	@	WSTU-DL-111
	1-3/4	068389	WSTU-DL-112
	45mm	@	WSTU-DL-45M
210	1-15/16	052722	WSTU-DL-115
	2	059704	WSTU-DL-200
	50mm	075153	WSTU-DL-50M
211	2	058647	WSTU-DLM-200
	2-3/16	062306	WSTU-DL-203
	55mm	@	WSTU-DL-55M
212	2-1/4	062881	WSTU-DLM-204
	2-7/16	049747	WSTU-DL-207
	60mm	@	WSTU-DL-60M
214	2-1/2	064300	WSTU-DLM-208
	2-11/16	@	WSTU-DL-211
	70mm	@	WSTU-DL-70M
215	2-15/16	064890	WSTU-DL-215

@ Assembled to order

FEATURES/BENEFITS PAGE B6-3	HOW TO ORDER/NOMENCLATURE PAGE B6-5	SELECTION/DIMENSIONS PAGE B6-10	ACCESSORIES PAGE B6-62
--------------------------------	--	------------------------------------	---------------------------

SELECTION/DIMENSIONS



D-LOK® Ball Bearings DL NORMAL DUTY WIDE SLOT TAKE-UP BEARINGS

Series	Shaft Size	Weight lbs kg	Take-Up Frame Size	A	B	C	D	E	F Screw Dia.	G	H	J	K	L	M	N	R	S	T
204	3/4	1.9	WS300	1.28	3.69	0.531	2.00	2.38	5/8	0.38	0.63	2.00	1.25	1.71	2.985/3.015	3.63	0.50	0.78	1.38
	20mm	0.9		32.5	93.7	13.49	50.8	60.5	15.9	9.7	16.0	50.8	31.8	43.4	75.82/76.58	92.2	12.7	19.8	35.1
205	7/8	2.2	WS300	1.44	3.81	0.531	2.00	2.44	5/8	0.38	0.63	2.00	1.31	1.99	2.985/3.015	3.63	0.56	0.88	1.38
	15/16	2.1		36.6	96.8	13.49	50.8	62.0	15.9	9.7	16.0	50.8	33.3	50.5	75.82/76.58	92.2	14.2	22.4	35.1
	1	2.0																	
206	25mm	1.0																	
	1-1/8	2.7	WS308	1.56	4.38	0.531	2.25	2.75	3/4	0.38	0.63	2.19	1.44	2.22	3.480/3.510	4.13	0.58	0.98	1.63
	1-3/16	2.6		39.6	111.3	13.49	57.2	69.9	19.1	9.7	16.0	55.6	36.6	56.4	88.39/89.15	104.9	14.7	24.9	41.3
1-1/4	2.5																		
207	30mm	1.3																	
	1-1/4	3.7	WS308	1.75	4.87	0.531	2.50	3.06	3/4	0.50	0.63	2.50	1.44	2.69	3.480/3.510	4.13	0.67	1.08	1.63
	1-3/8	3.6		44.5	123.7	13.49	63.5	77.7	19.1	12.7	16.0	63.5	36.6	68.3	88.39/89.15	104.9	17.0	27.4	41.3
1-7/16	3.5																		
208	35mm	1.6																	
	1-1/2	6.1	WS400	2.01	5.69	0.688	3.25	3.50	1	0.63	0.75	3.25	1.94	2.74	3.985/4.015	4.5	0.75	1.26	1.94
	40mm	2.8		51.1	144.5	17.48	82.6	88.9	25.4	16.0	19.1	82.6	49.3	69.6	101.22/101.98	114.3	19.1	32.0	49.3
209	1-5/8	6.1	WS400	2.01	5.63	0.688	3.25	3.44	1	0.63	0.75	3.25	1.94	2.99	3.985/4.015	4.75	0.75	1.26	1.94
	1-11/16	6.0		51.1	143.0	17.48	82.6	87.4	25.4	16.0	19.1	82.6	49.3	75.9	101.22/101.98	120.7	19.1	32.0	49.3
	1-3/4	5.9																	
210	45mm	2.7																	
	1-15/16	6.4	WS400	2.01	5.82	0.688	3.38	3.56	1	0.63	0.75	3.25	1.94	3.24	3.985/4.015	4.75	0.75	1.26	1.94
	2	6.3		51.1	147.8	17.48	85.9	90.4	25.4	16.0	19.1	82.6	49.3	82.3	101.22/101.98	120.7	19.1	32.0	49.3
50mm	2.9																		
211	2	10.1	WS502	2.25	6.69	1.063	3.75	4.19	1-1/4	0.75	1.00	4.00	2.50	3.69	5.110/5.140	5.88	0.88	1.37	2.50
	2-3/16	10.0		57.2	169.9	27.00	95.3	106.4	31.8	19.1	25.4	101.6	63.5	93.7	129.79/130.56	149.4	22.4	34.8	63.5
	55mm	4.5																	
212	2-1/4	11.2	WS502	2.38	7.50	1.063	4.00	4.69	1-1/4	0.75	1.25	4.00	2.50	4.11	5.110/5.140	5.88	0.90	1.48	2.50
	2-7/16	10.8		60.5	190.5	27.00	101.6	119.1	31.8	19.1	31.8	101.6	63.5	104.4	129.79/130.56	149.4	22.9	37.6	63.5
	60mm	4.9																	
214	2-1/2	18.0	WS515	2.60	8.56	1.063	4.75	5.38	1-1/2	0.81	1.25	4.38	2.75	4.38	5.923/5.953	6.56	1.06	1.54	2.75
	2-11/16	17.8		66.0	217.4	27.00	120.7	136.7	38.1	20.6	31.8	111.3	69.9	111.3	150.44/151.21	166.6	26.9	39.1	69.9
	70mm	8.2																	
215	2-15/16	18.9	WS515	2.40	9.13	1.063	4.75	5.50	1-1/2	0.81	1.25	4.38	2.75	4.69	5.923/5.953	6.69	0.82	1.58	2.75
				61.0	231.9	27.00	120.7	139.7	38.1	20.6	31.8	111.3	69.9	119.1	150.44/151.21	169.9	20.8	40.1	69.9

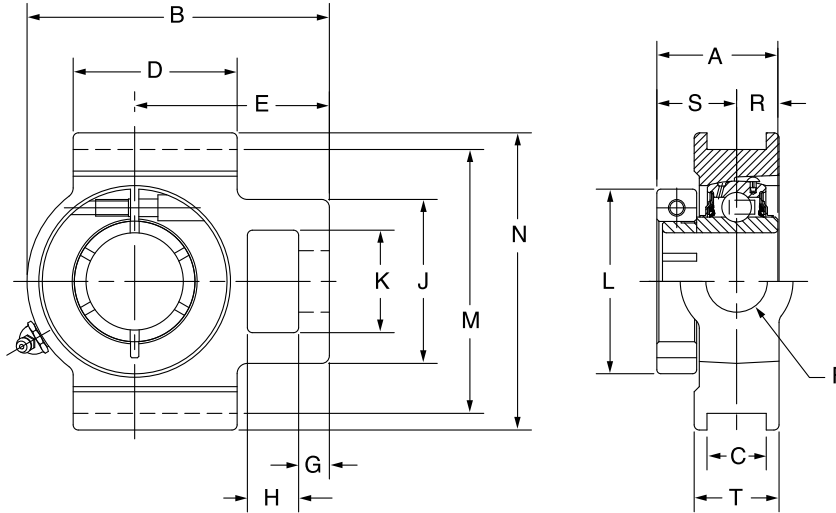
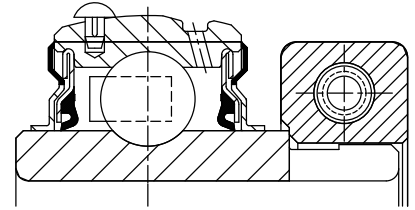
FEATURES/BENEFITS PAGE B6-3	HOW TO ORDER/NOMENCLATURE PAGE B6-5	SELECTION/DIMENSIONS PAGE B6-10	ACCESSORIES PAGE B6-62
--------------------------------	--	------------------------------------	---------------------------

Bearing Reference Guide
 ULTRA KLEEN
 E-Z KLEEN
 Extreme Duty
 Setscrew Ball Bearing
 GRIP TIGHT
 D-LOK Ball Bearing



SELECTION/DIMENSIONS

D-LOK® Ball Bearings DLM MEDIUM DUTY WIDE SLOT TAKE-UP BEARINGS



Series	Shaft Size	Standard	
		Part No.	Description
206	1	049696	WSTU-DLM-100
207	1-3/16	068232	WSTU-DLM-103
	1-1/4	056638	WSTU-DL-104
208	1-7/16	062702	WSTU-DLM-107
	35mm	054390	WSTU-DLM-35M
209	1-1/2	@	WSTU-DLM-108
	1-5/8	@	WSTU-DL-110L
210	1-11/16	054411	WSTU-DLM-111
	1-3/4	@	WSTU-DLM-112
211	1-15/16	057266	WSTU-DLM-115
	2	058347	WSTU-DLM-200
212	2-3/16	065569	WSTU-DLM-203
	2-1/4	062881	WSTU-DLM-204
214	2-7/16	062285	WSTU-DLM-207
	2-1/2	064300	WSTU-DLM-208
	65mm	@	WSTU-DLM-65M
215	2-11/16	@	WSTU-DLM-211
216	2-15/16	059758	WSTU-DLM-215

@ Assembled to order

SELECTION/DIMENSIONS



D-LOK® Ball Bearings DLM MEDIUM DUTY WIDE SLOT TAKE-UP BEARINGS

Bearing Reference Guide

ULTRA KLEEN

E-Z KLEEN

Extreme Duty

Setscrew Ball Bearing

GRIP TIGHT

D-LOK Ball Bearing

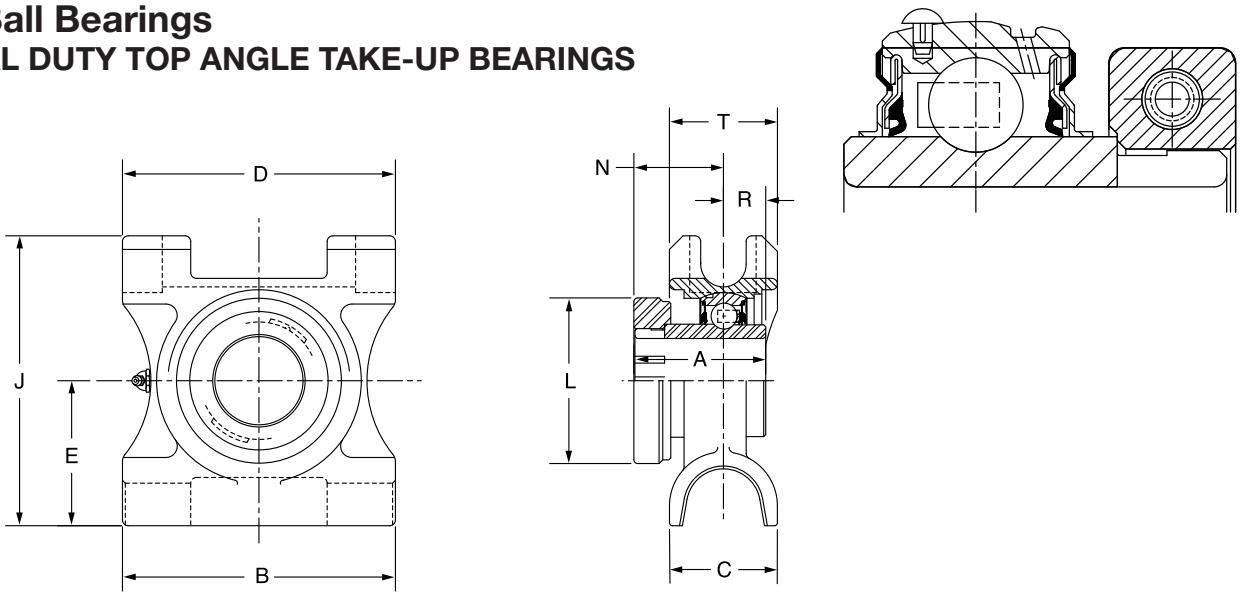
Series	Shaft Size	Weight lbs kg	Take-Up Frame Size	A	B	C	D	E	F Screw Dia.	G	H	J	K	L	M	N	R	S	T
206	1	4.1	WS308	1.56 39.6	4.38 111.3	0.531 13.49	2.25 57.2	2.75 69.9	3/4 19.1	0.38 9.7	0.63 16.0	2.19 55.6	1.44 36.6	2.22 56.4	3.480/3.510 88.39/89.15	4.13 104.9	0.58 14.7	0.98 24.9	1.63 41.3
207	1-3/16 1-1/4	5.1 3.7	WS308	1.75 44.5	4.87 123.7	0.531 13.49	2.50 63.5	3.06 77.7	3/4 19.1	0.50 12.7	0.63 16.0	2.50 63.5	1.44 36.6	2.69 68.3	3.480/3.510 88.39/89.15	4.13 104.9	0.67 17.0	1.08 27.4	1.63 41.3
208	1-7/16 35mm	7.3 3.5	WS400	2.01 51.1	5.69 144.5	0.688 17.48	3.25 82.6	3.50 88.9	1 25.4	0.63 16.0	0.75 19.1	3.25 82.6	1.94 49.3	2.74 69.6	3.985/4.015 101.22/101.98	4.50 114.3	0.75 19.1	1.26 32.0	1.94 49.3
209	1-1/2 1-5/8	7.2 6.1	WS400	2.01 51.1	5.63 143.0	0.688 17.48	3.25 82.6	3.44 87.4	1 25.4	0.63 16.0	0.75 19.1	3.25 82.6	1.94 49.3	2.99 75.9	3.985/4.015 101.22/101.98	4.75 120.7	0.75 19.1	1.26 32.0	1.94 49.3
210	1-11/16 1-3/4	7.7 7.6	WS400	2.01 51.1	5.82 147.8	0.688 17.48	3.38 85.9	3.56 90.4	1 25.4	0.63 16.0	0.75 19.1	3.25 82.6	1.94 49.3	3.24 82.3	3.985/4.015 101.22/101.98	4.75 120.7	0.75 19.1	1.26 32.0	1.94 49.3
211	1-15/16 2	11.2 11.3	WS502	2.25 57.2	6.69 169.9	1.063 27.00	3.75 95.3	4.19 106.4	1-1/4 31.8	0.75 19.1	1.00 25.4	4.00 101.6	2.50 63.5	3.69 93.7	5.110/5.140 129.79/130.56	5.88 149.4	0.88 22.4	1.37 34.8	2.50 63.5
212	2-3/16 2-1/4	12.6 12.4	WS502	2.38 60.5	7.50 190.5	1.063 27.00	4.00 101.6	4.69 119.1	1-1/4 31.8	0.75 19.1	1.25 31.8	4.00 101.6	2.50 63.5	4.11 104.4	5.110/5.140 129.79/130.56	5.88 149.4	0.90 22.9	1.48 37.6	2.50 63.5
214	2-7/16 2-1/2 65mm	19.4 19.2 9.3	WS515	2.60 66.0	8.56 217.4	1.063 27.00	4.75 120.7	5.38 136.7	1-1/2 38.1	0.81 20.6	1.25 31.8	4.38 111.3	2.75 69.9	4.38 111.3	5.923/5.953 150.44/151.21	6.56 166.6	1.06 26.9	1.54 39.1	2.75 69.9
215	2-11/16	20.2	WS515	2.40 61.0	9.13 231.9	1.063 27.00	4.75 120.7	5.50 139.7	1-1/2 38.1	0.81 20.6	1.25 31.8	4.38 111.3	2.75 69.9	4.69 119.1	5.923/5.953 150.44/151.21	6.69 169.9	0.82 20.8	1.58 40.1	2.75 69.9
216	2-15/16	22.9	WS608	2.62 66.5	9.13 231.9	1.063 27.00	4.75 120.7	2.38 60.5	1-1/2 38.1	0.81 20.6	1.25 31.8	4.38 111.3	2.75 69.9	4.99 126.7	6.485/6.515 164.72/165.48	7.25 184.2	0.88 22.4	1.74 44.2	2.75 69.9

FEATURES/BENEFITS PAGE B6-3	HOW TO ORDER/NOMENCLATURE PAGE B6-5	SELECTION/DIMENSIONS PAGE B6-10	ACCESSORIES PAGE B6-62
--------------------------------	--	------------------------------------	---------------------------

SELECTION/DIMENSIONS



D-LOK® Ball Bearings DL NORMAL DUTY TOP ANGLE TAKE-UP BEARINGS



Series	Shaft Size	Part No.	Description
210	1-15/16	074254	TP-DL-115
	2	@	TP-DL-200
211	2	@	TP-DLM-200
	2-3/16	@	TP-DL-203
212	2-1/4	062880	TP-DLM-204
	2-7/16	073687	TP-DL-207
214	2-1/2	@	TP-DLM-208
	2-11/16	@	TP-DL-211
215	2-15/16	049415	TP-DL-215

@ Assembled to order

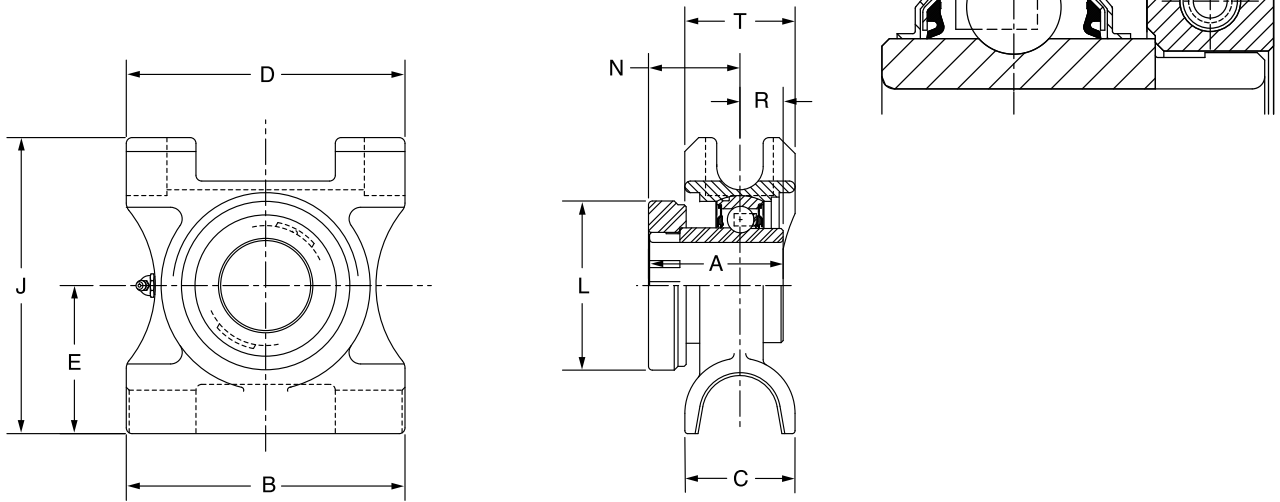
Series	Shaft Size	Weight lbs	Take-Up Frame Size	A	B	C	D	E	J	L	N	R	T
210	1-15/16	11.4	TP10	2.01	6.50	2.38	6.00	3.25	6.38	3.24	1.26	0.75	2.38
	2	11.2		51.1	165.1	60.5	152.4	82.6	162.1	82.3	32.0	19.1	60.5
211	2	13.7	TP20	2.25	7.00	2.50	6.75	3.38	7.88	3.69	1.37	0.88	2.38
	2-3/16	13.2		57.2	177.8	63.5	171.5	85.9	200.2	93.7	34.8	22.4	60.5
212	2-1/4	17.2	TP30	2.38	7.50	2.75	7.00	3.50	7.44	4.11	1.48	0.90	2.75
	2-7/16	17.1		60.5	190.5	69.9	177.8	88.9	189.0	104.4	37.6	22.9	69.9
214	2-1/2	22.5	TP40	2.60	8.50	2.50	8.00	4.00	8.31	4.38	1.54	1.06	2.75
	2-11/16	22.3		66.0	215.9	63.5	203.2	101.6	211.1	111.3	39.1	26.9	69.9
215	2-15/16	22.4	TP40	2.40	8.50	2.50	8.00	4.00	8.31	4.69	1.58	0.82	2.75
				61.0	215.9	63.5	203.2	101.6	211.1	119.1	40.1	20.8	69.9

FEATURES/BENEFITS PAGE B6-3	HOW TO ORDER/NOMENCLATURE PAGE B6-5	SELECTION/DIMENSIONS PAGE B6-10	ACCESSORIES PAGE B6-62
--------------------------------	--	------------------------------------	---------------------------

SELECTION/DIMENSIONS



D-LOK® Ball Bearings DLM MEDIUM DUTY TOP ANGLE TAKE-UP BEARINGS



Series	Shaft Size	Part No.	Description
210	1-11/16	@	TP-DLM-111
	1-3/4	@	TP-DLM-112
211	1-15/16	075286	TP-DLM-115
	2	@	TP-DLM-200
212	2-3/16	@	TP-DLM-203
	2-1/4	062880	TP-DLM-204
214	2-7/16	049813	TP-DLM-207
	2-1/2	@	TB-DLM-208
215	2-11/16	@	TP-DLM-211
216	2-15/16	049855	TP-DLM-215
218	3-7/16	@	TP-DLM-307

@ Assembled to order

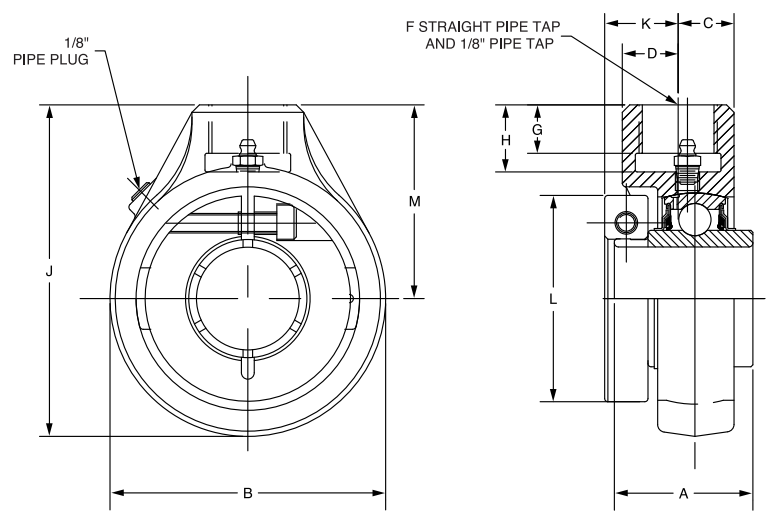
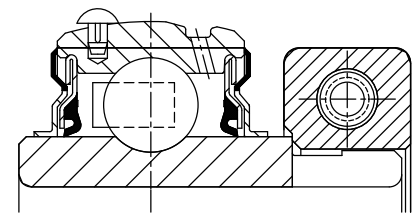
Series	Shaft Size	Weight lbs	Take-Up Frame Size	A	B	C	D	E	J	L	N	R	T
210	1-11/16	11.6	TP10	2.01	6.50	2.38	6.00	3.25	6.38	3.24	1.26	0.75	2.38
	1-3/4	11.2		51.1	165.1	60.5	152.4	82.6	162.1	82.3	32.0	19.1	60.5
211	1-15/16	14.0	TP20	2.25	7.00	2.50	6.75	3.38	7.88	3.69	1.37	0.88	2.38
	2	13.7		57.2	177.8	63.5	171.5	85.9	200.2	93.7	34.8	22.4	60.5
212	2-3/16	17.4	TP30	2.38	7.50	2.75	7.00	3.50	7.44	4.11	1.48	0.90	2.75
	2-1/4	17.2		60.5	190.5	69.9	177.8	88.9	189.0	104.4	37.6	22.9	69.9
214	2-7/16	22.9	TP40	2.60	8.50	2.50	8.00	4.00	8.31	4.38	1.54	1.06	2.75
	2-1/2	22.5		66.0	215.9	63.5	203.2	101.6	211.1	111.3	39.1	26.9	69.9
215	2-11/16	26.2	TP40	2.40	8.50	2.50	8.00	4.00	8.31	4.69	1.58	0.82	2.75
		61.0		215.9	63.5	203.2	101.6	211.1	119.1	40.1	20.8	69.9	
216	2-15/16	31.0	TP50	2.62	9.50	2.75	9.00	4.50	9.63	4.99	1.74	0.88	3.13
		66.5		241.3	69.9	228.6	114.3	244.6	126.7	44.2	22.4	79.5	
218	3-7/16	41.4	TP50	2.72	11.00	3.13	10.50	5.50	11.00	5.49	1.80	0.92	3.13
		69.1		279.4	79.5	266.7	139.7	279.4	139.4	45.7	23.4	79.5	

FEATURES/BENEFITS PAGE B6-3	HOW TO ORDER/NOMENCLATURE PAGE B6-5	SELECTION/DIMENSIONS PAGE B6-10	ACCESSORIES PAGE B6-62
--------------------------------	--	------------------------------------	---------------------------

SELECTION/DIMENSIONS



D-LOK® Ball Bearings DL NORMAL DUTY SCREW CONVEYOR HANGER BEARINGS



Series	Shaft Size	Part No.	Description
206	1	@	SCHB-DL-100
	1-1/8	@	SCHB-DL-102
207	1-3/16	@	SCHB-DL-103
	1-1/4	@	SCHB-DL-104
	1-3/8	073069	SCHB-DL-106
208	1-7/16	@	SCHB-DL-107
	1-1/2	068608	SCHB-DL-108
210	1-11/16	@	SCHB-DL-111
	1-3/4	@	SCHB-DL-112
	1-15/16	062443	SCHB-DL-115
	2	@	SCHB-DL-200
212	2-3/16	@	SCHB-DL-203
	2-1/4	@	SCHB-DL-204
	2-7/16	049781	SCHB-DL-207
216	2-15/16	@	SCHB-DL-215
218	3-7/16	@	SCHB-DL-307

@ Assembled to order

Series	Shaft Size	Weight lbs.	A	B	C	D	F* (NPSM)	G	H	J	K	L	M
206	1	3.0	1.56	3.13	0.53	1.03	3/4-14	0.75	0.94	4.06	0.93	2.22	2.50
	1-1/8	2.7											
207	1-3/16	3.4	1.75	3.88	0.82	0.82	3/4-14	0.63	0.94	4.69	1.02	2.69	2.75
	1-1/4	3.3											
	1-3/8	3.1											
208	1-7/16	4.0	2.01	4.00	0.83	0.83	3/4-14	0.63	0.94	4.88	1.09	2.74	2.88
	1-1/2	3.6											
210	1-11/16	5.4	2.01	4.63	0.94	1.78	1 - 11-1/2	0.81	1.13	5.56	0.98	3.24	3.25
	1-3/4	5.3											
	1-15/16	5.2											
	2	5.0											
212	2-3/16	9.6	2.38	5.50	1.16	1.78	1-1/4 - 11-1/2	1.13	1.44	6.75	1.13	4.11	4.00
	2-1/4	9.4											
	2-7/16	9.2											
216	2-15/16	16.9	2.62	7.00	1.36	1.45	1-1/2 - 11-1/2	1.25	1.69	8.38	1.41	4.99	4.88
218	3-7/16	23.0	2.72	8.31	1.76	1.74	2 - 11-1/2	1.75	2.19	10.16	1.58	5.49	6.00

Note: Sizes 1, 1-3/16, 1-7/16, 1-11/16, 1-3/4, 2-3/16, 2-1/4, 2-15/16, 3, 3-7/16, & 3-1/2 use DLM inserts

* Use straight thread for the pipe. Bearing can be secured with a heavy locknut.

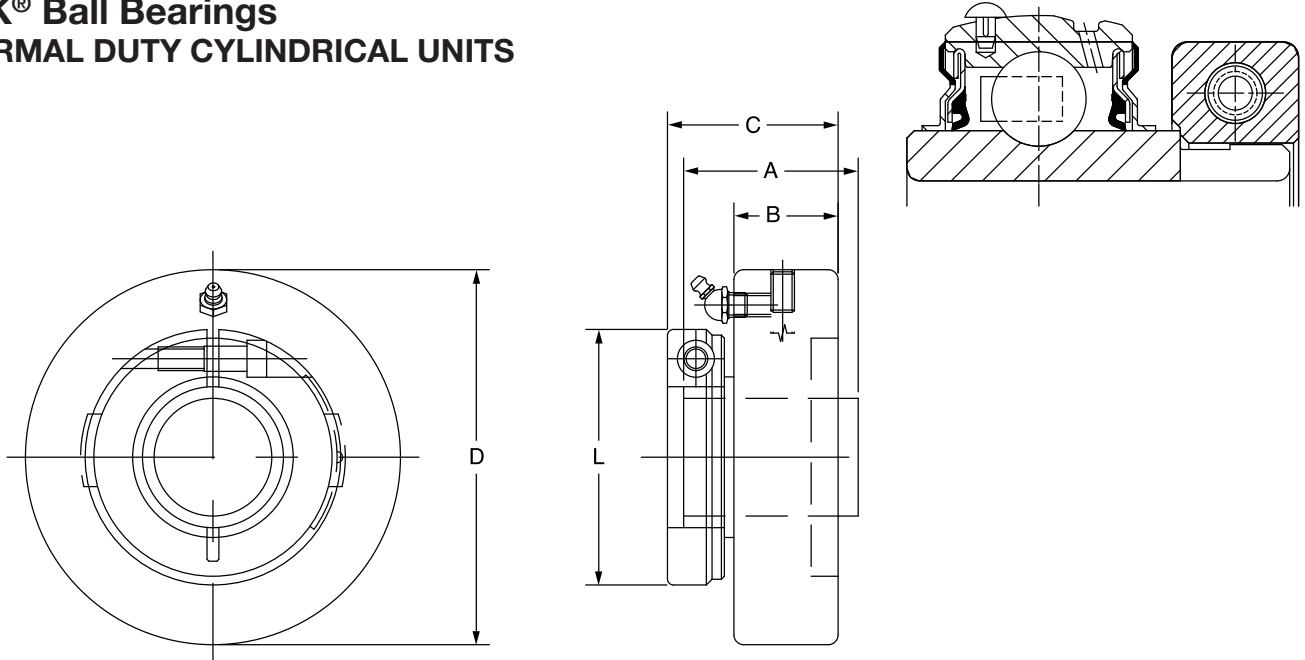
Pipe plug and lube fitting are factory installed and may be reversed from position shown.

FEATURES/BENEFITS PAGE B6-3	HOW TO ORDER/NOMENCLATURE PAGE B6-5	SELECTION/DIMENSIONS PAGE B6-10	ACCESSORIES PAGE B6-62
--------------------------------	--	------------------------------------	---------------------------

SELECTION/DIMENSIONS



D-LOK® Ball Bearings DL NORMAL DUTY CYLINDRICAL UNITS



Series	Shaft Size	Part No.	Description
205	7/8	@	CYL-DL-014*
	15/16	@	CYL-DL-015*
	1	049430	CYL-DL-100*
206	1-1/8	059754	CYL-DL-102
	1-3/16	073332	CYL-DL-103
	1-1/4	@	CYL-DL-104S
	30mm	056468	<i>CYL-DL-30M</i>
207	1-1/4	@	CYL-DL-104
	1-3/8	@	CYL-DL-106
	1-7/16	074938	CYL-DL-107

* 45 degree lube fitting is used in place of standard

Series	Shaft Size	Weight lbs.	A	B	C	D	L
205	7/8	1.4					
	15/16	1.3	1.44	0.84	1.29	3.125/3.123	1.99
	1	1.2					
206	1-1/8	2.1	1.56	0.94	1.42	3.500/3.498	2.22
	1-3/16	2.0					
	1-1/4	1.9					
	30mm	6.5	39.6	23.9	36.1	88.90/88.85	56.4
207	1-1/4	2.8					
	1-3/8	2.6	1.75	1.06	1.58	3.875/3.873	2.69
	1-7/16	2.5					

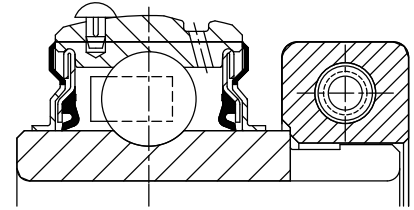
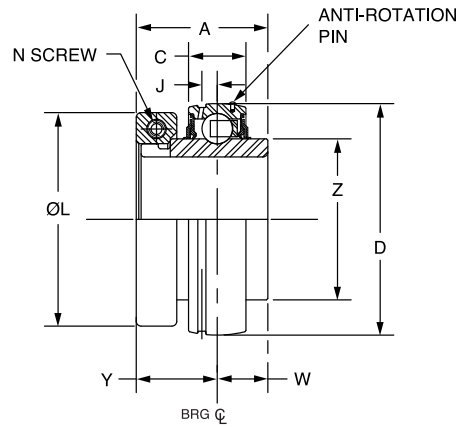
To prevent the housing from rotating in the machine frame, tap a hole on the joint between the housing O.D. and the machine frame bore and lock with a setscrew

FEATURES/BENEFITS PAGE B6-3	HOW TO ORDER/NOMENCLATURE PAGE B6-5	SELECTION/DIMENSIONS PAGE B6-10	ACCESSORIES PAGE B6-62
--------------------------------	--	------------------------------------	---------------------------

SELECTION/DIMENSIONS



D-LOK® Ball Bearings DL NORMAL DUTY BEARING INSERTS



Series	Shaft Size	Standard Insert		Corrosion Resistant Insert	
		Part No.	Description	Part No.	Description
204	3/4	128646	INS-DL-012	126685	INS-DL-012-CR
	20mm	126629	INS-DL-20M	126693	INS-DL-20M-CR
205	7/8	128684	INS-DL-014	@	INS-DL-014-CR*
	15/16	128647	INS-DL-015	@	INS-DL-015-CR*
	1	128648	INS-DL-100	126686	INS-DL-100-CR
	25mm	126630	INS-DL-25M	126694	INS-DL-25M-CR
206	1-1/8	128649	INS-DL-102	059869	INS-DL-102-CR*
	1-3/16	128650	INS-DL-103	126687	INS-DL-103-CR
	1-1/4	128651	INS-DL-104S	126688	INS-DL-104S-CR
	30mm	126631	INS-DL-30M	126695	INS-DL-30M-CR
207	1-1/4	128652	INS-DL-104	126689	INS-DL-104-CR
	1-3/8	128653	INS-DL-106	075728	INS-DL-106-CR*
	1-7/16	128654	INS-DL-107	052093	INS-DL-107-CR
	35mm	126632	INS-DL-35M	126696	INS-DL-35M-CR
208	1-1/2	128655	INS-DL-108	126690	INS-DL-108-CR
	40mm	126633	INS-DL-40M	126697	INS-DL-40M-CR
209	1-5/8	128656	INS-DL-110L	@	INS-DL-110L-CR*
	1-11/16	128657	INS-DL-111	126691	INS-DL-111-CR
	1-3/4	128658	INS-DL-112	075524	INS-DL-112-CR*
	45mm	126634	INS-DL-45M	126698	INS-DL-45M-CR
210	1-15/16	128659	INS-DL-115	126692	INS-DL-115-CR
	2	128660	INS-DL-200	053986	INS-DL-200-CR*
211	50mm	126635	INS-DL-50M	126699	INS-DL-50M-CR
	2	128661	INS-DLM-200	@	INS-DLM-200-CR*
	2-3/16	128663	INS-DL-203	@	INS-DL-203-CR*
212	55mm	126636	INS-DL-55M	@	INS-DL-55M-CR*
	2-1/4	128664	INS-DLM-204	@	INS-DLM-204-CR*
	2-7/16	128666	INS-DL-207	062176	INS-DL-207-CR*
214	60mm	126637	INS-DL-60M	@	INS-DL-60M-CR*
	2-1/2	128677	INS-DLM-208	068008	INS-DLM-208-CR*
	2-11/16	128667	INS-DL-211	@	INS-DL-211-CR*
215	70mm	126638	INS-DL-70M	@	INS-DL-70M-CR*
	2-15/16	068540	INS-DL-215	@	INS-DL-215-CR*

@ Assembled to order

* 20 piece minimum order

FEATURES/BENEFITS PAGE B6-3	HOW TO ORDER/NOMENCLATURE PAGE B6-5	SELECTION/DIMENSIONS PAGE B6-10	ACCESSORIES PAGE B6-62
--------------------------------	--	------------------------------------	---------------------------

SELECTION/DIMENSIONS



D-LOK® Ball Bearings DL NORMAL DUTY BEARING INSERTS

Bearing Reference Guide

ULTRA KLEEN

E-Z KLEEN

Extreme Duty

Setscrew Ball Bearing

GRIP TIGHT

D-LOK Ball Bearing

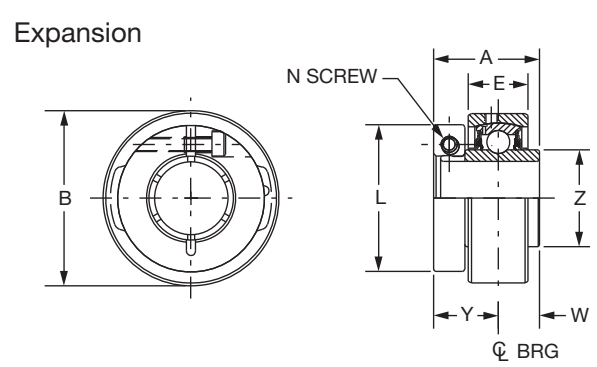
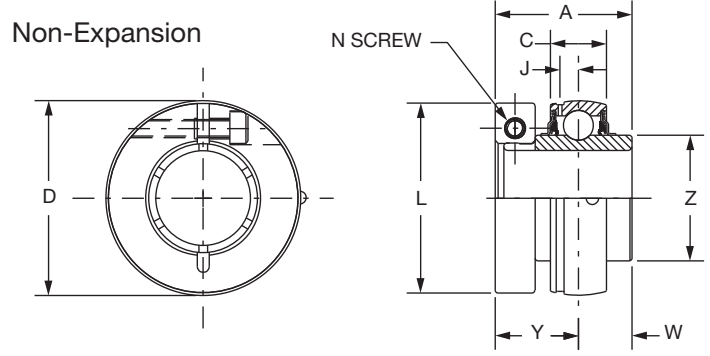
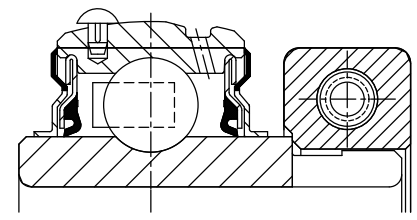
Series	Shaft Size	Weight lbs. kg	A	C	D	J	L	N Screw (UNF)	W	Y	Z
204	3/4	0.6	1.28	0.58	1.8504	0.15	1.71	#8-32	0.50	0.78	1.12
	20mm	0.3	32.5	14.7	47.000	3.8	43.4	M4x6	12.7	19.8	28.4
205	7/8	0.8	1.44	0.59	2.0472	0.16	1.99	#10-32	0.56	0.88	1.32
	15/16	0.8									
	1	0.8									
206	25mm	0.4	36.6	15.0	51.999	4.1	50.5	M5x20	14.2	22.4	33.5
	1-1/8	1.2	1.56	0.69	2.4409	0.16	2.22	#10-32	0.58	0.98	1.57
	1-3/16	1.2									
	1-1/4	1.1									
207	30mm	0.6	39.6	17.5	61.999	4.1	56.4	M5x20	14.7	24.9	39.9
	1-1/4	1.8	1.75	0.75	2.8346	0.20	2.69	1/4-28	0.67	1.08	1.84
	1-3/8	1.8									
	1-7/16	1.7									
208	35mm	0.8	44.5	19.1	71.999	5.1	68.3	M6x20	17.0	27.4	46.7
	1-1/2	2.2	2.01	0.87	3.1496	0.22	2.74	1/4-28	0.75	1.26	2.05
	40mm	1.0	51.1	22.1	80.000	5.6	69.6	M6x20	19.1	32.0	52.1
209	1-5/8	2.5	2.01	0.87	3.3465	0.25	2.99	1/4-28	0.75	1.26	2.22
	1-11/16	2.5									
	1-3/4	2.5									
	45mm	1.2	51.1	22.1	85.001	6.4	75.9	M6x20	19.1	32.0	56.4
210	1-15/16	3.0	2.01	0.87	3.5433	0.25	3.24	1/4-28	0.75	1.26	2.43
	2	3.0									
	50mm	1.4	51.1	22.1	90.000	6.4	82.3	M6x20	19.1	32.0	61.7
211	2	3.6	2.25	0.87	3.5433	0.25	3.69	5/16-24	0.88	1.37	2.71
	2-3/16	3.4									
	55mm	1.6	57.2	22.1	90.000	6.4	93.7	M8x20	22.4	34.8	68.8
212	2-1/4	4.8	2.38	1.02	4.3307	0.25	4.11	5/16-24	0.90	1.48	2.97
	2-7/16	4.8									
	60mm	2.2	60.5	25.9	110.000	6.4	104.4	M8x25	22.9	37.6	75.4
214	2-1/2	5.4	2.60	1.10	4.9213	0.26	4.38	5/16-24	1.06	1.54	3.31
	2-11/16	5.0									
	70mm	2.5	66.0	27.9	125.001	6.6	111.3	M8x25	26.9	39.1	84.1
215	2-15/16	5.9	2.40	1.14	5.1181	0.28	4.69	5/16-24	0.82	1.58	3.62

FEATURES/BENEFITS PAGE B6-3	HOW TO ORDER/NOMENCLATURE PAGE B6-5	SELECTION/DIMENSIONS PAGE B6-10	ACCESSORIES PAGE B6-62
--------------------------------	--	------------------------------------	---------------------------

SELECTION/DIMENSIONS



D-LOK® Ball Bearings DLH & DLH-E NON-EXPANSION & EXPANSION NORMAL DUTY BEARINGS INSERTS



Series	Shaft Size	Expansion Insert		Non-Expansion Insert	
		Part No.	Description	Part No.	Description
206	1	@	INS-DLMH-100-E	@	INS-DLMH-100
	1-1/8	@	INS-DLH-102-E	@	INS-DLH-102
	1-3/16	126485	INS-DLH-103-E	126480	INS-DLH-103
	1-1/4	@	INS-DLH-104S-E	@	INS-DLH-104S
207	1-3/16	@	INS-DLMH-103-E	@	INS-DLMH-103
	1-1/4	@	INS-DLH-104-E	@	INS-DLH-104
	1-3/8	@	INS-DLH-106-E	@	INS-DLH-106
	1-7/16	126486	INS-DLH-107-E	126481	INS-DLH-107
210	1-11/16	@	INS-DLMH-111-E	@	INS-DLMH-111
	1-3/4	@	INS-DLMH-112-E	@	INS-DLMH-112
	1-15/16	126487	INS-DLH-115-E	126482	INS-DLH-115
211	2	@	INS-DLH-200-E	@	INS-DLH-200
	1-15/16	@	INS-DLMH-115-E	@	INS-DLMH-115
	2	@	INS-DLMH-200-E	@	INS-DLMH-200
212	2-3/16	126488	INS-DLH-203-E	126483	INS-DLH-203
	2-3/16	@	INS-DLMH-203-E	@	INS-DLMH-203
	2-1/4	@	INS-DLMH-204-E	@	INS-DLMH-204
	2-7/16	126489	INS-DLH-207-E	126484	INS-DLH-207

@ Assembled to order

FEATURES/BENEFITS PAGE B6-3	HOW TO ORDER/NOMENCLATURE PAGE B6-5	SELECTION/DIMENSIONS PAGE B6-10	ACCESSORIES PAGE B6-62
--------------------------------	--	------------------------------------	---------------------------

SELECTION/DIMENSIONS



D-LOK® Ball Bearings DLH & DLH-E NON-EXPANSION & EXPANSION NORMAL DUTY BEARINGS INSERTS

Bearing Reference Guide
 ULTRA KLEEN
 E-Z KLEEN
 Extreme Duty
 Setscrew Ball Bearing
 GRIP TIGHT
 D-LOK Ball Bearing

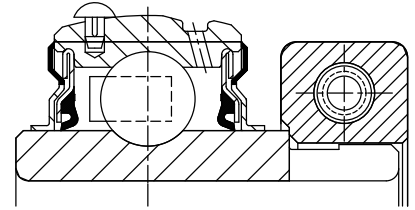
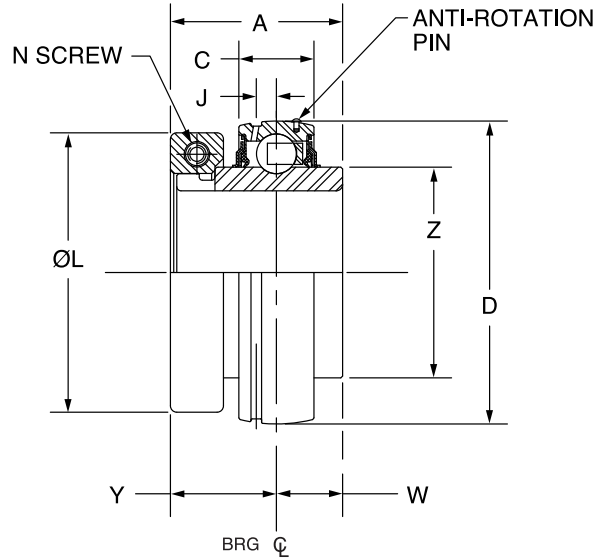
Series	Shaft Size	Weight Expansion lbs.	Weight Non-Exp. lbs.	A	B	C	D	E	J	L	N Screw (UNF)	W	Y	Z
206	1	1.9	1.2	1.56	2.875	0.69	2.4409	0.94	0.16	2.22	#10-32	0.58	0.98	1.57
	1-1/8													
	1-3/16													
	1-1/4													
207	1-3/16	2.6	1.8	1.75	3.272	0.75	2.8346	1.00	0.20	2.69	1/4-28	0.67	1.08	1.84
	1-1/4													
	1-3/8													
	1-7/16													
210	1-11/16	4.5	3.0	2.01	4.000	0.87	3.5433	1.36	0.25	3.24	1/4-28	0.75	1.26	2.43
	1-3/4													
	1-15/16													
	2													
211	1-15/16	5.3	3.4	2.25	4.475	0.94	3.9370	1.38	0.25	3.69	5/16-24	0.88	1.37	2.71
	2													
	2-3/16													
212	2-3/16	7.4	4.8	2.38	5.035	1.02	4.3307	1.55	0.25	4.11	5/16-24	0.90	1.48	2.97
	2-1/4													
	2-7/16													

FEATURES/BENEFITS PAGE B6-3	HOW TO ORDER/NOMENCLATURE PAGE B6-5	SELECTION/DIMENSIONS PAGE B6-10	ACCESSORIES PAGE B6-62
--------------------------------	--	------------------------------------	---------------------------



SELECTION/DIMENSIONS

D-LOK® Ball Bearings DLM NORMAL DUTY BEARINGS INSERTS



Series	Shaft Size	Standard Insert	
		Part No.	Description
206	1	128668	INS-DLM-100
207	1-3/16	128669	INS-DLM-103
	1-1/4	128652	INS-DL-104
208	1-7/16	128670	INS-DLM-107
	1-1/2 *	128665	INS-DL-108
	35mm	126644	INS-DLM-35M
209	1-1/2	128671	INS-DLM-108
	1-5/8	128656	INS-DL-110L
210	1-11/16	128672	INS-DLM-111
	1-3/4	128673	INS-DLM-112
211	1-15/16	128674	INS-DLM-115
	2	128661	INS-DLM-200
212	2-3/16	128675	INS-DLM-203
	2-1/4	128664	INS-DLM-204
214	2-7/16	128676	INS-DLM-207
	2-1/2	128677	INS-DLM-208
	65mm	126645	INS-DLM-65M
215	2.6875	065551	INS-DLM-211
216	2-15/16	@	INS-DLM-215
218	3-7/16	064535	INS-DLM-307

@ Assembled to order

* Piloted flange only

FEATURES/BENEFITS PAGE B6-3	HOW TO ORDER/NOMENCLATURE PAGE B6-5	SELECTION/DIMENSIONS PAGE B6-10	ACCESSORIES PAGE B6-62
--------------------------------	--	------------------------------------	---------------------------

SELECTION/DIMENSIONS



D-LOK® Ball Bearings DLM NORMAL DUTY BEARINGS INSERTS

Bearing Reference Guide

ULTRA KLEEN

E-Z KLEEN

Extreme Duty

Setscrew Ball Bearing

GRIP TIGHT

D-LOK Ball Bearing

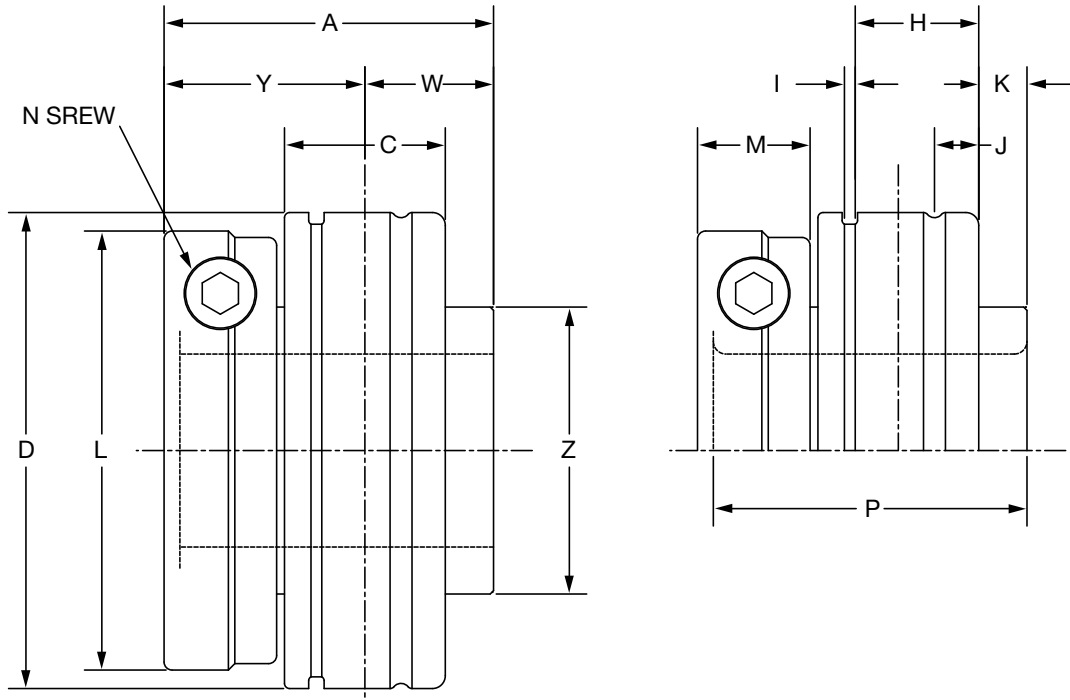
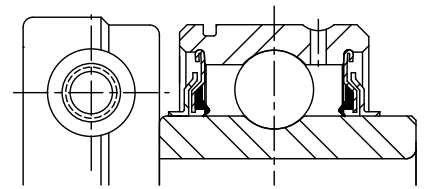
Series	Shaft Size	Weight lbs. kg	A	C	D	J	L	N Screw (UNF)	W	Y	Z
206	1	1.8	1.56	0.69	2.4409	0.16	2.22	#10-32	0.58	0.98	1.57
			39.6	17.5	62.000	4.1	56.4	M5x20	14.7	24.9	39.9
207	1-3/16	2.2	1.75	0.75	2.8346	0.20	2.69	1/4-28	0.67	1.08	1.84
	1-1/4	1.7	44.5	19.1	72.000	5.1	68.3	M6x20	17.0	27.4	46.7
208	1-7/16	2.5	2.01	0.87	3.1496	0.22	2.74	1/4-28	0.75	1.26	2.05
	1-1/2	2.2									
	35mm	1.0	51.1	22.1	80.000	5.6	69.6	M6x20	19.1	32.0	52.1
209	1-1/2	3.0	2.01	0.87	3.3465	0.25	2.99	1/4-28	0.75	1.26	2.22
	1-5/8	2.5	51.1	22.1	85.000	6.4	75.9	M6x20	19.1	32.0	56.4
210	1-11/16	3.0	2.01	0.87	3.5433	0.25	3.24	1/4-28	0.75	1.26	2.43
	1-3/4	3.0	51.1	22.1	90.000	6.4	82.3	M6x20	19.1	32.0	61.7
211	1-15/16	3.4	2.25	0.94	3.9370	0.25	3.69	5/16-24	0.88	1.37	2.71
	2	3.3	57.2	23.9	100.000	6.4	93.7	M8x20	22.4	34.8	68.8
212	2-3/16	4.9	2.38	1.02	4.3307	0.25	4.11	5/16-24	0.90	1.48	2.97
	2-1/4	4.8	60.5	25.9	110.000	6.4	104.4	M8x25	22.9	37.6	75.4
214	2-7/16	5.5	2.60	1.10	4.9213	0.26	4.38	5/16-24	1.06	1.54	3.31
	2-1/2	5.4									
	65mm	2.5	66.0	27.9	125.000	6.6	111.3	M8x25	26.9	39.1	84.1
215	2-11/16	5.9	2.40	1.14	5.1181	0.28	4.69	5/16-24	0.82	1.58	3.62
216	2-15/16	6.9	2.62	1.18	5.5118	0.29	4.99	3/8-24	0.88	1.74	3.83
218	3-7/16	8.8	2.72	1.34	6.2992	0.30	5.49	3/8-24	0.92	1.80	4.35

FEATURES/BENEFITS PAGE B6-3	HOW TO ORDER/NOMENCLATURE PAGE B6-5	SELECTION/DIMENSIONS PAGE B6-10	ACCESSORIES PAGE B6-62
--------------------------------	--	------------------------------------	---------------------------

SELECTION/DIMENSIONS



D-LOK® Ball Bearings CC BALL BEARING FAN AND BLOWER INSERTS



Series	Shaft Size	Part No.	Description
205	15/16	128380	INS-F&B-CC-015-DL
	1	128381	INS-F&B-CC-100-DL
206	1-1/8	128382	INS-F&B-CC-102-DL
	1-3/16	128383	INS-F&B-CC-103-DL
207	1-1/4	128384	INS-F&B-CC-104-DL
	1-3/8	128385	INS-F&B-CC-106-DL
	1-7/16	128386	INS-F&B-CC-107-DL
209	1-11/16	128387	INS-F&B-CC-111-DL
	1-3/4	128388	INS-F&B-CC-112-DL
210	1-15/16	128389	INS-F&B-CC-115-DL
211	2-3/16	128390	INS-F&B-CC-203-DL
212	2-7/16	128391	INS-F&B-CC-204-DL

FEATURES/BENEFITS PAGE B6-3	HOW TO ORDER/NOMENCLATURE PAGE B6-5	SELECTION/DIMENSIONS PAGE B6-10	ACCESSORIES PAGE B6-62
--------------------------------	--	------------------------------------	---------------------------

SELECTION/DIMENSIONS



D-LOK® Ball Bearings CC BALL BEARING FAN AND BLOWER INSERTS

Bearing Reference Guide

ULTRA KLEEN

E-Z KLEEN

Extreme Duty

Setscrew Ball Bearing

GRIP TIGHT

D-LOK Ball Bearing

Series	Shaft Size	Weight lbs kg	A	C	D	H	I	J	K	L	M	N SCREW	P	W	Y	Z
205	15/16 1	16.000 16.050	1.44	0.75	2.0472	0.56	0.05	0.15	0.18	1.99	0.50	#10-32	1.34	0.56	0.88	1.32
206	1-1/8 1-3/16	16.080 16.240	1.56	0.83	2.4409	0.68	0.07	0.22	0.19	2.22	0.50	#10-32	1.52	0.58	0.98	1.57
207	1-1/4 1-3/8 1-7/16	32.710 32.510 34.260	1.75	0.92	2.8346	0.74	0.07	0.22	0.22	2.69	0.60	1/4-28	1.71	0.67	1.08	1.84
209	1-11/16 1-3/4	31.800 31.870	2.01	1.09	3.3465	0.90	0.07	0.25	0.20	2.99	0.60	1/4-28	1.94	0.75	1.26	2.22
210	1-15/16	51.350	2.01	1.13	3.5433	0.80	0.10	0.20	0.19	3.24	0.60	1/4-28	1.94	0.75	1.26	2.43
211	2-3/16	51.130	2.25	1.19	3.9370	0.96	0.10	0.30	0.28	3.69	0.73	5/16-24	2.22	0.88	1.37	2.71
212	2-7/16	55.000	2.38	1.25	4.3307	1.02	0.10	0.30	0.27	4.11	0.73	5/16-24	2.31	0.90	1.48	2.97

The insert is relubricated through the back seal area of the bearing.

FEATURES/BENEFITS PAGE B6-3	HOW TO ORDER/NOMENCLATURE PAGE B6-5	SELECTION/DIMENSIONS PAGE B6-10	ACCESSORIES PAGE B6-62
--------------------------------	--	------------------------------------	---------------------------



D-LOK® Ball Bearings

LUBRICANTS

DODGE ball bearings are factory lubricated with a lithium complex based lubricant. For applications where extreme ambient temperatures or speeds are anticipated or environmental considerations require a different lubricant, DODGE has a variety of lubricants available. Special lubricant options usually require set-up charges and premiums.

SEALS

The PROGUARD PLUS seal is a highly effective positive contact land riding seal with flingers pressed on to each side of the inner ring offering added protection from high pressure wash down or extreme contamination. For high speeds or where seal drag would be an impediment, a labyrinth seal is available.

HIGH TEMPERATURE

DODGE high temperature bearings are designed to operate in temperatures from 225°F (108°C) to 400°F (205°C). The bearings have adjusted internal clearances, labyrinth seals, retainers, and lubricants to meet the temperature needs of the application. To insure proper replacement, the bearing is identified by a six digit part number etched on a stainless steel nameplate riveted to the housing. The part number identifies the specific feature of the bearing. High temperature bearings are factory assembled to order and are available at extra cost. Consult Dodge Engineering for application assistance at (864) 284-5700 or fax (864) 281-2317.

AIR HANDLING

Industrial fans and blowers generally operate at high speeds with bearing requirements of long life and quiet operation. Dodge stocks DL and DLM air handling pillow blocks that are specifically designed to meet the requirements of the Air Handling Industry. Other sizes and housing configurations can be supplied on a made/ assembled to order basis. These bearings are 100% inspected for quiet operation and are recommended for fan and blower operations.

COATINGS

For extra corrosion resistance, a variety of housings are available. Including stainless steel or polymer housed. These conform to U.S.D.A. and F.D.A. requirements. DL and DLM inserts can be supplied with a corrosion resistant finish to the inner and outer rings, stainless steel balls and set-screws, nickel plated flingers as well as F.D.A. lubricant.

OTHER MODIFICATIONS

For applications requiring modifications not listed, we encourage you to contact our Customer Order Engineering Department at (864) 284-5700 or fax (864) 281-2317.

DODGE Ball Bearing End Covers*

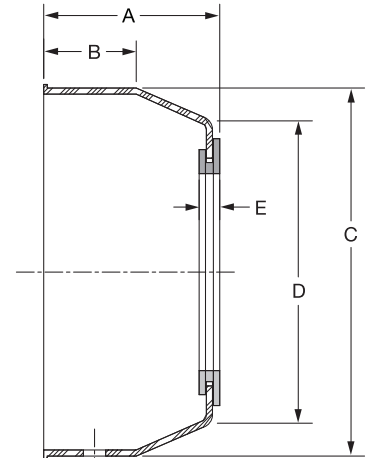
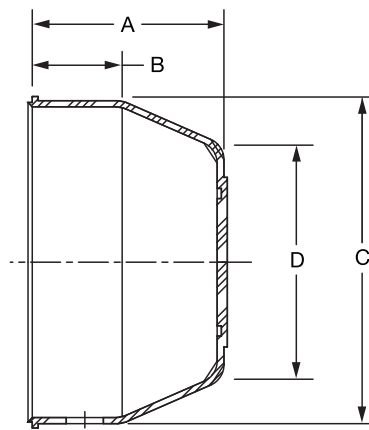
- Fits all styles of DODGE cast iron housed ball bearings: Pillow Blocks, 2 and 4 Bolt Flanges, and Take-Up bearings
- Injected molded, impact resistant, OSHA safety yellow end covers meet requirements for exposed rotating shafts
- Stainless steel "C" Washer for gripping power
- No modification or machining of existing housings required
- Concentric knockout grooves on inside of end cover for thru-shaft
- DODGE six digit part number and description embossed inside
- Operating temperature to 250°F
- For non relubricable/sealed for life applications (-NL), part number 430020 hex head plug is available

FEATURES/BENEFITS PAGE B6-3	HOW TO ORDER/NOMENCLATURE PAGE B6-5	SELECTION PAGE B6-6	SELECTION/DIMENSIONS PAGE B6-10
--------------------------------	--	------------------------	------------------------------------

MODIFICATIONS ACCESSORIES



D-LOK® Ball Bearings END CLOSURES



Series	Closed End Closure	
	Part Number	Description
204	128280	EC-204-Y
205	128281	EC-205-Y
206	128282	EC-206-Y
207	128283	EC-207-Y
208	128284	EC-208-Y
209	128285	EC-209-Y
210	128286	EC-210-Y
211	128277	EC-211-Y
212	128278	EC-212-Y
214	128220	EC-214
215	128221	EC-215
216	128222	EC-216
218	128223	EC-218

Open End Closure		
Shaft Size	Part Number	Description
3/4	128350	ECO-012-Y
20mm	128363	ECO-20M-Y
1	128351	ECO-100-Y
25mm	128364	ECO-25M-Y
1-3/16	128352	ECO-103-Y
1-1/4	128353	ECO-104S-Y
30mm	128365	ECO-30M-Y
1-1/4	128355	ECO-104-Y
1-7/16	128354	ECO-107-Y
35mm	128366	ECO-35M-Y
1-1/2	128356	ECO-108-Y
40mm	128367	ECO-40M-Y
1-11/16	128357	ECO-111-Y
45mm	128368	ECO-45M-Y
1-15/16	128358	ECO-115-Y
50mm	128369	ECO-50M-Y
1-15/16	079702	ECO-115 (211) †
2	079701	ECO-200 (211) †
2-3/16	079700	ECO-203 (211)
2-1/4	079699	ECO-204 (211)
50mm	079698	ECO-50M (211) †
55mm	079697	ECO-55M (211)
2-3/16	079696	ECO-203 (212) †
2-1/4	079695	ECO-204 (212) †
2-7/16	079694	ECO-207 (212)
55mm	079693	ECO-55M (212) †
60mm	079692	ECO-60M (212)
2-7/16	127328	ECO-207 (214) †
2-1/2	127329	ECO-208 (214) †
2-11/16	127330	ECO-211 (214)
65mm	127337	ECO-65M (214) †
70mm	127338	ECO-70M (214)
2-11/16	127331	ECO-211 (215) †
2-15/16	127332	ECO-215 (215)
70mm	127339	ECO-70M (215) †
75mm	127340	ECO-75M (215)
2-15/16	127333	ECO-215 (216) †
3	127334	ECO-300 (216) †
75mm	127340	ECO-75M (216) †
3-7/16	127335	ECO-307 (218) †
3-1/2	127336	ECO-308 (218) †
85MM	127342	ECO-85M (218) †
90MM	127343	ECO-90M (218)

† SCM Series only

FEATURES/BENEFITS PAGE B6-3	HOW TO ORDER/NOMENCLATURE PAGE B6-5	SELECTION PAGE B6-6	SELECTION/DIMENSIONS PAGE B6-10
--------------------------------	--	------------------------	------------------------------------



D-LOK® Ball Bearings

Open Cover Dimensions

Series	Shaft Size	A	B	C	D	E
204	3/4	1.19	0.53	1.91	1.38	0.19
	20mm	30.2	13.5	48.4	35.1	4.9
205	1	1.25	0.53	2.17	1.61	0.19
	25mm	31.8	13.5	55.1	40.9	4.9
206	1-3/16	1.39	0.56	2.50	0.97	0.19
	1-1/4					
	30mm	35.3	14.2	63.5	50.0	4.9
207	1-1/4	1.53	0.69	2.91	2.31	0.19
	1-7/16					
208	35mm	38.9	17.5	73.9	58.9	4.9
	1-1/2	1.59	0.69	3.31	2.77	0.20
209	40mm	40.6	17.5	84.1	70.1	5.1
	1-11/16	1.66	0.72	3.50	2.88	0.20
210	45mm	41.9	18.3	88.9	72.9	5.1
	1-15/16	1.72	0.91	3.63	3.00	0.20
211	50mm	43.7	23.1	91.4	76.2	5.1
	1-15/16	1.80	0.97	3.94	3.30	0.21
	2					
	2-3/16					
2-1/4	50mm	45.5	24.6	100.1	83.6	5.3
212	55mm	1.91	1.00	4.38	3.66	0.21
	2-3/16					
	2-1/4					
	2-7/16	55mm	48.3	25.4	111.3	92.7
214	60mm	3.00	1.50	4.90	3.75	0.30
	2-7/16					
	2-1/2					
	2-11/16	65mm	76.2	38.1	124.5	95.3
215	70mm	3.00	1.50	5.20	4.00	0.30
	2-11/16					
	75mm	76.2	38.1	132.1	101.6	5.3
216	2-15/16	3.00	1.50	5.50	4.38	0.30
	3					
218	75mm	76.2	38.1	139.7	111.1	5.3
	3-7/16	3.09	1.50	6.25	5.00	0.30
	3-1/2					
	85mm	78.6	38.1	158.8	127.0	5.3
	90mm					

Closed Cover Dimensions

Series	Shaft Size	A	B	C	D
204	3/4	1.13	0.53	1.91	1.38
	20mm	28.7	13.5	48.4	35.1
205	1	1.19	0.53	2.17	1.61
	25mm	30.2	13.5	55.1	40.9
206	1-3/16	1.33	0.56	2.50	0.97
	1-1/4				
	30mm	33.8	14.2	63.5	50.0
207	1-1/4	1.47	0.69	2.91	2.31
	1-7/16				
208	35mm	37.3	17.5	73.9	58.9
	1-1/2	1.55	0.69	3.31	2.77
209	40mm	39.1	17.5	84.1	70.1
	1-11/16	1.59	0.72	3.50	2.88
210	45mm	40.4	18.3	88.9	72.9
	1-15/16	1.66	0.91	3.62	3.00
211	50mm	42.2	23.1	91.4	76.2
	1-15/16	1.80	0.97	3.94	3.30
	2				
	2-3/16				
2-1/4	50mm	45.5	24.6	100.1	83.6
212	55mm	1.91	1.00	4.38	3.66
	2-3/16				
	2-1/4				
	2-7/16	55mm	48.3	25.4	111.3
214	60mm	3.00	1.50	4.90	3.75
	2-7/16				
	2-1/2				
	2-11/16	65mm	76.2	38.1	124.5
215	70mm	3.00	1.50	5.20	4.00
	2-11/16				
	75mm	76.2	38.1	132.1	101.6
216	2-15/16	3.00	1.50	5.50	4.38
	3				
218	75mm	76.2	38.1	139.7	111.1
	3-7/16	3.09	1.50	6.25	5.00
	3-1/2				
	85mm	78.6	38.1	158.8	127.0
	90mm				

RELATED PRODUCTS



Bearing Reference Guide

ULTRA KLEEN

E-Z KLEEN

Extreme Duty

Setscrew Ball Bearing

GRIP TIGHT

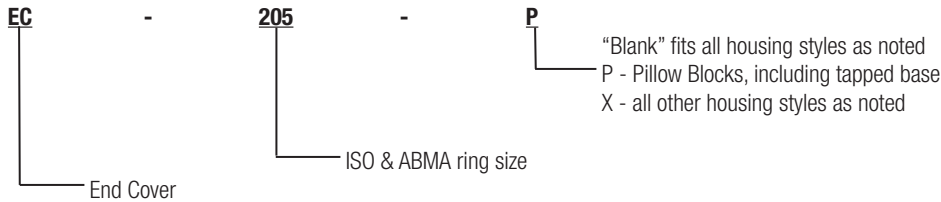
D-LOK Ball Bearing

DODGE Ball Bearing End Covers*



- Fits all styles of DODGE cast iron housed ball bearings: Pillow Blocks, 2 and 4 Bolt Flanges, and Take-Up bearings
- Injected molded, impact resistant, OSHA safety yellow end covers meet requirements for exposed rotating shafts
- Stainless steel “C” Washer for gripping power
- No modification or machining of existing housings required
- Concentric knockout grooves on inside of end cover for thru-shaft
- DODGE six digit part number and description embossed inside
- Operating temperature to 250°F
- For non relubricable/sealed for life applications (-NL), part number 430020 hex head plug is available

Nomenclature



Series	Pillow Blocks Std, U, B	Tapped Base PB	2 Bolt Flange	Flanged Bracket	4 Bolt Flange	Piloted Flange (FC)	Narrow Slot Take-Up	Wide Slot Take-Up
203	X		X		X			
204	X	X	X		X		X	X
205	X	X	X	X	X		X	X
206	X	X	X	X	X	@	X	X
207	X	X	X	X	X	@	X	X
208	X	X	X		X	@	X	X
209	X	X	X		X	@	X	X
210	X	X	X	X	X	@	X	X
211	X	X	X		X	NA	X	X
212	X		X		X	NA	X	X
214	X				X	NA		X
215	X				X			X
216	X				X	X		X
218	X				X	X		

* = Will not fit LF, LFT, SCHB, HNCR & CLY

NA = Will not fit

@ = Some modification required

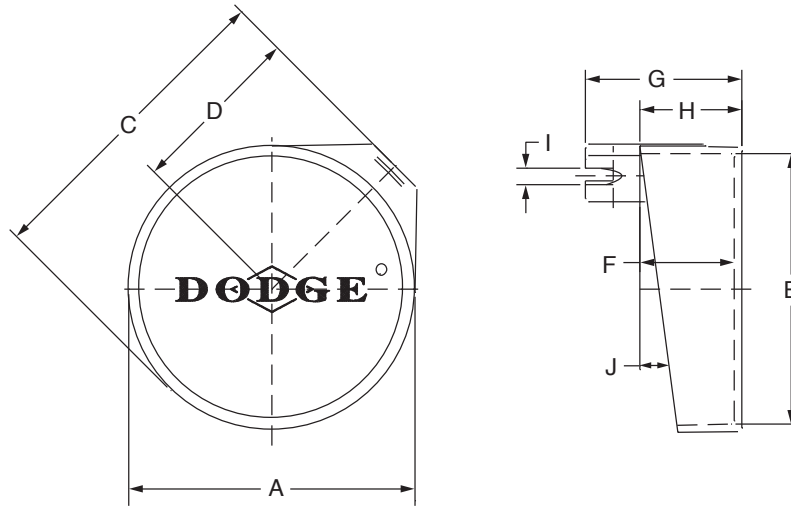
X = Will fit

FEATURES/BENEFITS PAGE B6-3	HOW TO ORDER/NOMENCLATURE PAGE B6-5	SELECTION PAGE B6-6	SELECTION/DIMENSIONS PAGE B6-10
--------------------------------	--	------------------------	------------------------------------



RELATED PRODUCTS

D-LOK® Ball Bearings BALL BEARING END COVERS FOR PILLOW BLOCKS & TAPPED BASE UNITS



Series	Shaft Size*		Part Number	Description
	DL	DLM, DLH		
203	1/2 & 5/8 17mm	-----	128200	EC-203-P
204	1/2 - 3/4 20mm	-----	128202	EC-204-P
205	7/8 - 1 25mm	-----	128204	EC-205-P
206	1-1/16 - 1-1/4 30mm	----- 25mm	128206	EC-206-P
207	1-1/4 - 1-7/16 35mm	1-3/16 & 1-1/4 30mm	128208	EC-207-P
208	1-1/2 - 1-5/8 40mm	1-7/16 35mm	128210	EC-208-P
209	1-5/8 - 1-3/4 45mm	1-1/2 40mm	128212	EC-209-P
210	1-15/16 & 2 50mm	1-11/16 & 1-3/4 45mm	128214	EC-210-P
211	2 - 2-1/4 55mm	1-15/16 & 2 50mm	128216	EC-211-P
212	2-1/4 - 2-7/16 60mm	2-3/16 - 2-1/4 55mm	128218	EC-212-P

* **NOTE:** DLH uses the next larger end cover. E.G. A P2B-DLH-103 would use a EC-207-P

RELATED PRODUCTS



D-LOK® Ball Bearings BALL BEARING END COVERS FOR PILLOW BLOCKS & TAPPED BASE UNITS

Bearing Reference Guide

ULTRA KLEEN

E-Z KLEEN

Extreme Duty

Setscrew Ball Bearing

GRIP TIGHT

D-LOK Ball Bearing

Series	Shaft Size		Weight lbs gm	A	C	D	E	F	G	H	I	J
	DL	DLM, DLH										
203	1/2 & 5/8 17mm	-----	.02 9	1-25/32 45.2	2-7/64 53.6	1-3/32 27.7	1-41/64 41.7	49/64 19.6	1-29/64 37.1	29/32 22.9	1/4 6.4	9
204	1/2 - 3/4 20mm	-----	.03 14	2-3/64 52.0	2-37/64 65.3	1-19/64 33.0	1-55/64 47.2	1-1/64 25.7	1-49/64 45.0	1-5/32 29.5	5/16 7.9	11
205	7/8 - 1 25mm	-----	.05 23	2-3/8 60.2	2-13/16 71.4	1-3/16 35.0	2-5/32 54.9	1-1/16 26.9	1-7/8 47.8	1-7/32 31.0	11/32 8.6	9
206	1-1/16 - 1-1/4 30mm	----- 25mm	.07 34	2-47/64 69.3	3-21/64 84.3	1-45/64 43.2	2-1/2 63.5	1-15/64 31.5	2-5/32 54.9	1-13/32 35.6	23/64 8.9	9
207	1-1/4 - 1-7/16 35mm	1-3/16 & 1-1/4 30mm	.11 48	3-1/4 82.6	3-51/64 96.3	1-29/32 48.5	3-1/64 76.7	1-5/16 33.3	2-11/32 59.4	1-31/64 37.6	3/8 9.4	7 30
208	1-1/2 - 1-5/8 40mm	1-7/16 35mm	.13 61	3-3/8 85.9	4.0 101.6	2-1/16 52.3	3-7/64 79.0	1-19/64 33.0	2-13/32 61.0	1-1/2 38.1	27/64 10.7	6
209	1-5/8 - 1-3/4 45mm	1-1/2 40mm	.15 69	3-11/16 93.7	4-17/64 108.2	2-11/64 55.1	3-13/32 86.6	1-21/64 33.8	2-21/64 59.2	1-17/32 38.9	25/64 9.9	7
210	1-15/16 & 2 50mm	1-11/16 & 1-3/4 45mm	.17 78	3-7/8 98.6	4-1/2 114.3	2-19/32 59.2	3-37/64 90.9	1-23/64 34.3	2-1/2 63.5	1-9/16 39.6	31/64 12.5	9
211	2 - 2-1/4 55mm	1-15/16 & 2 50mm	.22 102	4-27/64 112.3	5-1/16 128.5	2-19/32 66.0	4-1/8 104.7	1-13/32 35.8	2-37/64 65.3	1-5/8 41.2	29/64 11.4	7
212	2-1/4 - 2-7/16 60mm	2-3/16 - 2-1/4 55mm	.26 118	4-59/64 125.0	5-29/64 138.7	2-3/4 69.9	4-39/64 117.1	1-17/32 38.9	2-11/16 68.3	1-3/4 44.5	13/32 10.4	8

For no re-lube (-NL) applications, part number 430020, hex head plug is available

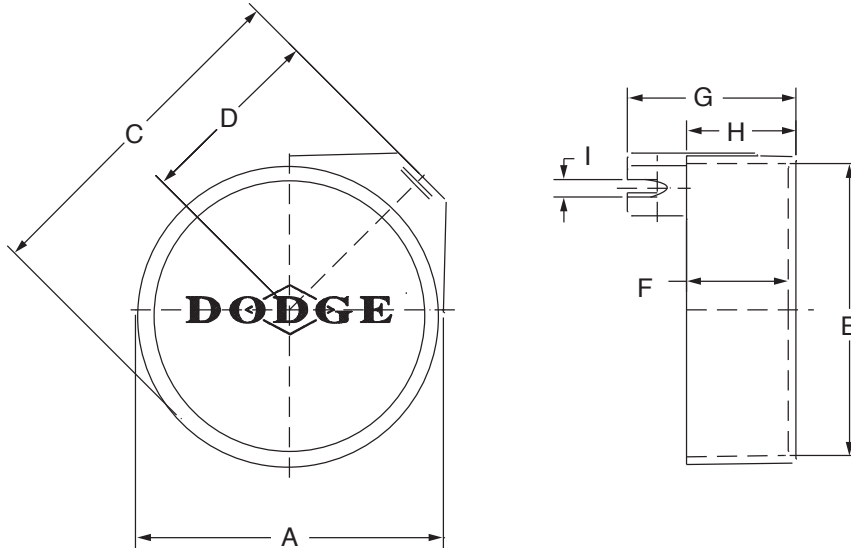
FEATURES/BENEFITS PAGE B6-3	HOW TO ORDER/NOMENCLATURE PAGE B6-5	SELECTION PAGE B6-6	SELECTION/DIMENSIONS PAGE B6-10
--------------------------------	--	------------------------	------------------------------------



RELATED PRODUCTS

D-LOK® Ball Bearings

BALL BEARING END COVERS FOR MOUNTED UNITS OTHER THAN PILLOW BLOCKS & TAPPED BASE UNITS



Series	Shaft Size*		Part Number	Description
	DL	DLM, DLH		
203	1/2 & 5/8 17mm	-----	128201	EC-203-X
204	1/2 - 3/4 20mm	-----	128203	EC-204-X
205	7/8 - 1 25mm	-----	128205	EC-205-X
206	1-1/16 - 1-1/4 30mm	----- 25mm	128207	EC-206-X
207	1-1/4 - 1-7/16 35mm	1-3/16 & 1-1/4 30mm	128209	EC-207-X
208	1-1/2 - 1-5/8 40mm	1-7/16 35mm	128211	EC-208-X
209	1-5/8 - 1-3/4 45mm	1-1/2 40mm	128213	EC-209-X
210	1-15/16 & 2 50mm	1-11/16 & 1-3/4 45mm	128215	EC-210-X
211	2 - 2-1/4 55mm	1-15/16 & 2 50mm	128217	EC-211-X
212	2-1/4 - 2-7/16 60mm	2-3/16 - 2-1/4 55mm	128219	EC-212-X

* NOTE: Above end covers will not fit the LF and LFT bearings

RELATED PRODUCTS



D-LOK® Ball Bearings

BALL BEARING END COVERS FOR MOUNTED UNITS OTHER THAN PILLOW BLOCKS & TAPPED BASE UNITS

Bearing Reference Guide

ULTRA KLEEN

E-Z KLEEN

Extreme Duty

Setscrew Ball Bearing

GRIP TIGHT

D-LOK Ball Bearing

Series	Shaft Size		Weight <i>lbs</i> <i>gm</i>	A	C	D	E	F	G	H	I
	DL	DLM, DLH									
203	1/2 & 5/8 17mm	-----	0.02 10	1-51/64 45.5	2-13/64 56.1	1-3/16 30.2	1-41/64 41.7	51/64 20.3	1-29/64 37.1	15/16 23.9	1/4 6.4
204	1/2 - 3/4 20mm	-----	0.03 15	2-7/32 56.1	2-47/64 69.6	1-25/64 35.3	2-1/32 51.6	1-1/64 25.7	1-13/16 45.7	1-5/32 29.5	5/16 7.9
205	7/8 - 1 25mm	-----	0.05 24	2-3/8 60.2	3-3/64 77.2	1-19/32 40.6	2-5/32 54.9	1-1/64 25.7	1-53/64 46.5	1-11/64 29.7	11/32 8.7
206	1-1/16 - 1-1/4 30mm	----- 25mm	0.08 36	2-47/64 69.3	3-21/64 84.3	1-45/64 43.2	2-1/2 63.5	1-3/16 30.2	2-1/16 52.3	1-23/64 34.5	23/64 8.9
207	1-1/4 - 1-7/16 35mm	1-3/16 & 1-1/4 30mm	0.12 53	3-1/4 82.6	3-27/32 97.5	1-31/32 50.0	3-1/64 76.7	1-11/32 34.5	2-11/32 59.4	1-17/32 38.9	3/8 9.4
208	1-1/2 - 1-5/8 40mm	1-7/16 35mm	0.14 64	3-3/8 85.9	4.0 101.6	2-1/16 52.3	3-7/64 79.0	1-19/64 33.0	2-13/32 61.0	1-1/2 38.1	27/64 10.7
209	1-5/8 - 1-3/4 45mm	1-1/2 40mm	0.16 73	3-11/16 93.7	4-17/64 108.2	2-11/64 55.1	3-13/32 86.6	1-23/64 34.3	2-21/64 59.2	1-17/32 38.9	25/64 9.9
210	1-15/16 & 2 50mm	1-11/16 & 1-3/4 45mm	0.18 82	3-7/8 98.6	4-1/2 114.3	2-21/64 59.2	3-9/16 90.9	1-23/64 34.3	2-33/64 63.8	1-9/16 39.6	31/64 12.4
211	2 - 2-1/4 55mm	1-15/16 & 2 50mm	0.24 108	4-27/64 112.3	5-1/16 128.5	2-19/32 66.0	4-1/8 104.7	1-29/64 36.8	2-37/64 65.3	1-21/32 42.2	29/64 11.4
212	2-1/4 - 2-7/16 60mm	2-3/16 - 2-1/4 55mm	0.27 124	4-59/64 125.0	5-15/32 138.7	2-3/4 69.9	4-39/64 117.1	1-35/64 39.1	2-11/16 68.3	1-3/4 44.5	13/32 10.4

For no re-lube (_NL) applications, part number 430020, hex head plug is available

FEATURES/BENEFITS PAGE B6-3	HOW TO ORDER/NOMENCLATURE PAGE B6-5	SELECTION PAGE B6-6	SELECTION/DIMENSIONS PAGE B6-10
--------------------------------	--	------------------------	------------------------------------



RELATED PRODUCTS

D-LOK® Ball Bearings BALL BEARING END COVERS FOR MOUNTED UNITS 214 SERIES & LARGER

Series	Shaft Size		Part Number	Description
	DL, DLH	DLM		
214	2-1/2 & 2-11/16 70mm	2-7/16 & 2-1/2 65mm	128220	EC-214
215	2-15/16 75mm	2-11/16 70mm	128221	EC-215
216	-----	2-15/16 & 3 75mm	128222	EC-216
218	-----	3-7/16 & 3-1/2 85mm	128223	EC-218

Series	Shaft Size		Weight lbs gm	A	B	C	D	E	F
	DL, DLH	DLM							
214	2-1/2 & 2-11/16 70mm	2-7/16 & 2-1/2 65mm	0.33 151	4-15/16 125.5	4-7/16 112.8	2-39/64 66.3	4-39/64 117.1	4.741/4.737 120.4/120.3	2-53/64 71.9
215	2-15/16 75mm	2-11/16 70mm	0.36 154	5-3/32 129.3	4-49/64 120.9	2-29/64 62.5	4-3/4 120.7	4.944/4.940 125.6/125.5	2-7/8 72.9
216	-----	2-15/16 & 3 75mm	0.44 201	5-9/16 141.2	5-15/64 132.8	2-47/64 69.6	5-13/64 132.1	5.350/5.346 135.9/135.8	2-63/64 75.7
218	-----	3-7/16 & 3-1/2 85mm	0.57 257	6-5/16 130.3	5-29/32 149.9	2-27/32 72.1	5-15/16 150.6	6.100/6.096 154.9/154.8	3-3/32 78.5

FEATURES/BENEFITS PAGE B6-3	HOW TO ORDER/NOMENCLATURE PAGE B6-5	SELECTION PAGE B6-6	SELECTION/DIMENSIONS PAGE B6-10
--------------------------------	--	------------------------	------------------------------------

CONTENTS



Eccentric Collar Ball Bearings

Features / Benefits	B7-3
How to Order / Nomenclature	B7-5
Selection	B7-6
Selection/Dimensions	
Pillow Blocks	
SXR Normal Duty	B7-12
Flanges	
2-Bolt Flange	B7-24
4-Bolt Flange	B7-28
Piloted Flange	B7-30
Take-Ups	
SXR Normal Duty	B7-32
SXR Normal Duty Hanger, Screw Conveyor Hanger & Cylindrical Units	B7-38
Inserts	
SXR Normal Duty	B7-40
SXRH-E Expansion and Non-Expansion	B7-42
Modification/Accessories	B7-44
Related Products	
End Closures	B7-45
Part Number Index	INDEX-1
Key Word Index	KEYWORD-1

Eccentric Collar Ball Bearing

Setscrew YSC Ball Bearing

Eccentric SXV Collar Ball Bearing

Take-Up Frames

Engineering

Part Number Index

Keyword Index



CONTENTS

Eccentric Collar Ball Bearings

Setcrew VSC Ball Bearing

Eccentric SXV Collar Ball Bearing

Take-Up Frames

Engineering

Part Number Index

Keyword Index



FEATURES/BENEFITS

Eccentric Collar Ball Bearings

For more than 70 years, DODGE® has been talking to mounted bearing users and listening to their needs. This experience led to design of the optimum mounted ball bearings.

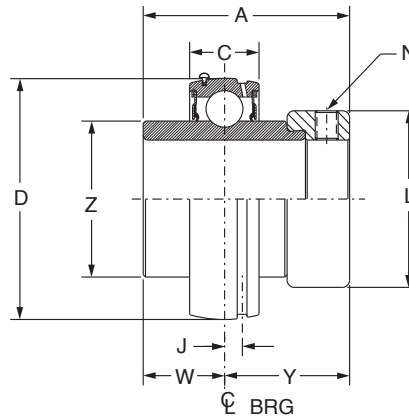
The result is the DODGE SXR line, the most current eccentric collar mounted ball bearing design on the market, provides the user unmatched quality and true total value.

The DODGE eccentric ball bearing is manufactured at the state-of-the-art DODGE bearing plant in Rogersville, Tennessee - an ISO 9002 certified plant.

- Precision-hardened inner ring
- Normal-Duty Wide Inner Ring (SXR)
- Eccentric collar locking system
- DODGE DualGuard land-riding, positive contact seal
- Stronger, flexible ball cage
- Simplified anti-rotation device
- Wide variety of housing configurations
- Available in 1/2" to 2-15/16", 17 to 75mm bore sizes
- SXR Seal options:
 - low torque labyrinth
- FDA/USDA lubricant and other special lubricants

Pop-In End Covers

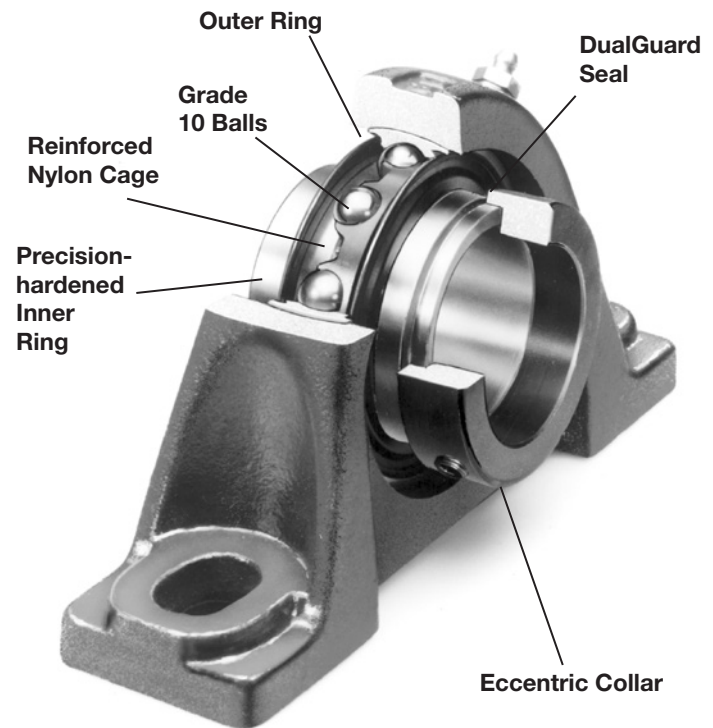
- Machined groove in housing accepts cover
- Secure fit to prevent spinning
- Keeps contaminants away from seal
- Creates safer work environment
- OSHA approved yellow
- Closed and open covers available
- Standard feature on PB, F2B, & F4B housing styles, 204-212 Series
- Press-In style for 214-218 Series
- Nomenclature
 - ECC-205-Y, Closed 205 Series
 - ECO-100Y, Open 1" Bore size



DODGE Self-Locking Collar



The inner ring of the bearing is locked to the shaft by a quarter-turn of the eccentric collar in the direction of shaft rotation. The collar is secured in place with a single setscrew.



Note: Instruction manuals and drawings for Dodge bearings are available on www.dodge-pt.com



FEATURES/BENEFITS

Eccentric Collar Ball Bearings

DualGuard Seal

- Mechanically retained single lip seal for added strength
 - Purgeable design
 - Nitrile rubber lip
 - Keeps out contaminants
- Rubberized flinger
 - Dodge-only technology
 - Rubberized flinger provides external protection and discards contaminants as it rotates
 - Molded baffles in flinger act like a paddle wheel to help deflect liquids
 - Molded rubber increases the radius of the flinger which increases the acceleration rate of the contaminants as they are thrown away from the bearing
 - Rubber molding on the flinger is extended to the outer race of the bearing providing better protection than non-rubberized versions

Stronger Flexible Cage



The ball cage is made of heat-stabilized nylon with 33% fill short fiberglass reinforcement for added strength. The nylon material provides a natural lubricity for longer life. Fiberglass reinforcement allows higher operating temperatures than plain nylon, yet it is more resistant to fatigue than metallic cages.

Short fiberglass allows greater flexibility than steel or normal fiberglass, especially under misalignment. That means longer life in mounted bearings where some degree of misalignment is unavoidably encountered.

Wide Variety Of Housing Configurations

DODGE provides a wide variety of durable eccentric mounted ball bearings. Housing configurations include:

- Pillow blocks (2-bolt and tapped base)
- Flange bearings (2- and 4-bolt)
- Hanger bearings
- Cylindrical units
- Take-up bearings
- Take-up frames

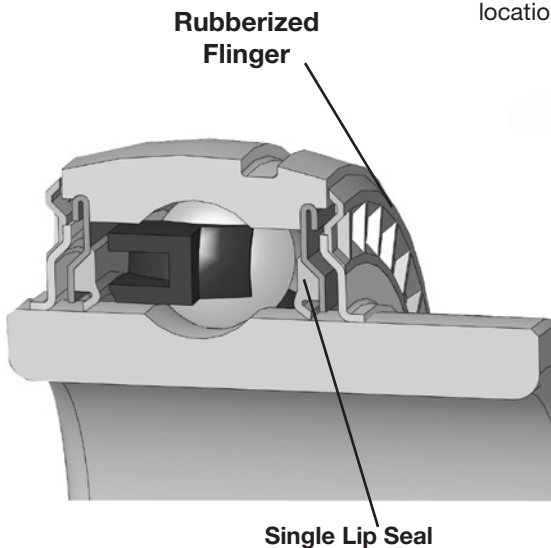
In Stock Near You

The complete line of DODGE mounted ball bearings is available at your local authorized DODGE distributor. For more information, check the yellow pages for your local distributor, call (864) 297-4800 or fax (864)-281-2318.

Anti-Rotation Pin

An anti-rotation pin prevents rotation of the outer race within the housing.

Simple and effective, it makes system inserts easier to replace. There is no need to remove and replace grease fittings, location pins or other devices.



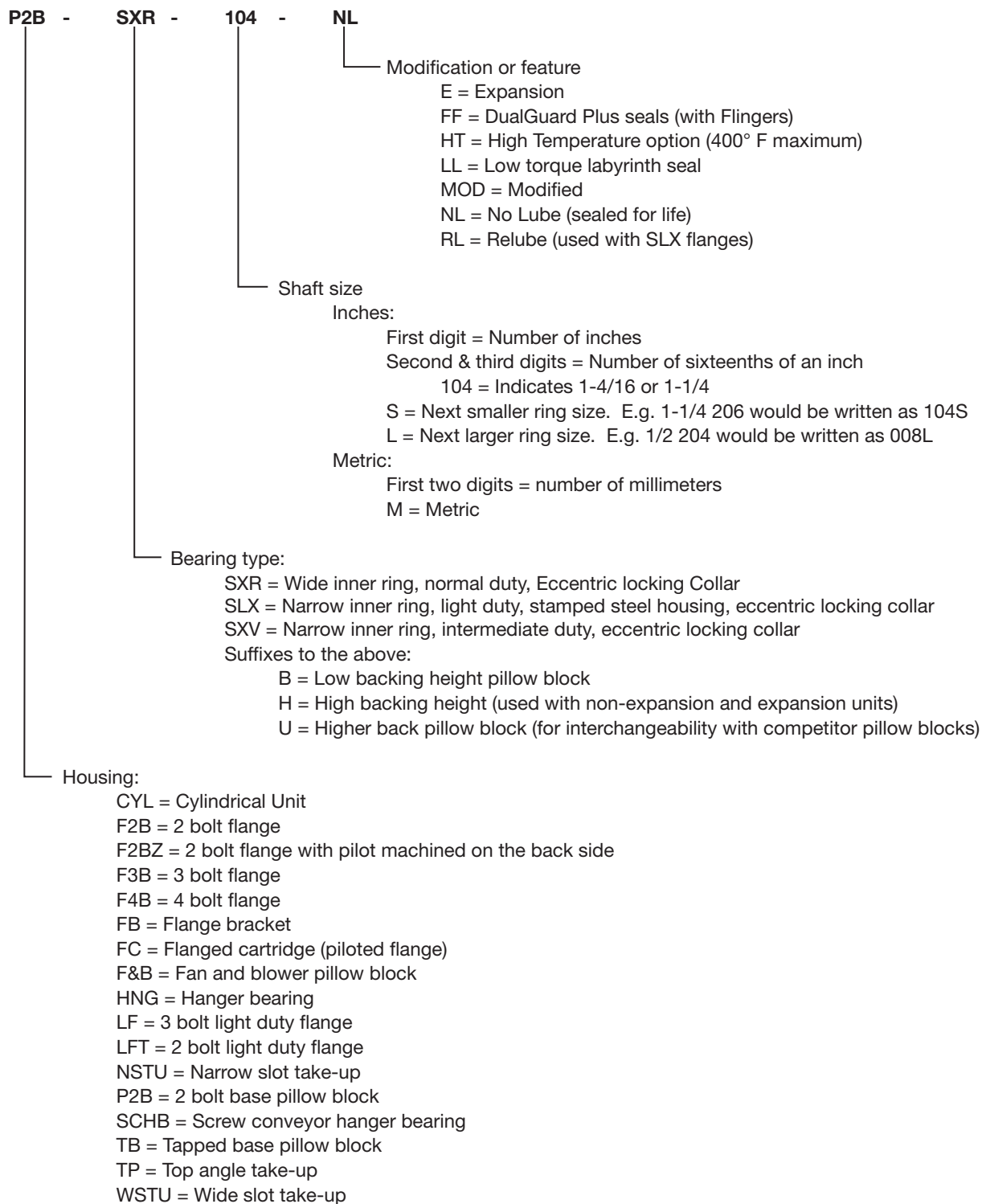
Note: Instruction manuals and drawings for Dodge bearings are available on www.dodge-pt.com



HOW TO ORDER/NOMENCLATURE

Eccentric Collar Ball Bearings

Nomenclature



FEATURES/BENEFITS PAGE B7-3	SELECTION PAGE B7-6	SELECTION/DIMENSIONS PAGE B7-12	ACCESSORIES PAGE B7-44
--------------------------------	------------------------	------------------------------------	---------------------------



SELECTION

Eccentric Collar Ball Bearings

DODGE mounted ball bearings are primarily designed for radial loading. However, they have the capacity to carry thrust loads and combined radial/thrust loads. The maximum recommended load which can be applied is limited by various components in the system, such as bearing, housing, shaft attachments, speed and life requirements. DODGE mounted ball bearings have been applied successfully when these limits have been exceeded under controlled operating conditions. Contact DODGE Engineering for applications which exceed these recommendations.

Select a bearing from the Selection Chart that has a radial load rating at the operating speed equal to or greater than the calculated Equivalent Radial load for a desired L_{10} life. This simple method is all that is required for the majority of general applications and provides for occasional average shock loads.

L_{10} Hours Life—is the life which may be expected for at least 90% of a given group of bearings operating under identical conditions. For an L_{10} hours life other than those listed in the Selection Chart, multiply the equivalent Radial load by one of the following factors. For 50,000 L_{10} hours life, use a factor of 1.18 and for 80,000, use 1.39. Then select a bearing from the bold face (30,000) L_{10} ratings only in the Selection Chart that has a rating equal to or greater than this value.

Heavy Service—For heavy shock loads, frequent shock loads or severe vibrations, add up to 50% (according to severity of conditions) to the Equivalent Radial Load to obtain a Modified Equivalent Radial Load. Consult Application Engineering for additional selection assistance.

A thrust load value of $C/10$ is recommended as a guide for general applications and will give adequate L_{10} life. Where substantial radial load pulls the housing away from the mounting base, both the hold-down bolts and housing must be of adequate strength. Auxiliary load carrying devices, such as shear bars, are advisable for side or end-loading of pillow blocks and radial loads for flange units.

To determine the L_{10} hours life for loads and RPM's not listed use the following equation:

$$L_{10} = \left(\frac{C}{P}\right)^3 \times \frac{16,667}{N}$$

Where:

L_{10} = Life, hours

C = Dynamic Capacity, lbs. or N

P = Equivalent Radial Load, lbs. or N

N = Revolutions per minute

When the load on a ball bearing is solely a radial load with no thrust (axial) load, the Equivalent Radial Load (P) is equal to the actual radial load. However, when a thrust (axial) load is applied, the radial and thrust loads applied must be converted into an Equivalent Radial Load. The use of the X (radial factor) and Y (thrust factor) from Table 1 convert the actual applied thrust and radial loads to an Equivalent Radial Load which has the same effect on the life of a bearing as a radial load of this magnitude.

$$P = (X \times F_R) + (Y \times F_A)$$

Where:

P = Equivalent Radial Load, lbs.

F_R = Radial load, lbs.

F_A = Thrust load, lbs.

e = Thrust load to radial load factor (Table 1)

X = Radial load factor (Table 1)

Y = Thrust factor (Table 1)

C_0 = Basic static capacity

To find X and Y, first calculate F_A/C_0 to determine e. Calculate F_A/F_R and compare to e to determine the X and Y factors to use from Table 1.

Substitute all known values into the Equivalent Radial Load equation. The Equivalent Radial loads (P) thus determined can be used in the L_{10} life formula or compared to the allowable Equivalent Radial Load rating desired in the expanded rating chart to select a bearing (Table 2).

If calculated value of P is less than F_R , use $P=F_R$.

Table 1

F_A / C_0	e	Radial/thrust Factors			
		If F_A/F_R is equal to or less than e		If F_A/F_R is greater than e	
		$F_A/F_R \leq e$		$F_A/F_R > e$	
		X	Y	X	Y
0.014	0.19	1	0	0.56	2.30
0.021	0.21	1	0	0.56	2.15
0.028	0.22	1	0	0.56	1.99
0.042	0.24	1	0	0.56	1.85
0.056	0.26	1	0	0.56	1.71
0.070	0.27	1	0	0.56	1.63
0.084	0.28	1	0	0.56	1.55
0.110	0.30	1	0	0.56	1.45
0.170	0.34	1	0	0.56	1.31
0.280	0.38	1	0	0.56	1.15
0.420	0.42	1	0	0.56	1.04
0.560	0.44	1	0	0.56	1.00

Lubrication—DODGE Ball Bearings are lubricated at the factory and are ready to run. The bearings are initially lubricated with a lithium complex base grease and should be relubricated with the same or some equivalent. For high speeds, high loads, extreme temperatures and other abnormal operating conditions, special greases may be required. Contact DODGE Application Engineering for recommendations on these types of applications.

Misalignment—DODGE Ball Bearings are designed to allow a maximum of $\pm 2^\circ$ static misalignment. These bearings are not suitable for dynamic misalignment. To ensure good alignment, mounting surfaces must be checked for flatness and must lie in the same plane. When tightening base bolts, each bolt should be alternately tightened in incremental torque values until full torque is achieved to prevent the angular shifting of the pillow block that occurs when one bolt is tightened to its full torque. Shimming may be required to minimize misalignment.

Shaft Tolerances

Normal Shaft Size Inches	Commercial Shaft Tolerances Inches	Recommended Shaft Tolerances Eccentric Lock Ball Bearings Inches
Up to 1-1/2	+0.000 -0.002	+0.0000 -0.0005
Over 1-1/2 to 2-1/2	+0.000 -0.003	+0.0000 -0.0010
Over 2-1/2 to 4	+0.000 -0.004	+0.0000 -0.0010

Note: Bearing analysis program "BEST" is available on www.ptwizard.com

FEATURES/BENEFITS PAGE B7-3	HOW TO ORDER/NOMENCLATURE PAGE B7-5	SELECTION/DIMENSIONS PAGE B7-12	ACCESSORIES PAGE B7-14
--------------------------------	--	------------------------------------	---------------------------



SELECTION

Eccentric Collar Ball Bearings

Recommended Torque													
Setscrews					D-LOK			Mounting Bolts					
Setscrew Size	Key Hex Across Flats	◆ Recommended Torque			Cap Screw Size	Recom. Torque	EZ-KLEEN Recom. Torque	Metal Housings		EZ-KLEEN Housed Bearings			
		Standard Ball Bearing Insert		Corrosion Resistant Stainless Steel				Bolt Size	Recom. Dry Torque (Grade 2)	2-Bolt PB, 2 & 4 Bolt Fig. and Fig. Brackets		Tapped Base PB	
		Min	Max							Bolt Size	Torque ①	Bolt Size	Torque ②
(in.)	(in.)	(in.-lbs.)	(in.-lbs.)	(in.-lbs.)	(in.)	(in.-lbs.)	(in.-lbs.)	(in.)	(in.-lbs.)	(in.)	(in.-lbs.)	(in.)	(in.-lbs.)
#10	3/32	28	33	25	#8-32	58	46	3/8-16	240	3/8-16	225	3/8-16	175
1/4	1/8	66	80	60	#10-32	90	72	7/16-14	384	7/16-14	350	7/16-14	350
5/16	5/32	126	156	117	1/4-28	180	144	1/2-13	600	1/2-13	500	1/2-13	400
3/8	3/16	228	275	206	5/16-24	400	320	5/8-11	1200	9/16-12	650		
7/16	7/32	342	428	321	3/8-24	750	600	3/4-10	1950	5/8-11	1000		
								7/8-9	2890				
(mm)	(mm)	(N-m)	(N-m)	(N-m)	(mm)	(N-m)	(N-m)	(mm)	(N-m)	(mm)	(N-m)	① Torque for Austenitic (18-8) Stainless ② Max. torque values published. Do not exceed	
M5	2.5	3.2	3.7	2.8	M4	5.85	4.68	M10	29	M8	15		
M6	3	6.2	7.7	5.8	M5	10.75	8.6	M12	50	M10	25		
M8	4	14.2	17.8	13.4	M6	20.5	16.4	M16	124	M12	50		
M10	5	26	31	23	M8	45	36	M20	238	M14	75		
M12	6	46	57	43				M22	322	M18	125		

Lubrication

High Speed Operation - In the higher speed ranges, too much grease will cause over-heating. The amount of grease that the bearing will take for a particular high speed application can only be determined by experience. If excess grease in the bearing causes overheating, it will be necessary to remove grease fitting to permit excess grease to escape. The bearing has been greased at the factory and is ready to run. When establishing a relubrication schedule, note that a small amount of grease at frequent intervals is preferable to a large amount at infrequent intervals.

◆ **NOTE:** Dodge does not recommend the use of oils or locking agents on setscrew threads. However, if utilized, the the minimum installation torque values should be followed.

Lubrication Guide

Use a No. 2 Lithium complex base grease or equivalent*

Hours Run per Day	Suggested Lubrication Period in Weeks							
	1 to 250 RPM	251 to 500 RPM	501 to 750 RPM	751 to 1000 RPM	1001 to 1500 RPM	1501 to 2000 RPM	2001 to 2500 RPM	2501 to 3000 RPM
8	12	12	10	7	5	4	3	2
16	12	7	5	4	2	2	1	1
24	10	5	3	2	1	1	1	1

* For EZ-KLEEN series bearings, use an aluminum complex base grease.

Lubrication recommendations are intended for standard products applied in general operating conditions. For modified products, high temperature applications, and other anomalous applications contact product engineering at 864-284-5700.

Note: Bearing analysis program "BEST" is available on www.ptwizard.com

FEATURES/BENEFITS PAGE B7-3	HOW TO ORDER/NOMENCLATURE PAGE B7-5	SELECTION/DIMENSIONS PAGE B7-12	ACCESSORIES PAGE B7-14
--------------------------------	--	------------------------------------	---------------------------



SELECTION

Eccentric Collar Ball Bearings - Inch

Table 2: Easy Selection Table For Ball Bearing Mounted Units

Ring Size	Shaft Size SXR,SXV, SLX	Dynamic Capacity C (Lbs)	Static Capacity Co (Lbs)	L ₁₀ Life, Hours	Allowable Equivalent Radial Load Rating (Lbs.) At Various RPM*							
					50	150	250	500	750	1000	1500	1750
203	1/2 5/8	2,158	1079	20,000	550	380	320	255	225	205	175	170
				30,000	480	335	280	225	195	175	155	145
				40,000	440	305	255	205	175	160	140	135
				60,000	380	265	225	175	155	140	125	115
				100,000	320	225	190	150	130	120	105	100
204	3/4	2,899	1482	20,000	740	515	435	345	300	275	240	225
				30,000	645	450	380	300	260	240	210	200
				40,000	590	410	345	275	240	215	190	180
				60,000	515	355	300	240	210	190	165	155
				100,000	435	300	255	200	175	160	140	130
205	7/8 15/16 1	3,146	1769	20,000	805	560	470	375	325	295	260	245
				30,000	705	485	410	325	285	260	225	215
				40,000	640	445	375	295	260	235	205	195
				60,000	560	385	325	260	225	205	180	170
				100,000	470	325	275	220	190	175	150	145
206	1-1/16 1-1/8 1-3/16 1-1/4	4,368	2538	20,000	1115	775	655	520	455	410	360	340
				30,000	975	675	570	455	395	360	315	300
				40,000	885	615	520	410	360	325	285	270
				60,000	775	535	455	360	315	285	250	235
				100,000	655	455	380	305	265	240	210	200
207	1-1/4 1-5/16 1-3/8 1-7/16	5,759	3461	20,000	1475	1020	860	685	595	545	475	450
				30,000	1285	890	755	595	520	475	415	395
				40,000	1170	810	685	545	475	430	375	355
				60,000	1020	710	595	475	415	375	330	310
				100,000	860	595	505	400	350	315	275	265
208	1-1/2	7,332	4475	20,000	1875	1300	1095	870	760	690	605	575
				30,000	1640	1135	960	760	665	605	525	500
				40,000	1490	1030	870	690	605	550	480	455
				60,000	1300	900	760	605	525	480	420	400
				100,000	1095	760	640	510	445	405	355	335
209	1-5/8 1-11/16 1-3/4	7,891	4906	20,000	2020	1400	1180	935	820	745	650	615
				30,000	1765	1225	1030	820	715	650	570	540
				40,000	1600	1110	935	745	650	590	515	490
				60,000	1400	970	820	650	570	515	450	430
				100,000	1180	820	690	550	480	435	380	360
210	1-15/16 2	7,891	5213	20,000	2020	1400	1180	935	820	745	650	615
				30,000	1765	1225	1030	820	715	650	570	540
				40,000	1600	1110	935	745	650	590	515	490
				60,000	1400	970	820	650	570	515	450	430
				100,000	1180	820	690	550	480	435	380	360
211	2-3/16	9,755	6588	20,000	2491	1727	1457	1156	1010	918	802	761
				30,000	2176	1509	1272	1010	882	802	700	665
				40,000	1977	1371	1156	918	802	728	636	604
				60,000	1727	1197	1010	802	700	636	556	528
				100,000	1457	1010	852	676	591	537	469	445
212	2-1/4 2-7/16	11,791	8100	20,000	3015	2090	1765	1400	1225	1110	970	925
				30,000	2635	1825	1540	1225	1070	970	880	805
				40,000	2395	1660	1400	1110	970	880	770	730
				60,000	2090	1450	1225	970	850	770	675	640
				100,000	1765	1225	1030	820	715	650	570	540
215	2-15/16	14,872	11108	20,000	3805	2640	225	1765	1545	1400	1225	1165
				30,000	3325	2305	1945	1545	1350	1225	1070	1015
				40,000	3020	2095	1765	1400	1225	1115	975	925
				60,000	2640	1830	1545	1225	1070	975	850	805
				100,000	2225	1545	1300	1035	905	820	715	680

* Slight interference fit required when operating in the shaded area

Note: Bearing analysis program "BEST" is available on www.ptwizard.com

FEATURES/BENEFITS PAGE B7-3	HOW TO ORDER/NOMENCLATURE PAGE B7-5	SELECTION/DIMENSIONS PAGE B7-12	ACCESSORIES PAGE B7-14
--------------------------------	--	------------------------------------	---------------------------



SELECTION

Eccentric Collar Ball Bearings - Metric

Table 2 (Continued): Easy Selection Table for Ball Bearing Mounted Units

Ring Size	Shaft Size SXR,SXV, SLX	Dynamic Capacity C (N)	Static Capacity Co (N)	L ₁₀ Life, Hours	Allowable Equivalent Radial Load Rating (N) At Various RPM*							
					50	150	250	500	750	1000	1500	1750
203	17mm	9,600	4800	20,000	2446	1690	1423	1134	1001	912	778	758
				30,000	2135	1490	1245	1001	867	778	689	645
				40,000	1957	1357	1134	912	712	623	600	
				60,000	1690	1179	1001	778	689	623	556	512
				100,000	1423	1001	845	667	578	534	467	445
204	20mm	12,895	6592	20,000	3292	2291	1835	1535	1334	1223	1068	1001
				30,000	2869	2002	1690	1334	1156	1068	934	890
				40,000	2624	1824	1535	1223	1068	956	845	801
				60,000	2291	1579	1334	1068	934	845	734	689
				100,000	1935	1334	1134	890	778	712	623	578
205	25mm	13,995	7869	20,000	3581	2491	2091	1668	1446	1312	1156	1090
				30,000	3136	2157	1824	1446	1268	1156	1001	956
				40,000	2847	1979	1668	1312	1156	1045	912	867
				60,000	2491	1712	1446	1156	1001	912	801	756
				100,000	2091	1446	1223	979	845	778	667	645
206	30mm	19,438	11,290	20,000	4960	3447	2913	1313	2024	1824	1601	1512
				30,000	4337	3002	2535	2024	1757	1601	1401	1334
				40,000	3936	2736	2313	1824	1601	1446	1268	1201
				60,000	3447	2380	2024	1601	1401	1268	1112	1045
				100,000	2913	2024	1690	1357	1179	1068	934	890
207	35mm	25,628	15,395	20,000	6561	4537	3825	3047	2647	2424	2113	2002
				30,000	5716	3959	3358	2647	2313	2113	1846	1757
				40,000	5204	3603	3047	2424	2113	1913	1668	1579
				60,000	4537	3158	2647	2113	1846	1668	1468	1379
				100,000	3825	2647	2246	1779	1557	1401	1223	1179
208	40mm	32,627	19,906	20,000	8340	5782	4871	3870	3380	3069	2691	2558
				30,000	7295	5048	4270	3380	2958	2691	2335	2224
				40,000	6628	4581	3870	3069	2691	2446	2135	2024
				60,000	5782	4003	3380	2691	2335	2135	1868	1779
				100,000	4871	3380	2847	2268	1979	1801	1579	1490
209	45mm	35,115	21,823	20,000	8985	6227	5249	4159	3647	3314	2891	2736
				30,000	7851	5449	4581	3647	3180	2891	2535	2402
				40,000	7117	4937	4159	3314	2891	2624	2291	2180
				60,000	6227	4315	3647	2891	2535	2291	2002	1913
				100,000	5249	3647	3069	2446	2135	1935	1690	1601
210	50mm	35,115	23,189	20,000	8985	6227	5249	4159	3647	3314	2891	2736
				30,000	7851	5449	4581	3647	3180	2891	2535	2402
				40,000	7177	4937	4159	3314	2891	2624	2291	2180
				60,000	6227	4315	3647	2891	2535	2291	2002	1913
				100,000	5249	3647	3069	2446	2135	1935	1690	1601
211	55mm	43,394	29,305	20,000	11079	7682	6479	5142	4492	4082	3566	3387
				30,000	9678	6711	5660	4492	3924	3566	3115	2959
				40,000	8793	6097	5142	4082	3566	3240	2830	2688
				60,000	7682	5326	4492	3566	3115	2830	2472	2348
				100,000	6479	4492	3789	3007	2627	2387	2085	1981
212	60mm	52,470	36,031	20,000	13411	9296	7851	6227	5449	4937	4315	4114
				30,000	11720	8118	6850	5449	4759	4315	3914	3481
				40,000	10653	7384	6227	4937	4315	3914	3425	3247
				60,000	9296	6450	5449	4315	3781	3425	3002	2847
				100,000	7851	5449	4581	3647	3180	2891	2535	2402
215	75mm	66,180	49,411	20,000	16925	11743	9897	7851	6872	6227	5449	5182
				30,000	14790	10253	8651	6872	6005	5449	4759	4515
				40,000	13433	9319	7851	6227	5449	4960	4337	4114
				60,000	11743	8140	6872	5449	4759	4337	3781	3581
				100,000	9897	6872	5782	4604	4025	3647	3180	3025

* Slight interference fit required when operating in the shaded area

Note: Bearing analysis program "BEST" is available on www.ptwizard.com

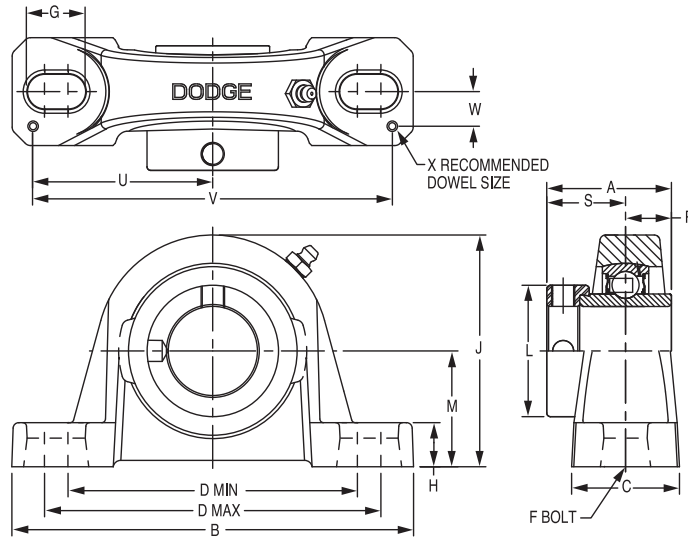
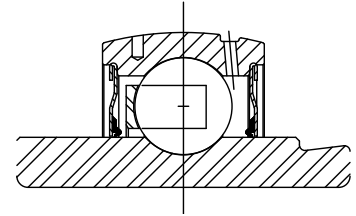
FEATURES/BENEFITS PAGE B7-3	HOW TO ORDER/NOMENCLATURE PAGE B7-5	SELECTION/DIMENSIONS PAGE B7-12	ACCESSORIES PAGE B7-14
--------------------------------	--	------------------------------------	---------------------------

Eccentric Collar Ball Bearings
Setscrew VSC Ball Bearing
Eccentric SXV Collar Ball Bearing
Take-Up Frames
Engineering
Part Number Index
Keyword Index



SELECTION/DIMENSIONS

Eccentric Collar Ball Bearings SXR AND SXRU NORMAL DUTY PILLOW BLOCKS



Series	Shaft Size	Standard		Sealed for Life	
		Part No.	Description	Part No.	Description
203	1/2	131800	P2B-SXR-008	@	P2B-SXR-008-NL
	5/8	131801	P2B-SXR-010	@	P2B-SXR-010-NL
	17mm	@	P2B-SXR-17M	@	P2B-SXR-17M-NL
203 (SXRU)	1/2	131341	P2B-SXRU-008	@	P2B-SXRU-008-NL
	5/8	131342	P2B-SXRU-010	@	P2B-SXRU-010-NL
	17mm	125655	P2B-SXRU-17M	@	P2B-SXRU-17M-NL
204	3/4	131802	P2B-SXR-012	@	P2B-SXR-012-NL
	20mm	125656	P2B-SXR-20M	@	P2B-SXR-20M-NL
205	7/8	131803	P2B-SXR-014	@	P2B-SXR-014-NL
	15/16	131804	P2B-SXR-015	@	P2B-SXR-015-NL
	1	131805	P2B-SXR-100	@	P2B-SXR-100-NL
	25mm	125657	P2B-SXR-25M	@	P2B-SXR-25M-NL
206	1-1/16	131806	P2B-SXR-101	@	P2B-SXR-101-NL
	1-1/8	131807	P2B-SXR-102	@	P2B-SXR-102-NL
	1-3/16	131808	P2B-SXR-103	@	P2B-SXR-103-NL
	1-1/4	064230	P2B-SXR-104S	@	P2B-SXR-104S-NL
	30mm	@	P2B-SXR-30M	@	P2B-SXR-30M-NL
206 (SXRU)	1-1/16	131895	P2B-SXRU-101	@	P2B-SXRU-101-NL
	1-1/8	131896	P2B-SXRU-102	@	P2B-SXRU-102-NL
	1-3/16	131897	P2B-SXRU-103	064882	P2B-SXRU-103-NL
	1-1/4	@	P2B-SXRU-104S	@	P2B-SXRU-104S-NL
	30mm	125658	P2B-SXRU-30M	@	P2B-SXRU-30M-NL
207	1-1/4	131809	P2B-SXR-104	054950	P2B-SXR-104-NL
	1-5/16	131810	P2B-SXR-105	@	P2B-SXR-105-NL
	1-3/8	131811	P2B-SXR-106	065616	P2B-SXR-106-NL
	1-7/16	131812	P2B-SXR-107	059667	P2B-SXR-107-NL
	35mm	125659	P2B-SXR-35M	@	P2B-SXR-35M-NL

@ Assembled to order

FEATURES/BENEFITS PAGE B7-3	HOW TO ORDER/NOMENCLATURE PAGE B7-5	EASY SELECTION PAGE B7-8	ACCESSORIES PAGE B7-44
--------------------------------	--	-----------------------------	---------------------------

SELECTION/DIMENSIONS



Eccentric Collar Ball Bearings SXR AND SXRU NORMAL DUTY PILLOW BLOCK

Eccentric Collar Ball Bearing

Setscrew VSC Ball Bearing

Eccentric SXV Collar Ball Bearing

Series	Shaft Size	Weight lbs kg	A	B	C	D		F Bolt Dia.	G	H	J	L	M	R	S	U	V	W	X	
						min.	max.													
203	1/2	1.2	1.47	5.00	1.20	3.25	4.06	3/8	0.84	0.47	2.14	1.13	1.06	0.55	0.92	2.25	4.50	0.38	0.12	
	5/8	1.0																		
	17mm	0.5	37.3	127.0	30.5	82.6	103.1	M10	21.3	11.9	54.4	28.7	27.0	14.0	23.4	57.2	114.3	9.7	3.0	
203 (SXRU)	1/2	1.2	1.47	5.00	1.20	3.25	4.06	3/8	0.84	0.59	2.27	1.13	1.19	0.55	0.92	2.25	4.50	0.38	0.12	
	5/8																			
	17mm	0.5	37.3	127.0	30.5	82.6	103.1	M10	21.3	15.0	57.7	28.7	30.2	14.0	23.4	57.2	114.3	9.7	3.0	
204	3/4	1.6	1.55	5.25	1.34	3.38	4.19	3/8	0.85	0.53	2.56	1.31	1.31	0.50	1.05	2.25	4.50	0.50	0.12	
	20mm	0.4	39.4	133.4	34.0	85.9	106.4	M10	21.6	13.5	65.0	33.3	33.3	12.7	26.7	57.2	114.3	12.7	3.0	
205	7/8	1.9	1.62	5.50	1.40	3.69	4.50	3/8	0.85	0.58	2.77	1.50	1.44	0.56	1.06	2.50	5.00	0.50	0.12	
	15/16	1.8																		
	1	1.7																		
206	25mm	0.6	41.1	139.7	35.6	93.7	114.3	M10	21.6	14.7	70.4	38.1	36.5	14.2	26.9	63.5	127.0	12.7	3.0	
	1-1/16	2.8	1.77	6.25	1.75	4.25	5.00	1/2	0.94	0.68	3.25	1.75	1.63	0.58	1.19	2.88	5.76	0.56	0.12	
	1-1/8	2.7																		
	1-3/16	2.6																		
206 (SXRU)	1-1/4	2.5																		
	30mm	1.1	45.0	158.8	44.5	108.0	127.0	M12	23.9	17.3	82.6	44.5	41.3	14.7	30.2	73.2	146.3	14.2	3.0	
	1-1/16	2.9	1.77	6.25	1.75	4.25	5.00	1/2	0.94	0.75	3.31	1.75	1.69	0.58	1.19	2.88	5.76	0.56	0.12	
	1-1/8	2.8																		
207	1-3/16	2.7																		
	1-1/4	2.6																		
	30mm	1.2	45.0	158.8	44.5	108.0	127.0	M12	23.9	19.1	84.1	44.5	42.9	14.7	30.2	73.2	146.3	14.2	3.0	
	1-1/4	4.6	1.95	6.50	1.75	4.68	5.44	1/2	0.94	0.71	3.75	2.13	1.88	0.67	1.28	2.91	5.82	0.56	0.12	
	1-5/16	4.5																		
207	1-3/8	4.4																		
	1-7/16	4.3																		
	35mm	1.9	49.5	165.1	44.5	118.9	138.2	M12	23.9	18.0	95.3	54.1	47.6	17.0	32.5	73.9	147.8	14.2	3.0	

Take-Up Frames

Engineering

Part Number Index

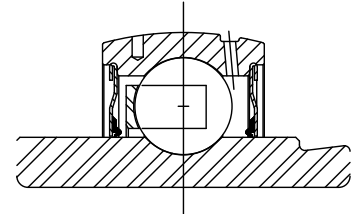
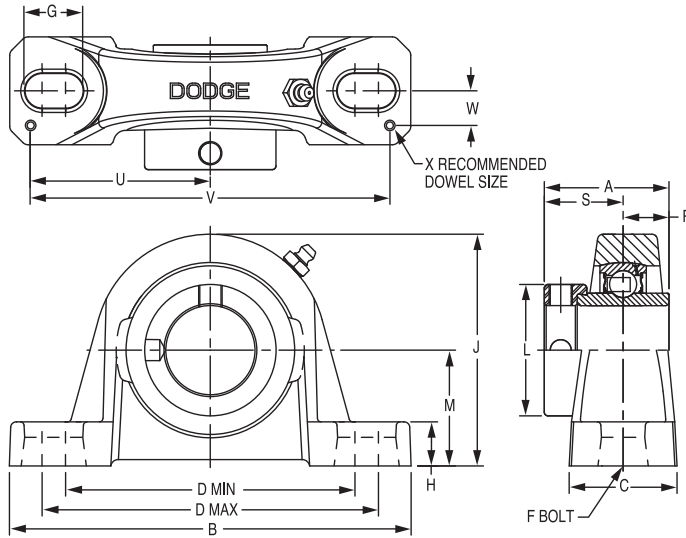
Keyword Index

FEATURES/BENEFITS PAGE B7-3	HOW TO ORDER/NOMENCLATURE PAGE B7-5	EASY SELECTION PAGE B7-8	ACCESSORIES PAGE B7-44
--------------------------------	--	-----------------------------	---------------------------



SELECTION/DIMENSIONS

Eccentric Collar Ball Bearings SXR AND SXRU NORMAL DUTY PILLOW BLOCK



Series	Shaft Size	Standard		Sealed for Life	
		Part No.	Description	Part No.	Description
208	1-1/2	131813	P2B-SXR-108	049841	P2B-SXR-108-NL
	40mm	@	P2B-SXR-40M	@	P2B-SXR-40M-NL
209	1-5/8	131814	P2B-SXR-110	052762	P2B-SXR-110-NL
	1-11/16	131815	P2B-SXR-111	049848	P2B-SXR-111-NL
	1-3/4	131816	P2B-SXR-112	@	P2B-SXR-112-NL
	45mm	125661	P2B-SXR-45M	@	P2B-SXR-45M-NL
210	1-15/16	131817	P2B-SXR-115	052763	P2B-SXR-115-NL
	2	131818	P2B-SXR-200	049843	P2B-SXR-200-NL
	50mm	125662	P2B-SXR-50M	@	P2B-SXR-50M-NL
211	2	131339	P2B-SXR-200L	@	P2B-SXR-200L-NL
	2-3/16	131819	P2B-SXR-203	@	P2B-SXR-203-NL
	55mm	125663	P2B-SXR-55M	@	P2B-SXR-55M-NL
212	2-1/4	131820	P2B-SXR-204	@	P2B-SXR-204-NL
	2-7/16	131821	P2B-SXR-207	049844	P2B-SXR-207-NL
	60mm	125664	P2B-SXR-60M	@	P2B-SXR-60M-NL
215	2-15/16	131432	P2B-SXR-215	@	P2B-SXR-215-NL
	75mm	@	P2B-SXR-75M	@	P2B-SXR-75M-NL
215 (SXRU)	2-15/16	131433	P2B-SXRU-215	@	P2B-SXRU-215-NL
	75mm	125665	P2B-SXRU-75M	@	P2B-SXRU-75M-NL

@ Assembled to order

FEATURES/BENEFITS PAGE B7-3	HOW TO ORDER/NOMENCLATURE PAGE B7-5	EASY SELECTION PAGE B7-8	ACCESSORIES PAGE B7-44
--------------------------------	--	-----------------------------	---------------------------

SELECTION/DIMENSIONS



Eccentric Collar Ball Bearings SXR AND SXRU NORMAL DUTY PILLOW BLOCK

Eccentric Collar Ball Bearing

Setscrew VSC Ball Bearing

Eccentric SXV Collar Ball Bearing

Take-Up Frames

Engineering

Part Number Index

Keyword Index

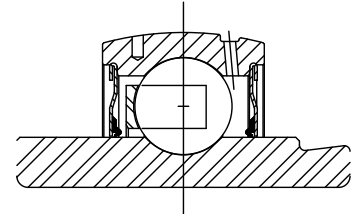
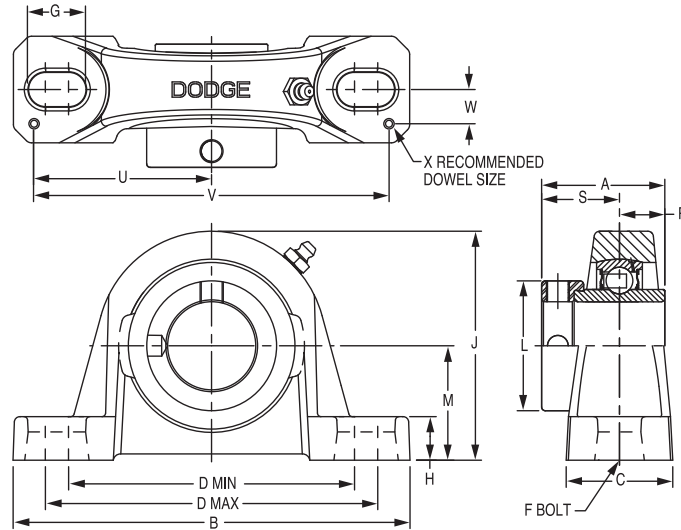
Series	Shaft Size	Weight lbs kg	A	B	C	D		F Bolt Dia.	G	H	J	L	M	R	S	U	V	W	X	
						min.	max.													
208	1-1/2	5.3	2.12	7.25	1.93	5.18	5.88	1/2	0.91	0.93	4.19	2.38	2.13	0.75	1.37	3.26	6.52	0.69	0.12	
	40mm	2.4	53.8	184.2	49.0	131.6	149.4	M12	23.1	23.6	106.4	60.5	54.0	19.1	34.8	82.8	165.6	17.5	3.0	
209	1-5/8	6.6	2.13	7.44	2.00	5.50	6.19	1/2	0.90	0.75	4.28	2.50	2.13	0.75	1.38	3.38	6.76	0.69	0.12	
	1-11/16	6.5																		
	1-3/4	6.4																		
	45mm	2.8	54.1	189.0	50.8	139.7	157.2	M12	22.9	19.1	108.7	63.5	54.0	19.1	35.1	85.9	171.7	17.5	3.0	
210	1-15/16	7.4	2.25	8.12	2.25	6.00	6.68	5/8	1.02	0.75	4.53	2.75	2.25	0.75	1.50	3.69	7.38	0.81	0.12	
	2	7.2																		
	50mm	3.2	57.2	206.2	57.2	152.4	169.7	M16	25.9	19.1	115.1	69.9	57.2	19.1	38.1	93.7	187.5	20.6	3.0	
211	2	9.8	2.59	8.88	2.30	6.38	7.44	5/8	1.21	0.88	4.96	3.00	2.50	0.88	1.71	3.94	7.88	0.81	0.12	
	2-3/16	9.3																		
	55mm	4.1	65.8	225.6	58.4	162.1	188.98	M16	30.7	22.4	126.0	76.2	63.5	22.4	43.4	100.1	200.2	20.6	3.0	
212	2-1/4	11.6	2.74	9.50	2.37	6.88	7.94	5/8	1.21	0.88	5.40	3.31	2.75	0.90	1.84	4.25	8.50	0.88	0.12	
	2-7/16	11.0																		
	60mm	5.0	69.6	241.3	60.2	174.8	201.7	M16	30.7	22.4	137.2	84.1	69.9	22.9	46.7	108.0	215.9	22.4	3.0	
215	2-15/16	21.0	3.02	11.75	2.88	8.50	9.50	7/8	1.44	1.00	6.75	4.00	3.50	0.86	2.16	5.48	10.96	1.04	0.12	
	75mm	9.3	76.7	298.5	73.2	215.9	241.3	M22	36.6	25.4	171.5	101.6	88.9	21.8	54.9	139.2	278.4	26.4	3.0	
215 (SXRU)	2-15/16	21.0	3.02	11.75	2.88	8.50	9.50	7/8	1.44	1.00	6.50	4.00	3.25	0.86	2.16	5.48	10.96	1.04	0.12	
	75mm	9.3	76.7	298.5	73.2	215.9	241.3	M22	36.6	25.4	165.1	101.6	82.6	21.8	54.9	139.2	278.4	26.4	3.0	

FEATURES/BENEFITS PAGE B7-3	HOW TO ORDER/NOMENCLATURE PAGE B7-5	EASY SELECTION PAGE B7-8	ACCESSORIES PAGE B7-44
--------------------------------	--	-----------------------------	---------------------------



SELECTION/DIMENSIONS

Eccentric Collar Ball Bearings SXR NORMAL DUTY PILLOW BLOCK



Series	Shaft Size	Standard		With Flingers	
		Part No.	Description	Part No.	Description
203 (SXR)	1/2	131800	P2B-SXR-008	@	P2B-SXR-008-FF
	5/8	131801	P2B-SXR-010	@	P2B-SXR-010-FF
	17mm	@	P2B-SXR-17M	@	P2B-SXR-17M-FF
204	3/4	131830	P2B-SXRB-012	068195	P2B-SXRB-012-FF
	20mm	@	P2B-SXRB-20M	@	P2B-SXRB-20M-FF
205	7/8	131831	P2B-SXRB-014	@	P2B-SXRB-014-FF
	15/16	131832	P2B-SXRB-015	@	P2B-SXRB-015-FF
	1	131833	P2B-SXRB-100	068196	P2B-SXRB-100-FF
	25mm	@	P2B-SXRB-25M	@	P2B-SXRB-25M-FF
206	1-1/16	131834	P2B-SXRB-101	@	P2B-SXRB-101-FF
	1-1/8	131835	P2B-SXRB-102	068197	P2B-SXRB-102-FF
	1-3/16	131836	P2B-SXRB-103	068198	P2B-SXRB-103-FF
	1-1/4	068743	P2B-SXRB-104S	@	P2B-SXRB-104S-FF
207	30mm	@	P2B-SXRB-30M	@	P2B-SXRB-30M-FF
	1-1/4	131837	P2B-SXRB-104	068199	P2B-SXRB-104-FF
	1-5/16	131838	P2B-SXRB-105	@	P2B-SXRB-105-FF
	1-3/8	131839	P2B-SXRB-106	068200	P2B-SXRB-106-FF
	1-7/16	131840	P2B-SXRB-107	068201	P2B-SXRB-107-FF
	35mm	@	P2B-SXRB-35M	@	P2B-SXRB-35M-FF

@ Assembled to order

FEATURES/BENEFITS PAGE B7-3	HOW TO ORDER/NOMENCLATURE PAGE B7-5	EASY SELECTION PAGE B7-8	ACCESSORIES PAGE B7-44
--------------------------------	--	-----------------------------	---------------------------

SELECTION/DIMENSIONS



Eccentric Collar Ball Bearings SXR Normal Duty Pillow Block

Eccentric Collar Ball Bearing

Setscrew VSC Ball Bearing

Eccentric SXV Collar Ball Bearing

Series	Shaft Size	Weight lbs. kg.	A	B	C	D		F Bolt Dia.	G	H	J	L	M	R	S	U	V	W	X	
						min.	max.													
203 (SXR)	1/2	1.2	1.47	5.00	1.20	3.25	4.06	3/8	0.84	0.47	2.14	1.13	1.06	0.55	0.92	2.25	4.50	0.38	0.12	
	5/8	1.0																		
	17mm	.5	37.3	127.0	30.5	82.6	103.1	M10	21.3	11.9	54.4	28.7	26.9	14.0	23.4	57.2	114.3	9.7	3.0	
204	3/4	1.5	1.55	5.25	1.34	3.38	4.19	3/8	0.85	0.47	2.49	1.31	1.25	0.50	1.05	2.25	4.50	0.50	0.12	
	20mm	.7	39.4	133.4	34.0	85.9	106.4	M10	21.6	11.9	63.2	33.3	31.8	12.7	26.7	57.2	114.3	12.7	3.0	
205	7/8	1.8	1.62	5.50	1.40	3.69	4.50	3/8	0.85	0.45	2.64	1.50	1.31	0.56	1.06	2.50	5.00	0.50	0.12	
	15/16	1.7																		
	1	1.6																		
206	25mm	.8	41.1	139.7	35.6	93.7	114.3	M10	21.6	11.4	67.1	38.1	33.3	14.2	26.9	63.5	127.0	12.7	3.0	
	1-1/16	2.7	1.77	6.25	1.75	4.25	5.00	1/2	0.94	0.62	3.19	1.75	1.56	0.58	1.19	2.88	5.76	0.56	0.12	
	1-1/8	2.6																		
	1-3/16	2.5																		
207	1-1/4	2.4																		
	30mm	1.1	45.0	158.8	44.5	108.0	127.0	M12	23.9	15.8	81.0	44.5	39.6	14.7	30.2	73.2	146.3	14.2	3.0	
	1-1/4	4.4	1.95	6.50	1.75	4.68	5.44	1/2	0.94	0.65	3.69	2.13	1.81	0.67	1.28	2.91	5.82	0.56	0.12	
207	1-5/16	4.3																		
	1-3/8	4.2																		
	1-7/16	4.1																		
	35mm	1.9	49.5	165.1	44.5	118.9	138.2	M12	23.9	16.5	93.7	54.1	46.0	17.0	32.5	73.9	147.8	14.2	3.0	

Take-Up Frames

Engineering

Part Number Index

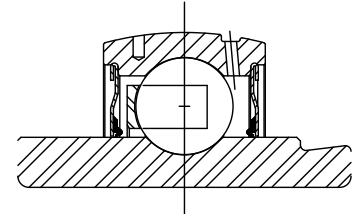
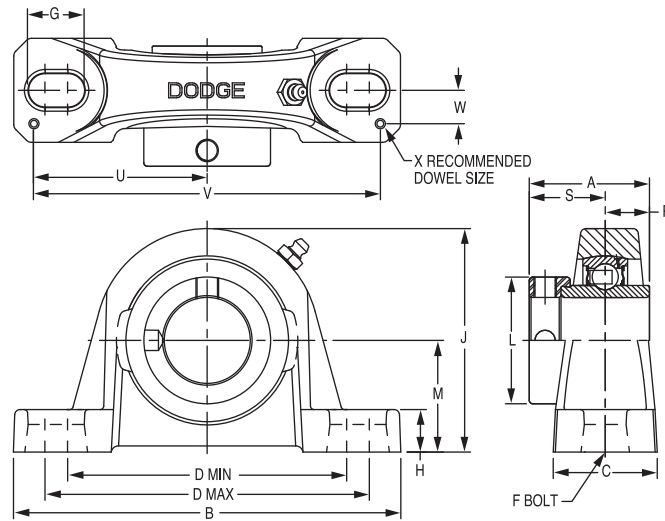
Keyword Index

FEATURES/BENEFITS PAGE B7-3	HOW TO ORDER/NOMENCLATURE PAGE B7-5	EASY SELECTION PAGE B7-8	ACCESSORIES PAGE B7-44
--------------------------------	--	-----------------------------	---------------------------



SELECTION/DIMENSIONS

Eccentric Collar Ball Bearings SXRБ NORMAL DUTY PILLOW BLOCK



Series	Shaft Size	Standard		With Flingers	
		Part No.	Description	Part No.	Description
208	1-1/2	131841	P2B-SXRБ-108	068202	P2B-SXRБ-108-FF
	40mm	125660	P2B-SXRБ-40M	@	P2B-SXRБ-40M-FF
209	1-5/8	131842	P2B-SXRБ-110	068203	P2B-SXRБ-110-FF
	1-11/16	131843	P2B-SXRБ-111	068204	P2B-SXRБ-111-FF
	1-3/4	131844	P2B-SXRБ-112	068205	P2B-SXRБ-112-FF
	45mm	@	P2B-SXRБ-45M	@	P2B-SXRБ-45M-FF
210	1-15/16	131845	P2B-SXRБ-115	068206	P2B-SXRБ-115-FF
	2	131846	P2B-SXRБ-200	@	P2B-SXRБ-200-FF
	50mm	@	P2B-SXRБ-50M	@	P2B-SXRБ-50M-FF
211	2	131340	P2B-SXRБ-200L	@	P2B-SXRБ-200L-FF
	2-3/16	131847	P2B-SXRБ-203	@	P2B-SXRБ-203-FF
	55mm	@	P2B-SXRБ-55M	@	P2B-SXRБ-55M-FF
212	2-1/4	131848	P2B-SXRБ-204	@	P2B-SXRБ-204-FF
	2-7/16	131849	P2B-SXRБ-207	@	P2B-SXRБ-207-FF
215	60mm	@	P2B-SXRБ-60M	@	P2B-SXRБ-60M-FF
	2-15/16	131434	P2B-SXRБ-215	@	P2B-SXRБ-215-FF
	75mm	@	P2B-SXRБ-75M	@	P2B-SXRБ-75M-FF

@ Assembled to order

FEATURES/BENEFITS PAGE B7-3	HOW TO ORDER/NOMENCLATURE PAGE B7-5	EASY SELECTION PAGE B7-8	ACCESSORIES PAGE B7-44
--------------------------------	--	-----------------------------	---------------------------

SELECTION/DIMENSIONS



Eccentric Collar Ball Bearings SXR Normal Duty Pillow Block

Eccentric Collar Ball Bearing
Setscrew VSC Ball Bearing
Eccentric SXV Collar Ball Bearing
Take-Up Frames
Engineering
Part Number Index
Keyword Index

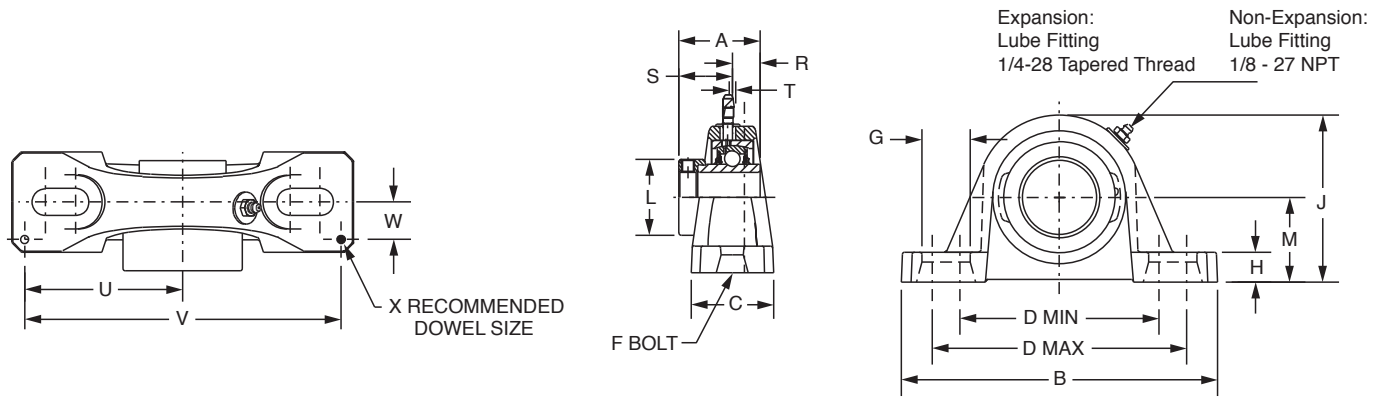
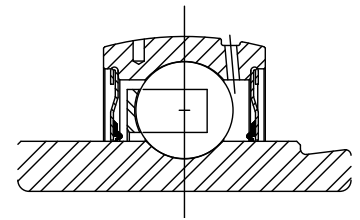
Series	Shaft Size	Weight lbs. kg.	A	B	C	D		F Bolt Dia.	G	H	J	L	M	R	S	U	V	W	X
						min.	max.												
208	1-1/2	5.0	2.12	7.25	1.93	5.18	5.88	1/2	0.91	0.75	4.00	2.38	1.94	0.75	1.37	3.26	6.52	0.69	0.12
	40mm	2.2	53.8	184.2	49.0	131.6	149.4	M12	23.1	19.1	101.6	60.5	49.3	19.1	34.8	82.8	165.6	17.5	3.0
209	1-5/8	6.4	2.13	7.44	2.00	5.50	6.19	1/2	0.90	0.69	4.21	2.50	2.06	0.75	1.38	3.38	6.76	0.69	0.12
	1-11/16	6.3																	
	1-3/4	6.2																	
210	45mm	2.8	54.1	189.0	50.8	139.7	157.2	M12	22.9	17.5	106.9	63.5	52.3	19.1	35.1	85.9	171.7	17.5	3.0
	1-15/16	7.2	2.25	8.12	2.25	6.00	6.68	5/8	1.02	0.68	4.47	2.75	2.19	0.75	1.50	3.69	7.38	0.81	0.12
	2	7.0																	
211	50mm	3.2	57.2	206.2	57.2	152.4	169.7	M16	25.9	17.3	113.5	69.9	55.6	19.1	38.1	93.7	187.5	20.6	3.0
	2	9.5	2.59	8.88	2.30	6.38	7.44	5/8	1.21	0.81	4.90	3.00	2.44	0.88	1.71	3.94	7.88	0.81	0.12
	2-3/16	9.0																	
212	55mm	4.2	65.8	225.6	58.4	162.1	189.0	M16	30.7	20.6	124.5	76.2	62.0	22.4	43.4	100.1	200.2	20.6	3.0
	2-1/4	11.4	2.74	9.50	2.37	6.88	7.94	5/8	1.21	0.81	5.34	3.31	2.69	0.90	1.84	4.25	8.50	0.88	0.12
	2-7/16	10.4																	
215	60mm	5.1	69.6	241.3	60.2	174.8	201.7	M16	30.7	20.6	135.6	84.1	68.3	22.9	46.7	108.0	215.9	22.4	3.0
	2-15/16	21.0	3.02	11.75	2.88	8.50	9.50	7/8	1.44	1.06	6.56	4.00	3.31	0.86	2.16	5.48	10.96	1.04	0.12
	75mm	9.3	76.7	298.5	73.2	215.9	241.3	M22	36.6	26.9	166.6	101.6	84.1	21.8	54.9	139.2	278.4	26.4	3.0

FEATURES/BENEFITS PAGE B7-3	HOW TO ORDER/NOMENCLATURE PAGE B7-5	EASY SELECTION PAGE B7-8	ACCESSORIES PAGE B7-44
--------------------------------	--	-----------------------------	---------------------------



SELECTION/DIMENSIONS

Eccentric Collar Ball Bearings SXRH-E EXPANSION AND SXR NON-EXPANSION NORMAL DUTY PILLOW BLOCKS



Series	Shaft Size	Expansion		Non-Expansion	
		Part Number	Description	Part Number	Description
206	1 1/16	@	P2B-SXRH-101-E	-----	-----
	1 1/8	@	P2B-SXRH-102-E	-----	-----
	1 3/16	126415	P2B-SXRH-103-E	129218	P2B-GTM-103
	1 1/4	@	P2B-SXRH-104S-E	129161	P2B-GT-104
	30mm	@	<i>P2B-SXRH-30M-E</i>	129049	<i>P2B-GTM-30M</i>
207	1 1/4	@	P2B-SXRH-104-E	-----	-----
	1 5/16	@	P2B-SXRH-105-E	-----	-----
	1 3/8	@	P2B-SXRH-106-E	-----	-----
	1 7/16	126416	P2B-SXRH-107-E	129219	P2B-GTM-107
209	35mm	@	<i>P2B-SXRH-35M-E</i>	136259	<i>P2B-GTM-35M</i>
	1 5/8	@	P2B-SXRH-110-E	-----	-----
	1 11/16	@	P2B-SXRH-111-E	129221	P2B-GTM-111
	1 3/4	062500	P2B-SXRH-112-E	129222	P2B-GTM-112
210	45mm	@	<i>P2B-SXRH-45M-E</i>	136261	<i>P2B-GTM-45M</i>
	1 15/16	126417	P2B-SXRH-115-E	129223	P2B-GTM-115
	2	@	P2B-SXRH-200-E	129224	P2B-GTM-200
211	50mm	@	<i>P2B-SXRH-50M-E</i>	136262	<i>P2B-GTM-50M</i>
	2 3/16	126418	P2B-SXRH-203-E	129225	P2B-GTM-203
212	55mm	@	<i>P2B-SXRH-55M-E</i>	136263	<i>P2B-GTM-55M</i>
	2 7/16	126419	P2B-SXRH-207-E	129227	P2B-GTM-207
	60mm	@	<i>P2B-SXRH-60M-E</i>	068071	<i>P2B-GTM-60M</i>

@ Assembled to order

FEATURES/BENEFITS PAGE B7-3	HOW TO ORDER/NOMENCLATURE PAGE B7-5	EASY SELECTION PAGE B7-8	ACCESSORIES PAGE B7-44
--------------------------------	--	-----------------------------	---------------------------

SELECTION/DIMENSIONS



Eccentric Collar Ball Bearings SXRH-E EXPANSION AND SXR NON-EXPANSION NORMAL DUTY PILLOW BLOCKS

Series	Shaft Size	Weight lbs. kg	A	B	C	D		F Bolt Dia.	G	H
						min.	max.			
206	1-1/16	5.4	1.77	6.50	1.75	4.68	5.44	1/2	0.94	0.71
	1-1/8	5.3								
	1-3/16	5.2								
	1-1/4	5.1								
	30mm	2.3	45.0	165.1	44.5	118.9	138.2	M12	23.9	18.0
207	1-1/4	7.5	1.95	7.25	1.93	5.18	5.88	1/2	0.91	0.93
	1-5/16	7.4								
	1-3/8	7.3								
	1-7/16	7.2								
	35mm	3.3	49.5	184.2	49.0	131.6	149.4	M12	23.1	23.6
209	1-5/8	9.3	2.13	8.12	2.25	6.00	6.68	5/8	1.02	0.75
	1-11/16	9.2								
	1-3/4	9.1								
	45mm	4.1	54.1	206.2	57.2	152.4	169.7	M16	25.9	19.1
210	1-15/16	11.1	2.25	8.88	2.30	6.38	7.44	5/8	1.21	0.88
	2	11.0								
	50mm	5.0	57.2	225.6	58.4	162.1	189.0	M16	30.7	22.4
211	2-3/16	16.3	2.59	9.50	2.37	6.88	7.94	5/8	1.21	0.88
	55mm	7.4	65.8	241.3	60.2	174.8	201.7	M16	30.7	22.4
212	2-7/16	21.4	2.74	10.75	2.69	7.50	8.50	3/4	1.32	0.94
	60mm	9.7	69.6	273.1	68.3	190.5	215.9	M18	33.5	23.8

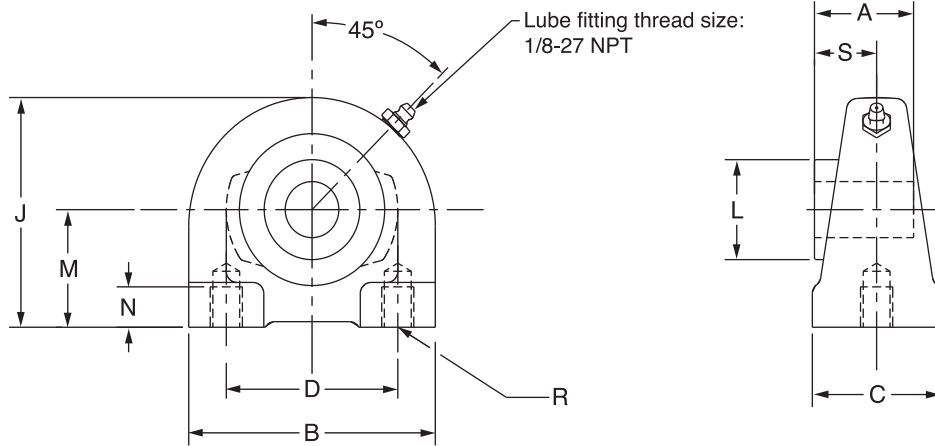
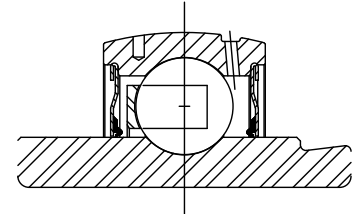
Series	Shaft Size	J	L	M	R	S	T Total Expansion	U	V	W	X
206	1-1/16	3.75	1.75	1.88	0.58	1.19	0.16	2.91	5.82	0.56	0.12
	1-1/8										
	1-3/16										
	1-1/4										
	30mm	95.3	44.5	47.8	14.7	30.2	4.1	73.9	147.8	14.2	3.0
207	1-1/4	4.19	2.13	2.13	0.67	1.28	0.16	3.26	6.52	0.69	0.12
	1-5/16										
	1-3/8										
	1-7/16										
	35mm	106.4	54.1	54.1	17.0	32.5	4.1	82.8	165.6	17.5	3.0
209	1-5/8	4.53	2.50	2.25	0.75	1.38	0.25	3.69	7.38	0.81	0.12
	1-11/16										
	1-3/4										
	45mm	115.1	63.5	57.2	19.1	35.1	6.4	93.7	187.5	20.6	3.0
210	1-15/16	4.96	2.75	2.50	0.75	1.50	0.22	3.94	7.88	0.81	0.12
	2										
	50mm	126.0	69.9	63.5	19.1	38.1	5.6	100.1	200.2	20.6	3.0
211	2-3/16	5.40	3.00	2.75	0.88	1.71	0.22	4.25	8.50	0.88	0.12
	55mm	137.2	76.2	69.9	22.4	43.4	5.6	108.0	215.9	22.4	3.0
212	2-7/16	6.09	3.31	3.00	0.90	1.84	0.22	4.88	9.76	0.94	0.12
	60mm	154.7	84.1	76.2	22.9	46.7	5.6	124.0	247.9	23.9	3.0

FEATURES/BENEFITS PAGE B7-3	HOW TO ORDER/NOMENCLATURE PAGE B7-5	EASY SELECTION PAGE B7-8	ACCESSORIES PAGE B7-44
--------------------------------	--	-----------------------------	---------------------------



SELECTION/DIMENSIONS

Eccentric Collar Ball Bearings SXR NORMAL DUTY TAPPED BASE PILLOW BLOCKS



Series	Shaft Size	Part No.	Description
204	3/4	053219	TB-SXR-012
	20mm	053411	TB-SXR-20M
205	7/8	@	TB-SXR-014
	15/16	@	TB-SXR-015
	1	051885	TB-SXR-100
	25mm	053412	TB-SXR-25M
206	1-1/16	@	TB-SXR-101
	1-1/8	053339	TB-SXR-102
	1-3/16	057692	TB-SXR-103
	1-1/4	067926	TB-SXR-104S
	30mm	053413	TB-SXR-30M
207	1-1/4	062307	TB-SXR-104
	1-5/16	@	TB-SXR-105
	1-3/8	064536	TB-SXR-106
	1-7/16	049802	TB-SXR-107
	35mm	053414	TB-SXR-35M
208	1-1/2	064910	TB-SXR-108
	40mm	053415	TB-SXR-40M
209	1-5/8	@	TB-SXR-110
	1-11/16	068118	TB-SXR-111
	1-3/4	049787	TB-SXR-112
	45mm	053416	TB-SXR-45M
210	1-15/16	049803	TB-SXR-115
	2	@	TB-SXR-200
	50mm	053417	TB-SXR-50M
211	2	@	TB-SXR-200L
	2-3/16	@	TB-SXR-203
	55mm	053418	TB-SXR-55M

@ Assembled to order.

SELECTION/DIMENSIONS



Eccentric Collar Ball Bearings SXR NORMAL DUTY TAPPED BASE PILLOW BLOCKS

Series	Shaft Size	Weight lbs. kg	A	B	C	D	J	L	M	N Min. Tap Depth	R Bolt Hole UNC-Thread	S
204	3/4	1.5	1.55	2.88	1.50	2.00	2.56	1.31	1.31	0.50	3/8-16	1.05
	20mm	0.6	39.4	73.2	38.1	50.8	65.0	33.3	33.4	12.7	M8x1.25	26.7
205	7/8	2.2	1.62	3.00	1.50	2.00	2.81	1.50	1.44	0.50	3/8-16	1.06
	15/16	2.1										
	1	2.0										
206	25mm	0.8	41.1	76.2	38.1	50.8	71.4	38.1	36.5	12.7	M10x1.5	26.9
	1-1/16	3.2	1.77	4.00	1.50	3.00	3.38	1.75	1.69	0.63	7/16-14	1.19
	1-1/8	3.0										
	1-3/16	2.8										
207	1-1/4	2.6										
	30mm	1.1	45.0	101.6	38.1	76.2	85.9	44.5	42.9	16.0	M10x1.5	30.2
	1-1/4	4.4	1.95	4.25	1.88	3.25	3.75	2.13	1.88	0.75	1/2-13	1.28
	1-5/16	4.2										
	1-3/8	4										
208	1-7/16	3.8										
	35mm	1.4	49.5	108.0	47.8	82.6	95.3	54.1	47.6	19.1	M10x1.5	32.5
	1-1/2	4.8	2.12	4.63	1.88	3.50	3.94	2.38	1.94	0.75	1/2-13	1.37
209	40mm	1.8	53.8	117.6	47.8	88.9	100.1	60.5	49.2	19.1	M12x1.75	34.8
	1-5/8	5.9	2.13	5.00	2.00	3.75	4.25	2.50	2.13	0.75	1/2-13	1.38
	1-11/16	5.7										
	1-3/4	5.5										
210	45mm	2.1	54.1	127.0	50.8	95.3	108.0	63.5	54.0	19.1	M12x1.75	35.1
	1-15/16	6.5	2.25	5.50	2.00	4.00	4.63	2.75	2.25	0.88	5/8-11	1.50
	2	6.3										
211	50mm	2.4	57.2	139.7	50.8	101.6	117.6	69.9	57.2	22.4	M16x2	38.1
	2	9.2	2.59	5.50	2.00	4.00	4.63	3.00	2.25	0.88	5/8-11	1.71
	2-3/16	9										
211	55mm	3.3	65.8	139.7	50.8	101.6	117.6	76.2	57.2	22.4	M16x2	43.4

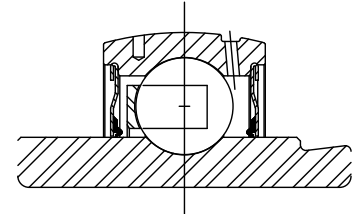
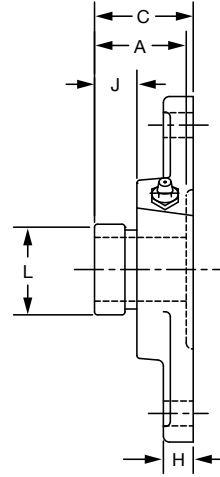
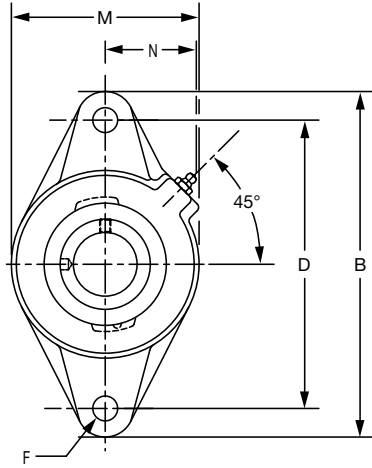
FEATURES/BENEFITS PAGE B7-3	HOW TO ORDER/NOMENCLATURE PAGE B7-5	EASY SELECTION PAGE B7-8	ACCESSORIES PAGE B7-44
--------------------------------	--	-----------------------------	---------------------------

Eccentric Collar Ball Bearing
 Setscrew VSC Ball Bearing
 Eccentric SXV Collar Ball Bearing
 Take-Up Frames
 Engineering
 Part Number Index
 Keyword Index



SELECTION/DIMENSIONS

Eccentric Collar Ball Bearings SXR NORMAL DUTY 2-BOLT FLANGE BEARINGS



Series	Shaft Size	Standard		No Lube/Sealed for Life (-NL)		With Flingers	
		Part No.	Description	Part No.	Description	Part No.	Description
203	1/2	131050	F2B-SXR-008	@	F2B-SXR-008-NL	@	F2B-SXR-008-FF
	5/8	131052	F2B-SXR-010	131079	F2B-SXR-010-NL	@	F2B-SXR-010-FF
	17mm	125677	F2B-SXR-17M	@	F2B-SXR-17M-NL	@	F2B-SXR-17M-FF
204	3/4	131054	F2B-SXR-012	@	F2B-SXR-012-NL	@	F2B-SXR-012-FF
	20mm	125678	F2B-SXR-20M	@	F2B-SXR-20M-NL	@	F2B-SXR-20M-FF
205	7/8	131056	F2B-SXR-014	@	F2B-SXR-014-NL	@	F2B-SXR-014-FF
	15/16	131057	F2B-SXR-015	@	F2B-SXR-015-NL	@	F2B-SXR-015-FF
	1	131058	F2B-SXR-100	@	F2B-SXR-100-NL	050951	F2B-SXR-100-FF
	25mm	125679	F2B-SXR-25M	@	F2B-SXR-25M-NL	@	F2B-SXR-25M-FF
206	1-1/16	131059	F2B-SXR-101	@	F2B-SXR-101-NL	@	F2B-SXR-101-FF
	1-1/8	131060	F2B-SXR-102	@	F2B-SXR-102-NL	@	F2B-SXR-102-FF
	1-3/16	131061	F2B-SXR-103	065635	F2B-SXR-103-NL	053617	F2B-SXR-103-FF
	1-1/4	049879	F2B-SXR-104S	068866	F2B-SXR-104S-NL	@	F2B-SXR-104S-FF
	30mm	125680	F2B-SXR-30M	@	F2B-SXR-30M-NL	@	F2B-SXR-30M-FF
207	1-1/4	131063	F2B-SXR-104	@	F2B-SXR-104-NL	130880	F2B-SXR-104-FF
	1-5/16	131064	F2B-SXR-105	@	F2B-SXR-105-NL	@	F2B-SXR-105-FF
	1-3/8	131065	F2B-SXR-106	@	F2B-SXR-106-NL	068213	F2B-SXR-106-FF
	1-7/16	131066	F2B-SXR-107	050839	F2B-SXR-107-NL	053326	F2B-SXR-107-FF
	35mm	125681	F2B-SXR-35M	@	F2B-SXR-35M-NL	@	F2B-SXR-35M-FF
208	1-1/2	131067	F2B-SXR-108	@	F2B-SXR-108-NL	068214	F2B-SXR-108-FF
	40mm	125682	F2B-SXR-40M	@	F2B-SXR-40M-NL	@	F2B-SXR-40M-FF
209	1-5/8	131070	F2B-SXR-110	@	F2B-SXR-110-NL	@	F2B-SXR-110-FF
	1-11/16	131071	F2B-SXR-111	052729	F2B-SXR-111-NL	@	F2B-SXR-111-FF
	1-3/4	131072	F2B-SXR-112	@	F2B-SXR-112-NL	068215	F2B-SXR-112-FF
	45mm	125683	F2B-SXR-45M	@	F2B-SXR-45M-NL	@	F2B-SXR-45M-FF
210	1-15/16	131075	F2B-SXR-115	056784	F2B-SXR-115-NL	@	F2B-SXR-115-FF
	2	131077	F2B-SXR-200	@	F2B-SXR-200-NL	@	F2B-SXR-200-FF
	50mm	125684	F2B-SXR-50M	@	F2B-SXR-50M-NL	@	F2B-SXR-50M-FF
211	2	@	F2B-SXR-200L	@	F2B-SXR-200L-NL	@	F2B-SXR-200L-FF
	2-3/16	131074	F2B-SXR-203	@	F2B-SXR-203-NL	068216	F2B-SXR-203-FF
	55mm	056862	F2B-SXR-55M	@	F2B-SXR-55M-NL	@	F2B-SXR-55M-FF

@ Assembled to order

FEATURES/BENEFITS PAGE B7-3	HOW TO ORDER/NOMENCLATURE PAGE B7-5	EASY SELECTION PAGE B7-8	ACCESSORIES PAGE B7-44
--------------------------------	--	-----------------------------	---------------------------

Eccentric Collar Ball Bearings
 Setscrew WSC Ball Bearing
 Eccentric SXV Collar Ball Bearing
 Take-Up Frames
 Engineering
 Part Number Index
 Keyword Index

SELECTION/DIMENSIONS



Eccentric Collar Ball Bearings SXR NORMAL DUTY 2-BOLT FLANGE BEARINGS

Series	Shaft Size	Weight lbs kg	A	B	C	D	F Bolt Dia.	H	J	L	M	N
203	1/2	0.9	1.47	3.88	1.45	3.00	3/8	0.38	0.61	1.13	2.13	1.13
	5/8	0.8										
	17mm	0.4	37.3	98.6	36.8	76.2	M10	9.7	15.5	28.7	54.1	28.7
204	3/4	1.2	1.55	4.41	1.66	3.53	3/8	0.50	0.68	1.31	2.38	1.50
	20mm	0.5	39.4	112.0	42.2	89.7	M10	12.7	17.3	33.3	60.5	38.1
205	7/8	1.7	1.62	4.88	1.65	3.89	7/16	0.52	0.70	1.50	2.75	1.44
	15/16	1.6										
	1	1.5										
206	25mm	0.7	41.1	124.0	41.9	98.8	M10	13.2	17.8	38.1	69.9	36.6
	1-1/16	2.4	1.77	5.56	1.81	4.59	7/16	0.50	0.74	1.75	3.13	1.56
	1-1/8	2.3										
207	1-3/16	2.2										
	1-1/4	2.1										
	30mm	1.0	45.0	141.2	46.0	116.7	M10	12.7	18.8	44.5	79.5	39.6
208	1-1/4	3.6	1.95	6.13	1.99	5.12	1/2	0.56	0.77	2.13	3.75	1.84
	1-5/16	3.5										
	1-3/8	3.4										
209	1-7/16	3.3										
	35mm	1.5	49.5	155.7	50.5	130.0	M12	14.2	19.6	54.1	95.3	46.7
	1-1/2	4.3	2.12	6.75	2.15	5.66	1/2	0.56	0.81	2.38	4.13	1.83
210	40mm	1.9	53.8	171.5	54.6	143.8	M12	14.2	20.6	60.5	104.9	46.5
	1-5/8	5.3	2.13	7.06	2.18	5.84	1/2	0.63	0.77	2.50	4.38	1.91
	1-11/16	5.1										
211	1-3/4	4.9										
	45mm	2.2	54.1	179.3	55.4	148.3	M14	16.0	19.6	63.5	111.3	48.5
	1-15/16	5.8	2.25	7.44	2.33	6.19	1/2	0.63	0.86	2.75	4.56	2.03
211	2	5.6										
	50mm	2.6	57.2	189.0	59.2	157.2	M16	16.0	21.8	69.9	115.8	51.6
	2	7.8	2.59	8.63	2.65	7.25	5/8	0.67	1.05	3.00	5.25	2.27
211	2-3/16	7.6										
	55mm	3.5	65.8	219.2	67.3	184.2	M16	17.0	26.7	76.2	133.4	57.7

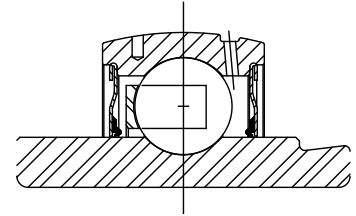
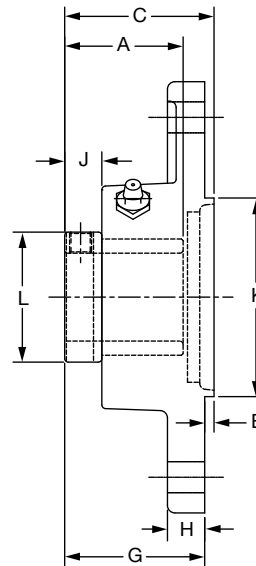
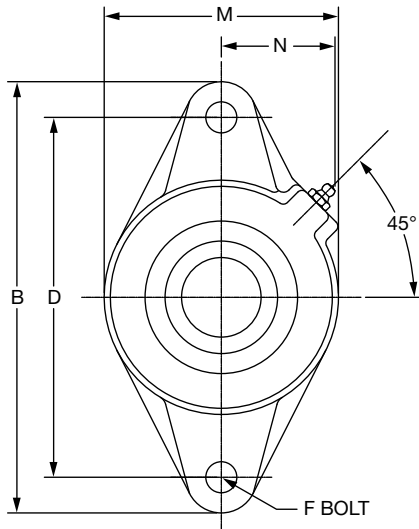
FEATURES/BENEFITS PAGE B7-3	HOW TO ORDER/NOMENCLATURE PAGE B7-5	EASY SELECTION PAGE B7-8	ACCESSORIES PAGE B7-44
--------------------------------	--	-----------------------------	---------------------------

Eccentric Collar Ball Bearing
 Setscrew VSC Ball Bearing
 Eccentric SXV Collar Ball Bearing
 Take-Up Frames
 Engineering
 Part Number Index
 Keyword Index



SELECTION/DIMENSIONS

Eccentric Collar Ball Bearings SXR NORMAL DUTY 2-BOLT PILOTED FLANGE BEARINGS



Series	Shaft Size	Part No.	Description
204	3/4	@	F2BZ-SXR-012
	20mm	130831	F2BZ-SXR-20M
205	7/8	@	F2BZ-SXR-014
	15/16	@	F2BZ-SXR-015
	1	064289	F2BZ-SXR-100
206	25mm	130832	F2BZ-SXR-25M
	1-1/8	@	F2BZ-SXR-102
	1-3/16	@	F2BZ-SXR-103
	1-1/4	@	F2BZ-SXR-104S
207	30mm	130833	F2BZ-SXR-30M
	1-1/4	@	F2BZ-SXR-104
	1-3/8	@	F2BZ-SXR-106
	1-7/16	@	F2BZ-SXR-107
208	35mm	130834	F2BZ-SXR-35M
	1-1/2	068901	F2BZ-SXR-108
209	40mm	130835	F2BZ-SXR-40M
	1-5/8	@	F2BZ-SXR-110L
	1-11/16	@	F2BZ-SXR-111
	1-3/4	@	F2BZ-SXR-112
210	45mm	130836	F2BZ-SXR-45M
	1-15/16	@	F2BZ-SXR-115
	2	@	F2BZ-SXR-200
	50mm	130837	F2BZ-SXR-50M

@ Assembled to order

SELECTION/DIMENSIONS



Eccentric Collar Ball Bearings SXR NORMAL DUTY 2-BOLT PILOTED FLANGE BEARINGS

Eccentric Collar Ball Bearing

Setscrew VSC Ball Bearing

Eccentric SXV Collar Ball Bearing

Series	Shaft Size	Weight lbs kg	A	B	C	D	E	F Bolt Dia.	G	H	J	K	L	M	N
204	3/4	1.3	1.55	4.41	1.80	3.53	0.14	3/8	1.66	0.50	0.68	2.165/2.163	1.31	2.38	1.50
	20mm	0.6	39.4	112.0	45.7	89.7	3.6	M10	42.2	12.7	17.3	54.99/54.94	33.3	60.5	38.1
205	7/8	1.6	1.62	4.88	1.79	3.89	0.14	7/16	1.65	0.52	0.70	2.362/2.360	1.50	2.75	1.44
	15/16 1 25mm	0.7	41.1	124.0	45.5	98.8	3.6	M10	41.9	13.2	17.8	59.99/59.94	38.1	69.9	36.6
206	1-1/8	2.1	1.77	5.56	1.92	4.59	0.12	7/16	1.81	0.50	0.74	3.150/3.148	1.75	3.13	1.56
	1-3/16 1-1/4 30mm	0.9	45.0	141.2	48.8	116.7	3.0	M10	46.0	12.7	18.8	80.01/79.96	44.5	79.5	39.6
207	1-1/4	3.1	1.95	6.13	2.14	5.12	0.16	1/2	1.99	0.56	0.77	3.543/3.541	2.13	3.75	1.84
	1-3/8 1-7/16 35mm	1.3	49.5	155.7	54.4	130.0	4.1	M12	50.5	14.2	19.6	89.99/89.94	54.1	95.3	46.7
208	1-1/2	4.3	2.12	6.75	2.31	5.66	0.16	1/2	2.15	0.56	0.81	3.937/3.935	2.38	4.13	1.83
	40mm	1.9	53.8	171.5	58.7	143.8	4.1	M12	54.6	14.2	20.6	100.00/99.95	60.5	104.9	46.5
209	1-5/8	4.7	2.13	7.06	2.34	5.84	0.16	1/2	2.18	0.63	0.77	4.134/4.132	2.50	4.38	1.91
	1-11/16 1-3/4 45mm	2.0	54.1	179.3	59.4	148.3	4.1	M14	55.4	16.0	19.6	105.00/104.95	63.5	111.3	48.5
210	1-15/16	5.2	2.25	7.44	2.49	6.19	0.16	1/2	2.33	0.63	0.86	4.134/4.132	2.75	4.56	2.03
	2 50mm	2.1	57.2	189.0	63.2	157.2	4.1	M16	59.2	16.0	21.8	105.00/104.95	69.9	115.8	51.6

Take-Up Frames

Engineering

Part Number Index

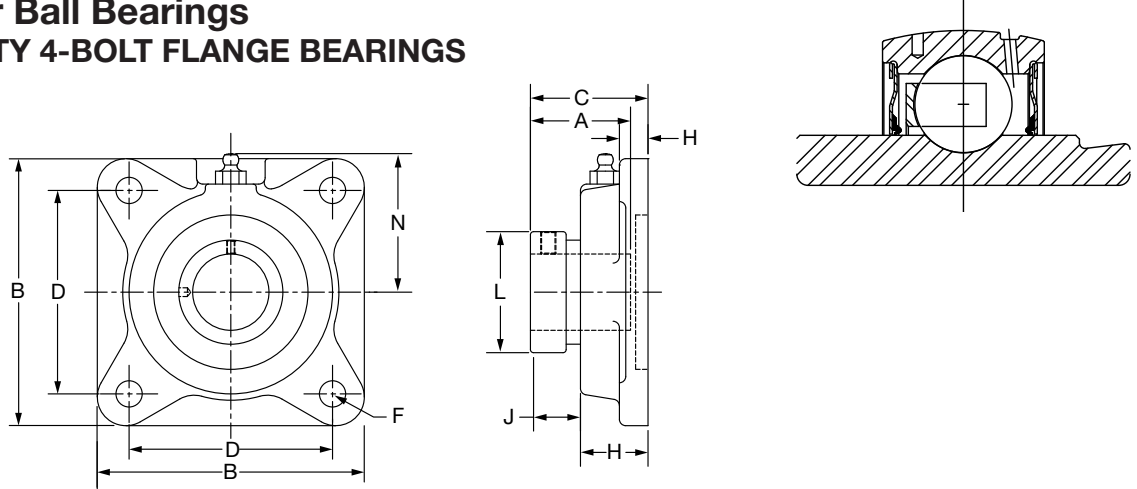
Keyword Index

FEATURES/BENEFITS PAGE B7-3	HOW TO ORDER/NOMENCLATURE PAGE B7-5	EASY SELECTION PAGE B7-8	ACCESSORIES PAGE B7-44
--------------------------------	--	-----------------------------	---------------------------



SELECTION/DIMENSIONS

Eccentric Collar Ball Bearings SXR NORMAL DUTY 4-BOLT FLANGE BEARINGS



Series	Shaft Size	Standard		With Flingers	
		Part No.	Description	Part No.	Description
203	1/2	131100	F4B-SXR-008	@	F4B-SXR-008-FF
	5/8	131102	F4B-SXR-010	@	F4B-SXR-010-FF
	17mm	125666	<i>F4B-SXR-17M</i>	@	<i>F4B-SXR-17M-FF</i>
204	3/4	131104	F4B-SXR-012	@	F4B-SXR-012-FF
	20mm	125667	<i>F4B-SXR-20M</i>	@	<i>F4B-SXR-20M-FF</i>
205	7/8	131106	F4B-SXR-014	@	F4B-SXR-014-FF
	15/16	131107	F4B-SXR-015	@	F4B-SXR-015-FF
	1	131108	F4B-SXR-100	068207	F4B-SXR-100-FF
	25mm	125668	<i>F4B-SXR-25M</i>	@	<i>F4B-SXR-25M-FF</i>
206	1-1/16	131109	F4B-SXR-101	@	F4B-SXR-101-FF
	1-1/8	131110	F4B-SXR-102	068208	F4B-SXR-102-FF
	1-3/16	131111	F4B-SXR-103	@	F4B-SXR-103-FF
	1-1/4	064929	F4B-SXR-104S	@	F4B-SXR-104S-FF
	30mm	125669	<i>F4B-SXR-30M</i>	@	<i>F4B-SXR-30M-FF</i>
207	1-1/4	131113	F4B-SXR-104	068209	F4B-SXR-104-FF
	1-5/16	131114	F4B-SXR-105	@	F4B-SXR-105-FF
	1-3/8	131115	F4B-SXR-106	@	F4B-SXR-106-FF
	1-7/16	131116	F4B-SXR-107	@	F4B-SXR-107-FF
	35mm	125670	<i>F4B-SXR-35M</i>	@	<i>F4B-SXR-35M-FF</i>
208	1-1/2	131117	F4B-SXR-108	@	F4B-SXR-108-FF
	40mm	125671	<i>F4B-SXR-40M</i>	@	<i>F4B-SXR-40M-FF</i>
209	1-5/8	131120	F4B-SXR-110	068210	F4B-SXR-110-FF
	1-11/16	131121	F4B-SXR-111	068211	F4B-SXR-111-FF
	1-3/4	131122	F4B-SXR-112	068212	F4B-SXR-112-FF
	45mm	125672	<i>F4B-SXR-45M</i>	@	<i>F4B-SXR-45M-FF</i>
210	1-15/16	131125	F4B-SXR-115	@	F4B-SXR-115-FF
	2	131127	F4B-SXR-200	@	F4B-SXR-200-FF
	50mm	125673	<i>F4B-SXR-50M</i>	@	<i>F4B-SXR-50M-FF</i>
211	2	131343	F4B-SXR-200L	@	F4B-SXR-200L-FF
	2-3/16	131130	F4B-SXR-203	@	F4B-SXR-203-FF
	55mm	125674	<i>F4B-SXR-55M</i>	@	<i>F4B-SXR-55M-FF</i>
212	2-1/4	131132	F4B-SXR-204	@	F4B-SXR-204-FF
	2-7/16	131135	F4B-SXR-207	@	F4B-SXR-207-FF
	60mm	125675	<i>F4B-SXR-60M</i>	@	<i>F4B-SXR-60M-FF</i>
215	2-15/16	131137	F4B-SXR-215	@	F4B-SXR-215-FF
	75mm	125676	<i>F4B-SXR-75M</i>	@	<i>F4B-SXR-75M-FF</i>

@ Assembled to order

FEATURES/BENEFITS PAGE B7-3	HOW TO ORDER/NOMENCLATURE PAGE B7-5	EASY SELECTION PAGE B7-8	ACCESSORIES PAGE B7-44
--------------------------------	--	-----------------------------	---------------------------

SELECTION/DIMENSIONS



Eccentric Collar Ball Bearings SXR NORMAL DUTY 4-BOLT FLANGE BEARINGS

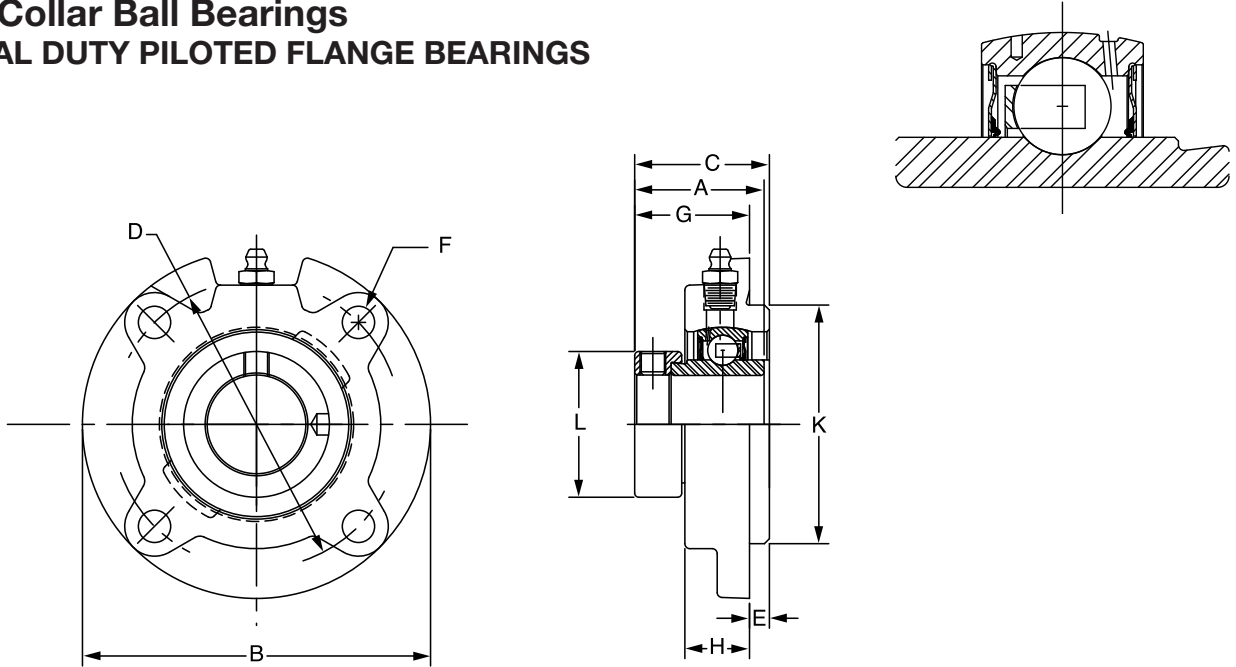
Series	Shaft Size	Weight lbs kg	A	B	C	D	F Bolt Dia.	H	J	L	N
203	1/2	1.2	1.47	3.00	1.45	2.13	3/8	0.44	0.61	1.13	1.69
	5/8	1.1									
	17mm	0.5	37.3	76.2	36.8	54.0	M10	11.2	15.5	28.7	42.9
204	3/4	1.6	1.55	3.38	1.66	2.50	3/8	0.44	0.68	1.31	1.94
	20mm	0.8	39.4	85.9	42.2	63.5	M10	11.2	17.3	33.3	49.3
205	7/8	2.3	1.62	3.75	1.65	2.75	7/16	0.50	0.70	1.50	2.06
	15/16	2.2									
	1	2.1									
206	25mm	0.9	41.1	95.3	41.9	69.9	M10	12.7	17.8	38.1	52.3
	1-1/16	3.1	1.77	4.25	1.81	3.25	7/16	0.50	0.74	1.75	2.19
	1-1/8	3.0									
	1-3/16	2.9									
207	1-1/4	2.8									
	30mm	1.3	45.0	108.0	46.0	82.6	M10	12.7	18.8	44.5	55.6
	1-1/4	4.2	1.95	4.75	1.99	3.63	1/2	0.56	0.77	2.13	2.44
	1-5/16	4.1									
	1-3/8	4.0									
208	1-7/16	3.9									
	35mm	1.8	49.5	120.7	50.5	92.1	M12	14.2	19.6	54.1	62.0
	1-1/2	5.1	2.12	5.13	2.15	4.00	1/2	0.56	0.81	2.38	2.38
209	40mm	2.3	53.8	130.3	54.6	101.6	M12	14.2	20.6	60.5	60.5
	1-5/8	6.4	2.13	5.38	2.18	4.13	1/2	0.63	0.77	2.50	2.75
	1-11/16	6.2									
	1-3/4	6.0									
210	45mm	2.7	54.1	136.7	55.4	104.8	M12	16.0	19.6	63.5	69.9
	1-15/16	7.0	2.25	5.63	2.33	4.38	5/8	0.63	0.86	2.75	2.88
	2	6.8									
211	50mm	3.1	57.2	143.0	59.2	111.1	M16	16.0	21.8	69.9	73.2
	2	10.2	2.59	6.50	2.65	5.13	5/8	0.69	1.05	3.00	3.25
	2-3/16	9.7									
212	55mm	4.4	65.8	165.1	67.3	130.2	M16	17.5	26.7	76.2	82.6
	2-1/4	11.8	2.74	6.88	2.81	5.63	5/8	0.69	1.10	3.31	3.50
	2-7/16	11.3									
215	60mm	6.0	69.6	174.8	71.4	141.2	M16	17.5	27.9	84.1	88.9
	2-15/16	18.2	3.02	7.75	3.58	6.00	3/4	1.00	1.33	4.00	3.88
	75mm	8.2	76.7	196.9	90.9	152.4	M18	25.4	33.8	101.6	98.6

FEATURES/BENEFITS PAGE B7-3	HOW TO ORDER/NOMENCLATURE PAGE B7-5	EASY SELECTION PAGE B7-8	ACCESSORIES PAGE B7-44
--------------------------------	--	-----------------------------	---------------------------



SELECTION/DIMENSIONS

Eccentric Collar Ball Bearings SXR NORMAL DUTY PILOTED FLANGE BEARINGS



Series	Shaft Size	Standard	
		Part No.	Description
206	1-1/16	@	FC-SXR-101
	1-1/8	@	FC-SXR-102
	1-3/16	@	FC-SXR-103
	1-1/4	068092	FC-SXR-104S
	30mm	130838	FC-SXR-30M
207	1-1/4	062899	FC-SXR-104
	1-5/16	@	FC-SXR-105
	1-3/8	@	FC-SXR-106
	1-7/16	064762	FC-SXR-107
208	35mm	130839	FC-SXR-35M
	1-1/2	049950	FC-SXR-108
	1-5/8	130840	FC-SXR-40M
209	1-5/8	@	FC-SXR-110
	1-11/16	049470	FC-SXR-111
	1-3/4	065666	FC-SXR-112
210	45mm	130841	FC-SXR-45M
	1-15/16	064178	FC-SXR-115
	2	064096	FC-SXR-200
211	50mm	130842	FC-SXR-50M
	2	052959	FC-SXR-200L
	2-3/16	049884	FC-SXR-203
212	55mm	065555	FC-SXR-55M
	2-1/4	@	FC-SXR-204
	2-7/16	052567	FC-SXR-207
	60mm	130843	FC-SXR-60M

@ Assembled to order

SELECTION/DIMENSIONS



Eccentric Collar Ball Bearings SXR NORMAL DUTY PILOTED FLANGE BEARINGS

Eccentric Collar Ball Bearing

Setscrew VSC Ball Bearing

Eccentric SXV Collar Ball Bearing

Take-Up Frames

Engineering

Part Number Index

Keyword Index

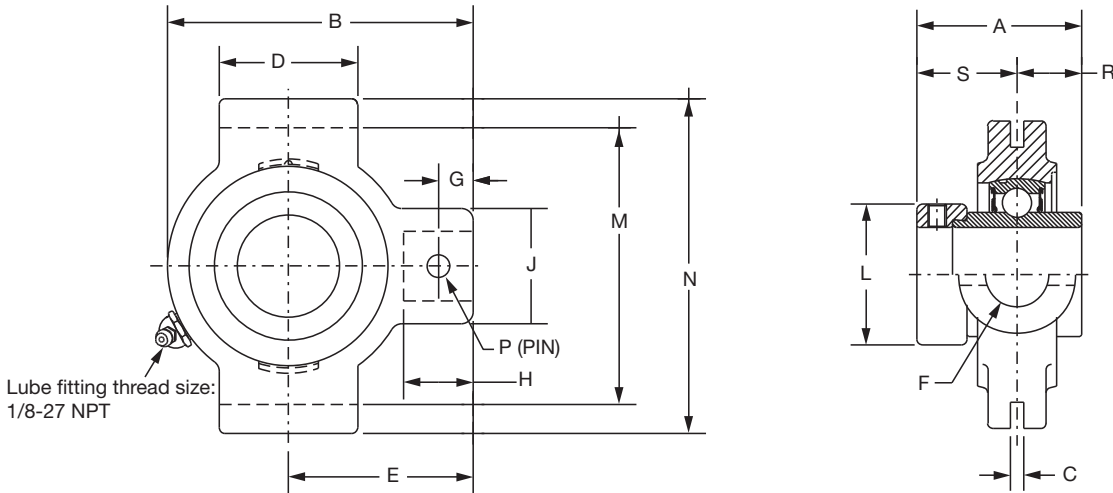
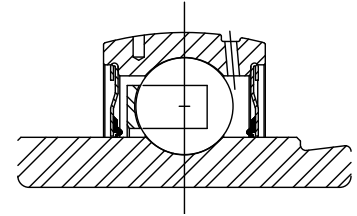
Series	Shaft Size	Weight lbs kg	A	B	C	D	E	F Bolt Dia.	G	H	K	L
206	1-1/16	3.4	1.77	4.38	1.78	3.63	0.25	3/8	1.53	0.81	3.000/2.998	1.75
	1-1/8	3.4										
	1-3/16	3.2										
	1-1/4	3.1										
	30mm	1.4	45.0	111.3	45.2	92.2	6.4	M10	38.9	20.6	76.20/76.15	44.5
207	1-1/4	4.6	1.95	5.00	2.01	4.13	0.38	3/8	1.63	0.84	3.375/3.373	2.13
	1-5/16	4.5										
	1-3/8	4.3										
	1-7/16	4.2										
	35mm	1.9	49.5	127.0	51.1	104.9	9.7	M10	41.4	21.3	85.73/85.67	54.1
208	1-1/2	5.1	2.12	5.25	2.15	4.38	0.44	7/16	1.72	0.89	3.625/3.623	2.38
	1-5/8											
	40mm	2.2	53.8	133.4	54.6	111.3	11.2	M12	43.7	22.6	92.08/92.02	60.5
209	1-5/8	6.1	2.13	5.75	2.14	4.75	0.44	1/2	1.70	0.91	4.000/3.998	2.50
	1-11/16	5.9										
	1-3/4	5.9										
	45mm	2.6	54.1	146.1	54.4	120.7	11.2	M12	43.2	23.1	101.60/101.55	63.5
210	1-15/16	7.1	2.25	6.13	2.29	5.13	0.47	1/2	1.82	0.92		2.75
	2	6.9									4.250/4.248	
	50mm	3.2	57.2	155.7	58.2	130.3	11.9	M12	46.2	23.4		69.9
211	2	8.4	2.59	6.38	2.71	5.38	0.63	1/2	2.09	1.00	107.95/107.90	3.00
	2-3/16	8.1									4.500/4.498	
	55mm	3.7	65.8	162.1	68.8	136.7	16.0	M12	53.1	25.4		76.2
212	2-1/4	10.7	2.74	7.13	2.97	6.00	0.88	1/2	2.10	1.00	114.30/114.25	3.31
	2-7/16	10.5									5.000/4.998	
	60mm	4.9	69.6	181.1	75.4	152.4	22.4	M12	53.3	25.4	127.00/126.95	84.1

FEATURES/BENEFITS PAGE B7-3	HOW TO ORDER/NOMENCLATURE PAGE B7-5	EASY SELECTION PAGE B7-8	ACCESSORIES PAGE B7-44
--------------------------------	--	-----------------------------	---------------------------



SELECTION/DIMENSIONS

Eccentric Collar Ball Bearings SXR NORMAL DUTY NARROW SLOT TAKE-UP BEARINGS



Series	Shaft Size	Standard	
		Part No.	Description
204	3/4	131154	NSTU-SXR-012
	7/8	131156	NSTU-SXR-014
205	15/16	131157	NSTU-SXR-015
	1	131158	NSTU-SXR-100
	1-1/16	131159	NSTU-SXR-101
206	1-1/8	131160	NSTU-SXR-102
	1-3/16	131161	NSTU-SXR-103
	1-1/4	@	NSTU-SXR-104S
	1-1/4	131163	NSTU-SXR-104
207	1-5/16	131164	NSTU-SXR-105
	1-3/8	131165	NSTU-SXR-106
	1-7/16	131166	NSTU-SXR-107
	1-1/2	131167	NSTU-SXR-108
209	1-5/8	131170	NSTU-SXR-110
	1-11/16	131171	NSTU-SXR-111
	1-3/4	131172	NSTU-SXR-112
210	1-15/16	131175	NSTU-SXR-115
	2	131177	NSTU-SXR-200
	2	@	NSTU-SXR-200L
211	2-3/16	131180	NSTU-SXR-203
	2-1/4	131182	NSTU-SXR-204
212	2-7/16	131185	NSTU-SXR-207

@ Assembled to order

SELECTION/DIMENSIONS



Eccentric Collar Ball Bearings SXR NORMAL DUTY NARROW SLOT TAKE-UP BEARINGS

Eccentric Collar Ball Bearing

Setscrew VSC Ball Bearing

Eccentric SXV Collar Ball Bearing

Take-Up Frames

Engineering

Part Number Index

Keyword Index

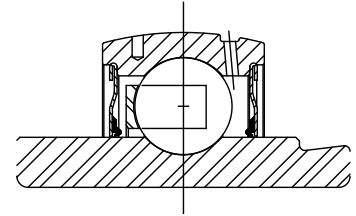
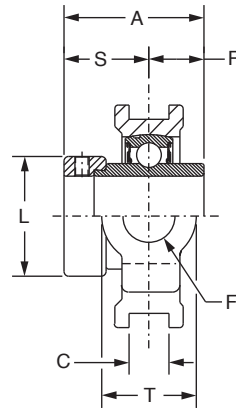
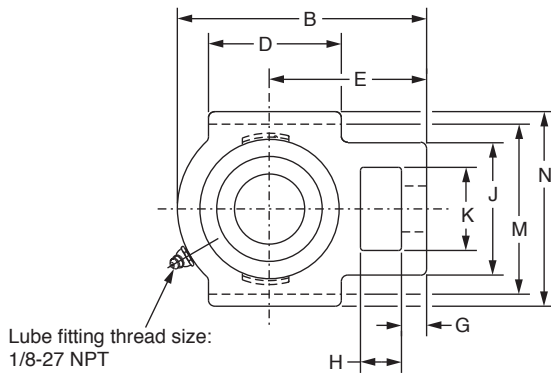
Series	Shaft Size	Weight lbs	Take-Up Frame Size	A	B	C	D	E	F Screw Dia.	G	H	J	L	M	N	P Pin Dia.	R	S
204	3/4	1.5	NS210	1.55	3.50	0.250	1.50	2.19	3/4	0.44	0.88	1.38	1.31	2.635/2.605	3.13	0.32	0.50	1.05
205	7/8	1.7	NS210	1.62	3.56	0.250	1.50	2.19	3/4	0.44	0.88	1.38	1.50	2.635/2.605	3.13	0.32	0.56	1.06
	15/16	1.6																
206	1	1.5	NS308	1.77	4.31	0.250	2.50	2.69	3/4	0.50	0.94	1.38	1.75	3.510/3.480	4.13	0.32	0.58	1.19
	1-1/16	2.9																
	1-1/8	2.8																
	1-3/16	2.6																
207	1-1/4	2.5	NS308	1.95	4.50	0.250	2.50	2.69	3/4	0.50	0.94	1.38	2.13	3.510/3.480	4.13	0.32	0.67	1.28
	1-1/4	3.0																
	1-5/16	2.8																
	1-3/8	2.7																
208	1-7/16	2.5	NS400	2.12	5.38	0.313	3.00	3.25	7/8	0.66	1.16	1.63	2.38	4.015/3.985	4.75	0.38	0.75	1.37
	1-1/2	5.0																
209	1-5/8	5.4	NS400	2.13	5.44	0.313	3.00	3.25	7/8	0.72	1.22	1.63	2.50	4.015/3.985	4.75	0.38	0.75	1.38
	1-11/16	5.2																
210	1-3/4	5.0	NS400	2.25	5.50	0.313	3.00	3.25	7/8	0.59	1.09	1.63	2.75	4.015/3.985	4.75	0.38	0.75	1.50
	1-15/16	5.7																
211	2	7.4	NS407	2.59	6.13	0.313	3.50	3.63	1	0.69	1.28	1.75	3.00	4.448/4.418	5.38	0.44	0.88	1.71
	2-3/16	7.2																
212	2-1/4	10.0	NS415	2.74	6.69	0.313	3.75	3.88	1	0.69	1.28	1.63	3.31	4.947/4.917	5.75	0.44	0.90	1.84
	2-7/16	9.0																

FEATURES/BENEFITS PAGE B7-3	HOW TO ORDER/NOMENCLATURE PAGE B7-5	EASY SELECTION PAGE B7-8	ACCESSORIES PAGE B7-44
--------------------------------	--	-----------------------------	---------------------------



SELECTION/DIMENSIONS

Eccentric Collar Ball Bearings SXR NORMAL DUTY WIDE SLOT TAKE-UP BEARINGS



Series	Shaft Size	Standard		No Lube/Sealed for Life (-NL)	
		Part No.	Description	Part No.	Description
204	3/4	131204	WSTU-SXR-012	@	WSTU-SXR-012-NL
	20mm	130845	WSTU-SXR-20M	@	WSTU-SXR-20M-NL
205	7/8	131206	WSTU-SXR-014	@	WSTU-SXR-014-NL
	15/16	131207	WSTU-SXR-015	@	WSTU-SXR-015-NL
	1	131208	WSTU-SXR-100	@	WSTU-SXR-100-NL
	25mm	130846	WSTU-SXR-25M	@	WSTU-SXR-25M-NL
206	1-1/16	131209	WSTU-SXR-101	@	WSTU-SXR-101-NL
	1-1/8	131210	WSTU-SXR-102	@	WSTU-SXR-102-NL
	1-3/16	131211	WSTU-SXR-103	065634	WSTU-SXR-103-NL
	1-1/4	@	WSTU-SXR-104S	@	WSTU-SXR-104S-NL
	30mm	130847	WSTU-SXR-30M	@	WSTU-SXR-30M-NL
207	1-1/4	131213	WSTU-SXR-104	068471	WSTU-SXR-104-NL
	1-5/16	131214	WSTU-SXR-105	@	WSTU-SXR-105-NL
	1-3/8	131215	WSTU-SXR-106	@	WSTU-SXR-106-NL
	1-7/16	131216	WSTU-SXR-107	051606	WSTU-SXR-107-NL
	35mm	130848	WSTU-SXR-35M	@	WSTU-SXR-35M-NL
208	1-1/2	131217	WSTU-SXR-108	058996	WSTU-SXR-108-NL
	40mm	130849	WSTU-SXR-40M	@	WSTU-SXR-40M-NL
209	1-5/8	131220	WSTU-SXR-110	@	WSTU-SXR-110-NL
	1-11/16	131221	WSTU-SXR-111	@	WSTU-SXR-111-NL
	1-3/4	131222	WSTU-SXR-112	@	WSTU-SXR-112-NL
	45mm	130850	WSTU-SXR-45M	@	WSTU-SXR-45M-NL
210	1-15/16	131225	WSTU-SXR-115	@	WSTU-SXR-115-NL
	2	131227	WSTU-SXR-200	049845	WSTU-SXR-200-NL
	50mm	130851	WSTU-SXR-50M	@	WSTU-SXR-50M-NL
211	2	@	WSTU-SXR-200L	@	WSTU-SXR-200L-NL
	2-3/16	131230	WSTU-SXR-203	@	WSTU-SXR-203-NL
212	55mm	130852	WSTU-SXR-55M	@	WSTU-SXR-55M-NL
	2-1/4	131232	WSTU-SXR-204	@	WSTU-SXR-204-NL
215	2-7/16	131235	WSTU-SXR-207	052045	WSTU-SXR-207-NL
	60mm	130853	WSTU-SXR-60M	@	WSTU-SXR-60M-NL
215	2-15/16	049385	WSTU-SXR-215	@	WSTU-SXR-215-NL
	75mm	130854	WSTU-SXR-75M	@	WSTU-SXR-75M-NL

@ Assembled to order

FEATURES/BENEFITS PAGE B7-3	HOW TO ORDER/NOMENCLATURE PAGE B7-5	EASY SELECTION PAGE B7-8	ACCESSORIES PAGE B7-44
--------------------------------	--	-----------------------------	---------------------------



Eccentric Collar Ball Bearings SXR NORMAL DUTY WIDE SLOT TAKE-UP BEARINGS

Series	Shaft Size	Weight lbs kg	Take-Up Frame Size	A	B	C	D	E	F Screw Dia.	G	H	J	K	L	M	N	R	S	T
204	3/4	2.1	WS300	1.55	3.69	0.531	2.00	2.38	5/8	0.38	0.63	2.00	1.25	1.31	2.985/3.015	3.63	0.50	1.05	1.38
	20mm	1.0		39.4	93.7	13.49	50.8	60.5	15.9	9.7	16.0	50.8	31.8	33.3	75.82/76.58	92.2	12.7	26.7	35.1
205	7/8	2.3	WS300	1.62	3.81	0.531	2.00	2.44	5/8	0.38	0.63	2.00	1.31	1.50	2.985/3.015	3.63	0.56	1.06	1.38
	15/16	2.2		41.1	96.8	13.49	50.8	62.0	15.9	9.7	16.0	50.8	33.3	38.1	75.82/76.58	92.2	14.2	26.9	35.1
	1	2.1		25mm	1.0	41.1	96.8	13.49	50.8	62.0	15.9	9.7	16.0	50.8	33.3	38.1	75.82/76.58	92.2	14.2
206	1-1/16	3.1	WS308	1.77	4.38	0.531	2.25	2.75	3/4	0.38	0.63	2.19	1.44	1.75	3.480/3.510	4.13	0.58	1.19	1.63
	1-1/8	2.9		45.0	111.3	13.49	57.2	69.9	19.1	9.7	16.0	55.6	36.6	44.5	88.39/89.15	104.9	14.7	30.2	41.3
	1-3/16	2.8		45.0	111.3	13.49	57.2	69.9	19.1	9.7	16.0	55.6	36.6	44.5	88.39/89.15	104.9	14.7	30.2	41.3
	1-1/4	2.7		30mm	1.3	45.0	111.3	13.49	57.2	69.9	19.1	9.7	16.0	55.6	36.6	44.5	88.39/89.15	104.9	14.7
207	1-1/4	3.8	WS308	1.95	4.87	0.531	2.50	3.06	3/4	0.50	0.63	2.50	1.44	2.13	3.480/3.510	4.13	0.67	1.28	1.63
	1-5/16	3.7		49.5	123.7	13.49	63.5	77.7	19.1	12.7	16.0	63.5	36.6	54.1	88.39/89.15	104.9	17.0	32.5	41.3
	1-3/8	3.6		49.5	123.7	13.49	63.5	77.7	19.1	12.7	16.0	63.5	36.6	54.1	88.39/89.15	104.9	17.0	32.5	41.3
	1-7/16	3.5		35mm	1.6	49.5	123.7	13.49	63.5	77.7	19.1	12.7	16.0	63.5	36.6	54.1	88.39/89.15	104.9	17.0
208	1-1/2	6.2	WS400	2.12	5.69	0.688	3.25	3.50	1	0.63	0.75	3.25	1.94	2.38	3.985/4.015	4.50	0.75	1.37	1.94
	40mm	2.8		53.8	144.5	17.48	82.6	88.9	25.4	16.0	19.1	82.6	49.3	60.5	101.22/101.98	114.3	19.1	34.8	49.3
209	1-5/8	6.5	WS400	2.13	5.63	0.688	3.25	3.44	1	0.63	0.75	3.25	1.94	2.50	3.985/4.015	4.75	0.75	1.38	1.94
	1-11/16	6.4		54.1	143.0	17.48	82.6	87.4	25.4	16.0	19.1	82.6	49.3	63.5	101.22/101.98	120.7	19.1	35.1	49.3
	1-3/4	6.3		45mm	2.9	54.1	143.0	17.48	82.6	87.4	25.4	16.0	19.1	82.6	49.3	63.5	101.22/101.98	120.7	19.1
210	1-15/16	6.9	WS400	2.25	5.82	0.688	3.38	3.56	1	0.63	0.75	3.25	1.94	2.75	3.985/4.015	4.75	0.75	1.50	1.94
	2	6.8		57.2	147.8	17.48	85.9	90.4	25.4	16.0	19.1	82.6	49.3	69.9	101.22/101.98	120.7	19.1	38.1	49.3
211	2	10.3	WS502	2.59	6.69	1.063	3.75	4.19	1-1/4	0.75	1.00	4.00	2.50	3.00	5.110/5.140	5.88	0.88	1.71	2.50
	2-3/16	10.0		65.8	169.9	27.00	95.3	106.4	31.8	19.1	25.4	101.6	63.5	76.2	129.79/130.56	149.4	22.4	43.4	63.5
212	2-1/4	13.0	WS502	2.74	7.50	1.063	4.00	4.69	1-1/4	0.75	1.25	4.00	2.50	3.31	5.110/5.140	5.88	0.90	1.84	2.50
	2-7/16	12.8		69.6	190.5	27.00	101.6	119.1	31.8	19.1	31.8	101.6	63.5	84.1	129.79/130.56	149.4	22.9	46.7	63.5
215	2-15/16	21	WS515	3.02	9.13	1.063	4.75	5.50	1-1/2	0.81	1.25	4.38	2.75	4.00	5.923/5.953	6.69	0.86	2.16	2.75
	75mm	9.6		76.7	231.9	27.00	120.7	139.7	38.1	20.6	31.8	111.3	69.9	101.6	150.44/151.21	169.9	21.8	54.9	69.9

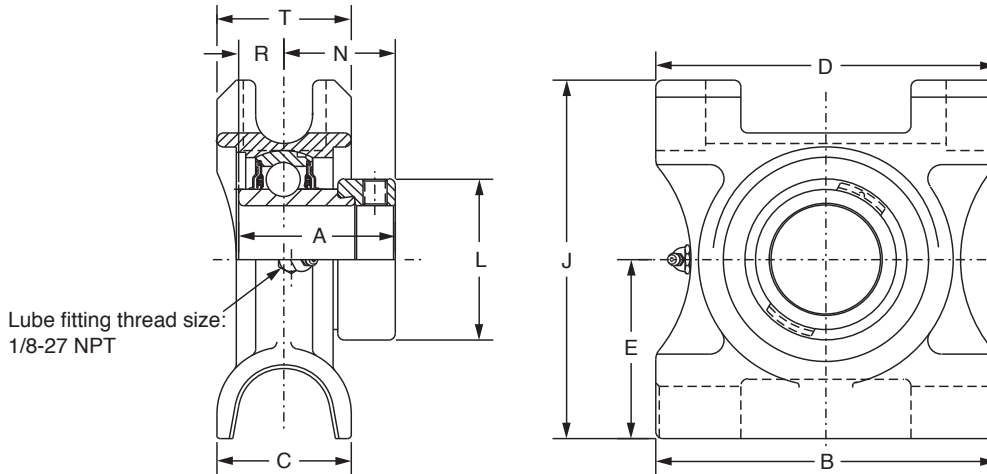
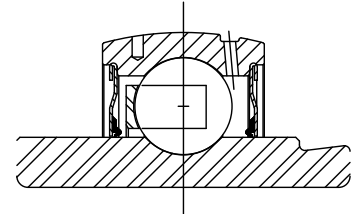
FEATURES/BENEFITS PAGE B7-3	HOW TO ORDER/NOMENCLATURE PAGE B7-5	EASY SELECTION PAGE B7-8	ACCESSORIES PAGE B7-44
--------------------------------	--	-----------------------------	---------------------------

Eccentric Collar Ball Bearing
Setscrew VSC Ball Bearing
Eccentric SXV Collar Ball Bearing
Take-Up Frames
Engineering
Part Number Index
Keyword Index



SELECTION/DIMENSIONS

Eccentric Collar Ball Bearings TYPE GXR NORMAL DUTY TOP ANGLE TAKE-UP BEARINGS



Series	Shaft Size	Part No.	Description
210	1-15/16	131536	TP-GXR-115
	2	131537	TP-GXR-200
211	2	@	TP-GXR-200L
	2-3/16	131540	TP-GXR-203
212	2-1/4	131542	TP-GXR-204
	2-7/16	131545	TP-GXR-207
215	2-15/16	@	TP-GXR-215

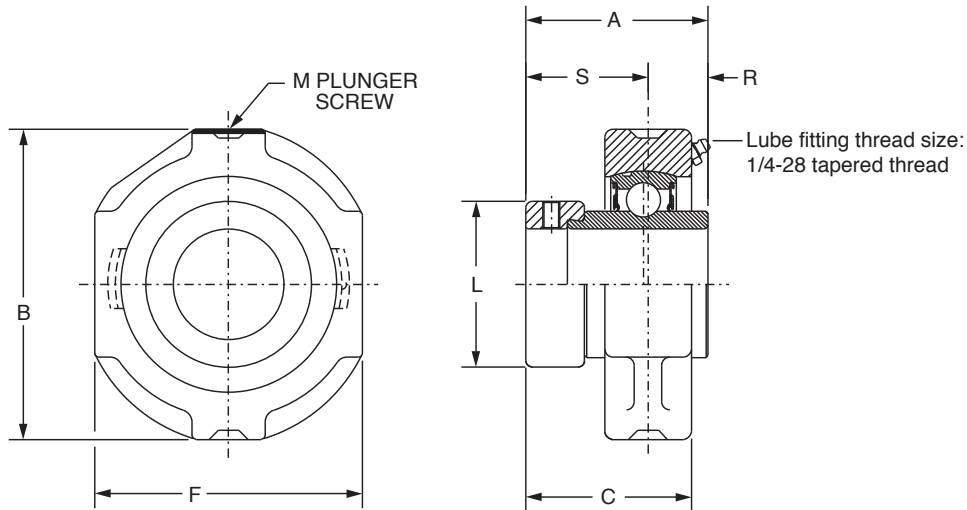
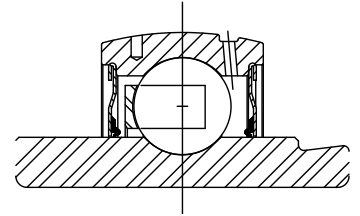
@ Assembled to order

Series	Shaft Size	Weight lbs	Take-Up Frame Size	A	B	C	D	E	J	L	N	R	T
210	1-15/16	10.2	TP10	2.25	6.50	2.38	6.00	3.25	6.38	2.75	1.50	0.75	2.38
	2	10											
211	2	13.2	TP20	2.59	7.00	2.50	6.75	3.38	7.88	3.00	1.71	0.88	2.38
	2-3/16	13											
212	2-1/4	16.2	TP30	2.74	7.50	2.75	7.00	3.50	7.44	3.31	1.84	0.90	2.75
	2-7/16	16.0											
215	2-15/16	21.8	TP40	3.02	8.50	2.50	8.00	4.00	8.31	4.00	2.07	0.95	2.75

SELECTION/DIMENSIONS



Eccentric Collar Ball Bearings SXR NORMAL DUTY HANGER BEARINGS



Series	Shaft Size	Part No.	Description
206	1-1/16	131259	HNG-SXR-101
	1-1/8	131260	HNG-SXR-102
	1-3/16	131261	HNG-SXR-103
	1-1/4	@	HNG-SXR-104S
207	1-1/4	131263	HNG-SXR-104
	1-5/16	131264	HNG-SXR-105
	1-3/8	131265	HNG-SXR-106
	1-7/16	131266	HNG-SXR-107
210	1-15/16	131275	HNG-SXR-115
	2	131276	HNG-SXR-200

@ Assembled to order

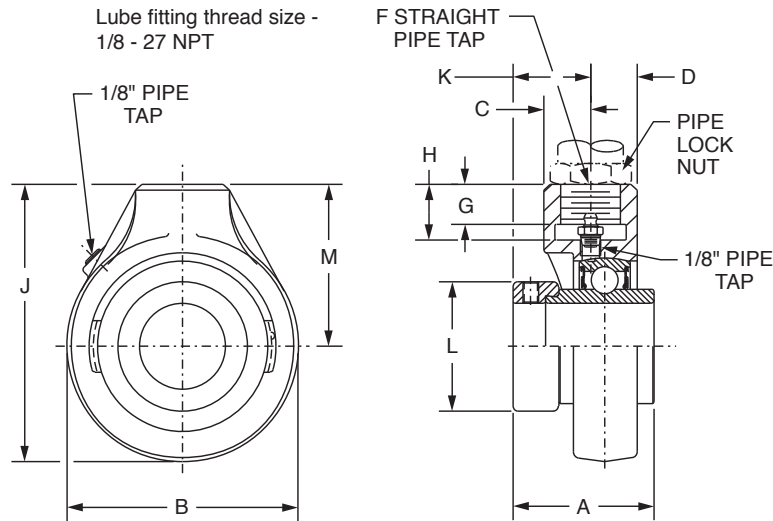
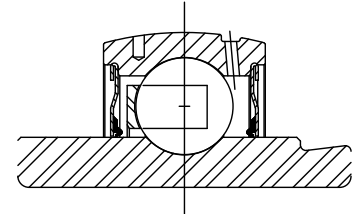
Series	Shaft Size	Weight lbs	A	B	C	F	L	M	R	S
206	1-1/16	2.0	1.77	3.63	1.50	3.00	1.75	1/2	0.58	1.19
	1-1/8	1.9								
	1-3/16	1.8								
	1-1/4	1.7								
207	1-1/4	3.2	1.95	4.25	1.68	3.50	2.13	1/2	0.67	1.28
	1-5/16	3.0								
	1-3/8	2.8								
	1-7/16	2.6								
210	1-15/16	6.2	2.25	5.00	2.00	4.19	2.75	1/2	0.75	1.50
	2	6.0								

FEATURES/BENEFITS PAGE B7-3	HOW TO ORDER/NOMENCLATURE PAGE B7-5	EASY SELECTION PAGE B7-8	ACCESSORIES PAGE B7-44
--------------------------------	--	-----------------------------	---------------------------



SELECTION/DIMENSIONS

Eccentric Collar Ball Bearings SXR NORMAL DUTY SCREW CONVEYOR HANGER BEARINGS



Series	Shaft Size	Part No.	Description
206	1-1/8	@	SCHB-SXR-102
207	1-1/4	@	SCHB-SXR-104
	1-3/8	@	SCHB-SXR-106
208	1-1/2	131317	SCHB-SXR-108
210	1-15/16	131325	SCHB-SXR-115
	2	131327	SCHB-SXR-200
212	2-1/4	@	SCHB-SXR-204
	2-7/16	131335	SCHB-SXR-207

@ Assembled to order

Series	Shaft Size	Weight lbs	A	B	C	D	F* (NPSM)	G	H	J	K	L	M
206	1-1/8	3.1	1.77	3.13	0.53	1.03	3/4-14	0.75	0.94	4.06	1.14	1.75	2.50
207	1-1/4	3.7	1.95	3.88	0.82	0.82	3/4-14	0.63	0.94	4.69	1.21	2.13	2.75
	1-3/8	3.5											
208	1-1/2	4.0	2.12	4.00	0.83	0.83	3/4-14	0.63	0.94	4.88	1.20	2.38	2.88
210	1-15/16	5.5	2.25	4.63	0.94	1.78	1 - 11-1/2	0.81	1.13	5.56	1.22	2.75	3.25
	2	5.3											
212	2-1/4	9.4	2.74	5.50	1.16	1.78	1-1/4-11-1/2	1.13	1.44	6.75	1.50	3.31	4.00
	2-7/16	9.2											

* Use straight thread for the pipe. Bearing can be secured with a heavy locknut.

Pipe plug and lube fitting are factory installed and may be reversed from position shown.

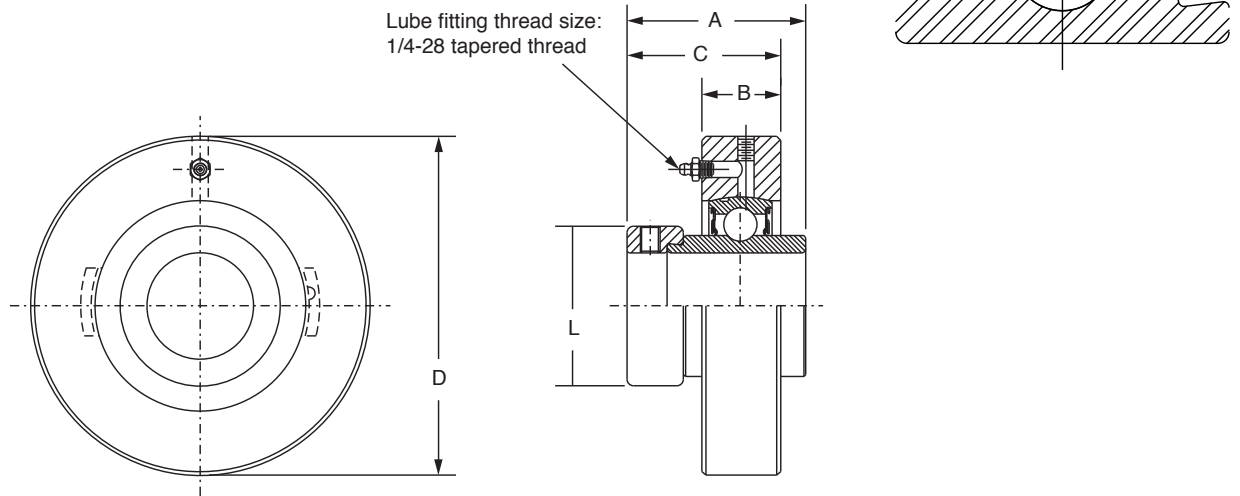
Note: Inserts use the ProGard Plus (-FF) seals.

FEATURES/BENEFITS PAGE B7-3	HOW TO ORDER/NOMENCLATURE PAGE B7-5	EASY SELECTION PAGE B7-8	ACCESSORIES PAGE B7-44
--------------------------------	--	-----------------------------	---------------------------

SELECTION/DIMENSIONS



Eccentric Collar Ball Bearings SXR NORMAL DUTY CYLINDRICAL UNITS



Series	Shaft Size	Part No.	Description
205	7/8	131356	CYL-SXR-014
	15/16	131357	CYL-SXR-015
	1	131358	CYL-SXR-100
206	1-1/16	131359	CYL-SXR-101
	1-1/8	131360	CYL-SXR-102
	1-3/16	131361	CYL-SXR-103
	1-1/4	@	CYL-SXR-104S
207	1-1/4	131363	CYL-SXR-104
	1-5/16	131364	CYL-SXR-105
	1-3/8	131365	CYL-SXR-106
	1-7/16	131366	CYL-SXR-107

@ Assembled to order

Series	Shaft Size	Weight lbs	A	B	C	D	L
205	7/8	1.4	1.62	0.84	1.47	3.125/3.123	1.50
	15/16	1.3					
	1	1.2					
206	1-1/16	2.2	1.77	0.94	1.63	3.500/3.498	1.75
	1-1/8	2.1					
	1-3/16	2.0					
	1-1/4	1.9					
207	1-1/4	2.8	1.95	1.06	1.78	3.875/3.873	2.13
	1-5/16	2.7					
	1-3/8	2.6					
	1-7/16	2.5					

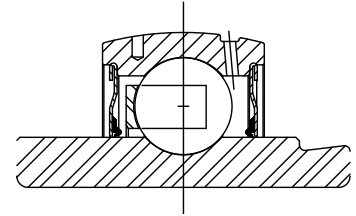
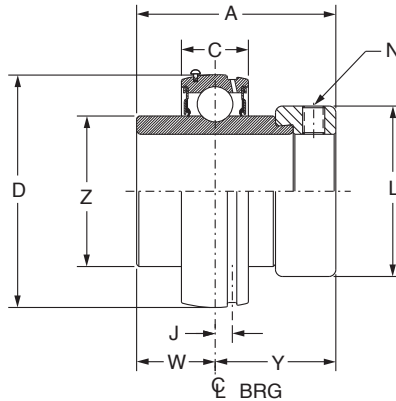
To prevent the housing from rotating in the machine frame, tap a hole on the joint between the housing O. D. and the machine frame bore and lock with a setscrew

FEATURES/BENEFITS PAGE B7-3	HOW TO ORDER/NOMENCLATURE PAGE B7-5	EASY SELECTION PAGE B7-8	ACCESSORIES PAGE B7-44
--------------------------------	--	-----------------------------	---------------------------



SELECTION/DIMENSIONS

Eccentric Collar Ball Bearings SXR NORMAL DUTY BEARING INSERTS



Series	Shaft Size	Part No.	Description
203	1/2	131900	INS-SXR-008
	5/8	131902	INS-SXR-010
	17mm	125625	INS-SXR-17M
204	3/4	131904	INS-SXR-012
	20mm	125626	INS-SXR-20M
205	7/8	131906	INS-SXR-014
	15/16	131907	INS-SXR-015
	1	131908	INS-SXR-100
	25mm	125627	INS-SXR-25M
206	1-1/16	131909	INS-SXR-101
	1-1/8	131910	INS-SXR-102
	1-3/16	131911	INS-SXR-103
	1-1/4	@	INS-SXR-104S
	30mm	125628	INS-SXR-30M
207	1-1/4	131912	INS-SXR-104
	1-5/16	131913	INS-SXR-105
	1-3/8	131914	INS-SXR-106
	1-7/16	131915	INS-SXR-107
208	35mm	125629	INS-SXR-35M
	1-1/2	131916	INS-SXR-108
209	40mm	125630	INS-SXR-40M
	1-5/8	131918	INS-SXR-110
	1-11/16	131919	INS-SXR-111
210	1-3/4	131920	INS-SXR-112
	45mm	125631	INS-SXR-45M
	1-15/16	131923	INS-SXR-115
211	2	131924	INS-SXR-200
	50mm	125632	INS-SXR-50M
	2	131934	INS-SXR-200L
212	2-3/16	131927	INS-SXR-203
	55mm	125633	INS-SXR-55M
	2-1/4	131928	INS-SXR-204
215	2-7/16	131931	INS-SXR-207
	60mm	125634	INS-SXR-60M
215	2-15/16	131933	INS-SXR-215
	75mm	125635	INS-SXR-75M

SELECTION/DIMENSIONS



Eccentric Collar Ball Bearings SXR NORMAL DUTY BEARING INSERTS

Series	Shaft Size	Weight lbs. kg	A	C	D	J	L	N	W	Y	Z
203	1/2	0.3	1.47	0.51	1.5748	0.15	1.13	10-32	0.55	0.92	0.96
	5/8	0.3									
	17mm	0.1	37.3	13.0	40.000	3.8	28.7	M6x1	14.0	23.4	24.4
204	3/4	0.5	1.55	0.58	1.8504	0.15	1.31	1/4-28	0.50	1.05	1.12
	20mm	0.2	39.4	14.7	47.000	3.8	33.3	M6x1	12.7	26.7	28.4
205	7/8	0.6	1.62	0.59	2.0472	0.16	1.50	1/4-28	0.56	1.06	1.32
	15/16	0.6									
	1	0.5									
206	25mm	0.2	41.1	15.0	52.000	4.1	38.1	M6x1	14.2	26.9	33.5
	1-1/16	0.9	1.77	0.69	2.4409	0.16	1.75	5/16-24	0.58	1.19	1.57
	1-1/8	0.9									
	1-3/16	0.8									
207	1-1/4	0.8									
	30mm	0.4	45.0	17.5	62.000	4.1	44.5	M8x1.25	14.7	30.2	39.9
	1-1/4	1.4	1.95	0.75	2.8346	0.20	2.13	5/16-24	0.67	1.28	1.84
	1-5/16	1.3									
	1-3/8	1.3									
208	1-7/16	1.2									
	35mm	0.6	49.5	19.1	72.000	5.1	54.1	M8x1.25	17.0	32.5	46.7
	1-1/2	1.7	2.12	0.87	3.1496	0.22	2.38	5/16-24	0.75	1.37	2.05
209	40mm	0.8	53.8	22.1	80.000	5.6	60.5	M10x1.5	19.1	34.8	52.1
	1-5/8	2.0	2.13	0.87	3.3465	0.25	2.50	5/16-24	0.75	1.38	2.22
	1-11/16	1.9									
	1-3/4	1.8									
210	45mm	0.8	54.1	22.1	85.000	6.4	63.5	M8x1.25	19.1	35.1	56.4
	1-15/16	2.2	2.25	0.87	3.5433	0.25	2.75	3/8-24	0.75	1.50	2.43
	2	2.0									
211	50mm	1.0	57.2	22.1	90.000	6.4	69.9	M10x1.5	19.1	38.1	61.7
	2	3.4	2.59	0.94	3.9370	0.25	3.00	3/8-24	0.88	1.71	2.71
	2-3/16	2.9									
212	55mm	1.3	65.8	23.9	100.000	6.4	76.2	M12x1.75	22.4	43.4	68.8
	2-1/4	3.8	2.74	1.02	4.3307	0.25	3.31	7/16-20	0.90	1.84	2.97
	2-7/16	3.5									
215	60mm	1.7	69.6	25.9	110.000	6.4	84.1	M12x1.75	22.9	46.7	75.4
	2-15/16	4.5	3.02	1.14	5.1181	0.28	4.00	7/16-20	0.86	2.16	3.62
	75mm	2.0	76.7	29.0	130.000	7.1	101.6	M12x1.75	21.8	54.9	91.9

FEATURES/BENEFITS PAGE B7-3	HOW TO ORDER/NOMENCLATURE PAGE B7-5	EASY SELECTION PAGE B7-8	ACCESSORIES PAGE B7-44
--------------------------------	--	-----------------------------	---------------------------

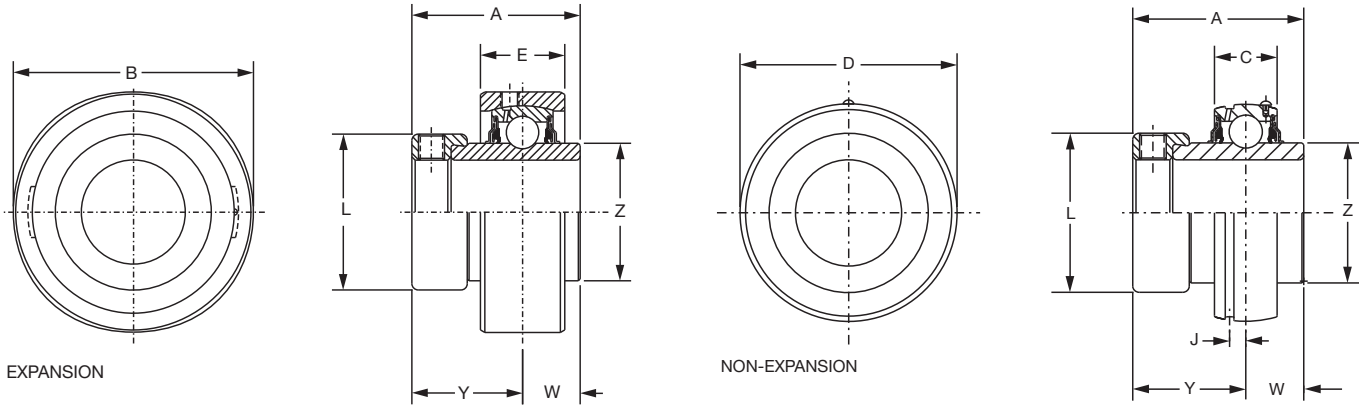
Eccentric Collar Ball Bearing
Setscrew VSC Ball Bearing
Eccentric SXV Collar Ball Bearing
Take-Up Frames
Engineering
Part Number Index
Keyword Index



SELECTION/DIMENSIONS

Eccentric Collar Ball Bearings

SXRH-E EXPANSION AND SXRH NON-EXPANSION NORMAL DUTY BEARING INSERTS



Series	Shaft Size	Expansion Insert		Non-Expansion Insert	
		Part No.	Description	Part No.	Description
206	1-1/16	068849	INS-SXRH-101-E	@	INS-SXRH-101
	1-1/8	@	INS-SXRH-102-E	@	INS-SXRH-102
	1-3/16	126475	INS-SXRH-103-E	126475	INS-SXRH-103
	1-1/4	@	INS-SXRH-104S-E	@	INS-SXRH-104S
	30mm	@	INS-SXRH-30M-E	@	INS-SXRH-30M
207	1-1/4	@	INS-SXRH-104-E	@	INS-SXRH-104
	1-5/16	@	INS-SXRH-105-E	@	INS-SXRH-105
	1-3/8	@	INS-SXRH-106-E	@	INS-SXRH-106
	1-7/16	126476	INS-SXRH-107-E	126476	INS-SXRH-107
	35mm	@	INS-SXRH-35M-E	@	INS-SXRH-35M
209	1-5/8	@	INS-SXRH-110-E	@	INS-SXRH-110
	1-11/16	@	INS-SXRH-111-E	@	INS-SXRH-111
	1-3/4	@	INS-SXRH-112-E	@	INS-SXRH-112
	45mm	@	INS-SXRH-45M-E	@	INS-SXRH-45M
210	1-15/16	126477	INS-SXRH-115-E	126477	INS-SXRH-115
	2	@	INS-SXRH-200-E	@	INS-SXRH-200
	50mm	@	INS-SXRH-50M-E	@	INS-SXRH-50M
211	2	@	INS-SXRH-200L-E	@	INS-SXRH-200L
	2-3/16	126478	INS-SXRH-203-E	126478	INS-SXRH-203
	55mm	@	INS-SXRH-55M-E	@	INS-SXRH-55M
212	2-1/4	@	INS-SXRH-204-E	@	INS-SXRH-204
	2-7/16	126479	INS-SXRH-207-E	126479	INS-SXRH-207
	60mm	@	INS-SXRH-60M-E	@	INS-SXRH-60M

SELECTION/DIMENSIONS



Eccentric Collar Ball Bearings SXRH-E EXPANSION AND SXRH NON-EXPANSION NORMAL DUTY BEARING INSERTS

Series	Shaft Size	Weight Exp lbs. kg	Weight N.E. lbs. kg	A	B	C	D	E	J	L	N	W	Y	Z
206	1-1/16	1.51	0.91	1.77	2.875	0.69	2.4409	0.94	0.16	1.75	5/16-24	0.58	1.19	1.57
	1-1/8	1.49	0.89											
	1-3/16	1.43	0.83											
	1-1/4	1.40	0.80											
	30mm	0.65	0.38	45.0	73.03	17.5	62.000	23.9	4.1	44.5	M8x1.25	14.7	30.2	39.9
207	1-1/4	1.92	1.44	1.95	3.272	0.75	2.8346	1.00	0.20	2.13	5/16-24	0.67	1.28	1.84
	1-5/16	1.85	1.33											
	1-3/8	1.82	1.26											
	1-7/16	1.81	1.20											
	35mm	0.78	0.55	49.5	83.11	19.1	72.000	25.4	5.1	54.1	M8x1.25	17.0	32.5	46.7
209	1-5/8	2.97	1.98	2.13	3.813	0.87	3.3465	1.20	0.25	2.50	5/16-24	0.75	1.38	2.22
	1-11/16	2.89	1.87											
	1-3/4	2.89	1.82											
	45mm	0.61	0.81	54.1	96.85	22.1	85.000	30.5	6.4	63.5	M8x1.25	19.1	35.1	56.4
210	1-15/16	3.2	2.18	2.25	4.000	0.87	3.5433	1.36	0.25	2.75	3/8-24	0.75	1.50	2.43
	2	3.12	2.03											
	50mm	1.41	0.95	57.2	101.60	22.1	90.000	34.5	6.4	69.9	M10x1.5	19.1	38.1	61.7
211	2	4.52	3.35	2.59	4.475	0.94	3.9370	1.38	0.25	3.00	3/8-24	0.88	1.71	2.71
	2-3/16	4.31	2.88											
	55mm	1.92	1.28	65.8	113.67	23.9	100.000	35.1	6.4	76.2	M12x1.75	22.4	43.4	68.8
212	2-1/4	5.46	3.78	2.74	5.035	1.02	4.3307	1.55	0.25	3.31	7/16-20	0.90	1.84	2.97
	2-7/16	5.46	3.45											
	60mm	2.59	1.68	69.6	127.89	25.9	110.000	39.4	6.4	84.1	M12x1.75	22.9	46.7	75.4

FEATURES/BENEFITS PAGE B7-3	HOW TO ORDER/NOMENCLATURE PAGE B7-5	EASY SELECTION PAGE B7-8	ACCESSORIES PAGE B7-44
--------------------------------	--	-----------------------------	---------------------------

Eccentric Collar Ball Bearing
Setscrew VSC Ball Bearing
Eccentric SXV Collar Ball Bearing
Take-Up Frames
Engineering
Part Number Index
Keyword Index



Eccentric Collar Ball Bearings

LUBRICANTS

DODGE ball bearings are factory lubricated with a lithium complex base lubricant. For applications where extreme ambient temperatures or speeds are anticipated or environmental considerations require a different lubricant, DODGE has a variety of lubricants available. Special lubricant options usually require set-up charges and premiums.

HIGH TEMPERATURE

DODGE high temperature bearings are designed to operate in temperatures from 225° F (108° C) to 400° F (205° C). The bearings have adjusted internal clearance, labyrinth seals, retainers, and lubricants to meet the temperature needs of the application. To insure proper replacement, the bearing is identified by a six digit part number etched on a stainless steel nameplate riveted to the housing. The part number identifies the specific feature of the bearing. High temperature bearings are factory assembled to order and are available at extra cost. Consult Dodge Engineering for application assistance at (864)284-5700 or fax (864) 281-2317.

AIR HANDLING

Industrial fans and blowers generally operate at high speeds with bearing requirements of long life and quiet operation. Dodge stocks a complete line of SC and SCM air handling ball bearings that are specifically designed to meet the requirements of the Air Handling Industry. However SXR air handling ball bearings in a wide variety of sizes and housing configurations can be supplied on a made/assembled to order basis. These bearings are 100% inspected for quiet operation and are recommended for fan and blower operations.

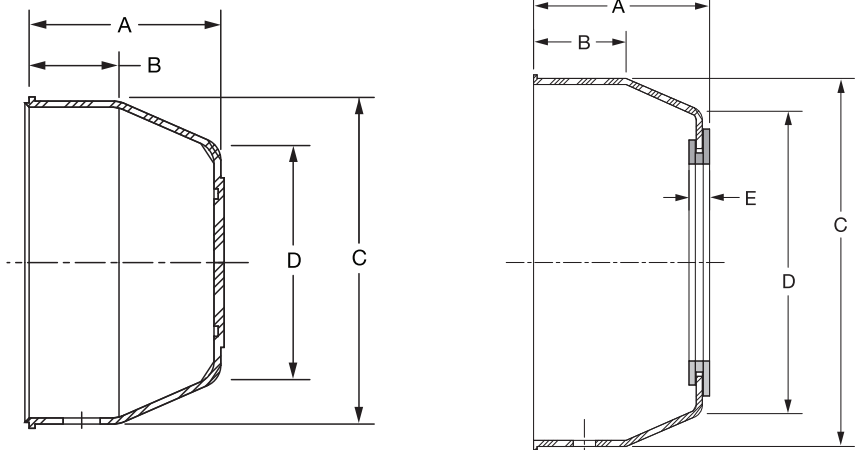
OTHER MODIFICATIONS

For applications requiring modifications not listed, we encourage you to contact our Customer Order Engineering Department at (864) 284-5700 or fax (864) 281-2317.

FEATURES/BENEFITS PAGE B7-3	HOW TO ORDER/NOMENCLATURE PAGE B7-5	SELECTION PAGE B7-6	SELECTION/DIMENSIONS PAGE B7-12
--------------------------------	--	------------------------	------------------------------------



Extreme Duty Ball Bearing END CLOSURES



Series	Closed End Closure	
	Part Number	Description
204	128280	EC-204-Y
205	128281	EC-205-Y
206	128282	EC-206-Y
207	128283	EC-207-Y
208	128284	EC-208-Y
209	128285	EC-209-Y
210	128286	EC-210-Y
211	128277	EC-211-Y
212	128278	EC-212-Y
214	128220	EC-214
215	128221	EC-215
216	128222	EC-216
218	128223	EC-218

Open End Closure		
Shaft Size	Part Number	Description
3/4	128350	ECO-012-Y
20mm	128363	ECO-20M-Y
1	128351	ECO-100-Y
25mm	128364	ECO-25M-Y
1-3/16	128352	ECO-103-Y
1-1/4	128353	ECO-104S-Y
30mm	128365	ECO-30M-Y
1-1/4	128355	ECO-104-Y
1-7/16	128354	ECO-107-Y
35mm	128366	ECO-35M-Y
1-1/2	128356	ECO-108-Y
40mm	128367	ECO-40M-Y
1-11/16	128357	ECO-111-Y
45mm	128368	ECO-45M-Y
1-15/16	128358	ECO-115-Y
50mm	128369	ECO-50M-Y
1-15/16	079702	ECO-115 (211) †
2	079701	ECO-200 (211) †
2-3/16	079700	ECO-203 (211)
2-1/4	079699	ECO-204 (211)
50mm	079698	ECO-50M (211) †
55mm	079697	ECO-55M (211)
2-3/16	079696	ECO-203 (212) †
2-1/4	079695	ECO-204 (212) †
2-7/16	079694	ECO-207 (212)
55mm	079693	ECO-55M (212) †
60mm	079692	ECO-60M (212)
2-7/16	127328	ECO-207 (214) †
2-1/2	127329	ECO-208 (214) †
2-11/16	127330	ECO-211 (214)
65mm	127337	ECO-65M (214) †
70mm	127338	ECO-70M (214)
2-11/16	127331	ECO-211 (215) †
2-15/16	127332	ECO-215 (215)
70mm	127339	ECO-70M (215) †
75mm	127340	ECO-75M (215)
2-15/16	127333	ECO-215 (216) †
3	127334	ECO-300 (216) †
75mm	127340	ECO-75M (216) †
3-7/16	127335	ECO-307 (218) †
3-1/2	127336	ECO-308 (218) †
85MM	127342	ECO-85M (218) †
90MM	127343	ECO-90M (218)

† SCM Series only

FEATURES/BENEFITS PAGE B7-3	HOW TO ORDER/NOMENCLATURE PAGE B7-5	SELECTION PAGE B7-6	SELECTION/DIMENSIONS PAGE B7-12
--------------------------------	--	------------------------	------------------------------------



Extreme Duty Housed Mounted Bearings

Open Cover Dimensions

Series	Shaft Size	A	B	C	D	E
204	3/4	1.19	0.53	1.91	1.38	0.19
	20mm	30.2	13.5	48.4	35.1	4.9
205	1	1.25	0.53	2.17	1.61	0.19
	25mm	31.8	13.5	55.1	40.9	4.9
206	1-3/16	1.39	0.56	2.50	0.97	0.19
	1-1/4					
	30mm	35.3	14.2	63.5	50.0	4.9
207	1-1/4	1.53	0.69	2.91	2.31	0.19
	1-7/16					
208	35mm	38.9	17.5	73.9	58.9	4.9
	1-1/2	1.59	0.69	3.31	2.77	0.20
209	40mm	40.6	17.5	84.1	70.1	5.1
	1-11/16	1.66	0.72	3.50	2.88	0.20
210	45mm	41.9	18.3	88.9	72.9	5.1
	1-15/16	1.72	0.91	3.63	3.00	0.20
211	50mm	43.7	23.1	91.4	76.2	5.1
	1-15/16	1.80	0.97	3.94	3.30	0.21
	2					
	2-3/16					
2-1/4	50mm	45.5	24.6	100.1	83.6	5.3
212	55mm	1.91	1.00	4.38	3.66	0.21
	2-3/16					
	2-1/4	48.3	25.4	111.3	92.7	5.3
	2-7/16					
214	55mm	3.00	1.50	4.90	3.75	0.30
	60mm					
	2-7/16	76.2	38.1	124.5	95.3	5.3
	2-1/2					
2-11/16	3.00	1.50	5.20	4.00	0.30	
65mm						
215	70mm	76.2	38.1	132.1	101.6	5.3
	75mm	3.00	1.50	5.50	4.38	0.30
	2-11/16					
216	2-15/16	3.00	1.50	5.50	4.38	0.30
	3	76.2	38.1	139.7	111.1	5.3
218	75mm	3.09	1.50	6.25	5.00	0.30
	3-7/16					
	85mm	78.6	38.1	158.8	127.0	5.3
218	90mm	3.09	1.50	6.25	5.00	0.30
	3-1/2					

Closed Cover Dimensions

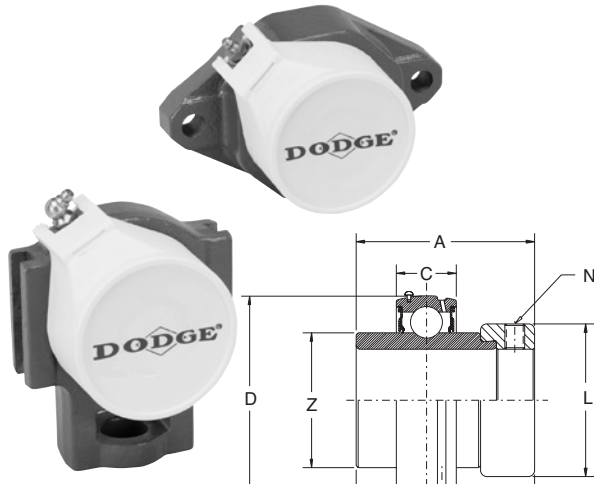
Series	Shaft Size	A	B	C	D
204	3/4	1.13	0.53	1.91	1.38
	20mm	28.7	13.5	48.4	35.1
205	1	1.19	0.53	2.17	1.61
	25mm	30.2	13.5	55.1	40.9
206	1-3/16	1.33	0.56	2.50	0.97
	1-1/4				
	30mm	33.8	14.2	63.5	50.0
207	1-1/4	1.47	0.69	2.91	2.31
	1-7/16				
208	35mm	37.3	17.5	73.9	58.9
	1-1/2	1.55	0.69	3.31	2.77
209	40mm	39.1	17.5	84.1	70.1
	1-11/16	1.59	0.72	3.50	2.88
210	45mm	40.4	18.3	88.9	72.9
	1-15/16	1.66	0.91	3.62	3.00
211	50mm	42.2	23.1	91.4	76.2
	1-15/16	1.80	0.97	3.94	3.30
	2				
	2-3/16				
2-1/4	50mm	45.5	24.6	100.1	83.6
212	55mm	1.91	1.00	4.38	3.66
	2-3/16				
	2-1/4	48.3	25.4	111.3	92.7
	2-7/16				
214	55mm	3.00	1.50	4.90	3.75
	60mm				
	2-7/16	76.2	38.1	124.5	95.3
	2-1/2				
2-11/16	3.00	1.50	5.20	4.00	
65mm					
215	70mm	76.2	38.1	132.1	101.6
	75mm	3.00	1.50	5.50	4.38
	2-11/16				
216	2-15/16	3.00	1.50	5.50	4.38
	3	76.2	38.1	139.7	111.1
218	75mm	3.09	1.50	6.25	5.00
	3-7/16				
	85mm	78.6	38.1	158.8	127.0
218	90mm	3.09	1.50	6.25	5.00
	3-1/2				

FEATURES/BENEFITS PAGE B7-3	HOW TO ORDER/NOMENCLATURE PAGE B7-5	SELECTION PAGE B7-6	SELECTION/DIMENSIONS PAGE B7-12
--------------------------------	--	------------------------	------------------------------------

RELATED PRODUCTS

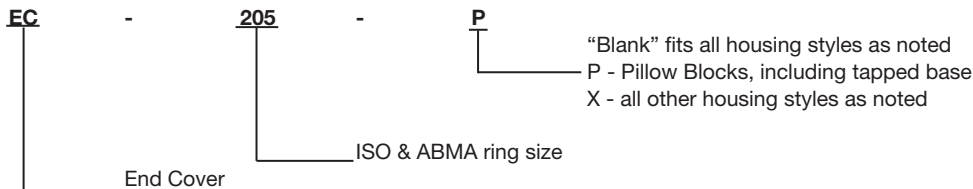


Eccentric Collar Ball Bearings DODGE Ball Bearing End Covers*



- Fits all styles of DODGE cast iron housed ball bearings: Pillow Blocks, 2 and 4 Bolt Flanges, and Take-Up bearings
- Injected molded, impact resistant, OSHA safety yellow end covers meet requirements for exposed rotating shafts
- Stainless steel "C" Washer for gripping power
- No modification or machining of existing housings required
- Concentric knockout grooves on inside of end cover for thru-shaft
- DODGE six digit part number and description embossed inside
- Operating temperature to 250° F
- For non relubricable/sealed for life applications (-NL), part number 430020 hex head plug is available

Nomenclature



Series	Pillow Blocks Std, U, B	Tapped Base PB	2 Bolt Flange	Flanged Bracket	4 Bolt Flange	Piloted Flange (FC)	Narrow Slot Take-Up	Wide Slot Take-Up
203	X		X		X			
204	X	X	X		X		X	X
205	X	X	X	X	X		X	X
206	X	X	X	X	X	@	X	X
207	X	X	X	X	X	@	X	X
208	X	X	X		X	@	X	X
209	X	X	X		X	@	X	X
210	X	X	X	X	X	@	X	X
211	X	X	X		X	NA	X	X
212	X		X		X	NA	X	X
214	X				X	NA		X
215	X				X			X
216	X				X	X		X
218	X				X	X		

* = Will not fit LF, LFT, SCHB, HNGR & CLY
 @ = Some modification required

NA = Will not fit
 X = Will fit

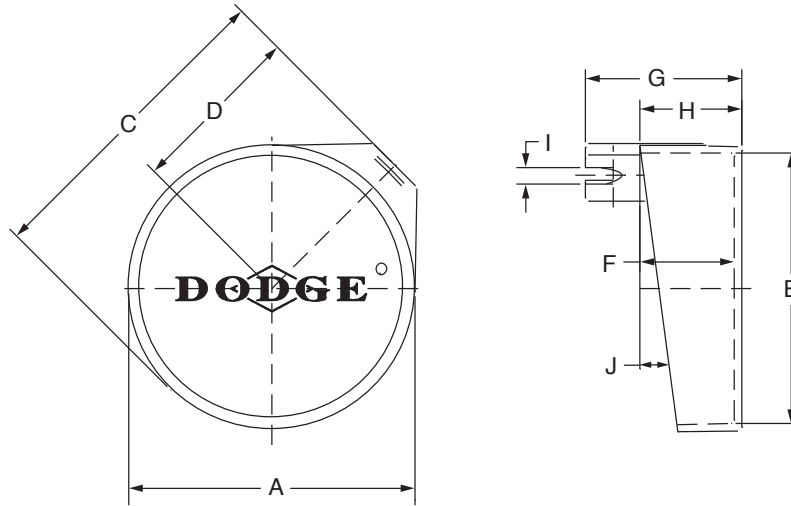
FEATURES/BENEFITS PAGE B7-3	HOW TO ORDER/NOMENCLATURE PAGE B7-5	SELECTION PAGE B7-6	SELECTION/DIMENSIONS PAGE B7-12
--------------------------------	--	------------------------	------------------------------------

Eccentric Collar Ball Bearing
 Setscrew VSC Ball Bearing
 Eccentric SXV Collar Ball Bearing
 Take-Up Frames
 Engineering
 Part Number Index
 Keyword Index



RELATED PRODUCTS

Eccentric Collar Ball Bearings
BALL BEARING END COVERS FOR PILLOW BLOCKS & TAPPED BASE UNITS



Series	Shaft Size*		Part Number	Description
	SXR, SXV	SXRH		
203	1/2 & 5/8 17mm	-----	128200	EC-203-P
204	3/4 20mm	-----	128202	EC-204-P
205	7/8 - 1 25mm	-----	128204	EC-205-P
206	1-1/16 - 1-1/4 30mm	-----	128206	EC-206-P
207	1-1/4 - 1-7/16 35mm	1-3/16 & 1-3/4 30mm	128208	EC-207-P
208	1-1/2 40mm	1-7/16 35mm	128210	EC-208-P
209	1-5/8 - 1-3/4 45mm	-----	128212	EC-209-P
210	1-15/16 & 2 50mm	1-11/16 & 1-3/4 45mm	128214	EC-210-P
211	2 - 2-3/16 55mm	1-15/16 & 2 50mm	128216	EC-211-P
212	2-1/4 - 2-7/16 60mm	2-3/16 55mm	128218	EC-212-P

* NOTE: SXRH uses the next larger end cover. E.G. A P2B-SXRH-103 would use a EC-207-P

RELATED PRODUCTS



Eccentric Collar Ball Bearings BALL BEARING END COVERS FOR PILLOW BLOCKS & TAPPED BASE UNITS

Eccentric Collar Ball Bearing

Setscrew VSC Ball Bearing

Eccentric SXV Collar Ball Bearing

Take-Up Frames

Engineering

Part Number Index

Keyword Index

Series	Shaft Size		Weight lbs gm	A	C	D	E	F	G	H	I	J
	SXR, SXV	SXRH										
203	1/2 & 5/8 17mm	-----	.02 9	1-25/32 45.2	2-7/64 53.6	1-3/32 27.7	1-41/64 41.7	49/64 19.6	1-29/64 37.1	29/32 22.9	1/4 6.4	9
204	3/4 20mm	-----	.03 14	2-3/64 52.0	2-37/64 65.3	1-19/64 33.0	1-55/64 47.2	1-1/64 25.7	1-49/64 45.0	1-5/32 29.5	5/16 7.9	11
205	7/8 - 1 25mm	-----	.05 23	2-3/8 60.2	2-13/16 71.4	1-3/16 35.0	2-5/32 54.9	1-1/16 26.9	1-7/8 47.8	1-7/32 31.0	11/32 8.6	9
206	1-1/16 - 1-1/4 30mm	-----	.07 34	2-47/64 69.3	3-21/64 84.3	1-45/64 43.2	2-1/2 63.5	1-15/64 31.5	2-5/32 54.9	1-13/32 35.6	23/64 8.9	9
207	1-1/4 - 1-7/16 35mm	1-3/16 & 1-1/4 30mm	.11 48	3-1/4 82.6	3-51/64 96.3	1-29/32 48.5	3-1/64 76.7	1-5/16 33.3	2-11/32 59.4	1-31/64 37.6	3/8 9.4	7 30'
208	1-1/2 40mm	1-7/16 35mm	.13 61	3-3/8 85.9	4.0 101.6	2-1/16 52.3	3-7/64 79.0	1-19/64 33.0	2-13/32 61.0	1-1/2 38.1	27/64 10.7	6
209	1-5/8 - 1-3/4 45mm	-----	.15 69	3-11/16 93.7	4-17/64 108.2	2-11/64 55.1	3-13/32 86.6	1-21/64 33.8	2-21/64 59.2	1-17/32 38.9	25/64 9.9	7
210	1-15/16 & 2 50mm	1-11/16 & 1-3/4 45mm	.17 78	3-7/8 98.6	4-1/2 114.3	2-19/32 59.2	3-37/64 90.9	1-23/64 34.3	2-1/2 63.5	1-9/16 39.6	31/64 12.5	9
211	2 - 2-3/16 55mm	1-15/16 & 2 50mm	.22 102	4-27/64 112.3	5-1/16 128.5	2-19/32 66.0	4-1/8 104.7	1-13/32 35.8	2-37/64 65.3	1-5/8 41.2	29/64 11.4	7
212	2-1/4 - 2-7/16 60mm	2-3/16 55mm	.26 118	4-59/64 125.0	5-29/64 138.7	2-3/4 69.9	4-39/64 117.1	1-17/32 38.9	2-11/16 68.3	1-3/4 44.5	13/32 10.4	8

For no-re-lube (-NL) applications, part number 430020, hex head plug is available

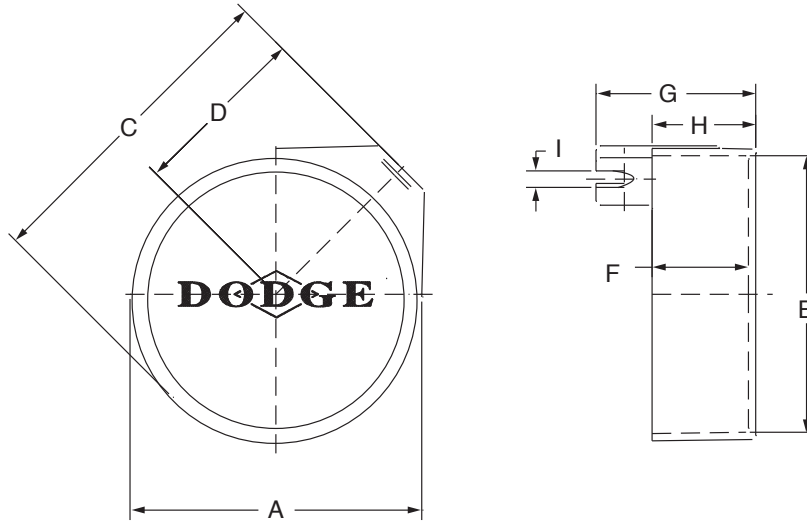
FEATURES/BENEFITS PAGE B7-3	HOW TO ORDER/NOMENCLATURE PAGE B7-5	SELECTION PAGE B7-6	SELECTION/DIMENSIONS PAGE B7-12
--------------------------------	--	------------------------	------------------------------------



RELATED PRODUCTS

Eccentric Collar Ball Bearings

BALL BEARING END COVERS FOR MOUNTED UNITS OTHER THAN PILLOW BLOCKS & TAPPED BASE UNITS



Series	Shaft Size*	Part Number	Description
	SXR, SXV		
203	1/2 & 5/8 17mm	128201	EC-203-X
204	3/4 20mm	128203	EC-204-X
205	7/8 - 1 25mm	128205	EC-205-X
206	1-1/16 - 1-1/4 30mm	128207	EC-206-X
207	1-1/4 - 1-7/16 35mm	128209	EC-207-X
208	1-1/2 40mm	128211	EC-208-X
209	1-5/8 - 1-3/4 45mm	128213	EC-209-X
210	1-15/16 & 2 50mm	128215	EC-210-X
211	2 - 2-3/16 55mm	128217	EC-211-X
212	2-1/4 - 2-7/16 60mm	128219	EC-212-X

* NOTE: Above end covers will not fit the LF and LFT bearings

RELATED PRODUCTS



Eccentric Collar Ball Bearings

BALL BEARING END COVERS FOR MOUNTED UNITS OTHER THAN PILLOW BLOCKS & TAPPED BASE UNITS

Series	Shaft Size	Weight <i>lbs</i> <i>gm</i>	A	C	D	E	F	G	H	I
	SXR, SXV									
203	1/2 & 5/8	0.02	1-51/64	2-13/64	1-3/16	1-41/64	51/64	1-29/64	15/16	1/4
	17mm	10	45.5	56.1	30.2	41.7	20.3	37.1	23.9	6.4
204	3/4	0.03	2-7/32	2-47/64	1-25/64	2-1/32	1-1/64	1-13/16	1-5/32	5/16
	20mm	15	56.1	69.6	35.3	51.6	25.7	45.7	29.5	7.9
205	7/8 - 1	0.05	2-3/8	3-3/64	1-19/32	2-5/32	1-1/64	1-53/64	1-11/64	11/32
	25mm	24	60.2	77.2	40.6	54.9	25.7	46.5	29.7	8.7
206	1-1/16 - 1-1/4	0.08	2-47/64	3-21/64	1-45/64	2-1/2	1-3/16	2-1/16	1-23/64	23/64
	30mm	36	69.3	84.3	43.2	63.5	30.2	52.3	34.5	8.9
207	1-1/4 - 1-7/16	0.12	3-1/4	3-27/32	1-31/32	3-1/64	1-11/32	2-11/32	1-17/32	3/8
	35mm	53	82.6	97.5	50.0	76.7	34.5	59.4	38.9	9.4
208	1-1/2	0.14	3-3/8	4.0	2-1/16	3-7/64	1-19/64	2-13/32	1-1/2	27/64
	40mm	64	85.9	101.6	52.3	79.0	33.0	61.0	38.1	10.7
209	1-5/8 - 1-3/4	0.16	3-11/16	4-17/64	2-11/64	3-13/32	1-23/64	2-21/64	1-17/32	25/64
	45mm	73	93.7	108.2	55.1	86.6	34.3	59.2	38.9	9.9
210	1-15/16 & 2	0.18	3-7/8	4-1/2	2-21/64	3-9/16	1-23/64	2-33/64	1-9/16	31/64
	50mm	82	98.6	114.3	59.2	90.9	34.3	63.8	39.6	12.4
211	2 - 2-3/16	0.24	4-27/64	5-1/16	2-19/32	4-1/8	1-29/64	2-37/64	1-21/32	29/64
	55mm	108	112.3	128.5	66.0	104.7	36.8	65.3	42.2	11.4
212	2-1/4 - 2-7/16	0.27	4-59/64	5-15/32	2-3/4	4-39/64	1-35/64	2-11/16	1-3/4	13/32
	60mm	124	125.0	138.7	69.9	117.1	39.1	68.3	44.5	10.4

FEATURES/BENEFITS PAGE B7-3	HOW TO ORDER/NOMENCLATURE PAGE B7-5	SELECTION PAGE B7-6	SELECTION/DIMENSIONS PAGE B7-24
--------------------------------	--	------------------------	------------------------------------



NOTES

Eccentric Collar Ball Bearings

Setcrew VSC Ball Bearing

Eccentric SXV Collar Ball Bearing

Take-Up Frames

Engineering

Part Number Index

Keyword Index

CONTENTS



Setscrew VSC Ball Bearings

Features / Benefits	B8-2
How to Order/Nomenclature	B4-5
Selection	B8-3
Selection/Dimensions	B8-8
Modification/Accessories	B8-26
Part Number Index	INDEX-1
Key Word Index	KEYWORD-1

Eccentric Collar Ball Bearing

Setscrew VSC Ball Bearing

Eccentric SXV Collar Ball Bearing

Take-Up Frames

Engineering

Part Number Index

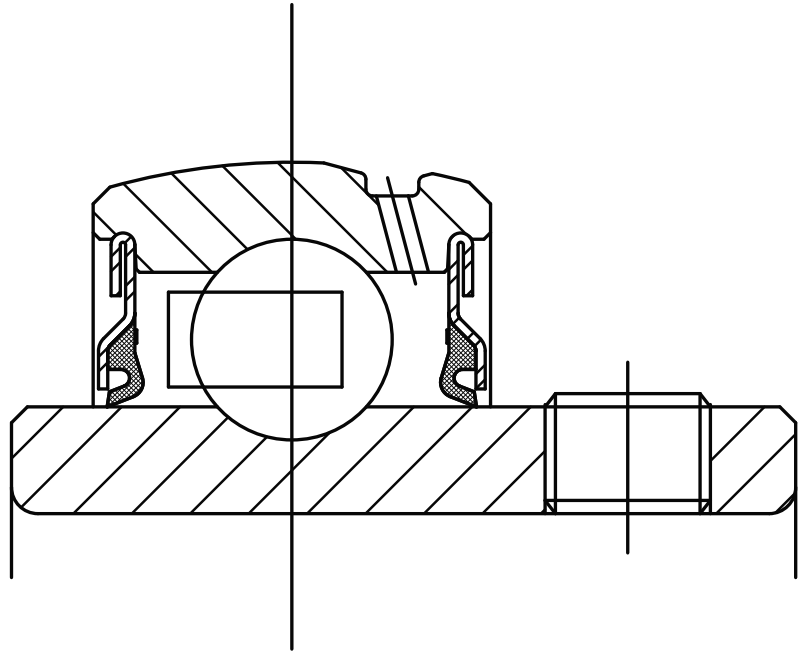
Keyword Index



FEATURES/BENEFITS

Setscrew VSC Ball Bearings

- 65° Setscrew
- Wide Inner Ring Design NEW!
- Fiberglass Reinforced Nylon Cage
- Grade 10 Balls
- ProGuard Single Lip Seal
- No Groove in Housing for End Cover
- Multiple Housing Styles Available
 - P2B, F2B, F4B, WSTU, NSTU
- Bore Range
 - 1/2" To 2-3/16"
 - 20mm to 55mm



Eccentric Collar Ball Bearings

Setscrew VSC Ball Bearing

Eccentric SXV Collar Ball Bearing

Take-Up Frames

Engineering

Part Number Index

Keyword Index

Note: Instruction manuals and drawings for Dodge are available on www.dodge-pt.com



Setscrew VSC Ball Bearings

Recommended Torque													
Setscrews					D-LOK			Mounting Bolts					
Setscrew Size	Key Hex Across Flats	◆ Recommended Torque			Cap Screw Size	Recom. Torque	EZ-KLEEN Recom. Torque	Metal Housings		EZ-KLEEN Housed Bearings			
		Standard Ball Bearing Insert		Corrosion Resistant Stainless Steel				Bolt Size	Recom. Dry Torque (Grade 2)	2-Bolt PB, 2 & 4 Bolt Fig. and Fig. Brackets		Tapped Base PB	
		Min	Max							Bolt Size	Torque ①	Bolt Size	Torque ②
(in.)	(in.)	(in.-lbs.)	(in.-lbs.)	(in.-lbs.)	(in.)	(in.Olbs.)	(in.-lbs.)	(in.)	(in.Olbs.)	(in.)	(in.-lbs.)	(in.)	(in.-lbs.)
#10	3/32	28	33	25	#8-32	58	46	3/8-16	240	3/8-16	225	3/8-16	175
1/4	1/8	66	80	60	#10-32	90	72	7/16-14	384	7/16-14	350	7/16-14	350
5/16	5/32	126	156	117	1/4-28	180	144	1/2-13	600	1/2-13	500	1/2-13	400
3/8	3/16	228	275	206	5/16-24	400	320	5/8-11	1200	9/16-12	650		
7/16	7/32	342	428	321	3/8-24	750	600	3/4-10	1950	5/8-11	1000		
								7/8-9	2890				
(mm)	(mm)	(N-m)	(N-m)	(N-m)	(mm)	(N-m)	(N-m)	(mm)	(N-m)	(mm)	(N-m)		
M5	2.5	3.2	3.7	2.8	M4	585	4.68	M10	29	M8	15	①Torque for Austenitic (18-8) Stainless ②Max. torque values published. Do not exceed	
M6	3	6.2	7.7	5.8	M5	10.75	8.6	M12	50	M10	25		
M8	4	14.2	17.8	13.4	M6	20.5	16.4	M16	124	M12	50		
M10	5	26	31	23	M8	45	36	M20	238	M14	75		
M12	6	46	57	43				M22	322	M18	125		

Lubrication

High Speed Operation - In the higher speed ranges, too much grease will cause over-heating. The amount of grease that the bearing will take for a particular high speed application can only be determined by experience. If excess grease in the bearing causes overheating, it will be necessary to remove grease fitting to permit excess grease to escape. The bearing has been greased at the factory and is ready to run. When establishing a relubrication schedule, note that a small amount of grease at frequent intervals is preferable to a large amount at infrequent intervals.

◆ **Note:** Dodge does not recommend the use of oils or locking agents on setscrew threads. However, if utilized, the minimum installation torque values should be followed.

Lubrication Guide

Use a No. 2 Lithium complex base grease or equivalent*

Hours Run per Day	Suggested Lubrication Period in Weeks							
	1 to 250 RPM	251 to 500 RPM	501 to 750 RPM	751 to 1000 RPM	1001 to 1500 RPM	1501 to 2000 RPM	2001 to 2500 RPM	2501 to 3000 RPM
8	12	12	10	7	5	4	3	2
16	12	7	5	4	2	2	1	1
24	10	5	3	2	1	1	1	1

* For EZ-KLEEN series bearings, use an aluminum complex base grease.

Lubrication recommendations are intended for standard products applied in general operating conditions. For modified products, high temperature applications, and other anomalous applications contact product engineering at 864-284-5700.

Note: Bearing analysis program "BEST" is available on www.ptwizard.com

FEATURES/BENEFITS PAGE B8-2	HOW TO ORDER/NOMENCLATURE PAGE B4-5	SELECTION/DIMENSIONS PAGE B8-8	ACCESSORIES PAGE B8-26
--------------------------------	--	-----------------------------------	---------------------------



SELECTION

Setscrew VSC Ball Bearings Inch

Table 2: Easy Selection Table For Ball Bearing Mounted Units

Table with columns: Ring Size, Shaft Size (SC, VSC, SL, CC, SCM), Dynamic Capacity C, Lbs., Static Capacity Co, Lbs., L10 LIFE HOURS, and Allowable Equivalent Radial Load Rating (Lbs.) At Various Rpm* (50, 150, 250, 500, 750, 1000, 1500, 1750, 2000).

* Slight interference fit required when operating on the right of the heavy line or in the shaded area ** Piloted flange only

Note: Bearing analysis program "BEST" is available on www.ptwizard.com

Navigation table with four columns: FEATURES/BENEFITS PAGE B8-2, HOW TO ORDER/NOMENCLATURE PAGE B4-5, SELECTION/DIMENSIONS PAGE B8-8, ACCESSORIES PAGE B8-26

Eccentric Collar Ball Bearings

Setscrew VSC Ball Bearing

Eccentric SXV Collar Ball Bearing

Take-Up Frames

Engineering

Part Number Index

Keyword Index

SELECTION



Setscrew VSC Ball Bearings Inch

Table 2 (continued): Easy Selection Table for Ball Bearing Mounted Units

Ring Size	Shaft Size		Dynamic Capacity C, Lbs.	Static Capacity Co, Lbs.	L ₁₀ LIFE HOURS	Allowable Equivalent Radial Load Rating (Lbs.) At Various Rpm*								
	SC, VSC, SL, CC	SCM				2500	3000	3500	4000	4500	5000	5500	6500	7500
203	1/2 5/8		2158	1079	20000	150	140	135	130	125	120	115	110	105
					30000	130	125	115	110	105	105	100	95	90
					40000	120	110	105	100	95	95	90	85	80
					60000	105	95	95	90	85	80	80	75	70
					100000	85	80	80	75	70	70	65	65	60
204	1/2 5/8 3/4 13/16		2899	1482	20000	200	190	180	170	165	160	155	145	140
					30000	175	165	155	150	145	140	135	130	120
					40000	160	150	145	135	130	125	125	115	110
					60000	140	130	125	120	115	110	105	100	95
					100000	115	110	105	100	90	95	90	85	80
205	7/8 15/16 1		3146	1769	20000	220	205	195	185	180	175	170	160	150
					30000	190	180	170	165	155	150	145	140	130
					40000	175	165	155	150	140	135	135	125	120
					60000	150	140	135	130	125	120	115	110	105
					100000	125	120	115	110	105	100	100	95	90
206	1-1/16 1-1/8 1-3/16 1-1/4	1	4368	2538	20000	305	285	270	260	250	240	235	200	
					30000	265	250	235	225	220	210	205	195	
					40000	240	225	215	205	200	190	185	175	
					60000	210	200	190	180	175	165	160	155	
					100000	175	165	160	150	145	140	135	130	
207	1-1/4 1-5/16 1-3/8 1-7/16	1-3/16 1-1/4	5759	3461	20000	400	375	355	340	330	315	305		
					30000	350	330	310	300	285	275	270		
					40000	315	300	285	270	260	250	245		
					60000	275	260	250	235	230	220	225		
					100000	235	220	210	200	190	185	180		
208	1-1/2 1-5/8	1-7/16 1-1/2**	7332	4475	20000	510	480	455	435	420	405			
					30000	445	420	400	380	365	355			
					40000	405	380	360	345	330	320			
					60000	355	330	315	300	290	280			
					100000	300	280	265	255	245	235			
209	1-5/8 1-11/16 1-3/4	1-1/2	7891	4906	20000	550	515	490	470	450	435			
					30000	480	450	430	410	395	380			
					40000	435	410	390	370	360	345			
					60000	380	360	340	325	310	300			
					100000	320	300	285	275	265	255			
210	1-15/16 2	1-11/16 1-3/4	7891	5213	20000	550	515	490	470	450				
					30000	480	450	430	410	395				
					40000	435	410	390	370	360				
					60000	380	360	340	325	310				
					100000	320	300	285	275	265				
211	2 2-3/16 2-1/4	1-15/16 2	9755	6588	20000	676	636	604	578					
					30000	591	556	528	505					
					40000	537	505	480	459					
					60000	469	441	419	401					
					100000	395	372	353	338					
212	2-1/4 2-7/16	2-3/16 2-1/4	11791	8100	20000	820	770	730						
					30000	715	675	640						
					40000	650	610	580						
					60000	570	535	510						
					100000	480	450	430						
214	2 11/16	2-7/16 2-1/2	13995	9838	20000	970	915							
					30000	850	800							
					40000	770	725							
					60000	675	635							
					100000	570	535							
215	2-15/16	2-11/16	14872	11108	20000	1035	975							
					30000	905	850							
					40000	820	770							
					60000	715	675							
					100000	605	570							
216		2-15/16 3	17407	13102	20000	1210								
					30000	1055								
					40000	960								
					60000	840								
					100000	705								
218		3-7/16 3-1/2	21451	16641	20000									
					30000									
					40000									
					60000									
					100000									

* Slight interference fit required when operating on the right of the heavy line or in the shaded area ** Piloted flange only

Note: Bearing analysis program "BEST" is available on www.ptwizard.com

FEATURES/BENEFITS PAGE B8-2	HOW TO ORDER/NOMENCLATURE PAGE B4-5	SELECTION/DIMENSIONS PAGE B8-8	ACCESSORIES PAGE B8-26
--------------------------------	--	-----------------------------------	---------------------------

Eccentric Collar Ball Bearing

Setscrew VSC Ball Bearing

Eccentric SXV Collar Ball Bearing

Take-Up Frames

Engineering

Part Number Index

Keyword Index



Setscrew VSC Ball Bearings Inch

Table 2 (continued): Easy Selection Table for Ball Bearing Mounted Units

Ring Size	Shaft Size		Dynamic Capacity C, N.	Static Capacity Co, N.	L ₁₀ Life Hours	Allowable Equivalent Radial Load Rating (N.) At Various Rpm*								
	SC, VSC, SL, C	SCM				2500	3000	3500	4000	4500	5000	5500	6500	7500
203	17mm		9600	4800	20000	667	623	600	578	556	534	512	489	467
					30000	578	556	512	489	467	467	445	423	400
					40000	534	489	467	445	423	423	400	378	356
					60000	467	423	423	400	378	356	358	334	311
					100000	378	356	356	334	311	311	289	289	267
204	20mm		12895	6592	20000	890	845	801	756	734	712	689	645	623
					30000	778	724	689	667	645	623	600	578	534
					40000	712	667	645	600	578	556	556	512	489
					60000	623	578	556	534	512	489	467	445	423
					100000	512	489	467	445	400	423	400	378	356
205	25mm		13995	7869	20000	979	912	867	823	801	778	756	712	667
					30000	845	801	756	734	689	667	645	623	578
					40000	778	734	689	667	623	600	600	556	534
					60000	667	623	600	578	556	534	512	489	467
					100000	556	534	512	489	467	445	445	423	400
206	30mm	25mm	18993	11,290	20000	1357	1268	1201	1156	1112	1068	1045	979	
					30000	1179	1112	1045	1001	979	934	912	867	
					40000	1068	1001	958	912	890	845	823	778	
					60000	934	890	845	801	778	734	712	689	
					100000	778	734	712	667	645	623	600	578	
207	35mm	30mm	25628	15,395	20000	1779	1668	1579	1512	1468	1401	1357		
					30000	1557	1468	1379	1134	1268	1223	1201		
					40000	1401	1334	1268	1201	1156	1112	1090		
					60000	1223	1156	1112	1045	1023	979	956		
					100000	1045	979	934	890	845	823	801		
208	40mm	35mm	32627	19,906	20000	2268	2135	2024	1935	1868	1801			
					30000	1979	1868	1779	1690	1624	1579			
					40000	1801	1690	1601	1535	1468	1423			
					60000	1576	1468	1401	1334	1290	1245			
					100000	1334	1245	1179	1134	1090	1045			
209	45mm	40mm	35115	21,823	20000	2446	2291	2180	2091	2002	1935			
					30000	2135	2002	1913	1824	1757	1690			
					40000	1935	1824	1735	1646	1601	1535			
					60000	1690	1601	1512	1446	1379	1334			
					100000	1423	1334	1268	1223	1179	1134			
210	50mm	45mm	35115	23,189	20000	2446	2291	2180	2091	2002				
					30000	2135	2002	1913	1824	1757				
					40000	1935	1824	1735	1646	1601				
					60000	1690	1601	1512	1446	1379				
					100000	1423	1334	1268	1223	1179				
211	55mm	50mm	43394	29,305	20000	3007	2830	2688	2571					
					30000	2627	2472	2348	2246					
					40000	2387	2246	2134	2041					
					60000	2085	1962	1864	1783					
					100000	1759	1655	1572	1504					
212	60mm	55mm	52470	36,031	20000	3647	3425	3247						
					30000	3180	3002	2847						
					40000	2891	2713	2580						
					60000	2535	2380	2268						
					100000	2135	2002	1913						
214	70mm	65mm	62278	43,762	20000	4315	4070							
					30000	3781	3558							
					40000	3425	3225							
					60000	3002	2824							
					100000	2535	2380							
215	75mm	70mm	66180	49,411	20000	4604	4337							
					30000	4025	3781							
					40000	3647	3425							
					60000	3180	3002							
					100000	2691	2535							
216		75mm	77426	58,281	20000	5382								
					30000	4693								
					40000	4270								
					60000	3736								
					100000	3136								
218		85mm	95371	74,023	20000									
					30000									
					40000									
					60000									
					100000									

* Slight interference fit required when operating on the right of the heavy line or in the shaded area

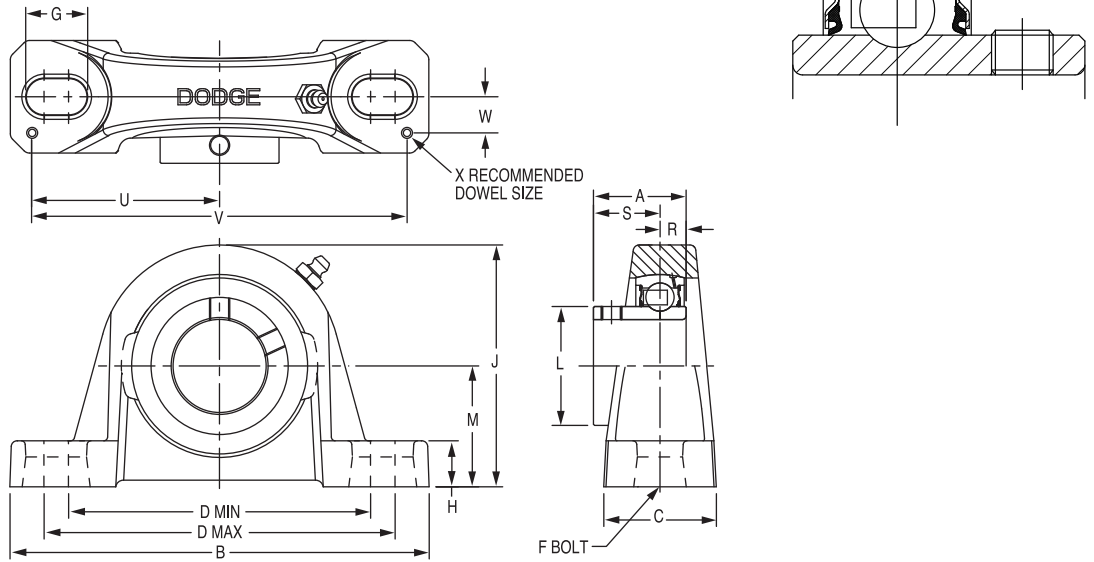
Note: Bearing analysis program "BEST" is available on www.ptwizard.com

FEATURES/BENEFITS PAGE B8-2	HOW TO ORDER/NOMENCLATURE PAGE B4-5	SELECTION/DIMENSIONS PAGE B8-8	ACCESSORIES PAGE B8-26
--------------------------------	--	-----------------------------------	---------------------------



SELECTION/DIMENSIONS

Setscrew VSC Ball Bearings VSC AND VSCU INTERMEDIATE DUTY PILLOW BLOCKS



Lube Fitting
203 series - 1/4-28 tapered thread
204 series and larger - 1/8-27 NPT

Series	Shaft Size	Standard		No-Lube/Sealed for Life (-NL)	
		Part No.	Description	Part No.	Description
203	1/2	125500	P2B-VSC-008	049887	P2B-VSC-008-NL
	5/8	125501	P2B-VSC-010	@	P2B-VSC-010-NL
	17mm	@	P2B-VSC-17M	@	P2B-VSC-17M-NL
203 (VSCU)	1/2	125513	P2B-VSCU-008	@	P2B-VSCU-008-NL
	5/8	125514	P2B-VSCU-010	@	P2B-VSCU-010-NL
	17mm	125685	P2B-VSCU-17M	@	P2B-VSCU-17M-NL
204	3/4	123580	P2B-VSC-012	054495	P2B-VSC-012-NL
	20mm	125686	P2B-VSC-20M	@	P2B-VSC-20M-NL
205	7/8	125502	P2B-VSC-014	@	P2B-VSC-014-NL
	15/16	125503	P2B-VSC-015	@	P2B-VSC-015-NL
	1	123581	P2B-VSC-100	123590	P2B-VSC-100-NL
	25mm	125687	P2B-VSC-25M	@	P2B-VSC-25M-NL
206	1-1/8	125504	P2B-VSC-102	@	P2B-VSC-102-NL
	1-3/16	123582	P2B-VSC-103	064691	P2B-VSC-103-NL
	1-1/4	123589	P2B-VSC-104S	@	P2B-VSC-104S-NL
	30mm	125751	P2B-VSC-30M	@	P2B-VSC-30M-NL
206 (VSCU)	1-1/8	125515	P2B-VSCU-102	@	P2B-VSCU-102-NL
	1-3/16	123604	P2B-VSCU-103	050845	P2B-VSCU-103-NL
	1-1/4	123606	P2B-VSCU-104S	@	P2B-VSCU-104S-NL
	30mm	125688	P2B-VSCU-30M	@	P2B-VSCU-30M-NL

@Assembled to order

FEATURES/BENEFITS PAGE B8-2	HOW TO ORDER/NOMENCLATURE PAGE B4-5	EASY SELECTION PAGE B8-3	ACCESSORIES PAGE B8-26
--------------------------------	--	-----------------------------	---------------------------

SELECTION/DIMENSIONS



Setscrew VSC Ball Bearings VSC AND VSCU INTERMEDIATE DUTY PILLOW BLOCKS

Eccentric Collar Ball Bearing

Setscrew VSC Ball Bearing

Eccentric SXV Collar Ball Bearing

Take-Up Frames

Engineering

Part Number Index

Keyword Index

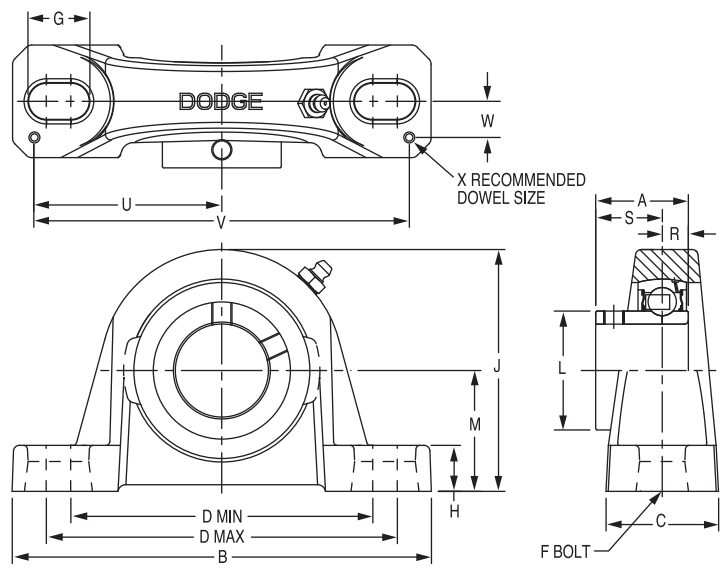
Series	Shaft Size	Weight lbs. kgs.	A	B	C	D		F Bolt Dia.	G	H	J	L	M	R	S	U	V	W	X	
						Min.	Max.													
203	1/2	1.1	1.00	5.00	1.20	3.25	4.06	3/8	0.84	0.47	2.14	0.96	1.06	0.36	0.64	2.25	4.50	0.38	0.12	
	5/8	1.0																		
	17mm	0.5	25.4	127.0	30.5	82.6	103.1	M10	21.3	11.9	54.4	24.4	26.9	9.1	16.3	57.2	114.3	9.7	3.0	
203 (VSCU)	1/2	1.2	1.00	5.00	1.20	3.25	4.06	3/8	0.84	0.59	2.27	0.96	1.19	0.36	0.64	2.25	4.50	0.38	0.12	
	5/8	1.1																		
	17mm	0.6	25.4	127.0	30.5	82.6	103.1	M10	21.3	15.0	57.7	24.4	30.2	9.1	16.3	57.2	114.3	9.7	3.0	
204	3/4	1.4	1.23	5.25	1.34	3.38	4.19	3/8	0.85	0.53	2.56	1.12	1.31	0.50	0.73	2.25	4.50	0.50	0.12	
	20mm	0.6	31.2	133.4	34.0	85.9	106.4	M10	21.6	13.5	65.0	28.4	33.3	12.7	18.5	57.2	114.3	12.7	3.0	
205	7/8	1.8	1.34	5.50	1.40	3.69	4.50	3/8	0.85	0.58	2.77	1.32	1.44	0.56	0.78	2.50	5.00	0.50	0.12	
	15/16	1.7																		
	1	1.6																		
205	25mm	0.8	34.0	139.7	35.6	93.7	114.3	M10	21.6	14.7	70.4	33.5	36.6	14.2	19.8	63.5	127.0	12.7	3.0	
	1-1/8	2.7	1.52	6.25	1.75	4.25	5.00	1/2	0.94	0.68	3.25	1.57	1.63	0.58	0.94	2.88	5.76	0.56	0.12	
	1-3/16	2.6																		
206	1-1/4	2.5																		
	30mm	1.2	38.6	158.8	44.5	108.0	127.0	M12	23.9	17.3	82.6	39.9	41.4	14.7	23.9	73.2	146.3	14.2	3.0	
	1-1/8	2.8	1-19/64	6-1/4	1-47/64	4-1/4	5	1/2	15/16	3/4	3-5/16	1-37/64	1-11/16	25/64	29/32	2-7/8	5-3/4	9/163	3/16	
206 (VSCU)	1-3/16	2.7																		
	1-1/4	2.6																		
	30mm	1.3	32.9	158.8	44.1	108.0	127.0	M12	23.8	19.1	84.1	40.1	42.9	9.9	23.0	73.0	146.1	14.3	4.8	

FEATURES/BENEFITS PAGE B8-2	HOW TO ORDER/NOMENCLATURE PAGE B4-5	EASY SELECTION PAGE B8-3	ACCESSORIES PAGE B8-26
--------------------------------	--	-----------------------------	---------------------------

SELECTION/DIMENSIONS



Setscrew VSC Ball Bearings VSC AND VSCU INTERMEDIATE DUTY PILLOW BLOCKS



Lube Fitting
203 series - 1/4-28 tapered thread
204 series and larger - 1/8-27 NPT

Series	Shaft Size	Standard		No-Lube/Sealed for Life (-NL)	
		Part No.	Description	Part No.	Description
207	1-1/4	123583	P2B-VSC-104	051889	P2B-VSC-104-NL
	1-3/8	125505	P2B-VSC-106	@	P2B-VSC-106-NL
	1-7/16	123584	P2B-VSC-107	050838	P2B-VSC-107-NL
	35mm	125689	P2B-VSC-35M	067664	P2B-VSC-35M-NL
208	1-1/2	123585	P2B-VSC-108	051890	P2B-VSC-108-NL
	40mm	@	P2B-VSC-40M	@	P2B-VSC-40M-NL
209	1-11/16	125506	P2B-VSC-111	@	P2B-VSC-111-NL
	1-3/4	124933	P2B-VSC-112	@	P2B-VSC-112-NL
	45mm	125691	P2B-VSC-45M	@	P2B-VSC-45M-NL
210	1-15/16	123586	P2B-VSC-115	053662	P2B-VSC-115-NL
	2	123587	P2B-VSC-200	@	P2B-VSC-200-NL
	50mm	125692	P2B-VSC-50M	@	P2B-VSC-50M-NL
211	2	123593	P2B-VSC-200L	049784	P2B-VSC-200L-NL
	2-3/16	123588	P2B-VSC-203	@	P2B-VSC-203-NL
	55mm	125693	P2B-VSC-55M	@	P2B-VSC-55M-NL

@Assembled to order

FEATURES/BENEFITS PAGE B8-2	HOW TO ORDER/NOMENCLATURE PAGE B4-5	EASY SELECTION PAGE B8-3	ACCESSORIES PAGE B8-26
--------------------------------	--	-----------------------------	---------------------------

SELECTION/DIMENSIONS



Setscrew VSC Ball Bearings VSC AND VSCU INTERMEDIATE DUTY PILLOW BLOCKS

Eccentric Collar Ball Bearing

Setscrew VSC Ball Bearing

Eccentric SXV Collar Ball Bearing

Take-Up Frames

Engineering

Part Number Index

Keyword Index

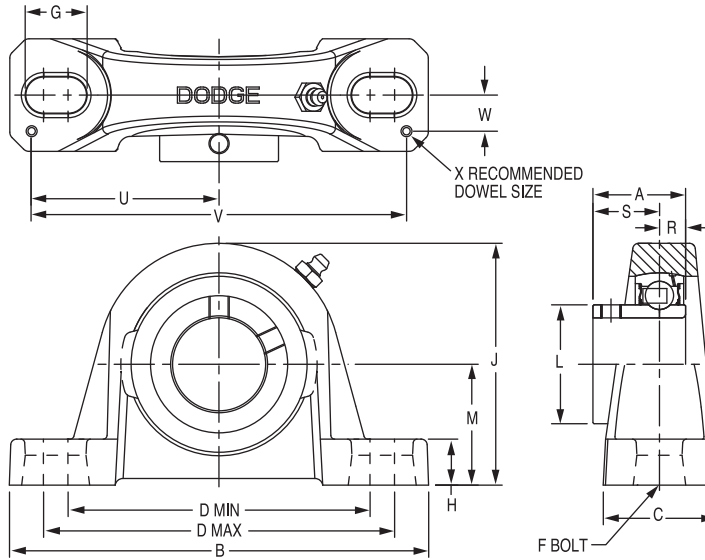
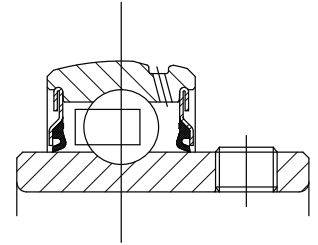
Series	Shaft Size	Weight lbs. kgs.	A	B	C	D		F Bolt Dia.	G	H	J	L	M	R	S	U	V	W	X	
						Min.	Max.													
207	1-1/4	4.5	1.71	6.50	1.75	4.68	5.44	1/2	0.94	0.71	3.75	1.84	1.88	0.67	1.04	2.91	5.82	0.56	0.12	
	1-3/8	4.3																		
	1-7/16 35mm	4.2 2.0	43.4	165.1	44.5	118.9	138.2	M12	23.9	18.0	95.3	46.7	47.8	17.0	26.4	73.9	147.8	14.2	3.0	
208	1-1/2	5.4	1.94	7.25	1.93	5.18	5.88	1/2	0.91	0.93	4.19	2.05	2.13	0.75	1.19	3.26	6.52	0.69	0.12	
	40mm	2.5	49.3	184.2	49.0	131.6	149.4	M12	23.1	23.6	106.4	52.1	54.1	19.1	30.2	82.8	165.6	17.5	3.0	
209	1-11/16	6.4	1.94	7.44	2.00	5.50	6.19	1/2	0.90	0.75	4.28	2.22	2.13	0.75	1.19	3.38	6.76	0.69	0.12	
	1-3/4 45mm	6.2 3.0	49.3	189.0	50.8	139.7	157.2	M12	22.9	19.1	108.7	56.4	54.1	19.1	30.2	85.9	171.7	17.5	3.0	
210	1-15/16	7.2	1.94	8.12	2.25	6.00	6.68	5/8	1.02	0.75	4.53	2.43	2.25	0.75	1.19	3.69	7.38	0.81	0.12	
	2 50mm	7.0 3.3	49.3	206.2	57.2	152.4	169.7	M16	25.9	19.1	115.1	61.7	57.2	19.1	30.2	93.7	187.5	20.6	3.0	
211	2	9.0	2.22	8.88	2.30	6.38	7.44	5/8	1.21	0.88	4.96	2.71	2.50	0.87	1.35	3.94	7.88	0.81	0.12	
	2-3/16 55mm	8.9 4.2	56.4	225.6	58.4	162.1	189.0	M16	30.7	22.4	126.0	68.8	63.5	22.1	34.3	100.1	200.2	20.6	3.0	

FEATURES/BENEFITS PAGE B8-2	HOW TO ORDER/NOMENCLATURE PAGE B4-5	EASY SELECTION PAGE B8-3	ACCESSORIES PAGE B8-26
--------------------------------	--	-----------------------------	---------------------------



SELECTION/DIMENSIONS

Setscrew VSC Ball Bearings VSCB INTERMEDIATE DUTY PILLOW BLOCKS



Lube Fitting
203 series - 1/4-28 tapered thread
204 series and larger - 1/8-27 NPT

Series	Shaft Size	Standard		No-Lube/Sealed for Life (-NL)	
		Part No.	Description	Part No.	Description
203 (VSC)	1/2	125500	P2B-VSCB-008	@	P2B-VSCB-008-NL
	5/8	125501	P2B-VSCB-010	@	P2B-VSCB-010-NL
	17mm	@	P2B-VSCB-17M	@	P2B-VSCB-17M-NL
204	3/4	123595	P2B-VSCB-012	050833	P2B-VSCB-012-NL
	20mm	@	P2B-VSCB-20M	@	P2B-VSCB-20M-NL
205	7/8	125508	P2B-VSCB-014	@	P2B-VSCB-014-NL
	15/16	125509	P2B-VSCB-015	@	P2B-VSCB-015-NL
	1	123596	P2B-VSCB-100	050828	P2B-VSCB-100-NL
	25mm	@	P2B-VSCB-25M	@	P2B-VSCB-25M-NL
206	1-1/8	125510	P2B-VSCB-102	@	P2B-VSCB-102-NL
	1-3/16	123597	P2B-VSCB-103	050829	P2B-VSCB-103-NL
	1-1/4	123605	P2B-VSCB-104S	@	P2B-VSCB-104S-NL
	30mm	@	P2B-VSCB-30M	@	P2B-VSCB-30M-NL
207	1-1/4	123598	P2B-VSCB-104	@	P2B-VSCB-104-NL
	1-3/8	125511	P2B-VSCB-106	@	P2B-VSCB-106-NL
	1-7/16	123599	P2B-VSCB-107	050830	P2B-VSCB-107-NL
208	35mm	@	P2B-VSCB-35M	@	P2B-VSCB-35M-NL
	1-1/2	123600	P2B-VSCB-108	@	P2B-VSCB-108-NL
209	40mm	125690	P2B-VSCB-40M	@	P2B-VSCB-40M-NL
	1-11/16	125512	P2B-VSCB-111	050848	P2B-VSCB-111-NL
	1-3/4	125507	P2B-VSCB-112	@	P2B-VSCB-112-NL
210	45mm	@	P2B-VSCB-45M	068428	P2B-VSCB-45M-NL
	1-15/16	123601	P2B-VSCB-115	@	P2B-VSCB-115-NL
	2	123602	P2B-VSCB-200	@	P2B-VSCB-200-NL
211	50mm	@	P2B-VSCB-50M	@	P2B-VSCB-50M-NL
	2	123607	P2B-VSCB-200L	@	P2B-VSCB-200L-NL
	2-3/16	123603	P2B-VSCB-203	050831	P2B-VSCB-203-NL
	55mm	@	P2B-VSCB-55M	@	P2B-VSCB-55M-NL

@ Assembled to order

FEATURES/BENEFITS PAGE B8-2	HOW TO ORDER/NOMENCLATURE PAGE B4-5	EASY SELECTION PAGE B8-3	ACCESSORIES PAGE B8-26
--------------------------------	--	-----------------------------	---------------------------

SELECTION/DIMENSIONS



Setscrew VSC Ball Bearings VSCB INTERMEDIATE DUTY PILLOW BLOCKS

Eccentric Collar Ball Bearing

Setscrew VSC Ball Bearing

Eccentric SXV Collar Ball Bearing

Take-Up Frames

Engineering

Part Number Index

Keyword Index

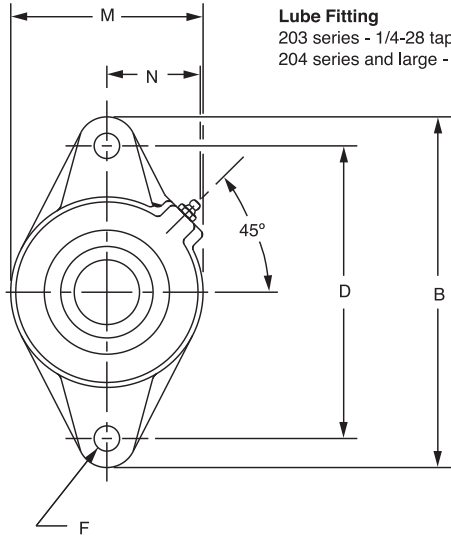
Series	Shaft Size	Weight lbs. kgs.	A	B	C	D		F Bolt Dia.	G	H	J	L	M	R	S	U	V	W	X
						Min.	Max.												
203 (VSC)	1/2	1.1	1.00	5.00	1.20	3.25	4.06	3/8	0.84	0.47	2.14	0.96	1.06	0.36	0.64	2.25	4.50	0.38	0.12
	5/8	1.0																	
	17mm	0.5	25.4	127.0	30.5	82.6	103.1	M10	21.3	11.9	54.4	24.4	26.9	9.1	16.3	57.2	114.3	9.7	3.0
204	3/4	1.4	1.23	5.25	1.34	3.38	4.19	3/8	0.85	0.47	2.49	1.12	1.25	0.50	0.73	2.25	4.50	0.50	0.12
	20mm	0.6	31.2	133.4	34.0	85.9	106.4	M10	21.6	11.9	63.2	28.4	31.8	12.7	18.5	57.2	114.3	12.7	3.0
205	7/8	1.8	1.34	5.50	1.40	3.69	4.50	3/8	0.85	0.45	2.64	1.32	1.31	0.56	0.78	2.50	5.00	0.50	0.12
	15/16	1.7																	
	1	1.6																	
206	25mm	0.8	34.0	139.7	35.6	93.7	114.3	M10	21.6	11.4	67.1	33.5	33.3	14.2	19.8	63.5	127.0	12.7	3.0
	1-1/8	2.7	1.52	6.25	1.75	4.25	5.00	1/2	0.94	0.62	3.19	1.57	1.56	0.58	0.94	2.88	5.76	0.56	0.12
	1-3/16	2.6																	
207	1-1/4	2.5																	
	30mm	1.2	38.6	158.8	44.5	108.0	127.0	M12	23.9	15.8	81.0	39.9	39.6	14.7	23.9	73.2	146.3	14.2	3.0
	1-1/4	4.5	1.71	6.50	1.75	4.68	5.44	1/2	0.94	0.65	3.69	1.84	1.81	0.67	1.04	2.91	5.82	0.56	0.12
208	1-3/8	4.3																	
	1-7/16	4.2																	
	35mm	2.0	43.4	165.1	44.5	118.9	138.2	M12	23.9	16.5	93.7	46.7	46.0	17.0	26.4	73.9	147.8	14.2	3.0
209	1-1/2	5.4	1.94	7.25	1.93	5.18	5.88	1/2	0.91	0.75	4.00	2.05	1.94	0.75	1.19	3.26	6.52	0.69	0.12
	40mm	2.5	49.3	184.2	49.0	131.6	149.4	M12	23.1	19.1	101.6	52.1	49.3	19.1	30.2	82.8	165.6	17.5	3.0
210	1-11/16	6.4	1.94	7.44	2.00	5.50	6.19	1/2	0.90	0.69	4.21	2.22	2.06	0.75	1.19	3.38	6.76	0.69	0.12
	1-3/4	6.2																	
	45mm	3.0	49.3	189.0	50.8	139.7	157.2	M12	22.9	17.5	106.9	56.4	52.3	19.1	30.2	85.9	171.7	17.5	3.0
211	1-15/16	7.2	1.94	8.12	2.25	6.00	6.68	5/8	1.02	0.68	4.47	2.43	2.19	0.75	1.19	3.69	7.38	0.81	0.12
	2	7.0																	
	50mm	3.3	49.3	206.2	57.2	152.4	169.7	M16	25.9	17.3	113.5	61.7	55.6	19.1	30.2	93.7	187.5	20.6	3.0
211	2	9.0	2.22	8.88	2.30	6.38	7.44	5/8	1.21	0.81	4.90	2.71	2.44	0.87	1.35	3.94	7.88	0.81	0.12
	2-3/16	8.9																	
	55mm	4.2	56.4	225.6	58.4	162.1	189.0	M16	30.7	20.6	124.5	68.8	62.0	22.1	34.3	100.1	200.2	20.6	3.0

FEATURES/BENEFITS PAGE B8-2	HOW TO ORDER/NOMENCLATURE PAGE B4-5	EASY SELECTION PAGE B8-3	ACCESSORIES PAGE B8-26
--------------------------------	--	-----------------------------	---------------------------

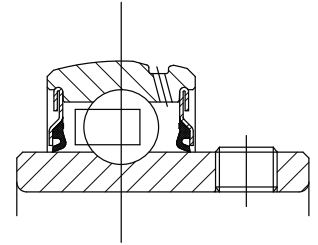
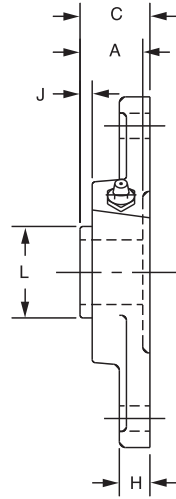


SELECTION/DIMENSIONS

Setscrew VSC Ball Bearings VSC INTERMEDIATE DUTY 2-BOLT FLANGE BEARINGS



Lube Fitting
203 series - 1/4-28 tapered thread
204 series and large - 1/8-27 NPT



Series	Shaft Size	Standard		No-Lube/Sealed for Life (-NL)	
		Part No.	Description	Part No.	Description
203	1/2	125516	F2B-VSC-008	@	F2B-VSC-008-NL
	5/8	125517	F2B-VSC-010	@	F2B-VSC-010-NL
	17mm	125703	F2B-VSC-17M	@	F2B-VSC-17M-NL
204	3/4	123610	F2B-VSC-012	057854	F2B-VSC-012-NL
	20mm	125704	F2B-VSC-20M	@	F2B-VSC-20M-NL
205	7/8	125518	F2B-VSC-014	@	F2B-VSC-014-NL
	15/16	125519	F2B-VSC-015	@	F2B-VSC-015-NL
	1	123611	F2B-VSC-100	050778	F2B-VSC-100-NL
206	25mm	125705	F2B-VSC-25M	@	F2B-VSC-25M-NL
	1-1/8	125520	F2B-VSC-102	@	F2B-VSC-102-NL
	1-3/16	123612	F2B-VSC-103	050840	F2B-VSC-103-NL
	1-1/4	123618	F2B-VSC-104S	051888	F2B-VSC-104S-NL
207	30mm	125752	F2B-VSC-30M	@	F2B-VSC-30M-NL
	1-1/4	123613	F2B-VSC-104	@	F2B-VSC-104-NL
	1-3/8	125521	F2B-VSC-106	049468	F2B-VSC-106-NL
	1-7/16	123614	F2B-VSC-107	051699	F2B-VSC-107-NL
208	35mm	125706	F2B-VSC-35M	@	F2B-VSC-35M-NL
	1-1/2	123615	F2B-VSC-108	@	F2B-VSC-108-NL
	40mm	125707	F2B-VSC-40M	@	F2B-VSC-40M-NL
209	1-11/16	125522	F2B-VSC-111	050842	F2B-VSC-111-NL
	1-3/4	125523	F2B-VSC-112	049892	F2B-VSC-112-NL
	45mm	125708	F2B-VSC-45M	@	F2B-VSC-45M-NL
210	1-15/16	123616	F2B-VSC-115	059811	F2B-VSC-115-NL
	2	123617	F2B-VSC-200	068716	F2B-VSC-200-NL
	50mm	125709	F2B-VSC-50M	@	F2B-VSC-50M-NL
211	2	123694	F2B-VSC-200L	@	F2B-VSC-200L-NL
	2-3/16	123619	F2B-VSC-203	@	F2B-VSC-203-NL
	55mm	125710	F2B-VSC-55M	@	F2B-VSC-55M-NL

@Assembled to order

FEATURES/BENEFITS PAGE B8-2	HOW TO ORDER/NOMENCLATURE PAGE B4-5	EASY SELECTION PAGE B8-3	ACCESSORIES PAGE B8-26
--------------------------------	--	-----------------------------	---------------------------

Eccentric Collar Ball Bearings
 Setscrew VSC Ball Bearing
 Eccentric SXV Collar Ball Bearing
 Take-Up Frames
 Engineering
 Part Number Index
 Keyword Index

SELECTION/DIMENSIONS



Setscrew VSC Ball Bearings VSC INTERMEDIATE DUTY 2-BOLT FLANGE BEARINGS

Eccentric Collar Ball Bearing

Setscrew VSC Ball Bearing

Eccentric SXV Collar Ball Bearing

Series	Shaft Size	Weight lbs. kg.	A	B	C	D	F Bolt Dia.	H	J	L	M	N
203	1/2	0.8	1.00	3.88	1.17	3.00	3/8	0.38	0.32	0.96	2.13	1.13
	5/8	0.7										
	17mm	0.36	25.4	98.6	29.7	76.2	M10	9.7	8.1	24.4	54.1	28.7
204	3/4	1.4	1.23	4.41	1.34	3.53	3/8	0.50	0.36	1.12	2.38	1.50
	20mm	0.63	31.2	112.0	34.0	89.7	M10	12.7	9.1	28.4	60.5	38.1
205	7/8	1.6	1.34	4.88	1.37	3.89	7/16	0.52	0.42	1.32	2.75	1.44
	15/16	1.5										
	1	1.4										
206	25mm	0.67	34.0	124.0	34.8	98.8	M10	13.2	10.7	33.5	69.9	36.6
	1-1/8	2.2	1.52	5.56	1.56	4.59	7/16	0.50	0.49	1.57	3.13	1.56
	1-3/16	2.1										
207	1-1/4	2.0										
	30mm	0.94	38.6	141.2	39.6	116.6	M10	12.7	12.4	39.9	79.5	39.6
	1-1/4	3.5	1.71	6.13	1.75	5.12	1/2	0.56	0.53	1.84	3.75	1.84
208	1-3/8	3.3										
	1-7/16	3.2										
	35mm	1.43	43.4	155.7	44.5	130.0	M12	14.2	13.5	46.7	95.3	46.7
209	1-1/2	4.1	1.94	6.75	1.98	5.66	1/2	0.56	0.63	2.05	4.13	1.83
	40mm	1.83	49.3	171.5	50.3	143.8	M12	14.2	16.0	52.1	104.9	46.5
210	1-11/16	5.0	1.94	7.06	1.99	5.84	1/2	0.63	0.59	2.22	4.38	1.91
	1-3/4	4.9										
	45mm	2.23	49.3	179.3	50.5	148.3	M14	16.0	15.0	56.4	111.3	48.5
211	1-15/16	5.4	1.94	7.44	2.02	6.19	1/2	0.63	0.55	2.43	4.56	2.03
	2	5.2										
	50mm	2.41	49.3	189.0	51.3	157.2	M16	16.0	14.0	61.7	115.8	51.6
211	2	6.7	2.22	8.63	2.28	7.25	5/8	0.67	0.68	2.71	5.25	2.27
	2-3/16	6.5										
	55mm	2.99	56.4	219.2	57.9	184.2	M16	17.0	17.3	68.8	133.4	57.7

Take-Up Frames

Engineering

Part Number Index

Keyword Index

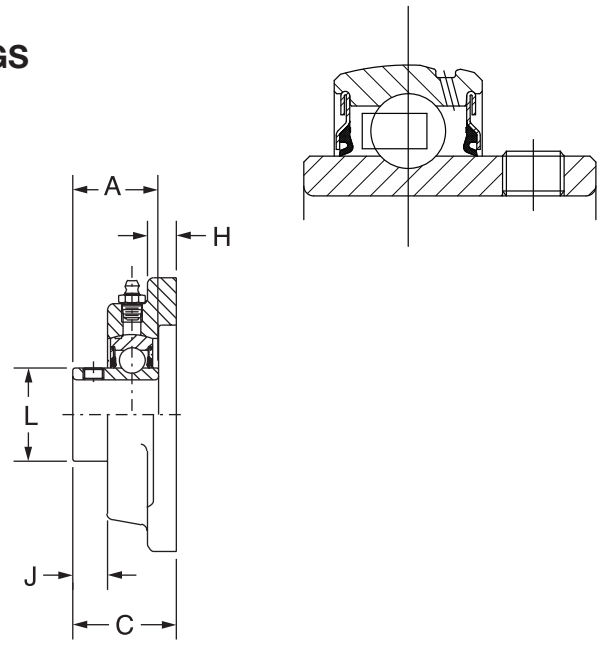
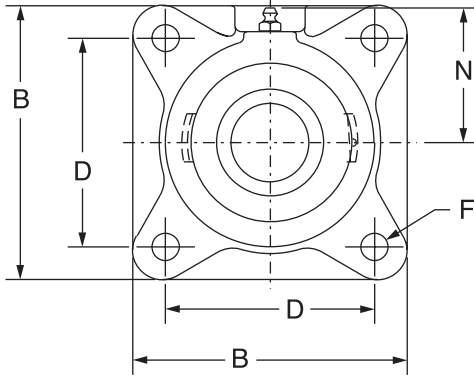
FEATURES/BENEFITS PAGE B8-2	HOW TO ORDER/NOMENCLATURE PAGE B4-5	EASY SELECTION PAGE B8-3	ACCESSORIES PAGE B8-26
--------------------------------	--	-----------------------------	---------------------------



SELECTION/DIMENSIONS

Setscrew VSC Ball Bearings VSC INTERMEDIATE DUTY 4-BOLT FLANGE BEARINGS

Lube Fitting Thread Size:
203 - 204 series - 1/4-28 tapered thread
207 - 207 series - 1/8-27 NPT



Series	Shaft Size	Standard		No-Lube/Sealed for Life (-NL)	
		Part No.	Description	Part No.	Description
203	1/2	125524	F4B-VSC-008	@	F4B-VSC-008-NL
	5/8	125525	F4B-VSC-010	@	F4B-VSC-010-NL
	17mm	125694	F4B-VSC-17M	@	F4B-VSC-17MNL
204	3/4	123625	F4B-VSC-012	@	F4B-VSC-012-NL
	20mm	125695	F4B-VSC-20M	@	F4B-VSC-20M-NL
205	7/8	125526	F4B-VSC-014	@	F4B-VSC-014-NL
	15/16	125527	F4B-VSC-015	@	F4B-VSC-015-NL
	1	123626	F4B-VSC-100	062509	F4B-VSC-100-NL
206	25mm	125696	F4B-VSC-25M	@	F4B-VSC-25M-NL
	1-1/8	125528	F4B-VSC-102	@	F4B-VSC-102-NL
	1-3/16	123627	F4B-VSC-103	@	F4B-VSC-103-NL
	1-1/4	123634	F4B-VSC-104S	@	F4B-VSC-104S-NL
207	30mm	125697	F4B-VSC-30M	@	F4B-VSC-30M-NL
	1-1/4	123628	F4B-VSC-104	051891	F4B-VSC-104-NL
	1-3/8	125529	F4B-VSC-106	@	F4B-VSC-106-NL
	1-7/16	123629	F4B-VSC-107	050844	F4B-VSC-107-NL
208	35mm	125698	F4B-VSC-40M	@	F4B-VSC-40M-NL
	1-1/2	123630	F4B-VSC-108	051892	F4B-VSC-108-NL
209	40mm	125699	F4B-VSC-40M	@	F4B-VSC-40M-NL
	1-11/16	125530	F4B-VSC-111	050836	F4B-VSC-111-NL
	1-3/4	125531	F4B-VSC-112	@	F4B-VSC-112-NL
210	45mm	125700	F4B-VSC-45M	@	F4B-VSC-45M-NL
	1-15/16	123631	F4B-VSC-115	@	F4B-VSC-115-NL
	2	123632	F4B-VSC-200	068716	F4B-VSC-200-NL
211	50mm	125701	F4B-VSC-50M	@	F4B-VSC-50M-NL
	2	123652	F4B-VSC-200L	@	F4B-VSC-200L-NL
	2-3/16	123633	F4B-VSC-203	068809	F4B-VSC-203-NL
	55mm	125702	F4B-VSC-55M	@	F4B-VSC-55M-NL

@Assembled to order

FEATURES/BENEFITS PAGE B8-2	HOW TO ORDER/NOMENCLATURE PAGE B4-5	EASY SELECTION PAGE B8-3	ACCESSORIES PAGE B8-26
--------------------------------	--	-----------------------------	---------------------------

SELECTION/DIMENSIONS



Setscrew VSC Ball Bearings VSC INTERMEDIATE DUTY 4-BOLT FLANGE BEARINGS

Eccentric Collar Ball Bearing

Setscrew VSC Ball Bearing

Eccentric SXV Collar Ball Bearing

Take-Up Frames

Engineering

Part Number Index

Keyword Index

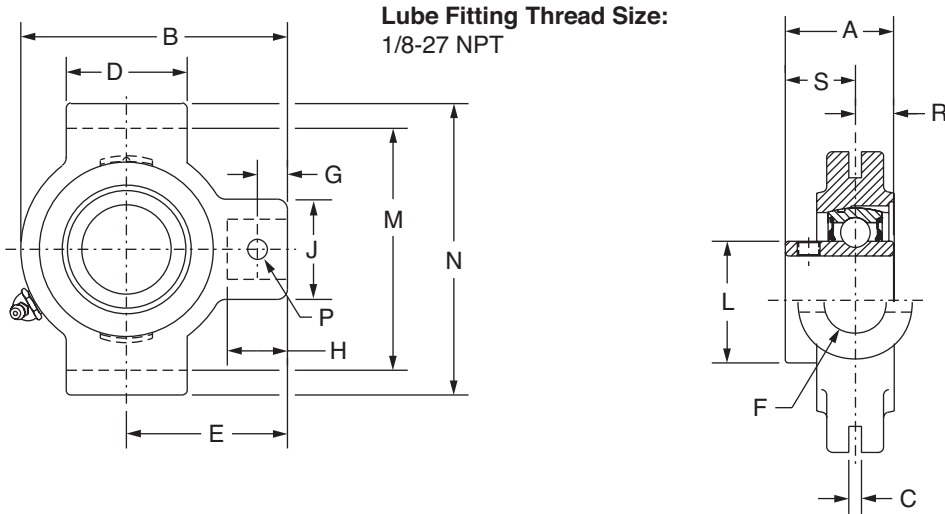
Series	Shaft Size	Weight lbs. kgs.	A	B	C	D	F Bolt Dia.	H	J	L	N
203	1/2	1.08	1.00	3.00	1.17	2.13	3/8	0.44	0.32	0.96	1.69
	5/8	1.00									
	17mm	0.48	25.4	76.2	29.7	54.1	M10	11.2	8.1	24.4	42.9
204	3/4	1.50	1.23	3.38	1.34	2.50	3/8	0.44	0.36	1.12	1.94
	20mm	0.67	31.2	85.9	34.0	63.5	M10	11.2	9.1	28.4	49.3
205	7/8	1.98	1.34	3.75	1.37	2.75	7/16	0.50	0.42	1.32	2.06
	15/16	1.86									
	1	1.62									
206	25mm	0.84	34.0	95.3	34.8	69.9	M10	12.7	10.7	33.5	52.3
	1-1/8	2.78	1.52	4.25	1.56	3.25	7/16	0.50	0.49	1.57	2.19
	1-3/16	2.68									
207	1-1/4	2.50									
	1-3/8	2.88	1.71	4.75	1.75	3.63	1/2	0.56	0.53	1.84	2.44
	1-7/16	2.50									
208	35mm	1.28	43.4	120.7	44.5	92.2	M12	14.2	13.5	46.7	62.0
	1-1/2	4.50	1.94	5.13	1.98	4.00	1/2	0.56	0.63	2.05	2.38
209	40mm	2.00	49.3	130.3	50.3	101.6	M12	14.2	16.0	52.1	60.5
	1-11/16	5.45	1.94	5.38	1.99	4.13	1/2	0.63	0.59	2.22	2.75
	1-3/4	5.35									
210	45mm	2.42	49.3	136.7	50.5	104.9	M12	16.0	15.0	56.4	69.9
	1-15/16	6.25	1.94	5.63	2.02	4.38	1/2	0.63	0.55	2.43	2.88
	2	6.00									
211	50mm	2.33	49.3	143.0	51.3	111.3	M12	16.0	14.0	61.7	73.2
	2	9.28	2.22	6.50	2.28	5.13	5/8	0.69	0.68	2.71	3.25
	2-3/16	9.00									
	55mm	4.12	56.4	165.1	57.9	130.3	M16	17.5	17.3	68.8	82.6

FEATURES/BENEFITS PAGE B8-2	HOW TO ORDER/NOMENCLATURE PAGE B4-5	EASY SELECTION PAGE B8-3	ACCESSORIES PAGE B8-26
--------------------------------	--	-----------------------------	---------------------------



SELECTION/DIMENSIONS

Setscrew VSC Ball Bearings VSC INTERMEDIATE DUTY NARROW SLOT TAKE-UP BEARINGS



Series	Shaft Size	Part No.	Description
204	3/4	125533	NSTU-VSC-012
	20mm	@	NSTU-VSC-20M
205	7/8	125534	NSTU-VSC-014
	15/16	125535	NSTU-VSC-015
	1	125536	NSTU-VSC-100
	25mm	@	NSTU-VSC-25M
206	1-1/8	125537	NSTU-VSC-102
	1-3/16	125538	NSTU-VSC-103
	1-1/4	125540	NSTU-VSC-104S
	30mm	@	NSTU-VSC-30M
207	1-1/4	125539	NSTU-VSC-104
	1-3/8	125541	NSTU-VSC-106
	1-7/16	123680	NSTU-VSC-107
	35mm	@	NSTU-VSC-35M
208	1-1/2	125542	NSTU-VSC-108
	40mm	@	NSTU-VSC-40M
209	1-11/16	125543	NSTU-VSC-111
	1-3/4	125544	NSTU-VSC-112
	45mm	@	NSTU-VSC-45M
210	1-15/16	125545	NSTU-VSC-115
	2	125546	NSTU-VSC-200
	50mm	@	NSTU-VSC-50M
211	2	125547	NSTU-VSC-200
	2-3/16	125548	NSTU-VSC-203
	55mm	@	NSTU-VSC-55M

@ Assembled to order

SELECTION/DIMENSIONS



Setscrew VSC Ball Bearings VSC INTERMEDIATE DUTY NARROW SLOT TAKE-UP BEARINGS

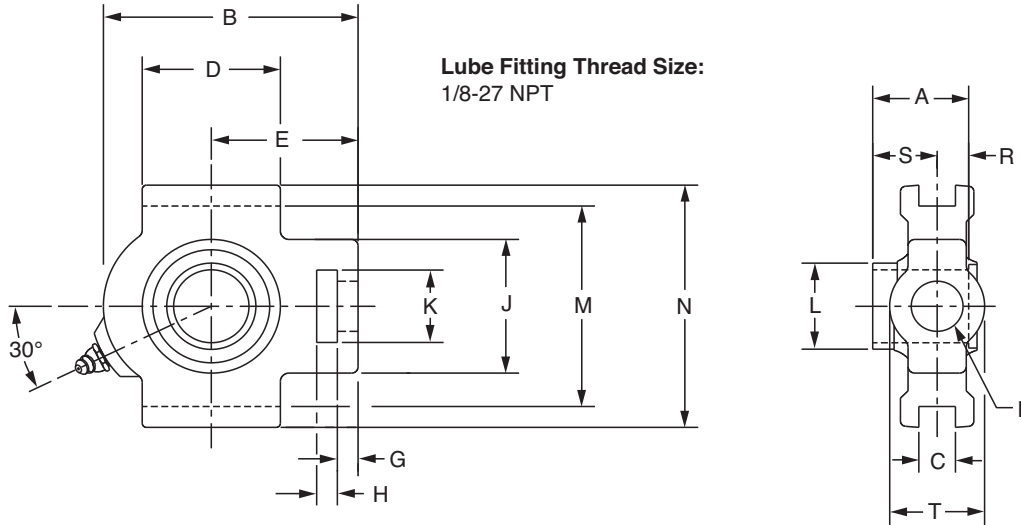
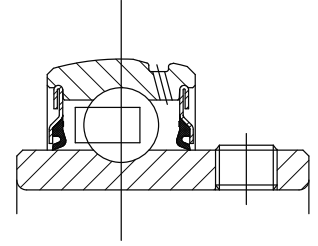
Series	Shaft Size	Weight lbs. kgs.	Take-Up Frame No. Ref.	A	B	C	D	E	F Screw Dia.	G	H	J	L	M	N	P Pin Dia.	R	S
204	3/4	1.25	NS210	1.23	3.50	0.250	1.50	2.19	3/4	0.44	0.88	1.38	1.12	2.635/2.605	3.13	0.32	0.50	0.73
	20mm	0.58		31.2	88.9	6.35	38.1	55.6	19.1	11.2	22.4	35.1	28.4	66.93/66.17	79.5	8.1	12.7	18.5
205	7/8	1.68	NS210	1.34	3.56	0.250	1.50	2.19	3/4	0.44	0.88	1.38	1.32	2.635/2.605	3.13	0.32	0.56	0.78
	15/16	1.58		34.0	90.4	6.35	38.1	55.6	19.1	11.2	22.4	35.1	33.5	66.93/66.17	79.5	8.1	14.2	19.8
	1	1.48		34.0	90.4	6.35	38.1	55.6	19.1	11.2	22.4	35.1	33.5	66.93/66.17	79.5	8.1	14.2	19.8
206	25mm	0.73	NS308	1.52	4.31	0.250	2.50	2.69	3/4	0.50	0.94	1.38	1.57	3.510/3.480	4.13	0.32	0.58	0.94
	1-1/8	2.78		38.6	109.5	6.35	63.5	68.3	19.1	12.7	23.9	35.1	39.9	89.15/88.39	104.9	8.1	14.7	23.9
	1-3/16	2.58		38.6	109.5	6.35	63.5	68.3	19.1	12.7	23.9	35.1	39.9	89.15/88.39	104.9	8.1	14.7	23.9
207	1-1/4	2.48	NS308	1.71	4.50	0.250	2.50	2.69	3/4	0.50	0.94	1.38	1.84	3.510/3.480	4.13	0.32	0.67	1.04
	30mm	1.19		43.4	114.3	6.35	63.5	68.3	19.1	12.7	23.9	35.1	46.7	89.15/88.39	104.9	8.1	17.0	26.4
	1-3/8	2.58		43.4	114.3	6.35	63.5	68.3	19.1	12.7	23.9	35.1	46.7	89.15/88.39	104.9	8.1	17.0	26.4
208	1-7/16	2.48	NS400	1.94	5.38	0.313	3.00	3.25	7/8	0.66	1.16	1.63	2.05	4.015/3.985	4.75	0.38	0.75	1.19
	35mm	1.19		49.3	136.7	7.95	76.2	82.6	22.2	16.8	29.5	41.4	52.1	101.98/101.22	120.7	9.7	19.1	30.2
209	1-1/2	4.68	NS400	1.94	5.44	0.313	3.00	3.25	7/8	0.72	1.22	1.63	2.22	4.015/3.985	4.75	0.38	0.75	1.19
	40mm	2.16		49.3	138.2	7.95	76.2	82.6	22.2	18.3	31.0	41.4	56.4	101.98/101.22	120.7	9.7	19.1	30.2
210	1-3/4	4.68	NS400	1.94	5.50	0.313	3.00	3.25	7/8	0.59	1.09	1.63	2.43	4.015/3.985	4.75	0.38	0.75	1.19
	45mm	2.20		49.3	139.7	7.95	76.2	82.6	22.2	15.0	27.7	41.4	61.7	101.98/101.22	120.7	9.7	19.1	30.2
211	1-15/16	4.88	NS400	2.22	6.13	0.313	3.50	3.63	1	0.69	1.28	1.75	2.71	4.448/4.418	5.38	0.44	0.87	1.35
	2	4.78		56.4	155.7	7.95	88.9	92.2	25.4	17.5	32.5	44.5	68.8	112.98/112.22	136.7	11.2	22.1	34.3
211	50mm	2.25	NS407	2.22	6.13	0.313	3.50	3.63	1	0.69	1.28	1.75	2.71	4.448/4.418	5.38	0.44	0.87	1.35
	2	6.78		56.4	155.7	7.95	88.9	92.2	25.4	17.5	32.5	44.5	68.8	112.98/112.22	136.7	11.2	22.1	34.3
211	2-3/16	6.58	NS407	56.4	155.7	7.95	88.9	92.2	25.4	17.5	32.5	44.5	68.8	112.98/112.22	136.7	11.2	22.1	34.3
	55mm	3.13		56.4	155.7	7.95	88.9	92.2	25.4	17.5	32.5	44.5	68.8	112.98/112.22	136.7	11.2	22.1	34.3

FEATURES/BENEFITS PAGE B8-2	HOW TO ORDER/NOMENCLATURE PAGE B4-5	EASY SELECTION PAGE B8-3	ACCESSORIES PAGE B8-26
--------------------------------	--	-----------------------------	---------------------------



SELECTION/DIMENSIONS

Setscrew VSC Ball Bearings VSC INTERMEDIATE DUTY WIDE SLOT TAKE-UP BEARINGS



Series	Shaft Size	Part No.	Description
204	3/4	125549	WSTU-VSC-012
	20mm	@	WSTU-VSC-20M
205	7/8	125550	WSTU-VSC-014
	15/16	125551	WSTU-VSC-015
	1	125552	WSTU-VSC-100
	25mm	@	WSTU-VSC-25M
206	1-1/8	125553	WSTU-VSC-102
	1-3/16	125554	WSTU-VSC-103
	1-1/4	125556	WSTU-VSC-104S
	30mm	@	WSTU-VSC-30M
207	1-1/4	125555	WSTU-VSC-104
	1-3/8	125557	WSTU-VSC-106
	1-7/16	125558	WSTU-VSC-107
	35mm	@	WSTU-VSC-35M

@ Assembled to order

FEATURES/BENEFITS PAGE B8-2	HOW TO ORDER/NOMENCLATURE PAGE B4-5	EASY SELECTION PAGE B8-3	ACCESSORIES PAGE B8-26
--------------------------------	--	-----------------------------	---------------------------

SELECTION/DIMENSIONS



Setscrew VSC Ball Bearings VSC INTERMEDIATE DUTY WIDE SLOT TAKE-UP BEARINGS

Eccentric Collar Ball Bearing

Setscrew VSC Ball Bearing

Eccentric SXV Collar Ball Bearing

Take-Up Frames

Engineering

Part Number Index

Keyword Index

Series	Shaft Size	Weight lbs. kg.	Take-Up Frame No. Ref.	A	B	C	D	E	F Screw Dia.	G
204	3/4	1.9	WS300	1.23	3.69	0.531	2.00	2.38	5/8	0.38
	20mm	0.87		31.2	93.7	13.49	50.8	60.5	15.9	9.7
205	7/8	2.2	WS300	1.34	3.81	0.531	2.00	2.44	5/8	0.38
	15/16	2.1		34.0	96.8	13.49	50.8	62.0	15.9	9.7
	1	2.0		25mm	0.96					
206	1-1/8	3.0	WS308	1.52	4.38	0.531	2.25	2.75	3/4	0.38
	1-3/16	2.9		38.6	111.3	13.49	57.2	69.9	19.1	9.7
	1-1/4	2.8		30mm	1.33					
207	1-1/4	3.8	WS308	1.71	4.87	0.531	2.50	3.06	3/4	0.50
	1-3/8	3.6		43.4	123.7	13.49	63.5	77.7	19.1	12.7
	1-7/16	3.5		35mm	1.65					

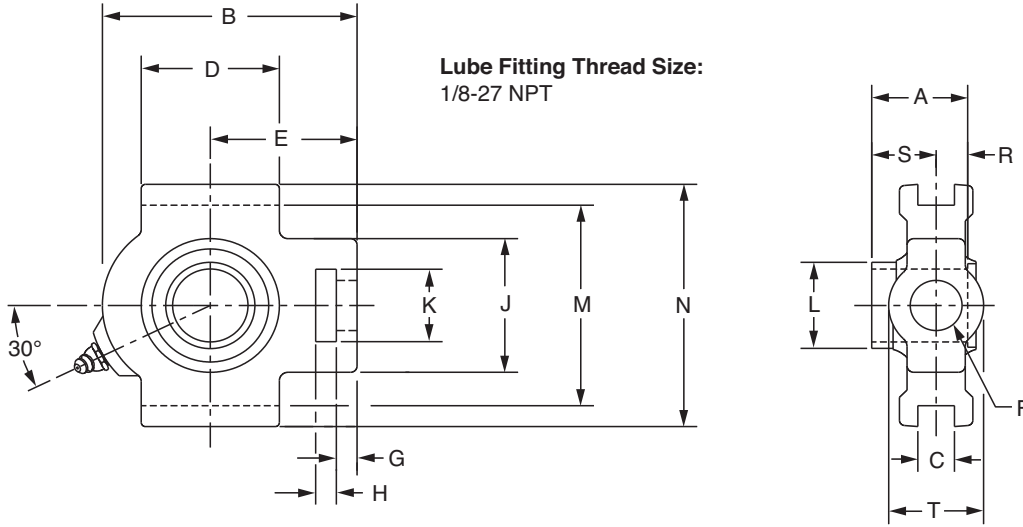
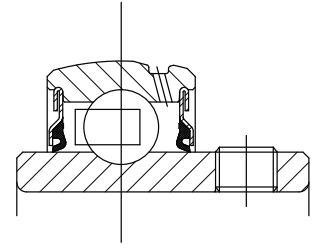
Series	Shaft Size	H	J	K	L	M	N	R	S	T
204	3/4	0.63	2.00	1.25	1.12	2.985/3.015	3.63	0.50	0.73	1.38
	20mm	16.0	50.8	31.8	28.4	75.82/76.58	92.2	12.7	18.5	35.1
205	7/8	0.63	2.00	1.31	1.32	2.985/3.015	3.63	0.56	0.78	1.38
	15/16									
	1	16.0	50.8	33.3	33.5	75.82/76.58	92.2	14.2	19.8	35.1
206	1-1/8	0.63	2.19	1.44	1.57	3.480/3.510	4.13	0.58	0.94	1.63
	1-3/16									
	1-1/4	16.0	55.6	36.6	39.9	88.39/89.15	104.9	14.7	23.9	41.3
207	1-1/4	0.63	2.50	1.44	1.84	3.480/3.510	4.13	0.67	1.04	1.63
	1-3/8									
	1-7/16	16.0	63.5	36.6	46.7	88.39/89.15	104.9	17.0	26.4	41.3

FEATURES/BENEFITS PAGE B8-2	HOW TO ORDER/NOMENCLATURE PAGE B4-5	EASY SELECTION PAGE B8-3	ACCESSORIES PAGE B8-26
--------------------------------	--	-----------------------------	---------------------------



SELECTION/DIMENSIONS

Setscrew VSC Ball Bearings VSC INTERMEDIATE DUTY WIDE SLOT TAKE-UP BEARINGS



Series	Shaft Size	Part No.	Description
208	1-1/2	125559	WSTU-VSC-108
	40mm	@	WSTU-VSC-40M
209	1-11/16	125560	WSTU-VSC-111
	1-3/4	125561	WSTU-VSC-112
210	45mm	@	WSTU-VSC-45M
	1-15/16	125562	WSTU-VSC-115
211	2	125563	WSTU-VSC-200
	50mm	@	WSTU-VSC-50M
211	2	125564	WSTU-VSC-200L
	2-3/16	125565	WSTU-VSC-203
	55mm	@	WSTU-VSC-55M

@ Assembled to order

SELECTION/DIMENSIONS



Setscrew VSC Ball Bearings VSC INTERMEDIATE DUTY WIDE SLOT TAKE-UP BEARINGS

Eccentric Collar Ball Bearing

Setscrew VSC Ball Bearing

Eccentric SXV Collar Ball Bearing

Take-Up Frames

Engineering

Part Number Index

Keyword Index

Series	Shaft Size	Weight lbs. kg.	Take-Up Frame No. Ref.	A	B	C	D	E	F Screw Dia.	G
208	1-1/2	6.1	WS400	1.94	5.69	0.688	3.25	3.50	1	0.63
	40mm	2.80		49.3	144.5	17.48	82.6	88.9	25.4	16.0
209	1-11/16	6.0	WS400	1.94	5.63	0.688	3.25	3.44	1	0.63
	1-3/4	5.9		49.3	143.0	17.48	82.6	87.4	25.4	16.0
210	1-15/16	6.4	WS400	1.94	5.82	0.688	3.38	3.56	1	0.63
	2	6.2		49.3	147.8	17.48	85.9	90.4	25.4	16.0
211	50mm	2.94	WS502	2.22	6.69	1.063	3.75	4.19	1-1/4	0.75
	2	10.1		56.4	169.9	27.00	95.3	106.4	31.8	19.1
211	2-3/16	10.0								
	55mm	4.65								

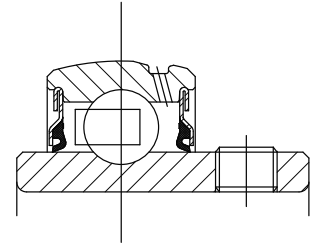
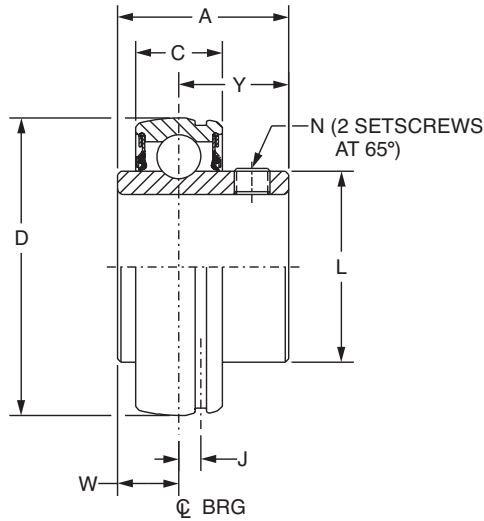
Series	Shaft Size	H	J	K	L	M	N	R	S	T
208	1-1/2	0.75	3.25	1.94	2.05	3.985/4.015	4.50	0.75	1.19	1.94
	40mm	19.1	82.6	49.3	52.1	101.22/101.98	114.3	19.1	30.2	49.3
209	1-11/16	0.75	3.25	1.94	2.22	3.985/4.015	4.75	0.75	1.19	1.94
	1-3/4	19.1	82.6	49.3	56.4	101.22/101.98	120.7	19.1	30.2	49.3
210	45mm	19.1	82.6	49.3	56.4	101.22/101.98	120.7	19.1	30.2	49.3
	1-15/16	0.75	3.25	1.94	2.43	3.985/4.015	4.75	0.75	1.19	1.94
210	2	19.1	82.6	49.3	61.7	101.22/101.98	120.7	19.1	30.2	49.3
	50mm	19.1	82.6	49.3	61.7	101.22/101.98	120.7	19.1	30.2	49.3
211	2	1.00	4.00	2.50	2.71	5.110/5.140	5.88	0.87	1.35	2.50
	2-3/16	25.4	101.6	63.5	68.8	129.79/130.56	149.4	22.1	34.3	63.5
211	55mm	25.4	101.6	63.5	68.8	129.79/130.56	149.4	22.1	34.3	63.5

FEATURES/BENEFITS PAGE B8-2	HOW TO ORDER/NOMENCLATURE PAGE B4-5	EASY SELECTION PAGE B8-3	ACCESSORIES PAGE B8-26
--------------------------------	--	-----------------------------	---------------------------



SELECTION/DIMENSIONS

Setscrew VSC Ball Bearings VSC INTERMEDIATE DUTY BEARING INSERTS



Series	Shaft Size	Part No.	Description
203	1/2	389923	INS-VSC-008
	5/8	389924	INS-VSC-010
	17mm	125636	INS-VSC-17M
204	3/4	389925	INS-VSC-012
	20mm	125637	INS-VSC-20M
205	7/8	389936	INS-VSC-014
	15/16	389937	INS-VSC-015
	1	389926	INS-VSC-100
	25mm	125638	INS-VSC-25M
206	1-1/8	389938	INS-VSC-102
	1-3/16	389927	INS-VSC-103
	1-1/4	389934	INS-VSC-104S
	30mm	123235	INS-VSC-30M
207	1-1/4	389928	INS-VSC-104
	1-3/8	389939	INS-VSC-106
	1-7/16	389929	INS-VSC-107
	35mm	125639	INS-VSC-35M
208	1-1/2	389930	INS-VSC-108
	40mm	125640	INS-VSC-40M
209	1-11/16	389940	INS-VSC-111
	1-3/4	389941	INS-VSC-112
	45mm	125641	INS-VSC-45M
210	1-15/16	389931	INS-VSC-115
	2	389932	INS-VSC-200
	50mm	125642	INS-VSC-50M
211	2	389935	INS-VSC-200L
	2-3/16	389933	INS-VSC-203
	55mm	125643	INS-VSC-55M

SELECTION/DIMENSIONS



Setscrew VSC Ball Bearings VSC INTERMEDIATE DUTY BEARING INSERTS

Series	Shaft Size	Weight lbs. kg.	A	C	D	J	L	N	W	Y
203	1/2	0.23	1.00	0.51	1.5748	0.15	0.96	10-32	0.36	0.64
	5/8	0.21								
	17mm	0.10	25.4	13.0	40.000	3.8	24.4	M5x0.8	9.1	16.3
204	3/4	0.25	1.23	0.58	1.8504	0.15	1.12	1/4-28	0.50	0.73
	20mm	0.11	31.2	14.7	47.000	3.8	28.4	M6x1	12.7	18.5
205	7/8	0.41	1.34	0.59	2.0472	0.16	1.32	1/4-28	0.56	0.78
	15/16	0.38								
	1 25mm	0.25 0.17	34.0	15.0	52.000	4.1	33.5	M6x1	14.2	19.8
206	1-1/8	0.61	1.52	0.69	2.4409	0.16	1.57	5/16-24	0.58	0.94
	1-3/16	0.58								
	1-1/4	0.56								
	30mm	0.25	38.6	17.5	62.000	4.1	39.9	M8x1.25	14.7	23.9
207	1-1/4	0.92	1.71	0.75	2.8346	0.20	1.84	5/16-24	0.67	1.04
	1-3/8	0.88								
	1-7/16	0.75								
	35mm	0.38	43.4	19.1	72.000	5.1	46.7	M8x1.25	17.0	26.4
208	1-1/2	1.20	1.94	0.87	3.1496	0.22	2.05	5/16-24	0.75	1.19
	40mm	0.52	49.3	22.1	80.000	5.6	52.1	M8x1.25	19.1	30.2
209	1-11/16	1.41	1.94	0.87	3.3465	0.25	2.22	5/16-24	0.75	1.19
	1-3/4	1.34								
	45mm	0.61	49.3	22.1	85.000	6.4	56.4	M8x1.25	19.1	30.2
210	1-15/16	1.46	1.94	0.87	3.5433	0.25	2.43	3/8-24	0.75	1.19
	2 50mm	1.37 0.63	49.3	22.1	90.000	6.4	61.7	M10x1.5	19.1	30.2
211	2	2.24	2.22	0.94	3.9370	0.25	2.71	3/8-24	0.87	1.35
	2-3/16 55mm	1.95 0.97	56.4	23.9	100.000	6.4	68.8	M10x1.5	22.1	34.3

FEATURES/BENEFITS PAGE B8-2	HOW TO ORDER/NOMENCLATURE PAGE B4-5	EASY SELECTION PAGE B8-3	ACCESSORIES PAGE B8-26
--------------------------------	--	-----------------------------	---------------------------



ACCESSORIES

Setscrew VSC Ball Bearings

LUBRICANTS

DODGE ball bearings are factory lubricated with a lithium complex base lubricant. For applications where extreme ambient temperatures or speeds are anticipated or environmental considerations require a different lubricant, DODGE has a wide variety of lubricants available. Special lubricant options usually require set-up charges and premiums.

SEALS

The PROGUARD PLUS seal is a highly effective positive contact, land riding seal with flingers pressed on to each side of the inner ring offering added protection from wash down or extreme contamination. For high speeds or where seal drag would be an impediment, an all metallic labyrinth seal is available.

AIR HANDLING

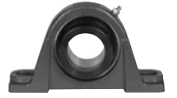
Industrial fans and blowers generally operate at high speeds with bearing requirements of long life and quiet operation. Dodge stocks SC, and SCM Air Handling Pillow Blocks and flange bearings that are specifically designed to meet the requirements of the air handling industry. These bearings are 100% noise tested, and have an air handling fit for long life and quiet operation. These bearings are recommended for fan and blower applications. Sizes and housing configurations not listed can be supplied on a made to order basis.

OTHER MODIFICATIONS

For applications requiring modifications not listed, we encourage you to contact our Customer Order Engineering Department at (864) 284-5700 or fax (864) 281-2317.

FEATURES/BENEFITS PAGE B8-2	HOW TO ORDER/NOMENCLATURE PAGE B4-5	EASY SELECTION PAGE B8-3	SELECTION/DIMENSIONS PAGE B8-8
--------------------------------	--	-----------------------------	-----------------------------------

CONTENTS



Eccentric SXV Collar Ball Bearings

Features / Benefits	B9-2
How to Order/Nomenclature	B7-5
Selection	B9-3
Selection/Dimensions	
Pillow Blocks	
SXV Intermediate Duty	B9-6
SLX Light Duty	B9-14
Flanges	
2-Bolt Flange	B9-16
3-Bolt Flange	B9-22
4-Bolt Flange	B9-24
Piloted Flange	B9-28
Take-Ups	
SXV Intermediate Duty	B9-30
Inserts	
SXV Intermediate Duty	B9-34
Modification/Accessories	B9-36
Related Products	
End Closures	B9-37
Part Number Index	INDEX-1
Key Word Index	KEYWORD-1

Eccentric Collar Ball Bearing

Setscrew YSC Ball Bearing

Eccentric SXV Collar Ball Bearing

Take-Up Frames

Engineering

Part Number Index

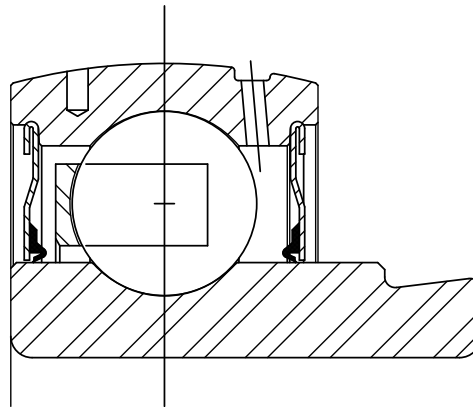
Keyword Index



FEATURES/BENEFITS

Eccentric SXV Collar

- Eccentric Locking Collar
- Narrow Inner Ring Design
- Fiberglass Reinforced Nylon Cage
- Grade 10 Balls
- Proguard Single Lip Seal
- No Groove in Housing for End Cover
- Multiple Housing Styles Available
P2B, F2B, F4B, WSTU, NSTU
- Bore Range
1/2" to 2-3/16"
20mm to 55mm



Eccentric Collar Ball Bearings

Setscrew WSC Ball Bearing

Eccentric SXV Collar Ball Bearing

Take-Up Frames

Engineering

Part Number Index

Keyword Index

Note: Instruction manuals and drawings for Dodge bearings are available on www.dodge-pt.com



Eccentric SXV Collar

Recommended Torque													
Setscrews					D-LOK			Mounting Bolts					
Setscrew Size	Key Hex Across Flats	◆ Recommended Torque			Cap Screw Size	Recom. Torque	EZ-KLEEN Recom. Torque	Metal Housings		EZ-KLEEN Housed Bearings			
		Standard Ball Bearing Insert		Corrosion Resistant Stainless Steel				Bolt Size	Recom. Dry Torque (Grade 2)	2-Bolt PB, 2 & 4 Bolt Fig. and Fig. Brackets		Tapped Base PB	
		Min	Max							Bolt Size	Torque ①	Bolt Size	Torque ②
(in.)	(in.)	(in.-lbs.)	(in.-lbs.)	(in.-lbs.)	(in.)	(in.-lbs.)	(in.-lbs.)	(in.)	(in.-lbs.)	(in.)	(in.-lbs.)	(in.)	(in. lbs.)
#10	3/32	28	33	25	#8-32	58	46	3/8-16	240	3/8-16	225	3/8-16	175
1/4	1/8	66	80	60	#10-32	90	72	7/16-14	384	7/16-14	350	7/16-14	350
5/16	5/32	126	156	117	1/4-28	180	144	1/2-13	600	1/2-13	500	1/2-13	400
3/8	3/16	228	275	206	5/16-24	400	320	5/8-11	1200	9/16-12	650		
7/16	7/32	342	428	321	3/8-24	750	600	3/4-10	1950	5/8-11	1000		
								7/8-9	2890				
(mm)	(mm)	(N-m)	(N-m)	(N-m)	(mm)	(N-m)	(N-m)	(mm)	(N-m)	(mm)	(N-m)	① Torque for Austenitic (18-8) Stainless ② Max. torque values published. Do not exceed	
M5	2.5	3.2	3.7	2.8	M4	585	4.68	M10	29	M8	15		
M6	3	6.2	7.7	5.8	M5	10.75	8.6	M12	50	M10	25		
M8	4	14.2	17.8	13.4	M6	20.5	16.4	M16	124	M12	50		
M10	5	26	31	23	M8	45	36	M20	238	M14	75		
M12	6	46	57	43				M22	322	M18	125		

Lubrication

High Speed Operation - In the higher speed ranges, too much grease will cause over-heating. The amount of grease that the bearing will take for a particular high speed application can only be determined by experience. If excess grease in the bearing causes overheating, it will be necessary to remove grease fitting to permit excess grease to escape. The bearing has been greased at the factory and is ready to run. When establishing a relubrication schedule, note that a small amount of grease at frequent intervals is preferable to a large amount at infrequent intervals.

◆ **NOTE:** Dodge does not recommend the use of oils or locking agents on setscrew threads. However, if utilized, the minimum installation torque values should be followed.

Lubrication Guide

Use a No. 2 Lithium complex base grease or equivalent*

Hours Run per Day	Suggested Lubrication Period in Weeks							
	1 to 250 RPM	251 to 500 RPM	501 to 750 RPM	751 to 1000 RPM	1001 to 1500 RPM	1501 to 2000 RPM	2001 to 2500 RPM	2501 to 3000 RPM
8	12	12	10	7	5	4	3	2
16	12	7	5	4	2	2	1	1
24	10	5	3	2	1	1	1	1

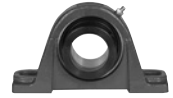
* For EZ-KLEEN series bearings, use an aluminum complex base grease.

Lubrication recommendations are intended for standard products applied in general operating conditions. For modified products, high temperature applications, and other anomalous applications contact product engineering at 864-284-5700.

Note: Bearing analysis program "BEST" is available on www.ptwizard.com

FEATURES/BENEFITS PAGE B9-2	HOW TO ORDER/NOMENCLATURE PAGE B7-5	SELECTION/DIMENSIONS PAGE B9-6	ACCESSORIES PAGE B9-36
--------------------------------	--	-----------------------------------	---------------------------

Eccentric Collar Ball Bearing
 Setscrew VSC Ball Bearing
 Eccentric SXV Collar Ball Bearing
 Take-Up Frames
 Engineering
 Part Number Index
 Keyword Index



SELECTION

Eccentric Collar Ball Bearings - Inch and Metric

Table 2: Easy Selection Table For Ball Bearing Mounted Units

RING SIZE	SHAFT SIZE SXV,	DYNAMIC CAPACITY (lbs)	STATIC CAPACITY Co (lbs)	L ₁₀ LIFE, HOURS	ALLOWABLE EQUIVALENT RADIAL LOAD RATING (LBS.) AT VARIOUS RPM*							
					50	150	250	500	750	1000	1500	1750
203	1/2 5/8 17mm	2,158	1079	20,000	550	380	320	255	225	205	175	170
				30,000	480	335	280	225	195	175	155	145
				40,000	440	305	255	205	160	140	135	
				60,000	380	265	225	175	155	140	125	115
				100,000	320	225	190	150	130	120	105	100
204	3/4 20mm	2,899	1482	20,000	740	515	435	345	300	275	240	225
				30,000	645	450	380	300	260	240	210	200
				40,000	590	410	345	275	240	215	190	180
				60,000	515	355	300	240	210	190	165	155
				100,000	435	300	255	200	175	160	140	130
205	7/8 15/16 1 25mm	3,146	1769	20,000	805	560	470	375	325	295	260	245
				30,000	705	485	410	325	285	260	225	215
				40,000	640	445	375	295	260	235	205	195
				60,000	560	385	325	260	225	205	180	170
				100,000	470	325	275	220	190	175	150	145
206	1-1/16 1-1/8 1-3/16 1-1/4 30mm	4,368	2538	20,000	1115	775	655	520	455	410	360	340
				30,000	975	675	570	455	395	360	315	300
				40,000	885	615	520	410	360	325	285	270
				60,000	775	535	455	360	315	285	250	235
				100,000	655	455	380	305	265	240	210	200
207	1-1/4 1-5/16 1-3/8 1-7/16 35mm	5,759	3461	20,000	1475	1020	860	685	595	545	475	450
				30,000	1285	890	755	595	520	475	415	395
				40,000	1170	810	685	545	475	430	375	355
				60,000	1020	710	595	475	415	375	330	310
				100,000	860	595	505	400	350	315	275	265
208	1-1/2 40mm	7,332	4475	20,000	1875	1300	1095	870	760	690	605	575
				30,000	1640	1135	960	760	665	605	525	500
				40,000	1490	1030	870	690	605	550	480	455
				60,000	1300	900	760	605	525	480	420	400
				100,000	1095	760	640	510	445	405	355	335
209	1-5/8 1-11/16 1-3/4 45mm	7,891	4906	20,000	2020	1400	1180	935	820	745	650	615
				30,000	1765	1225	1030	820	715	650	570	540
				40,000	1600	1110	935	745	650	590	515	490
				60,000	1400	970	820	650	570	515	450	430
				100,000	1180	820	690	550	480	435	380	360
210	1-15/16 2 50mm	7,891	5213	20,000	2020	1400	1180	935	820	745	650	615
				30,000	1765	1225	1030	820	715	650	570	540
				40,000	1600	1110	935	745	650	590	515	490
				60,000	1400	970	820	650	570	515	450	430
				100,000	1180	820	690	550	480	435	380	360
211	2-3/16 55mm	9,755	6588	20,000	2491	1727	1457	1156	1010	918	802	761
				30,000	2176	1509	1272	1010	882	802	700	665
				40,000	1977	1371	1156	918	802	728	636	604
				60,000	1727	1197	1010	802	700	636	556	528
				100,000	1457	1010	852	676	591	537	469	445
212	2-1/4 2-7/16	11,791	8100	20,000	3015	2090	1765	1400	1225	1110	970	925
				30,000	2635	1825	1540	1225	1070	970	880	805
				40,000	2395	1660	1400	1110	970	880	770	730
				60,000	2090	1450	1225	970	850	770	675	640
				100,000	1765	1225	1030	820	715	650	570	540
215	2-15/16	14,872	11108	20,000	3805	2640	225	1765	1545	1400	1225	1165
				30,000	3325	2305	1945	1545	1350	1225	1070	1015
				40,000	3020	2095	1765	1400	1225	1115	975	925
				60,000	2640	1830	1545	1225	1070	975	850	805
				100,000	2225	1545	1300	1035	905	820	715	680

* Slight interference fit required when operating in the shaded area

Note: Bearing analysis program "BEST" is available on www.ptwizard.com

FEATURES/BENEFITS PAGE B9-2	HOW TO ORDER/NOMENCLATURE PAGE B7-5	SELECTION/DIMENSIONS PAGE B9-6	ACCESSORIES PAGE B9-36
--------------------------------	--	-----------------------------------	---------------------------



SELECTION

Eccentric Collar Ball Bearings - Inch and Metric

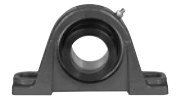
Table 2 (Continued): Easy Selection Table for Ball Bearing Mounted Units

RING SIZE	SHAFT SIZE SXR,SXV, SLX	DYNAMIC CAPACITY C (lbs)	STATIC CAPACITY Co (lbs)	L ₁₀ LIFE, HOURS	ALLOWABLE EQUIVALENT RADIAL LOAD RATING (LBS.) AT VARIOUS RPM*										
					2000	2500	3000	3500	4000	4500	5000	5500	6500	7500	
203	1/2 5/8 17mm	2,158	1079	20,000	160	150	140	135	130	125	120	115	110	105	
				30,000	140	130	125	115	110	105	100	105	100	95	90
				40,000	130	120	110	105	100	95	95	90	90	85	80
				60,000	110	105	95	95	90	85	80	80	75	75	70
				100,000	95	85	80	80	75	70	70	65	65	60	60
204	3/4 20mm	2,899	1482	20,000	215	200	190	180	170	165	160	155	145	140	
				30,000	190	175	165	155	150	145	140	135	130	120	
				40,000	170	160	150	145	135	130	125	125	115	110	
				60,000	150	140	130	125	120	115	110	105	100	95	
				100,000	125	115	110	105	100	90	95	90	85	80	
205	7/8 15/16 1 25mm	3,146	1769	20,000	235	220	205	195	185	180	175	170	160	150	
				30,000	205	190	180	170	165	155	150	145	140	130	
				40,000	185	175	165	155	150	140	135	135	125	120	
				60,000	165	150	140	135	130	125	120	115	110	105	
				100,000	135	125	120	115	110	105	100	100	95	90	
206	1-1/16 1-1/8 1-3/16 1-1/4 30mm	4,368	2538	20,000	325	305	285	270	260	250	240	235	220		
				30,000	285	265	250	235	225	220	210	205	195		
				40,000	260	240	225	215	205	200	190	185	175		
				60,000	225	210	200	190	180	175	165	160	155		
				100,000	190	175	165	160	150	145	140	135	130		
207	1-1/4 1-5/16 1-3/8 1-7/16 35mm	5,759	3461	20,000	430	400	375	355	340	330	315	305			
				30,000	375	350	330	310	300	285	275	270			
				40,000	340	315	300	285	275	260	250	245			
				60,000	300	275	260	250	235	230	220	215			
				100,000	250	235	220	210	200	190	185	180			
208	1-1/2 40mm	7,332	4475	20,000	550	510	480	455	435	420	405				
				30,000	480	445	420	400	380	365	355				
				40,000	435	405	380	360	345	330	320				
				60,000	380	355	330	315	300	290	280				
				100,000	320	300	280	265	255	245	235				
209	1-5/8 1-11/16 1-3/4 45mm	7,891	4906	20,000	590	550	515	490	470	450	435				
				30,000	515	480	450	430	410	395	380				
				40,000	470	435	410	390	370	360	345				
				60,000	410	380	360	340	325	310	300				
				100,000	345	320	300	285	275	265	255				
210	1-15/16 2 50mm	7,891	5213	20,000	590	550	515	490	470	450					
				30,000	515	480	450	430	410	395					
				40,000	470	435	410	390	370	360					
				60,000	410	380	360	340	325	310					
				100,000	345	320	300	285	275	265					
211	2-3/16 55mm	9,755	6588	20,000	729	676	636	604	578						
				30,000	636	591	556	528	505						
				40,000	578	537	505	480	459						
				60,000	505	469	441	419	401						
				100,000	426	395	372	353	338						
212	2-1/4 2-7/16	11,791	8100	20,000	880	820	770	730							
				30,000	770	715	675	640							
				40,000	700	650	610	580							
				60,000	610	570	535	510							
				100,000	515	480	450	430							
215	2-15/16	14,872	11108	20,000	1115	1035	975								
				30,000	975	905	850								
				40,000	885	820	770								
				60,000	770	715	675								
				100,000	650	605	570								

* Slight interference fit required when operating to the right of the heavy line

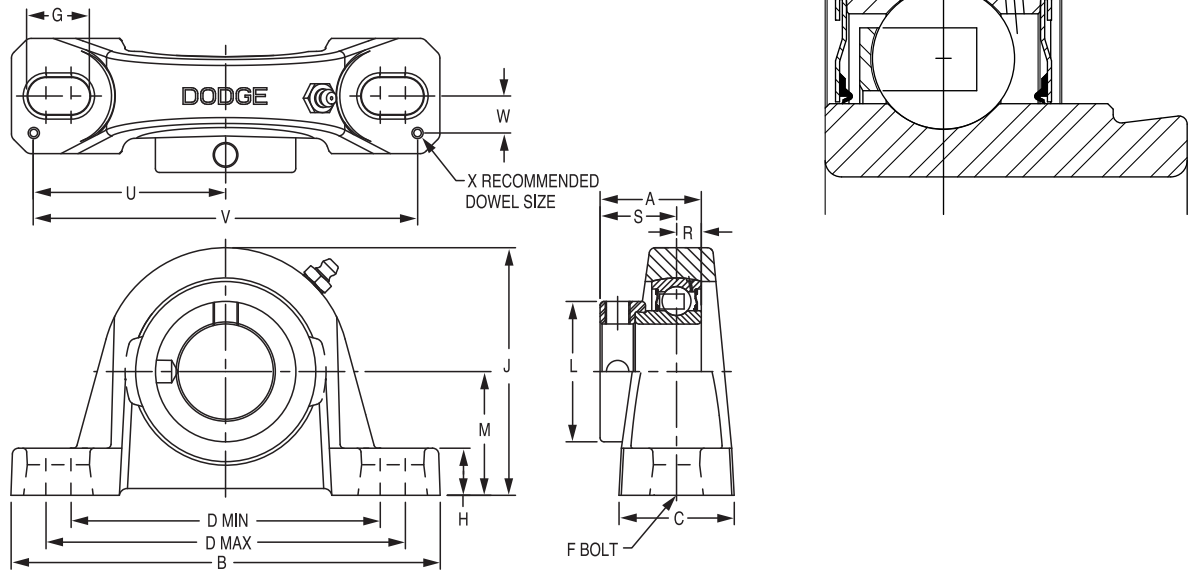
Note: Bearing analysis program "BEST" is available on www.ptwizd.com

FEATURES/BENEFITS PAGE B9-2	HOW TO ORDER/NOMENCLATURE PAGE B7-5	SELECTION/DIMENSIONS PAGE B9-6	ACCESSORIES PAGE B9-36
--------------------------------	--	-----------------------------------	---------------------------



SELECTION/DIMENSIONS

Eccentric SXV Collar Ball Bearings SXV AND SXVU INTERMEDIATE DUTY PILLOW BLOCKS

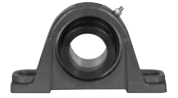


Series	Shaft Size	Standard		No Lube/Sealed for Life (-NL)	
		Part No.	Description	Part No.	Description
203	1/2	130310	P2B-SXV-008	130276	P2B-SXV-008-NL
	5/8	130311	P2B-SXV-010	@	P2B-SXV-010-NL
	17mm	@	P2B-SXV-17M	@	P2B-SXV-17M-NL
203 (SXVU)	1/2	130324	P2B-SXVU-008	@	P2B-SXVU-008-NL
	5/8	130325	P2B-SXVU-010	@	P2B-SXVU-010-NL
	17mm	125711	P2B-SXVU-17M	@	P2B-SXVU-17M-NL
204	3/4	131970	P2B-SXV-012	131589	P2B-SXV-012-NL
	20mm	125712	P2B-SXV-20M	@	P2B-SXV-20M-NL
205	7/8	131971	P2B-SXV-014	053047	P2B-SXV-014-NL
	15/16	131972	P2B-SXV-015	@	P2B-SXV-015-NL
	1	131973	P2B-SXV-100	131996	P2B-SXV-100-NL
	25mm	125713	P2B-SXV-25M	@	P2B-SXV-25M-NL
206	1-1/16	131974	P2B-SXV-101	@	P2B-SXV-101-NL
	1-1/8	131975	P2B-SXV-102	@	P2B-SXV-102-NL
	1-3/16	131976	P2B-SXV-103	@	P2B-SXV-103-NL
	1-1/4	131977	P2B-SXV-104S	@	P2B-SXV-104S-NL
	30mm	@	P2B-SXV-30M	@	P2B-SXV-30M-NL
206 (SXVU)	1-1/16	131082	P2B-SXVU-101	@	P2B-SXVU-101-NL
	1-1/8	131083	P2B-SXVU-102	@	P2B-SXVU-102-NL
	1-3/16	131084	P2B-SXVU-103	053008	P2B-SXVU-103-NL
	1-1/4	131085	P2B-SXVU-104S	053042	P2B-SXVU-104S-NL
	30mm	125714	P2B-SXVU-30M	@	P2B-SXVU-30M-NL
207	1-1/4	131978	P2B-SXV-104	@	P2B-SXV-104-NL
	1-5/16	131979	P2B-SXV-105	@	P2B-SXV-105-NL
	1-3/8	131980	P2B-SXV-106	@	P2B-SXV-106-NL
	1-7/16	131981	P2B-SXV-107	058275	P2B-SXV-107-NL
	35mm	125715	P2B-SXV-35M	@	P2B-SXV-35M-NL

@ Assembled to order

FEATURES/BENEFITS PAGE B9-2	SELECTION PAGE B9-6	HOW TO ORDER/NOMENCLATURE PAGE B7-5	MODIFICATIONS/ACCESSORIES PAGE B9-36
--------------------------------	------------------------	--	---

SELECTION/DIMENSIONS



Eccentric SXV Collar Ball Bearings SXV AND SXVU INTERMEDIATE DUTY PILLOW BLOCKS

Eccentric Collar Ball Bearing

Setscrew VSC Ball Bearing

Eccentric SXV Collar Ball Bearing

Series	Shaft Size	Weight lbs. kg.	A	B	C	D		F Bolt Dia.	G	H	J	L	M	R	S	U	V	W	X	
						min.	max.													
203	1/2	1.20	1.13	5.00	1.20	3.25	4.06	3/8	0.84	0.47	2.14	1.13	1.06	0.26	0.87	2.25	4.50	0.38	0.12	
	5/8	1.10																		
	17mm	0.50	28.7	127.0	30.5	82.6	103.1	M10	21.3	11.9	54.4	28.7	27.0	6.6	22.1	57.2	114.3	9.7	3.0	
203 (SXVU)	1/2	1.40	1.13	5.00	1.20	3.25	4.06	3/8	0.84	0.59	2.27	1.13	1.19	0.26	0.87	2.25	4.50	0.38	0.12	
	5/8	1.20																		
	17mm	0.60	28.7	127.0	30.5	82.6	103.1	M10	21.3	15.0	57.7	28.7	30.2	6.6	22.1	57.2	114.3	9.7	3.0	
204	3/4	1.40	1.22	5.25	1.34	3.38	4.19	3/8	0.85	0.53	2.56	1.31	1.31	0.30	0.92	2.25	4.50	0.50	0.12	
	20mm	0.60	31.0	133.4	34.0	85.9	106.4	M10	21.6	13.5	65.0	33.3	33.3	7.6	23.4	57.2	114.3	12.7	3.0	
205	7/8	1.90	1.22	5.50	1.40	3.69	4.50	3/8	0.85	0.58	2.77	1.50	1.44	0.30	0.92	2.50	5.00	0.50	0.12	
	15/16	1.80																		
	1	1.70																		
206	25mm	0.80	31.0	139.7	35.6	93.7	114.3	M10	21.6	14.7	70.4	38.1	36.5	7.6	23.4	63.5	127.0	12.7	3.0	
	1-1/16	2.90	1.41	6.25	1.75	4.25	5.00	1/2	0.94	0.68	3.25	1.75	1.63	0.35	1.05	2.88	5.76	0.56	0.12	
	1-1/8	2.80																		
	1-3/16	2.70																		
	1-1/4	2.60																		
206 (SXVU)	30mm	1.20	35.8	158.8	44.5	108.0	127.0	M12	23.9	17.3	82.6	44.5	41.3	8.9	26.7	73.2	146.3	14.2	3.0	
	1-1/16	3.00	1.41	6.25	1.75	4.25	5.00	1/2	0.94	0.75	3.31	1.75	1.69	0.35	1.05	2.88	5.76	0.56	0.12	
	1-1/8	2.90																		
	1-3/16	2.80																		
	1-1/4	2.70																		
207	30mm	1.20	35.8	158.8	44.5	108.0	127.0	M12	23.9	19.1	84.1	44.5	42.9	8.9	26.7	73.2	146.3	14.2	3.0	
	1-1/4	4.40	1.53	6.50	1.75	4.68	5.44	1/2	0.94	0.71	3.75	2.13	1.88	0.37	1.16	2.91	5.82	0.56	0.12	
	1-5/16	4.30																		
	1-3/8	4.30																		
	1-7/16	4.20																		
35mm	1.90	38.9	165.1	44.5	118.9	138.2	M12	23.9	18.0	95.3	54.1	47.6	9.4	29.5	73.9	147.8	14.2	3.0		

Take-Up Frames

Engineering

Part Number Index

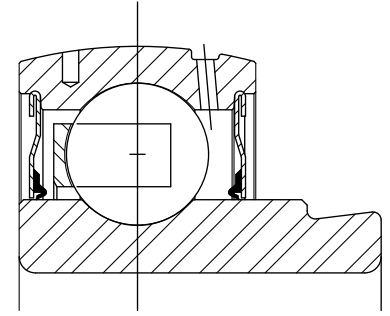
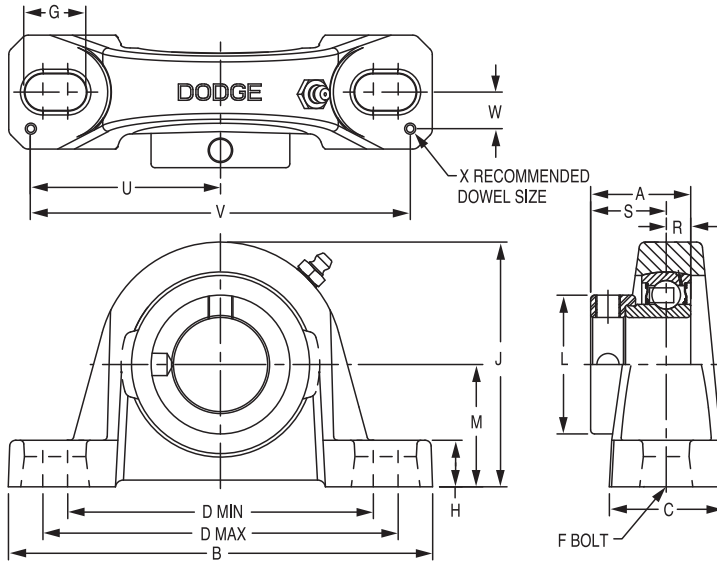
Keyword Index

FEATURES/BENEFITS PAGE B9-2	SELECTION PAGE B9-6	HOW TO ORDER/NOMENCLATURE PAGE B7-5	MODIFICATIONS/ACCESSORIES PAGE B9-36
--------------------------------	------------------------	--	---



SELECTION/DIMENSIONS

Eccentric SXV Collar Ball Bearings SXV AND SXVU INTERMEDIATE DUTY PILLOW BLOCKS



Series	Shaft Size	Standard		No Lube/Sealed for Life (-NL)	
		Part No.	Description	Part No.	Description
208	1-1/2	131982	P2B-SXV-108	@	P2B-SXV-108-NL
	40mm	@	P2B-SXV-40M	@	P2B-SXV-40M-NL
209	1-11/16	130312	P2B-SXV-111	@	P2B-SXV-111-NL
	1-3/4	130313	P2B-SXV-112	@	P2B-SXV-112-NL
	45mm	125717	P2B-SXV-45M	@	P2B-SXV-45M-NL
210	1-15/16	130314	P2B-SXV-115	@	P2B-SXV-115-NL
	2	130315	P2B-SXV-200	065636	P2B-SXV-200-NL
	50mm	125718	P2B-SXV-50M	@	P2B-SXV-50-NL
211	2	130316	P2B-SXV-200L	@	P2B-SXV-200L-NL
	2-3/16	130317	P2B-SXV-203	@	P2B-SXV-203-NL
	55mm	125719	P2B-SXV-55M	@	P2B-SXV-55M-NL

@ Assembled to order

SELECTION/DIMENSIONS



Eccentric SXV Collar Ball Bearings SXV AND SXVU INTERMEDIATE DUTY PILLOW BLOCKS

Eccentric Collar Ball Bearing

Setscrew YSC Ball Bearing

Eccentric SXV Collar Ball Bearing

Series	Shaft Size	Weight lbs. kg.	A	B	C	D		F Bolt Dia.	G	H	J	L	M	R	S	U	V	W	X
						min.	max.												
208	1-1/2	5.1	1.72	7.25	1.93	5.18	5.88	1/2	0.91	0.93	4.19	2.38	2.13	0.43	1.28	3.26	6.52	0.69	0.12
	40mm	2.3	43.6	184.2	49.0	131.6	149.4	M12	23.1	23.6	106.4	60.5	54.0	11.0	32.6	82.8	165.6	17.5	3.0
209	1-11/16	5.5	1.69	7.44	2.00	5.50	6.19	1/2	0.90	0.75	4.28	2.50	2.13	0.43	1.26	3.38	6.76	0.69	0.12
	1-3/4	5.4																	
	45mm	2.5	42.9	189.0	50.8	139.7	157.2	M12	22.9	19.1	108.7	63.5	54.0	10.9	32.0	85.9	171.7	17.5	3.0
210	1-15/16	5.8	1.72	8.12	2.25	6.00	6.68	5/8	1.02	0.75	4.53	2.50	2.25	0.43	1.29	3.69	7.38	0.81	0.12
	2	5.7																	
	50mm	2.6	43.6	206.2	57.2	152.4	169.7	M16	25.9	19.1	115.1	63.5	57.2	11.0	32.7	93.7	187.5	20.6	3.0
211	2	7.9	1.90	8.88	2.30	6.38	7.44	5/8	1.21	0.88	4.96	2.75	2.75	0.47	1.43	3.94	7.88	0.81	0.12
	2-3/16	7.6																	
	50mm	3.5	48.3	225.6	58.4	162.1	189.0	M16	30.7	22.4	126.0	69.9	69.9	12.0	36.4	100.1	200.2	20.6	3.0

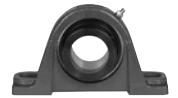
Take-Up Frames

Engineering

Part Number Index

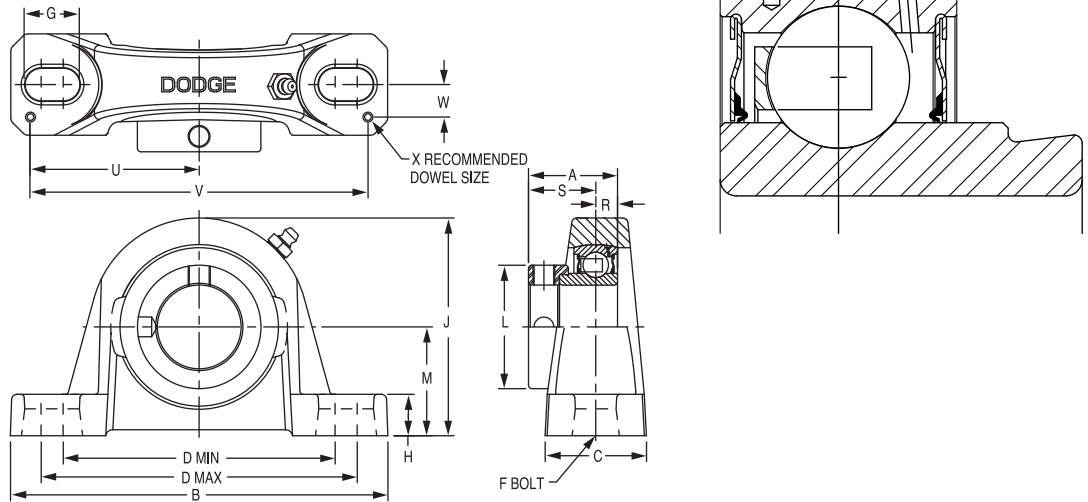
Keyword Index

FEATURES/BENEFITS PAGE B9-2	SELECTION PAGE B9-6	HOW TO ORDER/NOMENCLATURE PAGE B7-5	MODIFICATIONS/ACCESSORIES PAGE B9-36
--------------------------------	------------------------	--	---



SELECTION/DIMENSIONS

Eccentric SXV Collar Ball Bearings SXVB INTERMEDIATE DUTY PILLOW BLOCKS



Series	Shaft Size	Standard	
		Part No.	Description
203 (SXV)	1/2	130310	P2B-SXV-008
	5/8	130311	P2B-SXV-010
	17mm	@	P2B-SXV-17M
204	3/4	131983	P2B-SXVB-012
	20mm	@	P2B-SXVB-20M
205	7/8	131984	P2B-SXVB-014
	15/16	131985	P2B-SXVB-015
	1	131986	P2B-SXVB-100
	25mm	@	P2B-SXVB-25M
206	1-1/16	131987	P2B-SXVB-101
	1-1/8	131988	P2B-SXVB-102
	1-3/16	131989	P2B-SXVB-103
	1-1/4	131990	P2B-SXVB-104S
	30mm	056830	P2B-SXVB-30M
207	1-1/4	131991	P2B-SXVB-104
	1-5/16	131992	P2B-SXVB-105
	1-3/8	131993	P2B-SXVB-106
	1-7/16	131994	P2B-SXVB-107
	35mm	068864	P2B-SXVB-35M
208	1-1/2	131995	P2B-SXVB-108
	40mm	125716	P2B-SXVB-40M
209	1-11/16	130318	P2B-SXVB-111
	1-3/4	130319	P2B-SXVB-112
	45mm	@	P2B-SXVB-45M
210	1-15/16	130320	P2B-SXVB-115
	2	130321	P2B-SXVB-200
	50mm	@	P2B-SXVB-50M
211	2	130322	P2B-SXVB-200L
	2-3/16	130323	P2B-SXVB-203
	55mm	@	P2B-SXVB-55M

@ Assembled to order

SELECTION/DIMENSIONS

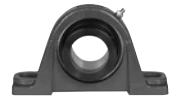


Eccentric SXV Collar Ball Bearings SXVB INTERMEDIATE DUTY PILLOW BLOCKS

Series	Shaft Size	Weight lbs. kg.	A	B	C	D		F Bolt Dia.	G	H	J	L	M	R	S	U	V	W	X	
						min.	max.													
203 (SXV)	1/2	1.1	1.13	5.00	1.20	3.25	4.06	3/8	0.84	0.47	2.14	1.13	1.06	0.26	0.87	2.25	4.50	0.38	0.12	
	5/8	1.0																		
	17mm	0.5	28.7	127.0	30.5	82.6	103.1	M10	21.3	11.9	54.4	28.7	26.9	6.6	22.1	57.2	114.3	9.7	3.0	
204	3/4	1.3	1.22	5.25	1.34	3.38	4.19	3/8	0.85	0.47	2.49	1.31	1.25	0.30	0.92	2.25	4.50	0.50	0.12	
	20mm	0.6	31.0	133.4	34.0	85.9	106.4	M10	21.6	11.9	63.2	33.3	31.8	7.6	23.4	57.2	114.3	12.7	3.0	
205	7/8	1.8	1.22	5.50	1.40	3.69	4.50	3/8	0.85	0.45	2.64	1.50	1.31	0.30	0.92	2.50	5.00	0.50	0.12	
	15/16	1.7																		
	1	1.6																		
206	25mm	0.7	31.0	139.7	35.6	93.7	114.3	M10	21.6	11.4	67.1	38.1	33.3	7.6	23.4	63.5	127.0	12.7	3.0	
	1-1/16	2.8	1.41	6.25	1.75	4.25	5.00	1/2	0.94	0.62	3.19	1.75	1.56	0.35	1.05	2.88	5.76	0.56	0.12	
	1-1/8	2.7																		
	1-3/16	2.6																		
207	1-1/4	2.5																		
	30mm	1.2	35.8	158.8	44.5	108.0	127.0	M12	23.9	15.8	81.0	44.5	39.6	8.9	26.7	73.2	146.3	14.2	3.0	
	1-1/4	4.3	1.53	6.50	1.75	4.68	5.44	1/2	0.94	0.65	3.69	2.13	1.81	0.37	1.16	2.91	5.82	0.56	0.12	
	1-5/16	4.2																		
	1-3/8	4.2																		
208	1-7/16	4.1																		
	35mm	1.9	38.9	165.1	44.5	118.9	138.2	M12	23.9	16.5	93.7	54.1	46.0	9.4	29.5	73.9	147.8	14.2	3.0	
	1-1/2	5.0	1.72	7.25	1.93	5.18	5.88	1/2	0.91	0.75	4.00	2.38	1.94	0.43	1.28	3.26	6.52	0.69	0.12	
209	40mm	2.2	43.6	184.2	49.0	131.6	149.4	M12	23.1	19.1	101.6	60.5	49.3	11.0	32.6	82.8	165.6	17.5	3.0	
	1-11/16	5.4	1.69	7.44	2.00	5.50	6.19	1/2	0.90	0.69	4.21	2.50	2.06	0.43	1.26	3.38	6.76	0.69	0.12	
210	1-3/4	5.3																		
	45mm	2.4	42.9	189.0	50.8	139.7	157.2	M12	22.9	17.5	106.9	63.5	52.3	10.9	32.0	85.9	171.7	17.5	3.0	
	1-15/16	5.7	1.72	8.12	2.25	6.00	6.68	5/8	1.02	0.68	4.47	2.50	2.19	0.43	1.29	3.69	7.38	0.81	0.12	
211	2	5.6																		
	50mm	2.5	43.6	206.2	57.2	152.4	169.7	M16	25.9	17.3	113.5	63.5	55.6	11.0	32.7	93.7	187.5	20.6	3.0	
	2	7.8	1.90	8.88	2.30	6.38	7.44	5/8	1.21	0.81	4.90	2.75	2.44	0.47	1.43	3.94	7.88	0.81	0.12	
211	2-3/16	7.5																		
	55mm	3.4	48.3	225.6	58.4	162.1	189.0	M16	30.7	20.6	124.5	69.9	62.0	12.0	36.4	100.1	200.2	20.6	3.0	

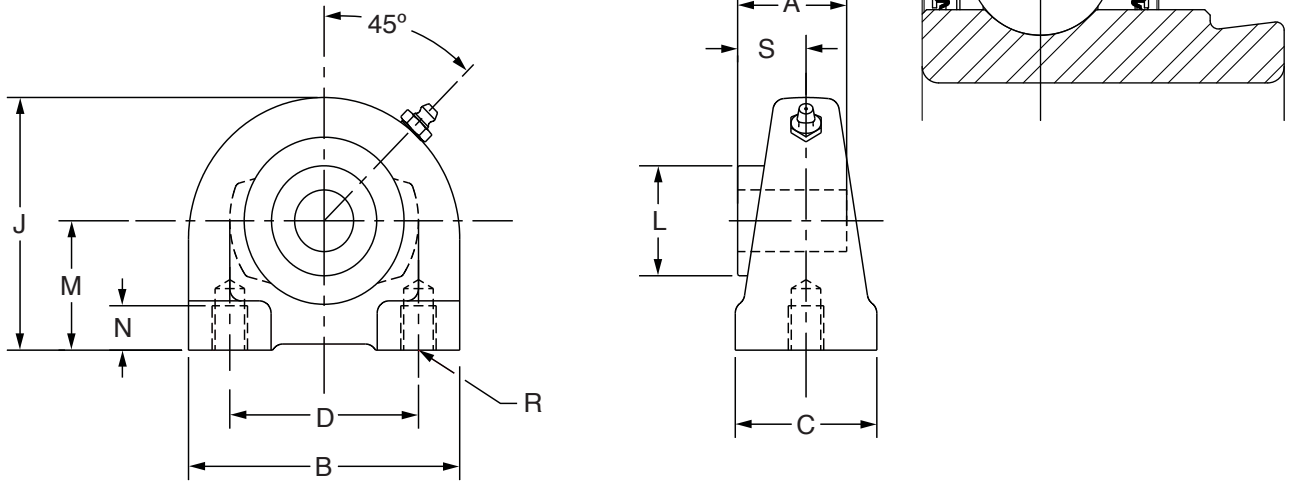
FEATURES/BENEFITS PAGE B9-2	SELECTION PAGE B9-6	HOW TO ORDER/NOMENCLATURE PAGE B7-5	MODIFICATIONS/ACCESSORIES PAGE B9-36
--------------------------------	------------------------	--	---

Eccentric Collar Ball Bearing
Setscrew VSC Ball Bearing
Eccentric SXV Collar Ball Bearing
Take-Up Frames
Engineering
Part Number Index
Keyword Index



SELECTION/DIMENSIONS

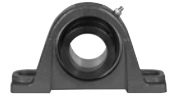
Eccentric SXV Collar Ball Bearings SXV INTERMEDIATE DUTY TAPPED BASE PILLOW BLOCKS



Series	Shaft Size	Part No.	Description
204	3/4	@	TB-SXV-012
	20mm	130769	<i>TB-SXV-20M</i>
205	7/8	@	TB-SXV-014
	15/16	@	TB-SXV-015
	1	124474	TB-SXV-100
	25mm	130770	<i>TB-SXV-25M</i>
206	1-1/16	@	TB-SXV-101
	1-1/8	@	TB-SXV-102
	1-3/16	@	TB-SXV-103
	1-1/4	@	TB-SXV-104S
	30mm	130771	<i>TB-SXV-30M</i>
207	1-1/4	@	TB-SXV-104
	1-5/16	@	TB-SXV-105
	1-3/8	@	TB-SXV-106
	1-7/16	@	TB-SXV-107
	35mm	130772	<i>TB-SXV-35M</i>
208	1-1/2	068747	TB-SXV-108
	40mm	130773	<i>TB-SXV-40M</i>
209	1-11/16	068400	TB-SXV-111
	1-3/4	@	TB-SXV-112
210	45mm	130774	<i>TB-SXV-45M</i>
	1-15/16	@	TB-SXV-115
	2	@	TB-SXV-200
211	50mm	130775	<i>TB-SXV-50M</i>
	2	@	TB-SXV-200L
	2-3/16	064483	TB-SXV-203
	55mm	@	<i>TB-SXV-55M</i>

@ Assemble to order

SELECTION/DIMENSIONS



Eccentric SXV Collar Ball Bearings SXV INTERMEDIATE DUTY TAPPED BASE PILLOW BLOCKS

Eccentric Collar Ball Bearing

Setscrew VSC Ball Bearing

Eccentric SXV Collar Ball Bearing

Take-Up Frames

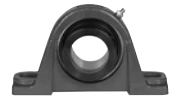
Engineering

Part Number Index

Keyword Index

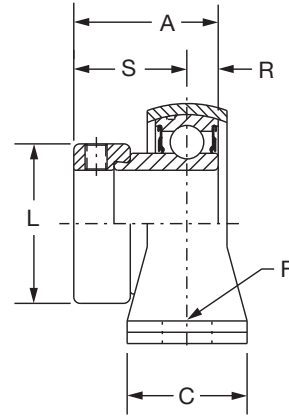
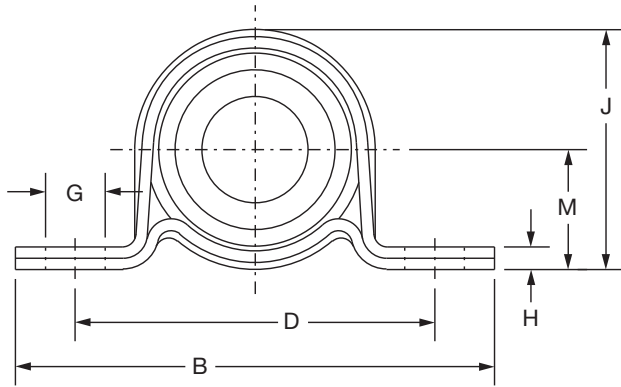
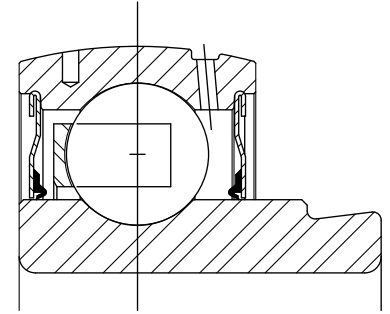
Series	Shaft Size	Weight lbs. kg	A	B	C	D	J	L	M	N Min. Tap Depth	R Bolt Hole UNC-Thread	S
204	3/4	1.5	1.22	2.88	1.50	2.00	2.56	1.31	1.31	0.50	3/8-16	0.92
	20mm	0.6	31.0	73.2	38.1	50.8	65.0	33.3	33.4	12.7	M8x1.25	23.4
205	7/8	2.2	1.22	3.00	1.50	2.00	2.81	1.50	1.44	0.50	3/8-16	0.92
	15/16	2.1										
	1	2										
206	25mm	0.8	31.0	76.2	38.1	50.8	71.4	38.1	36.5	12.7	M10x1.5	23.4
	1-1/16	3.2	1.41	4.00	1.50	3.00	3.38	1.75	1.69	0.63	7/16-14	1.05
	1-1/8	3										
	1-3/16	2.8										
207	1-1/4	2.6										
	1-1/4	1.1	35.8	101.6	38.1	76.2	85.9	44.5	42.9	16.0	M10x1.5	26.7
	1-5/16	4.4	1.53	4.25	1.88	3.25	3.75	2.13	1.88	0.75	1/2-13	1.16
	1-3/8	4.2										
	1-7/16	4										
208	35mm	1.4	38.9	108.0	47.8	82.6	95.3	54.1	47.6	19.1	M10x1.5	29.5
	1-1/2	4.8	1.72	4.63	1.88	3.50	3.94	2.38	1.94	0.75	1/2-13	1.28
209	40mm	1.8	43.6	117.6	47.8	88.9	100.1	60.5	49.2	19.1	M12x1.75	32.6
	1-11/16	5.7	1.69	5.00	2.00	3.75	4.25	2.50	2.13	0.75	1/2-13	1.26
	1-3/4	5.5										
210	45mm	2.1	42.9	127.0	50.8	95.3	108.0	63.5	54.0	19.1	M12x1.75	32.0
	1-15/16	6.5	1.72	5.50	2.00	4.00	4.63	2.75	2.25	0.88	5/8-11	1.29
	2	6.3										
211	50mm	2.4	43.6	139.7	50.8	101.6	117.6	69.9	57.2	22.4	M16x2	32.7
	2	9.2	1.90	5.50	2.00	4.00	4.63	3.00	2.25	0.88	5/8-11	1.43
	2-3/16	9										
	55mm	3.3	48.3	139.7	50.8	101.6	117.6	76.2	57.2	22.4	M16x2	36.4

FEATURES/BENEFITS PAGE B9-2	SELECTION PAGE B9-6	HOW TO ORDER/NOMENCLATURE PAGE B7-5	MODIFICATIONS/ACCESSORIES PAGE B9-36
--------------------------------	------------------------	--	---



SELECTION/DIMENSIONS

Eccentric Collar Ball Bearings SLX LIGHT DUTY PILLOW BLOCKS



Series	Shaft Size	Part No.	Description
203	1/2	@	P2B-SLX-008
	5/8	052932	P2B-SLX-010
	17mm	@	P2B-SLX-17M
204	3/4	128130	P2B-SLX-012
	20mm	@	P2B-SLX-20M
205	7/8	128131	P2B-SLX-014
	15/16	128132	P2B-SLX-015
	1	128133	P2B-SLX-100
	25mm	@	P2B-SLX-25M
206	1-1/8	128134	P2B-SLX-102
	1-3/16	128135	P2B-SLX-103
	1-1/4	128136	P2B-SLX-104S
	30mm	@	P2B-SLX-30M
207	1-1/4	128183	P2B-SLX-104
	1-3/8	128184	P2B-SLX-106
	1-7/16	128185	P2B-SLX-107
	35mm	@	P2B-SLX-35M

@ Assembled to order.

SELECTION/DIMENSIONS



Eccentric Collar Ball Bearings SLX LIGHT DUTY PILLOW BLOCKS

Eccentric Collar Ball Bearing

Setscrew VSC Ball Bearing

Eccentric SXV Collar Ball Bearing

Take-Up Frames

Engineering

Part Number Index

Keyword Index

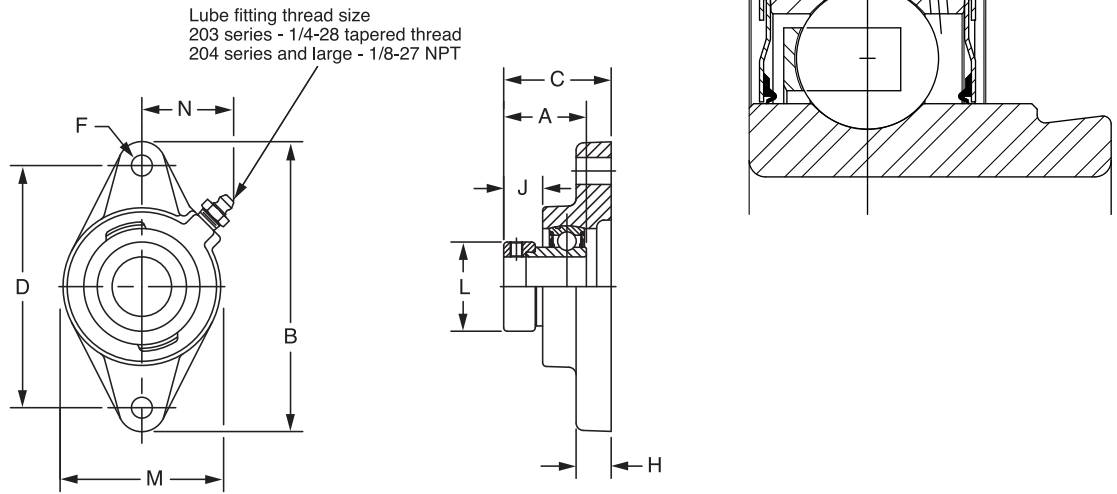
Series	Shaft Size	Weight lbs kg	A	B	C	D	F Bolt Dia.	G	H	J	L	M	R	S	Housing Radial Load Rating (lbs)
203	1/2	0.52	1.13	3.63	1.00	2.69	1/4	0.50	0.13	1.75	1.13	0.88	0.26	0.87	250
	5/8	0.50													
	17mm	.23	28.7	92.2	25.4	68.3	M6	12.7	3.3	44.5	28.7	22.4	6.6	22.1	1,112
204	3/4	0.61	1.22	4.13	1.00	3.00	3/8	0.50	0.15	2.06	1.31	1.00	0.30	0.92	350
	20mm	.27	31.0	104.9	25.4	76.2	M10	12.7	3.8	52.3	33.3	25.4	7.6	23.4	1,556
205	7/8	0.79	1.22	4.50	1.13	3.38	3/8	0.56	0.21	2.22	1.50	1.13	0.30	0.92	400
	15/16	0.76													
	1	0.73	31.0	114.3	28.7	85.9	M10	14.2	5.3	56.4	38.1	28.7	7.6	23.4	1,779
206	1-1/8	1.14	1.41	4.88	1.25	3.75	3/8	0.56	0.24	2.62	1.75	1.31	0.35	1.05	600
	1-3/16	1.12													
	1-1/4	1.10	35.8	124.0	31.8	95.3	M10	14.2	6.1	66.5	44.5	33.3	8.9	26.7	2,668
207	1-1/4	1.54	1.53	5.75	1.25	4.25	1/2	0.75	0.24	3.12	2.13	1.56	0.37	1.16	800
	1-3/8	1.50													
	1-7/16	1.48	38.9	146.1	31.8	108.0	M12	19.1	6.1	79.2	54.1	39.6	9.4	29.5	3,557

FEATURES/BENEFITS PAGE B9-2	SELECTION PAGE B9-6	HOW TO ORDER/NOMENCLATURE PAGE B7-5	MODIFICATIONS/ACCESSORIES PAGE B9-36
--------------------------------	------------------------	--	---



SELECTION/DIMENSIONS

Eccentric SXV Collar Ball Bearings SXV INTERMEDIATE DUTY 2-BOLT FLANGE BEARINGS

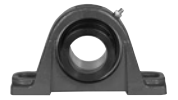


Series	Shaft Size	Standard		No Lube/Sealed for Life (-NL)	
		Part No.	Description	Part No.	Description
203	1/2	130326	F2B-SXV-008	@	F2B-SXV-008-NL
	5/8	130327	F2B-SXV-010	@	F2B-SXV-010-NL
	17mm	125529	F2B-SXV-17M	@	F2B-SXV-17M-NL
204	3/4	131737	F2B-SXV-012	@	F2B-SXV-012-NL
	20mm	125730	F2B-SXV-20M	@	F2B-SXV-20M-NL
205	7/8	131738	F2B-SXV-014	@	F2B-SXV-014-NL
	15/16	131739	F2B-SXV-015	@	F2B-SXV-015-NL
	1	131740	F2B-SXV-100	058778	F2B-SXV-100-NL
	25mm	125731	F2B-SXV-25M	@	F2B-SXV-25M-NL
206	1-1/16	131741	F2B-SXV-101	@	F2B-SXV-101-NL
	1-1/8	131742	F2B-SXV-102	@	F2B-SXV-102-NL
	1-3/16	131743	F2B-SXV-103	@	F2B-SXV-103-NL
	1-1/4	131744	F2B-SXV-104S	@	F2B-SXV-104S-NL
	30mm	125732	F2B-SXV-30M	@	F2B-SXV-30M-NL
207	1-1/4	131745	F2B-SXV-104	@	F2B-SXV-104-NL
	1-5/16	131746	F2B-SXV-105	@	F2B-SXV-105-NL
	1-3/8	131747	F2B-SXV-106	@	F2B-SXV-106-NL
	1-7/16	131748	F2B-SXV-107	058779	F2B-SXV-107-NL
	35mm	125733	F2B-SXV-35M	@	F2B-SXV-35M-NL
208	1-1/2	131749	F2B-SXV-108	068784	F2B-SXV-108-NL
	40mm	125734	F2B-SXV-40M	@	F2B-SXV-40M-NL
209	1-11/16	130328	F2B-SXV-111	059595	F2B-SXV-111-NL
	1-3/4	130329	F2B-SXV-112	@	F2B-SXV-112-NL
	45mm	125735	F2B-SXV-45M	@	F2B-SXV-45M-NL
210	1-15/16	130330	F2B-SXV-115	059596	F2B-SXV-115-NL
	2	130331	F2B-SXV-200	068867	F2B-SXV-200-NL
	50mm	125736	F2B-SXV-50M	@	F2B-SXV-50M-NL
211	2	130352	F2B-SXV-200L	@	F2B-SXV-200L-NL
	2-3/16	130353	F2B-SXV-203	@	F2B-SXV-203-NL
	55mm	125737	F2B-SXV-55M	@	F2B-SXV-55M-NL

@ Assembled to order

FEATURES/BENEFITS PAGE B9-2	SELECTION PAGE B9-6	HOW TO ORDER/NOMENCLATURE PAGE B7-5	MODIFICATIONS/ACCESSORIES PAGE B9-36
--------------------------------	------------------------	--	---

SELECTION/DIMENSIONS



Eccentric SXV Collar Ball Bearings SXV INTERMEDIATE DUTY 2-BOLT FLANGE BEARINGS

Eccentric Collar Ball Bearing

Setscrew VSC Ball Bearing

Eccentric SXV Collar Ball Bearing

Take-Up Frames

Engineering

Part Number Index

Keyword Index

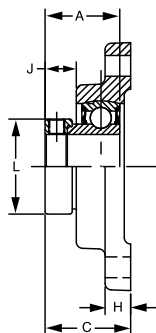
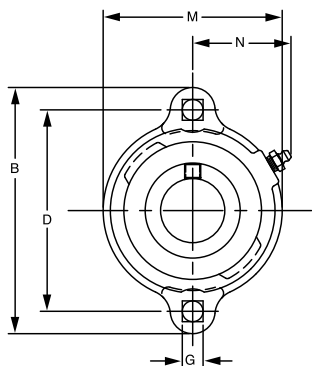
Series	Shaft Size	Weight lbs kg	A	B	C	D	F Bolt Dia.	H	J	L	M	N
203	1/2	0.9	1.13	3.88	1.40	3.00	3/8	0.38	0.55	1.13	2.13	1.13
	5/8	0.8										
	17mm	0.3	28.7	98.6	35.6	76.2	M10	9.7	14.0	28.7	54.1	28.7
204	3/4	1.0	1.22	4.41	1.54	3.53	3/8	0.50	0.55	1.31	2.38	1.50
	20mm	0.5	31.0	112.0	39.1	89.7	M10	12.7	14.0	33.3	60.5	38.1
205	7/8	1.7	1.22	4.88	1.51	3.89	7/16	0.52	0.56	1.50	2.75	1.44
	15/16	1.6										
	1	1.5										
206	25mm	0.7	31.0	124.0	38.4	98.8	M10	13.2	14.2	38.1	69.9	36.6
	1-1/16	2.4	1.41	5.56	1.67	4.59	7/16	0.50	0.61	1.75	3.13	1.56
	1-1/8	2.3										
	1-3/16	2.2										
	1-1/4	2.1										
30mm	1	35.8	141.2	42.4	116.7	M10	12.7	15.5	44.5	79.5	39.6	
207	1-1/4	3.6	1.53	6.13	1.87	5.12	1/2	0.56	0.65	2.13	3.75	1.84
	1-5/16	3.5										
	1-3/8	3.3										
	1-7/16	3.2										
35mm	1.5	38.9	155.7	47.5	130.0	M12	14.2	16.5	54.1	95.3	46.7	
208	1-1/2	4.7	1.72	6.75	2.07	5.66	1/2	0.56	0.73	2.38	4.13	1.83
	40mm	2.2	43.6	171.5	52.6	143.8	M12	14.2	18.5	60.5	104.9	46.5
209	1-11/16	5.1	1.69	7.06	2.07	5.84	1/2	0.63	0.66	2.50	4.38	1.91
	1-3/4	4.9										
	45mm	2.2	42.9	179.3	52.6	148.3	M14	16.0	16.8	63.5	111.3	48.5
210	1-15/16	5.8	1.72	7.44	2.12	6.19	1/2	0.63	0.65	2.75	4.56	2.03
	2	5.3										
	50mm	2.4	43.6	189.0	53.8	157.2	M16	16.0	16.5	69.9	115.8	51.6
211	2	6.9	1.90	8.63	2.36	7.25	5/8	0.67	0.77	3.00	5.25	2.27
	2-3/16	6.7										
	55mm	3.1	48.3	219.2	59.9	184.2	M16	17.0	19.6	76.2	133.4	57.7

FEATURES/BENEFITS PAGE B9-2	SELECTION PAGE B9-6	HOW TO ORDER/NOMENCLATURE PAGE B7-5	MODIFICATIONS/ACCESSORIES PAGE B9-36
--------------------------------	------------------------	--	---

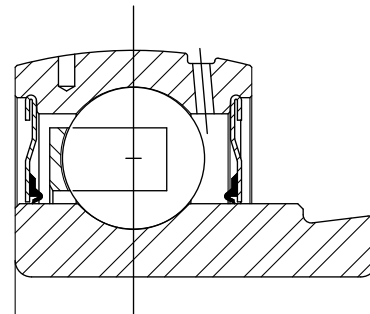


SELECTION/DIMENSIONS

Eccentric Collar Ball Bearings SXV LFT INTERMEDIATE DUTY 2-BOLT FLANGE BEARINGS



Lube fitting thread size:
203-204 series - 1/4-28 tapered thread
205-207 series - 1/8-27 NPT



Series	Shaft Size	Standard		No Lube/Sealed for Life (-NL)	
		Part No.	Description	Part No.	Description
203	1/2	@	LFT-SXV-008	124748	LFT-SXV-008-NL
	5/8	124749	LFT-SXV-010	068855	LFT-SXV-010-NL
	17mm	130776	LFT-SXV-17M	@	LFT-SXV-17M-NL
204	3/4	@	LFT-SXV-012	124678	LFT-SXV-012-NL
	20mm	130777	LFT-SXV-20M	@	LFT-SXV-20M-NL
205	7/8	049751	LFT-SXV-014	@	LFT-SXV-014-NL
	15/16	@	LFT-SXV-015	@	LFT-SXV-015-NL
	1	124677	LFT-SXV-100	124697	LFT-SXV-100-NL
	25mm	130778	LFT-SXV-25M	@	LFT-SXV-25M-NL
206	1-1/16	@	LFT-SXV-101	@	LFT-SXV-101-NL
	1-1/8	068387	LFT-SXV-102	@	LFT-SXV-102-NL
	1-3/16	068803	LFT-SXV-103	053007	LFT-SXV-103-NL
	1-1/4	068561	LFT-SXV-104S	062945	LFT-SXV-104S-NL
	30mm	130779	LFT-SXV-30M	@	LFT-SXV-30M-NL
207	1-1/4	@	LFT-SXV-104	@	LFT-SXV-104-NL
	1-5/16	@	LFT-SXV-105	@	LFT-SXV-105-NL
	1-3/8	062439	LFT-SXV-106	@	LFT-SXV-106-NL
	1-7/16	064750	LFT-SXV-107	124676	LFT-SXV-107-NL
35mm	130780	LFT-SXV-35M	@	LFT-SXV-35M-NL	

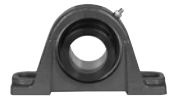
@ Assembled to order

Series	Shaft Size	Weight lbs kg	A	B	C	D	G	H	J	L	M	N
203	1/2	0.63	1.13	3.19	1.28	2.50	0.28	0.38	0.56	1.13	2.13	1.23
	5/8	0.60										
	17mm	0.3	28.7	81.0	32.5	63.5	7.1	9.7	14.2	28.7	54.1	31.2
204	3/4	0.77	1.22	3.56	1.41	2.81	0.34	0.42	0.56	1.31	2.38	1.34
	20mm	0.4	31.0	90.4	35.8	71.4	8.6	10.7	14.2	33.3	60.5	34.0
205	7/8	0.92	1.22	3.75	1.40	3.00	0.34	0.42	0.53	1.31	2.63	1.44
	15/16	0.89										
	1	0.86										
206	25mm	0.4	31.0	95.3	35.6	76.2	8.6	10.7	13.5	33.3	66.8	36.6
	1-1/16	1.53	1.41	4.44	1.60	3.56	0.41	0.47	0.61	1.75	3.25	1.72
	1-1/8	1.5										
	1-3/16	1.47										
207	1-1/4	1.92	1.53	4.82	1.72	3.94	0.41	0.50	0.65	2.13	3.50	1.83
	1-5/16	1.89										
	1-3/8	1.86										
	1-7/16	1.83										
	35mm	0.8	38.9	122.4	43.7	100.1	10.4	12.7	16.5	54.1	88.9	46.5

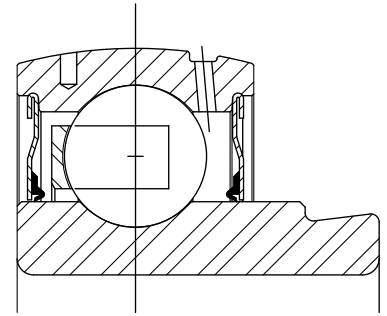
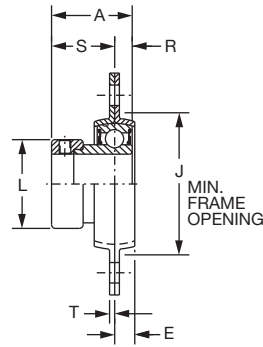
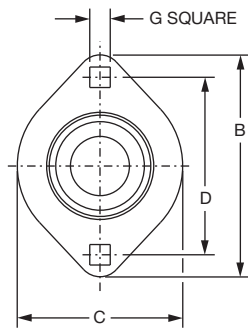
FEATURES/BENEFITS PAGE B9-2	SELECTION PAGE B9-6	HOW TO ORDER/NOMENCLATURE PAGE B7-5	MODIFICATIONS/ACCESSORIES PAGE B9-36
--------------------------------	------------------------	--	---

Eccentric Collar Ball Bearings
 Setscrew WSC Ball Bearing
 Eccentric SXV Collar Ball Bearing
 Take-Up Frames
 Engineering
 Part Number Index
 Keyword Index

SELECTION/DIMENSIONS



Eccentric Collar Ball Bearings SLX LIGHT DUTY 2-BOLT FLANGE BEARINGS



Series	Shaft Size	Standard	
		Part No.	Description
203	1/2	@	F2B-SLX-008
	5/8	062497	F2B-SLX-010
	17mm	@	F2B-SLX-17M
204	3/4	128137	F2B-SLX-012
	20mm	@	F2B-SLX-20M
205	7/8	128138	F2B-SLX-014
	15/16	128139	F2B-SLX-015
	1	128140	F2B-SLX-100
	25mm	@	F2B-SLX-25M
206	1-1/8	128141	F2B-SLX-102
	1-3/16	128142	F2B-SLX-103
	1-1/4	128143	F2B-SLX-104S
	30mm	@	F2B-SLX-30M
207	1-1/4	128186	F2B-SLX-104
	1-3/8	128187	F2B-SLX-106
	1-7/16	128188	F2B-SLX-107
	35mm	@	F2B-SLX-35M

@ Assembled to order

Series	Shaft Size	Weight lbs kg	A	B	C	D	E	G*	J	L	R	S	T	Housing Radial Load Rating (lbs)
203	1/2	.51	1.13	3.19	2.31	2.54	0.28	0.28	1.94	1.13	0.26	0.87	0.08	600
	5/8	.48												
	17mm	.23	28.7	81.0	58.7	64.5	7.1	7.1	49.3	28.7	6.6	22.1	2.0	2668
204	3/4	.51	1.22	3.56	2.63	2.81	0.31	0.34	2.19	1.31	0.30	0.92	0.08	700
	20mm	.23	31.0	90.4	66.8	71.4	7.9	8.6	55.6	33.3	7.6	23.4	2.0	3112
	7/8	.79	1.22	3.75	2.80	3.00	0.34	0.34	2.38	1.50	0.30	0.92	0.08	800
205	15/16	.76												
	1	.73												
	25mm	.35	31.0	95.3	71.1	76.2	8.6	8.6	60.5	38.1	7.6	23.4	2.0	3557
206	1-1/8	1.14	1.41	4.44	3.31	3.56	0.34	0.41	2.81	1.75	0.35	1.05	0.10	1100
	1-3/16	1.12												
	1-1/4	1.10												
	30mm	.52	35.8	112.8	84.1	90.4	8.6	10.4	71.4	44.5	8.9	26.7	2.5	4891
207	1-1/4	1.54	1.53	4.94	3.69	3.94	0.44	0.41	3.19	2.13	0.37	1.16	0.10	1100
	1-3/8	1.50												
	1-7/16	1.48												
	35mm	.69	38.9	125.5	93.7	100.1	11.2	10.4	81.0	54.1	9.4	29.5	2.5	6225

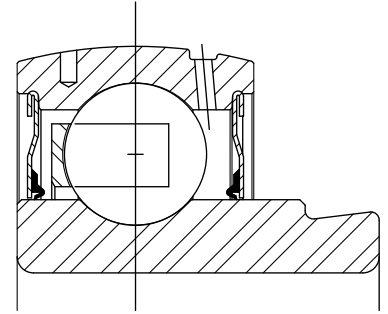
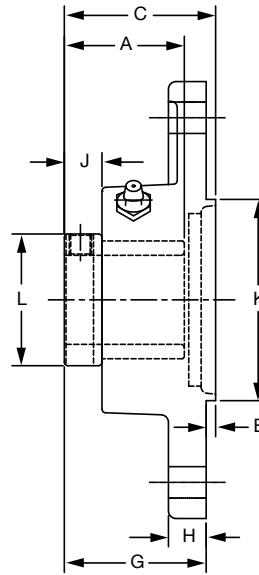
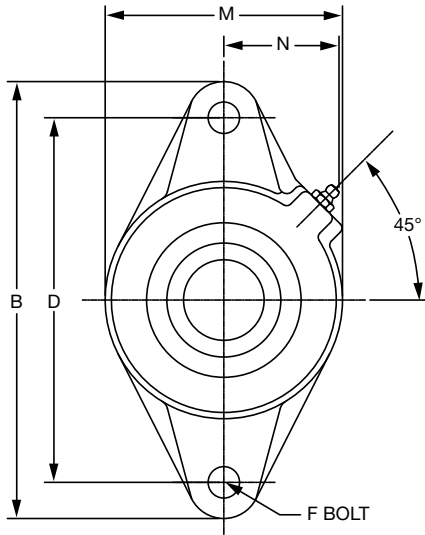
* Mounting bolt holes will accept either carriage or machine bolts.

FEATURES/BENEFITS PAGE B9-2	SELECTION PAGE B9-6	HOW TO ORDER/NOMENCLATURE PAGE B7-5	MODIFICATIONS/ACCESSORIES PAGE B9-36
--------------------------------	------------------------	--	---



SELECTION/DIMENSIONS

Eccentric SXV Collar Ball Bearings SXV INTERMEDIATE DUTY 2-BOLT PILOTED FLANGE BEARINGS



Series	Shaft Size	Part No.	Description
204	3/4	@	F2BZ-SXV-012
	20mm	130781	F2BZ-SXV-20M
205	7/8	@	F2BZ-SXV-014
	15/16	@	F2BZ-SXV-015
	1	@	F2BZ-SXV-100
	25mm	130782	F2BZ-SXV-25M
206	1-1/8	067601	F2BZ-SXV-102
	1-3/16	@	F2BZ-SXV-103
	1-1/4	@	F2BZ-SXV-104S
	30mm	130783	F2BZ-SXV-30M
207	1-1/4	062893	F2BZ-SXV-104
	1-3/8	@	F2BZ-SXV-106
	1-7/16	@	F2BZ-SXV-107
	35mm	130784	F2BZ-SXV-35M
208	1-1/2	068763	F2BZ-SXV-108
	40mm	130785	F2BZ-SXV-40M
209	1-11/16	@	F2BZ-SXV-111
	1-3/4	@	F2BZ-SXV-112
	45mm	130786	F2BZ-SXV-45M
210	1-15/16	@	F2BZ-SXV-115
	2	@	F2BZ-SXV-200
	50mm	130787	F2BZ-SXV-50M

@ Assembled to order

SELECTION/DIMENSIONS



Eccentric SXV Collar Ball Bearings SXV INTERMEDIATE DUTY 2-BOLT PILOTED FLANGE BEARINGS

Eccentric Collar Ball Bearing

Setscrew VSC Ball Bearing

Eccentric SXV Collar Ball Bearing

Take-Up Frames

Engineering

Part Number Index

Keyword Index

Series	Shaft Size	Weight lbs kg	A	B	C	D	E	F Bolt Dia.	G	H	J	K	L	M	N
204	3/4	1.1	1.22	4.41	1.67	3.53	0.14	3/8	1.54	0.50	0.55	2.165/2.163	1.31	2.38	1.50
	20mm	0.5	31.0	112.0	42.4	89.7	3.6	M10	39.1	12.7	14.0	54.99/54.94	33.3	60.5	38.1
205	7/8	1.5	1.22	4.88	1.65	3.89	0.14	7/16	1.51	0.52	0.56	2.362/2.360	1.50	2.75	1.44
	15/16	1.4													
	1	1.4													
206	25mm	0.6	31.0	124.0	41.9	98.8	3.6	M10	38.4	13.2	14.2	59.99/59.94	38.1	69.9	36.6
	1-1/8	1.9	1.41	5.56	1.79	4.59	0.12	7/16	1.67	0.50	0.61	3.150/3.148	1.75	3.13	1.56
	1-3/16	1.9													
	1-1/4	1.9													
207	30mm	0.9	35.8	141.2	45.5	116.6	3.0	M10	42.4	12.7	15.5	80.01/79.96	44.5	79.5	39.6
	1-1/4	2.9	1.53	6.13	2.03	5.12	0.16	1/2	1.87	0.56	0.65	3.543/3.541	2.13	3.75	1.84
	1-3/8	2.8													
	1-7/16	2.8													
	35mm	1.3	38.9	155.7	51.6	130.0	4.1	M12	47.5	14.2	16.5	89.99/89.94	54.1	95.3	46.7
208	1-1/2	4.4	1.72	6.75	2.23	5.66	0.16	1/2	2.07	0.56	0.73	3.937/3.935	2.38	4.13	1.83
	40mm	2	43.6	171.5	56.6	143.8	4.1	M12	52.6	14.2	18.5	100.00/99.95	60.5	104.9	46.5
209	1-11/16	4.6	1.72	7.06	2.22	5.84	0.16	1/2	2.07	0.63	0.66	4.134/4.132	2.50	4.38	1.91
	1-3/4	4.5													
	45mm	2.1	43.6	179.3	56.4	148.3	4.1	M14	52.6	16.0	16.8	105.00/104.95	63.5	111.3	48.5
210	1-15/16	5	1.72	7.44	2.28	6.19	0.16	1/2	2.12	0.63	0.65	4.134/4.132	2.75	4.56	2.03
	2	4.8													
	50mm	2.1	43.6	189.0	57.9	157.2	4.1	M16	53.8	16.0	16.5	105.00/104.95	69.9	115.8	51.6

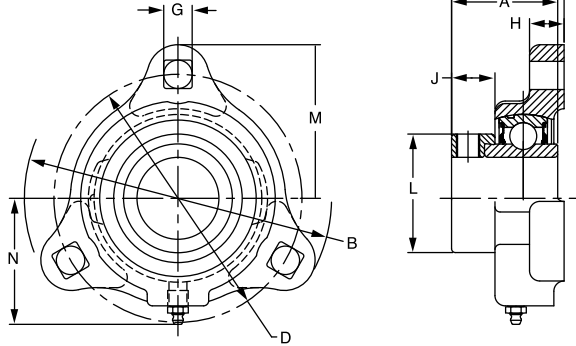
FEATURES/BENEFITS PAGE B9-2	SELECTION PAGE B9-6	HOW TO ORDER/NOMENCLATURE PAGE B7-5	MODIFICATIONS/ACCESSORIES PAGE B9-36
--------------------------------	------------------------	--	---



SELECTION/DIMENSIONS

Eccentric SXV Collar Ball Bearings SXV LF INTERMEDIATE DUTY 3-BOLT FLANGE BEARINGS

Lube fitting thread size:
203-204 series - 1/4-28 tapered thread
205-207 series - 1/8-27 NPT



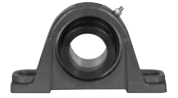
Series	Shaft Size	Standard		No Lube/Sealed for Life (-NL)	
		Part No.	Description	Part No.	Description
203	1/2	@	LF-SXV-008	@	LF-SXV-008-NL
	5/8	@	LF-SXV-010	@	LF-SXV-010-NL
	17mm	@	LF-SXV-17M	@	LF-SXV-17M-NL
204	3/4	@	LF-SXV-012	@	LF-SXV-012-NL
	20mm	@	LF-SXV-20M	@	LF-SXV-20M-NL
205	7/8	@	LF-SXV-014	@	LF-SXV-014-NL
	15/16	@	LF-SXV-015	@	LF-SXV-015-NL
	1	124591	LF-SXV-100	@	LF-SXV-100-NL
	25mm	@	LF-SXV-25M	@	LF-SXV-25M-NL
206	1-1/16	@	LF-SXV-101	@	LF-SXV-101-NL
	1-1/8	@	LF-SXV-102	068790	LF-SXV-102-NL
	1-3/16	124590	LF-SXV-103	062454	LF-SXV-103-NL
	1-1/4	@	LF-SXV-104S	124634	LF-SXV-104S-NL
	30mm	065530	LF-SXV-30M	@	LF-SXV-30M-NL
207	1-1/4	@	LF-SXV-104	@	LF-SXV-104-NL
	1-5/16	@	LF-SXV-105	@	LF-SXV-105-NL
	1-3/8	053763	LF-SXV-106	@	LF-SXV-106-NL
	1-7/16	050420	LF-SXV-107	@	LF-SXV-107-NL
	35mm	@	LF-SXV-35M	@	LF-SXV-35M-NL

@ Assembled to order

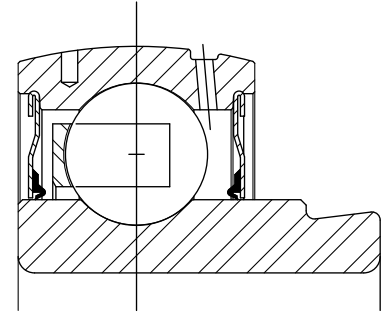
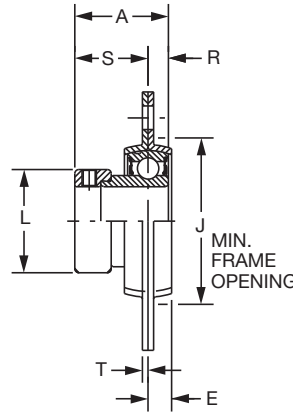
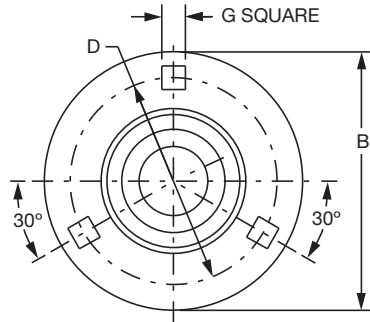
Series	Shaft Size	Weight lbs kg	A	B	C	D	G	H	J	L	M	N
203	1/2	0.63	1.13	3.19	1.28	2.50	0.28	0.38	0.56	1.13	1.59	1.84
	5/8	0.60										
	17mm	0.30	28.7	81.0	32.5	63.5	7.1	9.7	14.2	28.7	40.4	46.7
204	3/4	0.77	1.22	3.56	1.41	2.81	0.34	0.42	0.56	1.31	1.78	1.56
	20mm	0.40	31.0	90.4	35.8	71.4	8.6	10.7	14.2	33.3	45.2	39.6
205	7/8	0.92	1.22	3.75	1.40	3.00	0.34	0.42	0.53	1.31	1.88	1.70
	15/16	0.89										
	1	0.86										
	25mm	0.40	31.0	95.3	35.6	76.2	8.6	10.7	13.5	33.3	47.8	43.2
206	1-1/16	1.53	1.41	4.44	1.60	3.56	0.41	0.47	0.61	1.75	2.22	2.02
	1-1/8	1.50										
	1-3/16	1.47										
	1-1/4	1.44										
	30mm	0.70	35.8	112.8	40.6	90.4	10.4	11.9	15.5	44.5	56.4	51.3
207	1-1/4	1.92	1.53	4.81	1.72	3.94	0.41	0.50	0.65	2.13	2.41	2.14
	1-5/16	1.89										
	1-3/8	1.86										
	1-7/16	1.83										
	35mm	0.80	38.9	122.2	43.7	100.1	10.4	12.7	16.5	54.1	61.2	54.4

FEATURES/BENEFITS PAGE B9-2	SELECTION PAGE B9-6	HOW TO ORDER/NOMENCLATURE PAGE B7-5	MODIFICATIONS/ACCESSORIES PAGE B9-36
--------------------------------	------------------------	--	---

SELECTION/DIMENSIONS



Eccentric SXV Collar Ball Bearings SLX LIGHT DUTY 3-BOLT FLANGE BEARINGS



Series	Shaft Size	Standard	
		Part No	Description
204	3/4	128144	F3B-SLX-012
	20mm	@	F3B-SLX-20M
205	7/8	128145	F3B-SLX-014
	15/16	128146	F3B-SLX-015
	1	128147	F3B-SLX-100
	25mm	@	F3B-SLX-25M
206	1-1/8	128148	F3B-SLX-102
	1-3/16	128149	F3B-SLX-103
	1-1/4	128150	F3B-SLX-104S
	30mm	@	F3B-SLX-30M
207	1-1/4	128189	F3B-SLX-104
	1-3/8	128190	F3B-SLX-106
	1-7/16	128191	F3B-SLX-107
	35mm	@	F3B-SLX-35M

@ Assembled to order

Series	Shaft Size	Weight lbs kg	A	B	D	E	G*	J	L	R	S	T	Housing Radial Load Rating (lbs)
204	3/4	.53	1.22	3.56	2.81	0.31	0.34	2.19	1.31	0.30	0.92	0.08	700
	20mm	0.24	31.0	90.4	71.4	7.9	8.6	55.6	33.3	7.6	23.4	2.0	3112
205	7/8	0.81	1.22	3.75	3.00	0.34	0.34	2.38	1.50	0.30	0.92	0.08	800
	15/16	0.78											
	1	0.75											
206	25mm	0.36	31.0	95.3	76.2	8.6	8.6	60.5	38.1	7.6	23.4	2.0	3557
	1-1/18	1.16	1.41	4.44	3.56	0.34	0.41	2.81	1.75	0.35	1.05	0.10	1100
	1-3/16	1.14											
	1-1/4	1.12											
207	30mm	0.53	35.8	112.8	90.4	8.6	10.4	71.4	44.5	8.9	26.7	2.5	4891
	1-1/4	1.56	1.53	4.81	3.94	0.38	0.41	3.19	2.13	0.37	1.16	0.10	1100
	1-3/8	1.52											
	1-7/16	1.5											
	35mm	0.7	38.9	122.2	100.1	9.7	10.4	81.0	54.1	9.4	29.5	2.5	6225

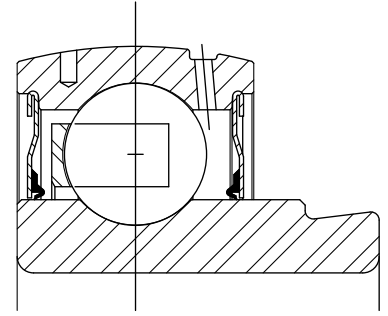
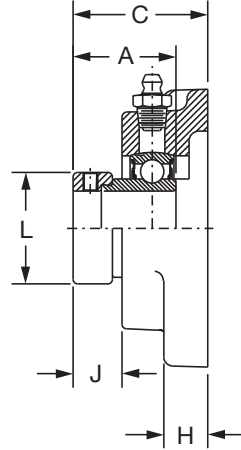
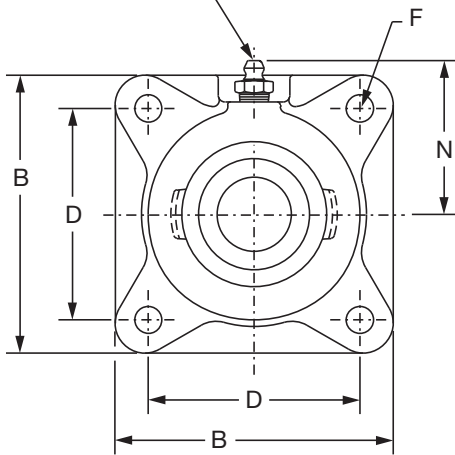
FEATURES/BENEFITS PAGE B9-2	SELECTION PAGE B9-6	HOW TO ORDER/NOMENCLATURE PAGE B7-5	MODIFICATIONS/ACCESSORIES PAGE B9-36
--------------------------------	------------------------	--	---



SELECTION/DIMENSIONS

Eccentric SXV Collar Ball Bearings SXV INTERMEDIATE DUTY 4-BOLT FLANGE BEARINGS

Lube fitting thread size:
203 series - 1/4-28 tapered thread
204 series and larger - 1/8-27 NPT



Series	Shaft Size	Standard	
		Part No.	Description
203	1/2	130332	F4B-SXV-008
	5/8	130333	F4B-SXV-010
	17mm	125720	F4B-SXV-17M
204	3/4	131377	F4B-SXV-012
	20mm	125721	F4B-SXV-20M
205	7/8	131378	F4B-SXV-014
	15/16	131379	F4B-SXV-015
	1	131380	F4B-SXV-100
	25mm	125722	F4B-SXV-25M
206	1-1/16	131381	F4B-SXV-101
	1-1/8	131382	F4B-SXV-102
	1-3/16	131383	F4B-SXV-103
	1-1/4	131384	F4B-SXV-104S
	30mm	125723	F4B-SXV-30M
207	1-1/4	131385	F4B-SXV-104
	1-5/16	131386	F4B-SXV-105
	1-3/8	131387	F4B-SXV-106
	1-7/16	131388	F4B-SXV-107
	35mm	125724	F4B-SXV-35M
208	1-1/2	131389	F4B-SXV-108
	40mm	125725	F4B-SXV-40M
209	1-11/16	130334	F4B-SXV-111
	1-3/4	130335	F4B-SXV-112
	45mm	125726	F4B-SXV-45M
210	1-15/16	130336	F4B-SXV-115
	2	130337	F4B-SXV-200
	50mm	125727	F4B-SXV-50M
211	2	130338	F4B-SXV-200L
	2-3/16	130339	F4B-SXV-203
	55mm	125728	F4B-SXV-55M

SELECTION/DIMENSIONS



Eccentric SXV Collar Ball Bearings SXV INTERMEDIATE DUTY 4-BOLT FLANGE BEARINGS

Eccentric Collar Ball Bearing

Setscrew YSC Ball Bearing

Eccentric SXV Collar Ball Bearing

Take-Up Frames

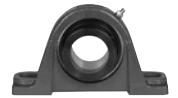
Engineering

Part Number Index

Keyword Index

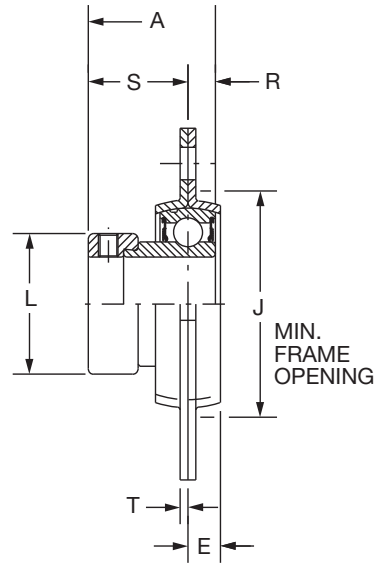
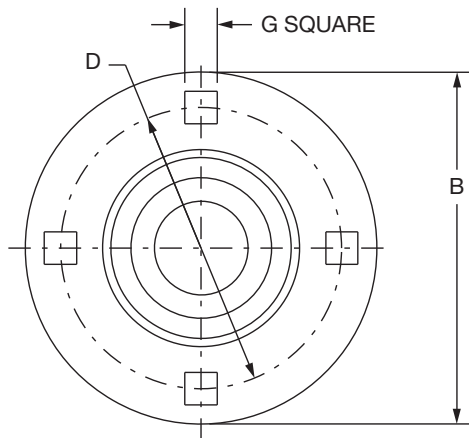
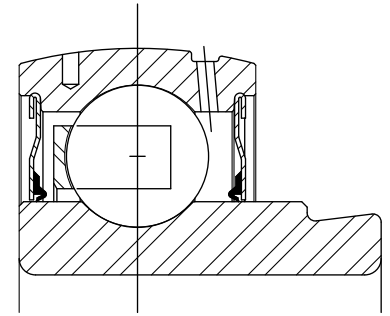
Series	Shaft Size	Weight lbs kg	A	B	C	D	F Bolt Dia.	H	J	L	N
203	1/2	1.1	1.13	3.00	1.40	2.13		0.44	0.55	1.13	1.69
	5/8	1.0									
	17mm	0.5	28.7	76.2	35.6	54.0	M10	11.2	14.0	28.7	42.9
204	3/4	1.7	1.22	3.38	1.54	2.50	3/8	0.44	0.55	1.31	1.94
	20mm	0.7	31.0	85.9	39.1	63.5	M10	11.2	14.0	33.3	49.3
205	7/8	2.3	1.22	3.75	1.51	2.75	7/16	0.50	0.56	1.50	2.06
	15/16	2.2									
	1	2.0									
206	25mm	0.9	31.0	95.3	38.4	69.9	M10	12.7	14.2	38.1	52.3
	1-1/16	3.4	1.41	4.25	1.67	3.25	7/16	0.50	0.61	1.75	2.19
	1-1/8	3.3									
	1-3/16	3.2									
207	1-1/4	3.0									
	30mm	1.4	35.8	108.0	42.4	82.6	M10	12.7	15.5	44.5	55.6
	1-1/4	4.6	1.53	4.75	1.87	3.63	1/2	0.56	0.65	2.13	2.44
	1-5/16	4.5									
	1-3/8	4.3									
208	1-7/16	4.2									
	35mm	1.9	38.9	120.7	47.5	92.1	M12	14.2	16.5	54.1	62.0
	1-1/2	5.0	1.72	5.13	2.07	4.00	1/2	0.56	0.73	2.38	2.38
209	40mm	2.2	43.6	130.3	52.6	101.6	M12	14.2	18.5	60.5	60.5
	1-11/16	6.2	1.69	5.38	2.07	4.13	1/2	0.63	0.66	2.50	2.75
210	1-3/4	6.0									
	45mm	2.7	42.9	136.7	52.6	104.8	M12	16.0	16.8	63.5	69.9
	1-15/16	7.0	1.72	5.63	2.12	4.38	5/8	0.63	0.65	2.75	2.88
211	2	6.8									
	50mm	3.0	43.6	143.0	53.8	111.1	M16	16.0	16.5	69.9	73.2
	2	10	1.90	6.50	2.36	5.13	5/8	0.69	0.77	3.00	3.25
211	2-3/16	9.7									
	55mm	4.3	48.3	165.1	59.9	130.2	M16	17.5	19.6	76.2	82.6

FEATURES/BENEFITS PAGE B9-2	SELECTION PAGE B9-6	HOW TO ORDER/NOMENCLATURE PAGE B7-5	MODIFICATIONS/ACCESSORIES PAGE B9-36
--------------------------------	------------------------	--	---



SELECTION/DIMENSIONS

Eccentric Collar Ball Bearings SLX LIGHT DUTY 4-BOLT FLANGE BEARINGS



Series	Shaft Size	Standard	
		Part No.	Description
208	1-1/2	128192	F4B-SLX-108
	40mm	@	F4B-SLX-40M
210	1-15/16	128193	F4B-SLX-115
	2	128194	F4B-SLX-200
211	50mm	@	F4B-SLX-50M
	2	128195	F4B-SLX-200L
	2-3/16	128196	F4B-SLX-203
	55mm	@	F4B-SLX-55M

@ Assembled to order

SELECTION/DIMENSIONS



Eccentric Collar Ball Bearings SLX LIGHT DUTY 4-BOLT FLANGE BEARINGS

Eccentric Collar Ball Bearing

Setscrew VSC Ball Bearing

Eccentric SXV Collar Ball Bearing

Take-Up Frames

Engineering

Part Number Index

Keyword Index

Series	Shaft Size	Weight lbs kg	A	B	D	E	G*	J	L	R	S	T	Housing Radial Load Rating (lbs)
208	1-1/2	3.00	1.72	5.81	4.69	0.41	0.53	3.56	2.38	0.43	1.28	0.13	1,700
	40mm	1.38	43.6	147.6	119.1	10.4	13.5	90.4	60.5	11.0	32.6	3.3	7,556
210	1-15/16	3.55	1.72	6.13	5.00	0.44	0.53	4.00	2.50	0.43	1.29	0.15	1,900
	2	3.40											
	50mm	1.63	43.6	155.7	127.0	11.2	13.5	101.6	63.5	11.0	32.7	3.8	8,444
211	2	4.64	1.90	6.56	5.44	0.47	0.53	4.44	2.75	0.47	1.43	0.15	2,300
	2-3/16	4.35											
	55mm	2.14	48.3	166.6	138.2	11.9	13.5	112.8	69.9	12.0	36.4	3.8	10,222

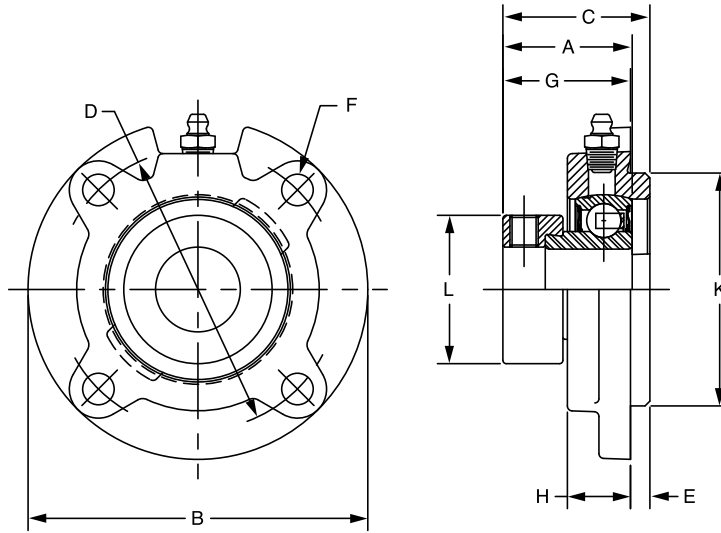
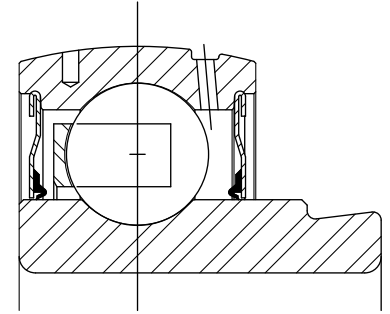
*Mounting bolt holes will accept carriage or machine bolts.

FEATURES/BENEFITS PAGE B9-2	SELECTION PAGE B9-6	HOW TO ORDER/NOMENCLATURE PAGE B7-5	MODIFICATIONS/ACCESSORIES PAGE B9-36
--------------------------------	------------------------	--	---



SELECTION/DIMENSIONS

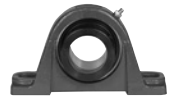
Eccentric SXV Collar Ball Bearings SXV INTERMEDIATE DUTY PILOTED FLANGE BEARINGS



Series	Shaft Size	Standard	
		Part No.	Description
206	1-1/16	@	FC-SXV-101
	1-1/8	@	FC-SXV-102
	1-3/16	@	FC-SXV-103
	1-1/4	@	FC-SXV-104S
	30mm	130788	<i>FC-SXV-30M</i>
207	1-1/4	@	FC-SXV-104
	1-5/16	@	FC-SXV-105
	1-3/8	@	FC-SXV-106
	1-7/16	062337	FC-SXV-107
	35mm	130789	<i>FC-SXV-35M</i>
208	1-1/2	@	FC-SXV-108
	40mm	130790	<i>FC-SXV-40M</i>
209	1-11/16	062339	FC-SXV-111
	1-3/4	@	FC-SXV-112
	45mm	130791	<i>FC-SXV-45M</i>
210	1-15/16	@	FC-SXV-115
	2	@	FC-SXV-200
	50mm	130792	<i>FC-SXV-50M</i>
211	2	@	FC-SXV-200L
	2-3/16	@	FC-SXV-203
	55mm	@	<i>FC-SXV-55M</i>

@ Assembled to order

SELECTION/DIMENSIONS



Eccentric SXV Collar Ball Bearings SXV INTERMEDIATE DUTY PILOTED FLANGE BEARINGS

Eccentric Collar Ball Bearing

Setscrew YSC Ball Bearing

Eccentric SXV Collar Ball Bearing

Take-Up Frames

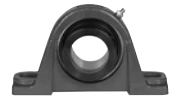
Engineering

Part Number Index

Keyword Index

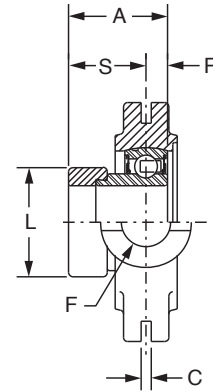
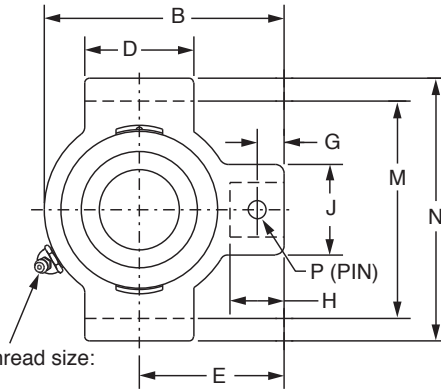
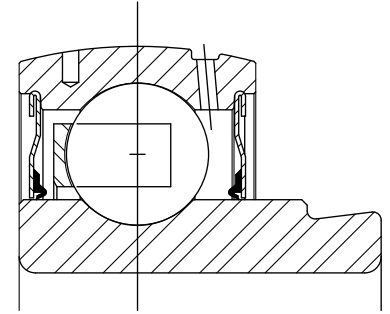
Series	Shaft Size	Weight lbs kg	A	B	C	D	E	F Bolt Dia.	G	H	K	L
206	1-1/16	3.2	1.41	4.38	1.64	3.63	0.25	3/8	1.39	0.81	3.000/2.998	1.75
	1-1/8	3.1										
	1-3/16	3.0										
	1-1/4	2.9										
	30mm	1.3	35.8	111.3	41.7	92.2	6.4	M10	35.3	20.6	76.20/76.15	44.5
207	1-1/4	4.2	1.53	5.00	1.89	4.13	0.38	3/8	1.52	0.84	3.375/3.373	2.13
	1-5/16	4.1										
	1-3/8	4.0										
	1-7/16	3.9										
	35mm	1.8	38.9	127.0	48.0	104.9	9.7	M10	38.6	21.3	85.73/85.67	54.1
208	1-1/2	4.6	1.72	5.25	2.07	4.38	0.44	7/16	1.63	0.89	3.625/3.623	2.38
	40mm	2.0	43.6	133.4	52.6	111.3	11.2	M12	41.4	22.6	92.08/92.02	60.5
209	1-11/16	5.5	1.69	5.75	2.03	4.75	0.44	1/2	1.59	0.91	4.000/3.998	2.50
	1-3/4	5.4										
	45mm	2.4	42.9	146.1	51.6	120.7	11.2	M12	40.4	23.1	101.60/101.55	63.5
210	1-15/16	6.4	1.72	6.13	2.07	5.13	0.47	1/2	1.60	0.92	4.250/4.248	2.75
	2	6.3										
	50mm	2.9	43.6	155.7	52.6	130.3	11.9	M12	40.6	23.4	107.95/107.90	69.9
211	2	7.3	1.90	6.38	2.43	5.38	0.63	1/2	1.80	1.00	4.500/4.498	3.00
	2-3/16	7.2										
	55mm	3.3	48.3	162.1	61.7	136.7	16.0	M12	45.7	25.4	114.30/114.25	76.2

FEATURES/BENEFITS PAGE B9-2	SELECTION PAGE B9-6	HOW TO ORDER/NOMENCLATURE PAGE B7-5	MODIFICATIONS/ACCESSORIES PAGE B9-36
--------------------------------	------------------------	--	---



SELECTION/DIMENSIONS

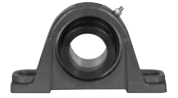
Eccentric SXV Collar Ball Bearings SXV INTERMEDIATE DUTY NARROW SLOT TAKE-UP BEARINGS



Lube fitting thread size:
1/8-27 NPT

Series	Shaft Size	Standard	
		Part No.	Description
204	3/4	131186	NSTU-SXV-012
	7/8	131187	NSTU-SXV-014
205	15/16	131188	NSTU-SXV-015
	1	131189	NSTU-SXV-100
	1-1/16	131190	NSTU-SXV-101
206	1-1/8	131191	NSTU-SXV-102
	1-3/16	131192	NSTU-SXV-103
	1-1/4	131193	NSTU-SXV-104S
	1-1/4	131194	NSTU-SXV-104
207	1-5/16	131195	NSTU-SXV-105
	1-3/8	131196	NSTU-SXV-106
	1-7/16	131197	NSTU-SXV-107
208	1-1/2	131198	NSTU-SXV-108
209	1-11/16	130340	NSTU-SXV-111
	1-3/4	130341	NSTU-SXV-112
210	1-15/16	130342	NSTU-SXV-115
	2	130343	NSTU-SXV-200
211	2	130344	NSTU-SXV-200L
	2-3/16	130345	NSTU-SXV-203

SELECTION/DIMENSIONS



Eccentric SXV Collar Ball Bearings SXV INTERMEDIATE DUTY NARROW SLOT TAKE-UP BEARINGS

Eccentric Collar Ball Bearing

Setscrew VSC Ball Bearing

Eccentric SXV Collar Ball Bearing

Series	Shaft Size	Weight lbs	Take-Up Frame Size	A	B	C	D	E	F Screw Dia.	G	H	J	L	M	N	P Pin Dia.	R	S
204	3/4	1.3	NS210	1.22	3.50	0.250	1.50	2.19	3/4	0.44	0.88	1.38	1.31	2.635/2.605	3.13	0.32	0.30	0.92
205	7/8	1.7	NS210	1.22	3.56	0.250	1.50	2.19	3/4	0.44	0.88	1.38	1.50	2.635/2.605	3.13	0.32	0.30	0.92
	15/16	1.6																
206	1	1.5	NS308	1.41	4.31	0.250	2.50	2.69	3/4	0.50	0.94	1.38	1.75	3.510/3.480	4.13	0.32	0.35	1.05
	1-1/16	2.9																
	1-1/8	2.8																
	1-3/16	2.6																
207	1-1/4	2.5	NS308	1.53	4.50	0.250	2.50	2.69	3/4	0.50	0.94	1.38	2.13	3.510/3.480	4.13	0.32	0.37	1.16
	1-1/4	2.8																
	1-5/16	2.7																
	1-3/8	2.6																
208	1-7/16	2.5	NS400	1.72	5.38	0.313	3.00	3.25	7/8	0.66	1.16	1.63	2.38	4.015/3.985	4.75	0.38	0.43	1.28
	1-1/2	4.7																
209	1-11/16	4.8	NS400	1.69	5.44	0.313	3.00	3.25	7/8	0.72	1.22	1.63	2.50	4.015/3.985	4.75	0.38	0.43	1.26
210	1-3/4	4.7	NS400	1.72	5.50	0.313	3.00	3.25	7/8	0.59	1.09	1.63	2.75	4.015/3.985	4.75	0.38	0.43	1.29
	1-15/16	4.9																
211	2	6.8	NS407	1.90	6.13	0.313	3.50	3.63	1	0.69	1.28	1.75	3.00	4.448/4.418	5.38	0.44	0.47	1.43
	2-3/16	6.8																

Take-Up Frames

Engineering

Part Number Index

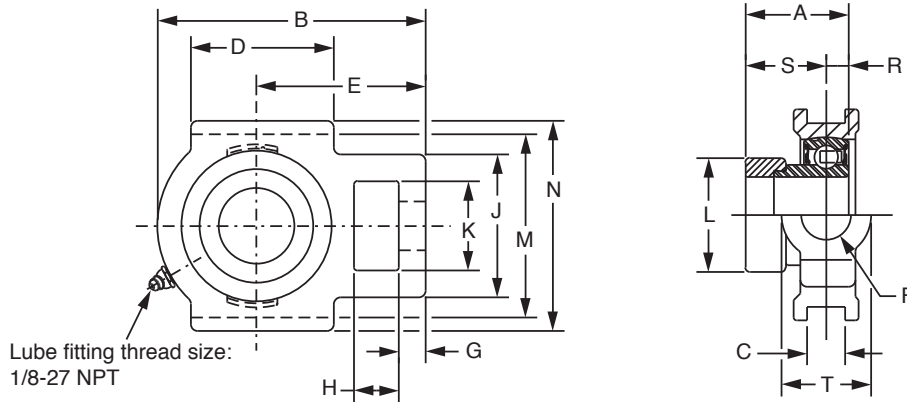
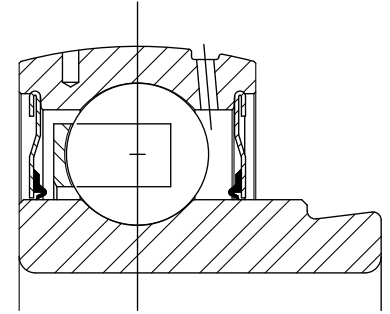
Keyword Index

FEATURES/BENEFITS PAGE B9-2	SELECTION PAGE B9-6	HOW TO ORDER/NOMENCLATURE PAGE B7-5	MODIFICATIONS/ACCESSORIES PAGE B9-36
--------------------------------	------------------------	--	---



SELECTION/DIMENSIONS

Eccentric SXV Collar Ball Bearings SXV INTERMEDIATE DUTY WIDE SLOT TAKE-UP BEARINGS



Series	Shaft Size	Standard	
		Part No.	Description
204	3/4	131238	WSTU-SXV-012
	20mm	130793	WSTU-SXV-20M
205	7/8	131239	WSTU-SXV-014
	15/16	131240	WSTU-SXV-015
	1	131241	WSTU-SXV-100
	25mm	130794	WSTU-SXV-25M
206	1-1/8	131243	WSTU-SXV-102
	1-3/16	131244	WSTU-SXV-103
	1-1/4	131245	WSTU-SXV-104S
	30mm	130795	WSTU-SXV-30M
207	1-1/4	131246	WSTU-SXV-104
	1-3/8	131248	WSTU-SXV-106
	1-7/16	131249	WSTU-SXV-107
	35mm	130796	WSTU-SXV-35M
208	1-1/2	131250	WSTU-SXV-108
	40mm	130797	WSTU-SXV-40M
209	1-11/16	130346	WSTU-SXV-111
	1-3/4	130347	WSTU-SXV-112
	45mm	130798	WSTU-SXV-45M
210	1-15/16	130348	WSTU-SXV-115
	2	130349	WSTU-SXV-200
	50mm	130799	WSTU-SXV-50M
211	2	130350	WSTU-SXV-200L
	2-3/16	130351	WSTU-SXV-203
	55mm	@	WSTU-SXV-55M

@ Assemble to order

SELECTION/DIMENSIONS

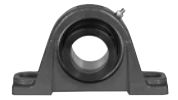


Eccentric SXV Collar Ball Bearings SXV INTERMEDIATE DUTY WIDE SLOT TAKE-UP BEARINGS

Series	Shaft Size	Weight lbs kg	Take-Up Frame Size	A	B	C*	D	E	F Screw Dia.	G	H	J	K	L	M	N	R	S	T
204	3/4	1.2	WS300	1.22	3.69	0.531	2.00	2.38	5/8	0.38	0.63	2.00	1.25	1.31	2.985/3.015	3.63	0.30	0.92	1.38
	20mm	0.5		31.0	93.7	13.49	50.8	60.5	15.9	9.7	16.0	50.8	31.8	33.3	75.82/76.58	92.2	7.6	23.4	35.1
205	7/8	1.7	WS300	1.22	3.81	0.531	2.00	2.44	5/8	0.38	0.63	2.00	1.31	1.50	2.985/3.015	3.63	0.30	0.92	1.38
	15/16	1.6		31.0	96.8	13.49	50.8	62.0	15.9	9.7	16.0	50.8	33.3	38.1	75.82/76.58	92.2	7.6	23.4	35.1
	1	1.5		25mm	0.7	31.0	96.8	13.49	50.8	62.0	15.9	9.7	16.0	50.8	33.3	38.1	75.82/76.58	92.2	7.6
206	1-1/8	2.8	WS308	1.41	4.38	0.531	2.25	2.75	3/4	0.38	0.63	2.19	1.44	1.75	3.480/3.510	4.13	0.35	1.05	1.63
	1-3/16	2.6		35.8	111.3	13.49	57.2	69.9	19.1	9.7	16.0	55.6	36.6	44.5	88.39/89.15	104.9	8.9	26.7	41.3
	1-1/4	2.5		30mm	1.2	35.8	111.3	13.49	57.2	69.9	19.1	9.7	16.0	55.6	36.6	44.5	88.39/89.15	104.9	8.9
207	1-1/4	2.8	WS308	1.53	4.87	0.531	2.50	3.06	3/4	0.50	0.63	2.50	1.44	2.13	3.480/3.510	4.13	0.37	1.16	1.63
	1-3/8	2.6		38.9	123.7	13.49	63.5	77.7	19.1	12.7	16.0	63.5	36.6	54.1	88.39/89.15	104.9	9.4	29.5	41.3
	1-7/16	2.5		35mm	1.2	38.9	123.7	13.49	63.5	77.7	19.1	12.7	16.0	63.5	36.6	54.1	88.39/89.15	104.9	9.4
208	1-1/2	4.7	WS400	1.72	5.69	0.688	3.25	3.50	1	0.63	0.75	3.25	1.94	2.38	3.985/4.015	4.50	0.43	1.28	1.94
	40mm	2.2		43.6	144.5	17.48	82.6	88.9	25.4	16.0	19.1	82.6	49.3	60.5	101.22/101.98	114.3	11.0	32.6	49.3
209	1-11/16	4.8	WS400	1.69	5.63	0.688	3.25	3.44	1	0.63	0.75	3.25	1.94	2.50	3.985/4.015	4.75	0.43	1.26	1.94
	1-3/4	4.7		42.9	143.0	17.48	82.6	87.4	25.4	16.0	19.1	82.6	49.3	63.5	101.22/101.98	120.7	10.9	32.0	49.3
210	1-15/16	4.9	WS400	1.72	5.82	0.688	3.38	3.56	1	0.63	0.75	3.25	1.94	2.50	3.985/4.015	4.75	0.43	1.29	1.94
	2	4.8		43.6	147.8	17.48	85.9	90.4	25.4	16.0	19.1	82.6	49.3	63.5	101.22/101.98	120.7	11.0	32.7	49.3
211	2	6.8	WS502	1.90	6.69	1.063	3.75	4.19	1-1/4	0.75	1.00	4.00	2.50	2.75	5.110/5.140	5.88	0.47	1.43	2.50
	2-3/16	6.6		48.3	169.9	27.00	95.3	106.4	31.8	19.1	25.4	101.6	63.5	69.9	129.79/130.56	149.4	12.0	36.4	63.5

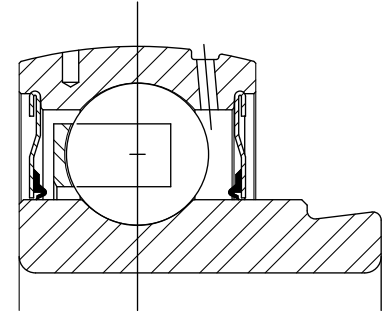
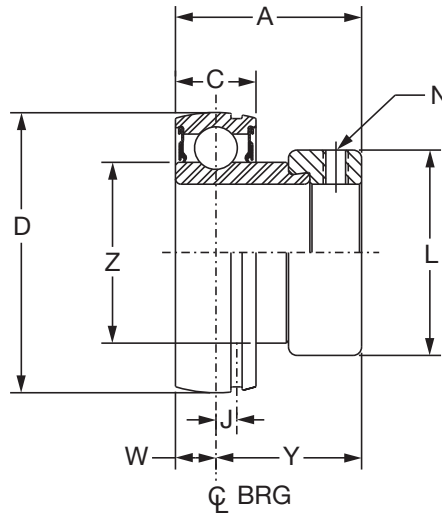
FEATURES/BENEFITS PAGE B9-2	SELECTION PAGE B9-6	HOW TO ORDER/NOMENCLATURE PAGE B7-5	MODIFICATIONS/ACCESSORIES PAGE B9-36
--------------------------------	------------------------	--	---

Eccentric Collar Ball Bearing
Setscrew VSC Ball Bearing
Eccentric SXV Collar Ball Bearing
Take-Up Frames
Engineering
Part Number Index
Keyword Index



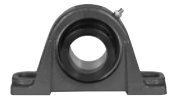
SELECTION/DIMENSIONS

Eccentric SXV Collar Ball Bearings SXV INTERMEDIATE BEARING INSERTS



Series	Shaft Size	Part No.	Description
203	1/2	130300	INS-SXV-008
	5/8	130301	INS-SXV-010
	17mm	125644	INS-SXV-17M
204	3/4	131435	INS-SXV-012
	20mm	125645	INS-SXV-20M
205	7/8	131436	INS-SXV-014
	15/16	131437	INS-SXV-015
	1	131438	INS-SXV-100
	25mm	125646	INS-SXV-25M
206	1-1/16	131439	INS-SXV-101
	1-1/8	131440	INS-SXV-102
	1-3/16	131441	INS-SXV-103
	1-1/4	131442	INS-SXV-104S
207	30mm	125647	INS-SXV-30M
	1-1/4	131443	INS-SXV-104
	1-5/16	131444	INS-SXV-105
	1-3/8	131445	INS-SXV-106
	1-7/16	131446	INS-SXV-107
208	35mm	125648	INS-SXV-35M
	1-1/2	131447	INS-SXV-108
209	40mm	125649	INS-SXV-40M
	1-11/16	130302	INS-SXV-111
	1-3/4	130303	INS-SXV-112
210	45mm	125650	INS-SXV-45M
	1-15/16	130305	INS-SXV-115
	2	130306	INS-SXV-200
	50mm	125651	INS-SXV-50M
211	2	130307	INS-SXV-200L
	2-3/16	130308	INS-SXV-203
	55mm	125652	INS-SXV-55M

SELECTION/DIMENSIONS



Eccentric SXV Collar Ball Bearings SXV INTERMEDIATE BEARING INSERTS

Series	Shaft Size	Weight lbs kg	A	C	D	J	L	N	W	Y	Z
203	1/2	0.3	1.13	0.51	1.5748	0.15	1.13	10-32	0.26	0.87	0.96
	5/8	0.3									
	17mm	0.1	28.7	13.0	40.000	3.8	28.7	M6x1	6.6	22.1	24.4
204	3/4	0.3	1.22	0.58	1.8504	0.15	1.31	1/4-28	0.30	0.92	1.12
	20mm	0.1	31.0	14.7	47.000	3.8	33.3	M6x1	7.6	23.4	28.4
205	7/8	0.5	1.22	0.59	2.0472	0.16	1.50	1/4-28	0.30	0.92	1.32
	15/16	0.4									
	1	0.4									
206	25mm	0.2	31.0	15.0	52.000	4.1	38.1	M6x1	7.6	23.4	33.5
	1-1/16	0.7	1.41	0.69	2.4409	0.16	1.75	5/16-24	0.35	1.05	1.57
	1-1/8	0.7									
207	1-3/16	0.7									
	1-1/4	0.7									
	25mm	0.3	35.8	17.5	62.000	4.1	44.5	M8x1.25	8.9	26.7	39.9
208	1-1/4	1.2	1.53	0.75	2.8346	0.20	2.13	5/16-24	0.37	1.16	1.84
	1-5/16	1.2									
	1-3/8	1.1									
209	1-7/16	1.1									
	35mm	0.5	38.9	19.1	72.000	5.1	54.1	M8x1.25	9.4	29.5	46.7
	1-1/2	1.8	1.72	0.87	3.1496	0.22	2.38	5/16-24	0.43	1.28	2.05
210	40mm	0.8	43.7	22.1	80.000	5.6	60.5	M10x1.5	10.9	32.5	52.1
	1-11/16	1.9	1.69	0.87	3.3465	0.25	2.50	5/16-24	0.43	1.26	2.22
211	1-3/4	1.8									
	45mm	0.8	42.9	22.1	85.000	6.4	63.5	M8x1.25	10.9	32.0	56.4
	1-15/16	2.0	1.72	0.87	3.5433	0.25	2.50	3/8-24	0.43	1.29	2.43
211	2	1.9									
	50mm	0.9	43.6	22.1	90.000	6.4	63.5	M10x1.5	10.9	32.7	61.7
	2	2.7	1.90	0.94	3.9370	0.25	2.75	3/8-24	0.47	1.43	2.71
211	2-3/16	2.5									
	55mm	1.2	48.3	23.9	100.000	6.4	69.9	M12x1.75	12.0	36.4	68.8

Eccentric Collar Ball Bearing

Setscrew VSC Ball Bearing

Eccentric SXV Collar Ball Bearing

Take-Up Frames

Engineering

Part Number Index

Keyword Index

FEATURES/BENEFITS PAGE B9-2	SELECTION PAGE B9-6	HOW TO ORDER/NOMENCLATURE PAGE B7-5	MODIFICATIONS/ACCESSORIES PAGE B9-36
--------------------------------	------------------------	--	---



Eccentric SXV Collar Ball Bearings

LUBRICANTS

DODGE ball bearings are factory lubricated with a lithium complex base lubricant. For applications where extreme ambient temperatures or speeds are anticipated or environmental considerations require a different lubricant, DODGE has a variety of lubricants available. Special lubricant options usually require set-up charges and premiums.

SEALS

The PROGUARD PLUS seal is a highly effective positive contact, land riding seal designed to meet the requirements for the majority of applications. For extreme contamination or high pressure wash down, flingers can be added to provide additional protection. For high speeds or where seal drag would be an impediment, a labyrinth seal is available.

AIR HANDLING

Industrial fans and blowers generally operate at high speeds with bearing requirements of long life

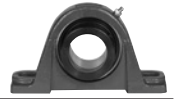
and quiet operation. Dodge stocks a complete line of SC and SCM air handling ball bearings that are specifically designed to meet the requirements of the Air Handling Industry. However SXR air handling ball bearings in a wide variety of sizes and housing configurations can be supplied on a made/assembled to order basis. These bearings are 100% inspected for quiet operation and are recommended for fan and blower operations.

OTHER MODIFICATIONS

For applications requiring modifications not listed, we encourage you to contact our Customer Order Engineering Department at (864) 284-5700 or fax (864) 281-2317.

FEATURES/BENEFITS PAGE B9-2	HOW TO ORDER/NOMENCLATURE PAGE B7-5	SELECTION PAGE B9-3	SELECTION/DIMENSIONS PAGE B9-6
--------------------------------	--	------------------------	-----------------------------------

RELATED PRODUCTS

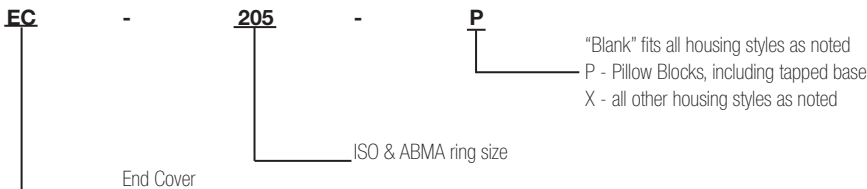


Eccentric SXV Collar Ball Bearings DODGE Ball Bearing End Covers*



- Fits all styles of DODGE cast iron housed ball bearings: Pillow Blocks, 2 and 4 Bolt Flanges, and Take-Up bearings
- Injected molded, impact resistant, OSHA safety yellow end covers meet requirements for exposed rotating shafts
- Stainless steel "C" Washer for gripping power
- No modification or machining of existing housings required
- Concentric knockout grooves on inside of end cover for thru-shaft
- DODGE six digit part number and description embossed inside
- Operating temperature to 250° F
- For non relubricable/sealed for life applications (-NL), part number 430020 hex head plug is available

Nomenclature



Series	Pillow Blocks Std, U, B	Tapped Base PB	2 Bolt Flange	Flanged Bracket	4 Bolt Flange	Piloted Flange (FC)	Narrow Slot Take-Up	Wide Slot Take-Up
203	X		X		X			
204	X	X	X		X		X	X
205	X	X	X	X	X		X	X
206	X	X	X	X	X	@	X	X
207	X	X	X	X	X	@	X	X
208	X	X	X		X	@	X	X
209	X	X	X		X	@	X	X
210	X	X	X	X	X	@	X	X
211	X	X	X		X	NA	X	X
212	X		X		X	NA	X	X
214	X				X	NA		X
215	X				X			X
216	X				X	X		X
218	X				X	X		

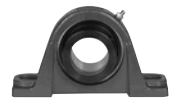
* = Will not fit LF, LFT, SCHB, HNGR & CLY

@ = Some modification required

NA = Will not fit

X = Will fit

FEATURES/BENEFITS PAGE B9-2	HOW TO ORDER/NOMENCLATURE PAGE B7-5	SELECTION PAGE B9-3	SELECTION/DIMENSIONS PAGE B9-6
--------------------------------	--	------------------------	-----------------------------------



NOTES

Eccentric Collar Ball Bearings

Setcrew VSC Ball Bearing

Eccentric SXV Collar Ball Bearing

Take-Up Frames

Engineering

Part Number Index

Keyword Index

CONTENTS



Take-Up Frames

Features / Benefits	B19-2
How To Order	B19-6
Nomenclature	B19-7
Selection/Dimensions	
Narrow Slot	B19-8
Wide Slot	B19-11
ULTRA KLEEN Stainless Steel	B19-12
Telescoping	B19-15
Top Angle	B19-20
TPHU	B19-24
Center Pull	B19-26
LD Protected Screw	B19-30
HD Protected Screw	B19-36
BRONZOIL®	B19-44
Type A & B	B19-45
Part Number Index	INDEX-1
Key Word Index	KEYWORD-1

Eccentric Collar Ball Bearing

Setscrew VSC Ball Bearing

Eccentric SXV Collar Ball Bearing

Take-Up Frames

Engineering

Part Number Index

Keyword Index

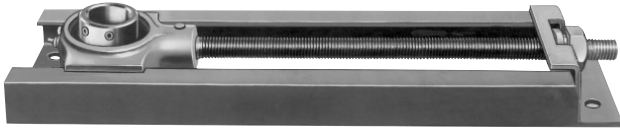


FEATURES/BENEFITS

Take-Up Frames

The flexibility of the ten basic take-up frames allow for the mounting of DODGE Ball, Roller, and Sleeve Bearings to encompass the vast range of conveyor, belt, and chain take-up applications.

Narrow Slot Take-Up Frame - NS



Five sizes of Narrow Slot Ball Bearing Take-Up Frames-Eleven (11) take-up frames with travels of 6 to 18 inches for:

- GT & GTM Narrow Slot Take-Up Bearings from 3/4" through 2-7/16" shaft size and metric 20mm to 60mm.
- SC, VSC & SCM Ball Bearing Take-Up Bearing from 1/2" through 2-7/16" shaft size, and metric 20 mm to 60 mm.
- SXV and SXR Ball Bearing Take-Up Bearing from 3/4" through 2-7/16" shaft size.
- DL Ball Bearing Take-Up Bearing from 3/4" through 1-7/16" shaft size.
- LT700 and LT1000 SOLIDLUBE Take-Up Bearing from 3/4" through 2-1/2" shaft size.

Wide Slot Take-Up Frame - WS



Six sizes of Wide Slot Ball Bearing Take-Up Frames-Thirty (30) take-up frames with travels of 1-1/2 to 30 inches for:

- GT & GTM Wide Slot Ball Bearings from 3/4" through 3" shaft size and metric 20mm to 75mm.
- SC, VSC and SCM Wide Slot Take-Up Bearings from 1/ 2" through 3" shaft size, and metric 20 mm to 75 mm.
- SXV and SXR Wide Slot Take-Up Bearings from 3/4" through 2-7/16" shaft size.
- DL Ball Bearing Take-Up Bearing from 1-7/16" through 1-15/16" shaft size.
- LT700 and LT1000 SOLIDLUBE Wide Slot Take-Up Bearing from 3/4" through 3" shaft size.

Telescoping Take-Up Frame - TS



Telescoping Take-Up Frames

- Space saving telescoping take-up frame quickly mounts to the side of a conveyor
- Use any standard ball or roller bearing 2-bolt pillow block
- Factory lubricated adjustment screw
- Internal take-up frame screw is protected from the surrounding environment
- Bearing mounting plate is standard on all Dodge telescoping take-up frames.

Available Options

- Four bolt mounting plate (4B)
- Tapped base mounting plate (TB)
- Weld-on frame (without mounting feet) (WF)
- Stainless Steel (SS)
- Grease Fitting (GF)



FEATURES/BENEFITS

Take-Up Frames

Top Angle Take-Up Frame - TP



Six sizes of Top Angle Take-Up Frames-Thirty-Six (36) Take-Up frames with travels of 12 to 48 inches for:

- GLT-700 & GLT-1000 Series (SOLIDLUBE Sleeve) Take-Up bearings from 1-15/16" through 3" shaft size.
- Type H (Babbitted Sleeve) Take-Up bearings from 1-15/16" through 3-15/16" shaft size.
- Type G (SC Ball Bearing) Take-Up bearings from 1-15/16" through 2-15/16" shaft size.
- Type GXR (SXR Ball Bearing) Take-Up bearings from 1-15/16" through 2-7/16" shaft size.
- Type GM (SCM Ball Bearing) Take-Up bearings from 1-11/16" through 3-1/2" shaft size.
- Type E (Tapered Roller) Take-Up bearings from 1-3/4" through 4" shaft size.
- Type K (Tapered Roller) Take-Up bearings from 1-3/4" through 3-15/16" shaft size.
- TP S2000 (Spherical Roller) Take-Up bearings from 1-7/8" through 4" shaft size.

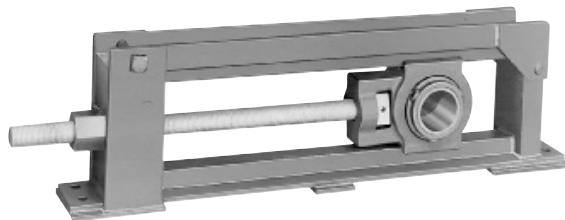
TPHU Take-Up Frame



Six sizes of TPHU Take-Up Frames-Twenty-Four (24) Take-Up frames with travels of 12 to 36 inches for:

- TPHU S-2000 (Spherical Roller) Take-Up Bearings from 1-7/8" through 5" shaft size.

Center Pull Take-Up Frame - CP



Nine sizes of Center Pull Wide Slot Take-Up Frames-Forty-five (45) take-up frames with travels of 12 to 36 inches for:

- Type E tapered wide slot bearing from 1-3/8" to 3" bore size.
- Type K tapered wide slot bearing from 1-3/8" to 3" bore size.
- S-2000 spherical wide slot bearing from 1-1/8" to 5" bore size.
- Imperial spherical wide slot bearing from 1-7/16" to 4" bore size.
- U.S. Patent No. 4,676,670



FEATURES/BENEFITS

Take-Up Frames

BRONZOIL Take-Up Frame - BOTU



One size of BRONZOIL® Sleeve Bearing Take-Up-The BRONZOIL Take-Up is recommended for light-to-medium loads and for use at moderate speeds; such as package conveyors, light material handling installations, or other similar applications.

There are 6 take-ups from 1/2" through 1" shaft size with 4 inch travel.

Light Duty Take-Up Frame - LD



Six sizes of LD Protected Screw Take-Up Frames - Forty-Five (45) take-up frames with 6 to 48 inch travel for:

- SC/SCB (Ball Bearing) pillow blocks from 1/2" through 2-15/16" bore size.
- SXR/SXRB & SXV/SXVB (Ball Bearing) pillow blocks from 1/2" through 2-7/16" bore size
- DL/DLB (Ball Bearing) pillow blocks from 3/4" through 2-15/16" bore size.
- SCM (Ball Bearing) pillow blocks from 1-7/16" through 3-1/2" bore size.
- DLM (Ball Bearing) pillow blocks from 1" through 3-7/16" bore size
- Babbitted (Sleeve) Solid Journal bearing from 1/2" through 2-15/16" bore size.
- SOLIDLUBE (Sleeve) LT700 and LT1000 Series pillow blocks from 3/4" through 3" bore size.
- SOLIDLUBE (Sleeve) LTB700 and LTB1000 Series pillow blocks from 3/4" through 2-1/2" bore size.
- UNISPHERE (Spherical Roller) two (2) bolt base pillow block from 1-7/16" through 3-1/2" bore sizes.
- Imperial (Spherical Roller) two (2) bolt base pillow block from 1-7/16" through 3-15/16" bore size.
- SCH, SCH-E SXRH, SXRH-E, DLH, DLH-E SCMH SCMHE, DLMH, DLMH-E.
- GT/GTB (Ball Bearing) pillow blocks from 1/2" through 2-15/16" bore size
- GTM (Ball Bearing) pillow blocks from 1" through 3-7/16" bore size



FEATURES/BENEFITS

Take-Up Frames

Heavy Duty Take-Up Frame - HD



Eight sizes of HD Protected Screw Take-Up Frames-Forty-One (41) take-up frames with travels from 12 to 60 inches for:

- Angle Babbitted (Sleeve) pillow blocks from 1-15/16" through 5-15/16", bore size.
- Angle Bronze Bushed (Sleeve) pillow blocks from 1-15/16" through 5-15/16", bore size.
- Type E (Taper Roller) pillow blocks from 1-1/2" through 6" bore size.
- Type K (Taper Roller) pillow blocks from 1-1/2" through 3-15/16" bore size.
- K/DI (Taper Roller) pillow blocks from 1-1/2" through 5" bore size.
- Type C (Taper Roller) pillow blocks from 1-11/16" through 5" bore size.
- Special Duty (Taper Roller) pillow blocks from 2-11/16" through 6" bore size.
- SOLIDLUBE (Sleeve) MM700 and MM1000 Series pillow blocks from 3-7/16" through 5" bore size.
- SAF-XT, TAF, ISAF, etc. (Spherical and Tapered Roller) pillow blocks from 1-15/16" through 5-1/2" bore size and larger.
- USAF, SAFS spherical pillow blocks, 2-bolt and 4-bolt from 2-7/16" through 5-1/2" bore size.
- S2000 spherical pillow blocks, 2-bolt and 4-bolt from 1-7/8" through 5" bore size.
- UNISPHERE (Spherical Roller) pillow block 2-bolt base from 1-15/16" through 4" bore sizes.
- Imperial (Spherical roller) pillow block 2-bolt and 4-bolt from 1-15/16" through 4-15/16" bore size.
- For larger bore bearings use HD600 or HD650, consult DODGE.



HOW TO ORDER

Take-Up Frames

There are two ways to specify DODGE Take-Up Frames. Most of the product offerings have part numbers with listings shown throughout this catalog. Use of part numbers ensures accurate order processing.

When part numbers are not shown, the product may be specified by description or part name. This method is used when ordering units that include modifications or options. To order by description, use the nomenclature key shown on page B19-7 and add any special instructions to the end of the description for options not covered by the nomenclature.

NOTE: All Take-Up Frames, except Bronzoil Take-Ups, are without the Take-Up Bearings. Thus, for a complete Take-Up; order a Take-Up Frame and Take-Up Bearing.

The HD Protected Screw Take-Up Frames

HD 200 through HD 350 Take-Up frames will accommodate pillow blocks on saddles which are slotted for two-bolt Pillow Blocks and may be ordered by part numbers. When using four-bolt Pillow Blocks; or on HD frames 400 and larger, please supply:

1. Bore size of pillow block
2. Type of block (Type E, Double Interlock, SAF-XT, etc.)
3. Whether pillow block is two-or four-bolt style
4. Frame Travel

Modifications:

For OEM special Take-Up Frames consult DODGE.

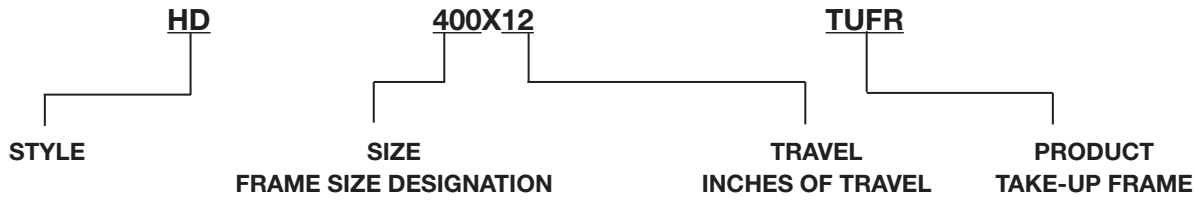
Certain modifications are available such as Stainless Steel Screw and non-standard travel lengths.

FEATURES/BENEFITS PAGE B19-2	HOW TO ORDER/NOMENCLATURE PAGE B19-7	SELECTION/DIMENSIONS PAGE B19-8
---------------------------------	---	------------------------------------



NOMENCLATURE

Take-Up Frames



CP	Center Pull Wide Slot Take-Up Frame
WS	Wide Slot Ball Bearing Take-Up Frame
WSEZ	Ultra Kleen Wide Slot Ball Bearing Take-Up Frame
NS	Narrow Slot Ball Bearing Take-Up Frame
LD	Light Duty Protected Screw Take-Up Frame
TU	Take-Up
HD	Heavy Duty Protected Screw Take-Up Frame
TP	Top Angle Take-Up Frame
TPHU	Top Angle Heavy Duty Universal Take-Up Frame
TS	Telescoping Take-Up Frame
TUA	Type A Babbitted Take-Up Bearing
TUB	Type B Babbitted Take-Up Bearing
BOTU	BRONZOIL Take-Up
FR	Frame
SSS	Stainless Steel Screw

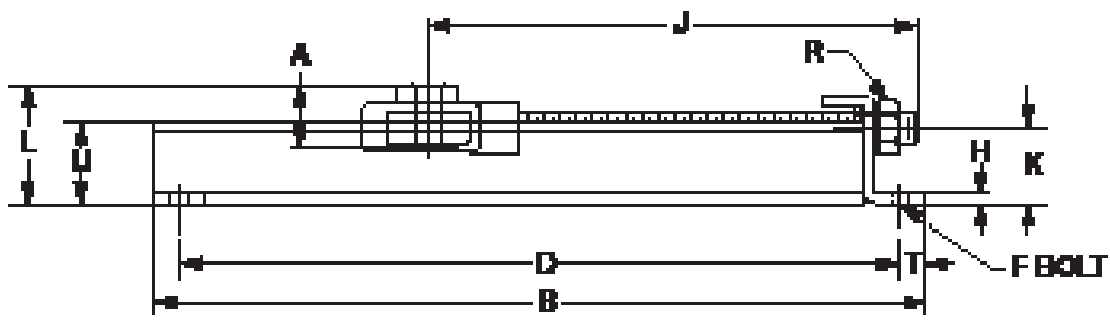
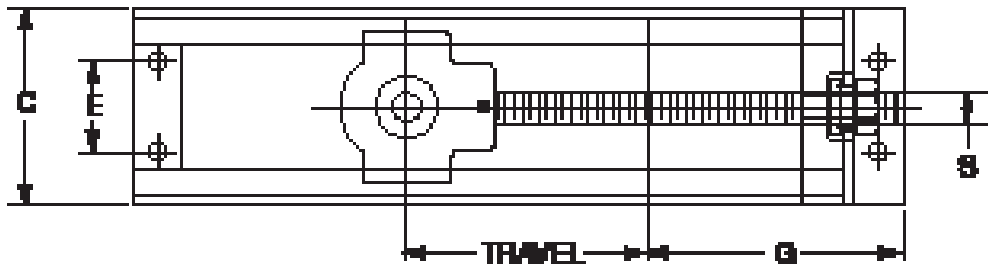
TU = Take-Up When Used As An Abbreviation Through This Section

FEATURES/BENEFITS PAGE B19-2	HOW TO ORDER/NOMENCLATURE PAGE B19-7	SELECTION/DIMENSIONS PAGE B19-8
---------------------------------	---	------------------------------------



SELECTION/DIMENSIONS

Take-Up Frames -NS NARROW SLOT BALL BEARING TAKE-UP FRAMES



Frame Description	Part No.	Wt. (Lbs.)	A	B	C	D	E	F Base Bolt		G
								No.	Dia.	
NS-210x6-TUFR	038109	5.5	See page B19-10 for list of reference pages for Take-Up Bearings	13-5/8	3-13/16	12-1/8	1-5/8	4	1/2	4-7/8
NS-308x6-TUFR	038110	5.8		13-5/8	4-11/16	12-1/8	2-1/4	4	1/2	5-3/8
NS-308x12-TUFR	038111	8.0		19-5/8	18-1/8	12-1/8	2-1/4	4	1/2	5-3/8
NS-400x6-TUFR	038112	9.2		14-9/16	13-1/16	13-1/16	2-1/2	4	1/2	6
NS-400x9-TUFR	038113	11.3		18-5/8	17-1/8	17-1/8	2-1/2			
NS-400x12-TUFR	038114	12.5		20-9/16	19-1/16	19-1/16	2-1/2	4	1/2	6
NS-400x18-TUFR	038115	16.3		27-5/8	26-1/8	26-1/8	2-1/2	4	1/2	6
NS-407x9-TUFR	038116	13.1		19-1/8	17-3/8	17-3/8	2-3/4	4	5/8	7-1/8
NS-407x18-TUFR	038117	18.6		28-1/8	26-3/8	26-3/8	2-3/4	4	5/8	7-1/8
NS-415x9-TUFR	038118	15.5		19-1/8	17-3/8	17-3/8	3	4	5/8	7-3/8
NS-415x18-TUFR	038119	19.0	28-1/8	26-3/8	26-3/8	3	4	5/8	7-3/8	

Frame Description	H	J	K	L	R Hex	S	T	U	Channel
NS-210x6-TUFR	1/4	11-1/32	1-13/32	See Table on Page B19-9 for "L" Dim.	1-5/16	3/4-10	3/4	1-1/2	1-1/2 x 9/16 x 3/16
NS-308x6-TUFR	1/4	10-13/16	1-13/32		1-5/16	3/4-10	3/4	1-1/2	1-1/2 x 9/16 x 3/16
NS-308x12-TUFR		16-13/16	1-13/32		1-5/16	3/4-10	3/4	1-1/2	1-1/2 x 9/16 x 3/16
NS-400x6-TUFR	1/4	11-1/16	1-7/8		1-1/2	7/8-9	3/4	2	2 x 1 x 3/16
NS-400x9-TUFR		14-1/16			1-1/2	7/8-9	3/4	2	2 x 1 x 3/16
NS-400x12-TUFR		17-1/16			1-1/2	7/8-9	3/4	2	2 x 1 x 3/16
NS-400x18-TUFR		23-1/16			1-1/2	7/8-9	3/4	2	2 x 1 x 3/16
NS-407x9-TUFR	5/16	15-19/32	1-7/8		1-5/8	1-8	1	2	2 x 1 x 3/16
NS-407x18-TUFR	5/16	24-19/32	1-7/8		1-5/8	1-8	1	2	2 x 1 x 3/16
NS-415x9-TUFR	5/16	15-27/32	1-7/8		1-5/8	1-8	1	2	2 x 1 x 3/16
NS-415x18-TUFR		24-27/32		1-5/8	1-8	1	2	2 x 1 x 3/16	

FEATURES/BENEFITS PAGE B19-2	HOW TO ORDER/NOMENCLATURE PAGE B19-7	SELECTION/DIMENSIONS PAGE B19-8
---------------------------------	---	------------------------------------

Eccentric Collar Ball Bearings

Setscrew WSC Ball Bearing

Eccentric SXV Collar Ball Bearing

Take-Up Frames

Engineering

Part Number Index

Keyword Index



SELECTION/DIMENSIONS

Take-Up Frames - Narrow Slot Frame L DIMENSION

Series	Shaft Size	Take Up Frame No. Ref.	L					
			SC	VSC	SXR	SXV	DL	GT
204	1/2	NS-210	2.11	2.11	2.43	2.30	2.16	2.40
	5/8							
	3/4							
205	7/8	NS-210	2.16	2.16	2.44	2.30	2.26	2.36
	15/16							
206	1	NS-308	2.32	2.32	2.57	2.43	2.36	2.97
	1-1/16							
	1-1/8							
	1-3/16							
207	1-1/4	NS-308	2.42	2.42	2.66	2.54	2.46	2.46
	1-5/16							
	1-3/8							
	1-7/16							
208	1-1/2	NS-400	3.03	3.03	3.21	3.12	3.10	3.07
	1-5/8							
209	1-5/8	NS-400	3.03	3.03	3.22	3.10	3.10	3.07
	1-11/16							
	1-3/4							
210	1-15/16	NS-400	3.03	3.03	3.34	3.10	3.10	3.07
	2							
211	2	NS-407	3.19	3.19	3.55	3.13	3.21	3.10
	2-3/16							
212	2-1/4	NS-415	3.26	N/A	3.68	N/A	3.32	3.23
	2-7/16							

Series	Shaft Size	Take Up Frame No. Ref.	L		
			SCM	DLM	GTM
206	1	NS-308	2.32	2.36	2.47
207	1-3/16	NS-308	2.42	2.46	2.46
	1-1/4				
208	1-7/16	NS-400	3.03	3.10	3.07
209	1-1/2	NS-400	3.03	3.10	3.07
	1-5/8				
210	1-11/16	NS-400	3.03	3.10	3.07
	1-3/4				
211	1-15/16	NS-407	3.19	3.21	3.10
	2				
212	2-3/16	NS-415	3.26	3.32	3.23
	2-1/4				



SELECTION/DIMENSIONS

Narrow Slot (NS) Take-Up Frame Bearings

**NORMAL DUTY
SETSCREW - SC, VSC
D-LOK - DL
ECCENTRIC LOCK - SXR, SXV
GRIP TIGHT - GT**

**MEDIUM DUTY
SETSCREW - SCM
D-LOK - DLM
GRIP TIGHT - GTM**

Series	Shaft Size	Frame Size
204	1/2	NS-210
	5/8	
	3/4	
	20mm	
205	7/8	NS-210
	15/16	
	1	
206	25mm	NS-308
	1-1/16	
	1-1/8	
	1-3/16	
	1-1/4	
207	30mm	NS-308
	1-1/4	
	1-5/16	
	1-3/8	
	1-7/16	
208	35mm	NS-400
	1-1/2	
	1-5/8	
209	40mm	NS-400
	1-5/8	
	1-11/16	
210	1-3/4	NS-400
	45mm	
	1-15/16	
211	2	NS-407
	50mm	
	2	
212	2-3/16	NS-415
	2-1/4	
	55mm	
212	2-1/4	NS-415
	2-7/16	
212	60mm	NS-415

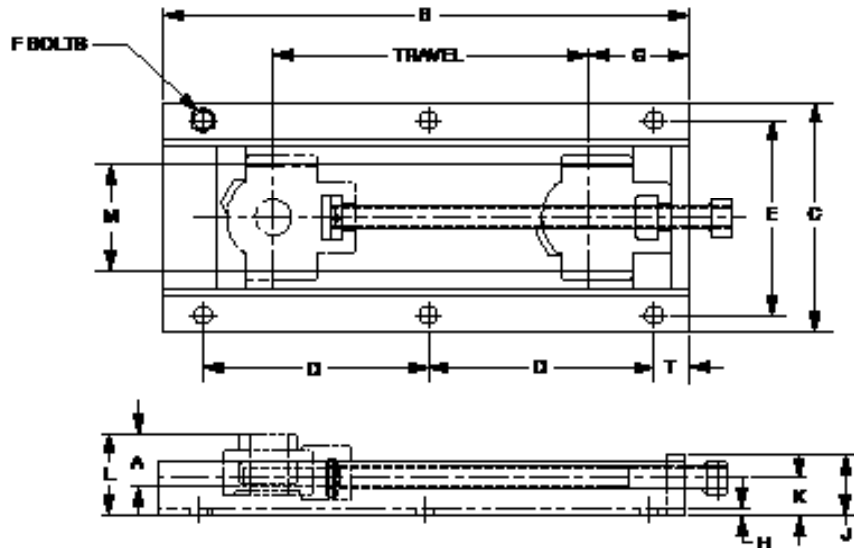
- Narrow Slot Take-Up Frames Are Not Supplied With Bearings. First Match The Take-Up Frame With The Bearing Size From This Page. Then Turn To The Page Listed For The Specific Bearing Part Number.
- Ultra Kleen (SC) - B1-32 to B1-33
- E-Z Kleen (SC) - B2-38
- Extreme Duty (SC) - B3-25 to B3-29
- Setscrew (SC, SCM & VSC) - B4-70 to B4-73
- Grip Tight (GT and GTM) - B5-50 to B5-53
- D-LOK (DL and DLM) - B6-42 to B6-45
- Eccentric Lock (SXR and SXV) - B7-32 to B7-33
- See B19-8 For Narrow Slot Take-Up Frame Travel Options And Part Numbers

Series	Shaft Size	Frame Size
206	1	NS-308
	25mm	
207	1-3/16	NS-308
	1-1/4	
208	30mm	NS-400
	1-7/16	
209	35mm	NS-400
	1-1/2	
210	40mm	NS-400
	1-11/16	
	1-3/4	
211	45mm	NS-407
	1-15/16	
212	2	NS-415
	50mm	
	2-3/16	
212	2-1/4	NS-415
	55mm	



SELECTION/DIMENSIONS

Take-Up Frames - WS WIDE SLOT BALL BEARING TAKE-UP FRAMES



Frame Description	Part No.	Wt.	A	B	C	D	E	F		G	H	J	K	M	S Screw Dia.	T
								No.	Dia.							
WS-300X1-1/2-TUFR	038200	4.8	See chart on page B19-14 for list of reference pages for Take-Up Bearings	7-1/2	6-9/16	5-3/8	5-9/16	4	7/16	2-15/16	3/16	1-3/4	1-1/16	3-1/16	5/8	1
WS-300X3-TUFR	038201	5.5		9		6-7/8		4								
WS-300X6-TUFR	038202	7		12		4-15/16		6								
WS-300X9-TUFR	038203	8.5		15		6-7/16		6								
WS-300X12-TUFR	038204	10		18		7-15/16		6								
WS-308X3-TUFR	038205	7.5	See Table on Page B19-13 for "L" Dim.	9-1/8	7-1/16	6-7/16	6-1/16	4	7/16	3-11/16	3/16	2	1-1/4	3-9/16	3/4	1
WS-308X6-TUFR	038206	9		12-1/8		9-7/16		4								
WS-308X9-TUFR	038207	10.5		15-1/8		6-7/32		6								
WS-308X12-TUFR	038208	12		18-1/8		7-23/32		6								
WS-308X18-TUFR	038209	15		24-1/8		10-23/32		6								
WS-400X3-TUFR	038210	11.5	See Table on Page B19-13 for "L" Dim.	10-3/4	8-13/16	8-1/2	7-5/16	4	1/2	4-5/16	3/16	2-1/4	1-7/16	4-1/16	1	1-1/8
WS-400X6-TUFR	038211	14		13-3/4		11-1/2		4								
WS-400X9-TUFR	038212	16.5		16-3/4		7-1/4		6								
WS-400X12-TUFR	038213	19		19-3/4		8-3/4		6								
WS-400X18-TUFR	038214	24		25-3/4		11-3/4		6								
WS-502X6-TUFR	038215	20	10-7/16	14-3/4	10-7/16	12-1/2	8-5/8	4	9/16	5-11/16	3/16	2-1/2	1-1/2	5-3/16	1-1/4	1-1/8
WS-502X9-TUFR	038216	23.5		17-3/4		15-1/2		4								
WS-502X12-TUFR	038217	27		20-3/4		9-1/4		6								
WS-502X15-TUFR	038218	30.5		23-3/4		10-3/4		6								
WS-502X18-TUFR	038219	34		26-3/4		12-1/4		6								
WS-502X24-TUFR	038220	41	32-3/4	15-1/4	6											
WS-515X9-TUFR	038221	36	12	20-7/8	12	17-1/2	10-1/4	4	5/8	6-1/2	1/4	3	2	6	1-1/2	2-1/2
WS-515X12-TUFR	038222	41		23-7/8		10-1/4		6								
WS-515X18-TUFR	038223	51		29-7/8		13-1/4		6								
WS-515X24-TUFR	038224	61		35-7/8		16-1/4		6								
WS-515X30-TUFR	038225	71		41-7/8		19-1/4		6								
WS-608X12-TUFR	038226	41	12-9/16	23-7/8	12-9/16	10-1/4	10-13/16	6	5/8	6-1/2	1/4	3	2	6-9/16	1-1/2	2-1/2
WS-608X18-TUFR	038227	51		29-7/8		13-1/4		6								
WS-608X24-TUFR	038228	61		35-7/8		16-1/4		6								
WS-608X30-TUFR	038229	71		41-7/8		19-1/4		6								

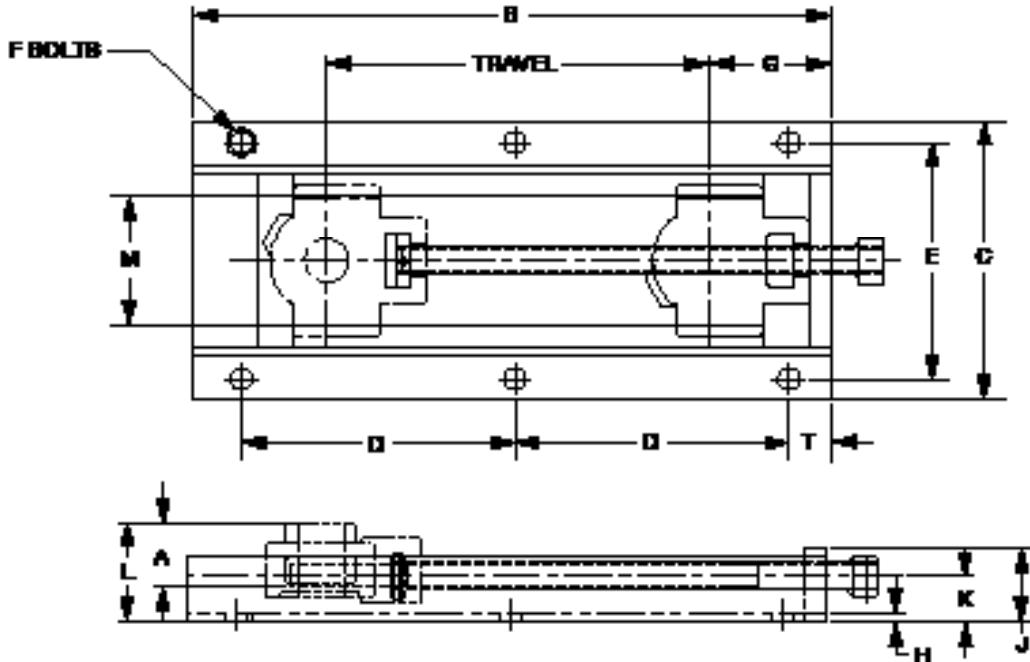
FEATURES/BENEFITS PAGE B19-2	HOW TO ORDER/NOMENCLATURE PAGE B19-7	SELECTION/DIMENSIONS PAGE B19-8
---------------------------------	---	------------------------------------



SELECTION/DIMENSIONS

Take-Up Frames - WS

ULTRA KLEEN (Stainless Steel) WIDE SLOT BALL BEARING TAKE-UP FRAME



Frame Description	Part No.	Wt.	A	B	C	D	E	F		G	H	J	K	M	S Screw Dia.	T
								No.	Dia.							
WSEZ-300X3-TUFR-SSS	038070	6	See page B2-66 to B2-71 for E-Z KLEEN Wide Slot Take-Up Bearings	9	6-9/16	6-7/8	5-9/16	4	1/2	2-15/16	3/16	1-3/4	1-1/16	3-1/16	5/8	1
WSEZ-300X6-TUFR-SSS	038071	7.9		12		4-15/16		6								
WSEZ-300X9-TUFR-SSS	038072	9.8		15		6-7/16		6								
WSEZ-300X12-TUFR-SSS	038073	11.7		18		7-15/16		6								
WSEZ-308X3-TUFR-SSS	038074	7.3	9-1/8	7-1/16	6-7/16	6-1/16	4	1/2	3-11/16	3/16	2	1-1/4	3-9/16	3/4	1	
WSEZ-308X6-TUFR-SSS	038075	9.4	12-1/8		9-7/16		4									
WSEZ-308X9-TUFR-SSS	038076	11.4	15-1/8		6-7/32		6									
WSEZ-308X12-TUFR-SSS	038077	13.4	18-1/8		7-23/32		6									
WSEZ-308X18-TUFR-SSS	038078	17.4	24-1/8	10-23/32	6											
WSEZ-400X3-TUFR	038060	11.5	See Table on Page B19-13 for "L" Dim.	10-3/4	8-13/16	8-1/2	7-5/16	4	1/2	4-5/16	3/16	2-1/4	1-7/16	4-1/16	1	1-1/8
WSEZ-400X6-TUFR	038061	14		13-3/4		11-1/2		4								
WSEZ-400X9-TUFR	038062	16.5		16-3/4		7-1/4		6								
WSEZ-400X12-TUFR	038063	19		19-3/4		8-3/4		6								
WSEZ-400X18-TUFR	038064	24		25-3/4		11-3/4		6								

See table on page B19-13 for "L" dimension.

FEATURES/BENEFITS PAGE B19-2	HOW TO ORDER/NOMENCLATURE PAGE B19-7	SELECTION/DIMENSIONS PAGE B19-8
---------------------------------	---	------------------------------------



SELECTION/DIMENSIONS

Take-Up Frames - Wide Slot Frame L DIMENSION

Series	Shaft Size	Take Up Frame No. Ref.	L				
			VSC SC	SXR	SXV	DL	GT
204	1/2	WS-300	1.79	2.11	1.98	1.84	2.08
	5/8						
	3/4						
205	7/8	WS-300	1.84	2.12	1.98	1.94	2.04
	15/16						
206	1	WS-308	2.19	2.44	2.30	2.23	2.34
	1-1/16						
	1-1/8						
	1-3/16						
207	1-1/4	WS-308	2.29	2.53	2.41	2.33	2.33
	1-5/16						
	1-3/8						
	1-7/16						
208	1-1/2	WS-400	2.63	2.81	2.72	2.70	2.67
	1-5/8						
209	1-5/8	WS-400	2.63	2.786	2.70	2.70	3.67
	1-11/16						
	1-3/4						
210	1-15/16	WS-400	2.63	2.94	2.70	2.70	2.67
	2						
211	2	WS-502	2.85	3.21	2.79	2.87	2.76
	2-3/16						
	2-1/4						
212	2-1/4	WS-502	2.91	3.34	N/A	2.98	2.89
	2-7/16						
214	2-1/2	WS-515	3.48	N/A	N/A	3.54	3.55
	2-11/16						
215	2-15/16	WS-515	3.47	4.16	N/A	3.58	3.60

Series	Shaft Size	Take Up Frame No. Ref.	L		
			SCM	DLM	GTM
206	1	WS-308	2.19	2.23	2.34
207	1-3/16	WS-308	2.29	2.33	2.33
	1-1/4				
208	1-7/16	WS-400	2.63	2.70	2.67
209	1-1/2	WS-400	2.63	2.70	2.67
210	1-11/16	WS-400	2.63	2.70	2.67
	1-3/4				
211	1-15/16	WS-502	2.85	2.87	2.76
	2				
212	2-3/16	WS-502	2.91	2.98	2.89
	2-1/4				
214	2-7/16	WS-515	3.48	3.54	3.55
	2-1/2				
215	2-11/16	WS-515	3.47	3.58	3.60
216	2-15/16	WS-608	3.50	3.74	3.81



SELECTION/DIMENSIONS

Wide Slot (WS) Take-Up Frame Bearings

NORMAL DUTY SETSCREW - SC, VSC D-LOK - DL ECCENTRIC LOCK - SXR, SXV GRIP TIGHT - GT

Series	Shaft Size	Frame Size
204	1/2	WS-300
	5/8	
	3/4	
	20mm	
205	7/8	WS-300
	15/16	
	1	
	25mm	
206	1-1/16	WS-308
	1-1/8	
	1-3/16	
	1-1/4	
	30mm	
207	1-1/4	WS-308
	1-5/16	
	1-3/8	
	1-7/16	
208	35mm	WS-400
	1-1/2	
	1-5/8	
209	40mm	WS-400
	1-5/8	
	1-11/16	
210	1-3/4	WS-400
	45mm	
	1-15/16	
211	2	WS-502
	50mm	
211	2	WS-502
	2-3/16	
	2-1/4	
212	55mm	WS-502
	2-1/4	
212	2-7/16	WS-502
	60mm	
	2-1/2	
214	2-11/16	WS-515
	70mm	
215	2-15/16	WS-515
	75mm	

- Wide Slot Take-Up Frames Are Not Supplied With Bearings. First Match The Take-Up Frame With The Bearing Size From This Page. Then Turn To The Page Listed For The Specific Bearing Part Number.
- Ultra Kleen (SC) - B1-28 to B1-31
- EZ-Kleen Polymer Housing - B2-66 to B2-71 and B2-39
- Extreme Duty (SC) - B3-30 to B3-37
- Setscrew (SC, SCM & VSC) - B4-74 to B4-81
- Grip Tight (GT & GTM) - B5-54 to B5-59
- D-LOK (DL and DLM) - B6-46 to B6-49
- Eccentric Lock (SXR and SXV) - B7-34 to B7-35
- See B19-11 For Wide Slot Take-Up Frame Travel Options And Part Numbers

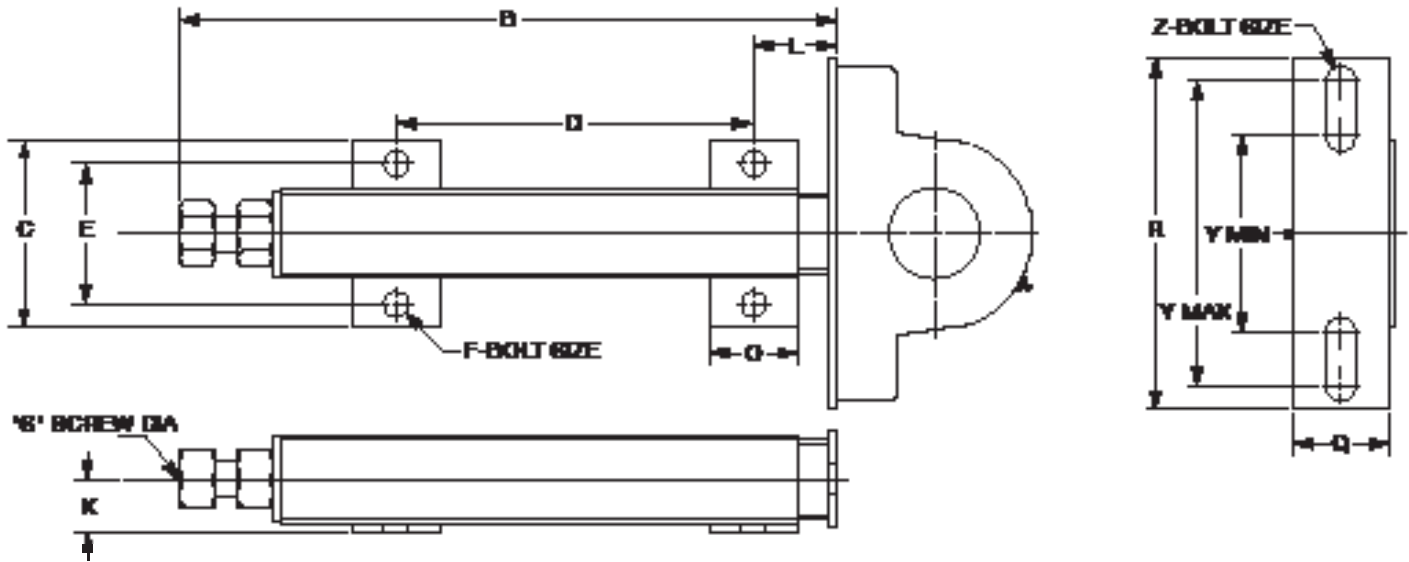
MEDIUM DUTY SETSCREW - SCM, VSC D-LOK - DLM GRIP TIGHT - GTM

Series	Shaft Size	Frame Size
206	1	WS-308
	25mm	
207	1-3/16	WS-308
	1-1/4	
	30mm	
208	1-7/16	WS-400
	35mm	
209	1-1/2	WS-400
	40mm	
210	1-11/16	WS-400
	1-3/4	
	45mm	
211	1-15/16	WS-502
	2	
212	50mm	WS-502
	2-3/16	
	2-1/4	
214	55mm	WS-515
	2-7/16	
215	2-1/2	WS-515
	70mm	
216	2-11/16	WS-515
	70mm	
	2-15/16	
216	3	WS-608
	75mm	



SELECTION/DIMENSIONS

Telescoping (TS) Take-Up Frame



Frame Size	Travel	Part No.	Wt. (lbs.)	B	C	D		E	F Bolt Dia.	K	L	O	Q	R	S Scr. Dia.	Y		Z Bolt Dia.
						Min.	Max.									Min.	Max.	
TS-100	3	089782	3	7.94	3.69	3.56	-	2.63	1/2	0.88	1.50	1.50	1.50	6.38	5/8	2.94	5.44	1/2
TS-100	6	089783	4	11.44	3.69	7.06	-	2.63	1/2	0.88	1.50	1.50	1.50	6.38	5/8	2.94	5.44	1/2
TS-100	9	089784	5	15.44	3.69	11.06	-	2.63	1/2	0.88	1.50	1.50	1.50	6.38	5/8	2.94	5.44	1/2
TS-250	3	089785	5	9.75	4.00	4.38	-	3.00	1/2	1.13	1.88	2.00	2.00	7.00	3/4	3.81	5.69	5/8
TS-250	6	089786	7	12.75	4.00	7.38	-	3.00	1/2	1.13	1.88	2.00	2.00	7.00	3/4	3.81	5.69	5/8
TS-250	9	089787	8	15.75	4.00	10.38	-	3.00	1/2	1.13	1.88	2.00	2.00	7.00	3/4	3.81	5.69	5/8
TS-250	12	089788	9	18.75	4.00	13.38	-	3.00	1/2	1.13	1.88	2.00	2.00	7.00	3/4	3.81	5.69	5/8
TS-300	6	089789	16	15.63	5.25	6.13	-	4.00	5/8	1.50	2.38	2.50	2.75	10.00	1	5.56	8.69	3/4
TS-300	9	089790	18	18.63	5.25	10.13	-	4.00	5/8	1.50	2.38	2.50	2.75	10.00	1	5.56	8.69	3/4
TS-300	12	089791	21	21.63	5.25	14.13	-	4.00	5/8	1.50	2.38	2.50	2.75	10.00	1	5.56	8.69	3/4
TS-300	18	089792	26	27.63	5.25	21.13	-	4.00	5/8	1.50	2.38	2.50	2.75	10.00	1	5.56	8.69	3/4
TS-350	9	089793	24	19.56	5.75	12.63	13.00	4.50	5/8	1.75	2.50	2.50	3.00	12.00	1	5.56	9.75	3/4
TS-350	12	089794	28	22.56	5.75	15.63	16.00	4.50	5/8	1.75	2.50	2.50	3.00	12.00	1	5.56	9.75	3/4
TS-350	18	089795	35	28.56	5.75	21.63	22.00	4.50	5/8	1.75	2.50	2.50	3.00	12.00	1	5.56	9.75	3/4
TS-350	24	089796	43	34.56	5.75	27.63	28.00	4.50	5/8	1.75	2.50	2.50	3.00	12.00	1	5.56	9.75	3/4
TS-400	12	089797	50	29.75	7.50	20.00	-	5.50	3/4	2.13	3.50	3.50	3.50	14.00	1-1/2	8.50	11.75	7/8
TS-400	18	089798	60	35.75	7.50	26.00	-	5.50	3/4	2.13	3.50	3.50	3.50	14.00	1-1/2	8.50	11.75	7/8
TS-400	24	089799	70	41.75	7.50	32.00	-	5.50	3/4	2.13	3.50	3.50	3.50	14.00	1-1/2	8.50	11.75	7/8
TS-400	36	089800	90	53.75	7.50	44.00	-	5.50	3/4	2.13	3.50	3.50	3.50	14.00	1-1/2	8.50	11.75	7/8
TS-400	48	089801	110	65.75	7.50	56.00	-	5.50	3/4	2.13	3.50	3.50	3.50	14.00	1-1/2	8.50	11.75	7/8
TS-500	18	089802	210	43.88	11.50	31.00	-	9.00	1	3.50	3.88	3.88	7.00	20.00	2	Drilled to Order	Drilled to Order	Drilled to Order
TS-500	24	089803	240	49.88	11.50	37.00	-	9.00	1	3.50	3.88	3.88	7.00	20.00	2	Drilled to Order	Drilled to Order	Drilled to Order
TS-500	36	089804	290	61.88	11.50	49.00	-	9.00	1	3.50	3.88	3.88	7.00	20.00	2	Drilled to Order	Drilled to Order	Drilled to Order

Dimensions in inches



SELECTION/DIMENSIONS

Telescoping (TS) Take-Up Frame Bearings

NORMAL DUTY
SETSCREW - SC, VSC
D-LOK - DL
ECCENTRIC LOCK - SXR, SXV
GRIP TIGHT - GT

Series	Shaft Size	Frame Size
204	1/2	TS-100
	5/8	
	3/4	
	20mm	
205	7/8	TS-100
	15/16	
	1	
206	1-1/16	TS-250
	1-1/8	
	1-3/16	
	1-1/4	
	30mm	
207	1-1/4	TS-250
	1-5/16	
	1-3/8	
	1-7/16	
208	1-1/2	TS-250
	1-5/8	
	40mm	
209	1-5/8	TS-250
	1-11/16	
	1-3/4	
210	45mm	TS-300
	1-15/16	
211	2	TS-300
	50mm	
	2	
212	2-3/16	TS-300
	2-1/4	
	55mm	
214	2-1/4	TS-300
	2-7/16	
	60mm	
214	2-1/2	TS-300
	2-11/16	
215	70mm	TS-350 or TS-400
	2-15/16	
215	75mm	TS-350 or TS-400

- Telescoping Take-Up Frames Are Not Supplied With Bearings. First Match The Take-Up Frame With The Bearing Size From This Page. Then Turn To The Page Listed For The Specific Bearing Part Number.
- EZ-KLEEN Polymer Housing - B2-66 to B2-71
- Grip Tight (GT & GTM) - B5-54 to B5-59
- Setscrew (SC, SCM & VSC) - B8-20 to B8-23
- Eccentric Lock (SXR and SXV) - B7-34 to B7-35
- D-LOK (DL and DLM) - B6-46 to B6-49
- See B19-15 For Telescoping (TS) Take-Up Frame Travel Options And Part Numbers

MEDIUM DUTY
SETSCREW - SCM, VSC
D-LOK - DLM
GRIP TIGHT - GTM

Series	Shaft Size	Frame Size
206	1	TS-250
	25mm	
207	1-3/16	TS-250
	1-1/4	
208	30mm	TS-250
	1-7/16	
209	35mm	TS-250
	1-1/2	
210	40mm	TS-300
	1-11/16	
210	1-3/4	TS-300
	45mm	
211	1-15/16	TS-300
	2	
212	50mm	TS-300
	2-3/16	
214	2-1/4	TS-300
	55mm	
214	2-7/16	TS-300
	2-1/2	
215	2-11/16	TS-350
	70mm	
216	2-15/16	TS-350 or TS-400
	3	
216	75mm	TS-350 or TS-400



SELECTION/DIMENSIONS

Telescoping (TS) Take-Up Frame Bearings

TAPERED ROLLER BEARINGS

Type E		Type K Double Interlock		TAF	
Shaft Size	Frame Size	Shaft Size	Frame Size	Shaft Size	Frame Size
1-3/16 to 1-1/4	TS-250	1-1/2 to 2-3/16	TS-300	2-7/16 to 2-1/2	TS-400
1-3/8 to 2-3/16	TS-300	2-1/4 to 2-1/2	TS-350	2-15/16 to 3	TS-400
1-1/2 to 2-3/16	TS-300	2-11/16 to 3	TS-400	3-7/16 to 4	TS-500
2-1/4 to 2-1/2	TS-350	3-3/16 to 3-1/2	TS-500	4-7/16 to 5	TS-500
2-11/16 to 3	TS-400	3-15/16 to 4-1/2	TS-500		
3-3/16 to 3-1/2	TS-400	4-15/16 to 5	TS-500		
3-15/16 to 5	TS-500				

- Type K - B10-40
- Type E - B10-22
- DOUBLE INTERLOCK - B10-50
- TAF - B10-58
- See B19-15 For Telescoping (TS) Take-Up Frame Travel Options and Part Numbers



SELECTION/DIMENSIONS

Telescoping (TS) Take-Up Frame Bearings

UNITIZED SPHERICAL ROLLER BEARINGS

Imperial - IP

Shaft Size	Frame Size
1-1/8 to 1-1/2	TS-250
1-5/8 to 2-1/4	TS-300
2-3/8 to 2-1/2	TS-350
2-11/16 2-3/4 2-15/16 3	TS-350
3-3/16 3-1/4 3-7/16 3-1/2	TS-400
3-11/16 3-15/16 4 4-7/16 4-1/2	TS-500
4-15/16 5	TS-500

S-2000

Shaft Size	Frame Size
1-3/8 1-7/16 1-1/2	TS-250
1-11/16 1-3/4 1-15/16 2 2-3/16	TS-300
2-7/16	TS-350
2-11/16	TS-350
2-15/16 3	TS-350
3-7/16	TS-400
3-15/16 4-7/16	TS-500
4-15/16	TS-500

UNISPHERE II

Shaft Size	Frame Size
1-7/16 1-1/2 1-11/16 1-3/4	
1-15/16 2 2-3/16 2-7/16 2-1/2	TS-300
2-11/16 2-3/4 2-15/16 3	TS-350
3-7/16 3-1/2	TS-400
3-15/16 4	TS-400 or TS-500

IMPERIAL & S2000 With Type E Dimensions

Shaft Size	Frame Size
1-3/16 to 1-1/4	TS-250
1-3/8 to 2-3/16	TS-300
2-1/4 to 2-1/2	TS-350
2-11/16 to 3	TS-400
3-3/16 to 3-1/2	TS-400
3-15/16 to 5	TS-500

- S-2000 - B12-14 to B12-25
- IMPERIAL - B14-30 to B14-37
- UNISPHERE - B13-12 to B3-13
- See B19-15 For Telescoping (TS) Take-Up Frame Travel Options and Part Numbers



SELECTION/DIMENSIONS

Telescoping (TS) Take-Up Frame Bearings

UNIFIED SPHERICAL ROLLER BEARINGS

USAF-500

SAF-XT

SAFS

ISAF

Shaft Size	Frame Size
1-15/16	TS-300 or TS-350
2-3/16	TS-400
2-7/16 to 3	TS-400
3-3/16	TS-500
3-7/16 to 3-1/2	TS-500
3-15/16 to 4-1/2	TS-500
4-15/16	TS-500

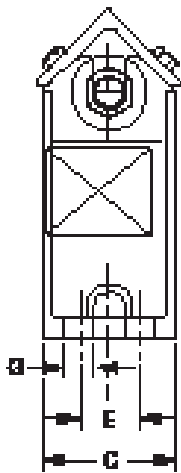
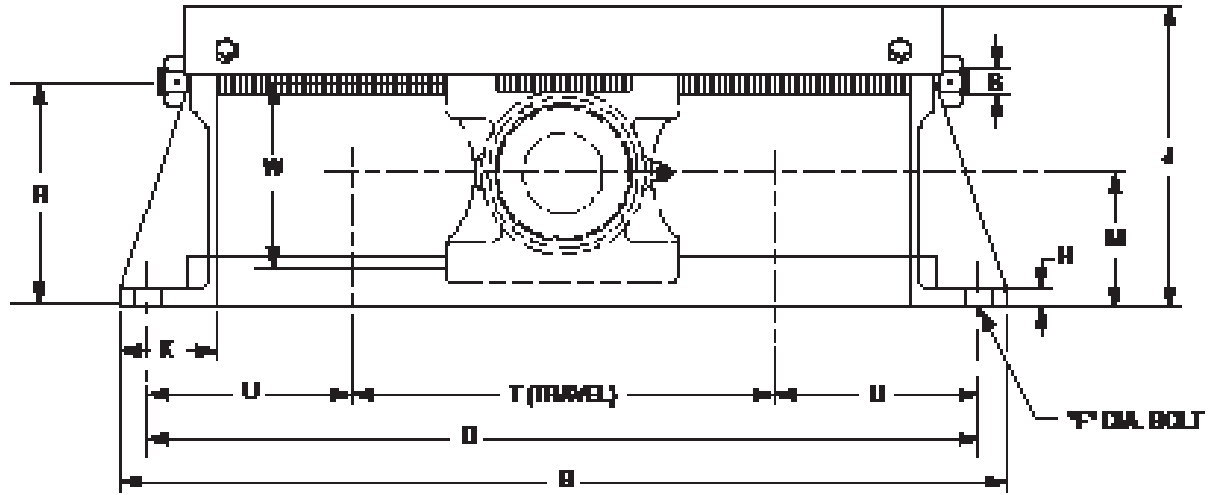
- IMPERIAL - B14-52 to B14-57
- USAF-500 - B15-78 to B15-81
- SAF-XT - B15-64 to B15-74
- SAFS - B15-61 to B15-63
- See B19-15 For Telescoping (TS) Take-Up Frame Travel Options and Part Numbers

FEATURES/BENEFITS PAGE B19-2	HOW TO ORDER/NOMENCLATURE PAGE B19-7	SELECTION/DIMENSIONS PAGE B19-8
---------------------------------	---	------------------------------------



SELECTION/DIMENSIONS

Take-Up Frames - TP TOP ANGLE PROTECTED SCREW TAKE-UP FRAMES



Eccentric Collar Ball Bearings

Setcrew VSC Ball Bearing

Eccentric SXV Collar Ball Bearing

Take-Up Frames

Engineering

Part Number Index

Keyword Index

FEATURES/BENEFITS PAGE B19-2	HOW TO ORDER/NOMENCLATURE PAGE B19-7	SELECTION/DIMENSIONS PAGE B19-8
---------------------------------	---	------------------------------------



SELECTION/DIMENSIONS

Take-Up Frames - TP TOP ANGLE PROTECTED SCREW TAKE-UP FRAMES

Frame Size	Nominal Travel	Part No.	Wt.	B	C	D	E	F Bolt Dia.	G	H
TP10	12	036350	32	28-1/2		26-1/2				
	18	036351	36	34-1/2	3-1/2	32-1/2	-	5/8	1	3/4
	24	036352	41	40-1/2		38-1/2				
TP20	12	036353	34	29-1/2		27-1/2				
	18	036354	39	35-1/2	3-1/2	33-1/2	-	5/8	1	3/4
	24	036355	43	41-1/2		39-1/2				
TP30	12	036356	47	30-1/2		28-1/2				
	18	036357	54	36-1/2	4	34-1/2	-	3/4	1-5/16	3/4
	24	036358	60	42-1/2		40-1/2				
TP40	12	036359	52	32-1/2		30-1/2				
	18	036360	60	38-1/2	4-1/2	36-1/2	2	5/8	1	3/4
	24	036361	66	44-1/2		42-1/2				
TP50	12	036362	63	34-1/2		32				
	18	036363	70	40-1/2	4-1/2	38	2	3/4	1	3/4
	24	036364	79	46-1/2		44				
TP60	12	036365	84	38-1/2		36				
	18	036366	92	44-1/2	5-1/2	42	2-1/2	3/4	1	3/4
	24	036367	102	50-1/2		48				

Frame Size	Nominal Travel	Part No.	J	K	M	R	S Screw Dia.	T	U	W
TP10	12	036350		3				14-1/2		
	18	036351	8-1/2	3	3-15/16	6-11/32	3/4	20-1/2	6	5-5/32
	24	036352		3				26-1/2		
TP20	12	036353		3				15		
	18	036354	9-1/8	3	4-3/16	6-31/32	3/4	21	6-1/4	5-25/32
	24	036355		3				27		
TP30	12	036356		3-1/2				14-1/2		
	18	036357	10-1/8	3-1/2	4-3/8	7-3/8	1	20-1/2	7	6-3/16
	24	036358		3-1/2				26-1/2		
TP40	12	036359		3-1/2				15-1/2		
	18	036360	11-1/16	3-1/2	4-15/16	8-3/8	1	21-1/2	7-1/2	7-3/16
	24	036361		3-1/2				27-1/2		
TP50	12	036362		4				15		
	18	036363	12-1/2	4	5-7/16	9-13/32	1-1/4	21	8-1/2	8-7/32
	24	036364		4				27		
TP60	12	036365		4-1/2				16-1/2		
	18	036366	14-1/4	4-1/2	7	11-11/32	1-1/4	22-1/2	9-5/8	8-29/32
	24	036367		4-1/2				28-1/2		

FEATURES/BENEFITS PAGE B19-2	HOW TO ORDER/NOMENCLATURE PAGE B19-7	SELECTION/DIMENSIONS PAGE B19-8
---------------------------------	---	------------------------------------



SELECTION/DIMENSIONS

Top Angle (TP) Take-Up Frame Bearings

BALL BEARINGS

**NORMAL DUTY
SETSCREW - G
D-LOK - DL
ECCENTRIC LOCK - GXR
GRIP TIGHT-GT**

Series	Shaft Size	Frame Size
210	1-15/16 2	TP-10
211	2-3/16 2-1/4	TP-20
212	2-7/16	TP-30
215	2-15/16	TP-40

- Top Angle Take-Up Frames Are Not Supplied With Bearings. First Match The Take-Up Frame With The Bearing Size From This Page. Then Turn To The Page Listed For The Specific Bearing Part Number.
- Grip Tight (GT & GTM) - B5-60 to B5-61
- Setscrew (G, & GM) - B4-80 to B4-81
- Eccentric Lock (GXR) - B7-36
- D-LOK (DL and DLM) - B6-50 to B6-51
- See B19-21 For Top Angle Take-Up Frame Travel Options And Part Numbers.

**MEDIUM DUTY
SETSCREW - GM
D-LOK - DLM
GRIP TIGHT - GTM**

Series	Shaft Size	Frame Size
210	1-11/16 1-3/4	TP-10
211	1-15/16 2	TP-20
212	2-3/16 2-1/4	TP-30
214	2-7/16 2-1/2	TP-40
215	2-11/16	TP-40
216	2-15/16 3	TP-50
218	3-7/16 3-1/2	TP-60

TAPERED ROLLER BEARINGS

TYPE E

Shaft Size	Frame Size
1-3/4	TP-10
1-7/8	
1-15/16 2	
2-3/16	TP-20
2-1/4	TP-30
2-7/16	
2-1/2	
2-11/16	TP-40
2-3/4	
2-15/16 3	
3-3/16	
3-1/4	TP-50
3-7/16	
3-1/2	
3-15/16 4	TP-60

- Top Angle Take-Up Frames Are Not Supplied With Bearings. First Match The Take-Up Frame With The Bearing Size From This Page. Then Turn To The Page Listed For The Specific Bearing Part Number.
- Type E - B10-73
- Type K - B10-48
- See B19-21 For Top Angle Take-Up Frame Travel Options And Part Numbers.

TYPE K

Shaft Size	Frame Size
1-3/4	TP-10
1-15/16	
2	
2-3/16	TP-20
2-1/4	TP-30
2-7/16	
2-1/2	
2-11/16	TP-40
2-3/4	
2-15/16 3	
3-3/16	
3-7/16	TP-50
3-1/2	
3-15/16	
3-15/16	TP-60



SELECTION/DIMENSIONS

Top Angle (TP) Take-Up Frame Bearings

SPHERICAL ROLLER BEARINGS

S-2000

Shaft Size	Frame Size
1-15/16 2	TP-10
2-3/16	TP-30
2-7/16	TP-40
2-11/16 2-15/16 3	TP-40
3-7/16	TP-50
3-15/16	TP-60

- Top Angle Take-Up Frames Are Not Supplied With Bearings. First Match The Take-Up Frame With The Bearing Size From This Page. Then Turn To The Page Listed For The Specific Bearing Part Number.
- S-2000- B12-10
- See B19-21 For Top Angle Take-Up Frame Travel Options And Part Numbers.

SLEEVE BEARINGS

SOLID LUBE BEARING

LT-700

LT-1000

Shaft Size	Frame Size
1-15/16 2	TP-10
2-3/16	TP-20
2-7/16 2-1/2	TP-30
2-15/16 3	TP-40

- Top Angle Take-Up Frames Are Not Supplied With Bearings. First Match The Take-Up Frame With The Bearing Size From This Page. Then Turn To The Page Listed For The Specific Bearing Part Number.
- SOLIDLUBE Sleeve Bearing (LT7 & LT10) - B17-10
- Type H Babbitted Bearing - B7-48
- See B19-21 For Top Angle Take-Up Frame Travel Options And Part Numbers.

BABBITTED BEARING

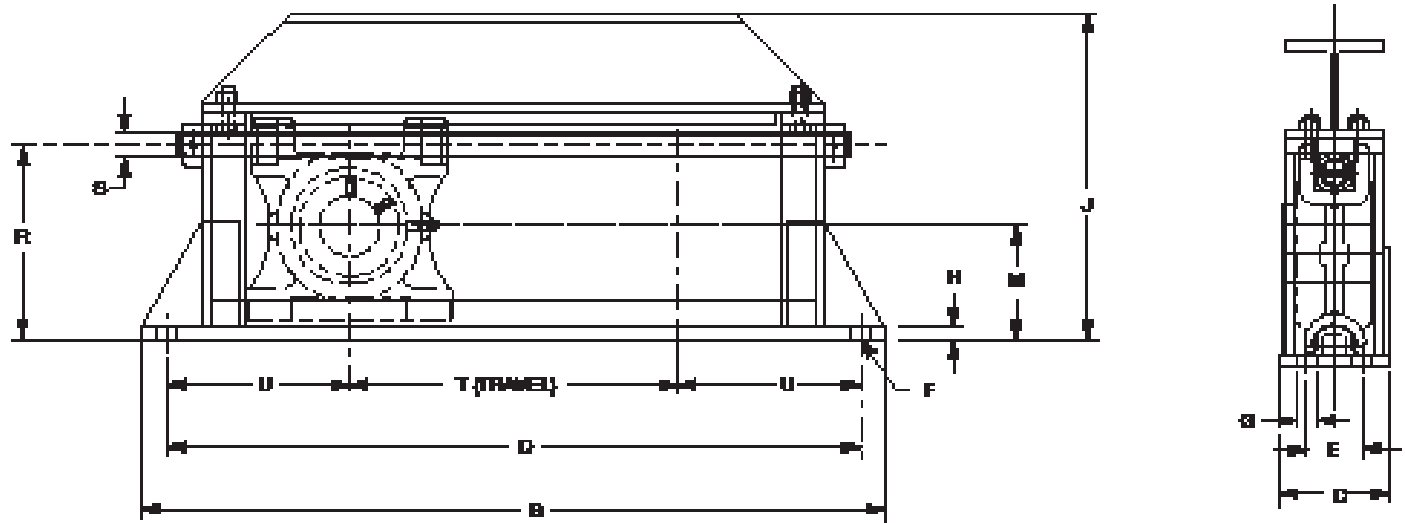
TYPE H

Shaft Size	Frame Size
1-15/16	TP-10
2-3/16	TP-10
2-7/16	TP-30
2-15/16	TP-30
3-7/16	TP-50
3-15/16	TP-50



SELECTION/DIMENSIONS

Take-Up Frames - TPHU



Shaft Size	Frame Size	Nom. Travel	Part No.	Wt.	B	C	D	E	F Bolt Dia	G
1-7/8	TPHU110	12	013497	58	29-1/2	3-1/2	27-1/2	-	5/8	11/16
1-15/16		18	013498	70	35-1/2		33-1/2			
2		24	013499	82	41-1/2		39-1/2			
2-3/16	TPHU120	12	013900	71	29-1/2	4-1/2	27-1/2	-	5/8	11/16
2-1/4		18	013901	85	35-1/2		33-1/2			
		24	013902	99	41-1/2		39-1/2			
2-3/8	TPHU130	12	013903	73	30-1/2	4-1/2	28-1/2	-	3/4	13/16
2-7/16		18	013904	86	36-1/2		34-1/2			
2-1/2		24	013905	99	42-1/2		40-1/2			
2-11/16	TPHU140	12	013906	80	32-1/2	4-1/2	30-1/2	2	5/8	11/16
2-3/4		18	013907	93	38-1/2		36-1/2			
2-15/16		24	013908	106	44-1/2		42-1/2			
3		30	013909	119	50-1/2		48-1/2			
		36	013910	132	56-1/2		54-1/2			
3-3/16	TPHU150	12	013511	91	34-1/4	4-1/2	32	2	3/4	13/16
3-1/4		18	013512	105	40-1/4		38			
3-7/16		24	013513	119	46-1/4		44			
3-1/2		30	013514	133	52-1/4		50			
		36	013515	147	58-1/4		56			
3-11/16	TPHU160	12	013916	132	38-1/2	5-1/2	36	2-1/2	3/4	13/16
3-15/16		18	013917	150	44-1/2		42			
		24	013918	168	50-1/2		48			
		30	013519	186	56-1/2		54			
		36	013520	204	62-1/2		60			

Eccentric Collar Ball Bearings
 Setscrew VSC Ball Bearing
 Eccentric SXV Collar Ball Bearing
 Take-Up Frames
 Engineering
 Part Number Index
 Keyword Index



SELECTION/DIMENSIONS

Take-Up Frames - TPHU

Shaft Size	Frame Size	Nom. Travel	Part No.	H	J	M	R	S Screw Dia.	T Max. Travel	U
1-7/8 1-15/16 2	TPHU110	12	013497	1/2	10-5/8	3-15/16	6-5/16	3/4	13-1/2	7-3/4
		18	013498						19-1/2	
		24	013499						25-1/2	
2-3/16 2-1/4	TPHU120	12	013900	1/2	11-1/4	4-7/16	7-7/16	1	13-1/2	7
		18	013901						19-1/2	
		24	013902						25-1/2	
2-3/8 2-7/16 2-1/2	TPHU130	12	013903	1/2	11-3/4	4-5/8	7-61/64	1	13-1/2	7-1/2
		18	013904						19-1/2	
		24	013905						25-1/2	
2-11/16 2-3/4 2-15/16 3	TPHU140	12	013906	3/4	12-5/16	5-1/8	8-1/2	1	15-1/2	7-1/2
		18	013907						21-1/2	
		24	013908						27-1/2	
		30	013909						33-1/2	
	36	013910	39-1/2							
3-3/16 3-1/4 3-7/16 3-1/2	TPHU150	12	013511	3/4	13-27/32	5-5/8	9-23/32	1-1/4	15-1/2	8-1/4
		18	013512						21-1/2	
		24	013513						27-1/2	
		30	013514						33-1/2	
	36	013515	39-1/2							
3-11/16 3-15/16 4	TPHU160	12	013916	1	17	7	11-5/8	1-1/4	16-1/2	9-3/4
		18	013917						22-1/2	
		24	013918						28-1/2	
		30	013519						34-1/2	
	36	013520	40-1/2							

SPHERICAL ROLLER BEARINGS

S-2000

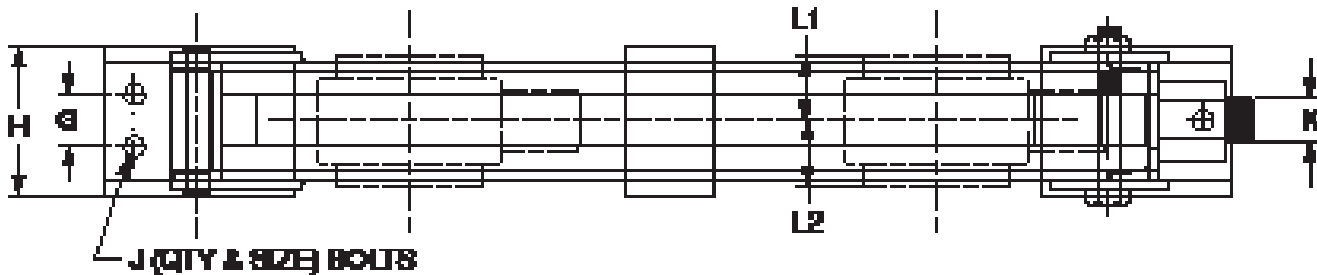
Shaft Size	Frame Size
1-15/16 2	TPHU-110
2-3/16 2-7/16	TPHU-120 TPHU-130
2-11/16 2-15/16 3	TPHU-140
3-7/16 3-15/16	TPHU-150 TPHU-160

- TPHU Take-Up Frames Are Not Supplied With Bearings. First Match The Take-Up Frame With The Bearing Size From This Page. Then Turn To The Page Listed For The Specific Bearing Part Number.
- S-2000- B12-9
- See B19-24 and B19-25 For TPHU Take-Up Frame Travel Options And Part Numbers.

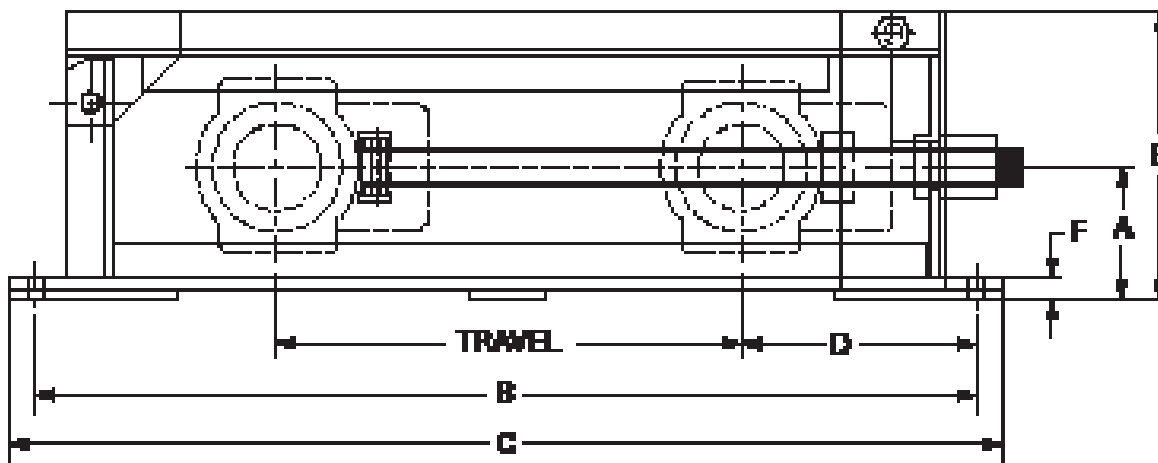


SELECTION/DIMENSIONS

Take-Up Frames - CP CENTER PULL (CP)



U.S. Patent No. 4,878,870





SELECTION/DIMENSIONS

Take-Up Frames - CP CENTER PULL (CP)

Frame Size	Travel	Frame Part Number	Frame Weight	Travel		A	B	C	D		E	F	G	H	J		K	L1 & L2
				Maximum					S2000 Imperial	Type K & E					Qty.	Size Dia.		
				S2 & IP	Type E & K													
CP308	12	019200	30	15-15/32	15-15/32	3-7/16	26	28	6	6	7	11/16	..	3	2	1/2	3/4-10NC	
CP308	18	019201	34	21-15/32	21-15/32		32	64									3/4-10NC	
CP308	24	019202	38	27-15/32	27-15/32		38	40									3/4-10NC	
CP308	30	019203	42	33-15/32	33-15/32		44	46									3/4-10NC	
CP308	36	019204	46	39-15/32	39-15/32		50	52									3/4-10NC	
CP400	12	019210	55	14-27/32	14-23/32	3-15/16	27-1/2	29-1/2	7-1/4	7-1/4	8-5/8	13/16	..	4	2	5/8	1-8NC	
CP400	18	019211	65	20-27/32	20-23/32		33-1/2	35-1/2									1-8NC	
CP400	24	019212	75	26-27/32	26-23/32		39-1/2	41-1/2									1-8NC	
CP400	30	019213	85	32-27/32	32-23/32		45-1/2	47-1/2									1-8NC	
CP400	36	019214	95	38-27/32	38-23/32		51-1/2	53-1/2									1-8NC	
CP408	12	019220	61	14-5/32	14-3/32	4-7/16	27-1/2	29-1/2	7-3/4	7-3/4	9-1/4	11/16	..	4	2	5/8	1-1/8-7NC	
CP408	18	019221	71	20-5/32	20-3/32		33-1/2	35-1/2									1-1/8-7NC	
CP408	24	019222	81	26-5/32	26-3/32		39-1/2	41-1/2									1-1/8-7NC	
CP408	30	019223	85	32-5/32	32-3/32		45-1/2	47-1/2									1-1/8-7NC	
CP408	36	019224	95	38-5/32	38-3/32		51-1/2	53-1/2									1-1/8-7NC	
CP502	12	019230	65	14-13/32	12-31/32	4-3/8	28-1/2	30-1/2	8-1/4	9-9/16	9-1/2	13/16	..	4	2	3/4	1-1/4-7NC	
CP502	18	019231	75	20-13/32	18-31/32		34-1/2	36-1/2									1-1/4-7NC	
CP502	24	019232	85	26-13/32	24-31/32		40-1/2	42-1/2									1-1/4-7NC	
CP502	30	019233	95	32-13/32	30-31/32		46-1/2	48-1/2									1-1/4-7NC	
CP502	36	019234	105	38-13/32	36-31/32		52-1/2	54-1/2									1-1/4-7NC	
CP515	12	019240	105	14-23/32	14-15/32	5-1/8	30-1/2	32-1/2	9-1/4	9-3/8	11-5/32	7/8	2	5	4	5/8	1-1/2-6NC	See Page B19-23
CP515	18	019241	120	20-23/32	20-15/32		36-1/2	38-1/2									1-1/2-6NC	
CP515	24	019242	135	26-23/32	26-15/32		42-1/2	44-1/2									1-1/2-6NC	
CP515	30	019243	150	32-23/32	32-15/32		48-1/2	50-1/2									1-1/2-6NC	
CP515	36	019244	165	38-23/32	38-15/32		54-1/2	56-1/2									1-1/2-6NC	
CP613	12	019250	115	15-1/32	-	5-5/8	32	34-1/4	9-7/8	-	12-1/16	15/16	2	5	4	3/4	1-3/4-5NC	
CP613	18	019251	135	21-1/32	-		38	40-1/4									1-3/4-5NC	
CP613	24	019252	155	27-1/32	-		44	46-1/4									1-3/4-5NC	
CP613	30	019253	175	33-1/32	-		50	52-1/4									1-3/4-5NC	
CP613	36	019254	195	39-1/32	-		56	58-1/4									1-3/4-5NC	
CP810	12	019260	185	16-9/32	-	7	36	38-1/2	12	-	14-3/4	1-3/16	2-1/2	6	4	3/4	2-4-1/2-NC	
CP810	18	019261	210	22-9/32	-		42	44-1/2									2-4-1/2-NC	
CP810	24	019262	235	28-9/32	-		48	50-1/2									2-4-1/2-NC	
CP810	30	019263	260	34-9/32	-		54	56-1/2									2-4-1/2-NC	
CP810	36	019264	285	40-9/32	-		60	62-1/2									2-4-1/2-NC	
CP908	12	019270	280	17-31/32	-	7-1/2	40-3/4	45-3/4	13-1/2	-	16-1/16	1-1/4	5	10	4	1-1/8	2-4-1/2-NC	
CP908	18	019271	310	23-31/32	-		46-3/4	51-3/4									2-4-1/2-NC	
CP908	24	019272	340	29-31/32	-		52-3/4	57-3/4									2-4-1/2-NC	
CP908	30	019273	370	35-31/32	-		58-3/4	63-3/4									2-4-1/2-NC	
CP908	36	019274	400	41-31/32	-		64-3/4	69-3/4									2-4-1/2-NC	
CP1004	12	019280	370	18-29/32	-	8-1/8	44-1/2	49-1/2	15-3/8	-	17-5/16	1-1/2	5-1/2	10	4	1-1/8	2-1/4-4-1/2-NC	
CP1004	18	019281	400	24-29/32	-		50-1/2	55-1/2									2-1/4-4-1/2-NC	
CP1004	24	019282	430	30-29/32	-		56-1/2	61-1/2									2-1/4-4-1/2-NC	
CP1004	30	019283	460	36-29/32	-		62-1/2	67-1/2									2-1/4-4-1/2-NC	
CP1004	36	019284	490	42-29/32	-		68-1/2	73-1/2									2-1/4-4-1/2-NC	

FEATURES/BENEFITS PAGE B19-2	HOW TO ORDER/NOMENCLATURE PAGE B19-7	SELECTION/DIMENSIONS PAGE B19-8
---------------------------------	---	------------------------------------



SELECTION/DIMENSIONS

Take-Up Frames - CP CENTER PULL (CP)

Frame Size	Travel	Frame Part Number	Frame Weight	Travel		Imperial		S2000		Type K		Type E	
				Maximum		L1	L2	L1	L2	L1	L2	L1	L2
				S2 & IP	Type E & K								
CP308	12	019200	30	15-15/32	15-15/32								
CP308	18	019201	34	21-15/32	21-15/32								
CP308	24	019202	38	27-15/32	27-15/32	57/64	1-47/64	53/64	1-45/64	1-1/32	1-1/2	1-1/2	1-1/2
CP308	30	019203	42	33-15/32	33-15/32								
CP308	36	019204	46	39-15/32	39-15/32								
CP400	12	019210	55	14-27/32	14-23/32								
CP400	18	019211	65	20-27/32	20-23/32								
CP400	24	019212	75	26-27/32	26-23/32	53/64	1-63/64	55/64	1-13/16	1-7/32	1-3/4	1-3/4	1-3/4
CP400	30	019213	85	32-27/32	32-23/32								
CP400	36	019214	95	38-27/32	38-23/32								
CP408	12	019220	61	14-5/32	14-3/32								
CP408	18	019221	71	20-5/32	20-3/32								
CP408	24	019222	81	26-5/32	26-3/32	59/64	2-7/64	29/32	1-63/64	1-9/32	1-7/8	1-7/8	1-7/8
CP408	30	019223	85	32-5/32	32-3/32								
CP408	36	019224	95	38-5/32	38-3/32								
CP502	12	019230	65	14-13/32	12-31/32								
CP502	18	019231	75	20-13/32	18-31/32								
CP502	24	019232	85	26-13/32	24-31/32	1-13/64	2-7/32	1-13/64	2	1-5/8	2	2	2
CP502	30	019233	95	32-13/32	30-31/32								
CP502	36	019234	105	38-13/32	36-31/32								
CP515	12	019240	105	14-23/32	14-15/32								
CP515	18	019241	120	20-23/32	20-15/32								
CP515	24	019242	135	26-23/32	26-15/32	1-7/32	2-9/32	1-3/16	2-13/32	1-5/8	2-1/4	2-1/4	2-1/4
CP515	30	019243	150	32-23/32	32-15/32								
CP515	36	019244	165	38-23/32	38-15/32								
CP613	12	019250	115	15-1/32	-								
CP613	18	019251	135	21-1/32	-								
CP613	24	019252	155	27-1/32	-	1-15/32	2-11/16	1-31/64	2-33/64	-	-	-	-
CP613	30	019253	175	33-1/32	-								
CP613	36	019254	195	39-1/32	-								
CP810	12	019260	185	16-9/32	-								
CP810	18	019261	210	22-9/32	-								
CP810	24	019262	235	28-9/32	-	1-21/32	3-3/64	1-39/64	2-55/64	-	-	-	-
CP810	30	019263	260	34-9/32	-								
CP810	36	019264	285	40-9/32	-								
CP908	12	019270	280	17-31/32	-								
CP908	18	019271	310	23-31/32	-								
CP908	24	019272	340	29-31/32	-			3-1/16	3-15/32	-	-	-	-
CP908	30	019273	370	35-31/32	-								
CP908	36	019274	400	41-31/32	-								
CP1004	12	019280	370	18-29/32	-								
CP1004	18	019281	400	24-29/32	-								
CP1004	24	019282	430	30-29/32	-			3-17/64	3-41/64	-	-	-	-
CP1004	30	019283	460	36-29/32	-								
CP1004	36	019284	490	42-29/32	-								

Eccentric Collar Ball Bearings
 Setscrew WSC Ball Bearing
 Eccentric SXV Collar Ball Bearing
 Take-Up Frames
 Engineering
 Part Number Index
 Keyword Index



SELECTION/DIMENSIONS

Center Pull Take-Up Frame Bearings

TAPERED ROLLER BEARINGS

Type E

Shaft Size	Frame Size
1-3/8 1-7/16	CP-308
1-1/2 1-5/8 1-11/16	CP-400
1-3/4 1-7/8 1-15/16 2	CP-400
2-3/16	CP-408
2-1/4 2-7/16 2-1/2	CP-502
2-11/16 2-3/4 2-15/16 3	CP-515

- Center Pull Take-Up Frames Are Not Supplied With Bearings. First Match The Take-Up Frame With The Bearing Size From This Page. Then Turn To The Page Listed For The Specific Bearing Part Number
- Type E - B10-30
- Type K - B10-46
- See B19-27 and B19-28 For Center Pull Take-Up Frame Travel Options And Part Numbers

Type K

Shaft Size	Frame Size
1-7/16	CP-308
1-15/16	CP-400
2-3/16	CP-408
2-7/16 2-1/2	CP-502
2-15/16 3	CP-515

SPHERICAL ROLLER BEARINGS

S-2000

Shaft Size	Frame Size
1-3/8 1-7/16 1-1/2	CP-308
1-11/16 1-3/4	CP-400
1-15/16 2	CP-400
2-3/16	CP-408
2-7/16	CP-502
2-11/16 2-15/16 3	CP-515
3-7/16	CP-613
3-15/16	CP-810
4-7/16	CP-908
4-15/16	CP-1004

- Center Pull Take-Up Frames Are Not Supplied With Bearings. First Match The Take-Up Frame With The Bearing Size From This Page. Then Turn To The Page Listed For The Specific Bearing Part Number
- S-2000 - B12-36 to B12-39
- IMPERIAL - B14-18 to B14-22
- See B19-27 and B19-28 For Center Pull Take-Up Frame Travel Options And Part Numbers

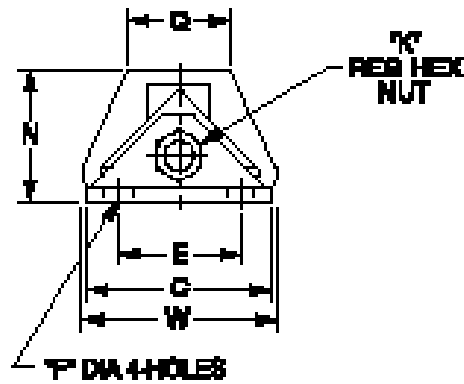
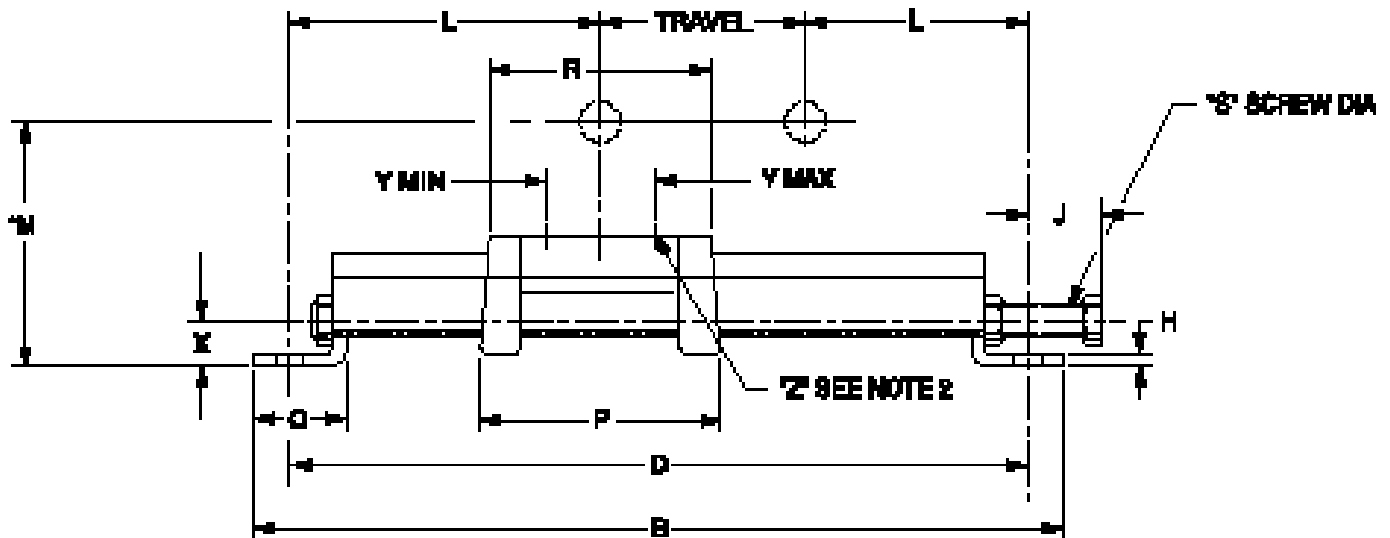
IMPERIAL - IP

Shaft Size	Frame Size
1-1/8 1-3/16 1-1/4	CP308
1-3/8 1-7/16 1-1/2 1-5/8	
1-11/16 1-3/4 1-7/8 1-15/16 2	CP-400
2-3/16 2-1/4	CP-408
2-3/8 2-7/16 2-1/2	CP-502
2-11/16 2-3/4 2-15/16 3	CP-515
3-3/16 3-1/4 3-7/16 3-1/2	CP-613
3-11/16 3-15/16 4	CP-810



SELECTION/DIMENSIONS

Take-Up Frames - LD LD PROTECTED SCREW TAKE-UP FRAMES



Eccentric Collar Ball Bearings

Setcrew VSC Ball Bearing

Eccentric SXV Collar Ball Bearing

Take-Up Frames

Engineering

Part Number Index

Keyword Index

FEATURES/BENEFITS PAGE B19-2	HOW TO ORDER/NOMENCLATURE PAGE B19-7	SELECTION/DIMENSIONS PAGE B19-8
---------------------------------	---	------------------------------------



SELECTION/DIMENSIONS

Take-Up Frames - LD LD PROTECTED SCREW TAKE-UP FRAMES

Frame Size x Travel	Part No.	Wt.	B	C	D	E	F Bolt Dia.	H	J	K	L	N	O
LD-10x6	039005	10	19-1/2	3-3/4	18	2-1/2	3/8	1/4	9/16	9/16	6	2-3/4	2-1/8
LD-10x9	039006	11	22		20-1/2						5-3/4		
LD-10x12	038910	13	25		23-1/2						5-3/4		
LD-10x18	038911	14	31		29-1/2						5-3/4		
LD-10x30	038912	16	43		41-1/2						5-3/4		
LD-10x36	038913	18	49		47-1/2						5-3/4		
LD-10x42	038914	20	55		53-1/2						5-3/4		
LD-10x48	038915	22	61		59-1/2						5-3/4		
LD-20x6	039007	12	19-1/2	3-3/4	18	2-1/2	1/2	1/4	1-3/4	9/16	6	2-19/32	2-1/8
LD-20x9	039008	13	22		20-1/2						5-3/4		
LD-20x12	039009	14	25		23-1/2						5-3/4		
LD-20x18	039010	17	33-1/2		32						7		
LD-20x24	039003	18	39-1/2		38						7		
LD-20x30	039002	20	45-1/2		44						7		
LD-20x36	039043	22	51-1/2		50						7		
LD-20x42	038916	24	57-1/2		56						7		
LD-20x48	039044	26	63-1/2	62	7								
LD-30x12	039011	18	28-1/4	3-3/4	26-3/4	2-1/2	1/2	1/4	1-3/4	9/16	7-3/8	2-11/16	2-1/8
LD-30x18	039012	21	34-1/4		32-3/4						7-3/8		
LD-30x24	039084	24	40-1/4		38-3/4						7-3/8		
LD-30x30	038917	27	46-1/4		44-3/4						7-3/8		
LD-30x36	038918	30	52-1/4		50-3/4						7-3/8		
LD-30x42	038919	33	58-1/4		56-3/4						7-3/8		
LD-30x48	038920	35	64-1/4	62-3/4	7-3/8								
LD-40x12	039013	25	28-1/4	4-3/4	26-1/2	3	5/8	5/16	1-3/4	9/16	7-1/4	3-3/16	2-1/4
LD-40x18	039014	28	34-1/4		32-1/2						7-1/4		
LD-40x24	039073	31	40-1/4		38-1/2						7-1/4		
LD-40x30	038921	34	46-1/4		44-1/2						7-1/4		
LD-40x36	038922	37	52-1/4		50-1/2						7-1/4		
LD-40x42	038923	40	58-1/4		56-1/2						7-1/4		
LD-40x48	038924	43	64-1/4	62-1/2	7-1/4								
LD-45x12	039018	50	33	5	31-1/4	3	3/4	5/16	1-9/16	11/16	9-3/4	4-1/8	2-1/2
LD-45x18	039019	55	39-1/4		37-1/2						9-3/4		
LD-45x24	039097	58	45-1/4		43-1/2						9-3/4		
LD-45x30	038925	65	51-1/4		49-1/2						9-3/4		
LD-45x36	038926	70	57-1/4		55-1/2						9-3/4		
LD-45x42	038927	75	63-1/4		61-1/2						9-3/4		
LD-45x48	038928	80	69-1/4	67-1/2	9-3/4								
LD-50x6	039004	49	27	5	25-1/4	3	3/4	5/16	1-9/16	11/16	9-5/8	4-1/8	2-1/2
LD-50x12	039015	54	33		31-1/4						9-3/4		
LD-50x18	039016	60	39-1/4		37-1/2						9-3/4		
LD-50x24	039017	65	45-1/4		43-1/2						9-3/4		
LD-50x30	038929	71	51-1/4		49-1/2						9-3/4		
LD-50x36	038930	77	57-1/4		55-1/2						9-3/4		
LD-50x42	038931	83	63-1/4		61-1/2						9-3/4		
LD-50x48	038932	90	69-1/4		67-1/2						9-3/4		

Eccentric Collar Ball Bearing

Setscrew VSC Ball Bearing

Eccentric SXV Collar Ball Bearing

Take-Up Frames

Engineering

Part Number Index

Keyword Index



SELECTION/DIMENSIONS

Take-Up Frames - LD LD PROTECTED SCREW TAKE-UP FRAMES

Frame Size x Travel	Part No.	Wt.	P	Q	R	S Screw Dia.	W	X	Y Bolt Centers		Z Bolt Dia.	Angle
									Max.	Min.		
LD-10x6	039005	10	5-7/8	1-1/2	5-3/8	3/4	3-1/4	15/16	4-3/8	2-7/8	3/8 x 1-1/2	2 x 2 x 1/4
LD-10x9	039006	11										
LD-10x12	038910	13										
LD-10x18	038911	14										
LD-10x30	038912	16										
LD-10x36	038913	18										
LD-10x42	038914	20										
LD-10x48	038915	22										
LD-20x6	039007	12	7-3/4	2-1/8	7-1/4	3/4	3-3/4	15/16	6-1/4	4-7/16	1/2 x 2-1/2	2 x 2 x 1/4
LD-20x9	039008	13										
LD-20x12	039009	14										
LD-20x18	039010	17										
LD-20x24	039003	18										
LD-20x30	039002	20										
LD-20x36	039043	22										
LD-20x42	038916	24										
LD-20x48	039044	26										
LD-30x12	039011	18	8-1/2	2-1/4	8	3/4	3-3/4	15/16	7	5-3/4	5/8 x 2-1/2	2 x 2 x 5/16
LD-30x18	039012	21										
LD-30x24	039084	24										
LD-30x30	038917	27										
LD-30x36	038918	30										
LD-30x42	038919	33										
LD-30x48	038920	35										
LD-40x12	039013	25	9-3/4	2-1/2	9-1/4	3/4	4-3/4	1-1/16	7-7/8	6-3/8	5/8 x 3	2-1/2 x 2-1/2 x 5/16
LD-40x18	039014	28										
LD-40x24	039073	31										
LD-40x30	038921	34										
LD-40x36	038922	37										
LD-40x42	038923	40										
LD-40x48	038924	43										
LD-45x12	039018	50										
LD-45x18	039019	55										
LD-45x24	039097	58										
LD-45x30	038925	65										
LD-45x36	038926	70										
LD-45x42	038927	75										
LD-45x48	038928	80										
LD-50x6	039004	49	13-1/2	3-1/2	13	1	5-7/8	1-1/4	11-1/8	7-5/8	7/8 x 4	3 x 3 x 1/2
LD-50x12	039015	54										
LD-50x18	039016	60										
LD-50x24	039017	65										
LD-50x30	038929	71										
LD-50x36	038930	77										
LD-50x48	038932	90										

Eccentric Collar Ball Bearings

Setscrew WSC Ball Bearing

Eccentric SXV Collar Ball Bearing

Take-Up Frames

Engineering

Part Number Index

Keyword Index



SELECTION/DIMENSIONS

Light Duty Take-Up Frame Bearings

BALL BEARINGS

NORMAL DUTY

SETSCREW - SC, SCU, SCB, VSC, VSCB

D-LOK - DL, DLB

ECCENTRIC LOCK - SXR, SXRU, SXR, SXV, SXVU, SXVB

GRIP TIGHT - GT

Series	Shaft Size	Frame Size
203	1/2 5/8	LD-10
204	1/2 5/8 3/4 20mm	LD-10
205	7/8 15/16 25mm	LD-10
206	1-1/16 1-1/8 1-3/16 1-1/4 30mm	LD-20
207	1-1/4 1-5/16 1-3/8 1-7/16 35mm	LD-20
208	1-1/2 1-5/8 40mm	LD-20
209	1-5/8 1-11/16 1-3/4 45mm	LD-20
210	1-15/16 2 50mm	LD-30
211	2 2-3/16 2-1/4 55mm	LD-40
212	2-1/4 2-7/16 60mm	LD-40
214	2-1/2 2-11/16 70mm	LD-45
215	2-15/16 75mm	LD-50

- Light Duty Take-Up Frames Are Not Supplied With Bearings. First Match The Take-Up Frame With The Bearing Size From This Page. Then Turn To The Page Listed For The Specific Bearing Part Number.
- EZ-KLEEN Polymer Housing - B1-14 to B1-29
- Grip Tight (GT & GTM)- B2-8 to B2-19
- Setscrew (SC, SCM & VSC) - B12-12 to B12-15
- Eccentric Lock (SXR & SXV) - B7-12 to B7-15
- D-LOK (DL & DLM) - B6-10 to B10-22
- See B19-32 For Light Duty Take-Up Frame Travel Options And Part Numbers.

MEDIUM DUTY

SETSCREW - SCM, SCH

D-LOK - DLM, DLH

GRIP TIGHT - GTM

Series	Shaft Size	Frame Size
206	1 25mm	LD-20
207	1-3/16 1-1/4 30mm	LD-20
208	1-7/16 35mm	LD-20
209	1-1/2 40mm	LD-20
210	1-11/16 1-3/4 45mm	LD-30
211	1-15/16 2 50mm	LD-40
212	2-3/16 2-1/4 55mm	LD-40
214	2-7/16 2-1/2 65mm	LD-45
215	2-11/16 70mm	LD-50
216	2-15/16 3 75mm	LD-50
218	3-7/16 3-1/2 85mm	LD-50



SELECTION/DIMENSIONS

Light Duty Take-Up Frame Bearings

SPHERICAL ROLLER BEARINGS

IMPERIAL - IP

Shaft Size	Frame Size
1-1/8	LD-20
1-3/16	
1-1/4	
1-3/8	
1-7/16	
1-1/2	
1-5/8	LD-20
1	
11/16	
1-3/4	
1-7/8	
1	LD-30
15/16	
2	
2-3/16	
2-1/4	LD-40
2-3/8	
2-7/16	
2-1/2	LD-45
2-11/16	
2-3/4	
2-15/16	
3	LD-50
3-3/16	
3-1/4	
3-7/16	
3-1/2	

S-2000

Shaft Size	Frame Size
1-3/8	LD-20
1-7/16	
1-1/2	
1-11/16	LD-20
1-3/4	
1-15/16	LD-30
2	
2-3/16	LD-40
2-7/16	
2-11/16	LD-45
2-15/16	
3	
3-7/16	LD-50

UNISPHERE II

Shaft Size	Frame Size
1-7/16	LD-20
1-1/2	
1-11/16	
1-3/4	LD-30
1-15/16	
2	LD-40
2-3/16	
2-7/16	LD-45
2-1/2	
2-11/16	
2-3/4	LD-50
2-15/16	
3	
3-7/16	LD-50
3-1/2	

- Light Duty Take-Up Frames Are Not Supplied With Bearings. First Match The Take-Up Frame With The Bearing Size From This Page. Then Turn To The Page Listed For The Specific Bearing Part Number
- S-2000 - B12-14 to B12-17
- Unisphere II - B13-12 to B13-13
- IMPERIAL - B114-30 to B14-31
- See B19-32 For Light Duty Take-Up Frame Travel Options And Part Numbers.

Frame Size	Max Recommended Housing Cap Load (90° Load Angle)
LD-10	2100
LD-20	3900
LD-30	6200
LD-40	6200
LD-45	9100
LD-50	12500

* Consult the Application Engineering Department for loads greater than listed. In all cases, when loads are heavy, the L10 life of the bearing should be checked for proper selection and life requirements.

* LD Frames are drilled for two bolt pillow blocks



SELECTION/DIMENSIONS

Light Duty Take-Up Frame Bearings

SLEEVE BEARING LT-700 LT-1000

Series	Shaft Size	Frame Size
204	3/4	LD-10
205	7/8	LD-10
	15/16	
	1 25mm	
206	1-1/8	LD-20
	1-3/16	
	30mm	
207	1-1/4	LD-20
	1-3/8	
	1-7/16	
	35mm	
209	1-11/16	LD-20
	1-3/4	
	45mm	
210	1-15/16	LD-30
	2 50mm	
211	2-3/16	LD-40
	55mm	
212	2-7/16	LD-40
	2-1/2 55mm	
215	2-15/16	LD-50
	3	

- Light Duty Take-Up Frames Are Not Supplied With Bearings. First Match The Take-Up Frame With The Bearing Size From This Page. Then Turn To The Page Listed For The Specific Bearing Part Number
- LT-700 - B17-10 to B17-13
- LT-1000 - B17-10 to B17-13
- Babbitt Sleeve - B17-38 to B17-39
- See B19-32 For Light Duty Take-Up Frame Travel Options And Part Numbers

Babbitted Solid Journal Bearing

Shaft Size	Frame Size
1/2 to 1-1/4	LD-10
1-11/16 1-3/4	LD-20
2-15/16	LD-45

Eccentric Collar Ball Bearing

Setscrew VSC Ball Bearing

Eccentric SXV Collar Ball Bearing

Take-Up Frames

Engineering

Part Number Index

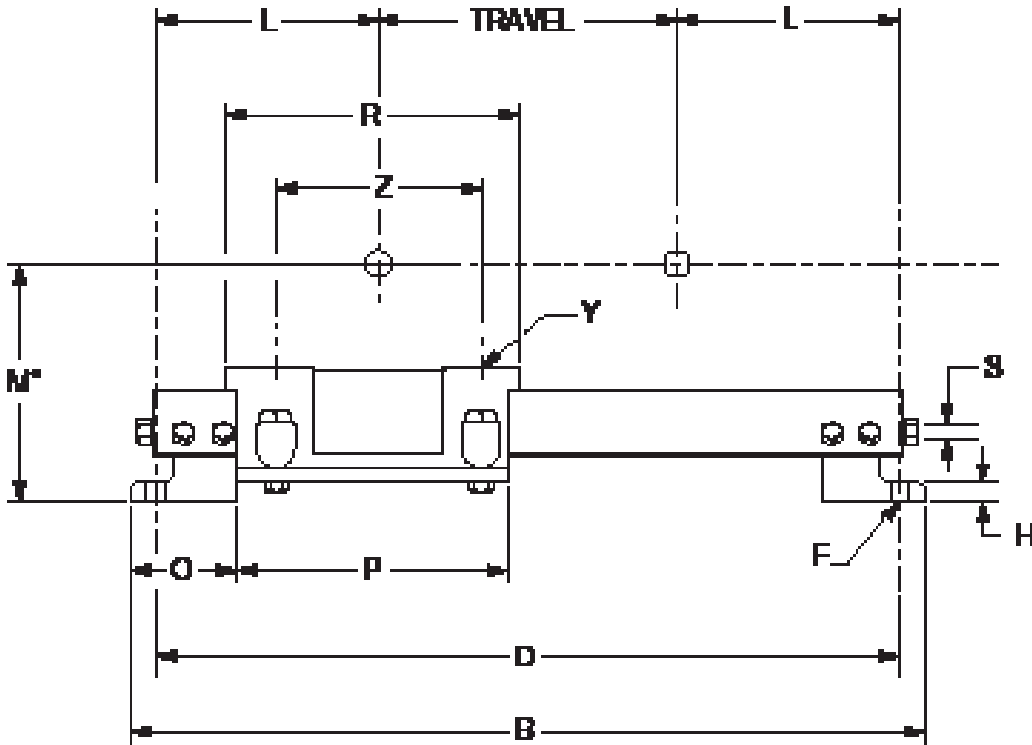
Keyword Index

FEATURES/BENEFITS PAGE B19-2	HOW TO ORDER/NOMENCLATURE PAGE B19-7	SELECTION/DIMENSIONS PAGE B19-8
---------------------------------	---	------------------------------------



SELECTION/DIMENSIONS

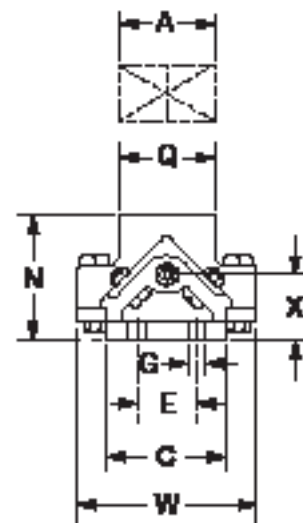
Take-Up Frames - HD HD PROTECTED SCREW TAKE-UP FRAMES



M = N + Pillow Block Base to Center Dimension

The HD Protected Screw Take-Up Frames
 HD 200 through HD 350 Take-Up frames will accommodate pillow blocks on saddles which are slotted for two-bolt Pillow Blocks and may be ordered by part numbers. When using four-bolt Pillow Blocks; or on HD frames 400 and larger, please supply:

1. Bore size of pillow block
2. Type of block (Type E, Double Interlock, USAF, etc.)
3. Whether pillow block is two-or four-bolt style
4. Frame Travel





SELECTION/DIMENSIONS

Take-Up Frames - HD HD PROTECTED SCREW TAKE-UP FRAMES

Frame Size	Travel	Part No. **	Frame Wt.	B	C	D
HD-200*	12	089020	79	31	5	29
	18	089021	82	37	5	35
	24	089022	90	43	5	41
	30	089023	95	47	5	47
	36	089024	100	55	5	53
	48	089150	110	67	5	65
HD-250*	12	089151	115	35-1/4	6	32-3/4
	18	089025	125	41-1/4	6	38-3/4
	24	089026	135	47-1/4	6	44-3/4
	30	089027	137	53-1/4	6	50-3/4
	36	089028	143	59-1/4	6	56-3/4
	48	089152	153	71-1/4	6	68-3/4
HD-300*	12	089153	175	38-1/4	6-1/2	35-1/2
	18	089029	184	44-1/4	6-1/2	41-1/2
	24	089030	194	50-1/4	6-1/2	47-1/2
	30	089031	206	56-1/4	6-1/2	53-1/2
	36	089032	214	62-1/4	6-1/2	59-1/2
	48	089033	240	74-1/4	6-1/2	71-1/2
HD-350*	12	089154	195	40	6-1/2	37-1/4
	18	089034	204	46	6-1/2	43-1/4
	24	089035	212	52	6-1/2	49-1/4
	30	089036	220	58	6-1/2	55-1/4
	36	089037	234	64	6-1/2	61-1/4
	48	089038	250	76	6-1/2	73-1/4
HD-400**	12	089155	340	44	6-1/2	41-1/4
	18	089039	350	50	6-1/2	47-1/4
	24	089040	360	56	6-1/2	53-1/4
	30	089041	370	62	6-1/2	59-1/4
	36	089042	380	68	6-1/2	65-1/4
	48	089043	400	80	6-1/2	77-1/4
HD-500**	12	089156	420	49-1/2	7	47
	18	089044	440	55-1/2	7	53
	24	089045	460	61-1/2	7	59
	30	089046	480	67-1/2	7	65
	36	089047	500	73-1/2	7	71
	48	089048	530	85-1/2	7	83
	60	089604	560	97-1/2	7	95

Frame Size	E	F Bolt Dia.	G Dia.	H	L	N	O	P	Saddle *Dimensions		S Scr. Dia.	W	X	Y Bolt Dia.	Z	
									Q	R					Max.	Min.
									HD-200	2-1/2					5/8	3/4
HD-250	3	5/8	3/4	3/4	10-3/8	6-1/4	5	13-1/4	4-1/2	13	1	8-1/4	3-1/4	3/4	10-7/8	7-5/8
HD-300	3	3/4	7/8	7/8	11-3/4	7	6	14-1/4	5	14	1-1/4	10	3-1/2	3/4	11-5/8	9-1/4
HD-350	3	3/4	7/8	7/8	12-5/8	7	6	16	6	17	1-1/4	10	3-1/2	7/8	13-11/16	10-3/4
HD-400	3	3/4	7/8	7/8	14-5/8	7	6	20	7-1/4	20	1-1/4	10	3-1/2	◆	◆	◆
HD-500	4	7/8	1	1	17-1/2	7-3/4	6-3/4	23-1/2	8-1/2	23-1/2	1-1/2	12-1/2	3-21/32	◆	◆	◆

Consult DODGE for HD600 and HD650 Take-Up Frames, for large bore bearings.

◆ Solid saddle must be drilled and tapped per order (HD-400 & HD500 frames)

* Saddle is slotted to receive 2-bolt blocks.

** For 4-bolt pillow blocks, all HD frames must be drilled and tapped per order. Refer to Page B19-36

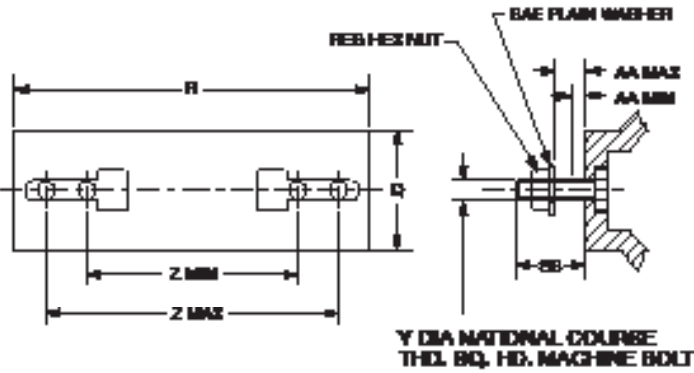
FEATURES/BENEFITS PAGE B19-2	HOW TO ORDER/NOMENCLATURE PAGE B19-7	SELECTION/DIMENSIONS PAGE B19-8
---------------------------------	---	------------------------------------



SELECTION/DIMENSIONS

Take-Up Frames - HD

USING HD PROTECTED SCREW TAKE-UP FRAMES FOR BEARINGS OTHER THAN DODGE



Slotted saddle type HD frames (200 through 350 sizes) may be used with 2-bolt pillow blocks other than DODGE pillow blocks listed in tables on previous pages. The dimensions shown below are listed to determine whether frame is applicable to this type of application.

Frame Size	AA		Saddle Dimensions	
	Min.	Max.	Q	R
HD-200	2	3-1/64	4	11
HD-250	2-5/8	3-13/16	4-1/2	13
HD-300	2-31/32	4-5/32	5	14
HD-350	2-27/32	4-11/16	6	17

Frame Size	Y			SS	Z	
	Bearing Hold Down Bolts				Bolt Centers	
	Diameter	Part Number	Length Under Head		Max.	Min.
HD-200	5/8-11	416173	4	3-5/8	9-7/16	5-15/16
HD-250	3/4-10	416229	5	4-17/32	10-7/8	7-5/8
HD-300	3/4-10	416231	5-1/2	4-7/8	11-5/8	9-1/4
HD-350	7/8-9	416275	5-1/2	5	13-11/16	10-3/4

Note: The Pillow Blocks must use the bolt shown and have the capability of mounting between the Z bolt centers. The height off the mounting bolt pad must be within the AA dimensions.



SELECTION/DIMENSIONS

Heavy Duty Take-Up Frame Bearings

TAPERED ROLLER BEARINGS

Type E		Type K Double Interlock		TAF	
Shaft Size	Frame Size	Shaft Size	Frame Size	Shaft Size	Frame Size
1-1/2 to 2-1/2	HD-200*	1-1/2 to 2-3/16	HD-200*	2-7/16 to 2-1/2	HD-200*
2-11/16 to 3	HD-250*	2-1/4 to 2-1/2	HD-250*	2-15/16 to 3	HD-250*
3-3/16 to 3-1/2	HD-350*	2-11/16 to 3	HD-300*	3-7/16 to 4	HD-350*
3-15/16 to 5	HD-400**	3-3/16 to 3-1/2	HD-350*	4-7/16 to 5	HD-400**
5-7/16 to 6	HD-500**	3-15/16 to 4-1/2	HD-400**	5-7/16	HD-500**
		4-15/16 to 5	HD-500**		

- Heavy Duty Take-Up Frames Are Not Supplied With Bearings. First Match The Take-Up Frame With The Bearing Size From This Page. Then Turn To The Page Listed For The Specific Bearing Part Number
- Type K - B10-40
- Type E - B10-22
- DOUBLE INTERLOCK - B10-50
- TAF - B10-58
- See B19-37 For Heavy Duty Take-Up Frame Travel Options and Part Numbers

* HD-200, HD-250, HD-300 and HD 350 Frames Are Drilled For Two Bolt Base Pillow Blocks. For 4-bolt pillow blocks, refer to note on page B19-36.

**HD-400 And Larger Are Drilled And Tapped Per Order. Specify Bearing Type When Ordering.



SELECTION/DIMENSIONS

Heavy Duty Take-Up Frame Bearings

SPECIALITY TAPERED ROLLER BEARINGS

Special Duty		Type C		All-Steel	
Shaft Size	Frame Size	Shaft Size	Frame Size	Shaft Size	Frame Size
1-3/8 to 2	HD-200	1-3/8 to 1-15/16	HD-200	2-11/16 to 3	HD-250*
2-1/8 to 2-1/2	HD-250	2 to 2-7/16	HD-250	3-7/16 to 3-1/2	HD-300*
2-3/8 to 3	HD-300	2-3/8 to 2-15/16	HD-300	3-15/16 to 4	HD-350*
3-3/16 to 3-1/2	HD-350	3 to 3-7/16	HD-350	4-7/17 to 5	HD-400**
3-11/16 to 4	HD-400**	3-1/2 to 4	HD-400**		
4-7/16 to 5	HD-500**	4-7/16 to 5	HD-500**		

- Heavy Duty Take-Up Frames Are Not Supplied With Bearings. First Match The Take-Up Frame With The Bearing Size From This Page. Then Turn To The Page Listed For The Specific Bearing Part Number

- Specialty Duty - B11-30
- Type C - B11-8
- All Steel - B11-54
- See B19-37 For Heavy Duty Take-Up Frame Travel Options and Part Numbers

*HD-200, HD-250, HD-300 and HD 350 Frames Are Drilled For Two Bolt Base Pillow Blocks. For 4-bolt pillow blocks, refer to note on page B19-36.

**HD-400 And Larger Are Drilled And Tapped Per Order. Specify Bearing Type When Ordering.



SELECTION/DIMENSIONS

Heavy Duty Take-Up Frame Bearings

UNITIZED SPHERICAL ROLLER BEARINGS

Imperial - IP		S-2000		UNISPHERE II		
Shaft Size	Frame Size	Shaft Size	Frame Size	Shaft Size	Frame Size	
1-1/8 to 2-1/2	HD-200*	1-3/8 1-7/16 1-1/2 1-11/16 1-3/4 1-15/16	HD-200*	1-15/16 2 2-3/16 2-7/16 2-1/2	HD-200	
2-11/16 2-3/4 2-15/16 3	HD-250*	2 2-3/16 2-7/16 2-11/16		HD-250		
3-3/16 3-1/4 3-7/16 3-1/2	HD-300*	2-15/16 3				HD-300
3-11/16 3-15/16 4 4-7/16 4-1/2	HD-350*	3-7/16 3-15/16 4-7/16				
4-15/16 5	HD-400**	4-15/16				HD-400**

- Heavy Duty Take-Up Frames Are Not Supplied With Bearings. First Match The Take-Up Frame With The Bearing Size From This Page. Then Turn To The Page Listed For The Specific Bearing Part Number
- S-2000 - B12-14 to B12-29
- IMPERIAL - B14-30 to B14-37
- UNISPHERE - B13-12 to B13-13
- See B19-37 For Heavy Duty Take-Up Frame Travel Options and Part Numbers

*HD-200, HD-250, HD-300 and HD 350 Frames Are Drilled For Two Bolt Base Pillow Blocks. For 4-bolt pillow blocks, refer to note on page B19-36.

**HD-400 And Larger Are Drilled And Tapped Per Order. Specify Bearing Type When Ordering.

FEATURES/BENEFITS PAGE B19-2	HOW TO ORDER/NOMENCLATURE PAGE B19-7	SELECTION/DIMENSIONS PAGE B19-8
---------------------------------	---	------------------------------------



SELECTION/DIMENSIONS

Heavy Duty Take-Up Frame Bearings

UNIFIED SPHERICAL ROLLER BEARINGS

USAF-500

SAF-XT

SAFS

ISAF

Shaft Size	Frame Size
1-15/16 to 2-3/16	HD-200*
2-7/16 to 3	HD-250*
3-3/16	HD-300*
3-7/16 to 3-1/2	HD-350*
3-15/16 to 4-1/2	HD-400**
4-15/16 to 5-1/2	HD-500**

Take-Up Frame Size	Maximum Recommended Housing Cap. Loads ** (at 90° load angle)
HD-200	2800
HD-250	4200
HD-300	4200
HD-350	3500
HD-400	***
HD-500	***

- Heavy Duty Take-Up Frames Are Not Supplied With Bearings. First Match The Take-Up Frame With The Bearing Size From This Page. Then Turn To The Page Listed For The Specific Bearing Part Number
- IMPERIAL - B14-52 to B14-57
- USAF-500 - B14-26 to B14-29
- SAF-XT - B15-56 to B15-59
- SAFS - B15-61 to B15-63
- See B19-37 For Heavy Duty Take-Up Frame Travel Options and Part Numbers

*HD-200, HD-250, HD-300 and HD 350 Frames Are Drilled For Two Bolt Base Pillow Blocks. For 4-bolt pillow blocks, refer to note on page B19-36.

**HD-400 And Larger Are Drilled And Tapped Per Order. Specify Bearing Type When Ordering.



SELECTION/DIMENSIONS

Heavy Duty Take-Up Frame Bearings

SLEEVE BEARINGS

MM-700
MM-1000

Shaft Size	Frame Size
3-7/16 3-1/2	HD-250*
3-15/16 4	HD-300*
4-7/16 4-1/2	HD-350*
4-15/16 5	HD-400**

- Heavy Duty Take-Up Frames Are Not Supplied With Bearings. First Match The Take-Up Frame With The Bearing Size From This Page. Then Turn To The Page Listed For The Specific Bearing Part Number
- MM 700 - B17-14
- MM 1000 - B17-14
- Angle Babbitt - B17-42 to B17-43
- Bronze B17-50 to B17-53
- See B19-37 For Heavy Duty Take-Up Frame Travel Options and Part Numbers

Angle Babbitt
Bronze Babbitt

Shaft Size	Frame Size
1-15/16 2-3/16 2-7/16	HD-200*
2-11/16 2-15/16	HD-250*
3-7/16	HD-300*
3-15/16	HD-350*
4-7/16 4-15/16	HD-400**
5-7/16 5-15/16	HD-500**

*HD-200, HD-250, HD-300 and HD 350 Frames Are Drilled For Two Bolt Base Pillow Blocks. For 4-bolt pillow blocks, refer to note on page B19-36.

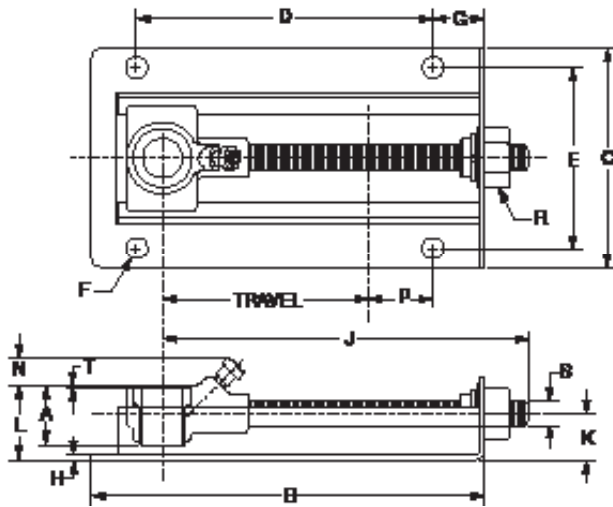
**HD-400 And Larger Are Drilled And Tapped Per Order. Specify Bearing Type When Ordering.

FEATURES/BENEFITS PAGE B19-2	HOW TO ORDER/NOMENCLATURE PAGE B19-7	SELECTION/DIMENSIONS PAGE B19-8
---------------------------------	---	------------------------------------



SELECTION/DIMENSIONS

Take-Up Frames - BRONZOIL

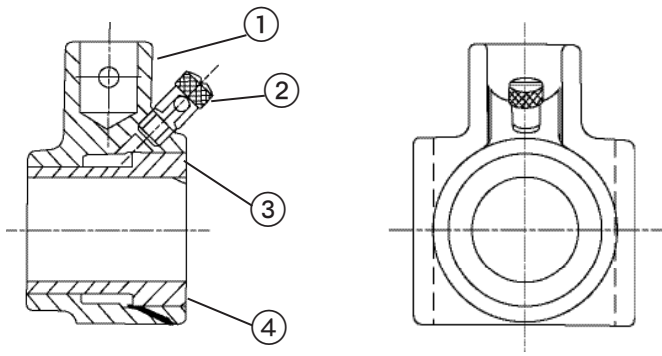


Shaft Size X Travel	Part Number	Description	Wt.	A	B	C	D	E
1/2 x 4	034020	BOTU-008X4	1.9					
5/8 x 4	034021	BOTU-010X4	1.8	1-3/16	7-5/8	4-1/4	5-3/4	3-1/2
3/4 x 4	034022	BOTU-012X4	1.7					
7/8 x 4	034023	BOTU-014X4	2.1					
15/16 x 4	034024	BOTU-015X4	2.0	1-9/16	7-5/8	4-1/4	5-3/4	3-1/2
1 x 4	034025	BOTU-100X4	1.9					

Shaft Size X Travel	F Bolt Dia.	G	H	J	K	L	N	P	R Hex. Size	S	T
1/2 x 4											
5/8 x 4	3/8	1	7/64	7-1/8	29/32	1-7/16	1/2	1-1/4	1	1/2	1/16
3/4 x 4											
7/8 x 4											
15/16 x 4	3/8	1	7/64	7-1/8	29/32	1-5/8	5/16	1-1/4	1	1/2	1/16
1 x 4											

BRONZOIL Take-Up Bearing Assembly

Size	(TUBO---) Assy. No	1	2	3	4
1/2	034030	034001	405046	034013	444010
5/8	034031	034001	405046	034014	444010
3/4	034032	034001	405046	034015	444010
7/8	034033	034002	405046	034016	444010
15/18	034034	034002	405046	034017	444010
1	034035	034002	405046	034018	444010

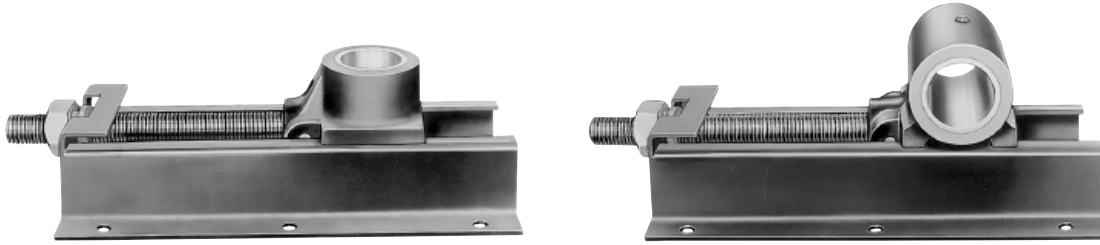


- 1. BRONZOIL Housing
- 2. BRONZOIL Take-Up Oil Cup
- 3. BRONZOIL Bushing
- 4. BRONZOIL Permawick



SELECTION/DIMENSIONS

Take-Up Bearings - Type A & B



TYPE A & B TAKE-UP BEARINGS (Only) TYPE A & B TAKE-UP FRAMES DISCONTINUED

Shaft Size x Travel	Type A Take-Up Bearing		
	Part Number	Description	Wt.
15/16 x 5	036180	TUA-015-TUBRG	2.6
1 x 5	036181	TUA-100-TUBRG	2.5
1-3/16 x 5	036182	TUA-103-TUBRG	2.3
1-1/4 x 5	036183	TUA-104-TUBRG	2.2
1-7/16 x 6	036184	TUA-107-TUBRG	3.5
1-7/16 x 12			
1-11/16 x 6	036185	TUA-111-TUBRG	4.1
1-11/16 x 12			
1-15/16 x 9	036186	TUA-115-TUBRG	6.7
1-15/16 x 18			
2-3/16 x 9	036187	TUA-203-TUBRG	10.1
2-3/16 x 18			
2-7/16 x 9	036188	TUA-207-TUBRG	8.8
2-7/16 x 18			

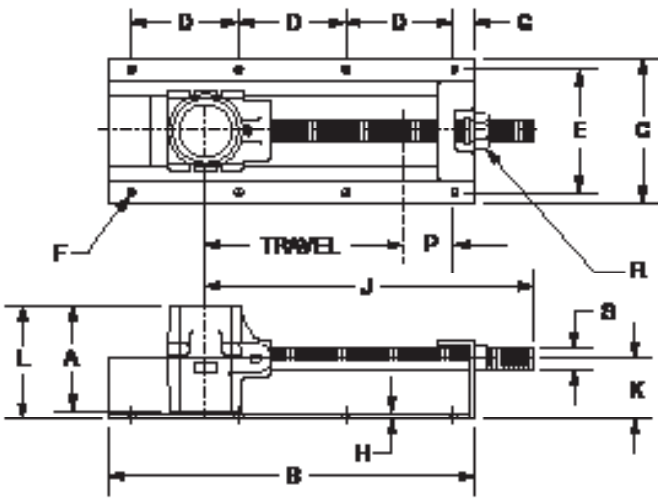
Shaft Size x Travel	Type B Take-Up Bearing		
	Part Number	Description	Wt.
15/16 x 5	036270	TUB-015-TUBRG	3.6
1 x 5	036193	TUB-100-TUBRG	3.5
1-3/16 x 5	036194	TUB-103-TUBRG	3.3
1-1/4 x 5	036274	TUB-104-TUBRG	3.2
1-7/16 x 6	036196	TUB-107-TUBRG	4.7
1-7/16 x 12			
1-11/16 x 6	036197	TUB-111-TUBRG	5.4
1-11/16 x 12			
1-15/16 x 9	036198	TUB-115-TUBRG	8.6
1-15/16 x 18			
2-3/16 x 9	036199	TUB-203-TUBRG	12.7
2-3/16 x 18			
2-7/16 x 9	036200	TUB-207-TUBRG	11.4
2-7/16 x 18			

FEATURES/BENEFITS PAGE B19-2	HOW TO ORDER/NOMENCLATURE PAGE B19-7	SELECTION/DIMENSIONS PAGE B19-8
---------------------------------	---	------------------------------------

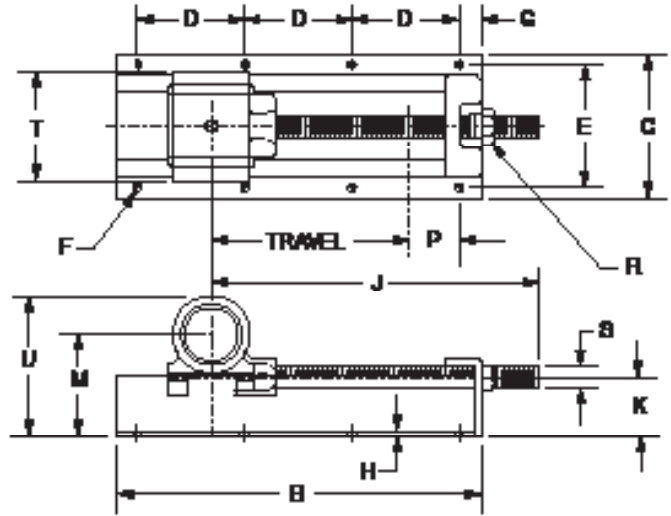


SELECTION/DIMENSIONS

Take-Up Bearings - Type A & B



TYPE TUA



TYPE TUB

Shaft Size x Travel	A	B	C	D	E	F Bolt		G	H	J	K
						No.	Dia.				
15/16 x 5 1 x 5 1-3/16 x 5 1- 1/4 x 5	2-5/8	9-3/4	4-3/4	3-1/2	4	6	5/16	1-3/8	1/8	8-3/4	1-5/8
1-7/16 x 6 1-7/16 x 12	3-1/8	1218	5-3/45-3/4	55-1/4	4-3/44-3/4	68	3/33/8	11	3/163/16	10-1/216-1/2	22
1-11/16 x 6 1-11/16 x 12	3-3/8	1218	5-3/45-3/4	55-1/4	4-3/44-3/4	68	3/83/8	11	3/163/16	10-1/216-1/2	22
1-15/16 x 9 1-15/16 x 18	4-1/8	1726	6-3/46-3/4	56	5-3/45-3/4	810	3/83/8	11	1/41/4	14-1/223-1/2	2-3/42-3/4
2-3/16 x 9 2-3/16 x 18	4-7/8	1726	6-3/46-3/4	56	5-3/45-3/4	810	3/83/8	11	1/41/4	14-1/223-1/2	2-3/42-3/4
2-7/16 x 9 2-7/16 x 18	4-7/8	1726	6-3/46-3/4	56	5-3/45-3/4	810	3/83/8	11	1/41/4	14-1/223-1/2	2-3/42-3/4

Shaft Size x Travel	L	M	P	R Hex.	S	T	U	Grease Cup	
								Pipe Tap	Size
15/16 x 5 1 x 5 1-3/16 x 5 1- 1/4 x 5	3	2-3/4	1-5/8	1-5/16	3/4	2-7/8	3-27/32	1/8	0
1-7/16 x 6 1-7/16 x 12	3-5/8	3-3/83-3/8	2-1/22-1/2	1-1/2	7/8	3-3/8	4-19/32	1/4	0
1-11/16 x 6 1-11/16 x 12	3-3/4	3-5/83-5/8	2-1/22-1/2	1-1/2	7/8	3-5/8	4-31/32	1/4	0
1-15/16 x 9 1-15/16 x 18	4-7/8	4-1/24-1/2	3-3/83-3/8	1-5/8	1	4-3/8	6-1/32	1/4	1
2-3/16 x 9 2-3/16 x 18	5-1/4	4-3/44-3/4	3-1/83-1/8	1-5/8	1	5-1/8	6-17/32	1/4	1
2-7/16 x 9 2-7/16 x 18	5-1/4	4-3/44-3/4	3-3/83-3/8						

FEATURES/BENEFITS PAGE B19-2	HOW TO ORDER/NOMENCLATURE PAGE B19-7	SELECTION/DIMENSIONS PAGE B19-8
---------------------------------	---	------------------------------------

Eccentric Collar Ball Bearings
 Setscrew WSC Ball Bearing
 Eccentric SXV Collar Ball Bearing
 Take-Up Frames
 Engineering
 Part Number Index
 Keyword Index

CONTENT

ENGINEERING/TECHNICAL

BEARING ENGINEERING SECTION

Vibration Frequencies of Anti-Friction Mounted Bearings	B20-2
Bearing Life Adjustment Factors (Rolling Element Bearings)	B20-8

PT COMPONENT ENGINEERING SECTION

V-Belt Drive Formulas	B20-10
V-Belt Cross Sections	B20-11
Material Characteristics	B20-12

GENERAL ENGINEERING SECTION

Shafting	B20-14
Expansion of Shafting	B20-19
Weights/Properties of Steel Shafting	B20-20
Oil Viscosity Classification	B20-22
English Standard Measurement	B20-23
Metric System of Measurement & Conversions	B20-26
Common Conversion Factors	B20-28
Formulas and Constants	B20-34
Centrifugal Force	B20-35
Flywheel Formulas	B20-35
Torque and Horsepower Equivalentents	B20-36
Overhung Loads	B20-36
Mathematical Equations	B20-36
Strength and Physical Properties of Various Metals	B20-37
Properties of Sections	B20-38
Coefficients of Friction (f)	B20-39
Hardness Comparison	B20-39
U.S. Standard Sheet Metal Gages	B20-39
Trigonometric Formula	B20-40
NEMA Quick Reference Chart	B20-41
IEC Quick Reference Chart	B20-42
Part Number Index	INDEX-1
Keyword Index	KEYWORD-1

Eccentric Collar Ball Bearing

Setscrew VSC Ball Bearing

Eccentric SXV Collar Ball Bearing

Take-Up Frames

Engineering

Part Number Index

Keyword Index

Vibration Frequencies of DODGE Anti-Friction Mounted Bearings

More and more manufacturing facilities are getting involved with plant-wide preventive maintenance programs. By monitoring vibration levels of motors, pumps, fans and compressors, maintenance supervisors can predict imminent failures. Knowing that a piece of equipment is showing signs of potential failure permits scheduling of maintenance at an appropriate time and avoids the consequences of catastrophic failures. Shown in Tables 1 - 10 are vibration frequencies generated by bearing components defects. All frequencies are based on unity inner ring or cone rotation.

How to Use the Tables

If a 2-7/16 Type E pillow block is rotating at 1000 RPM, the vibration due to a failed component will show up at the following frequencies: (Table 3, Line 6)

Frequency

Cup Nick or Spall	= 1000 x 9.251	= 9251 RPM
Cone Nick or Spall	= 1000 x 11.749	= 11749 PM
*Roller Nick or Spall	= 1000 x 4.011 x 2	= 8022 RPM
Cage (Train) Frequency (Inner Ring Rotation)	= 1000 x 0.441	= 441 RPM

Since all the values in Tables 1 - 10 are based on unity inner ring or cone rotation, the vibration due to flaws will show up at the frequencies obtained by multiplying the RPM times the factors found on the appropriate table. The resulting product will have units of RPM.

Table 1: All Setscrew, Eccentric, D-LOK & GT Ball Bearing Parameters For Vibration Analysis (1-RPS)

Series	SC Bore	SCM Bore	# Balls	Diameter of Balls	Pitch Diameter	Outer Ring Frequency Hz	Inner Ring Frequency Hz	* Ball Spin Frequency Hz	Cage Frequency Hz
203	1/2 - 5/8		8	17/64	1.151	3.078	4.923	2.050	0.385
204	1/2 - 3/4		8	5/16	1.325	3.057	4.943	2.002	0.382
205	7/8 - 1		9	5/16	1.533	3.582	5.418	2.350	0.398
206	1-1/6 - 1-1/4	1	9	3/8	1.823	3.575	5.426	2.328	0.397
207	1-1/4 - 1-7/16	1-3/16	9	7/16	2.136	3.579	5.422	2.339	0.398
208	1-1/2 - 1-5/8	1-7/16 - 1-1/2	9	1/2	2.387	3.558	5.443	2.283	0.395
209	1-11/16 - 1-3/4	1-1/2	9	13/25	2.559	3.586	5.414	2.360	0.398
210	1-15/16 - 2	1-11/16 - 1-3/4	10	1/2	2.765	4.056	5.904	2.674	0.410
211	2-2-1/4	1-15/16 - 2	10	9/16	3.092	4.090	5.910	2.657	0.410
212	2-1/4 - 2-7/16	2-3/16 - 2-1/4	10	5/8	3.385	4.077	5.923	2.616	0.408
214	2-11/16	2-7/16 - 2-1/2	10	11/16	3.775	4.089	5.911	2.654	0.409
215	2-15/16	2-11/16	11	11/16	4.085	4.574	6.456	2.887	0.416
216		2-15/16 - 3	11	3/4	4.330	4.547	6.453	2.800	0.413
218		3-7/16 - 3-1/2	11	27/32	4.920	4.557	6.443	2.830	0.414

Table 2: Type E, K, DI, and TAF Tapered Roller Bearing Parameters For Vibration Analysis (1-RPS)

Bore Size	# Rollers Per Row	Mean Diameter of Rollers	Pitch Diameter	Contact Angle	Cup Frequency Hz	Cone Frequency Hz	* Roller Spin Frequency Hz	Cage Frequency Hz
1-3/16 - 1-1/4	19	0.23	1.774	17.533	8.326	10.675	3.798	0.438
1-3/8 - 1-7/16	20	0.29	2.084	16.500	8.666	11.334	3.529	0.433
1-1/2 - 1-11/16	18	0.35	2.411	16.000	7.744	10.256	3.377	0.430
1-3/4 - 2	17	0.41	2.709	12.033	7.241	9.758	3.231	0.426
2-3/16	19	0.41	3.014	13.283	8.242	10.758	3.611	0.434
2-1/4 - 2-1/2	21	0.41	3.337	14.500	9.251	11.749	4.012	0.441
2-11/16 - 3	24	0.41	3.900	16.733	10.792	13.208	4.708	0.450
3-3/16 - 3-1/2	26	0.46	4.780	18.167	11.811	14.189	5.152	0.454
3-15/16 - 4	26	0.51	5.120	17.567	11.766	14.235	4.974	0.453
4-7/16 - 4-1/2	25	0.59	5.727	18.983	11.282	13.718	4.807	0.451
4-15/16 - 5	25	0.68	6.568	17.000	11.262	13.738	4.782	0.455
5-7/16 - 6	32	0.67	8.444	17.750	14.791	17.209	6.266	0.462
6-7/16 - 7	27	0.93	9.791	19.167	12.289	14.711	5.222	0.455

Cup Frequency = $N * \text{RPM} * (1 - (\text{Bd} * \cos a / \text{Pd})) / 120$

Pd = Pitch Diameter

Cone Frequency = $N * \text{RPM} * (1 + (\text{Bd} * \cos a / \text{Pd})) / 120$

N = Number of rollers

Roller Spin Frequency = $\text{Pd} * \text{RPM} * (1 - (\text{Bd} * \cos a / \text{Pd})^2) / (120 * \text{Bd})$

Bd = Roller Diameter

Cage Frequency = $\text{RPM} * (1 - (\text{Bd} * \cos a / \text{Pd})) / 120$

a = Cup Angle (contact angle)

Table 3: Type C Tapered Roller Bearing Parameters For Vibration Analysis (1-RPS)

Bore Size	# Rollers Per Row	Mean Diameter of Rollers	Pitch Diameter	Contact Angle	Cup Frequency Hz	Cone Frequency Hz	* Roller Spin Frequency Hz	Cage Frequency Hz
1-3/16 - 1-7/16	19	0.31	2.251	14.92	8.236	10.764	3.566	0.433
1-1/2 - 1-3/4	21	0.32	2.604	11.50	9.236	11.764	4.010	0.440
1-15/16	22	0.33	2.848	15.00	9.769	12.231	4.261	0.444
2 - 2-1/4	21	0.40	3.335	16.83	9.295	11.705	4.114	0.443
2-3/16 - 2-7/16	25	0.35	3.533	18.00	11.322	13.678	5.002	0.453
2-1/2 - 2-11/16	23	0.43	3.827	16.50	10.261	12.739	4.399	0.446
2-7/16 - 2-15/16	26	0.42	4.220	16.50	11.759	14.241	4.978	0.452
3 - 3-3/16	22	0.55	4.612	16.50	9.742	12.258	4.138	0.443
3-1/4 - 3-7/16	24	0.51	4.761	16.42	10.767	13.233	4.618	0.449
3-1/2 - 4	25	0.59	5.727	18.98	11.282	13.718	4.807	0.4513
4-7/16 - 4-1/2	33	0.46	3.109	11.50	14.108	18.892	3.308	0.428
4-15/16 - 5	26	0.68	6.983	18.00	11.796	14.204	5.091	0.4537

Cup Frequency = $N * \text{RPM} * (1 - (\text{Bd} * \cos a / \text{Pd})) / 120$

Pd = Pitch Diameter

Cone Frequency = $N * \text{RPM} * (1 + (\text{Bd} * \cos a / \text{Pd})) / 120$

N = Number of rollers

Roller Spin Frequency = $\text{Pd} * \text{RPM} * (1 - (\text{Bd} * \cos a / \text{Pd})^2) / (120 * \text{Bd})$

Bd = Roller Diameter

Cage Frequency = $\text{RPM} * (1 - (\text{Bd} * \cos a / \text{Pd})) / 120$

a = Cup Angle (contact angle)

*** Note:** Ball and Roller Spin Frequencies are listed at one (1X) roller spin frequency. For thorough analysis it is important to check frequency level at two (2X) rotational speed of balls or rollers as this is the frequency that a single ball/roller defect will contact the raceways of the bearing. In other words, a ball/roller defect will strike both inner and outer ring in one revolution of the roller.

Type 4: Special Duty Tapered Roller Bearing Parameters For Vibration Analysis (1-RPS)

Bore Size	# Rollers Per Row	Mean Diameter of Rollers	Pitch Diameter	Contact Angle	Cup Frequency Hz	Cone Frequency Hz	Roller Spin Frequency Hz	Cage Frequency Hz
1-3/8 - 1-1/2	21	0.32	2.603	11.50	9.2384	11.7616	4.0188	0.4399
1-9/16 - 1-3/4	26	0.32	3.061	16.00	11.6930	14.3070	4.7323	0.4497
1-7/8 - 2	27	0.32	3.267	17.00	12.2349	14.7651	5.0578	0.4531
2-1/8 - 2-1/4	25	0.35	3.533	18.00	11.3174	13.6826	4.9813	0.4527
2-3/8 - 2-1/2	29	0.35	3.828	18.77	13.2454	15.7546	5.4304	0.4567
2-5/8 - 3	26	0.48	4.572	10.17	11.6498	14.3502	4.6873	0.4481
3-3/16 - 3-1/2	27	0.56	5.541	16.00	12.1840	14.8160	4.8838	0.4513
3-11/16 - 4	23	0.68	6.103	15.88	10.2627	12.7373	4.4180	0.4462
4-7/16 - 4-1/2	26	0.68	6.983	18.00	11.7910	14.2090	5.0689	0.4535
4-15/16 - 5	30	0.75	7.896	17.00	13.6369	16.3631	5.2181	0.4546
5-7/16 - 6	24	0.93	9.123	17.33	10.8322	13.1678	4.8584	0.4513
6-1/2 - 7	29	0.93	10.190	19.23	13.2505	15.7495	5.4378	0.4569
7-15/16 - 8	27	1.12	11.471	12.42	12.2127	14.7873	5.0744	0.4523
8-1/2 - 10	41	0.87	13.979	16.40	19.2761	21.7239	8.0053	0.4701
11 - 12	37	1.20	16.061	12.50	17.1505	19.8495	6.6565	0.4635

$$\text{Cup Frequency} = N * \text{RPM} * (1 - (\text{Bd} * \cos a / \text{Pd})) / 2$$

$$\text{Cone Frequency} = N * \text{RPM} * (1 + (\text{Bd} * \cos a / \text{Pd})) / 2$$

$$\text{Roller Spin Frequency} = \text{Pd} * \text{RPM} * (1 - (\text{Bd} * \cos a / \text{Pd})^2) / (2 * \text{Bd})$$

$$\text{Cage Frequency} = \text{RPM} * (1 - (\text{Bd} * \cos a / \text{Pd})) / 2$$

Pd = Pitch Diameter

N = Number of rollers

Bd = Roller Diameter

a = Cup Angle (contact angle)

Table 5: All Steel Tapered Roller Bearing Parameters For Vibration Analysis (1-RPS)

Bore Size	# Rollers Per Row	Mean Diameter of Rollers	Pitch Diameter	Contact Angle	Cup Frequency Hz	Cone Frequency Hz	* Roller Spin Frequency Hz	Cage Frequency Hz
2-11/16 - 3	27	0.36	4.114	15.50	12.362	14.638	5.673	0.458
3-1/4 - 3-1/2	26	0.51	5.120	17.57	11.766	14.235	4.974	0.453
3-15/16 - 4	33	0.48	5.814	12.50	15.170	17.830	6.017	0.460
4-7/16 - 4-1/2	29	0.60	6.503	12.92	13.196	15.804	5.375	0.455
4-15/16 - 5	32	0.61	7.355	12.50	14.705	17.296	5.989	0.460
5-7/16	27	0.84	8.272	12.00	12.159	14.841	4.875	0.450
5-15/16 - 6	26	0.85	8.323	12.00	11.701	14.300	4.847	0.450
6-7/16 - 7	32	0.81	9.748	12.50	14.702	17.300	5.978	0.459
7-1/2 - 8	27	1.12	11.471	12.42	12.213	14.787	5.074	0.452
9 - 10	32	1.28	14.026	12.03	14.572	17.428	5.435	0.455

$$\text{Cup Frequency} = N * \text{RPM} * (1 - (\text{Bd} * \cos a / \text{Pd})) / 120$$

$$\text{Cone Frequency} = N * \text{RPM} * (1 + (\text{Bd} * \cos a / \text{Pd})) / 120$$

$$\text{Roller Spin Frequency} = \text{Pd} * \text{RPM} * (1 - (\text{Bd} * \cos a / \text{Pd})^2) / (120 * \text{Bd})$$

$$\text{Cage Frequency} = \text{RPM} * (1 - (\text{Bd} * \cos a / \text{Pd})) / 120$$

Pd = Pitch Diameter

N = Number of rollers

Bd = Roller Diameter

a = Cup Angle (contact angle)

*** Note:** Ball and Roller Spin Frequencies are listed at one (1X) roller spin frequency. For thorough analysis it is important to check frequency level at two (2X) rotational speed of balls or rollers as this is the frequency that a single ball/roller defect will contact the raceways of the bearing. In other words, a ball/roller defect will strike both inner and outer ring in one revolution of the roller.

Table 6: S-2000, UNISPHERE II and Imperial Spherical Roller Bearing Parameters for Vibration Analysis (1-RPS)

Basic Bearing Series	S-2000 Bore Size (in)	UNISPHERE II Bore Size (in)	Imperial Bore Size (in)	No. of Rollers	Mean Dia. Of Rollers	Pitch Dia.	Contact Angle	Outer Ring Frequency Hz	Inner Ring Frequency Hz	* Roller Spin Frequency Hz	Cage Frequency Hz
22208	1-3/8 - 1-1/2	1-7/16 - 1-1/2	1-1/8 - 1-1/2	15	0.449	2.449	10.583	6.149	8.851	2.640	0.410
22209	1-11/16 - 1-3/4	1-11/16 - 1-3/4	1-5/8 - 1-3/4	17	0.429	2.665	9.750	7.151	9.849	3.027	0.421
22210	1-15/16 - 2	1-15/16 - 2	1-7/8 - 2	18	0.433	2.858	9.083	7.653	10.347	3.226	0.425
22211	2-3/16	2-3/16	2-3/16 - 2-1/4	19	0.465	3.189	8.750	8.132	10.868	3.361	0.428
22213	2-7/16	2-7/16 - 2-1/2	2-3/8 - 2-1/2	18	0.583	3.795	9.083	7.635	10.365	3.182	0.424
22215	2-11/16 - 3	2-11/16 - 3	2-11/16 - 3	20	0.575	4.197	8.250	8.645	11.355	3.584	0.432
22218	3-7/16	3-7/16 - 3-1/2	3-3/16 - 3-1/2	18	0.780	5.079	8.833	7.635	10.365	3.183	0.424
22220	3-15/16 - 4	3-15/16 - 4	3-11/16 - 4	18	0.878	5.705	9.000	7.632	10.368	3.174	0.424
22222	4-7/16		4-7/16 - 4-1/2	17	1.020	6.287	9.417	7.140	9.860	3.004	0.420
22226	4-15/16		4-15/16 - 5	18	1.118	7.307	9.750	7.643	10.357	3.193	0.425
22228			5-7/16 - 5-1/2	18	1.217	7.933	9.583	7.639	10.361	3.186	0.424
22232			5-15/16 - 6	18	1.409	9.189	9.667	7.639	10.361	3.185	0.424
22236			6-7/16 - 7	18	1.559	10.157	9.417	7.637	10.363	3.183	0.424

Table 7: USAF and SAF-XT Spherical Roller Bearing Parameters for Vibration Analysis (1-RPS)

Basic Bearing Series	USAF/SAF-XT Bore Sizes (in)	No. Of Rollers	Mean Dia. Of Rollers	Pitch Dia.	Contact Angle	Outer Ring Frequency Hz	Inner Ring Frequency Hz	* Roller Spin Frequency Hz	Cage Frequency Hz
22209	1-7/16	18	0.408	2.626	9.633	7.623	10.377	3.147	0.424
22210	1-11/16	19	0.415	2.819	8.917	8.120	10.880	3.328	0.427
22211	1-15/16	19	0.465	3.097	8.833	8.092	10.908	3.260	0.426
22213	2-3/16	20	0.534	3.761	9.117	8.599	11.401	3.456	0.430
22215	2-7/16 - 2-1/2	20	0.587	4.093	8.433	8.582	11.418	3.419	0.429
22216	2-11/16 - 2-3/4	20	0.622	4.410	8.333	8.604	11.396	3.475	0.430
22217	2-15/16 - 3	20	0.679	4.723	8.367	8.578	11.422	3.409	0.429
22218	3-3/16	20	0.702	5.024	8.917	8.620	11.380	3.510	0.431
22220	3-7/16 - 3-1/2	19	0.823	5.609	8.917	8.123	10.877	3.336	0.428
22222	3-15/16 - 4	18	0.979	6.185	9.583	7.595	10.405	3.082	0.422
22224	4-3/16	19	0.999	6.700	9.633	8.103	10.897	3.280	0.426
22226	4-7/16 - 4-1/2	19	1.071	7.205	9.950	8.109	10.891	3.292	0.427
22228	4-15/16 - 5	18	1.217	7.933	9.583	7.639	10.361	3.186	0.424
22230	5-3/16	18	1.315	8.559	9.500	7.636	10.364	3.180	0.424
22232	5-7/16 - 5-1/2	18	1.409	9.189	9.667	7.639	10.361	3.185	0.424
22234	5-15/16 - 6	17	1.583	9.740	9.833	7.139	9.861	2.998	0.420
22236	6-7/16 - 6-1/2	18	1.559	10.157	9.417	7.637	10.363	3.183	0.424
22238	6-15/16 - 7	20	1.496	10.669	10.667	8.622	11.378	3.498	0.431
22240	7-3/16	19	1.614	11.021	10.833	8.133	10.867	3.343	0.428
22244	7-1/2 - 8	19	1.850	12.480	10.833	8.117	10.883	3.301	0.427
23048	8-7/16 - 9	29	1.142	12.008	9.333	13.140	15.860	5.213	0.453
23052	9-7/16 - 9-1/2	27	1.378	13.228	9.667	12.114	14.886	4.749	0.449
23056	9-15/16 - 10-1/2	28	1.378	13.976	9.333	12.638	15.362	5.023	0.451

* **Note:** Ball and Roller Spin Frequencies are listed at one (1X) roller spin frequency. For thorough analysis it is important to check frequency level at two (2X) rotational speed of balls or rollers as this is the frequency that a single ball/roller defect will contact the raceways of the bearing. In other words, a ball/roller defect will strike both inner and outer ring in one revolution of the roller.

Table 8: DODGE USAF Air Handling Spherical Roller Bearing Parameters For Vibration Analysis (1-RPS)

Bore Size	Basic Bearing Series	# Rollers Per Row	Diameter of Rollers	Pitch Diameter	Contact Angle	Outer Ring Frequency Hz	Inner Ring Frequency Hz	*Roller Spin Frequency Hz	Cage Frequency Hz
1-7/16	22209E1K	17	0.3937	2.5976	10.0000	7.231	9.769	3.226	0.425
1-11/16	22210E1K	19	0.3937	2.7976	9.2500	8.180	10.820	3.484	0.431
1-15/16	22211E1K	18	0.4528	3.0921	8.9200	7.698	10.302	3.343	0.428
2-3/16	22213E1K	19	0.5315	3.7110	9.2500	8.157	10.843	3.421	0.429
2-7/16 - 2-1/2	22215E1K	21	0.5315	4.1098	8.3300	9.156	11.846	3.803	0.436
2-11/16 - 2-3/4	22216E1K	20	0.5709	4.3638	8.2500	8.705	11.295	3.758	0.435
2-15/16 - 3	22217E1K	20	0.6299	4.6811	8.5000	8.669	11.331	3.650	0.434
3-3/16	22218E1K	20	0.6693	4.9602	8.8300	8.667	11.333	3.640	0.433
3-7/16 - 3-1/2	22220E1K	19	0.7677	5.5606	9.0000	8.205	10.795	3.554	0.432
3-15/16 - 4	22222E1K	19	0.8661	6.1559	9.4200	8.181	10.819	3.485	0.431
4-3/16	22224E1K	19	0.9252	6.6382	9.5800	8.194	10.806	3.520	0.431
4-7/16 - 4-1/2	22226E1K	19	0.9843	7.1358	9.9200	8.209	10.791	3.558	0.432
4-15/16 - 5	22228E1K	19	1.0630	7.7232	9.6700	8.211	10.789	3.566	0.432

Outer Ring Frequency = $N * RPM * (1 - (Bd * \cos a / Pd)) / 120$

Inner Ring Frequency = $N * RPM * (1 + (Bd * \cos a / Pd)) / 120$

Roller Spin Frequency = $Pd * RPM * (1 - (Bd * \cos a / Pd)^2) / (120 * Bd)$

Cage Frequency = $RPM * (1 - (Bd * \cos a / Pd)) / 120$

Pd = Pitch Diameter

N = Number of rollers

Bd = Roller Diameter

a = Contact Angle

Table 9: Split-Spherical Roller Bearing Parameters For Vibration Analysis

Bore Size	Basic Bearing Series	# Rollers Per Row	Diameter Of Rollers	Pitch Diameter	Contact Angle	Outer Ring Frequency Hz	Inner Ring Frequency Hz	*Roller Spin Frequency Hz	Cage Frequency Hz
2-3/16	22213SS	17	0.559	3.414	9.000	7.125	9.875	2.973	0.419
2-7/16	22215SS	18	0.551	3.748	9.083	7.693	10.307	3.328	0.427
2-11/16	22216SS	19	0.579	3.950	8.667	8.124	10.876	3.341	0.428
2-15/16	22217SS	20	0.575	4.153	8.250	8.630	11.370	3.545	0.431
3-3/16	22218SS	19	0.654	4.435	8.167	8.114	10.886	3.321	0.427
3-7/16	22220SS	18	0.780	5.079	8.833	7.635	10.365	3.183	0.424
3-15/16 - 4	22222SS	18	0.878	5.634	9.000	7.615	10.385	3.132	0.423
4-3/16	22224SS	17	1.110	6.203	9.417	7.000	10.000	2.708	0.412
4-7/16 - 4-1/2	22226SS	18	1.047	6.727	9.417	7.618	10.382	3.136	0.423
4-15/16	22228SS	18	1.118	7.202	9.750	7.623	10.377	3.145	0.424
5-3/16	22230SS	18	1.217	7.822	9.583	7.620	10.380	3.139	0.423
5-7/16	22232SS	18	1.315	8.442	9.500	7.617	10.383	3.134	0.423
5-15/16 - 6	22234SS	18	1.409	9.059	9.667	7.620	10.380	3.138	0.423
6-7/16 - 6-1/2	22236SS	18	1.409	9.059	9.667	7.620	10.380	3.138	0.423
6-15/16 - 7	22238SS	18	1.559	10.021	9.417	7.619	10.381	3.138	0.423
7-3/16	22240SS	16	1.579	10.716	9.417	6.837	9.163	3.322	0.427
7-1/2 - 8	22244SS	16	1.752	11.257	9.500	6.772	9.228	3.137	0.423
8-1/2 - 9	23048SS	20	1.307	11.189	8.083	8.843	11.157	4.223	0.442
9-1/2	23052SS	22	1.339	11.949	8.417	9.781	12.219	4.408	0.445
10	23056SS	20	1.539	13.175	8.667	8.845	11.155	4.222	0.442

Outer Ring Frequency = $N * RPM * (1 - (Bd * \cos a / Pd)) / 12$

Inner Ring Frequency = $N * RPM * (1 + (Bd * \cos a / Pd)) / 120$

Roller Spin Frequency = $Pd * RPM * (1 - (Bd * \cos a / Pd)^2) / (120 * Bd)$

Cage Frequency = $RPM * (1 - (Bd * \cos a / Pd)) / 120$

Pd = Pitch Diameter

N = Number of rollers

Bd = Roller Diameter

a = Contact Angle

*** Note:** Ball and Roller Spin Frequencies are listed at one (1X) roller spin frequency. For thorough analysis it is important to check frequency level at two (2X) rotational speed of balls or rollers as this is the frequency that a single ball/roller defect will contact the raceways of the bearing. In other words, a ball/roller defect will strike both inner and outer ring in one revolution of the roller.

Table 10: USDAF Spherical Roller Bearing Parameters For Vibration Analysis (1-RPS)

Bore Size	Basic Bearing Series	# Rollers Per Row	Diameter of Rollers	Pitch Diameter	Contact Angle	Outer Ring Frequency Hz	Inner Ring Frequency Hz	* Roller Spin Frequency Hz	Cage Frequency Hz
10-15/16 - 11	23060K	27	1.575	15.066	9.500	12.108	14.892	4.732	0.448
11-7/16 - 12	23064K	28	1.575	15.850	9.333	12.627	15.373	4.983	0.451
12-7/16 - 12-1/2	23068K	27	1.732	17.007	9.500	12.144	14.856	4.860	0.450
12-15/16 - 13-1/2	23072K	28	1.732	17.793	9.333	12.655	15.345	5.089	0.452
13-15/16 - 14	23076K	30	1.732	18.587	9.000	13.620	16.381	5.320	0.454
15	23080K	29	1.929	19.822	9.167	13.107	15.893	5.091	0.452
15-3/4	23084K	30	1.929	20.609	9.000	13.613	16.387	5.296	0.454
<hr/>									
9-7/16 - 9-1/2	23152K	23	1.693	13.914	12.500	10.134	12.866	4.051	0.441
10-7/16 - 10-1/2	23156K	24	1.732	14.711	12.000	10.618	13.382	4.191	0.442
10-15/16 - 11	23160K	23	1.89	15.923	12.333	10.167	12.834	4.156	0.442
11-15/16 - 12	23164K	23	2.087	17.044	12.833	10.127	12.873	4.025	0.440
12-7/16 - 12-1/2	23168K	23	2.244	18.272	12.833	10.123	12.877	4.013	0.440
13-7/16 - 13-1/2	23172K	24	2.244	19.077	12.333	10.621	13.379	4.195	0.443
13-15/16 - 14	23176K	25	2.323	19.833	12.000	11.068	13.932	4.213	0.443
<hr/>									
8-15/16 - 9	23248K	20	1.929	13.523	14.000	8.616	11.384	3.438	0.431
9-7/16 - 9-1/2	23252K	19	2.126	14.745	14.000	8.171	10.829	3.400	0.430
10-7/16 - 10-1/2	23256K	20	2.126	15.537	13.583	8.670	11.330	3.590	0.434
10-15/16 - 11	23260K	20	2.323	16.706	13.833	8.650	11.350	3.530	0.433
11-15/16 - 12	23264K	20	2.441	17.878	14.000	8.675	11.325	3.598	0.434
12-7/16 - 12-1/2	23268K	20	2.638	19.048	14.167	8.657	11.343	3.545	0.433

Outer Ring Frequency = $N * RPM * (1 - (Bd * \cos a / Pd)) / 120$

Inner Ring Frequency = $N * RPM * (1 + (Bd * \cos a / Pd)) / 120$

Roller Spin Frequency = $Pd * RPM * (1 - (Bd * \cos a / Pd)^2) / (120 * Bd)$

Cage Frequency = $RPM * (1 - (Bd * \cos a / Pd)) / 120$

Pd = Pitch Diameter

N = Number of rollers

Bd = Roller Diameter

a = Contact Angle

*** Note:** Ball and Roller Spin Frequencies are listed at one (1X) roller spin frequency. For thorough analysis it is important to check frequency level at two (2X) rotational speed of balls or rollers as this is the frequency that a single ball/roller defect will contact the raceways of the bearing. In other words, a ball/roller defect will strike both inner and outer ring in one revolution of the roller.

Mounted Bearings Life Adjustment Factor

1.1 GENERAL. For certain applications, it is desirable to specify life for reliability other than 90%. In such cases a life adjustment factor for reliability may be applied to the RATING LIFE. Section 1.2 discusses life adjustment factors for reliability.

Some bearing steels; e.g., vacuum-melted steels, and improved processing techniques, permit manufacture of bearings which offer endurance greater than that calculated by the RATING LIFE formula. Section 1.3 recommends methods to incorporate life adjustment factors for bearing materials into the life formula.

Bearing life calculated according to the RATING LIFE formula assumes proper application conditions. If lubrication is not adequate, loading unusual, or temperatures extreme, the ability of the bearing to attain or exceed the RATING LIFE is seriously impaired. Section 1.4 contains some basic recommendations concerning the effect of unusual application conditions on bearing life.

1.2 LIFE ADJUSTMENT FACTOR FOR RELIABILITY. Bearing life estimated in accordance with this standard is RATING LIFE; i.e., the life associated With 90% reliability or the life which 90% of a group of apparently identical bearings in a given application under similar conditions of load and speed will complete or exceed. While RATING LIFE has proven useful over a period of years as a criterion of performance, some applications require definition of life at reliabilities greater than 90%.

To determine bearing life with reliabilities other than 90% (as previously calculated in the Selection Procedure) the L_{10} must be adjusted by factor a_1 , such that $L_n = a_1 \times L_{10}$.

The life adjustment factors for reliability from Table 11 are recommended.

Table 11: Life Adjustment Factors For Reliability

Reliability %	L_n	Life Adjustment Factor for Reliability a_1
90	L_{10}	1
95	L_5	0.62
96	L_4	0.53
97	L_3	0.44
98	L_2	0.33
99	L_1	0.21

1.3 LIFE ADJUSTMENT FACTOR FOR MATERIAL. For bearings, which incorporate improved materials and processing, the L_{10} (as previously calculated in the Selection Procedure) must be adjusted by factor a_2 . Factor a_2 depends upon steel analysis, metallurgical processing, forming methods, heat treatment and manufacturing methods in general.

Bearings fabricated from consumable vacuum remelted steels and certain other special analysis steels have demonstrated extraordinarily long endurance. These steels are of exceptionally high quality, and bearings fabricated from these are usually considered special manufacture. As such, a_2 values will not be specified for such steels in this discussion. Generally, a_2 values for such steels can be obtained from the bearing manufacturer.

Mounted Bearings Life Adjustment Factor

1.4 LIFE ADJUSTMENT FACTOR FOR APPLICATION CONDITIONS.

Application conditions which affect bearing life include:

1. Lubrication.
2. Load distribution (including effects of clearance, misalignment, housing, and shaft stiffness, type of loading and thermal gradients).
3. Temperature.
Consideration of (1.2) and (1.3) above requires analytical and experimental techniques beyond the scope of this discussion, therefore, the user should consult the bearing manufacturer for evaluations and recommendations.

In most bearing applications, lubrication serves to separate the rolling surfaces; i.e., rolling elements and raceways; to reduce retainer-rolling elements and retainer-land friction and sometimes to act as a coolant to remove frictional heat generated by the bearing.

If all limitations and qualifications specified by this discussion are observed, then the life adjustment application factor for bearings which are adequately lubricated is 1; i.e., $a_3=1$.

Operating conditions where a_3 might be less than 1 include:

- a) Exceptionally low values of N_{dm} (rpm times bore diameter in mm); e.g., N_{dm} 1000.
- b) Lubricant viscosity less than 20.4 centistokes (100 SUS) at operating temperature.
- c) Excessively high operating temperatures.
When a_3 is less than 1, it may not be assumed that the deficiency in lubrication can be overcome by using an improved steel.

1.5 FACTOR COMBINATIONS. A fatigue life formula including the life adjustment factors is:

Ball Bearings:

$$L_n = a_1 \times a_2 \times a_3 \left(\frac{C^*}{P} \right)^3 \times \frac{(16.667)}{\text{RPM}}$$

Tapered Roller Bearings:

$$L_n = a_1 \times a_2 \times a_3 \left(\frac{C_{90}^*}{P} \right)^{10/3} \times \frac{(1,500,000)}{\text{RPM}}$$

Spherical Roller Bearings:

$$L_n = a_1 \times a_2 \times a_3 \left(\frac{C^*}{P} \right)^{10/3} \times \frac{(16.667)}{\text{RPM}}$$

Indiscriminate application of the life adjustment factors in this formula may lead to serious over-estimation of bearing endurance, since fatigue life is only one criterion for bearing selection.

Care must be exercised to select bearings which are of sufficient size for the application. Undersizing of shaft and housing structures by using bearings which appear adequate from a life standpoint could lead to misalignment and fitting problems which could invalidate the formulas in this discussion.

* C = Basic Load Rating computed in accordance with ABMA-ANSI Standards. $C_{90} = C \times .259$

V-Belt Drive Formulas

V-belt tensioning In cases where tensioning of a drive effects belt pull and bearing loads, the following formulas may be used.

$$T_1 - T_2 = 33,000 \left(\frac{HP}{V} \right)$$

where: T_1 = tight side tension, pounds
 T_2 = slack side tension, pounds
 HP = design horsepower
 V = belt speed, feet per minute

$$T_1 + T_2 = 33,000 (2.5 - G) \left(\frac{HP}{GV} \right)$$

where: T_1 = tight side tension, pounds
 T_2 = slack side tension, pounds
 HP = design horsepower
 V = belt speed, feet per minute
 G = arc of contact correction factor*

$$T_1/T_2 = \frac{1}{1 - 0.8G} \quad (\text{Also } T_1/T_2 = e^{K\phi})$$

where: T_1 = tight side tension, pounds
 T_2 = slack side tension, pounds
 G = arc of contact correction factor*
 e = base of natural logarithms
 K = .51230, a constant for V-belt drive design
 ϕ = arc of contact in radians

$$T_1 = 41,250 (HP/GV)$$

where: T_1 = tight side tension, pounds
 HP = design horsepower
 V = belt speed, feet per minute
 G = arc of contact correction factor

$$T_2 = 33,000 (1.25 - G) (HP/GV)$$

where: T_2 = slack side tension, pounds
 HP = design horsepower
 V = belt speed, feet per minute
 G = arc of contact correction factor

Belt Speed

$$V = \frac{(PD) (RPM)}{3.82} = (PD) (rpm) (.262)$$

where: V = belt speed, feet per minute
 PD = pitch diameter of sheave or pulley
 rpm = revolutions per minute of the same sheave or pulley

* See Table 12 at left

Table 12: Arc of Contact Correction Factor G

D-d C	Small Sheave Arc of Contact	Factor G	D-d C	Small Sheave Arc of Contact	Factor G
.00	180°	1.00	.80	133°	.87
.10	174°	.99	.90	127°	.85
.20	169°	.97	1.00	120°	.82
.30	163°	.96	1.10	130°	.80
.40	157°	.94	1.20	106°	.77
.50	151°	.93	1.30	99°	.73
.60	145°	.91	1.40	91°	.70
.70	139°	.89	1.50	83°	.65

D = Diam. of large sheave. d = Diam. of small sheave
 C = Center distance

Table 13: Allowable Sheave Rim Speed

Sheave Material	Rim Speed in Feet per Minute
Cast Iron	6,500
Ductile Iron	8,000
Steel	10,000

NOTE: Above rim speed values are maximum for normal considerations. In some cases these values may be exceeded. Consult factory and include complete details of proposed application.

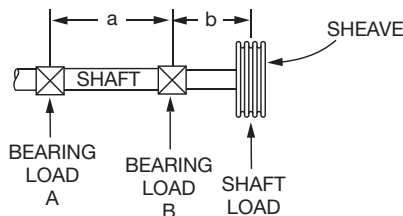
$$\text{Dynamic balance RPM for Sheave/Sprocket } \phi = \frac{15600}{\sqrt{\text{Dia} \times \text{Face Width}}}$$

⚡ **Note:** MPTA recommends Dynamic balance when application RPM exceeds this value.

Bearing Load Calculations

To find actual bearing loads, it is necessary to know machine component weights and values of all other forces contributing to the load. Sometimes it becomes desirable to know the bearing load imposed by the V-belt drive

alone. This can be done if you know bearing spacing with respect to the sheave center and shaft load and apply it to the following formulas:

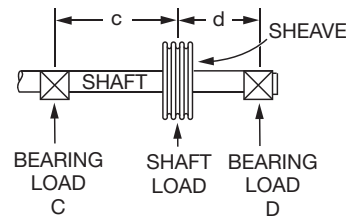


Overhung Sheave

$$\text{Load at B, lbs.} = \frac{\text{Shaft Load} \times (a + b)}{a}$$

$$\text{Load at A, lbs.} = \text{Shaft Load} \times \frac{b}{a}$$

Where: a and b = Spacing, inches



Sheave Between Bearings

$$\text{Load at D, lbs.} = \frac{\text{Shaft Load} \times c}{c + d}$$

$$\text{Load at C, lbs.} = \frac{\text{Shaft Load} \times d}{c + d}$$

Where: c and d = Spacing, inches

Nominal V-Belt Cross Sections

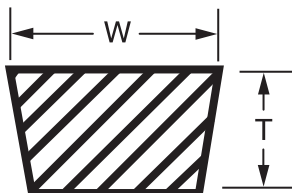


Table 14: Nominal V-Belt Cross Sections

Belt Section	Industry Standard Description	Width W, in Inches	Thickness T, in Inches
3L	FHP, Single	3/8	7/32
4L		1/2	5/16
5L		21/32	3/8
3V	Narrow	3/8	5/16
5V		5/8	17/32
8V		1	29/32
A	Classical Multiple	1/2	5/16
B		21/32	13/32
C		7/8	17/32
D		1-1/4	3/4

Table 15: Maximum Pulley RPM*

Pulley Dia. Inches	FPM												
	100	150	200	250	300	350	400	500	600	700	800	900	1000
6	64	95	127	159	191	223	254	318	382	445	509	573	636
8	48	72	95	119	143	167	191	239	286	334	382	429	477
10	38	57	76	95	115	134	153	191	229	267	305	344	382
12	32	48	64	80	95	111	127	159	191	223	254	286	318
14	27	41	55	68	82	95	109	136	164	191	218	245	273
16	24	36	48	60	72	83	95	119	143	167	191	215	239
18	21	32	42	53	64	74	85	106	127	148	170	191	212
20	19	29	38	48	57	67	76	95	115	134	153	172	191
24	16	24	32	40	48	56	64	80	95	111	127	143	159
30	13	19	25	32	38	45	51	64	76	89	102	115	127
36	11	16	21	27	32	37	42	53	64	74	85	95	106
42	9	14	18	23	27	32	36	45	55	64	73	82	91
48	8	12	16	20	24	28	32	40	48	56	64	72	80
54	7	11	14	18	21	25	28	35	42	49	57	64	71
60	6	10	13	16	19	22	25	32	38	45	51	57	64

* Maximum RPM values shown are based on 6,500 feet per minute for standard cast iron products. For higher rim speeds, contact Dodge Technical Support at 1-864-284-5700
For values not shown use formula below:

$$\text{Max RPM} = \frac{6,500}{.2618 \times D}$$

D = Pulley Diameter, Inches

ENGINEERING

Table 16: Material Characteristics

MATERIAL	DENSITY (LB/FT ³)	ANGLE OF REPOSE (DEG)	RECOMMENDED MAXIMUM INCLINATION	MATERIAL	DENSITY (LB/FT ³)	ANGLE OF REPOSE (DEG)	RECOMMENDED MAXIMUM INCLINATION
Alfalfa, Ground	16	45°		Corn, Shelled	45	25°	10
Alum, Lumpy	50 - 60	35°		Corn Sugar	30	35°	
Alum, Pulverized	45 - 50	35°		Corn Grits	40 - 45	35°	
Alumina	60	30°	10-12	Cornmeal	32- 40	35°	22
Aluminum Oxide	70 - 120	30°		Cottonseed, Dry, De-Linted	35	35°	16
Ammonium Sulphate	45 - 60	45°		Cottonseed, Dry, Not De-Linted	18- 25	45°	19
Asbestos, Shredded	20 - 25	45°		Cottonseed, Cake, Lumpy	40- 45	35°	
Ashes, Dry	35 - 40	45°		Cottonseed, Hulls	12	45°	
Ashes, Wet	45 - 50	45°		Cottonseed, Meal	35- 40	35°	22
Ashes, Soft Coal	35 - 45	40°		Cottonseed, Meats	40	35°	
Asphalt, Crushed	45	35°		Cryolite	90-110	35°	
Bagasse	7.50	45°		Cullet	80-120	35°	20
Bakelite, Powder	30 - 40	45°		Diatomaceous Earth	11 - 14	35°	
Baking Powder	40 - 50	35°		Dolomite, Lumpy	90-100	35°	22
Bark, Wood Refuse	10 - 20	45°		Dolomite, Pulverized	46	40°	
Barley	38	25°	10-15	Earth, Dry"	70 - 80	35°	20
Basalt	80 - 120	25°		Earth, Moist	75-110	40°	23
Bauxite, Crushed	75 - 85	35°	20	Earth, Fullers Dry	30 - 35	23°	20
Beans, Castor, Whole	30 - 45	25°	8-10	Emery	225	25°	
Beans, Cocoa	30 - 45	35°		Epsom Salt	40 - 50	35°	
Beans, Navy	50	25°		Feldspar, Lumps	70-100	35°	17
Beans, Whole	45	45°		Feldspar, Dust	80-100	40°	
Bentonite, Crude	35 - 40	45°		Fish, Meal	35 - 40	40°	
Bentonite, Fine	50 - 60	45°		Fish, Scrap	40 - 50	0°	
Bones, Pulverized	50 - 60	45°		Flaxseed, Whole	45	25°	12
Borax, Fine	50 - 55	35°		Flaxseed, Meal	25	35°	
Borax Coarse	60 - 70	35°		Flour, Wheat	35 - 40	45°	21
Bran	16	35°		Flue Dust, Dry	30 - 40	20°	
Brewers Grain, Dry	25 - 35	45°		Fluorspar, Dust	85 - 95	45°	
Brewers Grain, Wet	55 - 60	45°		Fluorspar, Lumps	80-110	45°	
Buck Wheat	40	25°	11-13	Foundry, Refuse	60 - 80	35°	
Calcium, Carbide	70 - 80	35°		Foundry Sand, Loose	80 - 90	35°	
Carbon Black, Pellets	25	25°		Foundry Sand, Rammed	100-110	0°	
Carbon Black, Powder	5	35°		Galena	250	35°	
Cast Iron Chips	100 -120	45°		Garbage, Average	30	25°	
Cement, Clinker	75 - 90	35°		Glass, Batch Fiber	45 - 55	10°	
Cement, Portland	80 -100	35°	20-23	Glass, Batch Wool	80-100	35°	20-22
Chalk, Fine	65 - 75	45°		Glass, Broken	80-100	10°	
Chalk, Lumpy	80 - 95	45°		Glue, Animal, Flaked	35	25°	
Charcoal, Wood	15 - 30	35°	20-25	Glue, Vegetable, Powdered	40	35°	
Chromium Ore	125 - 140	35°		Gluten, Meal	39	35°	
Cinders, Coal	40	35°		Granite, Lumps	150 -170	25°	
Clay, Dry, Fine	100 - 120	35°	20-22	Graphite, Flakes	40	35°	
Clay, Dry, Lumpy	60 - 75	35°	18-20	Graphite, Powder	30	25°	
Coal, Anthracite, Coarse	60 - 70	35°	18	Graphite, Ore	65 - 75	35°	
Coal, Anthracite, Loose	50 - 60	30°	16	Grass Seed	10	35°	
Coal, Bituminous, Coarse	50 - 60	35°	18	Gravel, Dry	90-100	35°	15-17
Coal, Bituminous, Loose	45 - 50	35°	16	Gravel, Wet	100-120	35°	
Cocoa Nibs	35 - 40	35°		Gypsum, Lumps	90-100	35°	15
Coconut, Shredded	20 - 25	45°		Gypsum, Ground	75 - 80	35°	21
Coffee, Fresh Beans	30 - 40	35°	10-15	Hay, Loose	5	0°	
Coffee, Roasted Beans	22 - 30	25°		Hay, Pressed	25	0°	
Coke, Loose	23 - 32	35°	18	Hominy	35 - 50	35°	
Coke Pulverized	25 - 35	45°	20-22	Hops, Spent, Dry	25 - 35	45°	
Coke, Petroleum Calcinated	35 - 45	35°	20	Hops, Spent, Wet	55 - 60	45°	
Concrete, Cinder	112	0°	12-30	Ice, Crushed	35 - 40	20-	
Concrete, Gravel & Sand	150	0°		Ilmenite Ore	140-160	35°	
Copper Ore	120 - 150	35°	20	Iron Ore	120-180	35°	18-20
Copper Sulfate	75 - 85	30°	17	Iron Ore, Pellets	120-140	35°	13-15
Cork, Ground	5 - 15	45°		Iron Sulphate	50 - 75	35°	
Corn, On Cob	45	0°		Iron Sulfide	120-140	35°	

Table 16: Material Characteristics (Continued)

MATERIAL	DENSITY (LB/FT ³)	ANGLE OF REPOSE (DEG)	RECOMMENDED MAXIMUM INCLINATION	MATERIAL	DENSITY (LB/FT ³)	ANGLE OF REPOSE (DEG)	RECOMMENDED MAXIMUM INCLINATION
Kaolin, Clay	60	35°	19	Rubber, Pellets	50 - 55	35°	22
Lactose	30	35°		Rubber, Ground Scrap	25 - 35	45°	18
Lead Ore, Crushed	180 - 270	30°		Rye	42 - 45	25°	8
Lead Oxides	60 - 150	40°		Rye Meal	35 - 40	20°	
Lead Sulfate	170 - 190	45°		Salt Cake	80 - 95	30°	21
Lead Sulfide	240 - 260	35°		Salt, Coarse"	45 - 55	35°	18-22
Lignite, Air Dried	45 - 55	35°		Salt, Fine"	70 - 80	35°	11
Lime, Ground	60 - 65	40°	23	Sand, Wet	110 - 130	45°	20-22
Lime, Hydrated	40	40°	21	Sand, Dry	90 - 110	35°	16-18
Lime, Pebble	30 - 40	40°	17	Sand, Loose, Foundry	80 - 100	35°	22
Limestone, Loose	80 - 100	35°	20	Sand, Foundry, Rammed	100 - 110	0°	24
Limestone, Pulverized	85 - 90	45°	18	Sandstone	80 - 90	35°	
Linseed, Whole	45 - 50	25°		Sawdust	10 - 25	30°	22
Linseed, Meal	30 - 40	35°	20	Scale, Rolling Mill	125 - 160	45°	
Magnesium Chloride	30 - 35	40°		Sewage Sludge, Dry	45 - 55	35°	
Magnesium Sulfate	40 - 60	35°		Sewage Sludge, Wet	50 - 60	35°	
Malt, Dry	25 - 30	30°		Shale, Broken	90 - 100	25°	
Malt, Wet	60 - 65	45°		Shale, Crushed	85 - 90	40°	22
Malt, Meal	35 - 40	35°		Silica Gel, Dry	45	35°	
Manganese Ore	125 - 140	40°		Slag, Blast Furnace	80 - 90	25°	10
Manganese Oxide	120	35°		Slag, Granular, Dry	60 - 65	25°	13-16
Manganese Sulfate	70	35°		Slag, Granular, Wet	90 - 100	45°	20-22
Manure	25	0°		Slate, Ground	80 - 90	30°	15
Marble, Crushed	80 - 95	35°		Slate, Lumps	85 - 95	0°	
Marl	80	35°		Snow, Compacted	15 - 50	0°	
Mica, Flakes	20	20°		Soap	10 - 25	35°	
Mica, Ground	15	35°	23	Soda Ash, Briquettes	50	20°	7
Milk, Dried, Flaked	5	35°		Soda Ash, Heavy	55 - 65	30°	19
Milk, Malted	25 - 35	45°		Soda Ash, Light	20 - 35	35°	22
Milk, Powdered	20 - 30	40°		Sodium Aluminum, Ground	72	35°	
Milo Maize	55 - 60	35°		Sodium Nitrate, Ground	70 - 80	24°	11
Molybdenum Ore	100 - 110	40°		Sodium Phosphate	50 - 65	35°	
Mortar, Wet	150	0°		Soybeans, Cracked	30 - 40	35°	15-18
Niacin	35	35°		Soybeans, Whole"	45 - 50	25°	12-16
Nickel-Cobalt Sulfate Ore	80 - 150	35°		Starch, Powdered	25 - 45	25°	12
Oats	25 - 35	25°	10	Steel, Chips	100 - 150	35°	18
Oats, Rolled	20	35°		Steel, Turnings	60 - 120	45°	
Oil Cake	50	45°		Sugar, Cane, Raw	55 - 65	45°	
Oxalic Acid Crystals	60	35°		Sugar, Granulated, Dry	50 - 55	35°	
Oyster Shells, Ground	50 - 60	35°		Sugar, Granulated, Wet	55 - 65	40°	
Oyster Shells, Whole	80	35°		Sugar Cane, Knifed	15 - 18	45°	
Paper Pulp Stock	40 - 60	20°		Sulphur, Lumps	80 - 85	35°	
Peanuts, Shelled	35 - 45	35°		Sulphur, Dust	50 - 70	35°	
Peanuts, Not Shelled	15 - 20	35°		Saconite, Pellets	120 - 140	35°	13-15
Peas, Dried	45 - 50	0°		Salc, Granulated	50 - 70	20°	
Phosphate, Fertilizer	50 - 60	35°	30	Titanium Dioxide	140	35°	
Phosphate, Rock, Crushed	60 - 100	35°	25	Titanium Sponge	60 - 70	45°	
Potash	70 - 80	30°		Tobacco, Leaves	14	45°	
Potassium Chloride	120 - 130	35°		Tobacco, Scraps	15 - 25	45°	
Potassium Nitrate	75 - 80	25°		Tobacco, Stems	15	45°	
Potassium Sulfate	45	45°		Traprock, Crushed	95 - 110	35°	
Potatoes, White"	48	0°		Traprock, Lumps	100 - 110	35°	
Pumice, Ground	40 - 45	45°		Turf	20 - 30	0°	
Pyrites, Lumps	135 - 145	25°		Walnut, Shells	35 - 45	35°	
Pyrites, Pellets	120 - 130	35°		Wheat	48	25°	12
Quartz, Lumps	95 - 100	25°		Wheat, Cracked	40 - 45	35°	
Quartz, Sand	70 - 80	25°		Wheat Germ, Dry	20 - 30	25°	27
Rice, Hulled	45 - 50	20°	8	Wood Chips	10 - 30	45°	22
Rice, Rough	35	35°		Zinc Ore, Granular	160	35°	
Rice, Grits	40 - 45	35°		Zinc Oxide	10 - 35	45°	
Rock, Crushed	100 - 150	30°					

Eccentric Collar Ball Bearing

Setscrew VSC Ball Bearing

Eccentric SXV Collar Ball Bearing

Take-Up Frames

Engineering

Part Number Index

Keyword Index

Shafting

Table 17: Typical Commercial Shaft Tolerances

Shaft Size	Plus	Minus
Up to 1-1/2"	.000	.002
Over 1-1/2 to 2-1/2"	.000	.003
Over 2-1/2 to 4"	.000	.004
Over 4 to 6"	.000	.005
Over 6 to 8"	.000	.006
Over 8 to 9"	.000	.007
Over 9"	.000	.008

Table 18: Shaft Tolerances

Shaft Size	Tolerance, Inches
Up to 1-1/2"	+ .0000 - .0005"
1-5/8 to 4"	+ .000 - .001"
4-7/16 to 6"	+ .000 - .0015"
6-7/16 to 8"	+ .000 - .002"

Table 18 lists the recommended tolerances for all setscrew locking, eccentric locking and D-LOK locking ball and roller bearings

Table 19: Shaft Tolerances

Shaft Size	Tolerance, Inches
Up to 1-1/2"	+ .000 - .002"
1-9/16 to 2-1/2"	+ .000 - .003"
2-5/8 to 4"	+ .000 - .004"
4-3/16 to 6"	+ .000 - .005"
6-7/16" and above	+ .000 - .006"

Table 19 list the recommended tolerances for all tapered adapter sleeve ball and roller bearings

Standard Shafting-Table 17 indicates standard shafting is cold drawn in the smaller sizes and turned and polished in the larger diameters. It has a smooth surface, is commercially straight and is readily machinable; suitable and recommended for general power transmission and material handling service.

Special Shafting-While standard shafting is suitable for most installations, special shafting is sometimes required for certain chemical, temperature or physical requirements. Such materials as high carbon steel, alloy steel, stainless steel, brass, Monel metal, etc., can be furnished plain or heat treated. Stepped, flanged, hollow or other special forms are available.

Special shafting should be avoided in favor of standard shafting wherever possible because special shafting is usually considerably more expensive and requires a greater length of time to obtain, which is an especially important consideration should quick replacement ever become necessary.

Ordering Shafting-Standard shafting can be obtained from most supply houses and dealers who handle power transmission material.

Turning Down Shaft Ends-When necessary to turn down shaft ends, use as large a fillet as possible to keep the stress concentration to a minimum. The radius of this fillet should preferably be not less than the difference in the two diameters joined by the fillet. The fillet should be finished and polished as smoothly as possible to avoid scratches which might start cracks and lead to failure of the shaft by fatigue.



ENGINEERING

Selection of Shaft Diameters

Tables 21 - 24 inclusive can be used to find approximate shaft diameter for various service conditions For greater accuracy use chart under heading "Combined Torsion and Bending of Standard Shafts" (B20-17).

Tables and chart are based upon a safe shear stress of 6,000 pounds per square inch for standard keyseated shafting. Be generous in the selection of shaft diameters as liberal diameters

not only reduce deflection and vibration but also generally increase bearing life.

When necessary to use other than standard shafting, find the required diameter for standard shafting as outlined above and multiply by proper factor shown in Table 25, under heading "Factors for Shafting Other than Standard Shafting, "(B20-16).

Table 20: No Bending Moment (Shafts without pulleys, sprockets or gears - Torsion only)

Shaft Size	Horse Power at Various Revolutions per Minute																		
	25	50	75	100	125	150	175	200	225	250	275	300	350	400	500	600	700	800	900
15/16	0.30	0.70	1.10	1.50	1.90	2.30	2.60	3.00	3.40	3.80	4.20	4.60	5.30	6.10	7.70	9.20	10.70	12.30	13.80
1-3/16	0.70	1.50	2.30	3.10	3.90	4.60	5.40	6.20	7.00	7.80	8.60	9.30	10.90	12.50	15.60	18.70	21.90	25.00	28.10
1-7/16	1.30	2.70	4.10	5.50	6.90	8.30	9.70	11.10	12.40	13.80	15.20	16.60	19.40	22.20	27.70	33.30	38.80	44.40	49.90
1-11/16	2.20	4.40	6.60	8.90	11.20	13.40	15.70	17.90	20.20	22.40	24.70	26.90	31.40	35.90	44.90	53.80	62.80	71.80	80.80
1-15/16	3.30	6.70	10.10	13.50	16.90	20.30	23.70	27.10	30.50	33.90	37.30	40.70	47.50	54.30	67.90	81.50	95.10	108.00	122.00
2-3/16	4.90	9.80	14.60	19.50	24.40	29.30	34.20	39.10	44.00	48.90	53.80	58.60	68.40	78.20	97.80	117.00	136.00	156.00	176.00
2-7/16	6.70	13.50	20.20	27.00	33.80	40.60	47.30	54.10	60.90	67.60	74.40	81.20	94.70	108.00	135.00	162.00	189.00	216.00	243.00
2-11/16	9.00	18.10	27.10	36.20	45.30	54.40	63.40	72.50	81.60	90.70	99.70	108.00	126.00	145.00	181.00	217.00	253.00	290.00	326.00
2-15/16	11.80	23.60	35.40	47.30	59.20	71.00	82.90	94.70	106.00	118.00	130.00	142.00	165.00	189.00	236.00	284.00	331.00	379.00	426.00
3-7/16	19.00	37.90	57.00	75.90	94.90	113.00	132.00	151.00	170.00	189.00	208.00	227.00	265.00	303.00	379.00	455.00	531.00	607.00	683.00
3-15/16	28.50	57.00	85.50	114.00	142.00	171.00	199.00	228.00	256.00	285.00	313.00	342.00	399.00	456.00	570.00	684.00	798.00	912.00	1026.00
4-7/16	40.80	81.60	122.00	163.00	204.00	245.00	286.00	327.00	367.00	408.00	449.00	490.00	572.00	653.00	816.00	980.00	1143.00	1306.00	1470.00

Table 21: Limited Bending Moment (Pulleys, sprockets or gears near bearings. Ordinary line shafts.)

Shaft Size	Horse Power at Various Revolutions per Minute																		
	25	50	75	100	125	150	175	200	225	250	275	300	350	400	500	600	700	800	900
15/16	0.20	0.50	0.70	1.00	1.20	1.50	1.70	2.00	2.30	2.50	2.80	3.00	3.50	4.10	5.10	6.10	7.10	8.20	9.20
1-3/16	0.50	1.00	1.50	2.00	2.60	3.10	3.60	4.10	4.70	5.20	5.70	6.20	7.30	8.30	10.40	12.50	14.60	16.70	18.80
1-7/16	0.90	1.80	2.70	3.70	4.60	5.50	6.40	7.40	8.30	9.20	10.10	11.10	12.90	14.80	18.50	22.20	25.90	29.60	33.30
1-11/16	1.40	2.90	4.30	5.90	7.40	8.90	10.40	11.90	13.40	14.90	16.40	17.90	20.90	23.90	29.90	35.90	41.90	47.90	53.90
1-15/16	2.20	4.50	6.70	9.00	11.30	13.60	15.80	18.10	20.40	22.60	24.90	27.20	31.70	36.20	45.30	54.40	63.40	72.50	81.60
2-3/16	3.20	6.50	9.70	13.00	16.30	19.50	22.80	26.10	29.30	32.60	35.80	39.10	45.60	52.20	65.20	78.30	91.30	104.00	117.00
2-7/16	4.50	9.00	13.50	18.00	22.50	27.00	31.60	36.10	40.60	45.10	49.60	54.10	63.20	72.20	90.20	108.00	126.00	144.00	162.00
2-11/16	6.00	12.10	18.10	24.20	30.20	36.30	42.30	48.40	54.40	60.50	66.50	72.60	84.70	96.80	121.00	145.00	169.00	193.00	217.00
2-15/16	7.90	15.80	23.70	31.60	39.50	47.40	55.30	63.20	71.10	79.00	86.90	94.80	110.00	126.00	158.00	189.00	221.00	252.00	284.00
3-7/16	12.60	25.30	37.90	50.60	63.30	75.90	88.60	101.00	113.00	126.00	139.00	151.00	177.00	202.00	253.00	303.00	354.00	405.00	455.00
3-15/16	19.00	38.00	57.00	76.10	94.10	114.00	133.00	152.00	171.00	190.00	209.00	228.00	266.00	304.00	380.00	456.00	532.00	608.00	685.00
4-7/16	27.00	54.00	81.00	108.00	136.00	163.00	190.00	217.00	245.00	272.00	299.00	326.00	381.00	435.00	544.00	653.00	762.00	871.00	980.00
4-15/16	37.00	75.00	112.00	150.00	187.00	225.00	262.00	300.00	337.00	375.00	412.00	450.00	525.00	600.00	750.00	900.00	1050.00	1200.00	1350.00
5-7/16	50.00	100.00	150.00	200.00	250.00	300.00	350.00	400.00	451.00	501.00	551.00	601.00	701.00	801.00	1002.00	1202.00	1403.00	1603.00	1804.00
5-15/16	65.00	130.00	195.00	261.00	326.00	391.00	456.00	522.00	587.00	652.00	717.00	783.00	913.00	1044.00	1305.00	1566.00	1827.00	2088.00	2349.00
6-1/2	85.00	171.00	256.00	342.00	427.00	513.00	598.00	684.00	769.00	855.00	940.00	1026.00	1197.00	1368.00	1710.00	2052.00	2394.00	2736.00	3078.00

ENGINEERING

Selection of Shaft Diameters (Continued)

Table 22: Heavy Bending Moment. (Use for main or important shafts.)

Shaft Size	Horse Power at Various Revolutions per Minute																		
	25	50	75	100	125	150	175	200	225	250	275	300	350	400	500	600	700	800	900
1-11/16	0.80	1.70	2.50	3.50	4.40	5.30	6.20	7.10	8.00	8.90	9.80	10.70	12.50	14.30	17.90	21.50	25.10	28.70	32.30
1-15/16	1.30	2.70	4.00	5.40	6.70	8.10	9.50	10.80	12.20	13.50	14.90	16.30	19.00	21.70	27.10	32.60	38.00	43.50	48.90
2-3/16	1.90	3.90	5.80	7.80	9.70	11.70	13.70	15.60	17.60	19.50	21.50	23.40	27.40	31.30	39.10	46.90	54.80	62.60	70.40
2-7/16	2.70	5.40	8.10	10.80	13.50	16.20	18.90	21.60	24.30	27.00	29.70	32.40	37.90	43.30	54.10	64.90	75.80	86.60	97.40
2-11/16	3.60	7.20	10.80	14.50	18.10	21.70	25.40	29.00	32.60	36.20	39.90	43.50	50.80	58.00	72.50	87.10	101	116	130
2-15/16	4.70	9.40	14.10	18.90	23.60	28.40	33.10	37.90	42.60	47.30	52.10	56.80	66.30	75.80	94.70	113	132	151	170
3-7/16	7.50	15.10	22.60	30.30	37.90	45.50	53.10	60.70	68.30	75.90	83.50	91.10	106	121	151	182	212	243	273
3-15/16	11.40	22.80	34.20	45.60	57.00	68.40	79.90	91.30	102	114	125	136	159	182	228	273	319	365	410
4-7/16	16.30	32.60	48.90	65.30	81.60	98.00	114	130	147	163	179	196	228	261	326	392	457	522	588
4-15/16	22.50	45.00	67.50	90.00	112	135	157	180	202	225	247	270	315	360	450	540	630	720	810
5-7/16	30.00	60.00	90.00	120	150	180	210	240	270	300	330	360	420	480	601	721	841	961	1082
5-15/16	39.00	78.00	117	156	195	234	273	313	352	391	430	469	547	626	782	939	1095	1252	1409
6-1/2	51.00	102	153	205	256	308	359	410	462	513	564	616	718	821	1027	1232	1437	1643	1848
7	64.00	128	192	256	320	384	448	513	577	641	705	769	897	1026	1282	1539	1795	2052	2308
7-1/2	78.50	157	235	315	394	473	552	631	709	788	867	946	1104	1262	1577	1893	2208	2524	2839
8	95.50	191	286	382	478	574	670	765	861	957	1053	1148	1340	1531	1914	2297	2680	3063	3446
8-1/2	114	229	343	459	574	688	803	918	1033	1148	1263	1377	1607	1837	2296	2755	3215	3674	4133
9	136	272	408	545	681	817	954	1090	1226	1363	1499	1635	1908	2181	2726	3271	3816	4362	4907
9-1/2	160	320	480	641	801	961	1122	1282	1442	1603	1763	1923	2244	2565	3206	3847	4488	5130	5771
10	186	373	559	747	934	1121	1308	1495	1682	1869	2056	2243	2617	2991	3739	4487	5235	5983	6731

Table 23: Severe Conditions (Heavy shock loads. Excessively tight belts, long clutch sleeves.)

Shaft Size	Horse Power at Various Revolutions per Minute																		
	25	50	75	100	125	150	175	200	225	250	275	300	350	400	500	600	700	800	900
1-11/16	0.4	0.89	1.20	1.70	2.20	2.60	3.10	3.50	4.00	4.40	4.90	5.30	6.20	7.10	8.90	10.70	12.50	14.30	16.10
1-15/16	0.6	1.39	2.00	2.70	3.30	4.00	4.70	5.40	6.10	6.70	7.40	8.10	9.50	10.80	13.50	16.30	19.00	21.70	24.40
2-3/16	0.90	1.90	2.90	3.90	4.80	5.80	6.80	7.80	8.80	9.70	10.70	11.70	13.70	15.60	19.50	23.40	27.40	31.30	35.20
2-7/16	1.30	2.70	4.00	5.40	6.70	8.10	9.40	10.80	12.10	13.50	14.80	16.20	18.90	21.60	27.00	32.40	37.90	43.30	48.70
2-11/16	1.80	3.60	5.40	7.20	9.00	10.80	12.70	14.50	16.30	18.10	19.90	21.70	25.40	29.00	36.20	43.50	50.80	58.00	65.00
2-15/16	2.30	4.70	7.00	9.40	11.80	14.20	16.50	18.90	21.30	23.60	26.00	28.40	33.10	37.90	47.30	56.80	66.30	75.80	85.00
3-7/16	3.70	7.50	11.30	15.10	18.90	22.70	26.50	30.30	34.10	37.90	41.70	45.50	53.00	60.50	75.50	91.00	106	121	136
3-15/16	5.70	11.40	17.10	22.80	28.50	34.20	39.90	45.60	51.00	57.00	62.50	68.00	79.50	91.00	114	136	159	182	205
4-7/16	8.10	16.30	24.40	32.60	40.80	49.00	57.00	65.00	73.50	81.50	89.50	98.00	114	130	163	196	228	261	294
4-15/16	11.20	22.50	33.70	45.00	56.00	67.50	78.50	90.00	101	112	123	135	157	180	225	270	315	360	405
5-7/16	15.00	30.00	45.00	60.00	75.00	90.00	105	120	135	150	165	180	210	240	300	360	420	480	541
5-15/16	19.50	39.00	58.50	78.00	97.10	117	136	156	171	195	215	234	273	313	391	469	547	626	704
6-1/2	25.50	51.00	76.50	102.5	128	154	179	205	231	256	282	308	359	410	513	616	718	821	924
7	32.00	64.90	96.00	128	160	192	224	256	288	320	352	384	448	513	641	769	897	1026	1154
7-1/2	39.20	78.50	117	157	197	236	276	315	354	394	433	473	552	631	788	946	1104	1262	1419
8	47.70	95.50	143	191	239	287	335	382	430	478	526	574	670	765	957	1148	1340	1531	1723
8-1/2	57.00	114	171	229	287	344	401	459	516	574	631	688	803	918	1148	1377	1607	1837	2066
9	68.00	136	204	272	340	408	477	545	613	681	749	817	954	1090	1363	1635	1908	2181	2453
9-1/2	80.00	160	240	320	400	480	561	641	721	801	881	961	1122	1282	1603	1923	2244	2565	2885
10	93.00	186	279	373	467	560	654	747	841	934	1028	1121	1308	1495	1869	2243	2617	2991	3365

Caution: Be generous in the selection of shaft diameters as liberal diameters not only reduce deflection and vibration but also generally increase bearing life. See notes on next page.

Selection of Shaft Diameters (Continued)

Shaft Stiffness, Shaft Deflection-Standard shafting of adequate strength usually has a sufficiently large diameter to prevent excessive deflection in ordinary installations. It is wise to select shafting of generous diameter, as the greater the diameter, the greater the stiffness. A high tensile strength alloy shaft, although stronger, is no stiffer than a standard shaft of the same diameter.

While it is sometimes possible to use an alloy shaft of less diameter than a standard shaft of equal strength, this practice is usually inadvisable, as the deflection is increased.

Shafts carrying medium or long clutch sleeves should be especially generous.

High Speed Shafts - High speed sometimes causes shaft whipping or vibration. This can be prevented by making the shaft diameter generous and the distance between bearing centers short.

Location of the bearings close to wheels and couplings is advisable whether the shaft is transmitting heavy or light loads.

The use of high tensile strength alloy shafting instead of standard shafting is of no help in preventing vibration as this will not improve the stiffness nor deflection characteristics of the shaft.

Stepped Shafts - For a heavily loaded wheel, a shaft with a boss or enlarged section under the wheel and turned to a smaller diameter at the bearings often provides the most economical installation. The two different diameters should be joined by a very generous fillet, otherwise a dangerous concentration of stress will occur at the fillet. See heading -

“Turning Down Shaft Ends.” (B16-15).

Shaft Keyseats - Plain keyseats are preferable to round end keyseats in respect to causing the least concentration of stress. However, round end keyseats are often used because of design and assembly requirements. Ends left by the milling cutter should not project into babbitted or bronze bushed bearing, but may project under the sleeve of any DODGE anti-friction bearing.

Shaft diameters obtained from the tables or chart allow for the use of keyseats.

Shaft Bearings - On ordinary line shafting, bearings are commonly spaced about eight feet centers. On large diameter shafts, the spacing may be somewhat greater.

Wheels and clutches should be located near bearings to avoid dangerous bending, deflection and vibration.

Bearings should be mounted on adequate supports so that accurate alignment may be maintained. Shaft misalignment may cause shaft or bearing failure.

Shaft Couplings - Where a rigid coupling is used, it is preferable to have a bearing fairly close. Where a cutoff coupling or a flexible coupling is used, locate bearings close to each end of the coupling.

Expansion of Shafting - Where changes in the length of the shaft due to changes in temperature are to be expected and the bearings are mounted on supporting structures other than steel, consideration must be given to expansion. For more detailed information see B16-20, headed: “Expansion of Shafting.”

Factors for Shafting Other Than Standard Shafting

When it is necessary to use other than standard shafting, multiply required diameter for standard shafting as found in the tables or chart by proper factor from Table 24 below.

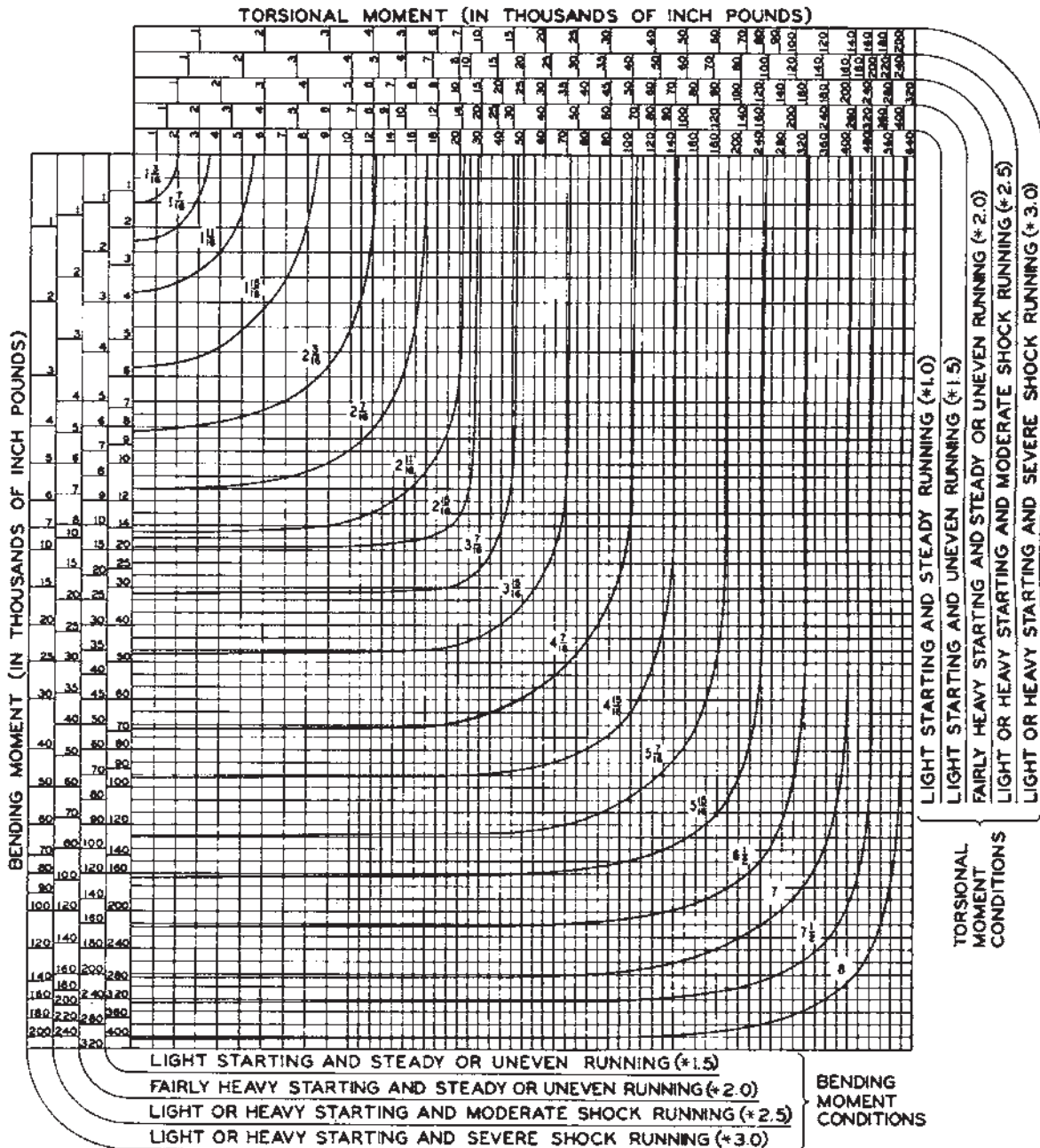
Standard keyseated shafting, using a safe shear stress of 6,000 PSI is the basis of shafting tables and chart. For safe shear stress of other materials, use 1/10 of nominal ultimate tensile strength. For example, use 8,000 for C1045 and 10,000 for 4140 keyseated shafting. When definite physical specifications are known the least of 13.5% of minimum ultimate tensile strength and 22.5% of minimum elastic limit in tension may be used for keyseated shafting; 18% and 30% respectively if not keyseated.

Caution - As the deflection of steel shafting depends upon the diameter and not upon the analysis of the steel, care should be exercised in the use of alloy shafting not to reduce the diameter unduly. Deflection should not be excessive and bearing capacities should be adequate. It is usually best to use standard shafting instead of a smaller diameter alloy shaft. The smaller alloy shaft may safely transmit the torque but often is undesirable in respect to deflection, vibration and bearing life

Table 24: Shear Stress Factors

Safe Shear Stress	Factor	Safe Shear Stress	Factor	Safe Shear Stress	Factor	Safe Shear Stress	Factor	Safe Shear Stress	Factor
500	2.289	3,000	1.260	5,500	1.029	9,000	.874	14,000	.754
1,000	1.817	3,500	1.197	6,000	1.000	10,000	.843	15,000	.737
1,500	1.587	4,000	1.145	6,500	.974	11,000	.817	16,000	.721
2,000	1.442	4,500	1.101	7,000	.950	12,000	.794	17,000	.707
2,500	1.339	5,000	1.063	8,000	.909	13,000	.773	18,000	.693

Combine Torsion and Bending of Standard Shaft (Based on a Safe Shear Stress of 6,000 PS for Keyseated Shafting)



Example: Engine extension shaft driving single cylinder compressor, 15,000 pound-inches torsional moment, 14,000 pound-inches bending moment. Because of the heavy shock running load conditions use scales designated "Light or Heavy Starting and Severe Shock Running". Project a line down from 15,000 torsional moment. Project a line to the right from 14,000 bending moment. The two lines intersect between 3-7/16 and 3-15/16 curves. Use 3-15/16 standard shafting.

Note: The above chart is based on ASME approved standard ASA-B17C-1927 withdrawn in 1954. If the latest shaft selection analysis is required refer to ANSI/ASME B106.1M-1985.

Note: If considering use of other shafting material refer to "Selection of Shaft Diameters" on page B16-18.

Expansion of Shafting

Provision should be made to permit the free movement of shafting endwise due to temperature changes. One bearing should serve as an anchor bearing to locate the shaft endwise. All other bearings should permit the shaft to move freely endwise.

The anchor bearing is often located near an important wheel. On long shafts it should preferably be located near the center of the shaft to keep the expansion of the two ends to a minimum. If the anchor bearing is babbitted it should be fitted with collars. If it is an anti-friction bearing it should be of the non-expansion type, which is the designation of DODGE roller and ball bearings for use as anchor bearings.

All bearings on the shafting other than the anchor bearing should permit the shaft to move freely endwise. If babbitted there should be no thrust collars. If anti-friction these bearings should be of the expansion type.

Several shafts firmly fastened together expand as if one continuous shaft. An example of this is line shafting with flange couplings. If the expansion is considered excessive a long line shaft may be split into two or more sections, the sections being connected with expansion couplings.

Amount of Expansion to be provided for-

The amount of shaft expansion is given in Table 25 below. For example, with a 100°F temperature rise on a 150 ft. line shaft with the anchor bearing located 70 ft. from one end and 80 ft. from the other end the ends will move .529" and .605"

respectively away from the anchor bearing. The structure supporting the bearings may also expand depending on heat exposure. Several cases follow:

Case 1 - Bearings supported on steel structures, where the shaft and structure are exposed to the same temperatures, will expand at the same rate. Expansion allowance is usually not required. If the shaft is exposed to a higher temperature than the support, allowances should be made. For example, if the shaft temperature is expected to change 80°, and the temperature of the structure 60°, the resulting movement between shafting and support ends will be equivalent to a 20° change.

Case 2 - For bearings supported on wood, brick, or concrete walls, or on piers with foundations in the ground, the amount of expansion is usually considered negligible. Therefore, the full amount of shafting expansion as calculated in Table 25 below, may be accommodated.

Case 3 - Certain structural designs have built-in flexibility. Where this is the case, expansion type bearings are not necessary.

Case 4 - Short shafts with only two bearings are usually designed without compensation for expansion, if temperature variations are not excessive.

Advice on Expansion Problems-

DODGE power transmission engineers will gladly make recommendations concerning shaft expansion problems and the use of suitable bearings.

Table 25: Linear Expansion of Steel Shafting

Base on Expansion In Inches = 0.000063 x 12 x Length in Feet x Temp. Increase in Degrees Fahrenheit

Length (Feet)	Temperature Increase-Degrees F.					Length (Feet)	Temperature Increase-Degrees F.				
	20°	40°	60°	80°	100°		20°	40°	60°	80°	100°
1	.0015	.0030	.0045	.0060	.0075	40	.060	.121	.181	.242	.302
2	.0030	.0060	.0091	.0121	.0151	45	.068	.136	.204	.272	.340
3	.0045	.0091	.0136	.0181	.0227	50	.076	.151	.227	.302	.378
4	.0060	.0121	.0181	.0242	.0302	55	.083	.166	.249	.333	.416
5	.0076	.0151	.0227	.0302	.0378	60	.091	.181	.272	.363	.454
6	.0091	.0181	.0272	.0363	.0454	65	.098	.197	.295	.393	.491
7	.0106	.0212	.0318	.0423	.0529	70	.106	.212	.317	.423	.529
8	.0121	.0242	.0363	.0484	.0605	75	.113	.227	.340	.454	.567
9	.0136	.0272	.0408	.0544	.0680	80	.121	.242	.363	.484	.605
10	.0151	.0302	.0454	.0605	.0756	85	.129	.257	.386	.514	.643
12	.0181	.0363	.0544	.0726	.0907	90	.136	.272	.408	.544	.680
14	.0212	.0423	.0635	.0847	.1058	95	.144	.287	.431	.575	.718
16	.024	.048	.073	.097	.121	100	.151	.302	.454	.605	.756
18	.027	.054	.082	.109	.136	110	.166	.333	.499	.665	.832
20	.030	.060	.091	.121	.151	120	.181	.363	.544	.726	.907
25	.038	.076	.113	.151	.189	130	.197	.393	.590	.786	.983
30	.045	.091	.136	.181	.227	140	.212	.423	.635	.847	1.058
35	.053	.106	.158	.212	.265	150	.227	.454	.680	.907	1.134



ENGINEERING

Weights and Properties of Steel Shafting

Table 26: Weight of Round Steel Shafting

Shaft Size	Weight of Shafting for Various Lengths in feet																	Weight Per Inc.
	1	2	3	4	5	6	7	8	9	10	12	14	16	18	20	22	24	
3/4	1.50	3.00	4.50	6.00	7.50	9.00	10.50	12.00	13.50	15.00	18.00	21.00	24.00	27.00	30.00	33.00	36.00	.125
7/8	2.00	4.00	6.10	8.10	10.20	12.20	14.30	16.30	18.40	20.00	25.00	29.00	33.00	37.00	41.00	45.00	49.00	.170
*15/16	2.30	4.70	7.00	9.40	11.70	14.10	16.50	18.80	21.20	23.00	28.00	33.00	38.00	42.00	47.00	52.00	56.00	.195
1	2.70	5.30	8.00	10.60	13.30	16.00	18.60	21.30	24.00	27.00	32.00	37.00	43.00	48.00	53.00	59.00	64.00	.223
1-1/8	3.40	6.80	10.00	13.40	16.70	20.10	23.40	26.70	30.10	34.00	41.00	47.00	54.00	61.00	68.00	74.00	81.00	.281
*1-3/16	3.80	7.60	11.30	15.10	18.90	22.60	26.40	30.10	34.00	38.00	45.00	53.00	60.00	68.00	75.00	83.00	90.00	.314
1-1/4	4.20	8.30	12.50	16.70	20.80	25.00	29.20	33.30	37.50	42.00	50.00	58.00	67.00	75.00	83.00	92.00	100	.348
1-3/8	5.00	10.10	15.30	20.20	25.30	30.30	35.40	40.40	45.40	50.00	60.00	71.00	81.00	91.00	101	111	121	.420
*1-7/16	5.50	11.00	17.00	22.00	28.00	33.00	39.00	44.00	50.00	55.00	66.00	77.00	88.00	99.00	110	121	133	.460
1-1/2	6.00	12.00	18.00	24.00	30.00	36.00	42.00	48.00	54.00	60.00	72.00	84.00	96.00	108	120	132	144	.500
*1-11/16	7.60	15.00	23.00	30.00	38.00	46.00	53.00	61.00	68.00	76.00	91.00	107	122	137	152	167	183	.634
*1-15/16	10.00	20.00	30.00	40.00	50.00	60.00	70.00	80.00	90.00	100	120	140	161	181	201	221	241	.835
2	10.70	21.00	32.00	43.00	53.00	64.00	75.00	85.00	96.00	107	128	150	171	192	214	235	256	.890
*2-3/16	12.80	26.00	38.00	51.00	64.00	77.00	90.00	102	115	128	153	179	205	230	256	281	307	1.06
*2-7/16	15.90	32.00	48.00	63.00	79.00	95.00	111	127	143	159	190	222	254	286	317	349	381	1.32
2-1/2	16.70	34.00	50.00	67.00	83.00	100	117	134	150	167	200	234	267	301	334	367	401	1.39
*2-11/16	19.30	39.00	58.00	77.00	97.00	116	135	154	174	193	232	270	309	348	386	425	463	1.61
*2-15/16	23.00	46.00	69.00	92.00	115	138	161	184	208	231	277	323	369	415	461	507	553	1.92
*3-7/16	31.60	63.00	95.00	126	158	189	221	253	284	316	379	442	505	568	631	695	758	2.63
*3-15/16	41.40	83.00	124	166	207	248	290	331	373	414	497	580	662	745	828	911	994	3.45
*4-7/16	52.60	105	158	210	263	315	368	421	473	526	631	736	841	946	1052	1157	1262	4.38
*4-15/16	65.10	130	195	260	326	391	456	521	586	651	781	911	1041	1172	1302	1432	1562	5.42
*5-7/16	79.00	158	237	316	395	474	553	632	711	790	947	1105	1263	1421	1579	1737	1894	6.58
*6	96.00	192	288	384	481	577	673	769	865	961	1154	1346	1538	1730	1923	2115	2307	8.01

* Recommended Diameters These shaft diameters are recommended for use whenever possible as various transmission items such as couplings, collars, clutches, pulleys, etc., are carried in stock in these sizes, at least up to 3-15/16", in the principal cities throughout the United States.

Table 27: Weight and Properties of Round Steel Shafting

Shaft Size	Weight per Inch	Section Modulus		Moment of Inertia		Shaft Size	Weight per Inch	Section Modulus		Moment of Inertia	
		Bending	Torsion	Bending	Torsion			Bending	Torsion	Bending	Torsion
1/16	.00087	.000024	.000048	.000001	.000002	2-7/16	1.32	1.422	2.844	1.733	3.466
1/8	.0035	.000192	.000383	.000012	.000024	2-1/2	1.39	1.534	3.068	1.918	3.835
3/16	.0078	.000647	.001294	.000061	.000121	2-9/16	1.46	1.652	3.304	2.117	4.233
1/4	.0139	.001534	.003068	.000192	.000383	2-5/8	1.53	1.776	3.552	2.331	4.661
5/16	.0217	.002996	.005992	.000468	.000936	2-11/16	1.61	1.906	3.811	2.561	5.122
3/8	.0313	.005177	.010354	.000971	.001941	2-3/4	1.68	2.042	4.084	2.807	5.615
7/16	.0425	.008221	.016442	.001798	.003597	2-13/16	1.76	2.184	4.368	3.071	6.143
1/2	.0556	.0123	.0245	.0031	.0061	2-7/8	1.84	2.333	4.666	3.354	6.707
9/16	.0703	.0175	.0349	.0049	.0098	2-15/16	1.92	2.489	4.977	3.655	7.310
5/8	.0868	.0240	.0479	.0075	.0150	3	2.00	2.651	5.301	3.976	7.952
11/16	.1051	.0319	.0638	.0110	.0219	3-1/16	2.08	2.820	5.640	4.318	8.636
3/4	.125	.0414	.0828	.0155	.0311	3-1/8	2.17	2.996	5.992	4.681	9.363
13/16	.1467	.0527	.1053	.0214	.0428	3-3/16	2.26	3.179	6.359	5.067	10.13
7/8	.1701	.0658	.1315	.0288	.0575	3-1/4	2.35	3.370	6.740	5.477	10.95
15/16	.1954	.0809	.1618	.0379	.0758	3-5/16	2.44	3.568	7.137	5.910	11.82
1	.22	.0982	.1963	.0491	.0982	3-3/8	2.53	3.774	7.548	6.369	12.74
1-1/16	.25	.1178	.2355	.0626	.1251	3-7/16	2.63	3.988	7.976	6.854	13.71
1-1/8	.28	.1398	.2796	.0786	.1573	3-1/2	2.72	4.209	8.419	7.366	14.73
1-3/16	.31	.1644	.3288	.0976	.1952	3-9/16	2.82	4.439	8.878	7.907	15.81
1-1/4	.35	.1917	.3835	.1198	.2397	3-5/8	2.92	4.677	9.353	8.476	16.95
1-5/16	.38	.2220	.4439	.1457	.2913	3-11/16	3.02	4.923	9.845	9.076	18.15
1-3/8	.42	.2552	.5104	.1755	.3509	3-3/4	3.13	5.177	10.35	9.707	19.41
1-7/16	.46	.2916	.5832	.2096	.4192	3-13/16	3.23	5.440	10.88	10.37	20.74
1-1/2	.50	.3313	.6627	.2485	.4970	3-7/8	3.34	5.712	11.42	11.07	22.14
1-9/16	.54	.3745	.7490	.2926	.5852	3-15/16	3.45	5.993	11.99	11.80	23.60
1-5/8	.59	.4213	.8425	.3423	.6846	4	3.56	6.283	12.57	12.57	25.13
1-11/16	.63	.4718	.9435	.3981	.7961	4-1/16	3.67	6.582	13.16	13.37	26.74
1-3/4	.68	.5262	1.052	.4604	.9208	4-1/8	3.78	6.891	13.78	14.21	28.42
1-13/16	.73	.5846	1.169	.5298	1.060	4-3/16	3.90	7.209	14.42	15.09	30.19
1-7/8	.78	.6471	1.294	.6067	1.213	4-1/4	4.01	7.536	15.07	16.01	32.03
1-15/16	.83	.7140	1.428	.6917	1.384	4-5/16	4.13	7.874	15.75	16.98	33.96
2	.89	.7854	1.571	.7854	1.571	4-3/8	4.25	8.221	16.44	17.98	35.97
2-1/16	.94	.8614	1.723	.8883	1.777	4-7/16	4.38	8.579	17.16	19.03	38.07
2-1/8	1.00	.9421	1.884	1.001	2.002	4-1/2	4.50	8.946	17.89	20.13	40.26
2-3/16	1.06	1.028	2.055	1.124	2.248	4-9/16	4.63	9.324	18.65	21.27	42.54
2-1/4	1.13	1.118	2.237	1.258	2.516	4-5/8	4.75	9.713	19.43	22.46	44.92
2-5/16	1.19	1.214	2.428	1.404	2.808	4-11/16	4.88	10.11	20.22	23.70	47.40
2-3/8	1.25	1.315	2.630	1.562	3.124	4-3/4	5.01	10.52	21.04	24.99	49.98

Weights and Properties of Steel Shafting (Continued)

Table 28: Weight and Properties of Round Steel Shafting

Table with 12 columns: Shaft Size, Weight per Inch, Section Modulus (Bending, Torsion), Moment of Inertia (Bending, Torsion). Rows list various shaft sizes from 4-13/16 to 13-1/4.

Vertical label on the right side: Eccentric Collar Ball Bearing

Vertical label on the right side: Setscrew VSC Ball Bearing

Vertical label on the right side: Eccentric SXV Collar Ball Bearing

Vertical label on the right side: Take-Up Frames

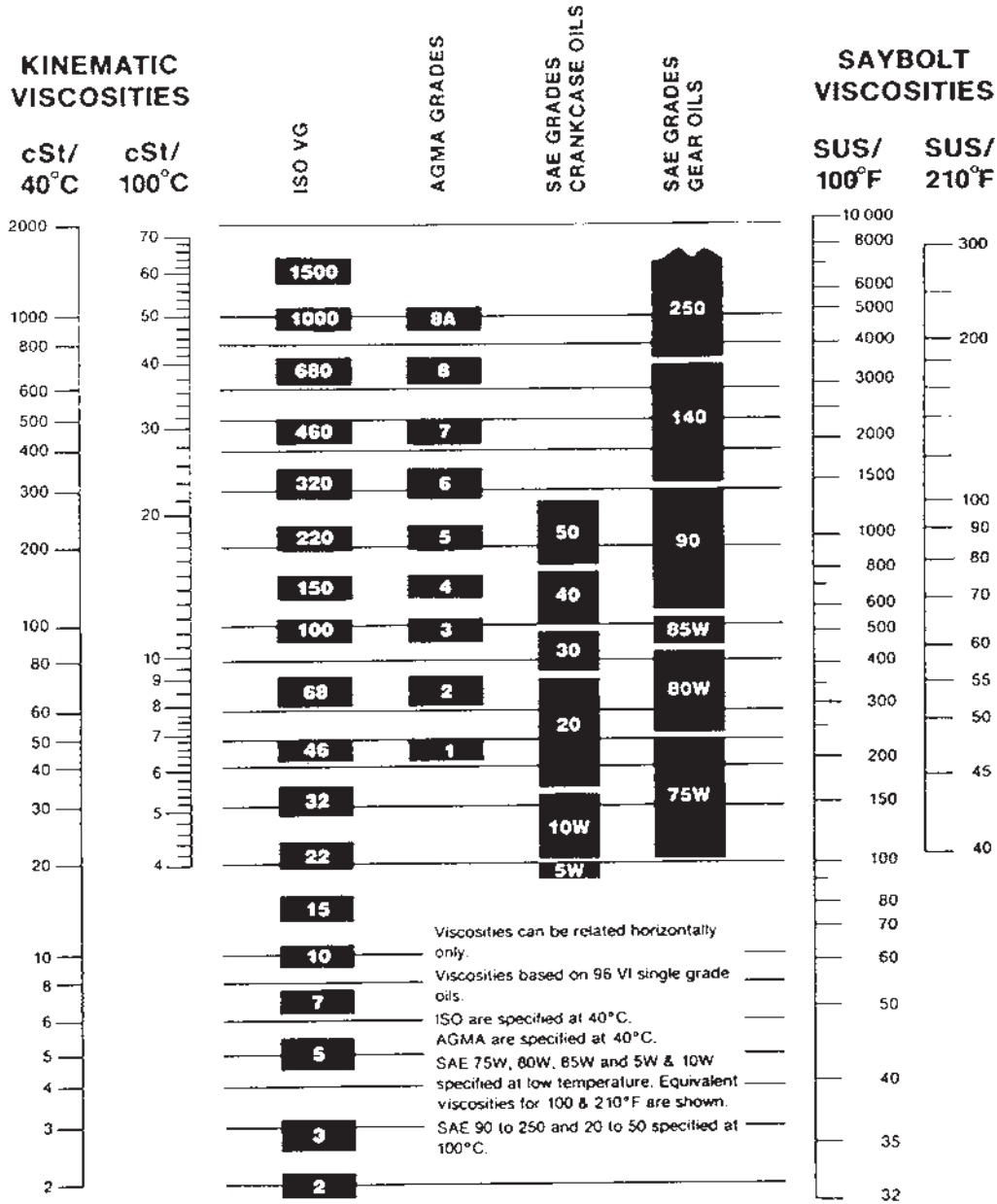
Vertical label on the right side: Engineering

Vertical label on the right side: Part Number Index

Vertical label on the right side: Keyword Index

Viscosity Classification Equivalents

OIL VISCOSITY EQUIVALENCY CHART



ISO VISCOSITY CLASSIFICATION SYSTEM

All industrial oils are graded according to the ISO Viscosity Classification System, approved by the International Standards Organizations (ISO). Each ISO viscosity grade number corresponds to the mid-point of viscosity range expressed in centistokes (cSt) at 40°C. For example, a lubricant with an ISO grade of 32 has a viscosity within the range of 28.80-35.2, the midpoint of which is 32.

Rule-of-Thumb: The comparable ISO grade of a competitive product whose viscosity in SUS at 100°F is known can be determined by using the following conversion formula:

$$\text{SUS @ 100° F} \div 5 = \text{cSt @ 40° C}$$

English Standard Measures

Long Measure

1 mile = 1760 yards = 5280 feet.
 1 yard = 3 feet = 36 inches.
 1 foot = 12 inches.

Surveyor's Measure

1 mile = 8 furlongs = 80 chains.
 1 furlong = 10 chains = 220 yards.
 1 chain = 4 rods = 22 yards = 66 feet = 100 links.
 1 link = 7.92 inches.

Square Measure

1 square mile = 640 acres = 6400 square chains.
 1 acre = 10 square chains = 4840 square yards = 43,560 square feet.
 1 square chain = 16 square rods = 484 square yards = 4356 square feet.
 1 square rod = 30.25 square yards = 272.25 square feet = 625 square links.
 1 square yard = 9 square feet.
 1 square foot = 144 square inches.
 An acre is equal to a square, the side of which is 208.7 feet.

Dry Measure

1 bushel (U.S. or Winchester struck bushel) = 1.2445 cubic foot = 2150.42 cubic inches.
 1 bushel = 4 pecks = 32 quarts = 64 pints.
 1 peck = 8 quarts = 16 pints.
 1 quart = 2 pints.
 1 heaped bushel = 1 1/4 struck bushel.
 1 cubic foot = 0.8036 struck bushel.
 1 British Imperial bushel = 8 Imperial gallons = 1.2837 cubic foot = 2218.19 cubic inches.

Liquid Measure

1 U.S. gallon = 0.1337 cubic foot = 231 cubic inches = 4 quarts = 8 pints.
 1 quart = 2 pints = 8 gills.
 1 pint = 4 gills.
 1 British Imperial gallon = 1.2003 U.S. gallon = 277.27 cubic inches.
 1 cubic foot = 7.48 U.S. gallons.

Circular and Angular Measure

60 seconds (") = 1 minute (')
 60 minutes = 1 degree (°)
 360 degrees = 1 circumference (C)
 57.3 degrees = 1 radian
 2 π radians = 1 circumference (C)

Specific Gravity

The specific gravity of a substance is its weight as compared with the weight of an equal bulk of pure water.
 For making specific gravity determinations the temperature of the water is usually taken at 62° F. when 1 cubic foot of water weighs 62.355 lbs. Water is at its greatest density at 39.20° F. or 4° Centigrade.

Temperature

The following equation will be found convenient for transforming temperature from one system to another:
 Let F = degrees Fahrenheit; C = degrees Centigrade; R = degrees Reamur.

$$F - 32 = \frac{C}{9} \times \frac{5}{4}$$

$$180 \quad 100 \quad 80$$

Avoirdupois or Commercial Weight

1 gross or long ton = 2240 pounds.
 1 net or short ton = 2000 pounds.
 1 pound = 16 ounces = 7000 grains.
 1 ounce = 16 drams = 437.5 grains.

Measures of Pressure

1 pound per square inch = 144 pounds per square foot = 0.068 atmosphere = 2.042 inches of mercury at 62 degrees F. = 27.7 inches of water at 62 degrees F. = 2.31 feet of water at 62 degrees F.
 1 atmosphere = 30 inches of mercury at 62 degrees F. = 14.7 pounds per square inch = 2116.3 pounds per square foot = 33.95 feet of water at 62 degrees F.
 1 foot of water at 62 degrees F. = 62.355 pounds per square foot = 0.433 pound per square inch.
 1 inch of mercury at 62 degrees F. = 1.132 foot of water = 13.58 inches of water = 0.491 pound per square inch.
 Column of water 12 in. high, 1 in. dia. = .341 lbs.

Cubic Measure

1 cubic yard = 27 cubic feet.
 1 cubic foot = 1728 cubic inches.
 The following measures are also used for wood and masonry:
 1 cord of wood = 4 X 4 X 8 feet = 128 cubic feet.
 1 perch of masonry = 16-1/2 X 1-1/2 X 1 foot = 24-3/4 cubic feet.

Shipping Measure

For measuring entire internal capacity of a vessel: 1 register ton = 100 cubic feet.
 For measurement of cargo:
 1 U.S. shipping ton = 40 cubic feet = 32.143 U.S. bushels = 31.16 Imperial bushels.
 British shipping ton = 42 cubic feet = 33.75 U.S. bushels = 32.72 Imperial bushels.

Troy Weight, Used for Weighing Gold and Silver

1 pound = 12 ounces = 5760 grains.
 1 ounce = 20 pennyweights = 480 grains.
 1 pennyweight = 24 grains.
 1 carat (used in weighing diamonds) = 3.086 grains.
 1 grain Troy = 1 grain avoirdupois = 1 grain apothecaries' weight.

Measure Used for Diameters and Areas of Electric Wires

1 circular inch = area of circle 1 inch in diameter = 0.7854 square inch.
 1 circular inch = 1,000,000 circular mils.
 1 square inch = 1.2732 circular inch = 1,273,239 circular mils.
 A circular mil is the area of a circle 0.001 inch in diameter.

Board Measure

One foot board measure is a piece of wood 12 inches square by 1 inch thick, or 144 cubic inches. 1 cubic foot therefore equals 12 feet board measure

ENGINEERING

TABLE 29: Decimal and Millimeter Equivalents of Fractions

Inches		Milli- meters	Inches		Milli- meters	Inches		Milli- meters		
Fractions	Decimals		Fractions	Decimals		Fractions	Decimals			
1/64		.015625	.397							
	1/32	.03125	.794	23/64	11/32	.34375	8.7319	11/16	.6875	17.463
3/64		.046875	1.191		3/8	.359375	9.128	45/64	.703125	17.859
	1/16	.0625	1.588	25/64		.375	9.525	23/32	.71875	18.256
5/64		.078125	1.984		13/32	.390625	9.922	47/64	.734375	18.653
	3/32	.09375	2.381	27/64		.40625	10.319	3/4	.750	19.050
7/64		.109375	2.778		7/16	4.21875	10.716	49/64	.765625	19.447
	1/8	.125	3.175	29/64		4.375	11.113	25/32	.78125	19.844
9/64		.140625	3.582		15/32	4.53125	11.509	51/64	.796875	20.241
	5/32	.15625	3.969	31/64		.46875	11.906	13/16	.8125	20.638
11/64		.171875	4.366		1/2	.48376	12.303	53/64	.828125	21.034
	3/16	.1875	4.763	33/64		.500	12.700	27/32	.84375	21.431
13/64		.203125	5.159		17/32	.515625	13.097	55/64	.859375	21.828
	7/32	.21875	5.556	35/64		.53125	13.494	7/8	.875	22.225
15/64		.234375	5.953		9/16	.546875	13.891	57/64	.890625	22.622
	1/41	.250	6.350	37/64		.5625	14.288	29/32	.90524	23.019
7/64		.265625	6.747		19/32	.578125	14.684	59/64	.921875	23.416
	9/32	.28125	7.144	39/64		.59375	14.081	15/16	.9375	23.813
19/64		.296875	7.541		5/8	.609375	15.478	61/64	.953125	24.209
	5/16	.3125	7.938	41/64		.625	15.875	31/32	.96875	24.606
21/64		.328125	8.334		21/32	.60625	16.272	63/64	.984375	25.003
				43/64		.65625	16.669	1	1.000	25.400
						.671875	17.066			

Eccentric Collar Ball Bearings

Setscrew WSC Ball Bearing

Eccentric SXV Collar Ball Bearing

Take-Up Frames

Engineering

Part Number Index

Keyword Index

Table 30: Millimeter-Inch Equivalents: 1" = 25.4mm (.03937" = 1mm)

Millimeter	Decimal	Millimeter	Decimal	Millimeter	Decimal	Millimeter	Decimal	Millimeter	Decimal
1	.03937	52	2.04724	103	4.05511	154	6.06299	205	8.07086
2	.07874	53	2.08661	104	4.09448	155	6.10236	206	8.11023
3	.11811	54	2.12598	105	4.13385	156	6.14173	207	8.14960
4	.15748	55	2.16535	106	4.17322	157	6.18110	208	8.18897
5	.19685	56	2.20472	107	4.21259	158	6.22047	209	8.22834
6	.23622	57	2.24409	108	4.25196	159	6.25984	210	8.26771
7	.27559	58	2.28346	109	4.29133	160	6.29921	211	8.30708
8	.31496	59	2.32283	110	4.33070	161	6.33858	212	8.34645
9	.35433	60	2.36220	111	4.37007	162	6.37795	213	8.38582
10	.39370	61	2.40157	112	4.40944	163	6.41732	214	8.42519
11	.43307	62	2.44094	113	4.44881	164	6.45669	215	8.46456
12	.47244	63	2.48031	114	4.48818	165	6.49606	216	8.50393
13	.51181	64	2.51968	115	4.52755	166	6.53543	217	8.54330
14	.55118	65	2.55905	116	4.56692	167	6.57480	218	8.58267
15	.59055	66	2.59842	117	4.60629	168	6.61417	219	8.62204
16	.62992	67	2.63779	118	4.64566	169	6.65354	220	8.66141
17	.66929	68	2.67716	119	4.68503	170	6.69291	221	8.70078
18	.70866	69	2.71653	120	4.72440	171	6.73228	222	8.74015
19	.74803	70	2.75590	121	4.76378	172	6.77165	223	8.77952
20	.78740	71	2.79527	122	4.80315	173	6.81102	224	8.81889
21	.82677	72	2.83464	123	4.84252	174	.685039	225	8.85826
22	.86614	73	2.87401	124	4.88189	175	6.88976	226	8.897.63
23	.90551	74	2.91338	125	4.92126	176	6.92913	227	8.93700
24	.94488	75	2.95275	126	4.96063	177	.696850	228	8.97637
25	.98425	76	2.99212	127	5.00000	178	7.00787	229	9.01574
26	1.02362	77	3.03149	128	5.03937	179	7.04724	230	9.05511
27	1.06299	78	3.07086	129	5.07875	180	7.08661	231	9.09448
28	1.10236	79	3.11023	130	5.11811	181	7.12598	232	9.13385
29	1.14173	80	3.14960	131	5.15749	182	7.16535	233	9.17322
30	1.18110	81	3.18897	132	5.19685	183	7.20472	234	9.21259
31	1.22047	82	3.22834	133	5.23622	184	7.24409	235	9.25196
32	1.25984	83	3.26771	134	5.27559	185	7.28346	236	9.29133
33	1.29921	84	.303708	135	5.31496	186	7.32283	237	9.33070
34	1.33858	85	3.34645	136	5.35433	187	7.36220	238	9.37007
35	1.37795	86	3.38582	137	5.39370	188	7.40157	239	9.40944
36	1.41732	87	.342519	138	.543307	189	7.44094	240	9.44881
37	1.45669	88	3.46456	139	.547244	190	7.48031	241	9.48818
38	1.49606	89	3.50393	140	5.51181	191	7.51968	242	9.52755
39	1.53543	90	3.54330	141	5.55118	192	7.55905	243	9.56692
40	1.57480	91	.358267	142	5.59055	193	7.59842	244	9.60629
41	1.61417	92	3.62204	143	5.62992	194	7.63779	245	9.64566
42	1.65354	93	3.66141	144	5.66929	195	7.67716	246	9.68503
43	1.69291	94	3.70078	145	5.70866	196	7.71653	247	9.72440
44	1.73228	95	3.74015	146	5.748.4	197	7.75590	248	9.76378
45	1.77165	96	3.77952	147	5.78740	198	7.79527	249	9.80315
46	1.81102	97	3.81899	148	5.82677	199	7.83464	250	9.84252
47	1.85039	98	3.85826	149	5.86614	200	7.87401	251	9.88189
48	1.88976	99	3.89763	150	5.90551	201	7.91338	252	9.92126
49	1.92913	100	3.93710	151	5.94488	202	7.95275	253	9.96063
50	1.96850	101	3.97637	152	5.98425	203	7.99221	254	10.00000
51	2.00787	102	4.01574	153	6.02362	204	8.03149	-	-

Eccentric Collar Ball Bearing

Setscrew VSC Ball Bearing

Eccentric SXV Collar Ball Bearing

Take-Up Frames

Engineering

Part Number Index

Keyword Index

Metric System of Measurements

Measures of Length

10	millimeters (mm.)	=	1 centimeter (cm.)
10	centimeters	=	1 decimeter (dm.)
10	decimeters	=	1 meter (m.)
1000	meter	=	1 kilometer (km.)

Measure of Weight

10	milligrams (mg.)	=	1 centigram (cg.)
10	centigrams	=	1 decigram (dg.)
10	decigrams	=	1 gram (g.)
10	grams	=	1 decagram (Dg.)
10	decagrams	=	1 hectogram (Hg.)
10	hectograms	=	1 Kilogram (Kg.)
1000	kilograms	=	1 (metric) ton (T.)

Surveyor's Square Measure

100	square meters (m.2)	=	1 are (ar.)
100	acres	=	1 hectare (har.)
100	hectares	=	1 sq. kilometer (Km.2)

Square Measure

100	sq. millimeters (mm.2)	=	1 sq. centimeter (cm.2)
100	sq. centimeters	=	1 sq. decimeter (dm.2)
100	sq. decimeters	=	1 sq. meter (m.2)

Cubic Measure

1000	cu. millimeters (mm.3)	=	1 cu. centimeter (cm.3)
1000	cu. centimeters	=	1 cu. decimeter (dm.3)
1000	cu. decimeters	=	1 cu. meter (m.3)

Dry and Liquid Measure

10	milliliters (ml.)	=	1 centiliter (cl.)
10	centiliters	=	1 deciliter (dl.)
10	deciliters	=	1 liter (l.)
100	liters	=	1 hectoliter (hl.)

1 liter = 1 cubic decimeter = the volume of 1 kilogram of pure water at a temperature of 39.2 degrees F.

Metric System of Measurements (Continued)

Millimeters X.039370 = inches.
 Meters x 39.370 = inches.
 Meters X 3.2808 = feet.
 Meters X 1.09361 = yards.
 Kilometers X 3,280.8 = feet.
 Kilometers X.62137 = Statute Miles.
 Kilometers x.53959 = Nautical Miles.

Grams X 981 = dynes.
 Grams X 15.432 = grains.
 Grams X.03527 = ounces (Avd.).
 Grams x.033818 = fluid ounces (water).
 Kilograms X 35.27 = ounces (Avd.).
 Kilograms X 2.20462 = pounds (Avd.).
 Metric Tons (1000 Kg.) X 1.10231 = Net Ton (2000 lbs.).
 Metric Tons (1000 Kg.) X.98421 = Gross Ton (2240 lbs.).

Square Millimeters X.00155 = square inches.
 Square centimeters X.155 = square inches.
 Square Meters X 10.76387 = square feet.
 Square Meters X 1.19599 = square yards.
 Hectares X 2.47104 = acres.
 Square Kilometers X 247.104 = acres.
 Square Kilometers X.3861 = square miles.

Cubic centimeters X.033818 = fluid ounces.
 Cubic centimeters X.061023 = cubic inches.
 Cubic centimeters X.271 = fluid drams.
 Liters X 61.023 = cubic inches.
 Liters X 1.05668 = quarts.
 Liters X .26417 = gallons.
 Liters X.035317 = cubic feet.
 Hectoliters X 26.417 = gallons.
 Hectoliters X 3.5317 = cubic feet.
 Hectoliters X 2.83794 = bushel (2150.42 cu. in.).
 Hectoliters X.1308 = cubic yards.
 Cubic Meters x 264.17 = gallons.
 Cubic Meters x 35.317 = cubic feet.
 Cubic Meters X 1.308 = cubic yards.

Calorie x 0.003968 = B.T.U.
 Joules X.7373 = pound-feet.
 Newton-Meters X 8.851 = pound-inches
 Cheval Vapeur X.9863 = Horsepower.
 Kilowatts X 1.34 = Horsepower.
 Kilowatt Hours X 3415 = B.T.U.
 (Degrees Cent. X 1.8) +32 = degrees Fahr.
 (Degrees Reamur X 2.25) + 32 = degrees Fahr.

Length Conversion Constants for Metric and U.S. Units

Inches X 25.4001 = millimeters.
 Inches X.0254 = meters.
 Feet x.30480 = meters.
 Yards X.91440 = meters.
 Feet x.0003048 = kilometers.
 Statute Miles X 1.60935 = kilometers.
 Nautical Miles x 1.85325 = kilometers.

Weight Conversion Constants for Metric and U.S. Units

Dynes X.0010193 = grams.
 Grains X.0648 = grams.
 Ounces (Avd.) X 28.35 = grams.
 Fluid Ounces (Water) X 29.57 = grams.
 Ounces (Avd.) X.02835 = kilograms.
 Pounds (Avd.) X.45359 = kilograms.
 Net Ton (2000 lbs.) X.90719 = Metric Tons (1000 Kg.).
 Gross Ton (2240 lbs.) X 1.01605 = Metric Tons (1000 Kg.).

Area Conversion Constants for Metric and U.S. Units

Square Inches X 645.163 = square millimeters.
 Square Inches x 6.45163 = square centimeters.
 Square Feet x.0929 = square meters.
 Square Yards X.83613 = square meters.
 Acres X.40469 = hectares.
 Acres X.0040469 = square kilometers.
 Square Miles X 2.5899 = square kilometers.

Volume Conversion Constants for Metric and U.S. Units

Fluid Ounces X 29.57 = cubic centimeters.
 Cubic Inches X 16.387 = cubic centimeters.
 Fluid Drams x 3.69 = cubic centimeters.
 Cubic Inches X.016387 = liters.
 Quarts x.94636 = liters.
 Gallons x 3.78543 = liters.
 Cubic Feet x 28.316 = liters.
 Gallons x.0378543 = hectoliters.
 Cubic Feet x.28316 = hectoliters.
 Bushels (2150.42 cu. in.) X.352379 = hectoliters.
 Cubic Yards x 7.645 = hectoliters.
 Gallons x.00378543 = cubic meters.
 Cubic Feet x.028316 = cubic meters.
 Cubic Yards x.7645 = cubic meters.

Power and Heat Conversion Constants for Metric and U.S. Units

B.T.U. X 252 = calories.
 Pound-Feet X 1.3563 = joules.
 Pound-inches X.11298 = Newton-meters.
 Horsepower X 1.014 = Cheval Vapeur.
 Horsepower X.746 = kilowatts.
 B.T.U. X.00029282 = kilowatt hours.
 (Degrees Fahr. - 32) x.555 = degrees Cent.
 (Degrees Fahr. - 32) x.444 = degrees Reamur.

COMMON CONVERSION FACTORS USEFUL IN MECHANICAL POWER TRANSMISSION

Symbols and Abbreviations Used in Conversion Factors

Symbols and abbreviations found in this section are those currently used in many texts and product publications. Considerable effort is underway to standardize on abbreviations for metric and English units of measurement. Recently, ASTM (American Society for Testing and Materials) and IEEE (Institute of Electrical and Electronic Engineers) published a standard practice on the metric system. † This publication consolidates a great deal of the current thinking and provides a system of abbreviations and symbols that differ somewhat from those used here.

This Handbook has retained use of familiar abbreviations consistent with existing product and trade literature rather than the abbreviations found in current publications of technical and scientific societies.

Prefixes Used in the Metric System

Common prefixes and symbols used in the metric system are listed below. An example of use is 1000 meters is equivalent to 1 kilometer, and 1/1000 of one meter is equivalent to 1 millimeter.

Prefix	Symbol	Multiplication Factor-Decimal and Power of 10
exa	E	1,000,000,000,000,000,000 or 10^{18} or one quintillion
peta	P	1,000,000,000,000,000 or 10^{15} or one quadrillion
tera	T	1,000,000,000,000 or 10^{12} or one trillion
giga	G	1,000,000,000 or 10^9 or one billion
mega	M	1,000,000 or 10^6 or one million
kilo	k	1,000 or 10^3 or one thousand
*hecto	h	100 or 10^2 or one hundred
*deka	da	10 or 10^1 or ten
**deci	d	0.1 or 10^{-1} or one tenth
**centi	c	0.01 or 10^{-2} or one hundredth
mill	m	0.001 or 10^{-3} or one thousandth
micro	μ	0.000,001 or 10^{-6} or one millionth
nano	n	0.000,000,001 or 10^{-9} or one billionth
pico	p	0.000,000,000,001 or 10^{-12} or one trillionth
femto	f	0.000,000,000,000,001 or 10^{-15} or one quadrillionth
atto	a	0.000,000,000,000,000,001 or 10^{-18} or one quintillionth
* Not commonly used.		
** Not commonly used except for special situations.		
The centimeter as a unit of length is in common use.		
The decibel is a unit in both electrical and acoustical work.		

† ASTM/IEEE Standard Metric Practice, ASTM E 380-75, IEEE Std. 268-1976.
"Reprinted with Permission of the Power Transmission Distributors Association"

ENGINEERING

Symbol or Abbreviation	Term
atm	atmosphere
avdp	avoirdupois
bbl	barrels
bu	bushels
C	degrees Centigrade or Celsius
cc	cubic centimeters
cfm	cubic feet per minute
cfs	cubic feet per second
cm	centimeter
cu	cubic
deg	degrees
F	degrees Fahrenheit
fps	feet per second
ft	feet
ft-lb	foot-pounds (work or energy)
ft per sec	feet per second (alternate)
ft per sec ²	feet per second per second
g	acceleration due to gravity
g	grams
gal	gallons
gpm	gallons per minute
hp	horsepower
hr	hour
in	inches
in-lb	inch-pounds (work or energy)
K	degrees Kelvin
kg	kilograms
km	kilometers
kn	knots
kW	kilowatts

Symbol or Abbreviation	Term
l	liters
lb	pounds
lb-ft	pound-feet (torque)
m	meters
m per sec ²	meters per second per second
mi	miles
mm	millimeters
mph	miles per hour
MGD	millions of gallons per day
N	Newtons
oz	ounces
oz-in	ounce-inches (torque)
Pa	Pascals
psi	pounds per square inch
psia or psig	pounds per square inch "absolute" or gauge
pt	pint
qt	quart
R	degrees Rankine (Fahrenheit, absolute)
rad	radians
rev	revolutions
rpm	revolutions per minute
sec	seconds
sq	square
std	standard
temp	temperature
wt	weight
yd	yard
yr	year

Rounding of Numbers

A minimum of four significant figures are used in conversion factors presented here. Where the conversion factor is exact (for example, 1 foot contains 12 inches), decimal fractions are not necessary. Also, where large whole numbers are used (for example, 1 square kilometer contains 1195990 square yards), decimal fractions are not used unless justified by the accuracy of ordinary computations.

1195990	(sq yd in a sq km)
4389.12	(cc in a cu ft)
448.86	(gpm in a liter per sec)
14.70	(psi in an atmosphere)
0.4331	(psi in a ft of water)
0.0625	(lb-in in an oz-in)

ENGINEERING

VELOCITY

centimeters per second (cm per sec)	feet per second (fps or ft per sec)	0.3281
feet per second (fps)	centimeters per second (cm per sec)	30.48
	meters per second (m per sec)	0.3048
	kilometers per hour (km per hr)	1.097
	miles per hour (mph)	0.6818
kilometers per hour (km per hr)	knots (kn)	0.5396
	feet per second (fps)	1.467
	kilometers per hour (km per hr)	1.609
	feet per minute (ft per min.)	88
knots (kn)	miles per hour (mph)	1.152
	kilometers per hour (km per hr)	1.853
radians per second (rad per sec)	revolutions per minute (rpm)	9.55
	degrees per minute (deg per min.)	3437.7
revolutions per minute (rpm)	radians per second (rad per sec)	0.1047
	degrees per minute (deg per min.)	360

ACCELERATION COLUMN A

To Convert From...	To...	Multiply Col. A by
feet per second per second (ft per sec ²)	meters per second per second (m per sec ²)	0.3048
m per sec ²	ft per sec ²	3.281
revolutions per minute per second (rpm per sec)	radians per second per second (rad per sec ²)	0.1047
rad per sec ²	rpm per sec.	9.55

ENGINEERING

VOLUMETRIC FLOW RATES

gallons per minute, US (gpm)	liters per second (l per sec)	0.008434
	cubic feet per minute (cfm)	0.1337
	cubic feet per hour (cu ft per hr)	8.022
gallons per minute, UK or Canadian (gpm)	liters per second (l per sec)	0.0101
	cubic feet per minute (cfm)	0.1606
	cubic feet per hour (cu ft per hr)	9.634
cubic feet per second (cfs)	gpm (UK or Canadian)	373.77
	gpm (US)	448.86
	liters per second (l per sec)	1699.2
liters per second (l per sec)	cubic feet per minute (cfm)	2.119
	gpm (UK or Canadian)	13.20
	gpm (US)	15.85
millions of gallons per day, US (MGD)	liters per second (l per sec)	43.81
	cubic feet per minute (cfm)	92.85
	gallons per minute, US (gpm)	694.44

PRESSURE

pascals (Pa)	pounds per square inch (psi)	0.0001450
	pounds per square foot (lb per ft ²)	0.02089
	newtons per square meter	1
pounds per square inch (psi)	atmospheres, std. (atm)	0.0680
	pounds per square foot (lb per ft ²)	144
	pascals (Pa)	6894.8
	foot of water (ft of H ₂ O) 60F	2.301
atmospheres (atm), standard	psi	14.70
	lb per ft ²	2116.8
	Pa	101325
inch of water, 60F (in of H ₂ O)	psi	0.03609
	lb per ft ²	5.197
	Pa	248.84
foot of water, 60F (ft of H ₂ O)	psi	0.4331
	lb per ft ²	62.36
	Pa	2985.9

WEIGHT, MASS, INERTIA

pounds (lb)*	kilograms (kg)	0.4536
	ounces (oz)	16
kilograms (kg)	pounds (lb)	2.205
	ounces (oz)	35.27

ENGINEERING

WEIGHT, MASS, INERTIA, (Continued)

COLUMN A

Convert From	To	Multiply Col A By This Factor
tons (short)	metric tons	0.9072
	kilograms (kg)	907.2
	pounds (lb)	2000
metric tons	tons (short)	1.102
	kilograms	1000
	pounds	2205
pounds, weight (lb)	slugs, mass (lb-sec ² per ft)	0.03106
pound-foot ² (lb-ft ²)	kilogram-meters ² (kg-m ²)	0.04214
*pounds and ounces are avoirdupois		

FORCE AND TORQUE

pounds (lb)	newtons(N)	4.448
newtons (N)	pounds (lb)	0.2248
newton-meters (N-m)	pound-feet (lb-ft)	0.7376
	pound-inches (lb-in)	8.851
	ounce-inches (oz-in)	141.60
ounce-inches (oz-in)	lb-ft	0.005208
	N-m	0.007062
	lb-in	0.0625
pound-inches (lb-in)	lb-ft	0.0833
	N-m	0.1298
	oz-lb	16
pound-feet (lb-ft)	N-m	1.356
	lb-in	12
	oz-lb	192

POWER

horsepower (hp)	kilowatts (kW)	0.7457
	foot-pounds per second (ft-lb per sec)	550
	foot-pounds per minute (ft-lb per min.)	33000
kilowatts (kW)	horsepower (hp)	1.341

TEMPERATURE

		Use This Relationship
degrees Fahrenheit (F)	degrees Celsius (C)	$C = 5/9 (F - 32)$
degrees Celsius (C)	degrees Fahrenheit (F)	$F = 9/5C + 32$
degrees Fahrenheit (F)	degrees Rankine (R)	$R = F + 459.69$
degrees Celsius (C)	degrees Kelvin (K)	$K = C + 273.16$

Examples:

- Convert 12F to C. $C = 5/9 (F - 32) = 5/9 (12 - 32) = 5/9 (-20)$
Answer = -11.1C
- Convert 40C to F. $F = 9/5C + 32 = 9/5 (40) + 32 = 72 + 32$
Answer = 104F

GRAVITATIONAL CONSTANT

g = 32.174 feet per second per second (ft per sec²)
 = 9.8067 meters per second per second (m per sec²)

APPROXIMATE DENSITIES OF COMMON MATERIALS

REPRESENTATIVE DENSITIES

Grams per cc lb per cu ft

GASES @ 68F, std atm

Air	1.30 grams per liter	0.07528
Oxygen	1.45 grams per liter	0.08305
Hydrogen	0.09 grams per liter	0.005234
Nitrogen	1.25 grams per liter	0.07274
	All Other Materials	
	grams per cc	

LIQUIDS

Water @ 4C	1.000 grams per cc	62.43
20C	0.998	62.32
40C	0.992	61.94
SeaWater	1.02-1.03	64.00
Ethyl alcohol 100%	0.789	49.2
Kerosene	0.78-0.82	50
Gasoline	0.70-0.75	45

METALS

Aluminum (95% Al)	2.70	169
Bronze (90% Cu, 10% Zn)	8.80	549
Copper (Annealed, ACS)	8.89	555
Gold	19.32	1206
Iron, gray cast	7.10	443
Lead	11.36	709
Magnesium	1.74	109
Steel (0.4-0.5% Carbon)	7.80	487
Steel, 410 stainless	7.70	480

ENGINEERING PLASTICS

ABS, general purpose	1.01-1.05	64
Acrylics, cast sheet	1.19	74
Nylon 6/6	1.13-1.15	71
Phenolic, general purpose	1.35-1.46	87
Polycarbonates, general purpose	1.2	75
Polyesters, thermoplastic, unreinforced	1.31 - 1.43	86
Polyethylene, medium density	0.926-0.940	58
Polyvinyl Chloride	1.30-1.58	89

APPROXIMATE DENSITIES OF COMMON MATERIALS

REPRESENTATIVE DENSITIES

Grams per cc lb per cu ft

OTHER MATERIALS

Concrete (stone and sand)	2.2-2.4	144
Limestone	1.5	94
Anthracite coal, not piled	1.4-1.8	100
Bituminous coal, not piled	1.2-1.5	83
Lignite coal, not piled	1.1-1.4	78
Wood, air dried:		
Douglas fir	0.48-0.55	32
White oak	0.77	48
White maple	0.53	33
Oregon pine	0.51	32
Hickory	0.74-0.80	48
Mahogany	0.56-0.85	44
African teak	0.99	62
Indian teak	0.66-0.88	48

Formulas and Constants

1 HP = 33,000 Foot-pounds of work per minute.	1 Kilometer = .62137 miles.
1 HP = .746 K.W. = K.W.P 1.341.	1 Gallon = 231 cubic inches.
1 HP = 2547 B.T.U. per hour.	1 Barrel = 31.5 gallons.
1 B.T.U. = Heat required to raise 1 lb. water 1-F.	Atmospheric Pressure = 14.7 pounds per sq. in. = 29.92 inches mercury at 32° F.
1 B.T.U. = 777.6 Foot-pounds work.	1 Lb. per Sq. In. Pressure = 2.3095 feet fresh water at 62° F. = 2.0355 inches mercury at 32° F. = 2.0416 inches mercury at 62° F.
1 Kilowatt Hour = 3415 B.T.U.	Water Pressure (pounds per sq. in.) = .433 X height of water in feet (Fresh water at 62°F).
Heat Value of Carbon = 14,600 B.T.U. per pound.	Weight of 1 cu. ft. fresh Water = 62.355 lbs. at 62°F. = 59.76 lbs. at 212° F.
Latent Heat of Fusion of Ice = 143.15 B.T.U. per pound.	Weight of 1 cu. ft. Air at 14.7 lbs. per sq. in. Pressure = .07608 lbs. at 62° F. = .08073 lbs. at 32° F.
Latent Heat of Evaporation of Water at 212° F. = 970.4 B.T.U. per pound.	† Also look in the General Index under Weights, Measures, or the subject material required.
Total Heat of Saturated Steam at atmospheric pressure = 1,150.4 B.T.U. per pound.	
1 Ton of Refrigeration = 288,000 B.T.U. per 24 hours.	
g = Acceleration of Gravity (commonly taken as 32.16 feet per second per second).	
1 Radian = 57.296 degrees.	
1 Meter = 100 cm. = 39.37 inches.	

Flywheel Formulas

Flywheels are used on some machines, for example air compressors, to even out load pulsations. The following formulas are useful in designing entire flywheels and flywheel rims. A V-belt sheave may also be used as a flywheel eliminating the need for a separate flywheel in the system.

Formulas for Entire Flywheel

Kinetic energy of rotation of a flywheel (foot pounds)
 $= .0001705 N^2(WR^2)^*$.

Torque to uniformly accelerate or decelerate a flywheel

$$= \frac{.03908 (N_2 - N_1) (WR^2), * \text{ pound-inches}}{t}$$

where N_2 = final R.P.M. and N_1 = initial R.P.M.

Velocity at outside diameter (feet per minute) = $0.2618 ND$.

W = weight (pounds).

R = radius of gyration (feet).

N = speed (R.P.M.)

t = time to change from N_1 to N_2 (seconds).

F = face of rim (inches).

D = outside diameter of rim (inches).

d = inside diameter of rim (inches).

K = weight per cubic inch of material (pounds).

* WR^2 = flywheel effect (pounds X feet²). See table to the right for WR^2 of rims. Ordinarily the WR^2 of the rim only is considered. In unusual instances the relatively small WR^2 values of the hub

and arms or web can be added directly to the WR^2 of the rim if desired. To find the WR^2 of a hub or web use the WR^2 formula for rims, substituting the hub or web outside diameter, inside diameter, and width for D, d and F respectively. When arms are used instead of a web an approximate WR^2 value of the arms is the total weight of the arms in pounds times the square of the radius in feet from the shaft center line to the mid point of the arms between hub and rim.

Table 31: Formulas for Flywheel Rims

Property	Cast Iron Rim (Based on .26 lbs. per cu. in.)	Steel Rim (Based on .283 lbs. per cu. in.)	Rim of any material weighing K pounds per cubic inch
Volume (Cubic Inches)	$.7854F(D^2-d^2)$	$.7854F(D^2-d^2)$	$.7854F(D^2-d^2)$
W Weight (Pounds)	$.2042F(D^2-d^2)$	$.2223F(D^2-d^2)$	$.7854FK(D^2-d^2)$
R Radius of Gyration (Feet)	$\sqrt{\frac{.8681 (D^2-d^2)}{1000}}$	$\sqrt{\frac{0.8681 (D^2-d^2)}{1000}}$	$\sqrt{\frac{.8681 (D^2-d^2)}{1000}}$
WR^2 Wt X Sq. of Radius of Gyration (Lbs. X Ft. ²)	$\frac{.1773F(D^4-d^4)}{1000}$	$\frac{.1929F(D^4-d^4)}{1000}$	$\frac{.6818FK(D^4-d^4)}{1000}$
T ▲ Tensile Load in rim (Lbs.)	$\frac{.3078FN2(D^3-d^3)}{1000000}$	$\frac{.3350FN2(D^3-d^3)}{1000000}$	$\frac{1,184FKN2(D^3-d^3)}{1000000}$

▲ Centrifugal force causes this tensile load at each and every section of the rim. Hence, on rims split into two or more sections the fastening at each joint should be designed to take the full load as calculated from the formula here given.

Centrifugal Force

R = Distance from the axis of rotation to the center of gravity of the body (feet).

N = Revolutions per minute.

v = Velocity of the center of gravity of the body (feet per second).

g = Acceleration due to gravity (32.16 commonly).

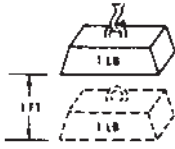
$$F = \frac{Wv^2}{gR} = \frac{WRN^2}{2933} = .000341 WRN^2$$

F = Centrifugal force tending to move the body outward from the axis of rotation (pounds).

W = Weight of body (pounds).

ENGINEERING

Torque and Horsepower Equivalents

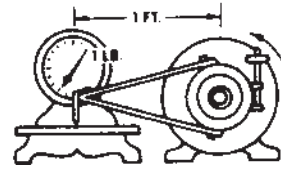


A foot-pound is the amount of energy expended in lifting a one-pound mass a distance of one foot against the pull of gravity

FOOT-POUNDS INDICATE ENERGY

TORQUE

It is: a turning moment or twisting effort.
Is it expressed in foot-pounds? or pound-feet?



A pound-foot is the moment created by a force of one pound applied to the end of a lever arm one

POUND-FOOT INDICATE TORQUE

$$\begin{aligned} \text{Torque (in Pound-Inches)} &= \frac{63025 \times \text{HP}}{\text{RPM}} \\ &= \text{Force} \times \text{Lever Arm (In Inches)} \\ \text{Torque (in Pound-Feet)} &= \frac{5252 \times \text{HP}}{\text{RPM}} \\ &= \text{Force} \times \text{Lever Arm (In Feet)} \end{aligned}$$

Example:

$$\begin{aligned} 25 \text{ HP at } 150 \text{ RPM} &= 10504 \text{ Pound-Inches Torque} \\ 2.5 \text{ HP at } 150 \text{ RPM} &= 1050.4 \text{ Pound-Inches Torque} \end{aligned}$$

For other values of RPM move decimal point in RPM values to the left or right as desired, and in Torque values move to the right or left (opposite way) the same number of places.

Example:

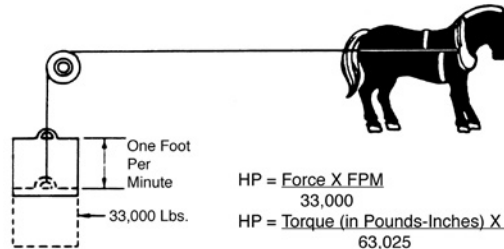
$$\begin{aligned} 25 \text{ HP at } 150 \text{ RPM} &= 10504 \text{ Pound-Inches Torque} \\ 25 \text{ HP at } 1.50 \text{ RPM} &= 1050400 \text{ Pound-Inches Torque} \\ 2.5 \text{ HP at } 1.50 \text{ RPM} &= 105040 \text{ Pound-Inches Torque} \end{aligned}$$

Force = Working Load in Pounds.
FPM = Feet Per Minute.
RPM = Revolutions Per Minute.

Lever Arm = Distance from the Force to the center of rotation in Inches or Feet.

HORSEPOWER

Common Unit of Mechanical power - (HP)
One HP is the rate of work required to raise 33,000 pounds one foot in one minute



$$\begin{aligned} \text{HP} &= \frac{\text{Force} \times \text{FPM}}{33,000} \\ \text{HP} &= \frac{\text{Torque (in Pounds-Inches)} \times \text{RPM}}{63,025} \\ \text{HP} &= \frac{\text{Torque (in Pounds-Feet)} \times \text{RPM}}{5,252} \end{aligned}$$

Overhung Loads

An overhung load is a bending force imposed on a shaft due to the torque transmitted by V-drives, chain drives and other power transmission devices, other than flexible couplings.

Most motor and reducer manufacturers list the maximum values allowable for overhung loads. It is desirable that these figures be compared with the load actually imposed by the connected drive.

Overhung loads may be calculated as follows:

$$\text{O.H.L.} = \frac{63,000 \times \text{HP} \times \text{F}}{\text{N} \times \text{R}}$$

Where HP = Transmitted hp X service factor
N = RPM of shaft
R = Radius of sprocket, pulley, etc. (inches)
F = Factor (See chart to right)

Weights of the drive components are usually negligible. The formula is based on the assumption that the load is applied at a point equal to one shaft diameter from the bearing face. Factor F depends on the type of drive used:

$$F = \begin{cases} 1.00 & \text{for single chain drives.} \\ 1.3 & \text{for TIMING Belt Drives and Sync belt Drives.} \\ 1.25 & \text{for spur or helical gear or double chain drives.} \\ 1.50 & \text{for V-belt drives.} \\ 2.50 & \text{for flat belt drives.} \end{cases}$$

Example: Find the overhung load imposed on a reducer by a double chain drive transmitting 7 hp @ 30 RPM. The pitch diameter of the sprocket is 10"; service factor is 1.3.

Solution:

$$\text{O.H.L.} = \frac{(63,000) (7 \times 1.3) (1.25)}{(30) (5)} = 4,780 \text{ lbs.}$$

Mathematical Equations

To find circumference of a circle, multiply diameter by 3.1416.
To find diameter of a circle, multiply circumference by .31831.
To find area of a circle, multiply square of diameter by .7854.
To find area of a rectangle, multiply length by breadth.
To find area of a triangle, multiply base by 1/2 perpendicular height.
To find area of ellipse, multiply product of both diameters by .7854.
To find area of parallelogram, multiply base by altitude.
To find side of an inscribed square, multiply diameter by 0.7071 or multiply circumference by 0.2251 or divide circumference by 4.4428.

To find side of inscribed cube, multiply radius of sphere by 1.1547.
To find side of an equal square, multiply diameter by .8862.
To find the surface of a sphere, square the diameter and multiply by 3.1416.
To find the volume of a sphere, cube the diameter and multiply by .5236.
A side of a square multiplied by 1.4142 equals diameter of its circumscribing circle.
A side of a square multiplied by 4.443 equals circumference of its circumscribing circle.

Table 32: Strength and Physical Properties of Various Metals

Metals and Alloys	Stress in Thousands of Pounds per Sq. Inch				Modulus of Elasticity Millions	Elongation%
	Tension Ultimate	Tension Yield Point	Compression Ultimate	Shear Ultimate		
Aluminum, Type 1100-0, Annealed	13	5	9	10	45
Aluminum, Type 1100-H18, Hard	24	22	13	10	15
Aluminum, Type 3003-0, Annealed	16	6	11	10	40
Aluminum, Type 3003-H18, Hard	29	27	16	10	10
Aluminum, Type 5052-0, Annealed	28	13	18	10.20	30
Aluminum, Type 5052-H38, Hard	42	37	24	10.20	8
Aluminum, Type 5056-0, Annealed	42	22	26	10.30	35
Aluminum, Type 2014-0, Annealed	27	14	18	10.60	18
Aluminum, Type 2014-T4, Heat Treated	62	42	38	10.60	20
Aluminum, Type C4A, Casting, Solution Heat Treat	32	16	16▲	24	8.50
Aluminum, Type S5C, As Die Cast	30	16	16▲	19	9
Brass, Admiralty, Annealed	53	22	16	65
Brass, Aluminum, Annealed	60	27	16	55
Brass, Cartridge, 30% Zn, Annealed	44	11	32	16	66
Brass, Cartridge, 30% Zn, Hard	76	63	44	16	8
Brass, Naval, Annealed	57†	25†	40†	15	47†
Brass, Naval, Leaded, Annealed	57†	25†	36†	15	40†
Brass, Red, 15% Zn, Annealed	39	10	31	17	48
Brass, Red, 15% Zn, Hard	70	57	42	17	5
Brass, Red, Leaded, Cast, Grade 4A	33-46	17-24	10-12▲	9.1-14.8	20-35
Brass, Red, Leaded, Cast, Grade 4B	30-38	12-17	11-12▲	15-27
Brass, Semi-Red, Leaded, Cast, Grade 5A	29-39	13-17	7.7-14.3	18-30
Brass, Semi-Red, Leaded, Cast, Grade 5B	30-40	12-16	8-10▲	10-14	20-35
Brass, Yellow, 35% Zn, Annealed	46	14	32	15	65
Brass, Yellow, 35% Zn, Hard	74	60	43	15	8
Bronze, Aluminum, As Cast	67-95	27-45	15-18	5-35
Bronze, Commercial, 10% Zn, Annealed	37†	10†	28†	17	45=
Bronze, Manganese, Annealed	65†	30†	42 v	15	33=
Bronze, Phosphor, Annealed	40-66	14-24	16-17	48-70
Bronze, Tin, High Leaded, Cast	23-38	11-22	12-16▲	8.5-13	7-20
Bronze, Tin, Leaded, Cast	33-48	16-26	9-15▲	10.6-16	15-40
Copper, Beryllium, Annealed	60-80	25-35v	50-60 †	19	35-50†
Copper, Electrolytic, Tough Pitch, Annealed	32†	10†	22 †	17	45†
Inconel, Cast	65-90	23	10-20
Inconel, S, Cast	90-120	80-100	25	1-3
Inconel, Shapes, Plate, Etc., Annealed	80-100†	30-45†	31	35-55†
Inconel, X, Shapes, Plate, Etc., Annealed	110-130†	45-65†	31	40-55†
Iron, Cast, Class 30	30-34	115	44	15
Iron, Cast, Class 35	35-40	125	43	16
Iron, Ingot, Hot Rolled	44	23	29.80	47
Iron, Malleable, Class 32510	50	33	90	46	25	10-18
Iron, Malleable, Class 35018	55	37	90	51	25	18-25
Iron, Nodular (Ductile) Class 60-45-10	60	45	120	22-25	10-25
Iron, Nodular (Ductile) Class 80-60-3	80	60	160	22-25	3-10
Iron, Pearlitic, Malleable	60-90	40-70	28	3-12
Iron, Wrought, Hot Rolled	34-47	23-24	29	7-35
Lead, Hard, Rolled	4.0-4.6	31-48
Magnesium Alloy, Extruded, ASTM M1A	26-28	23-28	10-13	16	6.50	8-11
Magnesium Alloy, Extruded, ASTM AZ61A-F	40-45	22-32	15-21	21	6.50	15-16
Magnesium Alloy, Cast, ASTM M1B	14	4.50	11	6.50	5
Magnesium Alloy, Cast, ASTM AZ92A	24	14	19	6.50	2
Magnesium Alloy, Cast, ASTM AZ91A	36	23	20	6.50	4

Table 32: Strength and Physical Properties of Various Metals

Metals and Alloys	Stress in Thousands of Pounds per Sq. Inch				Modulus of Elasticity Millions	Elongation%
	Tension Ultimate	Tension Yield Point	Compression Ultimate	Shear Ultimate		
Monel, Cast	65-90	32-45	23	20-50
Monel, S, Cast	120-145	80-130	24.20	1-4
Monel, Shapes, Plate, Etc., Annealed	70-85†	25-45†	26	35-50†
Monel, K, Shapes, Plate, Etc., Annealed	90-105†	40-65†	26	25-45	35-55†
Muntz Metal, Cu 59.63%, Zn balance	54	21	40	15	45
Nickel, Cast	50-65	15-30	21.50	15-30
Nickel, Silver, Annealed	49-63†	18-30†	17-18	35-60†
Steel, Cast Carbon, Class 70,000 Normalized	70	38	30	28
Steel, Cast Low Alloy, Class 100,000, Normalized and Tempered	100	68	29-30	20
Steel, Cast Low Alloy, Class 120,000, Quenched and Tempered	120	95	29-30	16
Steel, Cast Low Alloy, Class 200,000, Quenched and Tempered	200	170	29-30	5
Steel, Sheets	48	25	29-30	18-27
Steel, Stainless, Austenitic, Types 304, 316	85	35	28	55-60
Steel, Stainless, Martensitic, Type 416	75	40	29	30
Steel, Structural, Bridge and Building, ASTM A7	60-72	33	33▲	45-54	29-30	21
Steel, Structural, High Strength, Low Alloy, ASTM A242	63-70	42-50	42-50▲	47-53	29-30	18-24
Zinc, Die Cast Alloy XXIII	41	60▲	31	10

† When hardened, strength values are higher, elongation less

▲ Compression yield point

Table 33: Properties of Sections

A = area

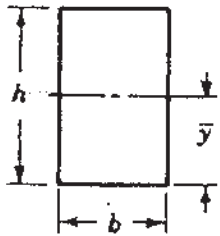
I = moment of inertia

J = polar moment of inertia

 Z = section modulus π

k = radius of gyration

y = centroidal distance

Rectangle


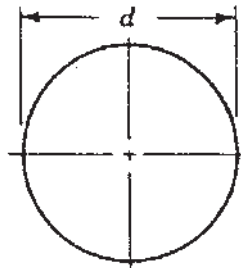
$$A = bh$$

$$k = 0.289h$$

$$\bar{y} = \frac{h}{2}$$

$$I = \frac{bh^3}{12}$$

$$Z = \frac{bh^2}{6}$$

Circle


$$A = \frac{\pi d^2}{4}$$

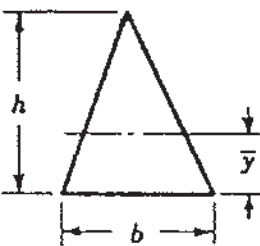
$$J = \frac{\pi d^4}{32}$$

$$I = \frac{\pi d^4}{64}$$

$$k = \frac{d}{4}$$

$$Z = \frac{\pi d^3}{32}$$

$$\bar{y} = \frac{d}{2}$$

Triangle


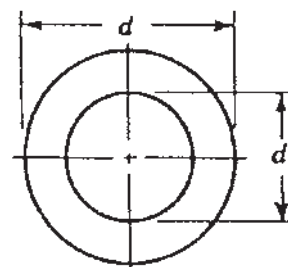
$$A = \frac{bh}{2}$$

$$k = 0.236h$$

$$\bar{y} = \frac{h}{3}$$

$$I = \frac{bh^3}{36}$$

$$Z = \frac{bh^2}{24}$$

Hollow Circle


$$A = \frac{\pi}{4} (d^2 - d_i^2)$$

$$J = \frac{\pi}{32} (d^4 - d_i^4)$$

$$I = \frac{\pi}{64} (d^4 - d_i^4)$$

$$k = \sqrt{\frac{d^2 - d_i^2}{16}}$$

$$Z = \frac{\pi}{32d} (d^4 - d_i^4)$$

$$\bar{y} = \frac{d}{2}$$

Table 34: Coefficients of Friction "f"

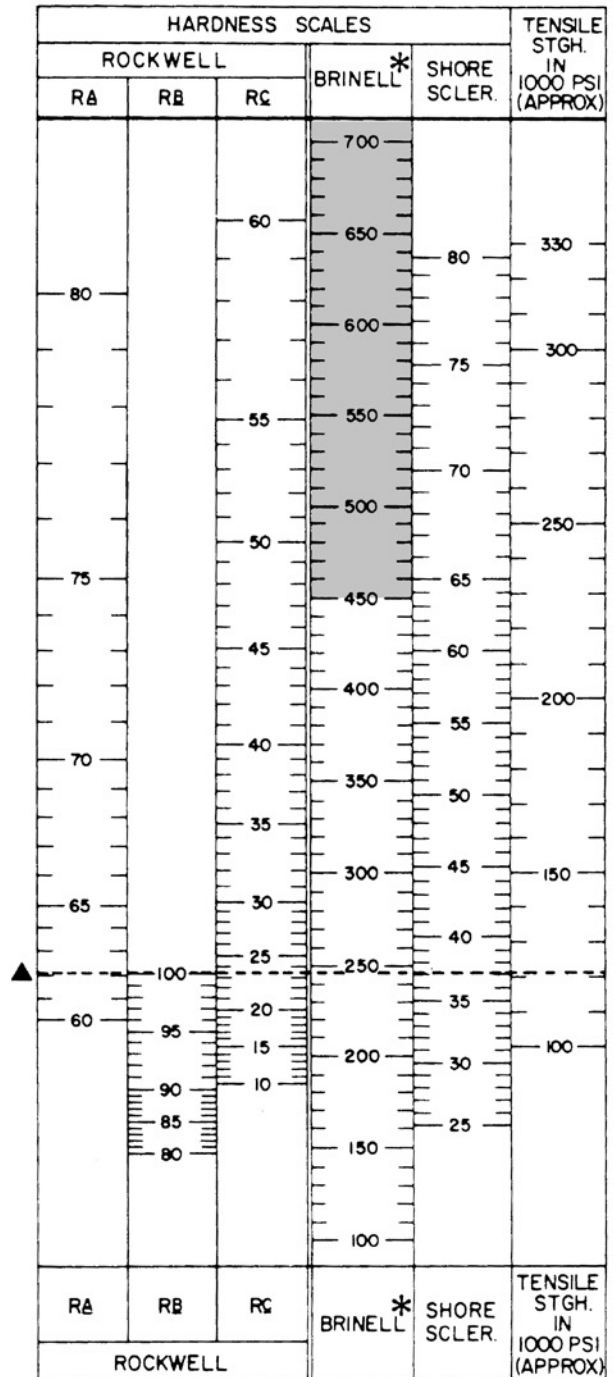
Material	Static		Sliding	
	Dry	Lubricated	Dry	Lubricated
Aluminum on aluminum	1.35
Canvas belt on rubber lagging	0.30
Canvas belt, stitched, on steel	0.20	0.10
Canvas belt, woven, on steel	0.22	0.10
Cast iron on asbestos, fabric
Cast iron on asbestos, fabric brake material	0.35-0.40
Cast iron on brass	0.30
Cast iron on bronze	0.22	0.07-0.08
Cast iron on cast iron	1.10	0.15	0.06-0.10
Cast iron on copper	1.05	0.29
Cast iron on lead	0.43
Cast iron on leather	0.60	0.13-0.36
Cast iron on oak (parallel)	0.30-0.50	0.07-0.20
Cast iron on magnesium	0.25
Cast iron on steel, mild	0.18	0.23	1/0/00 3:11
Cast iron on tin	0.32
Cast iron on zinc	0.85	0.21
Earth on earth	0.25-1.0
Glass on glass	0.94	0.40
Hemp rope on wood	0.50-0.80	0.40-0.70
Nickel on nickel	1.10	0.53	0.12
Oak on leather (parallel)	0.50-0.60	0.30-0.50
Oak on oak (parallel)	0.62	0.48	0.16
Oak on oak (perpendicular)	0.54	0.32	0.07
Rubber tire on pavement	0.8-0.9	0.6-0.7 *	0.75-0.85	0.5-0.7*
Steel on ice	0.03	0.01
Steel, hard, on babbit	0.42-0.70	0.08-0.25	0.33-0.35	0.05-0.16
Steel, hard, on steel, hard	0.78	0.11-0.23	0.42	0.03-0.12
Steel, mild, on aluminum	0.61	0.47
Steel, mild, on brass	0.51	0.44
Steel, mild, on bronze	0.34	0.17
Steel, mild, on copper	0.53	0.36	0.18
Steel, mild, on steel, mild	0.74	0.57	0.09-0.19
Stone masonry on concrete	0.76
Stone masonry on ground	0.65
Wrought iron on bronze	0.19	0.07-0.08	0.18
Wrought iron on wrought iron	0.11	0.44	0.08-0.10

* Wet pavement

Table 35: U.S. Standard Sheet Metal Gages

Gage No.	Thickness in Decimal Parts of an Inch	Gage No.	Thickness in Decimal Parts of an Inch
1	.2813	20	.0359
2	.2656	21	.0329
3	.2391	22	.0299
4	.2242	23	.0269
5	.2092	24	.0239
6	.1943	25	.0209
7	.1793	26	.0179
8	.1644	27	.0164
9	.1495	28	.0149
10	.1345	29	.0135
11	.1196	30	.0120
12	.1046	31	.0109
13	.0897	32	.0102
14	.0747	33	.0094
15	.0673	34	.0086
16	.0598	35	.0078
17	.0538	36	.0070
18	.0478	37	.0066
19	.0418	38	.0063

Hardness Comparison Chart



* Shaded area indicates values may vary depending on type of ball used.

▲ Example: A Brinell number of 245 is equal to 62 Rockwell "A", 100 Rockwell "B", 23 Rockwell "C", 37 Shore with a tensile of approximately 120,000 psi.

Trigonometric Formula

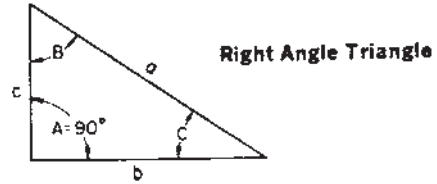
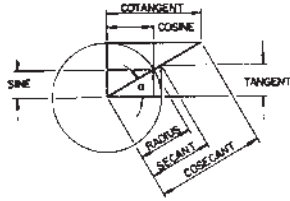


Table 36: Formulas for Finding Functions of Angles

$\frac{\text{Side opposite}}{\text{Hypotenuse}}$	= SINE
$\frac{\text{Side adjacent}}{\text{Hypotenuse}}$	= COSINE
$\frac{\text{Side opposite}}{\text{Side adjacent}}$	= TANGENT
$\frac{\text{Side adjacent}}{\text{Side opposite}}$	= COTANGENT
$\frac{\text{Hypotenuse}}{\text{Side adjacent}}$	= SECANT
$\frac{\text{Hypotenuse}}{\text{Side opposite}}$	= COSECANT

Table 38: To Find Angles and Sides of Right Angle Triangles

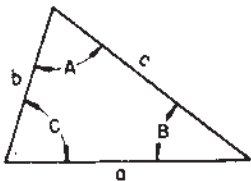
To Find Angles				To Find Angles			
To Find:		Formulas	To Find:		Formulas		
C	$\frac{c}{a}$	= Sine C	a	$\sqrt{b^2 + c^2}$	---		
C	$\frac{b}{a}$	= Cosine C	a	$c \times \text{Cosec. C}$	$\frac{c}{\text{Sine C}}$		
C	$\frac{c}{b}$	= Tan. C	a	$c \times \text{Secant B}$	$\frac{c}{\text{Cosine B}}$		
C	$\frac{b}{c}$	= Cotan C	a	$b \times \text{Cosec. B}$	$\frac{b}{\text{Sine B}}$		
C	$\frac{a}{b}$	= Secant C	a	$b \times \text{Secant C}$	$\frac{b}{\text{Cosine C}}$		
C	$\frac{a}{c}$	= Cosec. C	b	$\sqrt{a^2 - c^2}$	---		
B	$\frac{c}{a}$	= Sine B	b	$a \times \text{Sine B}$	$\frac{a}{\text{Cosecant B}}$		
B	$\frac{c}{a}$	= Cosine B	b	$a \times \text{Cos. C}$	$\frac{a}{\text{Secant C}}$		
B	$\frac{b}{c}$	= Tan. B	b	$c \times \text{Tan. B}$	$\frac{c}{\text{Cotangent B}}$		
B	$\frac{c}{d}$	= Cotan. B	b	$c \times \text{Cot. C}$	$\frac{c}{\text{Tangent C}}$		
B	$\frac{a}{c}$	= Secant B	c	$\sqrt{a^2 - b^2}$	---		
B	$\frac{a}{b}$	= Cosec. B	c	$a \times \text{Cos. B}$	$\frac{a}{\text{Secant B}}$		
			c	$a \times \text{Sine C}$	$\frac{a}{\text{Cosecant C}}$		
			c	$b \times \text{Cot. B}$	$\frac{b}{\text{Tangent B}}$		
			c	$b \times \text{Tan. C}$	$\frac{b}{\text{Cotangent C}}$		

Table 37: Formulas for Finding Sides of Right Angle Triangles with an Angle and Side Known

To find: Length of side opposite	$\left\{ \begin{array}{l} \text{Hypotenuse} \times \text{Sine} \\ \text{Hypotenuse} \div \text{Cosecant} \\ \text{Side adjacent} \times \text{Tangent} \\ \text{Side adjacent} \div \text{Cotangent} \end{array} \right.$
To find: Length of side adjacent	$\left\{ \begin{array}{l} \text{Hypotenuse} \times \text{Cosine} \\ \text{Hypotenuse} \div \text{Secant} \\ \text{Side opposite} \times \text{Cotangent} \\ \text{Side opposite} \div \text{Tangent} \end{array} \right.$
To find: Length of Hypotenuse	$\left\{ \begin{array}{l} \text{Side opposite} \times \text{Cosecant} \\ \text{Side opposite} \div \text{Sine} \\ \text{Side adjacent} \times \text{Secant} \\ \text{Side adjacent} \div \text{Cosine} \end{array} \right.$

Table 39: To Find Angles and Sides of Oblique Angle Triangle

Oblique Angle Triangle



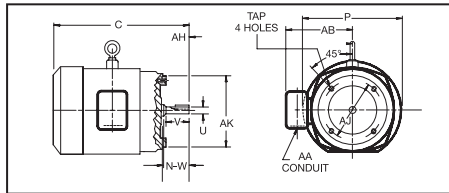
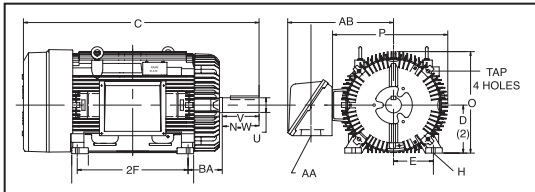
To Find Angles and Sides of Oblique Angle Triangle					
To find:	Known	Formulas	To Find:	Known	Formulas
C	A, B	$180^\circ - (A + B)$	A	B, C	$180^\circ - (B + C)$
b	a, B, A	$\frac{a \times \text{Sin. B}}{\text{Sin. A}}$	Cos. A	a, b, c	$\frac{b^2 + c^2 - a^2}{2bc}$
c	a, A, C	$\frac{a \times \text{Sin. C}}{\text{Sin. A}}$	Sin. C	c, A, a	$\frac{c \times \text{Sin. A}}{a}$
Tan. A	a, C, b	$\frac{a \times \text{Sin. C}}{b - (a \times \text{Cos. C})}$	Cot. B	a, C, b	$\frac{a \times \text{Cosec. C}}{b}$
B	A, C	$180^\circ - (A + C)$	c	b, C, B	$b \times \text{Sin. C} \times \text{Cosec. B}$
Sin. B	b, A, a	$\frac{b \times \text{Sin. A}}{a}$	---	---	-----

NEMA QUICK REFERENCE CHART

- Dimensions are for reference only
- Drawings represent standard TEFC general purpose motors

Contact your local DODGE/Reliance Sales Office at 1-864-284-5700 for "C" dimensions.

FRAME	NEMA SHAFT	KEYSEAT DIMENSIONS			FRAME	NEMA SHAFT	KEYSEAT DIMENSIONS		
		U	R	S			U	R	S
48	48	1/2	29/64	FLAT	284T	286T	1-7/8	1-19/32	1/2
56	56	5/8	33/64	3/16	324T	326T	2-1/8	1-27/32	1/2
143T	145T	7/8	49/64	3/16	364T	365T	2-3/8	2-1/64	5/8
182T	184T	1-1/8	63/64	1/4	404T	405T	2-7/8	2-29/64	3/4
213T	215T	1-3/8	1-13/64	5/16	444T	445T	3-3/8	2-7/8	7/8
254T	256T	1-5/8	1-13/32	3/8	447T	449T	3-3/8	2-7/8	7/8



NEMA C-FACE	BA Dimensions
143TC - 145TC	2-3/4
182TC - 184 TC	3-1/2
213TC - 215TC	4-1/4
254TC- 256TC	4-3/4

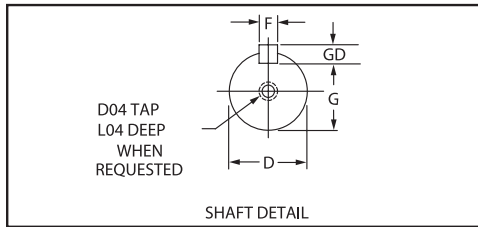
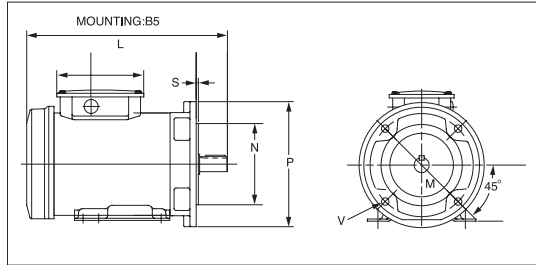
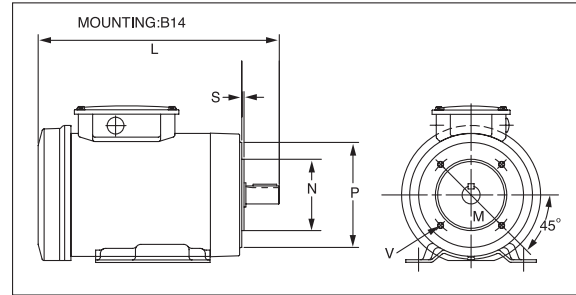
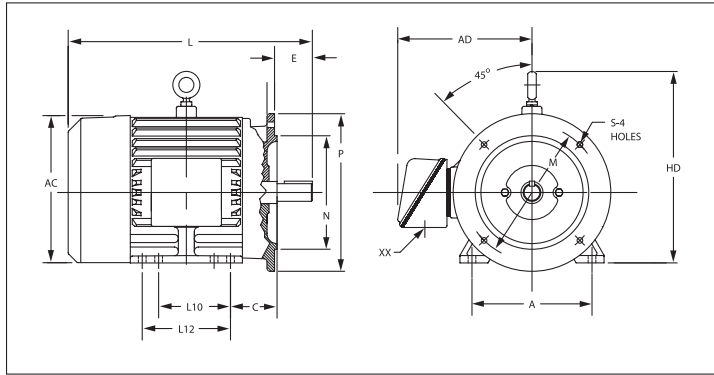
NEMA Frame	D	E	2F	H	N-W	O	P	U	Keyway	V	AA	AB	AH	AJ	AK	BA	Tap Size
48	3	2-1/8	2-3/4	11/32 SLOT	1-1/2	5-13/16	5-5/8	1/2		1-1/2	1/2	-	1-11/16	3-3/4	3	2-1/2	1/4-20
56	3-1/2	2-7/16	3	11/32	1-7/8	8-9/16	7-9/32	5/8	3/16x3/32	1-7/8	1/2	-	2-1/16	5-7/8	4-1/4	2-3/4	3/8-16
56H	3-1/2	2-7/16	5	SLOT	1-7/8	8-9/16	7-9/32	5/8	3/16x3/32	1-7/8	1/2	-	2-1/16	5-7/8	4-1/2	2-3/4	3/8-16
143T	3-1/2	2-7/16	4	11/32	2-1/4	8-9/16	7-9/32	7/8	3/16x3/32	2-1/4	3/4	-	2-1/8	5-7/8	4-1/2	2-1/4	3/8-16
145T	3-1/2	2-3/4	5	11/32	2-1/4	8-9/16	7-9/32	7/8	3/16x3/32	2-1/4	3/4	-	2-1/8	5-7/8	4-1/2	2-1/4	3/8-16
182	4-1/2	3-3/4	4-1/2	13/32	2-1/4	9-7/8	9-1/4	7/8	3/16x3/32	2-1/4	3/4	8-7/16	2-1/8	5-7/8	4-1/2	2-3/4	3/8-16
184	4-1/2	3-3/4	5-1/2	13/32	2-1/4	9-7/8	9-1/4	7/8	3/16x3/32	2-1/4	3/4	8-7/16	2-1/8	5-7/8	4-1/2	2-3/4	3/8-16
182T	4-1/2	3-3/4	4-1/2	13/32	2-3/4	9-7/8	9-1/4	1-1/8	1/4x1/8	2-3/4	3/4	7-13/16	2-5/8	7-1/4	8-1/2	2-3/4	1/2-13
184T	4-1/2	3-3/4	5-1/2	13/32	2-3/4	9-7/8	9-1/4	1-1/8	1/4x1/8	2-3/4	3/4	7-13/16	2-5/8	7-1/4	8-1/2	2-3/4	1/2-13
213	5-1/4	4-1/4	5-1/2	13/32	3	11-1/4	10-1/2	1-1/8	1/4x1/8	3	1	9-5/16	2-3/4	7-1/4	8-1/2	3-1/2	1/2-13
215	5-1/4	4-1/4	7	13/32	3	11-1/4	10-1/2	1-1/8	1/4x1/8	3	1	9-5/16	2-3/4	7-1/4	8-1/2	3-1/2	1/2-13
213T	5-1/4	4-1/4	5-1/2	13/32	3-3/8	11-1/4	10-1/2	1-3/8	5/16x5/32	3-3/8	1	8-11/16	3-1/8	7-1/4	8-1/2	3-1/2	1/2-13
215T	5-1/4	4-1/4	7	13/32	3-3/8	11-1/4	10-1/2	1-3/8	5/16x5/32	3-3/8	1	8-11/16	3-1/8	7-1/4	8-1/2	3-1/2	1/2-13
254U	6-1/4	5	8-1/4	17/32	3-3/4	13-1/4	13-1/4	1-3/8	5/16x5/32	3-3/4	1-1/4	10-13/16	3-1/2	7-1/4	8-1/2	4-1/4	1/2-13
256U	6-1/4	5	10	17/32	3-3/4	13-1/4	13-1/4	1-3/8	5/16x5/32	3-3/4	1-1/4	10-13/16	3-1/2	7-1/4	8-1/2	4-1/4	1/2-13
254T	6-1/4	5	8-1/4	17/32	4	13-1/4	13-1/4	1-5/8	3/8x3/16	4	1-1/4	10-3/4	3-3/4	7-1/4	8-1/2	4-1/4	1/2-13
256T	6-1/4	5	10	17/32	4	13-1/4	13-1/4	1-5/8	3/8x3/16	4	1-1/4	10-3/4	3-3/4	7-1/4	8-1/2	4-1/4	1/2-13
284U	7	5-1/2	9-1/2	17/32	4-7/8	14-3/4	14-7/8	1-5/8	3/8x3/16	4-7/8	1-1/2	12-5/8	4-5/8	9	10-1/2	4-3/4	1/2-13
286U	7	5-1/2	11	17/32	4-7/8	14-3/4	14-7/8	1-5/8	3/8x3/16	4-7/8	1-1/2	12-5/8	4-5/8	9	10-1/2	4-3/4	1/2-13
284T	7	5-1/2	9-1/2	17/32	4-5/8	14-3/4	14-7/8	1-7/8	1/2x1/4	4-5/8	1-1/2	12-3/4	4-3/8	9	10-1/2	4-3/4	1/2-13
286T	7	5-1/2	11	17/32	4-5/8	14-3/4	14-7/8	1-7/8	1/2x1/4	4-5/8	1-1/2	12-3/4	4-3/8	9	10-1/2	4-3/4	1/2-13
284TS	7	5-1/2	9-1/2	17/32	3-1/4	14-3/4	14-7/8	1-5/8	3/8x3/16	3-1/4	1-1/2	12-3/4	3	9	10-1/2	4-3/4	1/2-13
286TS	7	5-1/2	11	17/32	3-1/4	14-3/4	14-7/8	1-5/8	3/8x3/16	3-1/4	1-1/2	12-3/4	3	9	10-1/2	4-3/4	1/2-13
324U	8	6-1/4	10-1/2	21/32	5-5/8	16-11/16	17	1-7/8	1/2x1/4	5-5/8	2	15-7/16	5-3/8	11	12-1/2	5-1/4	5/8-11
326U	8	6-1/4	12	21/32	5-5/8	16-11/16	17	1-7/8	1/2x1/4	5-5/8	2	15-7/16	5-3/8	11	12-1/2	5-1/4	5/8-11
324T	8	6-1/4	10-1/2	21/32	5-1/4	16-11/16	17	2-1/8	1/2x1/4	5-1/4	2	15-3/16	5	11	12-1/2	5-1/4	5/8-11
326T	8	6-1/4	12	21/32	5-1/4	16-11/16	17	2-1/8	1/2x1/4	5-1/4	2	15-3/16	5	11	12-1/2	5-1/4	5/8-11
324TS	8	6-1/4	10-1/2	21/32	3-3/4	16-11/16	17	1-7/8	1/2x1/4	3-3/4	2	15-3/16	3-1/2	11	12-1/2	5-1/4	5/8-11
326TS	8	6-1/4	12	21/32	3-3/4	16-11/16	17	1-7/8	1/2x1/4	3-3/4	2	15-3/16	3-1/2	11	12-1/2	5-1/4	5/8-11
364U	9	7	11-1/4	21/32	6-3/8	18-1/2	19-1/2	2-1/8	1/2x1/4	6-3/8	2-1/2	18	6-1/8	11	12-1/2	5-7/8	5/8-11
365U	9	7	12-1/4	21/32	6-3/8	18-1/2	19-1/2	2-1/8	1/2x1/4	6-3/8	2-1/2	18	6-1/8	11	12-1/2	5-7/8	5/8-11
364T	9	7	11-1/4	21/32	5-7/8	18-1/2	19-1/2	2-3/8	5/8x5/16	5-7/8	2-1/2	18-1/16	5-5/8	11	12-1/2	5-7/8	5/8-11
365T	9	7	12-1/4	21/32	5-7/8	18-1/2	19-1/2	2-3/8	5/8x5/16	5-7/8	2-1/2	18-1/16	5-5/8	11	12-1/2	5-7/8	5/8-11
364TS	9	7	11-1/4	21/32	3-3/4	18-1/2	19-1/2	1-7/8	1/2x1/4	3-3/4	2-1/2	18-1/16	3-1/2	11	12-1/2	5-7/8	5/8-11
365TS	9	7	12-1/4	21/32	3-3/4	18-1/2	19-1/2	1-7/8	1/2x1/4	3-3/4	2-1/2	18-1/16	3-1/2	11	12-1/2	5-7/8	5/8-11
404U	10	8	12-1/4	13/16	7-1/8	21-5/16	22-1/2	2-3/8	5/8x5/16	7-1/8	3	19-1/4	6-7/8	11	12-1/2	6-5/8	5/8-11
405U	10	8	13-3/4	13/16	7-1/8	21-5/16	22-1/2	2-3/8	5/8x5/16	7-1/8	3	19-1/4	6-7/8	11	12-1/2	6-5/8	5/8-11
404T	10	8	12-1/4	13/16	7-1/4	21-5/16	22-1/2	2-7/8	3/4x3/8	7-1/4	3	19-5/16	7	11	12-1/2	6-5/8	5/8-11
405T	10	8	13-3/4	13/16	7-1/4	21-5/16	22-1/2	2-7/8	3/4x3/8	7-1/4	3	19-5/16	7	11	12-1/2	6-5/8	5/8-11
404TS	10	8	12-1/4	13/16	4-1/4	21-5/16	22-1/2	2-1/8	1/2x1/4	4-1/4	3	19-5/16	4	11	12-1/2	6-5/8	5/8-11
405TS	10	8	13-3/4	13/16	4-1/4	21-5/16	22-1/2	2-1/8	1/2x1/4	4-1/4	3	19-5/16	4	11	12-1/2	6-5/8	5/8-11
444U	11	9	14-1/2	13/16	8-5/8	23-3/8	25-1/4	2-7/8	3/4x3/8	8-5/8	3	22-3/16	8-3/8	14	16	7-1/2	5/8-11
445U	11	9	16-1/2	13/16	8-5/8	23-3/8	25-1/4	2-7/8	3/4x3/8	8-5/8	3	22-3/16	8-3/8	14	16	7-1/2	5/8-11
444T	11	9	14-1/2	13/16	8-1/2	23-3/8	25-1/4	3-3/8	7/8x7/16	8-1/2	3	23-3/8	8-1/4	14	16	7-1/2	5/8-11
445T	11	9	16-1/2	13/16	8-1/2	23-3/8	25-1/4	3-3/8	7/8x7/16	8-1/2	3	23-3/8	8-1/4	14	16	7-1/2	5/8-11
447T	11	9	20	13/16	8-1/2	23-3/8	26	3-3/8	7/8x7/16	8-1/2	3	23-7/8	8-1/4	14	16	7-1/2	5/8-11
449T	11	9	25	13/16	8-1/2	23-5/8	26	3-3/8	7/8x7/16	8-1/2	3	23-7/8	8-1/4	14	16	7-1/2	5/8-11
444TS	11	9	14-1/2	13/16	4-3/4	23-3/8	25-1/4	2-3/8	5/8x5/16	4-3/4	3	23-3/8	4-1/2	14	16	7-1/2	5/8-11
445TS	11	9	16-1/2	13/16	4-3/4	23-3/8	25-1/4	2-3/8	5/8x5/16	4-3/4	3	23-3/8	4-1/2	14	16	7-1/2	5/8-11
447TS	11	9	20	13/16	4-3/4	23-5/8	26	2-3/8	5/8x5/16	4-3/4	4 NPT	23-7/8	4-1/2	14	16	7-1/2	5/8-11
449TS	11	9	25	13/16	4-3/4	23-5/8	26	2-3/8	5/8x5/16	4-3/4	4 NPT	23-7/8	4-1/2	14	16	7-1/2	5/8-11

ENGINEERING

IEC QUICK REFERENCE CHART

- Dimensions are for reference only
- Drawings represent standard TEFC general purpose motors

Contact your local DODGE/Reliance Sales Office at 1-864-284-5700 for "C" dimensions.



KEY AND KEYSEAT DIMENSIONS									
FRAME	D	G	F	GD	FRAME	D	G	F	GD
71	14	11	5	5	160	37	42	12	8
80	19	15.5	6	6	180	48	42.5	14	9
90	24	20	8	7	200	55	49	16	10
100	28	24	8	7	225	60	53	18	11
112	28	24	8	7	250	70	67.5	20	12
132	38	33	10	8	280	80	71	22	14

Frame	B3 RIGID BASE					SHAFT			B5 FLANGE					B14 FACE					GENERAL		
	A	L10	L12	HD	C	E	D	N	M	P	S	V	N	M	P	S	V	AC	AD	XX	
71	-	-	-	-	-	-	-	110	130	160	"3,5"	"9,5"	70	85	105	2.5	M6	143	-	13	
80	125	100	-	188	50	40	19	130	165	200	"3,5"	"11,5"	80	100	120	3	M6	143	-	13	
90	140	100	125	208	56	50	24	130	165	200	"3,5"	"11,5"	95	115	140	3	M8	163	-	13	
100	160	112	140	229	63	60	28	180	215	250	4	14	110	130	160	3.5	M8	175	-	19	
112S	190	114	-	301.8	71.4	60	28	180	215	250	4	14	110	130	160	3.5	M8	243	210	32	
112M	190	-	140	301.8	71.4	60	28	180	215	250	4	14	110	130	160	3.5	M8	243	210	32	
132S	216	140	-	336.6	88.9	80	38	230	265	300	4	14	130	165	200	3.5	M8	286	243	32	
132M	216	-	178	336.6	88.9	80	38	230	265	300	4	14	130	165	200	3.5	M8	286	243	32	
160M	254	210	-	399	108	110	42	250	300	350	5	18	180	215	250	4	M12	324	320	40	
160L	254	-	254	399	108	110	42	250	300	350	5	18	180	215	250	4	M12	324	320	40	
180M	279	241	-	436	121	110	48	250	300	350	5	18	398	355	40			398	355	40	
180L	279	-	279	436	121	110	48	250	300	350	5	18	398	355	40			398	355	40	
200M	318	267	-	486	133	110	55	300	350	400	5	18	442	445	50			442	445	50	
200L	318	-	305	486	133	110	55	300	350	400	5	18	442	445	50			442	445	50	
225S	356	286	-	545	149	140	60	350	400	450	5	18	490	470	50			490	470	50	
225M	356	-	311	545	149	140	60	350	400	450	5	18	490	470	50			490	470	50	
250S	406	311	-	616	168	140	65											600	510	63	
250M	406	-	349	616	168	140	65											600	535	63	
280S	457	368	-	677	190	140	75											650	535	63	
280M	457	-	419	677	190	140	75											650	535	63	
280K	457	500	-	677	190	140	75											650	535	63	
280H	457	630	-	677	190	140	75											650	535	63	
L280H	457	635	-	677	202	205	75											650	535	63	

PART NUMBER INDEX



Part Number	Page	Part Number	Page	Part Number	Page	Part Number	Page
004060	B17-42	005097	B17-51	006124	B17-38	010112	B17-57
004063	B17-42	005100	B17-51	006125	B17-38	010114	B17-57
004066	B17-42	005117	B17-37	006128	B17-38	010117	B17-57
004069	B17-42	005195	B17-51	006129	B17-38	010120	B17-57
004072	B17-42	005198	B17-51	006132	B17-38	010123	B17-57
004075	B17-42	005199	B17-51	006136	B17-38	010126	B17-57
004078	B17-42	005201	B17-51	006140	B17-38	010127	B17-57
004081	B17-42	006001	B17-40	006144	B17-38	010128	B17-57
004084	B17-42	006004	B17-40	006148	B17-38	010129	B17-57
004087	B17-42	006007	B17-40	006152	B17-38	010130	B17-57
004090	B17-42	006010	B17-40	010020	B17-57	010131	B17-57
004093	B17-42	006013	B17-40	010021	B17-57	012215	B17-46
004096	B17-42	006016	B17-40	010024	B17-57	012216	B17-46
004099	B17-42	006019	B17-40	010028	B17-57	012217	B17-46
004102	B17-42	006022	B17-40	010029	B17-57	012302	B4-82
004105	B17-42	006025	B17-40	010032	B17-57	012303	B4-82
004108	B17-42	006028	B17-40	010036	B17-57	012340	B4-82
004113	B17-42	006031	B17-40	010039	B17-57	012341	B4-82
004114	B17-42	006034	B17-40	010043	B17-57	012342	B4-82
004115	B17-42	006037	B17-40	010048	B17-57	012343	B4-82
004116	B17-42	006040	B17-40	010051	B17-57	013497	B19-24, B19-25
005050	B17-37	006043	B17-40	010054	B17-57	013498	B19-24, B19-25
005051	B17-37	006046	B17-40	010055	B17-57	013499	B19-24, B19-25
005052	B17-37	006049	B17-40	010056	B17-57	013511	B19-24, B19-25
005053	B17-37	006052	B17-40	010057	B17-57	013512	B19-24, B19-25
005055	B17-37	006055	B17-40	010058	B17-57	013513	B19-24, B19-25
005056	B17-37	006058	B17-40	010059	B17-57	013514	B19-24, B19-25
005057	B17-37	006061	B17-40	010060	B17-57	013515	B19-24, B19-25
005058	B17-37	006064	B17-40	010061	B17-57	013519	B19-24, B19-25
005059	B17-37	006067	B17-40	010075	B17-57	013520	B19-24, B19-25
005060	B17-37	006070	B17-40	010076	B17-57	013900	B19-24, B19-25
005061	B17-37	006073	B17-40	010077	B17-57	013901	B19-24, B19-25
005062	B17-37	006076	B17-40	010078	B17-57	013902	B19-24, B19-25
005063	B17-37	006079	B17-40	010080	B17-57	013903	B19-24, B19-25
005064	B17-37	006082	B17-40	010081	B17-57	013904	B19-24, B19-25
005065	B17-37	006102	B17-38	010084	B17-57	013905	B19-24, B19-25
005066	B17-37	006104	B17-38	010085	B17-57	013906	B19-24, B19-25
005067	B17-37	006107	B17-38	010088	B17-57	013907	B19-24, B19-25
005068	B17-37	006109	B17-38	010089	B17-57	013908	B19-24, B19-25
005070	B17-50	006110	B17-38	010092	B17-57	013909	B19-24, B19-25
005073	B17-50	006111	B17-38	010093	B17-57	013910	B19-24, B19-25
005076	B17-50	006113	B17-38	010096	B17-57	013916	B19-24, B19-25
005079	B17-50	006114	B17-38	010097	B17-57	013917	B19-24, B19-25
005082	B17-50	006115	B17-38	010100	B17-57	013918	B19-24, B19-25
005085	B17-51	006117	B17-38	010104	B17-57	019200	B19-27, B19-28
005088	B17-51	006118	B17-38	010105	B17-57	019201	B19-27, B19-28
005091	B17-51	006119	B17-38	010107	B17-57	019202	B19-27, B19-28
005094	B17-51	006120	B17-38	010110	B17-57	019203	B19-27, B19-28



PART NUMBER INDEX

Part Number	Page	Part Number	Page	Part Number	Page	Part Number	Page
019204	B19-27, B19-28	22213	B16-8	023046	B10-25	023094	B10-27
019210	B19-27, B19-28	22215	B16-8	023047	B10-23	023095	B10-27
019211	B19-27, B19-28	22218	B16-8	023048	B10-23	023096	B10-27
019212	B19-27, B19-28	22220	B16-8	023049	B10-23	023097	B10-27
019213	B19-27, B19-28	22222	B16-8	023050	B10-23	023098	B10-27
019214	B19-27, B19-28	22226	B16-8	023051	B10-23	023099	B10-27
019220	B19-27, B19-28	22228	B16-8	023052	B10-23	023100	B10-27
019221	B19-27, B19-28	22232	B16-8	023053	B10-23	023101	B10-27
019222	B19-27, B19-28	023000	B10-23	023054	B10-23	023102	B10-27
019223	B19-27, B19-28	023001	B10-23	023055	B10-23	023103	B10-27
019224	B19-27, B19-28	023002	B10-23	023056	B10-23	023104	B10-27
019230	B19-27, B19-28	023003	B10-23	023057	B10-23	023105	B10-27
019231	B19-27, B19-28	023004	B10-23	023058	B10-23	023106	B10-27
019232	B19-27, B19-28	023005	B10-23	023059	B10-23	023107	B10-27
019233	B19-27, B19-28	023006	B10-23	023060	B10-23	023108	B10-27
019234	B19-27, B19-28	023007	B10-23	023061	B10-23	023109	B10-27
019240	B19-27, B19-28	023008	B10-23	023062	B10-23	023110	B10-27
019241	B19-27, B19-28	023009	B10-23	023063	B10-23	023111	B10-27
019242	B19-27, B19-28	023010	B10-23	023064	B10-23	023112	B10-27
019243	B19-27, B19-28	023011	B10-23	023065	B10-23	023113	B10-27
019244	B19-27, B19-28	023012	B10-23	023066	B10-23	023114	B10-27
019250	B19-27, B19-28	023013	B10-23	023067	B10-23	023115	B10-27
019251	B19-27, B19-28	023014	B10-23	023068	B10-23	023116	B10-27
019252	B19-27, B19-28	023015	B10-23	023069	B10-23	023117	B10-27
019253	B19-27, B19-28	023016	B10-23	023070	B10-25	023118	B10-27
019254	B19-27, B19-28	023017	B10-23	023071	B10-25	023119	B10-27
019260	B19-27, B19-28	023018	B10-23	023072	B10-25	023120	B10-29
019261	B19-27, B19-28	023019	B10-23	023073	B10-25	023121	B10-29
019262	B19-27, B19-28	023020	B10-23	023074	B10-25	023122	B10-29
019263	B19-27, B19-28	023021	B10-23	023075	B10-25	023123	B10-29
019264	B19-27, B19-28	023022	B10-23	023076	B10-31	023124	B10-29
019270	B19-27, B19-28	023023	B10-25	023077	B10-31	023125	B10-29
019271	B19-27, B19-28	023024	B10-25	023078	B10-31	023126	B10-29
019272	B19-27, B19-28	023025	B10-25	023079	B10-31	023127	B10-29
019273	B19-27, B19-28	023026	B10-25	023080	B10-31	023128	B10-29
019274	B19-27, B19-28	023027	B10-25	023081	B10-31	023129	B10-29
019280	B19-27, B19-28	023028	B10-25	023082	B10-31	023130	B10-29
019281	B19-27, B19-28	023029	B10-25	023083	B10-31	023131	B10-29
019282	B19-27, B19-28	023030	B10-25	023084	B10-31	023132	B10-29
019283	B19-27, B19-28	023031	B10-25	023085	B10-31	023133	B10-29
019284	B19-27, B19-28	023032	B10-25	023086	B10-31	023134	B10-29
021218	B17-46	023033	B10-25	023087	B10-31	023135	B10-29
021219	B17-46	023040	B10-25	023088	B10-31	023136	B10-29
021220	B17-46	023041	B10-25	023089	B10-31	023137	B10-29
22208	B16-8	023042	B10-25	023090	B10-31	023138	B10-29
22209	B16-8	023043	B10-25	023091	B10-31	023139	B10-29
22210	B16-8	023044	B10-25	023092	B10-31	023140	B10-29
22211	B16-8	023045	B10-25	023093	B10-27	023141	B10-29

Eccentric Collar Ball Bearings

Setcrew WSC Ball Bearing

Eccentric SXV Collar Ball Bearing

Take-Up Frames

Engineering

Part Number Index

Keyword Index

PART NUMBER INDEX



Part Number	Page	Part Number	Page	Part Number	Page	Part Number	Page
023142	B10-29	023193	B10-41	023272	B10-45	023330	B10-51
023143	B10-29	023194	B10-41	023273	B10-45	023331	B10-51
023144	B10-29	023195	B10-41	023274	B10-45	023332	B10-51
023145	B10-29	023196	B10-41	023275	B10-45	023333	B10-51
023146	B10-29	023197	B10-41	023276	B10-45	023334	B10-51
023147	B10-29	023198	B10-41	023277	B10-45	023335	B10-51
023148	B10-29	023199	B10-41	023278	B10-45	023337	B10-51
023149	B10-33	023200	B10-41	023279	B10-45	023338	B10-51
023150	B10-33	023201	B10-41	023280	B10-45	023339	B10-51
023151	B10-33	023203	B10-41	023281	B10-45	023340	B10-51
023152	B10-33	023204	B10-41	023282	B10-45	023341	B10-51
023153	B10-33	023205	B10-41	023283	B10-45	023342	B10-51
023154	B10-33	023206	B10-41	023284	B10-45	023343	B10-51
023155	B10-33	023208	B10-41	023285	B10-45	023344	B10-51
023156	B10-33	023209	B10-41	023286	B10-45	023345	B10-51
023157	B10-33	023210	B10-41	023287	B10-45	023346	B10-51
023158	B10-33	023212	B10-43	023288	B10-45	023347	B10-51
023159	B10-33	023214	B10-43	023289	B10-45	023349	B10-51
023160	B10-33	023215	B10-43	023290	B10-45	023350	B10-51
023161	B10-33	023219	B10-43	023291	B10-45	023352	B10-53
023162	B10-33	023220	B10-43	023292	B10-45	023353	B10-53
023163	B10-33	023221	B10-43	023293	B10-45	023354	B10-53
023164	B10-33	023223	B10-43	023294	B10-45	023356	B10-53
023165	B10-33	023224	B10-43	023295	B10-45	023357	B10-53
023166	B10-33	023227	B10-43	023296	B10-45	023360	B10-53
023167	B10-41	023228	B10-43	023297	B10-45	023361	B10-53
023168	B10-41	023230	B10-43	023298	B10-45	023362	B10-53
023170	B10-41	023232	B10-43	023299	B10-45	023363	B10-53
023171	B10-41	023234	B10-43	023300	B10-45	023364	B10-53
023172	B10-41	023236	B10-43	023301	B10-45	023365	B10-53
023173	B10-41	023237	B10-43	023302	B10-45	023366	B10-53
023174	B10-41	023241	B10-43	023303	B10-45	023367	B10-53
023175	B10-41	023242	B10-43	023304	B10-45	023368	B10-53
023176	B10-41	023243	B10-43	023305	B10-45	023369	B10-53
023177	B10-41	023245	B10-43	023306	B10-45	023376	B10-51
023178	B10-41	023246	B10-43	023307	B10-45	023377	B10-51
023179	B10-41	023249	B10-43	023308	B10-45	023378	B10-51
023180	B10-41	023250	B10-43	023309	B10-45	023379	B10-51
023181	B10-41	023252	B10-43	023310	B10-45	023380	B10-51
023182	B10-41	023254	B10-43	023311	B10-45	023381	B10-51
023183	B10-41	023256	B10-47	023312	B10-45	023382	B10-51
023184	B10-41	023261	B10-47	023314	B10-49	023384	B10-51
023186	B10-41	023263	B10-47	023316	B10-49	023385	B10-51
023187	B10-41	023265	B10-47	023318	B10-49	023386	B10-51
023188	B10-41	023266	B10-47	023322	B10-49	023387	B10-51
023189	B10-41	023269	B10-47	023325	B10-49	023388	B10-51
023190	B10-41	023270	B10-47	023327	B10-49	023389	B10-51
023192	B10-41	023271	B10-45	023329	B10-51	023390	B10-51



PART NUMBER INDEX

Part Number	Page	Part Number	Page	Part Number	Page	Part Number	Page
023391	B10-51	023481	B10-57	023525	B10-51, B10-53, B10-57	023588	B10-61
023392	B10-51	023482	B10-57			023589	B10-61
023393	B10-51	023483	B10-57	023526	B10-51, B10-57	023590	B10-61
023394	B10-51	023484	B10-57	023527	B10-57	023603	B10-61
023396	B10-51	023485	B10-57	023528	B10-51, B10-53, B10-57	023604	B10-61
023397	B10-51	023486	B10-57			023605	B10-61
023399	B10-53	023487	B10-57	023529	B10-51, B10-53, B10-57	023606	B10-61
023400	B10-53	023488	B10-57			023607	B10-61
023401	B10-53	023489	B10-57	023530	B10-53, B10-57	023608	B10-61
023403	B10-53	023490	B10-57	023531	B10-53, B10-57	023609	B10-61
023404	B10-53	023491	B10-57	023532	B10-53, B10-57	023610	B10-61, B10-63
023407	B10-53	023492	B10-57	023533	B10-53, B10-57	023611	B10-61, B10-63
023408	B10-53	023493	B10-57	023534	B10-53, B10-57	023612	B10-61, B10-63
023409	B10-53	023494	B10-57	023535	B10-53, B10-57	023613	B10-61, B10-63
023410	B10-53	023495	B10-57	023536	B10-53, B10-57	023614	B10-61, B10-63
023411	B10-53	023496	B10-57	023537	B10-53, B10-57	023615	B10-61, B10-63
023412	B10-53	023497	B10-57	023538	B10-57	023616	B10-61, B10-63
023413	B10-53	023498	B10-57	023539	B10-57	023620	B10-75
023414	B10-53	023499	B10-57	023540	B10-57	023621	B10-75
023415	B10-53	023500	B10-57	023541	B10-57	023622	B10-75
023416	B10-53	023501	B10-57	023542	B10-57	023623	B10-75
023425	B10-55	023502	B10-57	023543	B10-57	023624	B10-75
023431	B10-55	023503	B10-57	023545	B10-57	023625	B10-75
023432	B10-55	023504	B10-57	023546	B10-57	023626	B10-75
023433	B10-55	023505	B10-57	023547	B10-57	023627	B10-75
023435	B10-55	023506	B10-57	023548	B10-57	023628	B10-75
023436	B10-55	023507	B10-57	023550	B10-57	023629	B10-75
023439	B10-55	023508	B10-51, B10-57	023552	B10-57	023630	B10-75
023440	B10-55	023509	B10-51, B10-57	023553	B10-57	023631	B10-75
023443	B10-55	023510	B10-51, B10-57	023554	B10-57	023632	B10-75
023445	B10-55	023511	B10-51, B10-57	023556	B10-57	023633	B10-75
023447	B10-55	023512	B10-51, B10-57	023557	B10-57	023634	B10-75
023448	B10-55	023513	B10-51, B10-57	023558	B10-57	023635	B10-75
023449	B10-55	023514	B10-51, B10-57	023559	B10-57	023636	B10-75
023454	B10-55	023515	B10-57	023560	B10-57	023637	B10-75
023460	B10-55	023516	B10-51, B10-57	023561	B10-57	023638	B10-75
023461	B10-55	023517	B10-51, B10-57	023564	B10-57	023639	B10-75
023462	B10-55	023518	B10-51, B10-57	023565	B10-57	023640	B10-75
023464	B10-55	023519	B10-51, B10-57	023566	B10-57	023641	B10-75
023465	B10-55	023520	B10-51, B10-53, B10-57	023567	B10-57	023690	B10-25
023468	B10-55			023568	B10-57	023691	B10-25
023469	B10-55	023521	B10-51, B10-53, B10-57	023569	B10-57	023692	B10-25
023472	B10-55			023570	B10-57	023693	B10-25
023474	B10-55	023522	B10-51, B10-53, B10-57	023571	B10-57	023694	B10-25
023476	B10-55			023584	B10-61	023695	B10-25
023477	B10-55	023523	B10-51, B10-57	023585	B10-61	023700	B10-77
023478	B10-55	023524	B10-51, B10-53, B10-57	023586	B10-61	023701	B10-77
023480	B10-57			023587	B10-61	023702	B10-77

PART NUMBER INDEX



Part Number	Page	Part Number	Page	Part Number	Page	Part Number	Page
023703	B10-77	032955	B17-12	033196	B17-16	033480	B17-14
023704	B10-77	032956	B17-12	033197	B17-16	033485	B17-14
023705	B10-77	032957	B17-12	033198	B17-16	033490	B17-14
023706	B10-77	032959	B17-12	033200	B17-18	033500	B17-14
023707	B10-77	032960	B17-12	033201	B17-18	033505	B17-14
023708	B10-77	032970	B17-12	033202	B17-18	033510	B17-14
023709	B10-77	032971	B17-12	033203	B17-18	033515	B17-14
023710	B10-77	032972	B17-12	033204	B17-18	033525	B17-14
023711	B10-77	032973	B17-12	033205	B17-18	033530	B17-14
023712	B10-77	032975	B17-12	033206	B17-18	033535	B17-14
023713	B10-77	032976	B17-12	033207	B17-18	033540	B17-14
023714	B10-77	032977	B17-12	033208	B17-18	033585	B17-26
023715	B10-77	032979	B17-12	033209	B17-18	033586	B17-26
023795	B10-65	032980	B17-12	033210	B17-18	033587	B17-26
023796	B10-65	032981	B17-12	033211	B17-18	033588	B17-26
023797	B10-65	032983	B17-12	033212	B17-18	033589	B17-26
023798	B10-65	032984	B17-12	033213	B17-18	033590	B17-26
023799	B10-65	032985	B17-12	033214	B17-18	033591	B17-26
023800	B10-65	032986	B17-12	033215	B17-18	033592	B17-26
023801	B10-65	032987	B17-12	033216	B17-18	033593	B17-26
032867	B2-76	032989	B17-12	033217	B17-18	033594	B17-26
032868	B2-76	032990	B17-12	033218	B17-18	033595	B17-26
032871	B2-76	033077	B17-10	033247	B17-14	033596	B17-26
032872	B2-76	033085	B17-16	033251	B17-14	033597	B17-26
032874	B2-76	033086	B17-16	033260	B17-18	033598	B17-26
032875	B2-76	033087	B17-16	033261	B17-18	033599	B17-26
032876	B2-76	033088	B17-16	033262	B17-18	033600	B17-26
032877	B2-76	033089	B17-16	033263	B17-18	033601	B17-26
032878	B2-76	033090	B17-16	033264	B17-18	033602	B17-26
032879	B2-76	033091	B17-16	033265	B17-18	033610	B17-26
032881	B2-76	033092	B17-16	033266	B17-18	033611	B17-26
032882	B2-76	033093	B17-16	033267	B17-18	033612	B17-26
032886	B2-76	033094	B17-16	033268	B17-18	033613	B17-26
032887	B2-76	033095	B17-16	033269	B17-18	033614	B17-26
032923	B17-15	033096	B17-16	033270	B17-18	033615	B17-26
032937	B17-15	033097	B17-16	033271	B17-18	033616	B17-26
032940	B17-12	033098	B17-16	033272	B17-18	033617	B17-26
032941	B17-12	033185	B17-16	033273	B17-18	033618	B17-26
032942	B17-12	033186	B17-16	033274	B17-18	033619	B17-26
032943	B17-12	033187	B17-16	033275	B17-18	033620	B17-26
032945	B17-12	033188	B17-16	033276	B17-18	033621	B17-26
032946	B17-12	033189	B17-16	033277	B17-18	033622	B17-26
032947	B17-12	033190	B17-16	033278	B17-18	033623	B17-26
032949	B17-12	033191	B17-16	033321	B17-15	033624	B17-26
032950	B17-12	033192	B17-16	033323	B17-15	033625	B17-26
032951	B17-12	033193	B17-16	033347	B17-14	033626	B17-26
032953	B17-12	033194	B17-16	033351	B17-14	033627	B17-26
032954	B17-12	033195	B17-16	033475	B17-14	033667	B17-10



PART NUMBER INDEX

Part Number	Page	Part Number	Page	Part Number	Page	Part Number	Page
033668	B17-10	033819	B17-20	033888	B17-22	033953	B17-30
033669	B17-10	033820	B17-20	033890	B17-31	033954	B17-30
033670	B17-10	033821	B17-20	033891	B17-31	033955	B17-30
033672	B17-10	033822	B17-20	033892	B17-31	033960	B17-29
033673	B17-10	033823	B17-20	033893	B17-31	033961	B17-29
033674	B17-10	033824	B17-20	033894	B17-31	033962	B17-29
033676	B17-10	033825	B17-20	033895	B17-31	033963	B17-29
033677	B17-10	033826	B17-20	033896	B17-31	033964	B17-29
033678	B17-10	033840	B17-20	033897	B17-31	033965	B17-29
033680	B17-10	033841	B17-20	033899	B17-15	033966	B17-29
033681	B17-10	033842	B17-20	033900	B17-31	033967	B17-29
033682	B17-10	033843	B17-20	033901	B17-31	033968	B17-29
033683	B17-10	033844	B17-20	033902	B17-31	033974	B17-10
033684	B17-10	033845	B17-20	033903	B17-31	033977	B17-10
033686	B17-10	033846	B17-20	033904	B17-31	033978	B17-10
033687	B17-10	033847	B17-20	033905	B17-31	033979	B17-10
033688	B17-10	033848	B17-20	033906	B17-31	033980	B17-10
033692	B17-32	033849	B17-20	033907	B17-31	033982	B17-10
033693	B17-32	033850	B17-20	033910	B17-22	033983	B17-10
033694	B17-32	033851	B17-20	033911	B17-22	033984	B17-10
033695	B17-32	033852	B17-20	033912	B17-22	033986	B17-10
033696	B17-33	033853	B17-20	033913	B17-22	033987	B17-10
033697	B17-33	033854	B17-20	033914	B17-22	033988	B17-10
033698	B17-33	033855	B17-20	033915	B17-22	033990	B17-10
033699	B17-33	033856	B17-20	033916	B17-22	033991	B17-10
033739	B17-24	033862	B17-15	033917	B17-22	033992	B17-10
033740	B17-24	033863	B17-15	033918	B17-22	033993	B17-10
033741	B17-24	033867	B17-15	033919	B17-22	033994	B17-10
033742	B17-24	033868	B17-15	033920	B17-22	033996	B17-10
033743	B17-24	033869	B17-15	033921	B17-22	033997	B17-10
033744	B17-24	033870	B17-22	033922	B17-22	033998	B17-10
033745	B17-24	033871	B17-22	033923	B17-22	034020	B19-44
033750	B17-24	033872	B17-22	033924	B17-22	034021	B19-44
033751	B17-24	033873	B17-22	033925	B17-22	034022	B19-44
033752	B17-24	033874	B17-22	033926	B17-22	034023	B19-44
033753	B17-24	033875	B17-22	033927	B17-22	034024	B19-44
033754	B17-24	033876	B17-22	033928	B17-22	034025	B19-44
033755	B17-24	033877	B17-22	033929	B17-15	034030	B17-54, B19-44
033756	B17-24	033878	B17-22	033930	B17-15	034031	B17-54, B19-44
033810	B17-20	033879	B17-22	033931	B17-15	034032	B17-54, B19-44
033811	B17-20	033880	B17-22	033932	B17-15	034033	B17-54, B19-44
033812	B17-20	033881	B17-22	033933	B17-15	034034	B17-54, B19-44
033813	B17-20	033882	B17-22	033934	B17-15	034035	B17-54, B19-44
033814	B17-20	033883	B17-22	033937	B17-30	034117	B17-26
033815	B17-20	033884	B17-22	033938	B17-30	034218	B17-16
033816	B17-20	033885	B17-22	033939	B17-30	034221	B17-10
033817	B17-20	033886	B17-22	033940	B17-30	034225	B17-10
033818	B17-20	033887	B17-22	033952	B17-30	034226	B17-10

Eccentric Collar Ball Bearings

Setcrew WSC Ball Bearing

Eccentric SXV Collar Ball Bearing

Take-Up Frames

Engineering

Part Number Index

Keyword Index

PART NUMBER INDEX



Part Number	Page	Part Number	Page	Part Number	Page	Part Number	Page
034227	B17-10	034275	B17-18	034327	B17-22	034701	B2-71
034228	B17-10	034276	B17-18	034328	B17-22	034702	B2-71
034229	B17-10	034277	B17-18	034329	B17-22	034703	B2-71
034230	B17-10	034278	B17-18	034330	B17-22	034704	B2-71
034231	B17-10	034279	B17-18	034331	B17-22	034705	B2-71
034232	B17-10	034280	B17-18	034332	B17-22	034706	B2-71
034233	B17-10	034281	B17-18	034438	B17-28	034709	B2-71
034234	B17-10	034282	B17-18	034439	B17-28	034710	B2-72
034235	B17-10	034283	B17-18	034440	B17-28	034711	B2-72
034236	B17-10	034284	B17-18	034441	B17-28	034712	B2-72
034237	B17-10	034285	B17-18	034442	B17-28	034713	B2-72
034238	B17-10	034286	B17-18	034443	B17-28	034714	B2-72
034239	B17-10	034287	B17-18	034444	B17-28	034715	B2-72
034240	B17-10	034288	B17-18	034445	B17-28	034716	B2-75
034241	B17-10	034289	B17-18	034446	B17-28	034717	B2-75
034242	B17-10	034290	B17-18	034447	B17-28	034718	B2-75
034243	B17-10	034291	B17-18	034448	B17-28	034719	B2-75
034244	B17-12	034292	B17-18	034449	B17-28	034720	B2-75
034245	B17-12	034293	B17-20	034450	B17-28	034721	B2-75
034246	B17-12	034294	B17-20	034451	B17-28	034722	B2-75
034247	B17-12	034295	B17-20	034452	B17-28	034725	B2-75
034248	B17-12	034296	B17-20	034453	B17-28	034726	B2-73
034249	B17-12	034297	B17-20	034454	B17-26	034727	B2-73
034250	B17-12	034298	B17-20	034455	B17-26	034728	B2-73
034251	B17-12	034299	B17-20	034456	B17-26	034729	B2-73
034252	B17-12	034300	B17-20	034457	B17-26	034730	B2-73
034253	B17-12	034303	B17-20	034458	B17-26	034731	B2-73
034254	B17-12	034304	B17-20	034459	B17-26	034732	B2-73
034255	B17-12	034305	B17-20	034460	B17-26	034735	B2-73
034256	B17-12	034306	B17-20	034461	B17-26	034736	B2-74
034257	B17-12	034307	B17-20	034462	B17-26	034737	B2-74
034258	B17-12	034308	B17-20	034463	B17-26	034738	B2-74
034259	B17-12	034309	B17-20	034464	B17-26	034739	B2-74
034260	B17-16	034310	B17-20	034465	B17-26	034740	B2-74
034261	B17-16	034313	B17-22	034466	B17-26	034741	B2-74
034262	B17-16	034314	B17-22	034467	B17-26	034748	B2-71
034263	B17-16	034315	B17-22	034468	B17-26	034749	B2-71
034264	B17-16	034316	B17-22	034469	B17-26	034750	B2-71
034265	B17-16	034317	B17-22	034470	B17-26	034751	B2-71
034266	B17-16	034318	B17-22	034471	B17-26	034752	B2-71
034267	B17-16	034319	B17-22	034472	B17-26	034754	B2-71
034268	B17-16	034320	B17-22	034473	B17-26	034755	B2-72
034269	B17-16	034321	B17-22	034525	B17-26	034756	B2-72
034270	B17-16	034322	B17-22	034596	B17-12	034757	B2-72
034271	B17-16	034323	B17-22	034597	B17-12	034758	B2-72
034272	B17-16	034324	B17-22	034598	B17-12	034759	B2-75
034273	B17-18	034325	B17-22	034599	B17-12	034760	B2-75
034274	B17-18	034326	B17-22	034700	B2-71	034761	B2-75

Eccentric Collar Ball Bearing

Setscrew VSC Ball Bearing

Eccentric SXV Collar Ball Bearing

Take-Up Frames

Engineering

Part Number Index

Keyword Index



PART NUMBER INDEX

Part Number	Page	Part Number	Page	Part Number	Page	Part Number	Page
034762	B2-75	035762	B15-50	036182	B19-45	037020	B17-48
034763	B2-75	035763	B15-50	036183	B19-45	037022	B17-48
034765	B2-75	035764	B15-50	036184	B19-45	037024	B17-48
034766	B2-73	035765	B15-50	036185	B19-45	037026	B17-48
034767	B2-73	035766	B15-50	036186	B19-45	037426	B15-84
034768	B2-73	035767	B15-50	036187	B19-45	037427	B15-84
034769	B2-73	035768	B15-50	036188	B19-45	037428	B15-84, B15-85
034770	B2-73	035769	B15-50	036193	B19-45	037429	B15-85
034772	B2-73	035770	B15-50	036194	B19-45	037430	B15-85
034773	B2-74	035771	B15-51	036196	B19-45	037431	B15-85
034774	B2-74	035772	B15-51	036197	B19-45	037432	B15-84
034775	B2-74	035773	B15-51	036198	B19-45	037433	B15-84
034776	B2-74	035774	B15-51	036199	B19-45	037434	B15-84
035025	B17-55	035775	B15-50	036200	B19-45	037435	B15-84
035026	B17-55	035776	B15-50	036270	B19-45	037436	B15-84, B15-85
035027	B17-55	035777	B15-50	036274	B19-45	037437	B15-84, B15-85
035028	B17-55	035778	B15-50	036350	B19-21	037438	B15-85
035029	B17-55	035779	B15-50	036351	B19-21	037439	B15-85
035030	B17-55	035780	B15-50	036352	B19-21	037440	B15-85
035031	B17-56	035781	B15-51	036353	B19-21	037441	B15-85
035032	B17-56	035782	B15-51	036354	B19-21	037442	B15-84
035033	B17-56	035783	B15-51	036355	B19-21	037443	B15-84
035034	B17-56	035784	B15-51	036356	B19-21	037444	B15-84
035035	B17-56	035785	B15-51	036357	B19-21	037446	B15-84
035036	B17-56	035786	B15-51	036358	B19-21	037447	B15-84
035083	B17-56	035787	B15-51	036359	B19-21	037448	B15-84
035107	B17-55	035788	B15-51	036360	B19-21	037449	B15-84, B15-85
035108	B17-55	035789	B15-51	036361	B19-21	037450	B15-84, B15-85
035116	B17-56	035790	B15-51	036362	B19-21	037451	B15-85
035117	B17-56	035791	B15-51	036363	B19-21	037452	B15-85
035183	B15-85	035915	B15-112	036364	B19-21	037461	B15-84
035185	B15-85	035916	B15-112	036365	B19-21	037462	B15-84
035417	B15-85	035917	B15-112	036366	B19-21	037464	B15-84
035418	B15-85	035929	B15-95	036367	B19-21	037465	B15-84
035431	B15-95	035930	B15-95	036567	B5-20	037540	B10-59
035432	B15-95	035931	B15-95	037001	B17-48	037541	B10-59
035433	B15-95	035943	B15-85	037002	B17-48	037542	B10-59
035437	B15-112	035944	B15-85	037003	B17-48	037543	B10-59
035438	B15-112	035945	B15-85	037004	B17-48	037544	B10-59
035439	B15-112	035946	B15-85	037005	B17-48	037545	B10-59
035744	B15-113, B15-119	036054	B11-17	037006	B17-48	037546	B10-59
035745	B15-113, B15-119	036116	B11-17	037007	B17-48	037547	B10-59
035747	B15-113, B15-119	036118	B11-17	037009	B17-48	037548	B10-61, B10-67
035748	B15-113, B15-119	036119	B11-17	037010	B17-48	037549	B10-61
035749	B15-113, B15-119	036120	B11-17	037011	B17-48	037550	B10-61, B10-67
035750	B15-113, B15-119	036121	B11-17	037012	B17-48	037551	B10-61, B10-67
035751	B15-113, B15-119	036180	B19-45	037013	B17-48	037552	B10-61, B10-67
035752	B15-113, B15-119	036181	B19-45	037017	B17-48	037553	B10-61, B10-67

Eccentric Collar Ball Bearings
 Setscrew WSC Ball Bearing
 Eccentric SXV Collar Ball Bearing
 Take-Up Frames
 Engineering
 Part Number Index
 Keyword Index

PART NUMBER INDEX



Part Number	Page	Part Number	Page	Part Number	Page	Part Number	Page
037554	B10-61, B10-67	037612	B10-61	037652	B10-64	037920	B14-54
037555	B10-59	037613	B10-61	037653	B10-64	037921	B14-54
037556	B10-59	037614	B10-61	037654	B10-64	037922	B14-54
037557	B10-59	037615	B10-61	037655	B10-64	037923	B14-54
037558	B10-59	037616	B10-61	037656	B10-64	037924	B14-54
037559	B10-59	037617	B10-61	037657	B10-64	037925	B14-102
037560	B10-59	037618	B10-61	037658	B10-64	037926	B14-102
037561	B10-59	037619	B10-61	037659	B10-64	037927	B14-102
037562	B10-59	037620	B10-61	037660	B10-64	037928	B14-102
037563	B10-61	037621	B10-61	037673	B10-64	037929	B14-102
037564	B10-61	037622	B10-61	037674	B10-64	037930	B14-102
037565	B10-61	037623	B10-61	037681	B10-66	037931	B14-102
037566	B10-61	037624	B10-61	037682	B10-66	037932	B14-102
037567	B10-61	037625	B10-61	037683	B10-66	037933	B14-102
037568	B10-61	037626	B10-61	037684	B10-66	037934	B14-102
037569	B10-61	037627	B10-61	037685	B10-66	037935	B14-102
037580	B10-59	037628	B10-61	037686	B10-66	037936	B14-102
037581	B10-59	037629	B10-61	037687	B10-66	037937	B14-102
037582	B10-59	037630	B10-61	037688	B10-66	037938	B14-102
037583	B10-59	037631	B10-61	037689	B10-66	037939	B14-102
037584	B10-59	037632	B10-59, B10-63	037690	B10-66	037940	B14-102
037585	B10-59	037633	B10-59, B10-63	037850	B14-54	038060	B19-12
037586	B10-59	037634	B10-59, B10-63	037851	B14-54	038061	B19-12
037587	B10-59	037635	B10-59, B10-63	037852	B14-54	038062	B19-12
037588	B10-59	037636	B10-59, B10-61,	037853	B14-54	038063	B19-12
037589	B10-59		B10-63	037854	B14-54	038064	B19-12
037590	B10-59	037637	B10-59, B10-61,	037855	B14-54	038070	B19-12
037591	B10-59		B10-63	037856	B14-54	038071	B19-12
037592	B10-59	037638	B10-59, B10-61,	037857	B14-54	038072	B19-12
037593	B10-59		B10-63	037901	B14-54	038073	B19-12
037594	B10-59	037639	B10-59, B10-61,	037902	B14-54	038074	B19-12
037595	B10-59		B10-63	037903	B14-54	038075	B19-12
037596	B10-59	037640	B10-59, B10-61,	037904	B14-54	038076	B19-12
037597	B10-59		B10-63	037905	B14-54	038077	B19-12
037598	B10-59	037641	B10-59, B10-61,	037906	B14-54	038078	B19-12
037599	B10-59		B10-63	037907	B14-54	038109	B19-8
037600	B10-59	037642	B10-59, B10-61,	037908	B14-54	038110	B19-8
037601	B10-59		B10-63	037909	B14-54	038111	B19-8
037602	B10-59	037643	B10-59, B10-61,	037910	B14-54	038112	B19-8
037603	B10-59		B10-63	037911	B14-54	038113	B19-8
037604	B10-61	037644	B10-61, B10-63	037912	B14-54	038114	B19-8
037605	B10-61	037645	B10-61, B10-63	037913	B14-54	038115	B19-8
037606	B10-61	037646	B10-61, B10-63	037914	B14-54	038116	B19-8
037607	B10-61	037647	B10-61, B10-63	037915	B14-54	038117	B19-8
037608	B10-61	037648	B10-61, B10-63	037916	B14-54	038118	B19-8
037609	B10-61	037649	B10-61, B10-63	037917	B14-54	038119	B19-8
037610	B10-61	037650	B10-64	037918	B14-54	038200	B19-11
037611	B10-61	037651	B10-64	037919	B14-54	038201	B19-11



PART NUMBER INDEX

Part Number	Page	Part Number	Page	Part Number	Page	Part Number	Page
038202	B19-11	038930	B19-31, B19-32	039123	B15-49	039211	B15-101
038203	B19-11	038932	B19-31, B19-32	039124	B15-49	039213	B15-101
038204	B19-11	039002	B19-31, B19-32	039125	B15-49	039215	B15-101
038205	B19-11	039003	B19-31, B19-32	039126	B15-49	039217	B15-33, B15-35
038206	B19-11	039004	B19-31, B19-32	039127	B15-49	039218	B15-33, B15-35
038207	B19-11	039005	B19-31, B19-32	039128	B15-49	039219	B15-33, B15-35
038208	B19-11	039006	B19-31, B19-32	039129	B15-49	039220	B15-33, B15-35
038209	B19-11	039007	B19-31, B19-32	039138	B15-33	039221	B15-33, B15-35
038210	B19-11	039008	B19-31, B19-32	039141	B15-33	039222	B15-33, B15-35
038211	B19-11	039009	B19-31, B19-32	039142	B15-33	039223	B15-33, B15-35
038212	B19-11	039010	B19-31, B19-32	039147	B15-33	039224	B15-33, B15-34, B15-35
038213	B19-11	039011	B19-31, B19-32	039148	B15-33	039225	B15-34, B15-35
038214	B19-11	039012	B19-31, B19-32	039151	B15-33	039226	B15-34, B15-35
038215	B19-11	039013	B19-31, B19-32	039152	B15-33	039227	B15-34, B15-35
038216	B19-11	039014	B19-31, B19-32	039155	B15-33	039228	B15-34, B15-35
038217	B19-11	039015	B19-31, B19-32	039156	B15-33	039289	B15-103, B15-106, B15-113, B15-119
038218	B19-11	039016	B19-31, B19-32	039159	B15-33	039290	B15-119
038219	B19-11	039017	B19-31, B19-32	039160	B15-33	039291	B15-103, B15-106, B15-113, B15-119
038220	B19-11	039018	B19-31, B19-32	039163	B15-33	039292	B15-103, B15-106, B15-113, B15-119
038221	B19-11	039019	B19-31, B19-32	039164	B15-34	039297	B15-103, B15-106, B15-115, B15-119
038222	B19-11	039043	B19-31, B19-32	039165	B15-34	039355	B15-112
038223	B19-11	039044	B19-31, B19-32	039166	B15-34	039356	B15-112
038224	B19-11	039073	B19-31, B19-32	039167	B15-34	039357	B15-112
038225	B19-11	039084	B19-31, B19-32	039168	B15-34	039358	B15-112
038226	B19-11	039097	B19-31, B19-32	039169	B15-34	039359	B15-112
038227	B19-11	039100	B15-48	039170	B15-34	039360	B15-112
038228	B19-11	039101	B15-48	039171	B15-34	039361	B15-112
038229	B19-11	039102	B15-48	039172	B15-34	039362	B15-112
038910	B19-31, B19-32	039103	B15-48	039173	B15-34	039371	B15-112
038911	B19-31, B19-32	039104	B15-48	039174	B15-34	039372	B15-112
038912	B19-31, B19-32	039105	B15-48	039175	B15-101	039373	B15-112
038913	B19-31, B19-32	039106	B15-48	039177	B15-101	039374	B15-112
038914	B19-31, B19-32	039107	B15-48	039179	B15-101	039375	B15-112
038915	B19-31, B19-32	039108	B15-48	039181	B15-101	039376	B15-112
038916	B19-31, B19-32	039109	B15-49	039183	B15-101	039377	B15-114
038917	B19-31, B19-32	039110	B15-49	039185	B15-101	039378	B15-114
038918	B19-31, B19-32	039111	B15-49	039187	B15-101	039380	B15-114
038919	B19-31, B19-32	039112	B15-49	039189	B15-101	039381	B15-114
038920	B19-31, B19-32	039113	B15-48	039191	B15-101	039382	B15-114
038921	B19-31, B19-32	039114	B15-48	039193	B15-101	039383	B15-114
038922	B19-31, B19-32	039115	B15-48	039195	B15-101	039384	B15-114
038923	B19-31, B19-32	039116	B15-48	039197	B15-101	039385	B15-114
038924	B19-31, B19-32	039117	B15-48	039199	B15-101	039386	B15-114
038925	B19-31, B19-32	039118	B15-48	039201	B15-101		
038926	B19-31, B19-32	039119	B15-49	039203	B15-101		
038927	B19-31, B19-32	039120	B15-49	039205	B15-101		
038928	B19-31, B19-32	039121	B15-49	039207	B15-101		
038929	B19-31, B19-32	039122	B15-49	039209	B15-101		

PART NUMBER INDEX



Part Number	Page	Part Number	Page	Part Number	Page	Part Number	Page
039404	B15-95	039590	B15-32	039702	B15-101	039785	B15-95
039405	B15-95	039591	B15-32	039704	B15-101	039852	B15-27, B15-32, B15-41
039406	B15-95	039592	B15-32	039706	B15-101	039853	B15-27, B15-32, B15-41
039407	B15-95	039593	B15-32	039708	B15-101	039854	B15-27, B15-32, B15-41
039413	B15-95	039594	B15-32	039710	B15-101	039855	B15-27, B15-32, B15-41, B15-95
039414	B15-95	039595	B15-32	039711	B15-101	039856	B15-27, B15-32, B15-41
039415	B15-95	039596	B15-32	039712	B15-101	039857	B15-27, B15-32, B15-41, B15-103, B15-106, B15-113, B15-119
039416	B15-95	039597	B15-33	039713	B15-101	039858	B15-27, B15-32, B15-41
039417	B15-95	039598	B15-33	039714	B15-101	039859	B15-29, B15-32, B15-41, B15-54, B15-95
039419	B15-95	039599	B15-33	039715	B15-101	039860	B15-29, B15-33, B15-41
039420	B15-95	039600	B15-33	039716	B15-101	039861	B15-29, B15-33, B15-41, B15-54
039421	B15-95	039601	B15-33	039717	B15-112	039862	B15-29, B15-33, B15-41
039422	B15-95	039602	B15-33	039719	B15-112	039863	B15-29, B15-33, B15-41, B15-95, B15-103, B15-106, B15-115, B15-119
039423	B15-95	039603	B15-33	039721	B15-112	039864	B15-29, B15-33, B15-41, B15-54, B15-95
039424	B15-95	039604	B15-33	039723	B15-112	039865	B15-29, B15-33, B15-41
039425	B15-95	039605	B15-33	039725	B15-112	039866	B15-29, B15-33, B15-41, B15-54, B15-95
039426	B15-95	039606	B15-28	039727	B15-112	039867	B15-29, B15-33, B15-41
039427	B15-95	039665	B15-32, B15-35	039729	B15-112	040001	B17-57
039508	B15-32, B15-35	039666	B15-32, B15-35	039731	B15-112	040002	B17-57
039509	B15-32, B15-35	039667	B15-32, B15-35	039733	B15-112	040003	B17-57
039515	B15-103, B15-106, B15-113, B15-119	039668	B15-32, B15-35	039735	B15-112	040004	B17-57
039530	B15-27, B15-32, B15-41, B15-54, B15-95	039669	B15-26, B15-35, B15-48, B15-50, B15-52, B15-77	039737	B15-112	040005	B17-57
039538	B15-27, B15-32, B15-41, B15-54, B15-95	039670	B15-32, B15-35	039739	B15-112	040006	B17-57
039544	B15-32, B15-35	039671	B15-32, B15-35	039741	B15-112	040007	B17-57
039545	B15-32, B15-35	039672	B15-32, B15-35	039743	B15-112	040008	B17-57
039553	B15-95	039673	B15-32, B15-35	039745	B15-114		
039568	B15-103, B15-106, B15-113	039674	B15-32, B15-35	039747	B15-114		
039575	B15-32	039675	B15-32, B15-33, B15-35	039749	B15-114		
039576	B15-32	039676	B15-32, B15-33, B15-35	039750	B15-114		
039577	B15-32	039677	B15-33, B15-35	039751	B15-114		
039578	B15-32	039678	B15-33, B15-35	039752	B15-114		
039579	B15-26	039679	B15-33, B15-35	039753	B15-114		
039580	B15-32	039680	B15-33, B15-35	039754	B15-114		
039581	B15-32	039681	B15-28, B15-35	039755	B15-114		
039582	B15-32, B15-95	039682	B15-101	039756	B15-114		
039583	B15-32, B15-95	039684	B15-101	039757	B15-114		
039584	B15-32	039686	B15-101	039758	B15-114		
039585	B15-32	039688	B15-101	039760	B15-95		
039586	B15-32	039690	B15-101	039762	B15-35, B15-95		
039587	B15-32	039692	B15-101	039764	B15-95		
039588	B15-32	039694	B15-101	039766	B15-95		
039589	B15-32	039696	B15-101	039768	B15-95		
		039698	B15-101	039770	B15-95		
		039700	B15-101	039772	B15-95		
				039774	B15-95		
				039776	B15-95		
				039780	B15-95		
				039781	B15-95		
				039782	B15-95		
				039783	B15-95		
				039784	B15-95		

Eccentric Collar Ball Bearing

Setcrew VSC Ball Bearing

Eccentric SXV Collar Ball Bearing

Take-Up Frames

Engineering

Part Number Index

Keyword Index



PART NUMBER INDEX

Part Number	Page	Part Number	Page	Part Number	Page	Part Number	Page
040009	B17-57	040700	B15-27, B15-41, B15-48, B15-50, B15-113, B15-119	040711	B15-29, B15-41, B15-49, B15-51, B15-69, B15-95, B15-103, B15-106, B15-115, B15-119	040919	B15-29, B15-33, B15-41, B15-69
040010	B17-57					040995	B15-31, B15-34, B15-41, B15-69, B15-84, B15-91
040011	B17-57	040701	B15-27, B15-41, B15-48, B15-50, B15-95, B15-113, B15-119	040712	B15-29, B15-41, B15-49, B15-51, B15-69, B15-95, B15-103, B15-106, B15-115, B15-119	041064	B15-101, B15-111, B15-114, B15-124
040012	B17-57					041065	B15-101, B15-111, B15-114, B15-124
040013	B17-57	040702	B15-27, B15-41, B15-48, B15-50, B15-69, B15-95, B15-113, B15-119	040713	B15-29, B15-41, B15-69, B15-95, B15-103, B15-106, B15-115, B15-119	041066	B15-101, B15-111, B15-114, B15-124
040014	B17-57					041067	B15-101, B15-111, B15-114, B15-124
040015	B17-57	040703	B15-27, B15-41, B15-48, B15-50, B15-69, B15-95, B15-113, B15-119	040714	B15-29, B15-41, B15-69, B15-95, B15-103, B15-106, B15-115, B15-119	041068	B15-101, B15-111, B15-114, B15-124
040016	B17-57					041069	B15-101, B15-111
040017	B17-57	040704	B15-27, B15-41, B15-48, B15-50, B15-69, B15-95, B15-113, B15-119	040830	B15-85, B15-93	041070	B15-101, B15-111
040018	B17-57			040838	B15-101, B15-111	041071	B15-101, B15-111, B15-114, B15-124
040019	B17-57	040705	B15-27, B15-41, B15-48, B15-50, B15-69, B15-95, B15-103, B15-106, B15-113, B15-119	040850	B15-125	041072	B15-101, B15-111, B15-114, B15-124
040020	B17-57			040890	B15-27, B15-32, B15-41, B15-69	041082	B15-31, B15-34, B15-41, B15-69
040021	B17-57	040706	B15-27, B15-41, B15-48, B15-49, B15-50, B15-51, B15-69, B15-95, B15-103, B15-106, B15-113, B15-119	040891	B15-27, B15-32, B15-41, B15-69	041161	B15-45, B15-125
040022	B17-57			040892	B15-27, B15-32, B15-41, B15-69	041172	B15-45, B15-125
040023	B17-57	040707	B15-27, B15-41, B15-49, B15-51, B15-69	040893	B15-29, B15-33, B15-41, B15-69	041173	B15-45, B15-125
040024	B17-57			040894	B15-29, B15-33, B15-41, B15-69	041174	B15-45, B15-125
040025	B17-57	040708	B15-29, B15-41, B15-49, B15-51, B15-69, B15-95	040895	B15-29, B15-33, B15-41, B15-69	041175	B15-45, B15-125
040026	B17-57			040896	B15-29, B15-33, B15-41, B15-69	041176	B15-45, B15-125
040027	B17-57	040709	B15-29, B15-41, B15-49, B15-51, B15-69, B15-103, B15-106, B15-115, B15-119	040897	B15-31, B15-34, B15-41, B15-69	041177	B15-45, B15-125
040028	B17-57			040898	B15-31, B15-34, B15-41, B15-69	041178	B15-45, B15-125
040029	B17-57	040710	B15-29, B15-41, B15-49, B15-51, B15-69, B15-95, B15-103, B15-106, B15-113, B15-119	040899	B15-41, B15-69, B15-84, B15-91	041179	B15-45, B15-125
040030	B17-57			040900	B15-31, B15-34, B15-41, B15-69, B15-84, B15-91	041180	B15-45, B15-125
040031	B17-57			040901	B15-31, B15-34, B15-41, B15-69, B15-84, B15-91	041181	B15-45, B15-125
040032	B17-57			040918	B15-27, B15-32, B15-41, B15-69	041182	B15-45, B15-125
040033	B17-57					041183	B15-45, B15-125
040034	B17-57					041184	B15-45, B15-125
040681	B15-29, B15-41, B15-69, B15-95, B15-103, B15-106, B15-115, B15-119					041185	B15-45, B15-125
040682	B15-29, B15-41, B15-69, B15-103, B15-106, B15-115, B15-119					041186	B15-45, B15-125
040683	B15-29, B15-41, B15-69, B15-95, B15-103, B15-106					041213	B15-45, B15-125
040684	B15-29, B15-41, B15-69, B15-103, B15-106					041628	B15-30
040685	B15-29, B15-31, B15-41, B15-69					041646	B15-29, B15-33, B15-41, B15-69
040687	B15-106					041685	B15-41
040689	B15-31					041686	B15-41
040690	B15-29, B15-33, B15-41, B15-69					041687	B15-27, B15-32, B15-41, B15-69
040691	B15-41, B15-69, B15-103, B15-115						

PART NUMBER INDEX



Part Number	Page	Part Number	Page	Part Number	Page	Part Number	Page
041688	B15-27, B15-32, B15-41, B15-69	042022	B15-65	042137	B15-67	042370	B15-65
041860	B15-26	042023	B15-65	042140	B15-67	042371	B15-65
041861	B15-26	042024	B15-65	042143	B15-67	042372	B15-65
041862	B15-26	042025	B15-65	042146	B15-67	042373	B15-65
041863	B15-26	042028	B15-103, B15-106	042149	B15-67	042374	B15-65
041864	B15-26	042029	B15-103, B15-106	042152	B15-67	042375	B15-65
041865	B15-26	042030	B15-65	042155	B15-67	042376	B15-65
041866	B15-26	042031	B15-103, B15-106, B15-115, B15-119	042158	B15-67	042377	B15-65
041867	B15-26	042032	B15-103, B15-106, B15-115, B15-119	042161	B15-67	042378	B15-65
041868	B15-28	042036	B15-31, B15-34, B15-41, B15-69, B15-84, B15-91	042164	B15-67	042379	B15-65
041869	B15-28	042037	B15-84, B15-91	042167	B15-67	042380	B15-27, B15-32, B15-41, B15-54, B15-69
041870	B15-28	042038	B15-84, B15-91	042193	B15-27, B15-32, B15-41, B15-50, B15-52, B15-113, B15-119	042381	B15-27, B15-32, B15-41, B15-69
041871	B15-28	042039	B15-84, B15-91	042199	B15-27, B15-32, B15-41, B15-50, B15-52, B15-95, B15-113, B15-119	042382	B15-27, B15-32, B15-41, B15-54, B15-69
041872	B15-28	042040	B15-84, B15-91	042220	B15-103, B15-106	042383	B15-29, B15-32, B15-41, B15-54, B15-69
041873	B15-28	042049	B15-103, B15-106, B15-115, B15-119	042221	B15-103, B15-106	042384	B15-29, B15-33, B15-41, B15-54, B15-69
041874	B15-28	042085	B15-103, B15-106, B15-115, B15-119	042248	B15-103, B15-106, B15-115, B15-119	042385	B15-29, B15-33, B15-41, B15-54, B15-69
041875	B15-28	042088	B15-103, B15-106, B15-113, B15-119	042249	B15-103, B15-106, B15-115, B15-119	042386	B15-29, B15-33, B15-41, B15-69
041876	B15-28	042089	B15-103, B15-106, B15-113, B15-119	042270	B15-65	042387	B15-29, B15-33, B15-41, B15-54, B15-69
041877	B15-28	042090	B15-85, B15-91	042271	B15-65	042388	B15-29, B15-41, B15-69
041878	B15-28	042091	B15-85, B15-91	042272	B15-65	042389	B15-29, B15-33, B15-41, B15-54, B15-69
041879	B15-28	042092	B15-85, B15-91	042273	B15-65	042390	B15-29, B15-33, B15-41, B15-69
041880	B15-28	042093	B15-85, B15-91	042274	B15-65	042391	B15-29, B15-33, B15-41, B15-69
041881	B15-28	042094	B15-85, B15-91	042282	B15-65	042392	B15-29, B15-33, B15-41, B15-54, B15-69
041882	B15-28	042095	B15-85, B15-91	042283	B15-65	042393	B15-29, B15-33, B15-41, B15-69
041883	B15-28	042098	B15-103, B15-106, B15-115, B15-119	042284	B15-65	042394	B15-31, B15-34, B15-41, B15-69
041884	B15-28	042100	B15-67	042303	B15-65		
041885	B15-28	042103	B15-67	042304	B15-65		
041886	B15-28	042106	B15-67	042305	B15-65		
041887	B15-30	042109	B15-67	042306	B15-65		
041987	B15-45, B15-125	042111	B15-67	042307	B15-65		
042001	B15-64	042114	B15-67	042308	B15-65		
042002	B15-64	042116	B15-67	042309	B15-65		
042003	B15-64	042119	B15-67	042315	B15-45, B15-125		
042004	B15-64	042121	B15-67	042316	B15-45, B15-52, B15-125		
042005	B15-64	042124	B15-67	042335	B15-45, B15-125		
042006	B15-64	042126	B15-67	042368	B15-31, B15-41, B15-69		
042007	B15-64	042129	B15-67	042369	B15-31, B15-41, B15-69		
042008	B15-64	042131	B15-67				
042009	B15-64	042134	B15-67				
042010	B15-64						
042011	B15-64						
042015	B15-65						
042016	B15-65						
042017	B15-65						
042019	B15-65						
042020	B15-65						
042021	B15-65						



PART NUMBER INDEX

Part Number	Page	Part Number	Page	Part Number	Page	Part Number	Page
042395	B15-31, B15-34, B15-41, B15-69	042455	B15-61	042520	B15-27, B15-32, B15-41, B15-51, B15-52, B15-69	042533	B15-29, B15-33, B15-41, B15-54, B15-69, B15-95
042396	B15-31, B15-34, B15-41, B15-69, B15-84, B15-91	042458	B15-30				
042397	B15-41, B15-69	042460	B15-61	042521	B15-29, B15-32, B15-41, B15-51, B15-52, B15-54, B15-69, B15-95	042534	B15-29, B15-33, B15-41, B15-69, B15-95
042400	B15-61	042463	B15-30				
042401	B15-61	042464	B15-30	042522	B15-29, B15-33, B15-41, B15-51, B15-69	042535	B15-29, B15-33, B15-41, B15-69, B15-103, B15-106, B15-115, B15-119
042402	B15-61	042465	B15-61				
042403	B15-61	042468	B15-61	042523	B15-29, B15-33, B15-41, B15-51, B15-52, B15-54, B15-69	042536	B15-29, B15-33, B15-41, B15-69
042404	B15-61	042469	B15-61				
042405	B15-61	042472	B15-61				
042406	B15-26	042477	B15-61	042524	B15-29, B15-33, B15-41, B15-51, B15-69	042537	B15-29, B15-33, B15-41, B15-54, B15-69, B15-95
042407	B15-61	042510	B15-31, B15-34, B15-41, B15-69, B15-84, B15-91				
042408	B15-61			042525	B15-29, B15-33, B15-41, B15-51, B15-69, B15-95, B15-103, B15-106, B15-115, B15-119	042538	B15-29, B15-33, B15-41, B15-69, B15-95, B15-103, B15-106, B15-115, B15-119
042409	B15-26	042511	B15-31, B15-34, B15-41, B15-69				
042410	B15-61	042512	B15-27, B15-32, B15-41, B15-50, B15-52, B15-69, B15-95, B15-113, B15-119	042526	B15-29, B15-33, B15-41, B15-51, B15-69, B15-95, B15-103, B15-106, B15-115, B15-119	042539	B15-29, B15-33, B15-41, B15-69
042411	B15-61						
042412	B15-61	042513	B15-27, B15-32, B15-41, B15-50, B15-52, B15-69, B15-95	042527	B15-29, B15-33, B15-41, B15-51, B15-69, B15-103, B15-106, B15-115, B15-119	042540	B15-29, B15-33, B15-41, B15-69
042413	B15-61						
042414	B15-61	042514	B15-27, B15-32, B15-41, B15-50, B15-52, B15-69, B15-95	042528	B15-29, B15-33, B15-41, B15-51, B15-54, B15-69, B15-95, B15-103, B15-106, B15-115, B15-119	042541	B15-31, B15-34, B15-41, B15-69
042415	B15-61						
042416	B15-61	042515	B15-27, B15-32, B15-41, B15-50, B15-69, B15-95	042529	B15-29, B15-33, B15-41, B15-51, B15-69	042542	B15-31, B15-34, B15-41, B15-69
042417	B15-61						
042420	B15-61	042516	B15-27, B15-32, B15-41, B15-50, B15-52, B15-69, B15-95	042530	B15-29, B15-33, B15-41, B15-69, B15-95	042543	B15-31, B15-34, B15-41, B15-69
042421	B15-61						
042422	B15-26	042517	B15-27, B15-32, B15-41, B15-50, B15-69	042531	B15-29, B15-33, B15-41, B15-69, B15-95	042544	B15-31, B15-34, B15-41, B15-69, B15-84, B15-91
042423	B15-26						
042424	B15-61	042518	B15-27, B15-32, B15-41, B15-50, B15-52, B15-54, B15-69, B15-95	042532	B15-29, B15-33, B15-41, B15-69, B15-95	042545	B15-31, B15-34, B15-41, B15-69, B15-84, B15-91
042425	B15-61						
042428	B15-61	042519	B15-27, B15-32, B15-41, B15-51, B15-69, B15-103, B15-106, B15-113, B15-119				
042430	B15-61						
042431	B15-28						
042432	B15-61						
042433	B15-61						
042436	B15-61						
042438	B15-28						
042439	B15-61						
042440	B15-61						
042443	B15-61						
042445	B15-28						
042446	B15-61						
042447	B15-30						
042448	B15-30						
042449	B15-30						
042450	B15-61						
042453	B15-30						
042454	B15-30						
						042547	B15-113
						042562	B15-33
						042568	B15-61
						042569	B15-61
						042570	B15-61
						042571	B15-61
						042572	B15-61
						042573	B15-61
						042574	B15-61
						042575	B15-61
						042576	B15-61
						042577	B15-61

PART NUMBER INDEX



Part Number	Page	Part Number	Page	Part Number	Page	Part Number	Page
042578	B15-61	043521	B15-77, B15-80	043552	B15-29, B15-33, B15-41, B15-49, B15-69	043565	B15-29, B15-33, B15-41, B15-69, B15-95, B15-103, B15-106, B15-115, B15-119
042579	B15-61	043522	B15-80				
042580	B15-61	043538	B15-31, B15-34, B15-41, B15-69, B15-84, B15-91	043553	B15-29, B15-33, B15-41, B15-49, B15-69, B15-95, B15-103, B15-106, B15-115, B15-119	043566	B15-29, B15-33, B15-41, B15-69
042581	B15-61					043567	B15-29, B15-33, B15-41, B15-69
042594	B15-34, B15-69	043540	B15-27, B15-32, B15-41, B15-48, B15-69, B15-95, B15-113, B15-119	043554	B15-29, B15-33, B15-41, B15-49, B15-54, B15-69, B15-95	043568	B15-31, B15-34, B15-41, B15-69
042627	B10-61					043569	B15-31, B15-34, B15-41, B15-69
042628	B10-61, B10-67	043541	B15-27, B15-32, B15-41, B15-48, B15-69, B15-95	043555	B15-29, B15-33, B15-41, B15-49, B15-69, B15-103, B15-106, B15-115, B15-119	043570	B15-31, B15-34, B15-41, B15-69
042629	B10-61					043571	B15-31, B15-34, B15-41, B15-69, B15-84, B15-91
042630	B10-61, B10-67	043542	B15-27, B15-32, B15-41, B15-48, B15-54, B15-69, B15-95	043556	B15-29, B15-33, B15-41, B15-49, B15-54, B15-69, B15-95, B15-103, B15-106, B15-115, B15-119	043572	B15-31, B15-34, B15-41, B15-69, B15-84, B15-91
042631	B10-61					043573	B15-31, B15-34, B15-41, B15-69
042632	B10-61	043543	B15-27, B15-32, B15-41, B15-48, B15-69	043557	B15-29, B15-33, B15-41, B15-49, B15-69	043574	B15-29, B15-33, B15-41, B15-69
042633	B10-61					043575	B15-31, B15-34, B15-41, B15-69
042634	B10-61, B10-67	043544	B15-27, B15-32, B15-41, B15-48, B15-69, B15-95	043558	B15-29, B15-33, B15-41, B15-69, B15-95	043578	B15-27, B15-32, B15-41, B15-48, B15-113, B15-119
043015	B15-26					043579	B15-27, B15-32, B15-41, B15-48, B15-95, B15-113, B15-119
043048	B15-26	043545	B15-27, B15-32, B15-41, B15-48, B15-69	043559	B15-29, B15-33, B15-41, B15-69, B15-95	043580	B15-31, B15-44, B15-71
043109	B15-29, B15-33, B15-41, B15-69					043581	B15-84, B15-93
043248	B15-26	043546	B15-27, B15-32, B15-41, B15-48, B15-54, B15-69, B15-95	043560	B15-29, B15-33, B15-41, B15-54, B15-69, B15-95	043582	B15-84, B15-93
043249	B15-26					043583	B15-84, B15-93
043386	B15-29, B15-33, B15-41, B15-69	043547	B15-27, B15-32, B15-41, B15-49, B15-69, B15-103, B15-106, B15-119	043561	B15-29, B15-33, B15-41, B15-69, B15-95	043584	B15-84, B15-93
043393	B15-77, B15-81					043585	B15-31, B15-44, B15-71
043400	B15-77, B15-81	043548	B15-27, B15-32, B15-41, B15-49, B15-69	043562	B15-29, B15-41, B15-69, B15-103, B15-106, B15-115, B15-119	043586	B15-31, B15-44, B15-71
043401	B15-77					043618	B15-29, B15-33, B15-44, B15-71
043402	B15-77, B15-81	043549	B15-29, B15-32, B15-41, B15-49, B15-54, B15-69, B15-95	043563	B15-29, B15-33, B15-41, B15-69	043619	B15-29, B15-33, B15-44, B15-71
043403	B15-77, B15-81						
043404	B15-77, B15-81						
043405	B15-77, B15-81						
043406	B15-77, B15-81						
043407	B15-77, B15-81						
043408	B15-77, B15-81						
043410	B15-77, B15-81						
043411	B15-77, B15-81						
043412	B15-77, B15-81						
043421	B15-77						
043501	B15-77, B15-80						
043502	B15-77, B15-80						
043504	B15-77, B15-80						
043506	B15-77, B15-80						
043508	B15-77, B15-80						
043509	B15-77, B15-80						
043511	B15-77, B15-80						
043512	B15-77, B15-80						
043513	B15-77, B15-80						
043514	B15-77, B15-80						
043516	B15-77, B15-80						
043519	B15-77, B15-80						
043520	B15-77, B15-80						

PART NUMBER INDEX

Part Number	Page	Part Number	Page	Part Number	Page	Part Number	Page
043620	B15-29, B15-33, B15-44, B15-54, B15-71	043968	B15-77	044031	B15-28, B15-35, B15-49, B15-51, B15-77	045600	B2-42
043621	B15-29, B15-33, B15-44, B15-71	043969	B15-77			045601	B2-42
043622	B15-29, B15-33, B15-44, B15-71	043970	B15-77			045602	B2-42
043623	B15-29, B15-33, B15-44, B15-71	043971	B15-77	044034	B15-28, B15-35, B15-49, B15-51, B15-77	045603	B2-42
043624	B15-29, B15-33, B15-44, B15-54, B15-71	043972	B15-77			045604	B2-42
043625	B15-29, B15-33, B15-44, B15-71	043974	B15-77	044040	B15-28, B15-35, B15-77	045605	B2-42
043626	B15-29, B15-33, B15-44, B15-71	043976	B15-77			045606	B2-42
043627	B15-29, B15-33, B15-44, B15-71	043977	B15-77	044043	B15-28, B15-35, B15-77	045677	B2-42
043628	B15-31, B15-44, B15-71	043978	B15-77			045778	B15-84, B15-91
043629	B15-31, B15-44, B15-71	043995	B15-26, B15-35, B15-48, B15-50, B15-52	044046	B15-28, B15-35	045781	B15-84, B15-91
043630	B15-31, B15-44, B15-71	043996	B15-26, B15-35, B15-48, B15-50, B15-52	044049	B15-28, B15-35	045784	B15-84, B15-91
043631	B15-31, B15-44, B15-71	043997	B15-26, B15-35, B15-48, B15-50, B15-52	044054	B15-28, B15-35	045787	B15-84, B15-91
043632	B15-31, B15-44, B15-71	043998	B15-26, B15-48, B15-50, B15-52, B15-77	044055	B15-28, B15-30, B15-35	045790	B15-84, B15-91
043633	B15-31, B15-44, B15-71	044000	B15-26, B15-35, B15-48, B15-50, B15-52, B15-77	044114	B15-26, B15-35, B15-49, B15-51, B15-52, B15-77	045793	B15-85, B15-91
043634	B15-29, B15-33, B15-44, B15-71	044003	B15-26, B15-35, B15-48, B15-50, B15-52, B15-77	044115	B15-26	045796	B15-85, B15-91
043635	B15-85, B15-93	044007	B15-26, B15-35, B15-48, B15-50, B15-52, B15-77	044164	B15-85	045799	B15-85, B15-91
043636	B15-85, B15-93	044010	B15-26, B15-35, B15-48, B15-50, B15-51, B15-52, B15-77	044165	B15-85	045802	B15-85, B15-91
043637	B15-85, B15-93	044013	B15-26, B15-35, B15-48, B15-49, B15-50, B15-51, B15-52	044166	B15-85	045805	B15-85, B15-91
043638	B15-85, B15-93	044015	B15-26	044198	B15-26, B15-35, B15-48, B15-50, B15-52, B15-77	045808	B15-85, B15-91
043639	B15-85, B15-93	044020	B15-28, B15-35, B15-49, B15-51, B15-52, B15-77	044199	B15-26, B15-35, B15-49, B15-51, B15-52, B15-77	045874	B4-90, B4-94
043640	B15-85, B15-93	044023	B15-28, B15-35, B15-49, B15-51, B15-52, B15-77	044200	B15-30, B15-35	045927	B15-103, B15-106, B15-113, B15-119
043958	B15-77	044025	B15-28, B15-35, B15-49, B15-51, B15-52, B15-77	044201	B15-30, B15-35	045928	B15-103, B15-106, B15-113, B15-119
043959	B15-77			044202	B15-28, B15-35, B15-49, B15-51, B15-77	045931	B15-103, B15-106, B15-113, B15-119
043960	B15-77			044203	B15-28, B15-35	045934	B15-103, B15-106
043961	B15-77			044231	B15-61	045936	B15-103, B15-106
043962	B15-77			044232	B15-61	045939	B15-103, B15-106, B15-115, B15-119
043963	B15-77			044233	B15-61	045943	B15-103, B15-106, B15-115, B15-119
043964	B15-77			044234	B15-61	045949	B15-103, B15-106, B15-115, B15-119
043965	B15-77			044235	B15-61	045951	B15-103, B15-106, B15-115, B15-119
043966	B15-77			044236	B15-61	045953	B15-103, B15-106, B15-115, B15-119
043967	B15-77			044360	B15-29, B15-33, B15-41, B15-69	045955	B15-103, B15-106
				044440	B15-84, B15-91	045956	B15-103, B15-106
				045338	B2-42	046110	B15-77
				045412	B2-42	046166	B15-113, B15-119
				045431	B15-84, B15-93	046167	B15-113, B15-119
				045434	B15-85, B15-93	046168	B15-113, B15-119
				045464	B15-84, B15-93	046175	B15-113, B15-119
						046176	B15-113, B15-119
						046177	B15-113, B15-119
						046219	B16-34, B16-35

PART NUMBER INDEX



Part Number	Page	Part Number	Page	Part Number	Page	Part Number	Page
046221	B16-34, B16-35	046318	B16-31	046361	B15-29, B15-32, B15-44, B15-49,	046419	B15-103, B15-106, B15-115, B15-119
046222	B16-34, B16-35	046323	B15-67		B15-51, B15-52,	046420	B15-103, B15-106, B15-115, B15-119
046223	B16-34, B16-35	046324	B15-67		B15-54, B15-71		
046224	B16-34, B16-35	046325	B15-67	046362	B15-29, B15-33, B15-44, B15-49,	046421	B15-29, B15-33, B15-41, B15-69
046225	B16-34, B16-35	046326	B15-67		B15-51, B15-71	046422	B15-103, B15-106
046226	B16-34, B16-35	046331	B16-34, B16-35	046363	B15-29, B15-33, B15-44, B15-49,	046423	B15-103, B15-106
046227	B16-34, B16-35	046332	B16-34, B16-35		B15-51, B15-52,	046424	B15-103, B15-106
046228	B16-34	046333	B16-34, B16-35		B15-54, B15-71	046425	B15-103, B15-106
046229	B16-34	046350	B15-27, B15-32, B15-44, B15-48,	046364	B15-29, B15-33, B15-44, B15-49,	046430	B15-29, B15-33, B15-44, B15-49, B15-51, B15-71
046230	B16-34		B15-50, B15-52		B15-51, B15-71	046431	B15-29, B15-33, B15-44, B15-49, B15-51, B15-54, B15-71
046231	B16-34	046351	B15-27, B15-32, B15-44, B15-48,	046400	B15-103, B15-106, B15-113, B15-119	046432	B15-29, B15-33, B15-44, B15-49, B15-51, B15-71
046232	B16-34		B15-50, B15-52	046401	B15-103, B15-106, B15-113, B15-119	046433	B15-29, B15-33, B15-44, B15-49, B15-51, B15-54, B15-71
046233	B16-45, B16-49	046352	B15-27, B15-32, B15-44, B15-48,	046402	B15-103, B15-106, B15-113, B15-119	046434	B15-29, B15-33, B15-44, B15-49, B15-51, B15-71
046234	B16-45, B16-49		B15-50, B15-52	046403	B15-103, B15-106, B15-113, B15-119	046463	B15-113, B15-119
046235	B16-45, B16-49	046353	B15-27, B15-32, B15-44, B15-48,	046404	B15-103, B15-106, B15-113, B15-119	046464	B15-113, B15-119
046236	B16-45, B16-49		B15-50, B15-52,	046405	B15-103, B15-106	046465	B15-113, B15-119
046237	B16-45, B16-49	046354	B15-27, B15-32, B15-44, B15-48,	046406	B15-103, B15-106	046466	B15-113, B15-119
046238	B16-37		B15-50, B15-52,	046407	B15-103, B15-106, B15-115, B15-119	046467	B15-113, B15-119
046239	B16-37	046355	B15-27, B15-32, B15-44, B15-48,	046408	B15-103, B15-106, B15-115, B15-119	046468	B15-113, B15-119
046285	B16-31, B16-37		B15-50, B15-52,	046409	B15-103, B15-106, B15-115, B15-119	046469	B15-113, B15-119
046286	B16-31, B16-37	046356	B15-27, B15-32, B15-44, B15-48,	046410	B15-103, B15-106, B15-115, B15-119	046470	B15-113, B15-119
046287	B16-31, B16-37		B15-50, B15-71	046411	B15-103, B15-106, B15-115, B15-119	046471	B15-113, B15-119
046288	B16-31, B16-37	046357	B15-27, B15-32, B15-44, B15-48,	046412	B15-103, B15-106, B15-115, B15-119	046472	B15-113, B15-119
046289	B16-31, B16-37		B15-50, B15-71	046413	B15-103, B15-106, B15-115, B15-119	046473	B15-113, B15-119
046290	B16-31, B16-37	046358	B15-27, B15-32, B15-44, B15-48,	046414	B15-103, B15-106, B15-115, B15-119	046474	B15-113, B15-119
046291	B16-31, B16-37		B15-50, B15-52,	046415	B15-103, B15-106, B15-115, B15-119	046475	B15-113, B15-119
046292	B16-31	046359	B15-27, B15-32, B15-44, B15-49,	046416	B15-103, B15-106, B15-115, B15-119	046476	B15-113, B15-119
046293	B16-31, B16-37		B15-51, B15-71	046417	B15-103, B15-106	046477	B15-113, B15-119
046294	B16-31	046360	B15-27, B15-32, B15-44, B15-49,	046418	B15-103, B15-106	046478	B15-113, B15-119
046295	B16-31		B15-50, B15-52,			046487	B16-31, B16-37
046296	B16-31		B15-71			046488	B16-31, B16-37
046297	B16-31					046489	B16-31, B16-37
046298	B16-31					046490	B16-31
046299	B16-31					046492	B16-37
046304	B16-31, B16-37						
046305	B16-31, B16-37						
046306	B16-31, B16-37						
046307	B16-31, B16-37						
046308	B16-31, B16-37						
046309	B16-31, B16-37						
046310	B16-31, B16-37						
046311	B16-31						
046312	B16-31, B16-37						
046313	B16-31						
046314	B16-31						
046315	B16-31						
046316	B16-31						
046317	B16-31						

Eccentric Collar Ball Bearing

Setscrew VSC Ball Bearing

Eccentric SXV Collar Ball Bearing

Take-Up Frames

Engineering

Part Number Index

Keyword Index



PART NUMBER INDEX

Part Number	Page	Part Number	Page	Part Number	Page	Part Number	Page
046496	B16-37	046721	B16-35	046960	B15-47	047646	B15-84, B15-93
046498	B15-85, B15-91	046722	B16-35	046961	B15-47	047647	B15-84, B15-93
046499	B15-85, B15-91	046723	B16-35	046962	B15-47	047648	B15-84, B15-93
046545	B15-29, B15-33, B15-44, B15-71	046751	B15-123	046963	B15-47	047649	B15-84, B15-93
046550	B15-99	046752	B15-123	046964	B15-47	047678	B15-84, B15-93
046551	B15-95, B15-99	046753	B15-123	046965	B15-47	047679	B15-84, B15-93
046552	B15-95, B15-99	046754	B15-123	046966	B15-47	047680	B15-84, B15-93
046553	B15-95, B15-99	046755	B15-123	046967	B15-47	047681	B15-85, B15-93
046554	B15-95, B15-99	046756	B15-109, B15-123	046968	B15-47	047682	B15-85, B15-93
046555	B15-95, B15-99	046757	B15-109, B15-123	046969	B15-47	047815	B15-47
046556	B15-99	046758	B15-109, B15-123	046970	B15-47	047816	B15-47
046557	B15-91, B15-95, B15-99	046759	B15-109	046971	B15-47	047817	B15-47
046558	B15-95, B15-99	046760	B15-109, B15-123	046972	B15-47	047818	B15-47
046559	B15-95, B15-99	046761	B15-109, B15-123	046973	B15-47	047819	B15-47
046560	B15-95, B15-99	046762	B15-109, B15-123	046974	B15-47	047820	B15-47
046561	B15-95, B15-99	046763	B15-109, B15-123	046975	B15-47	047821	B15-47
046562	B15-95, B15-99	046764	B15-109, B15-123	046976	B15-47	047822	B15-47
046563	B15-95, B15-99	046765	B15-109, B15-123	046977	B15-47	047823	B15-47
046564	B15-95, B15-99	046766	B15-109, B15-123	046978	B15-47	047824	B15-47
046565	B15-95, B15-99	046767	B15-109, B15-123	046979	B15-47	047825	B15-47
046566	B15-85, B15-91	046768	B15-109	046980	B15-47	047826	B15-47
046567	B15-85, B15-91	046769	B15-109, B15-123	046981	B15-47	047827	B15-47
046568	B15-85, B15-91	046770	B15-109	046982	B15-47	047828	B15-47
046569	B15-85, B15-91	046771	B15-109	046983	B15-47	047829	B15-47
046570	B15-85, B15-91	046772	B15-123	046984	B15-47	047830	B15-47
046572	B15-85, B15-91	046773	B15-123	046985	B15-47	047831	B15-47
046632	B15-45, B15-125	046850	B15-47	046986	B15-47	047940	B15-31, B15-34, B15-41, B15-69, B15-84, B15-91
046633	B15-45, B15-125	046851	B15-47	046987	B15-47	047941	B15-31, B15-34, B15-41, B15-69, B15-84, B15-91
046634	B15-45, B15-125	046872	B15-47	046988	B15-47	047942	B15-84, B15-91
046635	B15-45, B15-125	046873	B15-47	046989	B15-47	047943	B15-84, B15-91
046637	B15-45, B15-125	046874	B15-47	046991	B15-47	047944	B15-84, B15-91
046638	B15-45, B15-125	046875	B15-47	046992	B15-47	047945	B15-84, B15-91
046639	B15-45, B15-125	046876	B15-47	046993	B15-47	047946	B15-84, B15-91
046642	B15-45, B15-125	046877	B15-47	047628	B15-84, B15-93	047947	B15-85, B15-91
046643	B15-45, B15-125	046878	B15-47	047629	B15-84, B15-93	047948	B15-85, B15-91
046680	B15-95, B15-99	046879	B15-47	047630	B15-84, B15-93	047949	B15-85, B15-91
046682	B15-95, B15-99	046880	B15-47	047631	B15-84, B15-93	047950	B15-85, B15-91
046710	B16-39	046881	B15-47	047632	B15-85, B15-93	047951	B15-85, B15-91
046711	B16-39	046882	B15-47	047633	B15-85, B15-93	047952	B15-85, B15-91
046712	B16-39	046883	B15-47	047634	B15-85, B15-93	047953	B15-85, B15-91
046713	B16-39	046884	B15-47	047635	B15-85, B15-93	047954	B15-85, B15-91
046714	B16-39	046885	B15-47	047636	B15-85, B15-93	047955	B15-85, B15-91
046715	B16-39	046886	B15-47	047637	B15-84, B15-93	047956	B15-85, B15-91
046717	B16-39	046887	B15-47	047638	B15-84, B15-93	047957	B15-85, B15-91
046718	B16-39	046888	B15-47	047639	B15-84, B15-93		
046719	B16-35, B16-39	046889	B15-47	047641	B15-85, B15-93		
046720	B16-35, B16-39	046891	B15-47	047642	B15-85, B15-93		
		046892	B15-47	047643	B15-85, B15-93		
		046893	B15-47	047644	B15-85, B15-93		
		046894	B15-47	047645	B15-85, B15-93		

PART NUMBER INDEX



Part Number	Page	Part Number	Page	Part Number	Page	Part Number	Page
048000	B13-13	048048	B13-15	048222	B13-20	049802	B7-22
048001	B13-13	048049	B13-15	048224	B13-20	049803	B7-22
048002	B13-13	048050	B13-15	048385	B14-103	049811	B4-101
048003	B13-13	048051	B13-15	048386	B14-103	049813	B6-51
048004	B13-13	048052	B13-15	048389	B14-103	049816	B4-28
048005	B13-13	048053	B13-15	048390	B14-103	049818	B4-28
048006	B13-13	048054	B13-15	048925	B14-105, B16-21	049829	B4-74
048007	B13-13	048055	B13-15	048926	B14-105	049835	B2-56
048008	B13-13	048056	B13-15	048927	B14-105, B16-21	049838	B6-38
048009	B13-13	048057	B13-15	048928	B14-105	049841	B7-14
048010	B13-13	048058	B13-15	048929	B14-105, B16-21	049843	B7-14
048011	B13-13	048059	B13-15	048930	B14-105, B16-21	049844	B7-14
048012	B13-13	048060	B13-15	048931	B14-105, B16-21	049845	B7-34
048013	B13-13	048061	B13-15	048932	B14-105, B16-21	049848	B7-14
048014	B13-13	048062	B13-15	048933	B14-105, B16-21	049852	B4-12
048015	B13-13	048063	B13-15	048934	B14-105, B16-21	049855	B6-51
048016	B13-13	048064	B13-15	048937	B16-21	049859	B4-32
048017	B13-13	048065	B13-15	048938	B16-21	049879	B7-24
048018	B13-13	048066	B13-15	048939	B16-21	049884	B7-30
048019	B13-13	048067	B13-15	048940	B16-21	049887	B8-8
048020	B13-13	048109	B13-19	049235	B10-67	049891	B4-101
048021	B13-13	048110	B13-19	049380	B2-56	049892	B8-14
048022	B13-13	048111	B13-19	049385	B7-34	049893	B4-101
048023	B13-13	048113	B13-19	049415	B6-50	049894	B4-100
048024	B13-13	048114	B13-19	049430	B6-53	049918	B4-94
048025	B13-13	048115	B13-19	049437	B4-36	049925	B4-92
048026	B13-13	048116	B13-19	049447	B6-31	049926	B4-40
048027	B13-13	048124	B13-19	049462	B4-99	049930	B6-32
048028	B13-13	048125	B13-19	049466	B6-31	049944	B4-30
048029	B13-13	048126	B13-19	049467	B6-42	049945	B4-94
048030	B13-13	048128	B13-19	049468	B8-14	049950	B7-30
048031	B13-13	048129	B13-19	049469	B2-28	049991	B4-100
048032	B13-13	048130	B13-19	049470	B7-30	049996	B2-26
048033	B13-13	048131	B13-19	049477	B2-36	050119	B4-34
048034	B13-15	048202	B13-20	049490	B16-37	050130	B4-58
048035	B13-15	048203	B13-20	049496	B6-46	050132	B4-62
048036	B13-15	048204	B13-20	049610	B6-38	050146	B4-44
048037	B13-15	048205	B13-20	049615	B4-50	050189	B4-99
048038	B13-15	048206	B13-20	049686	B2-31	050386	B4-32
048039	B13-15	048207	B13-20	049690	B4-16	050420	B9-22
048040	B13-15	048208	B13-20	049696	B6-48	050474	B15-85, B15-91
048041	B13-15	048210	B13-20	049709	B6-32	050498	B4-44
048042	B13-15	048216	B13-20	049742	B4-38	050524	B2-42
048043	B13-15	048217	B13-20	049747	B6-46	050531	B15-85, B15-93
048044	B13-15	048218	B13-20	049751	B9-18	050555	B4-101
048045	B13-15	048219	B13-20	049781	B6-52	050580	B2-42
048046	B13-15	048220	B13-20	049784	B8-10	050653	B2-42
048047	B13-15	048221	B13-20	049787	B7-22	050654	B2-42



PART NUMBER INDEX

Part Number	Page	Part Number	Page	Part Number	Page	Part Number	Page
050656	B2-42	052003	B4-60	052622	B2-42	053413	B7-22
050662	B4-59, B4-62	052004	B4-56, B4-60	052623	B2-42	053414	B7-22
050778	B8-14	052005	B4-26	052626	B6-42	053415	B7-22
050792	B4-16	052006	B4-56	052637	B15-52, B16-35	053416	B7-22
050828	B8-12	052007	B4-56	052638	B15-52, B16-35	053417	B7-22
050829	B8-12	052008	B4-56	052639	B15-52, B16-35	053418	B7-22
050830	B8-12	052009	B4-54	052640	B15-52, B16-35	053493	B6-42
050831	B8-12	052010	B4-54	052641	B15-52, B16-35	053517	B6-46
050833	B8-12	052011	B4-36	052642	B15-52, B16-35	053563	B4-100
050834	B4-54	052012	B4-12	052643	B15-52, B16-35	053565	B4-90
050835	B4-54	052015	B4-99	052644	B15-52, B16-35	053617	B7-24
050836	B8-16	052016	B4-50	052645	B4-88	053628	B10-67
050837	B4-12	052017	B4-60	052668	B6-31	053662	B8-10
050838	B8-10	052032	B4-88	052722	B6-46	053670	B4-99
050839	B7-24	052045	B7-34	052729	B7-24	053717	B4-16
050840	B8-14	052047	B4-100	052762	B7-14	053718	B4-16
050842	B8-14	052048	B4-100	052763	B7-14	053719	B4-28
050843	B4-56	052081	B15-85, B15-92	052792	B4-14	053763	B9-22
050844	B8-16	052093	B2-43, B6-54	052794	B4-14	053776	B4-88, B4-94
050845	B8-8	052094	B4-50	052906	B4-50	053784	B6-40
050846	B4-74	052101	B4-12	052931	B6-26	053871	B4-101
050848	B8-12	052194	B4-70	052932	B9-14	053883	B4-36
050867	B4-56	052199	B4-70	052939	B4-72	053894	B4-101
050895	B4-52	052205	B4-60	052959	B7-30	053895	B4-101
050951	B7-24	052220	B4-34	052981	B2-42	053901	B4-62
051513	B4-99	052224	B4-24	052984	B6-26	053955	B4-100
051606	B7-34	052275	B4-26	053007	B9-18	053986	B2-43, B6-54
051699	B8-14	052276	B4-100	053008	B9-6	054009	B4-18
051774	B4-50	052291	B4-56	053011	B6-22	054019	B4-90
051825	B4-100	052294	B4-99	053021	B4-24	054063	B4-101
051826	B4-99	052302	B4-60	053025	B4-24	054065	B4-100
051827	B4-99	052311	B4-99	053042	B9-6	054142	B6-26
051841	B15-52, B16-35	052413	B4-18	053045	B6-53	054145	B2-42
051878	B4-20	052414	B4-18	053047	B9-6	054190	B4-99
051879	B4-20	052472	B4-32	053067	B10-67	054196	B4-90
051880	B4-20	052478	B4-100	053088	B16-41	054203	B4-99, B4-100
051885	B7-22	052531	B4-99	053140	B6-31	054225	B4-90
051888	B8-14	052532	B4-100	053169	B4-99	054276	B4-99
051889	B8-10	052535	B6-31	053170	B4-12, B4-20	054300	B4-99
051890	B8-10	052540	B4-99	053175	B4-36	054314	B4-99
051891	B8-16	052546	B6-46	053183	B4-24	054315	B4-100
051892	B8-16	052550	B4-100	053201	B16-35	054316	B4-100
051906	B4-99	052567	B7-30	053219	B7-22	054342	B4-99
051931	B4-58	052570	B15-52, B16-35	053320	B4-84	054390	B6-48
051987	B4-54	052604	B4-99	053326	B7-24	054411	B6-48
051991	B4-56	052618	B4-99	053339	B7-22	054412	B4-100
051992	B4-56	052620	B2-42	053411	B7-22	054419	B4-99
052002	B4-60	052621	B2-42	053412	B7-22	054431	B4-90

PART NUMBER INDEX



Part Number	Page	Part Number	Page	Part Number	Page	Part Number	Page
054436	B4-32	056110	B10-51	056796	B2-26	057368	B4-100
054455	B6-16	056112	B10-51	056797	B2-26	057414	B4-24
054495	B8-8	056114	B10-51	056800	B2-26	057442	B2-48
054534	B4-99	056130	B10-51	056801	B2-31	057474	B4-99
054548	B4-32	056132	B10-51	056802	B2-31	057475	B6-40
054556	B4-100	056134	B10-51	056803	B2-31	057487	B4-100
054580	B4-101	056136	B10-51	056804	B2-31	057524	B2-56
054593	B4-100	056138	B10-51	056805	B2-31	057543	B6-42
054726	B4-58	056140	B10-51	056806	B2-36	057594	B2-56
054727	B4-22	056142	B10-51	056807	B2-36	057603	B4-20
054781	B4-32	056144	B10-51	056808	B2-36	057658	B6-42
054782	B4-99	056440	B2-64	056809	B2-36	057683	B4-101
054831	B4-101	056449	B2-56	056810	B2-36	057687	B2-56
054837	B4-101	056468	B6-53	056811	B4-28	057692	B7-22
054843	B4-99	056481	B4-24	056830	B9-10	057707	B4-39
054917	B4-100	056483	B4-24	056845	B4-40	057708	B4-100
054918	B4-100	056492	B4-68	056855	B4-14	057709	B4-62
054934	B4-100	056497	B2-46	056862	B7-24	057770	B6-46
054949	B4-88	056512	B6-34	056864	B4-99	057800	B4-100
054950	B7-12	056525	B2-26	056867	B6-28	057801	B4-100
054960	B10-67	056526	B2-56	056889	B6-31	057802	B4-90
055572	B15-54	056548	B2-26	056890	B6-32	057839	B4-101
055654	B15-54	056552	B2-31	056893	B2-56	057847	B4-99
055710	B15-54	056553	B2-26	056902	B4-38	057854	B8-14
055712	B15-54	056565	B2-26	056907	B4-60	057878	B4-84
055714	B15-54	056577	B2-51	056911	B4-101	057898	B2-46
055716	B15-54	056578	B4-101	056912	B4-94	057899	B2-64
055734	B15-54	056580	B2-56	056929	B4-40	057906	B4-101
055740	B15-54	056588	B4-100	056961	B6-26	057907	B2-64
055805	B10-67	056593	B2-36	056962	B6-26	057908	B2-59
055806	B10-67	056605	B6-46	056964	B2-31	057958	B15-54
055807	B10-67	056606	B4-16	056967	B6-26	057966	B15-54
055840	B10-67	056610	B6-10	056968	B6-34	058081	B6-44
055876	B15-54	056611	B2-31	056970	B6-34	058157	B4-90, B4-94
055881	B15-54	056612	B2-31	056971	B2-31	058183	B4-100
055898	B15-54	056630	B4-100	057102	B2-42	058194	B4-99
055906	B15-54	056633	B2-36	057114	B4-100	058233	B4-101
055907	B15-54	056638	B6-46, B6-48	057132	B4-100	058262	B4-99
055915	B10-67	056676	B6-16	057201	B4-88	058263	B4-99
055931	B10-67, B14-103, B15-54	056696	B6-28	057212	B4-100	058275	B9-6
055940	B14-103, B15-54	056728	B15-131	057220	B4-84	058294	B2-64
055943	B10-67	056734	B2-31	057260	B15-103	058311	B2-59
056100	B10-51	056744	B4-12	057265	B4-101	058336	B2-59
056102	B10-51	056750	B4-18	057266	B6-48	058345	B2-42
056104	B10-51	056765	B4-50	057338	B4-99	058347	B6-48
056106	B10-51	056779	B6-44	057354	B4-88	058380	B4-100
056108	B10-51	056780	B6-32	057361	B4-84	058395	B6-36
		056784	B7-24	057363	B4-100	058400	B4-26



PART NUMBER INDEX

Part Number	Page	Part Number	Page	Part Number	Page	Part Number	Page
058404	B2-56	058975	B2-46	060755	B10-53	062500	B7-20
058470	B2-56	058989	B2-42	060756	B10-53	062509	B8-16
058514	B2-65	058994	B6-42	060905	B15-114	062525	B6-31
058515	B2-57	058996	B7-34	060906	B15-114	062542	B2-36
058516	B2-48	058997	B6-16, B6-18	061082	B11-19	062570	B4-94
058529	B4-50	059593	B6-46	061083	B11-19	062572	B4-99
058544	B4-50	059595	B9-16	061084	B11-19	062575	B6-32
058545	B4-50	059596	B9-16	061085	B11-19	062628	B2-64
058593	B2-56	059614	B4-100	061086	B11-19	062648	B4-40
058594	B2-64	059636	B4-101	061087	B11-19	062676	B4-100
058595	B2-64	059637	B4-30	062040	B11-45	062682	B5-14
058596	B2-46	059667	B7-12	062070	B11-45	062686	B4-40
058597	B2-46	059673	B4-99	062143	B6-14	062691	B4-76
058619	B4-100	059680	B6-26	062152	B6-34	062700	B14-58
058624	B4-26	059696	B4-100	062157	B4-100	062702	B6-48
058625	B6-26	059704	B6-46	062162	B4-14	062738	B6-42
058630	B4-84	059705	B6-34	062176	B6-54	062741	B5-16
058632	B2-51	059722	B2-46	062178	B4-14, B4-26	062742	B5-16
058633	B4-100	059737	B4-99	062182	B4-100	062746	B4-42
058647	B6-46	059754	B6-53	062184	B6-46	062773	B6-46
058648	B2-59	059758	B6-48	062186	B4-26	062779	B4-100
058652	B4-101	059785	B4-16	062187	B6-12	062781	B6-32
058665	B2-42	059798	B2-26	062260	B4-46	062829	B4-99
058699	B15-52	059799	B2-26	062263	B6-36	062835	B2-36
058702	B4-14	059811	B8-14	062270	B14-58	062837	B2-46, B2-56
058705	B4-76	059816	B4-50	062281	B6-42	062842	B4-60
058736	B4-58	059821	B4-99	062285	B6-48	062861	B5-14
058738	B4-101	059823	B2-56	062304	B4-28	062862	B5-14
058778	B9-16	059844	B4-101	062306	B6-46	062874	B2-26
058779	B9-16	059850	B6-26	062307	B7-22	062875	B2-48
058792	B2-56	059857	B6-26	062309	B4-100	062877	B4-99
058852	B4-100	059869	B2-43, B6-54	062317	B2-59	062879	B2-26
058897	B4-70	059870	B2-26	062321	B4-28	062880	B6-50, B6-51
058898	B6-34	059880	B6-42	062337	B9-28	062881	B6-46, B6-48
058902	B15-52	059882	B6-16	062339	B9-28	062893	B9-20
058903	B15-52	059954	B4-100	062340	B2-36	062897	B4-60
058904	B15-52	060578	B10-53	062373	B6-40	062899	B7-30
058905	B15-52	060579	B10-53	062379	B6-26	062901	B2-35
058906	B15-52	060745	B10-53	062407	B6-34	062913	B2-31
058907	B15-52	060746	B10-53	062408	B6-34	062945	B9-18
058908	B15-52	060747	B10-53	062438	B6-26	062958	B5-14
058909	B15-52	060748	B10-53	062439	B9-18	062975	B4-76
058910	B2-64	060749	B10-53	062443	B6-52	062978	B5-12
058915	B4-101	060750	B10-53	062454	B9-22	062993	B5-12
058931	B2-46	060751	B10-53	062461	B14-58	062994	B2-31
058941	B2-56	060752	B10-53	062475	B6-34	063359	B11-55
058944	B2-46	060753	B10-53	062491	B6-34	063360	B11-55
058965	B2-42	060754	B10-53	062497	B9-19	063361	B11-55

PART NUMBER INDEX



Part Number	Page	Part Number	Page	Part Number	Page	Part Number	Page
063362	B11-55	064147	B2-54	064750	B9-18	065297	B11-9
063363	B11-55	064149	B4-90, B4-94	064756	B4-28	065298	B11-11
063366	B11-55	064153	B16-12	064762	B7-30	065299	B11-11
063389	B11-55	064154	B16-12	064775	B4-40	065300	B11-11
063390	B11-55	064155	B16-12	064794	B5-18	065302	B11-11
063392	B11-55	064156	B16-12	064825	B6-12	065303	B11-11
063393	B11-55	064157	B16-12	064839	B2-46	065304	B11-14
063396	B11-55	064178	B7-30	064841	B5-14	065305	B11-14
063411	B11-55	064198	B4-44	064853	B4-59	065306	B11-14
063420	B11-57	064203	B4-56	064865	B4-90	065310	B11-11
063421	B11-57	064211	B5-26	064874	B5-18	065311	B11-9
063422	B11-57	064214	B4-56	064875	B5-18	065312	B11-9
063424	B11-57	064230	B7-12	064880	B4-99	065313	B11-9
063426	B11-57	064237	B4-101	064882	B7-12	065314	B11-9
063429	B11-57	064249	B4-26	064890	B6-46	065315	B11-9
063450	B11-57	064255	B2-31	064910	B7-22	065316	B11-9
063451	B11-57	064289	B7-26	064911	B4-58	065317	B11-9
063452	B11-57	064300	B6-46, B6-48	064912	B4-58	065530	B9-22
063454	B11-57	064306	B2-26	064913	B4-59	065548	B4-26
063456	B11-57	064335	B4-58	064929	B7-28	065551	B6-58
063459	B11-57	064341	B2-31	064943	B4-54	065555	B7-30
063694	B10-67	064361	B4-40	064993	B2-35	065565	B4-40
063765	B14-103	064430	B6-42	064994	B2-24	065569	B6-48
063766	B14-103	064450	B4-16	065238	B11-9	065576	B4-60
063767	B14-103	064463	B5-14	065244	B11-9	065593	B4-72, B4-73
063768	B14-103	064472	B5-26, B5-30	065258	B11-14	065595	B4-36, B4-42
063769	B14-103	064473	B6-28	065260	B11-14	065597	B5-22
063770	B14-103	064480	B4-40	065262	B11-14	065598	B5-18
063771	B14-103	064483	B9-12	065265	B11-14	065600	B2-36
063772	B14-103	064503	B2-54	065268	B11-14	065605	B6-26
063773	B14-103	064535	B6-58	065270	B11-14	065607	B5-40
063774	B14-103	064536	B7-22	065271	B11-14	065616	B7-12
063775	B14-103	064537	B4-28	065274	B11-14	065620	B5-14
063776	B14-103	064557	B4-100	065282	B11-14	065632	B6-26
064000	B2-31	064572	B2-46	065283	B11-14	065634	B7-34
064064	B2-46	064584	B2-62	065284	B11-14	065635	B7-24
064070	B16-12	064586	B4-59, B4-62	065285	B11-14	065636	B9-8
064071	B16-12	064624	B6-32	065286	B11-14	065641	B14-56
064072	B16-12	064637	B4-24	065287	B11-14	065642	B4-70
064073	B16-12	064656	B4-34	065288	B11-14	065644	B4-66, B4-68
064074	B16-12	064670	B5-44	065289	B11-9	065653	B4-60
064075	B16-12	064684	B5-22	065290	B11-9	065655	B2-46
064076	B16-12	064689	B4-18	065291	B11-9	065657	B14-56
064077	B16-12	064691	B8-8	065292	B11-9	065658	B6-26
064079	B5-28	064698	B6-46	065293	B11-9	065666	B7-30
064089	B4-40	064704	B4-76	065294	B11-9	065681	B4-70
064096	B7-30	064720	B2-51	065295	B11-9	065694	B2-30
064136	B4-28	064735	B6-31, B6-32	065296	B11-9	065699	B4-52

Eccentric Collar Ball Bearing

Setscrew VSC Ball Bearing

Eccentric SXV Collar Ball Bearing

Take-Up Frames

Engineering

Part Number Index

Keyword Index



PART NUMBER INDEX

Part Number	Page	Part Number	Page	Part Number	Page	Part Number	Page
065700	B4-100	066257	B11-30	066311	B11-30	066419	B11-33
065766	B4-34	066258	B11-30	066312	B11-39	066421	B11-33
065770	B6-28	066260	B11-33	066314	B11-39	066422	B11-33
065771	B6-28	066261	B11-33	066315	B11-39	066424	B11-33
065774	B4-22	066262	B11-30	066316	B11-39	066425	B11-33
065776	B5-18	066263	B11-30	066317	B11-39	066426	B11-33
065777	B5-18	066266	B11-30	066318	B11-39	066428	B11-33
065780	B2-64	066268	B11-33	066319	B11-39	066429	B11-33
065784	B6-12, B6-20	066269	B11-30	066320	B11-39	066444	B11-39
065786	B2-56	066270	B11-30	066321	B11-39	066445	B11-39
065945	B2-36	066271	B11-30	066322	B11-39	066446	B11-39
065969	B5-22	066272	B11-33	066324	B11-39	066447	B11-39
066212	B11-30	066273	B11-30	066325	B11-39	066448	B11-39
066213	B11-30	066274	B11-33	066326	B11-39	066450	B11-39
066214	B6-16, B11-30	066276	B11-33	066360	B11-33	066451	B11-39
066215	B11-30	066278	B11-33	066363	B11-33	066455	B11-39
066216	B11-30	066279	B11-39	066365	B11-33	066456	B11-39
066217	B11-30	066280	B11-39	066366	B11-33	066457	B11-39
066218	B11-30	066281	B11-39	066367	B11-33	066458	B11-39
066220	B11-30	066282	B11-39	066370	B11-33	066459	B11-39
066222	B11-30	066283	B11-39	066371	B11-33	066460	B11-39
066223	B11-30	066284	B11-39	066372	B11-33	066461	B11-39
066224	B11-33	066285	B11-39	066373	B11-33	066463	B11-39
066225	B11-33	066286	B11-39	066374	B11-33	066464	B11-39
066226	B11-30	066287	B11-39	066375	B11-33	066465	B11-39
066228	B11-30	066288	B11-39	066377	B11-33	066466	B11-39
066230	B11-30	066289	B11-39	066378	B11-33	066467	B11-39
066231	B11-33	066290	B11-39	066379	B11-33	066468	B11-39
066232	B11-30	066291	B11-39	066381	B11-33	066469	B11-39
066234	B11-30	066292	B11-39	066382	B11-33	066471	B11-39
066235	B11-33	066293	B11-39	066384	B11-33	066472	B11-39
066236	B11-30	066294	B11-39	066385	B11-33	066473	B11-39
066237	B11-30	066295	B11-39	066386	B11-33	066475	B11-39
066238	B11-33	066296	B11-39	066388	B11-33	066476	B11-39
066240	B11-33	066297	B11-39	066389	B11-33	066478	B11-39
066242	B11-33	066298	B11-39	066400	B11-33	066479	B11-39
066243	B11-30	066299	B11-39	066403	B11-33	066480	B11-39
066244	B11-33	066300	B11-30	066405	B11-33	066482	B11-39
066245	B11-33	066301	B11-30	066406	B11-33	066483	B11-39
066246	B11-30	066302	B11-30	066407	B11-33	066484	B11-39
066247	B11-30	066303	B11-30	066409	B11-33	066485	B11-39
066248	B11-30	066304	B11-30	066411	B11-33	066486	B11-39
066249	B11-30	066305	B11-30	066412	B11-33	066487	B11-39
066250	B11-30	066306	B11-30	066413	B11-33	066488	B11-39
066252	B11-30	066307	B11-30	066414	B11-33	066489	B11-39
066253	B11-30	066308	B11-30	066415	B11-33	066499	B11-39
066254	B11-30	066309	B11-30	066417	B11-33	066500	B11-39
066256	B11-30	066310	B11-30	066418	B11-33	066501	B11-39

Eccentric Collar Ball Bearings

Setcrew WSC Ball Bearing

Eccentric SXV Collar Ball Bearing

Take-Up Frames

Engineering

Part Number Index

Keyword Index

PART NUMBER INDEX



Part Number	Page	Part Number	Page	Part Number	Page	Part Number	Page
066502	B11-39	066573	B11-39	067043	B11-43	067350	B10-67
066503	B11-39	066574	B11-39	067044	B11-43	067352	B10-67
066504	B11-39	066575	B11-39	067045	B11-43	067353	B10-67
066506	B11-39	066576	B11-39	067046	B11-43	067354	B10-67
066507	B11-39	066577	B11-39	067047	B11-43	067355	B10-67
066509	B11-39	066578	B11-39	067048	B11-43	067356	B10-67
066510	B11-39	066580	B11-39	067049	B11-43	067357	B10-67
066511	B11-39	066581	B11-39	067050	B11-43	067501	B15-54
066512	B11-39	066582	B11-39	067051	B11-43	067503	B15-54
066513	B11-39	066583	B11-39	067052	B11-43	067509	B15-54
066514	B11-39	066584	B11-39	067053	B11-43	067511	B15-54
066515	B11-39	066585	B11-39	067054	B11-43	067517	B15-54
066516	B11-39	066587	B11-39	067055	B11-43	067519	B15-54
066517	B11-39	066588	B11-39	067056	B11-43	067520	B15-54
066519	B11-39	066589	B11-39	067057	B11-43	067521	B15-54
066520	B11-39	066590	B11-39	067060	B11-43	067576	B10-67, B14-103, B15-54
066521	B11-39	066591	B11-39	067061	B11-43	067601	B9-20
066522	B11-39	066593	B11-39	067072	B11-43	067630	B2-26
066523	B11-39	066594	B11-39	067073	B11-43	067642	B4-54
066524	B11-39	066596	B11-39	067075	B11-43	067652	B4-16
066526	B11-39	066598	B11-39	067078	B11-43	067663	B4-34
066527	B11-39	066600	B11-39	067100	B11-43	067664	B8-10
066528	B11-39	066601	B11-39	067103	B11-43	067666	B4-36
066530	B11-39	066602	B11-39	067120	B11-43	067674	B4-42
066531	B11-39	066603	B11-39	067123	B11-43	067678	B2-24
066533	B11-39	066604	B11-39	067135	B11-43	067679	B4-14
066534	B11-39	066605	B11-39	067138	B11-43	067710	B4-99
066535	B11-39	066606	B11-39	067149	B11-44	067713	B5-12
066537	B11-39	066607	B11-39	067151	B11-44	067726	B6-44
066538	B11-39	066629	B14-104, B16-22	067152	B11-44	067742	B4-16
066539	B11-39	066630	B14-104, B16-22	067153	B11-44	067774	B4-100
066540	B11-39	066631	B14-104, B16-22	067154	B11-44	067777	B5-14
066541	B11-39	066632	B14-104, B16-22	067155	B11-44	067783	B6-12
066542	B11-39	066633	B14-104, B16-22	067156	B11-44	067829	B4-62
066543	B11-39	066634	B14-104, B16-22	067157	B11-44	067830	B4-100
066544	B11-39	066635	B14-104, B16-22	067159	B11-44	067839	B2-26
066559	B11-39	066636	B14-104, B16-22	067164	B11-44	067865	B5-12
066560	B11-39	066637	B14-104, B16-22	067234	B10-67	067868	B4-64
066561	B11-39	066638	B14-104, B16-22	067323	B10-67	067874	B4-54
066562	B11-39	066642	B14-104, B16-22	067326	B15-54	067892	B4-52
066563	B11-39	066643	B14-104, B16-22	067340	B10-67	067902	B4-88
066564	B11-39	066644	B14-104	067342	B10-67	067903	B6-42
066566	B11-39	067007	B11-43	067343	B10-67	067910	B5-12
066567	B11-39	067016	B11-43	067344	B10-67	067919	B2-46
066569	B11-39	067019	B4-36	067345	B10-67	067921	B14-56
066570	B11-39	067031	B11-43	067346	B10-67	067922	B14-56
066571	B11-39	067034	B11-43	067347	B10-67	067925	B4-14
066572	B11-39	067042	B11-43	067348	B10-67		

Eccentric Collar Ball Bearing

Setcrew VSC Ball Bearing

Eccentric SXV Collar Ball Bearing

Take-Up Frames

Engineering

Part Number Index

Keyword Index



PART NUMBER INDEX

Part Number	Page	Part Number	Page	Part Number	Page	Part Number	Page
067926	B7-22	068266	B4-100	068716	B8-16	069065	B11-14
067958	B6-28	068273	B5-40	068720	B4-50	069066	B11-14
067959	B4-36	068283	B2-31	068726	B5-10	069067	B11-14
067969	B6-34	068290	B4-99	068727	B5-10	069069	B11-14
067970	B6-26	068301	B4-58	068743	B7-16	069286	B16-12
067986	B2-56	068307	B4-22	068747	B9-12	069287	B16-12
067996	B2-46	068320	B6-34	068756	B6-42	069288	B16-12
067997	B6-28	068321	B6-42	068758	B6-34	069289	B16-12
068008	B6-54	068322	B2-46	068760	B4-20	069296	B16-12
068013	B4-88	068329	B5-22	068763	B9-20	069297	B16-12
068025	B4-26	068361	B4-20	068774	B14-56	069303	B16-12
068053	B2-64	068372	B4-12	068775	B14-56	069304	B16-12
068061	B6-16	068373	B6-16, B6-18	068777	B6-12	069305	B16-12
068066	B4-100	068374	B4-76	068784	B9-16	069306	B16-12
068068	B4-30	068387	B9-18	068785	B4-58	069307	B16-12
068071	B5-20, B7-20	068389	B6-46	068789	B4-48	069308	B16-12
068088	B4-99	068400	B9-12	068790	B9-22	069312	B16-12
068092	B7-30	068404	B4-94	068800	B4-24	069313	B16-12
068118	B7-22	068424	B2-64	068803	B9-18	069316	B16-12
068184	B4-72	068428	B8-12	068809	B8-16	069317	B16-12
068185	B4-99	068471	B7-34	068839	B4-40	069340	B14-97
068195	B7-16	068472	B5-22	068840	B4-50	069341	B14-97
068196	B7-16	068478	B4-92	068849	B7-42	069342	B14-97
068197	B7-16	068495	B2-46	068855	B9-18	069343	B14-97
068198	B7-16	068532	B4-48	068861	B5-26	069344	B14-97
068199	B7-16	068537	B6-12	068864	B9-10	069345	B14-97
068200	B7-16	068540	B6-54	068865	B5-14, B5-22	069346	B14-97
068201	B7-16	068561	B9-18	068866	B7-24	069347	B14-97
068202	B7-18	068571	B4-56	068867	B9-16	069348	B14-97
068203	B7-18	068572	B4-56	068871	B5-22	069349	B14-97
068204	B7-18	068573	B4-56	068872	B5-18	069350	B14-97
068205	B7-18	068576	B14-56	068878	B5-32	069351	B14-97
068206	B7-18	068603	B4-14	068889	B4-94	069352	B14-97
068207	B7-28	068608	B6-52	068901	B7-26	069353	B14-97
068208	B7-28	068622	B5-12	068905	B14-56	069354	B14-99
068209	B7-28	068643	B6-26	068915	B4-40	069355	B14-99
068210	B7-28	068650	B6-46	068937	B4-40	069356	B14-99
068211	B7-28	068659	B4-72	068973	B4-59, B4-62	069357	B14-99
068212	B7-28	068662	B5-22	068996	B4-46	069358	B14-99
068213	B7-24	068663	B6-32	069034	B11-14	069359	B14-99
068214	B7-24	068673	B5-22	069039	B11-14	069360	B14-99
068215	B7-24	068680	B5-22	069045	B11-14	069361	B14-99
068216	B7-24	068682	B5-22	069046	B11-14	069362	B14-99
068230	B5-18	068683	B5-14	069060	B11-14	069363	B14-99
068232	B6-48	068685	B5-32	069061	B11-14	069364	B14-99
068234	B2-28	068686	B5-22	069062	B11-14	069365	B14-99
068236	B2-26	068687	B2-62	069063	B11-14	069366	B14-99
068239	B4-101	068715	B5-14	069064	B11-14	069367	B14-99

Eccentric Collar Ball Bearings

Setcrew WSC Ball Bearing

Eccentric SXV Collar Ball Bearing

Take-Up Frames

Engineering

Part Number Index

Keyword Index

PART NUMBER INDEX



Part Number	Page	Part Number	Page	Part Number	Page	Part Number	Page
069368	B14-97	069420	B14-33	069468	B14-31	069524	B14-43
069369	B14-97	069421	B14-33	069469	B14-31	069525	B14-43
069370	B14-97	069422	B14-33	069470	B14-33	069526	B14-43
069371	B14-97	069423	B14-33	069471	B14-33	069527	B14-43
069372	B14-97	069424	B14-33	069472	B14-33	069528	B14-43
069373	B14-97	069425	B14-33	069473	B14-33	069529	B14-43
069374	B14-97	069426	B14-33	069474	B14-33	069530	B14-43
069375	B14-97	069427	B14-33	069475	B14-33	069531	B14-45
069376	B14-97	069428	B14-31	069476	B14-33	069532	B14-45
069377	B14-97	069429	B14-31	069477	B14-33	069533	B14-45
069378	B14-97	069430	B14-31	069478	B14-33	069534	B14-45
069379	B14-97	069431	B14-31	069479	B14-33	069535	B14-45
069380	B14-97	069432	B14-31	069480	B14-33	069536	B14-45
069381	B14-97	069433	B14-31	069481	B14-33	069537	B14-45
069382	B14-99	069434	B14-31	069482	B14-33	069538	B14-43
069383	B14-99	069435	B14-31	069483	B14-33	069539	B14-43
069384	B14-99	069436	B14-31	069484	B14-31	069540	B14-43
069385	B14-99	069437	B14-31	069485	B14-31	069541	B14-43
069386	B14-99	069438	B14-31	069486	B14-31	069542	B14-43
069387	B14-99	069439	B14-31	069487	B14-31	069543	B14-43
069388	B14-99	069440	B14-31	069488	B14-31	069544	B14-43
069389	B14-99	069441	B14-31	069489	B14-31	069545	B14-43
069390	B14-99	069442	B14-33	069490	B14-31	069546	B14-43
069391	B14-99	069443	B14-33	069491	B14-31	069547	B14-43
069392	B14-99	069444	B14-33	069492	B14-31	069548	B14-43
069393	B14-99	069445	B14-33	069493	B14-31	069549	B14-45
069394	B14-99	069446	B14-33	069494	B14-31	069550	B14-45
069395	B14-99	069447	B14-33	069495	B14-31	069551	B14-45
069400	B14-31	069448	B14-33	069496	B14-31	069552	B14-45
069401	B14-31	069449	B14-33	069497	B14-31	069553	B14-45
069402	B14-31	069450	B14-33	069498	B14-33	069554	B14-45
069403	B14-31	069451	B14-33	069499	B14-33	069555	B14-45
069404	B14-31	069452	B14-33	069500	B14-33	069556	B14-43
069405	B14-31	069453	B14-33	069501	B14-33	069557	B14-43
069406	B14-31	069454	B14-33	069502	B14-33	069558	B14-43
069407	B14-31	069455	B14-33	069503	B14-33	069559	B14-43
069408	B14-31	069456	B14-31	069504	B14-33	069560	B14-43
069409	B14-31	069457	B14-31	069505	B14-33	069561	B14-43
069410	B14-31	069458	B14-31	069506	B14-33	069562	B14-43
069411	B14-31	069459	B14-31	069507	B14-33	069563	B14-43
069412	B14-31	069460	B14-31	069508	B14-33	069564	B14-43
069413	B14-31	069461	B14-31	069509	B14-33	069565	B14-43
069414	B14-33	069462	B14-31	069510	B14-33	069566	B14-43
069415	B14-33	069463	B14-31	069511	B14-33	069567	B14-45
069416	B14-33	069464	B14-31	069520	B14-43	069568	B14-45
069417	B14-33	069465	B14-31	069521	B14-43	069569	B14-45
069418	B14-33	069466	B14-31	069522	B14-43	069570	B14-45
069419	B14-33	069467	B14-31	069523	B14-43	069571	B14-45



PART NUMBER INDEX

Part Number	Page	Part Number	Page	Part Number	Page	Part Number	Page
069572	B14-45	069638	B14-67	069686	B14-69	069734	B14-71
069573	B14-45	069639	B14-67	069687	B14-69	069735	B14-73
069574	B14-43	069640	B14-67	069688	B14-69	069736	B14-73
069575	B14-43	069641	B14-67	069689	B14-69	069737	B14-73
069576	B14-43	069642	B14-69	069690	B14-69	069738	B14-73
069577	B14-43	069643	B14-69	069691	B14-69	069739	B14-73
069578	B14-43	069644	B14-69	069692	B14-69	069740	B14-73
069579	B14-43	069645	B14-69	069693	B14-71	069741	B14-73
069580	B14-43	069646	B14-69	069694	B14-71	069742	B14-73
069581	B14-43	069647	B14-69	069695	B14-71	069743	B14-73
069582	B14-43	069648	B14-69	069696	B14-71	069744	B14-73
069583	B14-43	069649	B14-69	069697	B14-71	069745	B14-73
069584	B14-43	069650	B14-69	069698	B14-71	069746	B14-73
069585	B14-45	069651	B14-67	069699	B14-71	069747	B14-73
069586	B14-45	069652	B14-67	069700	B14-71	069748	B14-73
069587	B14-45	069653	B14-67	069701	B14-71	069749	B14-71
069588	B14-45	069654	B14-67	069702	B14-71	069750	B14-71
069589	B14-45	069655	B14-67	069703	B14-71	069751	B14-71
069590	B14-45	069656	B14-67	069704	B14-71	069752	B14-71
069591	B14-45	069657	B14-67	069705	B14-71	069753	B14-71
069593	B14-67	069658	B14-67	069706	B14-71	069754	B14-71
069594	B14-67	069659	B14-67	069707	B14-73	069755	B14-71
069595	B14-67	069660	B14-67	069708	B14-73	069756	B14-71
069596	B14-67	069661	B14-67	069709	B14-73	069757	B14-71
069597	B14-67	069662	B14-67	069710	B14-73	069758	B14-71
069598	B14-67	069663	B14-69	069711	B14-73	069759	B14-71
069599	B14-67	069664	B14-69	069712	B14-73	069760	B14-71
069600	B14-67	069665	B14-69	069713	B14-73	069761	B14-71
069601	B14-67	069666	B14-69	069714	B14-73	069762	B14-71
069602	B14-67	069667	B14-69	069715	B14-73	069763	B14-73
069603	B14-67	069668	B14-69	069716	B14-73	069764	B14-73
069604	B14-69	069669	B14-69	069717	B14-73	069765	B14-73
069605	B14-69	069670	B14-69	069718	B14-73	069766	B14-73
069606	B14-69	069671	B14-69	069719	B14-73	069767	B14-73
069607	B14-69	069672	B14-67	069720	B14-73	069768	B14-73
069608	B14-69	069673	B14-67	069721	B14-71	069769	B14-73
069609	B14-69	069674	B14-67	069722	B14-71	069770	B14-73
069610	B14-69	069675	B14-67	069723	B14-71	069771	B14-73
069611	B14-69	069676	B14-67	069724	B14-71	069772	B14-73
069612	B14-69	069677	B14-67	069725	B14-71	069773	B14-73
069630	B14-67	069678	B14-67	069726	B14-71	069774	B14-73
069631	B14-67	069679	B14-67	069727	B14-71	069775	B14-73
069632	B14-67	069680	B14-67	069728	B14-71	069776	B14-73
069633	B14-67	069681	B14-67	069729	B14-71	069777	B14-71
069634	B14-67	069682	B14-67	069730	B14-71	069778	B14-71
069635	B14-67	069683	B14-67	069731	B14-71	069779	B14-71
069636	B14-67	069684	B14-69	069732	B14-71	069780	B14-71
069637	B14-67	069685	B14-69	069733	B14-71	069781	B14-71

PART NUMBER INDEX



Part Number	Page	Part Number	Page	Part Number	Page	Part Number	Page
069782	B14-71	069830	B14-85	069878	B14-83, B14-87	069926	B14-85
069783	B14-71	069831	B14-85, B14-89	069879	B14-83, B14-87	069927	B14-85, B14-89
069784	B14-71	069832	B14-85, B14-89	069880	B14-83, B14-87	069928	B14-85, B14-89
069785	B14-71	069833	B14-85	069881	B14-83, B14-87	069929	B14-85
069786	B14-71	069834	B14-85	069882	B14-83	069930	B14-85
069787	B14-71	069835	B14-85	069883	B14-83	069931	B14-85
069788	B14-71	069836	B14-85	069884	B14-83, B14-87	069932	B14-85
069789	B14-71	069837	B14-83	069885	B14-83, B14-87	069960	B12-51, B14-107, B14-110, B16-21
069790	B14-71	069838	B14-83	069886	B14-85, B14-89	069961	B12-51, B14-107, B14-110, B16-21
069791	B14-73	069839	B14-83	069887	B14-85, B14-89	069962	B12-51, B14-107, B14-110, B16-21
069792	B14-73	069840	B14-83, B14-87	069888	B14-85, B14-89	069963	B12-51, B14-107, B14-110, B16-21
069793	B14-73	069841	B14-83, B14-87	069889	B14-85, B14-89	069964	B12-51, B14-107, B14-110, B16-21
069794	B14-73	069842	B14-83	069890	B14-85, B14-89	069965	B12-51, B14-107, B14-110, B16-21
069795	B14-73	069843	B14-83, B14-87	069891	B14-85, B14-89	069966	B12-51, B14-107, B14-110, B16-21
069796	B14-73	069844	B14-83, B14-87	069892	B14-85, B14-89	069967	B12-51, B14-107, B14-110, B16-21
069797	B14-73	069845	B14-83	069893	B14-85, B14-89	069968	B12-51, B14-107, B14-110, B16-21
069798	B14-73	069846	B14-83, B14-87	069894	B14-85	069969	B12-51, B14-107, B14-110, B16-21
069799	B14-73	069847	B14-83, B14-87	069895	B14-85, B14-89	069970	B12-51
069800	B14-73	069848	B14-83, B14-87	069896	B14-85, B14-89	069971	B12-51
069801	B14-73	069849	B14-83, B14-87	069897	B14-85	069972	B12-51
069802	B14-73	069850	B14-83	069898	B14-85	069973	B12-51
069803	B14-73	069851	B14-83	069899	B14-85	069975	B12-51
069804	B14-73	069852	B14-83, B14-87	069900	B14-85	069983	B16-21
069805	B14-83	069853	B14-83, B14-87	069901	B14-83	069984	B16-21
069806	B14-83	069854	B14-85, B14-89	069902	B14-83	070000	B12-49
069807	B14-83	069855	B14-85, B14-89	069903	B14-83	070001	B12-49
069808	B14-83, B14-87	069856	B14-85, B14-89	069904	B14-83, B14-87	070002	B12-49
069809	B14-83, B14-87	069857	B14-85, B14-89	069905	B14-83, B14-87	070003	B12-49
069810	B14-83	069858	B14-85, B14-89	069906	B14-83	070004	B12-49
069811	B14-83, B14-87	069859	B14-85, B14-89	069907	B14-83, B14-87	070005	B12-49
069812	B14-83, B14-87	069860	B14-85, B14-89	069908	B14-83, B14-87	070006	B12-49
069813	B14-83	069861	B14-85, B14-89	069909	B14-83	070007	B12-49
069814	B14-83, B14-87	069862	B14-85	069910	B14-83, B14-87	070008	B12-49
069815	B14-83, B14-87	069863	B14-85, B14-89	069911	B14-83, B14-87	070009	B12-49
069816	B14-83, B14-87	069864	B14-85, B14-89	069912	B14-83, B14-87	070010	B12-49
069817	B14-83, B14-87	069865	B14-85	069913	B14-83, B14-87	070011	B12-49
069818	B14-83	069866	B14-85	069914	B14-83	070012	B12-49
069819	B14-83	069867	B14-85	069915	B14-83	070013	B12-49
069820	B14-83, B14-87	069868	B14-85	069916	B14-83, B14-87		
069821	B14-83, B14-87	069869	B14-83	069917	B14-83, B14-87		
069822	B14-85, B14-89	069870	B14-83	069918	B14-85, B14-89		
069823	B14-85, B14-89	069871	B14-83	069919	B14-85, B14-89		
069824	B14-85, B14-89	069872	B14-83, B14-87	069920	B14-85, B14-89		
069825	B14-85, B14-89	069873	B14-83, B14-87	069921	B14-85, B14-89		
069826	B14-85, B14-89	069874	B14-83	069922	B14-85, B14-89		
069827	B14-85, B14-89	069875	B14-83, B14-87	069923	B14-85, B14-89		
069828	B14-85, B14-89	069876	B14-83, B14-87	069924	B14-85, B14-89		
069829	B14-85, B14-89	069877	B14-83	069925	B14-85, B14-89		



PART NUMBER INDEX

Part Number	Page	Part Number	Page	Part Number	Page	Part Number	Page
070014	B12-49	070083	B14-54	070193	B12-50, B14-106	070300	B12-15
070015	B12-49	070084	B14-52	070194	B14-106	070301	B12-15
070016	B12-49	070085	B14-52	070240	B12-50	070302	B12-15
070017	B12-49	070086	B14-52	070241	B12-50	070303	B12-15
070018	B12-49	070087	B14-52	070242	B12-50	070305	B12-15
070019	B12-49	070088	B14-54	070243	B12-50	070307	B12-15
070020	B12-49	070089	B14-54	070244	B12-50	070308	B12-15
070021	B12-49	070090	B14-54	070245	B12-50	070309	B12-15
070022	B12-49	070091	B14-54	070246	B12-50	070311	B12-15
070023	B12-49	070092	B14-54	070247	B12-50	070313	B12-15
070024	B12-49	070093	B14-54	070248	B12-50	070318	B12-15
070025	B12-49	070094	B14-54	070249	B12-50	070319	B12-15
070026	B12-49	070095	B14-54	070250	B12-50	070320	B12-15
070027	B12-49	070096	B14-54	070251	B16-21	070322	B12-15
070028	B12-49	070097	B14-54	070252	B16-21	070323	B12-15
070029	B12-49	070160	B14-106	070253	B16-21	070324	B12-15
070030	B12-49	070161	B14-106	070254	B16-21	070325	B12-15
070031	B12-49	070162	B14-106	070255	B16-21	070326	B12-15
070053	B16-14	070163	B14-106	070256	B16-21	070328	B12-15
070054	B14-52	070164	B14-106	070257	B16-21	070330	B12-15
070055	B14-52	070165	B14-106	070258	B16-21	070331	B12-15
070056	B14-52	070166	B14-106	070259	B16-21	070332	B12-15
070057	B14-52	070167	B14-106	070260	B16-21	070334	B12-15
070058	B14-54	070168	B14-106	070261	B16-21	070336	B12-15
070059	B14-54	070169	B14-106	070262	B16-21	070341	B12-15
070060	B14-54	070170	B14-106	070263	B16-21	070342	B12-15
070061	B14-54	070171	B14-106	070264	B16-21	070343	B12-15
070062	B14-54	070172	B14-106	070265	B16-21	070345	B12-15
070063	B14-54	070173	B14-106	070266	B16-21	070346	B12-15
070064	B14-52	070174	B14-106	070267	B16-21	070347	B12-15
070065	B14-52	070175	B14-106	070272	B12-15	070348	B12-15
070066	B14-52	070176	B14-106	070273	B12-15	070349	B12-15
070067	B14-52	070177	B14-106	070274	B12-15	070351	B12-15
070068	B14-54	070178	B12-50, B14-106	070276	B12-15	070353	B12-15
070069	B14-54	070179	B14-106	070277	B12-15	070354	B12-15
070070	B14-54	070180	B14-106	070278	B12-15	070355	B12-15
070071	B14-54	070181	B14-106	070279	B12-15	070357	B12-15
070072	B14-54	070182	B14-106	070280	B12-15	070359	B12-15
070073	B14-54	070183	B14-106	070282	B12-15	070361	B12-23
070074	B14-52	070184	B14-106	070284	B12-15	070362	B12-23
070075	B14-52	070185	B14-106	070285	B12-15	070363	B12-23
070076	B14-52	070186	B12-50, B14-106	070286	B12-15	070365	B12-23
070077	B14-52	070187	B14-106	070288	B12-15	070367	B12-23
070078	B14-54	070188	B14-106	070290	B12-15	070368	B12-23
070079	B14-54	070189	B12-50, B14-106	070295	B12-15	070369	B12-23
070080	B14-54	070190	B14-106	070296	B12-15	070371	B12-23
070081	B14-54	070191	B12-50, B14-106	070297	B12-15	070373	B12-23
070082	B14-54	070192	B14-106	070299	B12-15	070375	B12-23

PART NUMBER INDEX



Part Number	Page	Part Number	Page	Part Number	Page	Part Number	Page
070377	B12-23	070472	B12-31	070564	B12-33	070648	B12-39, B12-41
070379	B12-23	070474	B12-31	070565	B12-33	070649	B12-39
070380	B12-23	070475	B12-31	070566	B12-33	070650	B12-39, B12-41
070381	B12-23	070476	B12-31	070568	B12-33	070651	B12-39, B12-41
070383	B12-23	070477	B12-31	070569	B12-33	070652	B12-39, B12-41
070385	B12-23	070478	B12-31	070570	B12-33	070654	B12-39, B12-41
070386	B12-23	070480	B12-31	070571	B12-33	070656	B12-39, B12-41
070387	B12-23	070482	B12-31	070572	B12-33	070657	B12-39, B12-41
070389	B12-23	070483	B12-31	070574	B12-33	070658	B12-39, B12-41
070391	B12-23	070484	B12-31	070576	B12-33	070660	B12-39, B12-41
070393	B12-23	070491	B12-31	070577	B12-33	070662	B12-39, B12-41
070395	B12-23	070492	B12-31	070578	B12-33	070664	B12-39
070397	B12-23	070493	B12-31	070580	B12-33	070666	B12-39
070398	B12-23	070495	B12-31	070582	B12-33	070671	B12-39, B12-41
070399	B12-23	070496	B12-31	070600	B12-33	070672	B12-39, B12-41
070401	B12-23	070497	B12-31	070601	B12-33	070673	B12-39
070403	B12-23	070498	B12-31	070602	B12-33	070675	B12-39, B12-41
070404	B12-23	070499	B12-31	070604	B12-33	070676	B12-39
070405	B12-23	070501	B12-31	070605	B12-33	070677	B12-39, B12-41
070407	B12-23	070503	B12-31	070606	B12-33	070678	B12-39, B12-41
070409	B12-23	070504	B12-31	070607	B12-33	070679	B12-39, B12-41
070411	B12-23	070505	B12-31	070608	B12-33	070681	B12-39, B12-41
070413	B12-23	070523	B12-31	070610	B12-33	070683	B12-39, B12-41
070415	B12-23	070524	B12-31	070612	B12-33	070684	B12-39, B12-41
070416	B12-23	070525	B12-31	070613	B12-33	070685	B12-39, B12-41
070417	B12-23	070527	B12-31	070614	B12-33	070687	B12-39, B12-41
070419	B12-23	070528	B12-31	070616	B12-33	070689	B12-39, B12-41
070421	B12-23	070529	B12-31	070618	B12-33	070691	B12-39
070422	B12-23	070530	B12-31	070620	B16-21	070693	B12-39
070423	B12-23	070531	B12-31	070621	B16-21	070698	B12-39, B12-41
070425	B12-23	070533	B12-31	070622	B16-21	070699	B12-39, B12-41
070427	B12-23	070535	B12-31	070623	B16-21	070700	B12-39
070429	B12-23	070536	B12-31	070624	B16-21	070702	B12-39, B12-41
070431	B12-23	070537	B12-31	070625	B16-21	070703	B12-39
070436	B12-31	070541	B12-33	070626	B16-21	070704	B12-39, B12-41
070437	B12-31	070542	B12-33	070627	B16-21	070705	B12-39, B12-41
070438	B12-31	070543	B12-33	070628	B16-21	070706	B12-39, B12-41
070440	B12-31	070545	B12-33	070629	B16-21	070708	B12-39, B12-41
070441	B12-31	070546	B12-33	070630	B16-21	070710	B12-39, B12-41
070442	B12-31	070547	B12-33	070631	B16-21	070711	B12-39, B12-41
070443	B12-31	070548	B12-33	070632	B16-21	070712	B12-39, B12-41
070444	B12-31	070549	B12-33	070633	B16-21	070714	B12-39, B12-41
070446	B12-31	070551	B12-33	070634	B16-21	070716	B12-39, B12-41
070448	B12-31	070553	B12-33	070635	B16-21	070718	B12-39
070449	B12-31	070554	B12-33	070636	B16-21	070720	B12-39
070450	B12-31	070555	B12-33	070644	B12-39, B12-41	070725	B12-39, B12-41
070470	B12-31	070557	B12-33	070645	B12-39, B12-41	070726	B12-39, B12-41
070471	B12-31	070559	B12-33	070646	B12-39	070727	B12-39

Eccentric Collar Ball Bearing

Setscrew VSC Ball Bearing

Eccentric SXV Collar Ball Bearing

Take-Up Frames

Engineering

Part Number Index

Keyword Index



PART NUMBER INDEX

Part Number	Page	Part Number	Page	Part Number	Page	Part Number	Page
070729	B12-39, B12-41	070815	B12-47	070895	B14-101, B14-103	070943	B14-101
070730	B12-39	070817	B12-47	070896	B14-101	070951	B14-52
070731	B12-39, B12-41	070818	B12-47	070897	B14-101	070952	B14-52
070732	B12-39, B12-41	070819	B12-47	070898	B14-101	070953	B14-52
070733	B12-39, B12-41	070821	B12-47	070899	B14-101, B14-103	070954	B14-52
070735	B12-39, B12-41	070823	B12-47	070900	B14-101	070955	B14-52
070737	B12-39, B12-41	070825	B12-47	070901	B14-101	070956	B14-52
070738	B12-39, B12-41	070827	B12-47	070902	B14-101	070957	B14-52
070739	B12-39, B12-41	070829	B12-47	070903	B14-101, B14-103	070958	B14-52
070741	B12-39, B12-41	070830	B12-47	070904	B14-101	070959	B14-52
070743	B12-39, B12-41	070831	B12-47	070905	B14-101	070960	B14-52
070745	B12-39	070833	B12-47	070906	B14-101, B14-103	070961	B14-52
070747	B12-39	070835	B12-47	070907	B14-101	070962	B14-52
070752	B12-43	070836	B12-47	070908	B14-101	070963	B14-52
070753	B12-43	070837	B12-47	070909	B14-101	070964	B14-52
070754	B12-43	070839	B12-47	070910	B14-101	070965	B14-52
070756	B12-43	070841	B12-47	070911	B14-101	070966	B14-52
070757	B12-43	070843	B12-47	070912	B14-100	071000	B16-12, B14-63
070758	B12-43	070845	B12-47	070913	B14-100	071001	B16-12, B14-63
070759	B12-43	070853	B12-33	070914	B14-100	071002	B16-12, B14-63
070760	B12-43	070854	B12-33	070915	B14-100	071003	B16-12, B14-63
070762	B12-45	070855	B12-33	070916	B14-100	071004	B16-12, B14-63
070764	B12-45	070857	B12-33	070917	B14-100	071005	B16-12, B14-63
070765	B12-45	070858	B12-33	070918	B14-100	071006	B16-12, B14-63
070766	B12-45	070859	B12-33	070919	B14-100	071007	B16-12, B14-63
070768	B12-45	070860	B12-33	070920	B14-100	071008	B16-12, B14-63
070770	B12-45	070861	B12-33	070921	B14-100	071009	B16-12, B14-63
070772	B12-45	070863	B12-33	070922	B14-100	071010	B16-12, B14-63
070774	B12-45	070865	B12-33	070923	B14-100	071011	B16-12, B14-63
070779	B12-43	070866	B12-33	070924	B14-100	071012	B16-12, B14-63
070780	B12-43	070867	B12-33	070925	B14-100	071013	B16-12, B14-63
070781	B12-43	070869	B12-33	070926	B14-101	071014	B16-12, B14-63
070783	B12-43	070871	B12-33	070927	B14-101, B14-103	071015	B16-12, B14-63
070784	B12-43	070880	B14-100	070928	B14-101	071016	B16-12, B14-63
070785	B12-43	070881	B14-100	070929	B14-101	071017	B16-12, B14-63
070786	B12-43	070882	B14-100	070930	B14-101	071018	B16-12, B14-63
070787	B12-43	070883	B14-100	070931	B14-101, B14-103	071019	B16-12, B14-63
070789	B12-45	070884	B14-100	070932	B14-101	071020	B16-12, B16-12, B14-63
070791	B12-45	070885	B14-100	070933	B14-101	071021	B16-12, B14-63
070792	B12-45	070886	B14-100	070934	B14-101	071022	B16-12, B14-63
070793	B12-45	070887	B14-100	070935	B14-101, B14-103	071023	B16-12, B14-63
070795	B12-45	070888	B14-100	070936	B14-101	071024	B16-12, B14-63
070797	B12-45	070889	B14-100	070937	B14-101	071025	B16-12, B14-63
070799	B12-45	070890	B14-100	070938	B14-101, B14-103	071026	B16-12, B14-63
070801	B12-45	070891	B14-100	070939	B14-101	071027	B16-12, B14-63
070811	B12-47	070892	B14-100	070940	B14-101	071028	B16-12, B14-63
070812	B12-47	070893	B14-100	070941	B14-101	071029	B16-12, B14-63
070813	B12-47	070894	B14-101	070942	B14-101		

PART NUMBER INDEX



Part Number	Page	Part Number	Page	Part Number	Page	Part Number	Page
071030	B16-12, B14-63	071078	B16-17	071130	B14-37	071178	B14-37
071031	B16-12, B14-63	071079	B16-17	071131	B14-37	071179	B14-37
071032	B16-12, B14-63	071080	B16-17	071132	B14-37	071180	B14-37
071033	B16-12, B14-63	071081	B16-17	071133	B14-37	071181	B14-37
071034	B16-14, B14-63	071082	B16-17	071134	B14-37	071182	B14-37
071035	B16-14, B14-63	071083	B16-17	071135	B14-37	071183	B14-35
071036	B16-14, B14-63	071084	B16-17	071136	B14-37	071184	B14-35
071037	B16-14, B14-63	071085	B16-17	071137	B14-37	071185	B14-35
071038	B16-14, B14-63	071086	B16-17	071138	B14-37	071186	B14-35
071039	B16-14, B14-63	071087	B16-17	071139	B14-37	071187	B14-35
071040	B16-14, B14-63	071088	B16-17	071140	B14-37	071188	B14-35
071041	B16-14, B14-63	071089	B16-17	071141	B14-35	071189	B14-35
071042	B16-14, B14-63	071090	B16-17	071142	B14-35	071190	B14-35
071043	B16-14, B14-63	071091	B16-17	071143	B14-35	071191	B14-35
071044	B16-14, B14-63	071092	B16-17	071144	B14-35	071192	B14-35
071045	B16-14, B14-63	071093	B16-17	071145	B14-35	071193	B14-37
071046	B16-14, B14-63	071094	B16-17	071146	B14-35	071194	B14-37
071047	B16-14, B14-63	071095	B16-17	071147	B14-35	071195	B14-37
071048	B16-14, B14-63	071096	B16-17	071148	B14-35	071196	B14-37
071049	B16-14, B14-63	071097	B16-17	071149	B14-35	071197	B14-37
071050	B16-14, B14-63	071098	B16-17	071150	B14-35	071198	B14-37
071051	B16-14, B14-63	071099	B16-17	071151	B14-37	071199	B14-37
071052	B16-14, B14-63	071100	B16-17	071152	B14-37	071200	B14-37
071053	B14-63	071101	B16-17	071153	B14-37	071201	B14-37
071054	B16-14, B14-63	071102	B16-12, B14-63	071154	B14-37	071202	B14-37
071055	B16-14, B14-63	071103	B16-12, B14-63	071155	B14-37	071203	B14-37
071056	B16-14, B14-63	071104	B16-14, B14-63	071156	B14-37	071204	B14-47
071057	B16-14, B14-63	071105	B16-14, B14-63	071157	B14-37	071205	B14-47
071058	B16-14, B14-63	071106	B16-12, B14-63	071158	B14-37	071206	B14-47
071059	B16-14, B14-63	071107	B16-12, B14-63	071159	B14-37	071207	B14-47
071060	B16-14, B14-63	071108	B16-14, B14-63	071160	B14-37	071208	B14-47
071061	B16-14, B14-63	071109	B16-14, B14-63	071161	B14-37	071209	B14-47
071062	B16-14, B14-63	071114	B16-12	071162	B14-35	071210	B14-47
071063	B16-14, B14-63	071115	B16-12	071163	B14-35	071211	B14-47
071064	B16-14, B14-63	071116	B16-17	071164	B14-35	071212	B14-47
071065	B16-14, B14-63	071117	B16-17	071165	B14-35	071213	B14-47
071066	B16-14, B14-63	071118	B16-17	071166	B14-35	071214	B14-47
071067	B16-14, B14-63	071119	B16-17	071167	B14-35	071215	B14-47
071068	B16-17	071120	B14-35	071168	B14-35	071216	B14-47
071069	B16-17	071121	B14-35	071169	B14-35	071217	B14-47
071070	B16-17	071122	B14-35	071170	B14-35	071218	B14-47
071071	B16-17	071123	B14-35	071171	B14-35	071219	B14-47
071072	B16-17	071124	B14-35	071172	B14-37	071220	B14-47
071073	B16-17	071125	B14-35	071173	B14-37	071221	B14-47
071074	B16-17	071126	B14-35	071174	B14-37	071222	B14-47
071075	B16-17	071127	B14-35	071175	B14-37	071223	B14-47
071076	B16-17	071128	B14-35	071176	B14-37	071224	B14-47
071077	B16-17	071129	B14-35	071177	B14-37	071225	B14-47

Eccentric Collar Ball Bearing

Setscrew VSC Ball Bearing

Eccentric SXV Collar Ball Bearing

Take-Up Frames

Engineering

Part Number Index

Keyword Index



PART NUMBER INDEX

Part Number	Page	Part Number	Page	Part Number	Page	Part Number	Page
071226	B14-47	071274	B14-89	071322	B14-75	071371	B14-75
071227	B14-47	071275	B14-89	071323	B14-77	071372	B14-75
071228	B14-47	071276	B14-89	071324	B14-77	071373	B14-75
071229	B14-47	071277	B14-89	071325	B14-77	071374	B14-77
071230	B14-47	071278	B14-89	071326	B14-77	071375	B14-77
071231	B14-47	071279	B14-89	071327	B14-77	071376	B14-77
071232	B14-47	071280	B14-89	071328	B14-77	071377	B14-77
071233	B14-47	071281	B14-89	071329	B14-77	071378	B14-77
071234	B14-47	071282	B14-89	071330	B14-77	071379	B14-77
071235	B14-47	071283	B14-89	071331	B14-77	071380	B14-77
071236	B14-47	071284	B14-89	071332	B14-77	071381	B14-77
071237	B14-47	071285	B14-89	071333	B14-77	071382	B14-77
071238	B14-47	071286	B14-89	071334	B14-77	071383	B14-77
071239	B14-47	071287	B14-89	071335	B14-77	071384	B14-77
071240	B14-47	071288	B14-75	071336	B14-77	071385	B14-77
071241	B14-47	071289	B14-75	071337	B14-77	071386	B14-77
071242	B14-47	071290	B14-75	071338	B14-75	071387	B14-77
071243	B14-47	071291	B14-75	071339	B14-75	071388	B14-77
071244	B14-47	071292	B14-75	071340	B14-75	071389	B12-17
071245	B14-47	071293	B14-75	071341	B14-75	071390	B12-17
071246	B14-47	071294	B14-75	071342	B14-75	071391	B12-17
071247	B14-47	071295	B14-75	071343	B14-75	071392	B12-17
071248	B14-47	071296	B14-75	071344	B14-75	071393	B12-17
071249	B14-47	071297	B14-75	071345	B14-75	071394	B12-17
071250	B14-47	071298	B14-77	071346	B14-75	071395	B12-17
071251	B14-47	071299	B14-77	071347	B14-75	071396	B12-17
071252	B14-47	071300	B14-77	071348	B14-77	071397	B12-17
071253	B14-47	071301	B14-77	071349	B14-77	071398	B12-17
071254	B14-47	071302	B14-77	071350	B14-77	071399	B12-17
071255	B14-47	071303	B14-77	071351	B14-77	071400	B12-17
071256	B14-47	071304	B14-77	071352	B14-77	071401	B12-17
071257	B14-47	071305	B14-77	071353	B14-77	071402	B12-17
071258	B14-47	071306	B14-77	071354	B14-77	071403	B12-17
071259	B14-47	071307	B14-77	071355	B14-77	071404	B12-17
071260	B14-47	071308	B14-77	071356	B14-77	071405	B12-17
071261	B14-47	071309	B14-77	071357	B14-77	071406	B12-17
071262	B14-47	071310	B14-77	071358	B14-77	071407	B12-17
071263	B14-47	071311	B14-77	071359	B14-77	071408	B12-17
071264	B14-47	071312	B14-77	071360	B14-77	071409	B12-17
071265	B14-47	071313	B14-75	071361	B14-77	071410	B12-17
071266	B14-47	071314	B14-75	071362	B14-77	071411	B12-17
071267	B14-47	071315	B14-75	071364	B14-75	071412	B12-17
071268	B14-47	071316	B14-75	071365	B14-75	071413	B12-17
071269	B14-47	071317	B14-75	071366	B14-75	071414	B12-17
071270	B14-47	071318	B14-75	071367	B14-75	071415	B12-17
071271	B14-47	071319	B14-75	071368	B14-75	071416	B12-17
071272	B14-89	071320	B14-75	071369	B14-75	071417	B12-17
071273	B14-89	071321	B14-75	071370	B14-75	071418	B12-17

Eccentric Collar Ball Bearings
 Setscrew WSC Ball Bearing
 Eccentric SXV Collar Ball Bearing
 Take-Up Frames
 Engineering
 Part Number Index
 Keyword Index

PART NUMBER INDEX



Part Number	Page	Part Number	Page	Part Number	Page	Part Number	Page
071419	B12-17	071471	B12-35	071519	B12-35	071630	B14-47
071420	B12-17	071472	B12-35	071520	B12-35	071631	B14-47
071421	B12-17	071473	B12-35	071521	B12-41	071632	B14-47
071422	B12-17	071474	B12-35	071522	B12-41	071633	B14-47
071423	B12-17	071475	B12-35	071523	B12-41	071634	B14-47
071424	B12-17	071476	B12-35	071524	B12-41	071635	B14-47
071425	B12-17	071477	B12-35	071525	B12-41	071636	B14-47
071426	B12-17	071478	B12-35	071526	B12-41	071637	B14-47
071427	B12-17	071479	B12-35	071527	B12-41	071638	B14-47
071428	B12-17	071480	B12-35	071528	B12-41	071639	B14-47
071429	B12-17	071481	B12-35	071576	B14-87	071640	B14-47
071430	B12-17	071482	B12-35	071577	B14-87	071641	B14-47
071431	B12-17	071483	B12-35	071578	B14-87	071650	B14-38
071432	B12-17	071484	B12-35	071579	B14-87	071651	B14-38
071433	B12-25	071485	B12-35	071580	B14-87	071652	B14-38
071434	B12-25	071486	B12-35	071581	B14-87	071653	B14-38
071435	B12-25	071487	B12-35	071582	B14-87	071654	B14-38
071436	B12-25	071488	B12-35	071583	B14-87	071655	B14-38
071437	B12-25	071489	B12-35	071584	B14-87	071656	B14-38
071438	B12-25	071490	B12-35	071585	B14-87	071657	B14-38
071439	B12-25	071491	B12-35	071586	B14-87	071658	B14-38
071440	B12-25	071492	B12-35	071587	B14-87	071659	B14-38
071441	B12-25	071493	B12-35	071590	B14-100	071660	B14-38
071442	B12-25	071494	B12-35	071591	B14-100	071661	B14-38
071443	B12-25	071495	B12-35	071592	B14-101	071662	B14-38
071444	B12-25	071496	B12-35	071593	B14-100	071663	B14-38
071445	B12-25	071497	B12-35	071594	B14-100	071664	B14-38
071446	B12-25	071498	B12-35	071595	B14-101	071665	B14-38
071447	B12-25	071499	B12-35	071610	B14-47	071666	B14-38
071448	B12-25	071500	B12-35	071611	B14-47	071667	B14-38
071449	B12-25	071501	B12-35	071612	B14-47	071668	B14-38
071450	B12-25	071502	B12-35	071613	B14-47	071669	B14-38
071451	B12-25	071503	B12-35	071614	B14-47	071670	B14-38
071452	B12-25	071504	B12-35	071615	B14-47	071671	B14-38
071453	B12-25	071505	B12-35	071616	B14-47	071672	B14-38
071454	B12-25	071506	B12-35	071617	B14-47	071673	B14-38
071455	B12-25	071507	B12-35	071618	B14-47	071674	B14-38
071456	B12-25	071508	B12-35	071619	B14-47	071675	B14-38
071457	B12-25	071509	B12-35	071620	B14-47	071676	B14-38
071458	B12-25	071510	B12-35	071621	B14-47	071677	B14-38
071459	B12-25	071511	B12-35	071622	B14-47	071678	B14-38
071460	B12-25	071512	B12-35	071623	B14-47	071679	B14-38
071461	B12-25	071513	B12-35	071624	B14-47	071680	B14-38
071462	B12-25	071514	B12-35	071625	B14-47	071681	B14-38
071463	B12-25	071515	B12-35	071626	B14-47	071682	B14-38
071464	B12-25	071516	B12-35	071627	B14-47	071683	B14-38
071469	B12-35	071517	B12-35	071628	B14-47	071684	B14-38
071470	B12-35	071518	B12-35	071629	B14-47	071685	B14-38



PART NUMBER INDEX

Part Number	Page	Part Number	Page	Part Number	Page	Part Number	Page
071686	B14-38	071734	B14-49	071836	B12-27	071908	B14-51
071687	B14-38	071735	B14-49	071837	B12-27	071909	B14-51
071688	B14-38	071736	B14-49	071838	B12-27	071910	B14-51
071689	B14-38	071737	B14-49	071839	B12-27	071911	B14-51
071690	B14-38	071738	B14-49	071864	B14-41	071912	B14-51
071691	B14-38	071739	B14-49	071865	B14-41	071913	B14-51
071692	B14-38	071740	B14-49	071866	B14-41	071914	B14-51
071693	B14-38	071741	B14-49	071867	B14-41	071915	B14-51
071694	B14-38	071790	B12-19	071868	B14-41	071916	B14-51
071695	B14-38	071791	B12-19	071869	B14-41	071917	B14-51
071696	B14-38	071792	B12-19	071870	B14-41	071918	B14-51
071697	B14-38	071793	B12-19	071871	B14-41	071919	B14-51
071698	B14-38	071794	B12-19	071872	B14-41	071920	B14-51
071699	B14-38	071795	B12-19	071873	B14-41	071921	B14-51
071700	B14-38	071796	B12-19	071874	B14-41	071922	B14-51
071701	B14-38	071797	B12-19	071875	B14-41	071923	B14-51
071702	B14-38	071798	B12-19	071876	B14-41	071924	B14-51
071703	B14-38	071799	B12-19	071877	B14-41	071925	B14-51
071704	B14-38	071800	B12-19	071878	B14-41	071926	B14-51
071705	B14-38	071801	B12-19	071879	B14-41	071927	B14-51
071706	B14-49	071802	B12-19	071880	B14-41	071928	B14-51
071707	B14-49	071803	B12-19	071881	B14-41	071929	B14-51
071708	B14-49	071804	B12-19	071882	B14-41	071930	B14-51
071709	B14-49	071805	B12-19	071883	B14-41	071931	B14-51
071710	B14-49	071806	B12-19	071884	B14-41	071932	B14-51
071711	B14-49	071807	B12-19	071885	B14-41	071933	B14-51
071712	B14-49	071808	B12-19	071886	B14-41	071934	B14-51
071713	B14-49	071809	B12-19	071887	B14-41	071935	B14-51
071714	B14-49	071810	B12-19	071888	B14-41	071936	B14-51
071715	B14-49	071811	B12-19	071889	B14-41	071937	B14-51
071716	B14-49	071812	B12-19	071890	B14-41	071938	B14-51
071717	B14-49	071813	B12-19	071891	B14-41	071939	B14-51
071718	B14-49	071814	B12-19	071892	B14-41	071940	B12-21
071719	B14-49	071815	B12-19	071893	B14-41	071941	B12-21
071720	B14-49	071816	B12-19	071894	B14-41	071942	B12-21
071721	B14-49	071817	B12-19	071895	B14-41	071943	B12-21
071722	B14-49	071821	B12-27	071896	B14-41	071944	B12-21
071723	B14-49	071822	B12-27	071897	B14-41	071945	B12-21
071724	B14-49	071823	B12-27	071898	B14-41	071946	B12-21
071725	B14-49	071824	B12-27	071899	B14-41	071947	B12-21
071726	B14-49	071825	B12-27	071900	B14-41	071948	B12-21
071727	B14-49	071826	B12-27	071901	B14-41	071949	B12-21
071728	B14-49	071827	B12-27	071902	B14-41	071950	B12-21
071729	B14-49	071828	B12-27	071903	B14-41	071951	B12-21
071730	B14-49	071832	B12-27	071904	B14-41	071952	B12-21
071731	B14-49	071833	B12-27	071905	B14-41	071953	B12-21
071732	B14-49	071834	B12-27	071906	B14-51	071954	B12-21
071733	B14-49	071835	B12-27	071907	B14-51	071955	B12-21

Eccentric Collar Ball Bearings

Setcrew WSC Ball Bearing

Eccentric SXV Collar Ball Bearing

Take-Up Frames

Engineering

Part Number Index

Keyword Index

PART NUMBER INDEX



Part Number	Page	Part Number	Page	Part Number	Page	Part Number	Page
071956	B12-21	072017	B14-60	072214	B14-79	072264	B14-80
071957	B12-21	072018	B14-60	072215	B14-79	072265	B14-80
071958	B12-21	072019	B14-60	072216	B14-79	072266	B14-80
071959	B12-21	072020	B14-60	072217	B14-79	072267	B14-80
071960	B12-21	072170	B14-78	072218	B14-79	072268	B14-80
071961	B12-21	072171	B14-78	072219	B14-79	072269	B14-80
071962	B12-29	072172	B14-78	072220	B14-79	072270	B14-80
071963	B12-29	072173	B14-78	072221	B14-79	072271	B14-80
071964	B12-29	072174	B14-78	072222	B14-79	072272	B14-80
071965	B12-29	072175	B14-78	072223	B14-79	072273	B14-80
071966	B12-29	072176	B14-78	072224	B14-79	072274	B14-80
071967	B12-29	072177	B14-78	072225	B14-79	072275	B14-80
071968	B12-29	072178	B14-78	072226	B14-80	072276	B14-91
071969	B12-29	072179	B14-78	072227	B14-80	072277	B14-91
071970	B12-29	072180	B14-78	072228	B14-80	072278	B14-91
071971	B12-29	072181	B14-78	072229	B14-80	072279	B14-91
071972	B12-29	072182	B14-78	072230	B14-80	072280	B14-91
071973	B12-29	072183	B14-78	072231	B14-80	072281	B14-91
071974	B12-29	072184	B14-79	072232	B14-80	072282	B14-91
071975	B12-29	072185	B14-79	072233	B14-80	072283	B14-91
071976	B12-29	072186	B14-79	072234	B14-80	072284	B14-91
071977	B12-29	072187	B14-79	072235	B14-80	072285	B14-91
071983	B16-12	072188	B14-79	072237	B14-80	072286	B14-91
071984	B16-12	072189	B14-79	072238	B14-80	072287	B14-91
071985	B16-12	072190	B14-79	072239	B14-80	072288	B14-91
071986	B16-12	072191	B14-79	072240	B14-80	072289	B14-91
071987	B16-12	072192	B14-79	072241	B14-80	072290	B14-91
071988	B16-12	072193	B14-79	072242	B14-80	072291	B14-91
071989	B16-12	072194	B14-79	072243	B14-80	072292	B14-91
071990	B16-12	072195	B14-79	072244	B14-80	072293	B14-91
071991	B16-12	072196	B14-79	072245	B14-80	072294	B14-91
071992	B16-12	072197	B14-79	072246	B14-80	072295	B14-91
071993	B16-12	072198	B14-78	072247	B14-80	072296	B14-91
071994	B16-12	072199	B14-78	072248	B14-80	072297	B14-91
071995	B16-12	072200	B14-78	072249	B14-80	072298	B14-91
071996	B16-12	072201	B14-78	072250	B14-80	072299	B14-91
071997	B16-12	072202	B14-78	072251	B14-80	072300	B14-91
071998	B16-12	072203	B14-78	072252	B14-80	072301	B14-91
072000	B14-60	072204	B14-78	072253	B14-80	072302	B14-91
072001	B14-60	072205	B14-78	072254	B14-80	072303	B14-91
072002	B14-60	072206	B14-78	072255	B14-80	072304	B14-91
072003	B14-60	072207	B14-78	072256	B14-80	072305	B14-91
072004	B14-60	072208	B14-78	072257	B14-80	072306	B14-91
072005	B14-60	072209	B14-78	072258	B14-80	072307	B14-91
072006	B14-60	072210	B14-78	072259	B14-80	072308	B14-91
072014	B14-60	072211	B14-78	072260	B14-80	072309	B14-91
072015	B14-60	072212	B14-79	072262	B14-80	072310	B14-91
072016	B14-60	072213	B14-79	072263	B14-80	072311	B14-91



PART NUMBER INDEX

Part Number	Page	Part Number	Page	Part Number	Page	Part Number	Page
072312	B14-91	072361	B14-94	072410	B12-37	072573	B14-60
072313	B14-91	072362	B14-94	072411	B12-37	072574	B14-60
072314	B14-91	072363	B14-94	072412	B12-37	072575	B14-60
072315	B14-91	072364	B14-94	072413	B12-37	072688	B14-60
072316	B14-91	072365	B14-94	072490	B14-60	072690	B14-60
072317	B14-91	072366	B14-94	072492	B14-60	072692	B14-60
072318	B14-91	072367	B14-94	072500	B14-106	072693	B14-60
072319	B14-91	072368	B14-94	072501	B14-106	072706	B14-60
072320	B14-91	072369	B14-94	072502	B14-106	072708	B14-60
072321	B14-91	072370	B14-94	072503	B12-50, B14-106	072710	B14-60
072322	B14-91	072371	B14-94	072504	B12-50, B14-106	072711	B14-60
072323	B14-91	072372	B14-94	072505	B12-50, B14-106	072742	B14-60
072324	B14-91	072373	B14-94	072506	B12-50, B14-106	072744	B14-60
072325	B14-91	072374	B14-94	072507	B14-106	072746	B14-60
072326	B14-91	072375	B14-94	072508	B12-50, B14-106	072747	B14-60
072327	B14-91	072376	B14-94	072509	B12-50, B14-106	072771	B14-60
072328	B14-91	072377	B14-94	072510	B12-50, B14-106	072772	B14-60
072329	B14-91	072378	B14-94	072511	B14-106	072786	B14-60
072330	B14-91	072379	B14-94	072512	B12-50, B14-106	072789	B14-60
072331	B14-91	072380	B14-94	072513	B12-50, B14-106	072791	B14-60
072332	B14-91	072382	B14-94	072514	B12-50, B14-106	072792	B14-60
072333	B14-91	072383	B14-94	072515	B14-106	072820	B14-60
072334	B14-91	072384	B14-94	072516	B14-106	072822	B14-60
072335	B14-91	072385	B14-94	072517	B14-106	072831	B14-60
072336	B14-91	072386	B12-37	072518	B12-50, B14-106	072833	B14-60
072337	B14-91	072387	B12-37	072519	B14-106	072835	B14-60
072338	B14-94	072388	B12-37	072520	B12-50, B14-106	072836	B14-60
072339	B14-94	072389	B12-37	072521	B14-106	072857	B14-60
072340	B14-94	072390	B12-37	072522	B12-50, B14-106	072859	B14-60
072341	B14-94	072391	B12-37	072523	B12-50, B14-106	072895	B14-65, B16-20
072342	B14-94	072392	B12-37	072524	B14-106	072896	B14-65, B16-20
072343	B14-94	072393	B12-37	072525	B14-106	072897	B14-65, B16-20
072344	B14-94	072394	B12-37	072526	B12-50, B14-106	072898	B14-65, B16-20
072345	B14-94	072395	B12-37	072527	B14-106	072899	B14-65, B16-20
072346	B14-94	072396	B12-37	072528	B14-106	072900	B14-65, B16-20
072347	B14-94	072397	B12-37	072529	B12-50, B14-106	072901	B14-65, B16-20
072348	B14-94	072398	B12-37	072530	B14-106	072902	B14-65, B16-20
072349	B14-94	072399	B12-37	072531	B14-106	072903	B14-65, B16-20
072350	B14-94	072400	B12-37	072532	B12-50	072904	B14-65, B16-20
072351	B14-94	072401	B12-37	072533	B14-106	072905	B14-65, B16-20
072352	B14-94	072402	B12-37	072534	B14-106	072906	B14-65, B16-20
072353	B14-94	072403	B12-37	072535	B12-50	072907	B14-65, B16-20
072354	B14-94	072404	B12-37	072536	B14-106	072910	B14-60
072355	B14-94	072405	B12-37	072564	B14-60	072911	B14-60
072356	B14-94	072406	B12-37	072565	B14-60	072912	B14-65, B16-20
072358	B14-94	072407	B12-37	072566	B14-60	072913	B14-65, B16-20
072359	B14-94	072408	B12-37	072567	B14-60	072914	B14-65, B16-20
072360	B14-94	072409	B12-37	072572	B14-60	072915	B14-65, B16-20

Eccentric Collar Ball Bearings

Setcrew WSC Ball Bearing

Eccentric SXV Collar Ball Bearing

Take-Up Frames

Engineering

Part Number Index

Keyword Index

PART NUMBER INDEX



Part Number	Page	Part Number	Page	Part Number	Page	Part Number	Page
072916	B14-65, B16-20	073651	B2-56	074818	B6-28	076004	B3-8
072917	B14-65, B16-20	073662	B4-34	074828	B4-99	076005	B3-8, B3-14
072918	B14-65, B16-20	073669	B4-50	074867	B14-58	076006	B3-8
072919	B14-65, B16-20	073687	B6-50	074868	B14-58	076007	B3-8
072920	B14-65, B16-20	073724	B4-16	074926	B4-24	076008	B3-10
072921	B14-65, B16-20	073753	B6-28	074935	B4-74	076009	B3-10
072922	B14-65, B16-20	073769	B4-56	074989	B16-14	076010	B3-10
072923	B14-65, B16-20	073772	B4-100	075014	B4-90	076011	B3-10
072924	B14-65, B16-20	073793	B4-74	075020	B4-62	076012	B3-10
072954	B14-60	073848	B6-22	075045	B6-12	076014	B3-10
072955	B14-60	073849	B5-28	075048	B6-16	076015	B3-10
072958	B14-60	073850	B5-28	075049	B6-16	076016	B3-10
072959	B14-60	073911	B4-62	075051	B6-16	076017	B3-16
072962	B14-60	073914	B6-22	075052	B6-16	076018	B3-16
072963	B14-60	073924	B6-12	075096	B2-46	076019	B3-16
072966	B14-60	073926	B6-12	075105	B4-26	076020	B3-16
072967	B14-60	073938	B14-58	075153	B6-46	076021	B3-16
073006	B4-100	073950	B4-60	075154	B16-14	076022	B3-16
073007	B2-24	073960	B5-12	075221	B5-28	076023	B3-16
073008	B2-30	073970	B4-70	075222	B5-28	076024	B3-16
073065	B4-100	073992	B4-18	075248	B2-31	076025	B3-16
073069	B6-52	074008	B4-59	075262	B4-28	076026	B3-16
073070	B14-58	074017	B5-34	075286	B6-51	076027	B3-16
073071	B14-58	074115	B14-60	075306	B14-58	076028	B3-16
073072	B6-31	074117	B14-60	075313	B5-44	076029	B3-16
073139	B4-50	074162	B4-12	075314	B5-44	076030	B3-16
073222	B5-28	074163	B6-44	075329	B4-16	076031	B3-17
073224	B2-64	074223	B4-99	075431	B14-58	076032	B3-17
073279	B6-34	074237	B4-100	075432	B14-58	076033	B3-17
073280	B4-100	074254	B6-50	075444	B14-58	076034	B3-17
073282	B4-12	074287	B4-48	075489	B5-32	076035	B3-17
073287	B4-84	074288	B4-48	075524	B6-54	076036	B3-17
073304	B6-22	074308	B6-46	075546	B3-8	076037	B3-17
073332	B6-53	074353	B5-14	075676	B5-28	076038	B3-17
073338	B6-36	074372	B6-42	075677	B5-28	076039	B3-18
073358	B4-24	074381	B4-28	075679	B5-38	076040	B3-18
073381	B4-14	074396	B4-40	075697	B3-18	076041	B3-18
073396	B2-31	074505	B4-88	075700	B5-36	076042	B3-18
073406	B2-54	074512	B2-26	075714	B4-90, B4-94	076043	B3-18
073416	B4-28	074530	B4-99	075728	B6-54	076044	B3-18
073418	B4-24	074593	B6-12	075765	B4-54	076045	B3-18
073430	B4-72	074613	B14-58	075775	B3-21	076046	B3-20
073479	B6-22	074614	B14-58	075792	B5-44	076047	B3-20
073492	B4-42	074631	B2-26	075913	B2-35	076048	B3-20
073561	B14-56	074632	B2-64	076000	B3-8	076049	B3-20
073562	B14-56	074714	B4-54	076001	B3-8	076050	B3-20
073634	B4-90, B4-94	074781	B6-34	076002	B3-8	076051	B3-20
073638	B2-56	074782	B6-34	076003	B3-8	076052	B3-20



PART NUMBER INDEX

Part Number	Page	Part Number	Page	Part Number	Page	Part Number	Page
076053	B3-20	076101	B3-32	076149	B3-19	076197	B3-32, B3-36
076054	B3-20	076102	B3-32	076150	B3-22	076198	B3-36
076055	B3-21	076103	B3-32	076151	B3-22	076199	B3-36
076056	B3-21	076104	B3-32	076152	B3-22	076200	B3-32, B3-36
076057	B3-21	076105	B3-32	076153	B3-22	076201	B3-36
076058	B3-21	076106	B3-32	076154	B3-22	076202	B3-36
076059	B3-21	076107	B3-32	076155	B3-22	076203	B3-36
076060	B3-21	076108	B3-38	076156	B3-22	076204	B3-40
076061	B3-21	076109	B3-38	076157	B3-21, B3-22	076205	B3-40
076062	B3-21	076110	B3-38	076158	B3-22	076206	B3-40
076063	B3-23	076111	B3-38	076159	B3-22	076207	B3-40
076064	B3-23	076112	B3-38	076160	B3-21, B3-22	076208	B3-40
076065	B3-23, B3-24	076113	B3-38, B3-40	076161	B3-22	076209	B3-40
076066	B3-23	076114	B3-38	076162	B3-22	076210	B3-40
076067	B3-23	076115	B3-38	076163	B3-22, B3-23	076211	B3-39, B3-40
076068	B3-23	076116	B3-39, B3-40	076164	B3-22	076212	B3-40
076069	B3-23	076117	B3-39	076165	B3-22	076213	B3-40
076070	B3-23	076118	B3-39	076166	B3-24	076214	B3-39, B3-40
076071	B3-23	076119	B3-39	076167	B3-24	076215	B3-40
076072	B3-23	076120	B3-39	076168	B3-24	076216	B3-40
076073	B3-23	076121	B3-39	076169	B3-24	076217	B3-40
076074	B3-23	076122	B3-39	076170	B3-24	076218	B3-40
076075	B3-23	076123	B3-39	076171	B3-24	076219	B3-40
076076	B3-25	076124	B3-39	076172	B3-24	076220	B3-8
076077	B3-25	076125	B3-14	076173	B3-24	076221	B3-8
076078	B3-25	076126	B3-14	076174	B3-24	076222	B3-8
076079	B3-25	076127	B3-14	076175	B3-24	076223	B3-8
076080	B3-25	076128	B3-14	076176	B3-23, B3-24	076224	B3-10
076081	B3-25, B3-28	076129	B3-14	076177	B3-24	076225	B3-10
076082	B3-25	076130	B3-14	076178	B3-24	076226	B3-10
076083	B3-25	076131	B3-14	076179	B3-24	076227	B3-10
076084	B3-26	076132	B3-10, B3-14	076180	B3-24	076228	B3-10
076085	B3-26	076133	B3-10, B3-14	076181	B3-28	076229	B3-10
076086	B3-26	076134	B3-14	076182	B3-28	076230	B3-10
076087	B3-26	076135	B3-10, B3-14	076183	B3-28	076231	B3-16
076088	B3-26	076136	B3-14	076184	B3-28	076232	B3-16
076089	B3-26	076137	B3-14	076185	B3-28	076233	B3-16
076090	B3-26	076138	B3-14	076186	B3-28	076234	B3-16
076091	B3-30	076139	B3-14	076187	B3-28	076235	B3-16
076092	B3-30	076140	B3-14	076188	B3-26, B3-28	076236	B3-16
076093	B3-30	076141	B3-19	076189	B3-28	076237	B3-16
076094	B3-30	076142	B3-19	076190	B3-34	076238	B3-16
076095	B3-30	076143	B3-19	076191	B3-34	076239	B3-17
076096	B3-30, B3-34	076144	B3-19	076192	B3-34	076240	B3-17
076097	B3-30	076145	B3-19	076193	B3-34	076241	B3-17
076098	B3-30	076146	B3-19	076194	B3-34	076242	B3-17
076099	B3-30	076147	B3-19	076195	B3-34	076243	B3-18
076100	B3-32	076148	B3-18, B3-19	076196	B3-36	076244	B3-18

PART NUMBER INDEX



Part Number	Page	Part Number	Page	Part Number	Page	Part Number	Page
076245	B3-18	076294	B3-39	076343	B3-36	077208	B10-39
076246	B3-20	076295	B3-39	076344	B3-40	077209	B10-39
076247	B3-20	076296	B3-14	076346	B3-40	077210	B10-39
076248	B3-20	076297	B3-14	076347	B3-40	077211	B10-39
076249	B3-20	076298	B3-14	076348	B3-40	077212	B10-39
076250	B3-20	076299	B3-14	076349	B3-40	077213	B10-39
076251	B3-21	076300	B3-14	076350	B3-40	077214	B10-39
076252	B3-21	076301	B3-14	076351	B3-40	077215	B10-39
076253	B3-21	076302	B3-14	076352	B3-40	077216	B10-39
076254	B3-21	076303	B3-14	076353	B3-40	077217	B10-39
076255	B3-21	076304	B3-14	076354	B3-40	077218	B10-39
076256	B3-21	076305	B3-14	076410	B3-28	077219	B10-39
076257	B3-23	076306	B3-14	076411	B3-28	077220	B10-39
076258	B3-23	076307	B3-19	076412	B3-28	077221	B10-34
076259	B3-23	076308	B3-19	076413	B3-28	077222	B10-34
076260	B3-23	076309	B3-19	076414	B3-28	077223	B10-34
076261	B3-23	076310	B3-19	076415	B3-28	077224	B10-34
076262	B3-23	076311	B3-19	076416	B3-28	077225	B10-34
076263	B3-23	076312	B3-19	076545	B3-12	077226	B10-34
076264	B3-23	076313	B3-22	076548	B6-22	077227	B10-34
076265	B3-25	076314	B3-22	076558	B4-100	077228	B10-34
076266	B3-25	076315	B3-22	076584	B2-32	077229	B10-34
076267	B3-25	076316	B3-22	076602	B4-38	077230	B10-34
076268	B3-25	076317	B3-22, B3-24	076608	B6-34	077231	B10-34
076269	B3-26	076318	B3-22	076609	B4-58	077232	B10-34
076270	B3-26	076319	B3-22	076648	B3-22	077233	B10-34
076271	B3-26	076320	B3-22	076649	B3-21	077234	B10-34
076272	B3-26	076321	B3-22	076670	B16-14	077235	B10-34
076273	B3-26	076322	B3-22	076714	B6-16	077236	B10-34
076274	B3-30	076323	B3-22	076763	B5-14	077237	B10-34
076275	B3-30	076324	B3-24	076777	B6-46	077238	B10-34
076276	B3-30	076325	B3-24	076841	B2-56	077239	B10-34
076277	B3-30	076326	B3-24	077192	B10-39	077240	B10-34
076278	B3-30	076328	B3-24	077193	B10-39	077241	B10-34
076279	B3-32	076329	B3-24	077194	B10-39	077242	B10-34
076280	B3-32	076330	B3-24	077195	B10-39	077243	B10-34
076281	B3-32	076331	B3-24	077196	B10-39	077244	B10-34
076282	B3-32	076332	B3-24	077197	B10-39	077245	B10-34
076283	B3-32	076333	B3-24	077198	B10-39	077246	B10-34
076284	B3-32	076334	B3-34	077199	B10-39	077247	B10-34
076286	B3-38	076335	B3-34	077200	B10-39	077248	B10-34
076287	B3-38, B3-40	076336	B3-34	077201	B10-39	077249	B10-34
076288	B3-38	076337	B3-34	077202	B10-39	077250	B10-34
076289	B3-39	076338	B3-34	077203	B10-39	077251	B10-34
076290	B3-39	076339	B3-36	077204	B10-39	077252	B10-34
076291	B3-39	076340	B3-36	077205	B10-39	077253	B10-34
076292	B3-39	076341	B3-36	077206	B10-39	077254	B10-34
076293	B3-39	076342	B3-36	077207	B10-39	077255	B10-34

Eccentric Collar Ball Bearing

Setscrew VSC Ball Bearing

Eccentric SXV Collar Ball Bearing

Take-Up Frames

Engineering

Part Number Index

Keyword Index



PART NUMBER INDEX

Part Number	Page	Part Number	Page	Part Number	Page	Part Number	Page
077256	B10-34	077453	B3-12	077993	B4-97	087268	B11-9
077257	B10-34	077458	B14-58	077995	B4-97	087269	B11-9
077258	B10-34	077462	B3-26	077996	B4-97	089020	B19-37
077259	B10-34	077471	B5-18	079991	B16-17	089021	B19-37
077260	B10-34	077473	B14-58	079992	B16-17	089022	B19-37
077261	B10-34	077481	B16-14	079993	B16-17	089023	B19-37
077262	B10-34	077561	B14-58	087172	B11-9	089024	B19-37
077263	B10-34	077646	B14-56	087178	B11-9	089025	B19-37
077264	B10-34	077647	B14-56	087180	B11-9	089026	B19-37
077265	B10-34	077648	B14-56	087181	B11-9	089027	B19-37
077266	B10-34	077649	B14-56	087182	B11-9	089028	B19-37
077267	B10-36	077650	B14-56	087183	B11-9	089029	B19-37
077268	B10-36	077651	B14-56	087184	B11-9	089030	B19-37
077269	B10-36	077652	B14-58	087185	B11-9	089031	B19-37
077270	B10-36	077660	B14-58	087186	B11-9	089032	B19-37
077271	B10-36	077661	B14-58	087187	B11-9	089033	B19-37
077272	B10-36	077662	B14-58	087188	B11-11	089034	B19-37
077273	B10-36	077773	B3-18	087189	B11-11	089035	B19-37
077274	B10-36	077777	B4-26	087190	B11-11	089036	B19-37
077275	B10-36	077897	B14-58	087191	B11-11	089037	B19-37
077276	B10-36	077921	B4-97	087192	B11-11	089038	B19-37
077277	B10-36	077923	B4-97	087193	B11-11	089039	B19-37
077278	B10-36	077940	B4-97	087194	B11-14	089040	B19-37
077279	B10-36	077941	B4-97	087195	B11-14	089041	B19-37
077280	B10-36	077942	B4-97	087196	B11-14	089042	B19-37
077281	B10-36	077943	B4-97	087197	B11-14	089043	B19-37
077282	B10-36	077944	B4-97	087198	B11-14	089044	B19-37
077283	B10-36	077945	B4-97	087199	B11-14	089045	B19-37
077284	B10-36	077946	B4-97	087200	B11-14	089046	B19-37
077285	B10-36	077947	B4-97	087205	B11-14	089047	B19-37
077286	B10-36	077948	B4-97	087207	B11-14	089048	B19-37
077287	B10-36	077949	B4-97	087209	B11-14	089150	B19-37
077288	B10-36	077950	B4-97	087210	B11-14	089151	B19-37
077289	B10-36	077957	B4-97	087211	B11-14	089152	B19-37
077290	B10-36	077958	B4-97	087212	B11-14	089153	B19-37
077291	B10-36	077959	B4-97	087215	B11-14	089154	B19-37
077292	B10-36	077960	B4-97	087218	B11-14	089155	B19-37
077293	B10-36	077976	B4-97	087220	B11-14	089156	B19-37
077294	B10-36	077977	B4-97	087221	B11-14	089600	B19-37
077295	B10-36	077978	B4-97	087222	B11-14	089601	B19-37
077296	B10-36	077979	B4-97	087224	B11-14	089602	B19-37
077297	B10-36	077980	B4-97	087225	B11-14	089603	B19-37
077298	B10-36	077981	B4-97	087262	B11-9	089604	B19-37
077299	B10-36	077982	B4-97	087263	B11-9	089782	B19-15
077300	B10-36	077983	B4-97	087264	B11-9	089783	B19-15
077416	B5-12	077984	B4-97	087265	B11-9	089784	B19-15
077417	B5-12	077985	B4-97	087266	B11-9	089785	B19-15
077418	B3-16	077986	B4-97	087267	B11-9	089786	B19-15

Eccentric Collar Ball Bearings
 Setscrew WSC Ball Bearing
 Eccentric SXV Collar Ball Bearing
 Take-Up Frames
 Engineering
 Part Number Index
 Keyword Index

PART NUMBER INDEX



Part Number	Page	Part Number	Page	Part Number	Page	Part Number	Page
089787	B19-15	104041	B11-13	123170	B4-12	123364	B4-94
089788	B19-15	104042	B11-13	123171	B4-20	123365	B4-94
089789	B19-15	104043	B11-13	123172	B4-34	123366	B4-94
089790	B19-15	104044	B11-13	123173	B4-54	123367	B4-94
089791	B19-15	104045	B11-13	123174	B4-70	123368	B4-88
089792	B19-15	104046	B11-13	123175	B4-74	123409	B2-42
089793	B19-15	104050	B11-13	123176	B4-86	123413	B2-42
089794	B19-15	104051	B11-13	123177	B4-87	123419	B4-94
089795	B19-15	104052	B11-13	123183	B4-16	123420	B4-94
089796	B19-15	104053	B11-13	123184	B4-38	123460	B2-42
089797	B19-15	104054	B11-13	123234	B2-42	123469	B4-88
089798	B19-15	104055	B11-13	123235	B8-24	123580	B8-8
089799	B19-15	104056	B11-13	123326	B4-90	123581	B8-8
089800	B19-15	104078	B11-13	123328	B4-88, B4-97	123582	B8-8
089801	B19-15	104090	B11-13	123329	B4-88, B4-97	123583	B8-10
089802	B19-15	104106	B11-13	123330	B4-88	123584	B8-10
089803	B19-15	104119	B11-13	123331	B4-88	123585	B8-10
089804	B19-15	104160	B11-36	123332	B4-88	123586	B8-10
093733	B4-36	104161	B11-36	123333	B4-88	123587	B8-10
104003	B11-36	104162	B11-36	123334	B4-88	123588	B8-10
104006	B11-36	104164	B11-36	123335	B4-88	123589	B4-20, B8-8
104010	B11-36	104169	B11-36	123336	B4-88	123590	B8-8
104013	B11-36	104170	B11-36	123337	B4-88	123593	B8-10
104016	B11-36	104172	B11-36	123338	B4-88	123595	B8-12
104017	B11-36	104173	B11-36	123339	B4-88, B4-94	123596	B8-12
104018	B11-36	104176	B11-36	123340	B4-88	123597	B8-12
104019	B11-36	104177	B11-36	123341	B4-88	123598	B8-12
104020	B11-36	104181	B11-36	123342	B4-90, B4-94	123599	B8-12
104021	B11-36	104195	B11-36	123343	B4-90	123600	B8-12
104022	B11-36	104196	B11-36	123344	B4-90	123601	B8-12
104023	B11-36	104197	B11-36	123345	B4-90	123602	B8-12
104024	B11-36	104199	B11-36	123346	B4-90	123603	B8-12
104025	B11-36	104204	B11-36	123347	B4-90	123604	B8-8
104026	B11-36	104205	B11-36	123348	B4-90	123605	B8-12
104027	B11-36	104207	B11-36	123349	B4-90	123606	B8-8
104028	B11-36	104208	B11-36	123350	B4-90	123607	B8-12
104029	B11-36	104211	B11-36	123352	B4-90	123610	B8-14
104030	B11-36	104212	B11-36	123353	B4-94	123611	B8-14
104031	B11-36	104216	B11-36	123354	B4-94	123612	B8-14
104032	B11-36	123069	B2-42	123355	B4-94	123613	B8-14
104033	B11-36	123070	B2-42	123356	B4-94	123614	B8-14
104034	B11-36	123071	B2-42	123357	B4-94	123615	B8-14
104035	B11-36	123072	B2-42	123358	B4-90, B4-94	123616	B8-14
104036	B11-36	123073	B2-42	123359	B4-94	123617	B8-14
104037	B11-36	123074	B2-42	123360	B4-90, B4-94	123618	B8-14
104038	B11-36	123075	B2-42	123361	B4-94	123619	B8-14
104039	B11-36	123076	B2-42	123362	B4-90, B4-94	123625	B8-16
104040	B11-13	123077	B2-42	123363	B4-94	123626	B8-16



PART NUMBER INDEX

Part Number	Page	Part Number	Page	Part Number	Page	Part Number	Page
123627	B8-16	123765	B4-62	123862	B4-20	123987	B4-14
123628	B8-16	123766	B4-62	123863	B4-20	124034	B4-36
123629	B8-16	123767	B4-62	123864	B4-20	124048	B4-54
123630	B8-16	123768	B4-62	123865	B4-20	124049	B4-54
123631	B8-16	123769	B4-62	123866	B4-20	124098	B4-54
123632	B8-16	123781	B4-12	123867	B4-20	124099	B4-54
123633	B8-16	123782	B4-14	123868	B4-20	124100	B4-54
123634	B8-16	123783	B4-14	123869	B4-20	124101	B4-54
123636	B4-14	123784	B4-14	123870	B4-20	124102	B4-54
123652	B8-16	123790	B4-16	123871	B4-20	124103	B4-54
123680	B8-18	123792	B4-12	123872	B4-20	124148	B4-87
123693	B4-22	123793	B4-14	123873	B4-20	124149	B4-87
123694	B8-14	123803	B4-12	123874	B4-20	124166	B4-34
123725	B4-16, B4-22	123804	B4-12	123875	B4-20	124167	B4-34
123727	B4-20	123805	B4-12	123877	B4-12	124170	B4-34
123728	B4-14	123806	B4-12	123878	B4-12	124171	B4-34
123730	B4-38	123807	B4-12	123879	B4-12	124172	B4-34
123731	B4-38	123808	B4-12	123894	B4-12	124173	B4-34
123732	B4-38	123809	B4-12	123903	B4-16	124174	B4-34
123733	B4-38, B4-44	123810	B4-12, B4-24, B4-26	123904	B4-16	124175	B4-34
123734	B4-38	123811	B4-12	123905	B4-16	124176	B4-34
123735	B4-39	123812	B4-12	123906	B4-16	124198	B4-34
123736	B4-39	123813	B4-12	123907	B4-16, B4-28	124199	B4-34
123737	B4-39	123814	B4-14	123908	B4-16	124204	B4-54
123738	B4-39	123815	B4-14	123909	B4-18	124205	B4-54
123740	B4-58	123816	B4-14	123910	B4-18	124206	B4-54, B4-60
123741	B4-58	123817	B4-14	123911	B4-18	124207	B4-54
123742	B4-58	123818	B4-14	123912	B4-18	124208	B4-54
123743	B4-58, B4-62	123819	B4-14	123913	B4-18	124209	B4-56
123744	B4-58	123820	B4-14	123914	B4-18	124210	B4-56
123745	B4-58	123821	B4-14	123915	B4-18	124211	B4-56
123746	B4-59	123822	B4-14	123916	B4-16	124212	B4-56
123747	B4-59	123823	B4-14	123918	B4-22	124213	B4-56
123748	B4-59	123824	B4-12	123919	B4-16	124214	B4-56
123749	B4-59	123828	B4-12	123932	B4-12	124215	B4-56
123750	B4-59	123829	B4-14	123933	B4-12, B4-26	124216	B4-56
123751	B4-59	123830	B4-12, B4-20	123936	B4-22	124217	B4-56
123753	B4-12	123831	B4-12, B4-20	123938	B4-22	124218	B4-54
123754	B4-12	123835	B4-12	123939	B4-14	124219	B4-54
123755	B4-44	123836	B4-12	123958	B4-16, B4-22	124220	B4-56
123756	B4-44	123839	B4-14	123959	B4-22	124224	B4-66, B4-68
123757	B4-44	123854	B4-20	123960	B4-22	124225	B4-66
123758	B4-44	123855	B4-20	123961	B4-22	124226	B4-66
123760	B4-62	123856	B4-20	123962	B4-22	124227	B4-66
123761	B4-62	123857	B4-20	123963	B4-22	124228	B4-66
123762	B4-62	123858	B4-20	123964	B4-22	124229	B4-66
123763	B4-62	123860	B4-20	123965	B4-22	124230	B4-66
123764	B4-62	123861	B4-20	123966	B4-22	124231	B4-66

PART NUMBER INDEX



Part Number	Page	Part Number	Page	Part Number	Page	Part Number	Page
124232	B4-66	124423	B4-86	124602	B4-52	124665	B4-46
124233	B4-66	124424	B4-86	124603	B4-52	124666	B4-46
124235	B4-66	124427	B4-87	124604	B4-52	124667	B4-46
124236	B4-66	124428	B4-87	124605	B4-52	124668	B4-46
124237	B4-66	124429	B4-87	124606	B4-52	124669	B4-46
124240	B4-86	124430	B4-87	124607	B4-52	124670	B4-46
124242	B4-86	124435	B4-50	124608	B4-52	124671	B4-46
124244	B4-38	124436	B4-50	124609	B4-52	124672	B4-46
124245	B4-86	124437	B4-50	124610	B4-52	124673	B4-46
124246	B4-58	124438	B4-50	124611	B4-52	124676	B9-18
124250	B4-87	124439	B4-50	124612	B4-52	124677	B9-18
124251	B4-87	124440	B4-50	124613	B4-52	124678	B9-18
124253	B4-87	124441	B4-50	124614	B4-34	124697	B9-18
124256	B4-34	124442	B4-50	124618	B4-34	124729	B4-66
124261	B4-56	124443	B4-50	124620	B4-52	124748	B9-18
124268	B4-36	124444	B4-50	124621	B4-52	124749	B9-18
124269	B4-36	124445	B4-50	124622	B4-52	124785	B4-34
124270	B4-36	124446	B4-50	124623	B4-52	124794	B4-39
124274	B4-34	124447	B4-50	124624	B4-52	124872	B4-18
124275	B4-34	124448	B4-50	124625	B4-52	124931	B2-42
124276	B4-34, B4-42	124450	B4-50	124626	B4-52	124932	B2-42
124277	B4-34	124460	B4-32	124627	B4-52	124933	B8-10
124278	B4-34	124461	B4-32	124628	B4-52	124934	B4-52
124279	B4-36	124462	B4-32	124629	B4-52	124941	B4-20
124280	B4-36	124463	B4-32	124630	B4-52	124942	B4-36
124282	B4-36	124464	B4-32	124631	B4-52	124943	B4-20
124290	B4-84	124465	B4-32	124632	B4-52	124944	B4-20
124291	B4-84	124466	B4-32	124633	B4-52	124996	B4-84
124292	B4-84	124467	B4-32	124634	B9-22	125004	B2-42
124293	B4-84	124468	B4-32	124640	B4-46	125005	B2-42
124299	B4-84	124469	B4-32	124641	B4-46	125010	B4-74
124373	B4-36	124470	B4-32	124642	B4-46	125011	B4-74
124393	B4-86	124471	B4-32	124643	B4-46	125012	B4-74
124394	B4-87	124472	B4-32	124644	B4-46	125050	B4-70
124395	B4-59	124473	B4-32	124645	B4-46	125051	B4-70
124404	B4-84	124474	B9-12	124646	B4-46	125052	B4-70
124405	B4-84	124478	B4-32	124647	B4-46	125054	B4-70
124406	B4-84	124479	B4-32	124648	B4-46	125071	B4-76
124408	B4-84	124480	B4-32	124649	B4-46	125113	B4-74
124409	B4-84	124567	B4-54	124650	B4-46	125114	B4-74
124410	B4-34	124578	B4-66	124651	B4-46	125115	B4-76
124411	B4-34	124579	B4-66	124652	B4-46	125116	B4-76
124412	B4-36	124582	B4-66	124653	B4-46	125117	B4-76
124413	B4-36	124587	B4-66	124660	B4-46	125118	B4-76
124419	B4-84	124590	B9-22	124661	B4-46	125119	B4-76
124420	B4-86	124591	B9-22	124662	B4-46	125120	B4-74
124421	B4-86	124600	B4-52	124663	B4-46	125121	B4-76
124422	B4-86	124601	B4-52	124664	B4-46	125151	B4-76

Eccentric Collar Ball Bearing

Setscrew VSC Ball Bearing

Eccentric SXV Collar Ball Bearing

Take-Up Frames

Engineering

Part Number Index

Keyword Index



PART NUMBER INDEX

Part Number	Page	Part Number	Page	Part Number	Page	Part Number	Page
125153	B4-70	125511	B8-12	125560	B8-22	125669	B7-28
125154	B4-70, B4-73	125512	B8-12	125561	B8-22	125670	B7-28
125155	B4-70	125513	B8-8	125562	B8-22	125671	B7-28
125156	B4-72	125514	B8-8	125563	B8-22	125672	B7-28
125157	B4-72	125515	B8-8	125564	B8-22	125673	B7-28
125158	B4-72	125516	B8-14	125565	B8-22	125674	B7-28
125159	B4-72	125517	B8-14	125625	B7-40	125675	B7-28
125160	B4-72	125518	B8-14	125626	B7-40	125676	B7-28
125162	B4-72	125519	B8-14	125627	B7-40	125677	B7-24
125169	B4-14, B4-26	125520	B8-14	125628	B7-40	125678	B7-24
125170	B4-56, B4-60	125521	B8-14	125629	B7-40	125679	B7-24
125171	B4-36, B4-42	125522	B8-14	125630	B7-40	125680	B7-24
125328	B4-70	125523	B8-14	125631	B7-40	125681	B7-24
125329	B4-70	125524	B8-16	125632	B7-40	125682	B7-24
125343	B4-74	125525	B8-16	125633	B7-40	125683	B7-24
125344	B4-74	125526	B8-16	125634	B7-40	125684	B7-24
125355	B4-74	125527	B8-16	125635	B7-40	125685	B8-8
125356	B4-74	125528	B8-16	125636	B4-97, B8-24	125686	B8-8
125357	B4-74	125529	B8-16, B9-16	125637	B8-24	125687	B8-8
125358	B4-74	125530	B8-16	125638	B8-24	125688	B8-8
125359	B4-74	125531	B8-16	125639	B8-24	125689	B8-10
125360	B4-74, B4-78	125533	B8-18	125640	B8-24	125690	B8-12
125361	B4-74	125534	B8-18	125641	B8-24	125691	B8-10
125362	B4-76	125535	B8-18	125642	B8-24	125692	B8-10
125363	B4-76	125536	B8-18	125643	B8-24	125693	B8-10
125364	B4-76	125537	B8-18	125644	B9-34	125694	B8-16
125365	B4-70	125538	B8-18	125645	B9-34	125695	B8-16
125366	B4-70	125539	B8-18	125646	B9-34	125696	B8-16
125367	B4-70	125540	B8-18	125647	B9-34	125697	B8-16
125368	B4-70	125541	B8-18	125648	B9-34	125698	B8-16
125369	B4-70	125542	B8-18	125649	B9-34	125699	B8-16
125370	B4-72	125543	B8-18	125650	B9-34	125700	B8-16
125371	B4-72	125544	B8-18	125651	B9-34	125701	B8-16
125372	B4-72	125545	B8-18	125652	B9-34	125702	B8-16
125373	B4-72	125546	B8-18	125655	B7-12	125703	B8-14
125378	B4-70	125547	B8-18	125656	B7-12	125704	B8-14
125384	B4-52	125548	B8-18	125657	B7-12	125705	B8-14
125500	B8-8, B8-12	125549	B8-20	125658	B7-12	125706	B8-14
125501	B8-8, B8-12	125550	B8-20	125659	B7-12	125707	B8-14
125502	B8-8	125551	B8-20	125660	B7-18	125708	B8-14
125503	B8-8	125552	B8-20	125661	B7-14	125709	B8-14
125504	B8-8	125553	B8-20	125662	B7-14	125710	B8-14
125505	B8-10	125554	B8-20	125663	B7-14	125711	B9-6
125506	B8-10	125555	B8-20	125664	B7-14	125712	B9-6
125507	B8-12	125556	B8-20	125665	B7-14	125713	B9-6
125508	B8-12	125557	B8-20	125666	B7-28	125714	B9-6
125509	B8-12	125558	B8-20	125667	B7-28	125715	B9-6
125510	B8-12	125559	B8-22	125668	B7-28	125716	B9-10

PART NUMBER INDEX



Part Number	Page	Part Number	Page	Part Number	Page	Part Number	Page
125717	B9-8	125851	B4-12	125906	B4-72	125972	B4-60
125718	B9-8	125852	B4-12	125907	B4-72	125973	B4-60
125719	B9-8	125853	B4-12	125908	B4-72	125974	B4-60
125720	B9-24	125854	B4-12	125910	B4-74	125975	B4-60
125721	B9-24	125855	B4-12	125911	B4-74	125980	B4-73
125722	B9-24	125856	B4-20	125912	B4-74	125981	B4-73
125723	B9-24	125857	B4-14	125913	B4-74	125982	B4-73
125724	B9-24	125858	B4-14	125914	B4-74	125983	B4-73
125725	B9-24	125859	B4-14	125915	B4-76	125984	B4-73
125726	B9-24	125860	B4-14	125916	B4-76	125985	B4-73
125727	B9-24	125861	B4-14	125917	B4-76	125986	B4-73
125728	B9-24	125862	B4-14	125918	B4-76	125989	B4-78
125730	B9-16	125865	B4-66	125919	B4-76	125990	B4-78
125731	B9-16	125866	B4-66	125925	B4-24, B4-26	125991	B4-78
125732	B9-16	125867	B4-66	125926	B4-24, B4-26	125992	B4-78
125733	B9-16	125868	B4-66	125927	B4-24	125993	B4-78
125734	B9-16	125869	B4-66	125928	B4-26	125994	B4-80
125735	B9-16	125870	B4-66	125929	B4-24, B4-26	125995	B4-80
125736	B9-16	125871	B4-66	125930	B4-24, B4-26	125996	B4-80
125737	B9-16	125872	B4-66	125931	B4-24, B4-26	125997	B4-80
125751	B8-8	125873	B2-42	125932	B4-26	125998	B4-80
125752	B8-14	125874	B2-42	125933	B4-26	126042	B4-36
125760	B4-20	125875	B4-34	125934	B4-26	126049	B4-84
125768	B4-20	125876	B4-34	125935	B4-26	126102	B4-34
125800	B4-88, B4-97	125877	B4-34	125937	B4-26	126110	B4-28
125802	B4-88	125878	B4-34	125940	B4-68	126112	B4-28
125804	B4-88	125879	B4-34	125941	B4-68	126121	B5-50
125806	B4-88	125880	B4-36	125942	B4-68	126147	B4-24, B4-26
125808	B4-88	125881	B4-36	125943	B4-68	126148	B4-26
125810	B4-90	125882	B4-36	125944	B4-68	126167	B4-68
125812	B4-90	125885	B4-54	125945	B4-68	126168	B4-68
125814	B4-90	125886	B4-54	125946	B4-68	126170	B4-68
125816	B4-90	125887	B4-54	125947	B4-68	126171	B4-68
125818	B4-90	125888	B4-54	125948	B4-68	126172	B4-68
125820	B4-90	125889	B4-54	125949	B4-68	126173	B4-68
125822	B4-90	125890	B4-56	125954	B4-42	126174	B4-68
125825	B4-94	125891	B4-56	125955	B4-42	126175	B4-66, B4-68
125826	B4-94	125892	B4-56	125956	B4-42	126176	B4-68
125828	B4-94	125893	B4-56	125957	B4-42	126177	B4-66, B4-68
125830	B4-94	125894	B4-56	125958	B4-42	126178	B4-68
125832	B4-94	125895	B4-56	125960	B4-42	126179	B4-66, B4-68
125834	B4-94	125896	B4-56	125965	B4-60	126180	B4-68
125836	B4-94	125900	B4-70	125966	B4-60	126182	B4-68
125838	B4-94	125901	B4-70	125967	B4-60	126183	B4-68
125840	B4-94	125902	B4-70	125968	B4-60	126184	B4-68
125842	B4-94	125903	B4-70	125969	B4-60	126186	B4-60
125844	B4-94	125904	B4-72	125970	B4-60	126187	B4-60
125850	B4-12	125905	B4-72	125971	B4-60	126188	B4-60

Eccentric Collar Ball Bearing

Setscrew VSC Ball Bearing

Eccentric SXV Collar Ball Bearing

Take-Up Frames

Engineering

Part Number Index

Keyword Index



PART NUMBER INDEX

Part Number	Page	Part Number	Page	Part Number	Page	Part Number	Page
126189	B4-60	126485	B6-56	126609	B6-10	126657	B6-38
126190	B4-60	126486	B6-56	126610	B6-10	126658	B6-38
126191	B4-60	126487	B6-56	126611	B6-26	126659	B6-38
126192	B4-56, B4-60	126488	B6-56	126612	B6-26	126660	B6-40
126193	B4-60	126489	B6-56	126613	B6-26	126661	B6-38
126194	B4-60	126495	B4-92	126614	B6-26	126685	B2-43, B6-54
126195	B4-56, B4-60	126496	B4-92	126615	B6-26	126686	B2-43, B6-54
126196	B4-60	126497	B4-92	126616	B6-26	126687	B2-43, B6-54
126197	B4-60	126498	B4-92	126617	B6-26	126688	B2-43, B6-54
126198	B4-60	126499	B4-92	126618	B6-26	126689	B2-43, B6-54
126199	B4-60	126500	B4-12	126619	B6-34	126690	B2-43, B6-54
126226	B4-60	126502	B4-12	126620	B6-34	126691	B2-43, B6-54
126227	B4-60	126503	B4-12	126621	B6-34	126692	B2-43, B6-54
126270	B4-60	126504	B4-12	126622	B6-34	126693	B2-43, B6-54
126283	B4-56, B4-60	126505	B4-12	126623	B6-34	126694	B2-43, B6-54
126284	B4-42	126510	B4-14	126624	B6-34	126695	B2-43, B6-54
126285	B4-42	126513	B4-14	126625	B6-34	126696	B2-43, B6-54
126287	B4-42	126516	B4-34	126626	B6-34	126697	B2-43, B6-54
126288	B4-42	126518	B4-34, B4-42	126627	B6-34	126698	B2-43, B6-54
126289	B4-42	126519	B4-34	126628	B6-34	126699	B2-43, B6-54
126290	B4-42	126521	B4-36	126629	B2-43, B6-54	126810	B4-24, B4-26
126292	B4-42	126522	B4-36	126630	B2-43, B6-54	126811	B4-26
126293	B4-36, B4-42	126523	B4-36	126631	B2-43, B6-54	126812	B4-24, B4-26
126405	B4-24	126524	B4-54	126632	B2-43, B6-54	126813	B4-24, B4-26
126406	B4-24	126525	B4-54	126633	B2-43, B6-54	126814	B4-24, B4-26
126407	B4-24	126526	B4-54	126634	B2-43, B6-54	126815	B4-14, B4-24, B4-26
126408	B4-24	126528	B4-54, B4-60	126635	B2-43, B6-54	126816	B4-24, B4-26
126409	B4-24	126531	B4-56	126636	B6-54	126817	B4-14, B4-24, B4-26
126415	B7-20	126533	B4-26	126637	B6-54	126818	B4-24, B4-26
126416	B7-20	126534	B4-26	126638	B6-54	126819	B4-14, B4-26
126417	B7-20	126535	B4-26	126639	B6-16, B6-18	126820	B4-26
126418	B7-20	126536	B4-42	126640	B6-18	126821	B4-26
126419	B7-20	126537	B4-56, B4-60	126641	B6-30	126822	B4-26
126450	B6-16	126538	B4-60	126642	B6-36	126823	B4-26
126451	B6-16	126539	B4-60	126643	B6-36	126824	B4-26
126452	B6-16	126540	B4-60	126644	B6-58	126835	B4-28
126453	B6-16	126541	B4-60	126645	B6-58	126836	B4-28
126454	B6-16	126544	B4-72	126646	B6-28	126837	B4-28
126475	B7-42	126547	B4-14, B4-26	126647	B6-28	126838	B4-28
126476	B7-42	126548	B4-14	126648	B6-28	126839	B4-28
126477	B7-42	126601	B6-10	126649	B6-28	126840	B4-28
126478	B7-42	126602	B6-10	126650	B6-28	126841	B4-28
126479	B7-42	126603	B6-10	126651	B6-28	126842	B4-28
126480	B6-56	126604	B6-10	126652	B6-28	126843	B4-28
126481	B6-56	126605	B6-10, B6-14	126653	B6-38	126844	B4-28
126482	B6-56	126606	B6-10	126654	B6-38	126847	B4-18, B4-28
126483	B6-56	126607	B6-10	126655	B6-38	126855	B4-26
126484	B6-56	126608	B6-10	126656	B6-38	126856	B4-26

PART NUMBER INDEX



Part Number	Page	Part Number	Page	Part Number	Page	Part Number	Page
126857	B4-26	127552	B2-51	127607	B2-57	127655	B2-70
127073	B2-42	127553	B2-51	127608	B2-57	127670	B2-26
127500	B2-46	127554	B2-51	127609	B2-57	127671	B2-26
127501	B2-46	127555	B2-51	127610	B2-57	127672	B2-26
127502	B2-46	127556	B2-64	127611	B2-60	127673	B2-26
127503	B2-46	127557	B2-64	127612	B2-60	127674	B2-26
127504	B2-46	127558	B2-64	127613	B2-60	127675	B2-26
127505	B2-46	127559	B2-64	127614	B2-60	127676	B2-26
127506	B2-46	127560	B2-64	127615	B2-60	127677	B2-26
127507	B2-46	127561	B2-64	127616	B2-60	127678	B2-26
127508	B2-46	127562	B2-64	127617	B2-70	127679	B2-26
127509	B2-51	127563	B2-56	127618	B2-70	127680	B2-26
127510	B2-51	127564	B2-56	127619	B2-70	127681	B2-31
127511	B2-51	127565	B2-56	127620	B2-70	127682	B2-31
127512	B2-51	127566	B2-56	127621	B2-70	127683	B2-31
127513	B2-51	127567	B2-56	127622	B2-70	127684	B2-31
127514	B2-51	127568	B2-56	127623	B2-48	127685	B2-31
127515	B2-64	127569	B2-56	127624	B2-48	127686	B2-31
127516	B2-64	127570	B2-59	127625	B2-48	127687	B2-31
127517	B2-64	127578	B2-48	127626	B2-48	127688	B2-31
127518	B2-64	127579	B2-48	127627	B2-48	127689	B2-36
127519	B2-64	127580	B2-48	127628	B2-48	127690	B2-36
127520	B2-64	127581	B2-48	127629	B2-48	127691	B2-36
127521	B2-59, B2-64	127582	B2-48	127630	B2-52	127692	B2-36
127522	B2-59, B2-64	127583	B2-48	127631	B2-52	127693	B2-36
127523	B2-59, B2-64	127584	B2-48	127632	B2-52	127694	B2-36
127524	B2-56	127585	B2-48	127633	B2-52	127695	B2-36
127525	B2-56	127586	B2-48	127634	B2-65	127696	B2-36
127526	B2-56	127587	B2-52	127635	B2-65	127697	B2-26
127527	B2-56	127588	B2-52	127636	B2-65	127698	B2-26
127528	B2-56	127589	B2-52	127637	B2-65	127699	B2-26
127529	B2-56	127590	B2-52	127638	B2-65	127700	B2-26
127530	B2-56	127591	B2-52	127639	B2-65	127701	B2-26
127531	B2-56	127592	B2-52	127640	B2-65	127702	B2-26
127532	B2-56	127593	B2-65	127641	B2-57	127703	B2-31
127533	B2-59	127594	B2-65	127642	B2-57	127704	B2-31
127534	B2-59	127595	B2-65	127643	B2-57	127705	B2-31
127535	B2-59	127596	B2-65	127644	B2-57	127706	B2-31
127536	B2-59	127597	B2-65	127645	B2-57	127707	B2-31
127537	B2-59	127598	B2-65	127646	B2-57	127708	B2-31
127538	B2-59	127599	B2-65	127647	B2-57	127709	B2-36
127545	B2-46	127600	B2-65	127648	B2-60	127710	B2-36
127546	B2-46	127601	B2-65	127649	B2-60	127711	B2-36
127547	B2-46	127602	B2-57	127650	B2-60	127712	B2-36
127548	B2-46	127603	B2-57	127651	B2-60	127713	B2-36
127549	B2-46	127604	B2-57	127652	B2-70	127714	B2-36
127550	B2-46	127605	B2-57	127653	B2-70	127715	B2-28
127551	B2-46	127606	B2-57	127654	B2-70	127716	B2-28



PART NUMBER INDEX

Part Number	Page	Part Number	Page	Part Number	Page	Part Number	Page
127717	B2-28	127824	B1-34	128146	B9-23		B6-66, B7-48
127718	B2-28	127825	B1-34	128147	B9-23	128207	B4-108, B5-76, B6-68, B7-50
127719	B2-28	127826	B1-34	128148	B9-23		
127720	B2-28	127861	B1-34	128149	B9-23	128208	B4-106, B5-74, B6-66, B7-48
127721	B2-28	127862	B1-34	128150	B9-23		
127722	B2-28	127863	B1-34	128151	B4-48	128209	B4-108, B5-76, B6-68, B7-50
127723	B2-32	127864	B1-34	128154	B4-48		
127724	B2-32	127865	B1-34	128170	B4-30	128210	B4-106, B5-74, B6-66, B7-48
127725	B2-32	127866	B1-34	128171	B4-30		
127726	B2-32	127867	B1-34	128172	B4-30	128211	B4-108, B5-76, B6-68, B7-50
127727	B2-32	128082	B4-53	128173	B4-30		
127728	B2-32	128083	B4-53	128174	B4-48	128212	B4-106, B5-74, B6-66, B7-48
127729	B2-32	128084	B4-53	128175	B4-48		
127730	B2-32	128085	B4-53	128176	B4-48	128213	B4-108, B5-76, B6-68, B7-50
127731	B2-37	128086	B4-53	128177	B4-48		
127732	B2-37	128087	B4-53	128178	B4-53	128214	B4-106, B5-74, B6-66, B7-48
127733	B2-37	128088	B4-64	128179	B4-53		
127734	B2-37	128089	B4-64	128180	B4-53	128215	B4-108, B5-76, B6-68, B7-50
127735	B2-37	128090	B4-64	128181	B4-53		
127736	B2-37	128091	B4-64	128182	B4-64	128216	B4-106, B5-74, B6-66, B7-48
127737	B2-37	128092	B4-48	128183	B9-14		
127738	B2-37	128093	B4-48	128184	B9-14	128217	B4-108, B5-76, B6-68, B7-50
127739	B2-28	128094	B4-48	128185	B9-14		
127740	B2-28	128095	B4-48	128186	B9-19	128218	B4-106, B5-74, B6-66, B7-48
127741	B2-28	128096	B4-48	128187	B9-19		
127742	B2-28	128097	B4-48	128188	B9-19	128219	B4-108, B5-76, B6-68, B7-50
127743	B2-28	128106	B4-30	128189	B9-23		
127744	B2-28	128107	B4-30	128190	B9-23	128220	B6-70
127745	B2-32	128108	B4-30	128191	B9-23	128221	B6-70
127746	B2-32	128109	B4-30	128192	B9-26	128222	B6-70
127747	B2-32	128110	B4-30	128193	B9-26	128223	B6-70
127748	B2-32	128111	B4-30	128194	B9-26	128277	B3-41, B4-103, B5-71, B6-63, B7-45
127749	B2-32	128130	B9-14	128195	B9-26		
127750	B2-32	128131	B9-14	128196	B9-26	128278	B3-41, B4-103, B5-71, B6-63, B7-45
127751	B2-37	128132	B9-14	128197	B4-30		
127752	B2-37	128133	B9-14	128200	B4-106, B5-74, B6-66, B7-48	128280	B3-41, B4-103, B5-71, B6-63, B7-45
127753	B2-37	128134	B9-14				
127754	B2-37	128135	B9-14	128201	B4-108, B5-76, B6-68, B7-50	128281	B3-41, B4-103, B5-71, B6-63, B7-45
127755	B2-37	128136	B9-14				
127756	B2-37	128137	B9-19	128202	B4-106, B5-74, B6-66, B7-48	128282	B3-41, B4-103, B5-71, B6-63, B7-45
127804	B1-34	128138	B9-19				
127808	B1-34	128139	B9-19	128203	B4-108, B5-76, B6-68, B7-50	128283	B3-41, B4-103, B5-71, B6-63, B7-45
127818	B1-34	128140	B9-19				
127819	B1-34	128141	B9-19	128204	B4-106, B5-74, B6-66, B7-48	128284	B3-41, B4-103, B5-71, B6-63, B7-45
127820	B1-34	128142	B9-19				
127821	B1-34	128143	B9-19	128205	B4-108, B5-76, B6-68, B7-50	128285	B3-41, B4-103, B5-71, B6-63, B7-45
127822	B1-34	128144	B9-23				
127823	B1-34	128145	B9-23	128206	B4-106, B5-74,		

PART NUMBER INDEX



Part Number	Page	Part Number	Page	Part Number	Page	Part Number	Page
128286	B3-41, B4-103, B5-71, B6-63, B7-45	128369	B3-41, B4-103, B5-71, B6-63, B7-45	128651	B2-43, B6-54	128720	B6-10
128350	B3-41, B4-103, B5-71, B6-63, B7-45	128380	B6-60	128652	B2-43, B6-54, B6-58	128721	B6-14
128351	B3-41, B4-103, B5-71, B6-63, B7-45	128381	B6-60	128653	B2-43, B6-54	128722	B6-14
128352	B3-41, B4-103, B5-71, B6-63, B7-45	128382	B6-60	128654	B2-43, B6-54	128723	B6-14
128353	B3-41, B4-103, B5-71, B6-63, B7-45	128383	B6-60	128655	B2-43, B6-54	128724	B6-14
128354	B3-41, B4-103, B5-71, B6-63, B7-45	128384	B6-60	128656	B2-43, B6-54, B6-58	128725	B6-14
128355	B3-41, B4-103, B5-71, B6-63, B7-45	128385	B6-60	128657	B2-43, B6-54	128726	B6-14
128356	B3-41, B4-103, B5-71, B6-63, B7-45	128386	B6-60	128658	B2-43, B6-54	128727	B6-14
128357	B3-41, B4-103, B5-71, B6-63, B7-45	128387	B6-60	128659	B2-43, B6-54	128728	B6-14
128358	B3-41, B4-103, B5-71, B6-63, B7-45	128388	B6-60	128660	B2-43, B6-54	128729	B6-14
128363	B3-41, B4-103, B5-71, B6-63, B7-45	128389	B6-60	128661	B6-54, B6-58	128730	B6-14
128364	B3-41, B4-103, B5-71, B6-63, B7-45	128390	B6-60	128663	B6-54	128731	B6-14
128365	B3-41, B4-103, B5-71, B6-63, B7-45	128391	B6-60	128664	B6-54, B6-58	128732	B6-14
128366	B3-41, B4-103, B5-71, B6-63, B7-45	128432	B6-12	128665	B6-58	128733	B6-14
128367	B3-41, B4-103, B5-71, B6-63, B7-45	128435	B6-12	128666	B6-54	128734	B6-14
128368	B3-41, B4-103, B5-71, B6-63, B7-45	128436	B6-12	128667	B6-54	128735	B6-14
		128437	B6-12	128668	B6-58	128736	B6-14
		128438	B6-12	128669	B6-58	128738	B6-14
		128440	B6-12	128670	B6-58	128739	B6-14
		128441	B6-12	128671	B6-58	128741	B6-14
		128443	B6-12	128672	B2-43, B6-58	128742	B6-22
		128444	B6-12	128673	B6-58	128743	B6-22
		128446	B6-12	128674	B6-58	128744	B6-22
		128449	B6-12	128675	B6-58	128745	B6-22
		128451	B6-12	128676	B6-58	128746	B6-22
		128452	B6-12	128677	B6-54, B6-58	128747	B6-22
		128474	B6-20	128684	B2-43, B6-54	128748	B6-22
		128475	B6-20	128696	B6-18	128749	B6-22
		128476	B6-20	128697	B6-18	128750	B6-22
		128477	B6-20	128698	B6-18	128751	B6-22
		128478	B6-20	128700	B6-10	128752	B6-22
		128479	B6-20	128701	B6-10	128753	B6-22
		128480	B6-20	128702	B6-10	128754	B6-22
		128481	B6-12, B6-20	128703	B6-10	128755	B6-22
		128482	B6-20	128704	B6-10	128756	B6-22
		128483	B6-12, B6-20	128705	B6-10	128757	B6-26
		128484	B6-20	128706	B6-10	128758	B6-26
		128485	B6-12, B6-20	128707	B6-10, B6-16, B6-18	128759	B6-26
		128488	B6-20	128708	B6-10	128760	B6-26
		128489	B6-20	128709	B6-10	128761	B6-26
		128490	B6-20	128710	B6-10, B6-14	128762	B6-26
		128646	B2-43, B6-54	128711	B6-10, B6-18	128763	B6-26
		128647	B2-43, B6-54	128712	B6-10	128764	B6-26, B6-30
		128648	B2-43, B6-54	128713	B6-10	128765	B6-26
		128649	B2-43, B6-54	128714	B6-10	128766	B6-26
		128650	B2-43, B6-54	128715	B6-10	128767	B6-26
				128717	B6-10	128768	B6-26
				128719	B6-10	128769	B6-26

Eccentric Collar Ball Bearing

Setscrew VSC Ball Bearing

Eccentric SXV Collar Ball Bearing

Take-Up Frames

Engineering

Part Number Index

Keyword Index



PART NUMBER INDEX

Part Number	Page	Part Number	Page	Part Number	Page	Part Number	Page
128770	B6-26	128823	B6-18	128963	B1-35, B2-77	129166	B5-10
128771	B6-26	128824	B6-16, B6-18	128964	B1-35, B2-77	129167	B5-10
128772	B6-26	128825	B6-16, B6-18	128965	B1-35, B2-77	129168	B5-10
128774	B6-26	128826	B6-18	128966	B1-35, B2-77	129169	B5-10
128775	B6-34	128827	B6-18	128974	B1-35, B2-77	129170	B5-10
128776	B6-34	128828	B6-18	128975	B1-35, B2-77	129171	B5-10
128777	B6-34	128829	B6-16, B6-18	128976	B1-35, B2-77	129172	B5-10
128778	B6-34	128830	B6-10, B6-16, B6-18	128977	B1-35, B2-77	129173	B5-10
128779	B6-34			128978	B1-35, B2-77	129174	B5-12
128780	B6-34	128831	B6-16, B6-18	128980	B1-35, B2-77	129175	B5-12
128781	B6-34	128832	B6-10, B6-18	128989	B1-35, B2-77	129176	B5-12
128782	B6-34, B6-36	128833	B6-16, B6-18	128990	B1-35, B2-77	129177	B5-12
128783	B6-34	128834	B6-10, B6-18	128991	B1-35, B2-77	129178	B5-12
128784	B6-34	128835	B6-30	128992	B1-35, B2-77	129179	B5-14
128785	B6-34	128836	B6-30	128993	B1-35, B2-77	129180	B5-14
128786	B6-34, B6-36	128837	B6-30	128994	B1-35, B2-77	129181	B5-14
128787	B6-34	128838	B6-30	128996	B1-35, B2-77	129182	B5-14
128788	B6-34	128839	B6-30	128997	B1-35, B2-77	129183	B5-16
128789	B6-34	128840	B6-30	128998	B4-32	129184	B5-16
128790	B6-34	128841	B6-30	129040	B5-16	129185	B5-16
128792	B6-34	128842	B6-26, B6-30	129041	B5-16	129186	B5-16
128794	B6-34	128843	B6-36	129042	B5-16	129187	B5-16
128795	B6-34	128844	B6-36	129043	B5-16	129188	B5-16
128796	B6-33	128845	B6-36	129044	B5-16	129189	B5-16
128797	B6-33	128846	B6-36	129045	B5-16	129190	B5-16
128798	B6-33	128847	B6-36	129046	B5-16	129191	B5-16
128799	B6-33	128848	B6-36	129047	B5-16	129192	B5-16
128800	B6-33	128849	B6-36	129048	B5-20	129193	B5-16
128801	B6-33	128850	B6-34, B6-36	129049	B5-20, B7-20	129194	B5-16
128802	B6-33	128851	B6-36	129078	B5-26, B5-30	129195	B5-16
128803	B6-33	128852	B6-34, B6-36	129148	B5-24	129196	B5-16
128804	B6-33	128853	B6-36	129149	B5-10	129197	B5-16
128805	B6-33	128854	B6-34, B6-36	129150	B5-8, B5-16	129198	B5-16
128806	B6-33	128855	B6-40	129151	B5-8, B5-16	129199	B5-16
128807	B6-33	128856	B6-40	129152	B5-8	129200	B5-16
128808	B6-38	128857	B6-40	129153	B5-8	129201	B5-16
128809	B6-38	128858	B6-40	129154	B5-8	129202	B5-16
128810	B6-38, B6-40	128859	B6-40	129155	B5-8	129203	B5-8, B5-16
128811	B6-38	128860	B6-40	129156	B5-8	129204	B5-8
128812	B6-38	128861	B6-40	129157	B5-8	129205	B5-8
128813	B6-38, B6-40	128862	B6-38, B6-40	129158	B5-8	129206	B5-8
128814	B6-38, B6-40	128863	B6-40	129159	B5-8	129207	B5-8
128815	B6-38	128864	B6-38, B6-40	129160	B5-8	129208	B5-8
128816	B6-38	128865	B6-40	129161	B5-8, B5-20, B7-20	129209	B5-8
128817	B6-38	128866	B6-38, B6-40	129162	B5-8	129210	B5-16
128818	B6-38	128960	B1-35, B2-77	129163	B5-8	129211	B5-10
128820	B6-38	128961	B1-35, B2-77	129164	B5-10	129212	B5-10
128822	B6-38	128962	B1-35, B2-77	129165	B5-10	129213	B5-10

PART NUMBER INDEX



Part Number	Page	Part Number	Page	Part Number	Page	Part Number	Page
129214	B5-10	129262	B2-24	129310	B5-26, B5-30	129359	B2-30
129215	B5-10	129263	B2-24	129311	B5-26	129360	B2-30
129216	B5-10	129264	B2-24	129312	B5-26	129361	B2-30
129217	B5-20	129265	B2-24	129313	B5-26	129362	B2-30
129218	B5-20, B7-20	129266	B2-24	129314	B5-26, B5-30	129363	B2-30
129219	B5-20, B7-20	129267	B2-24	129315	B5-26	129364	B2-30
129220	B5-20	129268	B2-24	129316	B5-26	129365	B2-30
129221	B5-20, B7-20	129269	B2-24	129317	B5-26	129366	B2-30
129222	B5-20, B7-20	129270	B2-24	129318	B5-26	129367	B2-30
129223	B5-20, B7-20	129271	B2-24	129319	B5-26	129368	B2-30
129224	B5-10, B5-20, B7-20	129272	B2-24	129320	B5-28	129369	B5-30
129225	B5-20, B7-20	129273	B2-24	129321	B5-26	129371	B5-10
129226	B5-10, B5-20	129274	B2-24	129322	B5-26	129372	B5-16
129227	B5-20, B7-20	129275	B2-24	129323	B5-26	129373	B5-26
129228	B5-10, B5-20	129276	B5-24	129324	B5-26	129374	B5-36
129229	B5-20	129277	B5-24	129325	B5-26	129375	B5-46
129230	B5-20	129278	B5-24	129326	B5-26	129376	B5-10
129231	B5-20	129279	B5-24	129327	B5-26	129377	B5-16
129232	B5-20	129280	B5-24	129328	B5-26	129378	B5-26
129233	B5-20	129281	B5-24	129329	B5-26	129379	B5-36
129234	B5-22	129282	B5-24	129330	B5-30	129380	B5-46
129235	B5-22	129283	B5-24	129331	B5-30	129381	B5-20
129236	B5-22	129284	B5-24	129332	B5-30	129382	B5-22
129237	B5-22	129285	B5-24	129333	B5-30	129383	B5-20
129238	B5-22	129286	B5-24	129334	B5-30	129384	B5-22
129239	B5-22	129287	B5-24	129335	B5-30	129385	B5-20
129240	B5-22	129288	B5-24	129336	B5-30	129386	B5-22
129241	B5-22	129289	B5-24	129337	B5-26, B5-30	129387	B5-20
129242	B5-22	129290	B5-24	129339	B2-54	129388	B5-22
129243	B5-22	129291	B2-50	129340	B2-54	129392	B2-44
129244	B2-44	129292	B2-50	129341	B2-54	129393	B2-44
129245	B2-44	129293	B2-50	129342	B2-54	129394	B2-54
129246	B2-44	129294	B2-50	129343	B2-54	129395	B2-62
129247	B2-44	129295	B2-50	129344	B2-54	129396	B2-44
129248	B2-44	129296	B2-50	129345	B2-54	129399	B5-12
129249	B2-44	129297	B2-50	129346	B2-54	129417	B5-66
129250	B2-44	129298	B2-50	129347	B2-54	129419	B5-8, B5-20
129251	B2-44	129299	B2-50	129348	B2-54	129420	B5-8, B5-16
129252	B2-44	129300	B2-50	129349	B2-54	129421	B5-8
129253	B2-44	129301	B5-26	129350	B2-54	129422	B5-8, B5-20
129254	B2-44	129302	B5-26	129351	B2-54	129423	B5-8
129255	B2-44	129303	B5-26	129352	B2-54	129424	B5-8, B5-20
129256	B2-44	129304	B5-26	129353	B2-54	129425	B5-10, B5-20
129257	B2-44	129305	B5-26	129354	B2-54	129426	B5-10, B5-20
129258	B2-44	129306	B5-26	129355	B2-30	129427	B5-10, B5-20
129259	B2-44	129307	B5-26	129356	B2-30	129428	B5-10, B5-20
129260	B2-24	129308	B5-26	129357	B2-30	129429	B5-10, B5-20
129261	B2-24	129309	B5-26	129358	B2-30	129430	B5-10, B5-20

Eccentric Collar Ball Bearing

Setcrew VSC Ball Bearing

Eccentric SXV Collar Ball Bearing

Take-Up Frames

Engineering

Part Number Index

Keyword Index



PART NUMBER INDEX

Part Number	Page	Part Number	Page	Part Number	Page	Part Number	Page
129431	B5-10, B5-20	129479	B5-40, B5-44	129527	B5-64, B5-66	129575	B2-30
129432	B5-8	129480	B5-40, B5-44	129528	B5-66	129576	B2-30
129433	B5-16	129481	B5-40, B5-44	129529	B5-66	129577	B2-30
129434	B5-16	129482	B5-40, B5-44	129530	B2-44	129578	B2-30
129435	B5-16	129483	B5-40, B5-44	129531	B2-44	129579	B2-40
129436	B5-16	129484	B5-40, B5-44	129532	B2-44	129580	B2-40
129437	B5-16	129485	B5-40, B5-44	129533	B2-44	129581	B2-40
129438	B5-16	129486	B5-42	129534	B2-44	129582	B2-40
129439	B5-16	129487	B5-42	129535	B2-44	129583	B2-40
129440	B5-16	129488	B5-44	129536	B2-44	129584	B2-40
129441	B5-16	129489	B5-44	129537	B2-50	129585	B2-40
129442	B5-12	129490	B5-26	129538	B2-50	129602	B2-24, B2-44
129443	B5-12, B5-22	129491	B5-26	129539	B2-50	129603	B2-44
129444	B5-12, B5-22	129492	B5-26, B5-30	129540	B2-50	129605	B2-24
129445	B5-14, B5-22	129493	B5-26, B5-30	129541	B2-62	129606	B2-24, B2-44
129446	B5-14, B5-22	129494	B5-26, B5-30	129542	B2-62	129611	B2-44
129447	B5-14, B5-22	129495	B5-26, B5-30	129543	B2-62	129612	B2-24
129448	B5-14, B5-22	129496	B5-26, B5-30	129544	B2-62	129613	B2-24, B2-44
129449	B5-14, B5-22	129497	B5-26, B5-30	129545	B2-62	129615	B5-33
129450	B5-14, B5-22	129498	B5-26, B5-30	129546	B2-62	129616	B5-33
129451	B5-22	129499	B5-28	129547	B2-62	129617	B5-33
129452	B5-12, B5-22	129500	B5-28	129548	B2-54	129618	B5-33
129453	B5-20	129501	B5-46, B5-48	129549	B2-54	129619	B5-33
129454	B5-20	129502	B5-46, B5-48	129550	B2-54	129620	B5-33
129455	B5-22	129503	B5-46, B5-48	129551	B2-54	129621	B5-33
129456	B5-22	129504	B5-46, B5-48	129552	B2-54	129622	B5-33
129457	B5-24	129505	B5-46, B5-48	129553	B2-54	129623	B5-33
129458	B5-24	129506	B5-46, B5-48	129554	B2-54	129624	B5-33
129459	B5-24	129507	B5-46, B5-48	129555	B2-58	129625	B5-33
129460	B5-24	129508	B5-46, B5-48	129556	B2-58	129626	B5-33
129461	B5-24	129509	B5-48	129557	B2-58	129627	B2-58
129462	B5-24	129510	B5-48	129558	B2-58	129629	B2-58
129463	B5-24	129511	B5-33	129559	B2-24	129631	B2-58
129464	B5-35	129512	B5-33	129560	B2-24	129632	B2-58
129465	B5-35	129513	B5-33	129561	B2-24	129634	B2-58
129466	B5-35, B5-42	129514	B5-33	129562	B2-24	129635	B2-58
129467	B5-35, B5-42	129515	B5-33	129563	B2-24	129637	B5-35
129468	B5-35, B5-42	129516	B5-62	129564	B2-24	129638	B5-35
129469	B5-36, B5-42	129517	B5-62	129565	B2-24	129639	B5-35
129470	B5-36, B5-42	129518	B5-62, B5-66	129566	B2-24	129640	B5-35
129471	B5-36, B5-42	129519	B5-62, B5-66	129567	B2-35	129641	B5-35
129472	B5-36, B5-42	129520	B5-62, B5-66	129568	B2-35	129642	B5-35
129473	B5-36, B5-42	129521	B5-64, B5-66	129569	B2-35	129643	B5-35
129474	B5-36, B5-42	129522	B5-64, B5-66	129570	B2-35	129644	B5-35
129475	B5-36, B5-42	129523	B5-64, B5-66	129571	B2-35	129645	B5-35
129476	B5-38, B5-44	129524	B5-64, B5-66	129572	B2-35	129646	B5-35, B5-42
129477	B5-38, B5-44	129525	B5-64, B5-66	129573	B2-30	129647	B5-35
129478	B5-38, B5-44	129526	B5-64, B5-66	129574	B2-30	129648	B5-35

PART NUMBER INDEX



Part Number	Page	Part Number	Page	Part Number	Page	Part Number	Page
129649	B5-36	129697	B5-44	129745	B5-46	129793	B5-64
129650	B5-36	129698	B5-44	129746	B5-46	129794	B5-64
129651	B5-36	129699	B5-44	129747	B5-46	129795	B5-64
129652	B5-36	129700	B5-44	129748	B5-46	129796	B5-62
129653	B5-36	129701	B5-44	129749	B5-46	129797	B5-62
129654	B5-36	129702	B5-44	129750	B5-46	129798	B5-62
129655	B5-36	129703	B5-44	129751	B5-46	129799	B5-62
129656	B5-36	129704	B5-44	129752	B5-46	129800	B5-62
129657	B5-36	129705	B2-62	129753	B5-46	129801	B5-64
129658	B5-36	129706	B2-62	129754	B5-46	129802	B5-64
129659	B5-38	129707	B2-62	129755	B5-46	129803	B5-64
129660	B5-38	129708	B2-62	129756	B5-46	129804	B5-64
129661	B5-38	129709	B2-62	129757	B5-46	129805	B5-64
129662	B5-40	129710	B2-62	129758	B5-48	129806	B5-64
129663	B5-40	129711	B2-62	129759	B5-48	129807	B5-64
129664	B5-40	129712	B2-62	129760	B5-48	129808	B5-66
129665	B5-40	129713	B2-62	129761	B5-48	129809	B5-66
129666	B5-40	129714	B2-62	129762	B5-48	129810	B5-66
129667	B5-35	129715	B2-62	129763	B5-48	129811	B5-66
129668	B5-35	129716	B2-62	129764	B5-48	129812	B5-66
129669	B5-35	129717	B2-62	129765	B5-46, B5-48	129813	B5-66
129670	B5-35	129718	B2-62	129766	B5-48	129814	B5-66
129671	B5-35	129719	B2-62	129767	B5-46, B5-48	129815	B5-64, B5-66
129672	B5-36	129720	B2-62	129768	B5-48	129816	B5-66
129673	B5-36	129721	B2-35	129769	B5-46, B5-48	129817	B5-64, B5-66
129674	B5-36	129722	B2-35	129770	B5-48	129818	B5-66
129675	B5-36	129723	B2-35	129771	B5-48	129819	B5-64, B5-66
129676	B5-36	129724	B2-35	129772	B5-48	129820	B5-66
129677	B5-36	129725	B2-35	129773	B5-48	129821	B5-66
129678	B5-36	129726	B2-35	129774	B5-62	129822	B5-66
129679	B5-42	129727	B2-35	129775	B5-62	129823	B5-66
129680	B5-42	129728	B2-35	129776	B5-62	129824	B5-66
129681	B5-42	129729	B2-35	129777	B5-62	129825	B2-40
129682	B5-42	129730	B2-35	129778	B5-62	129826	B2-40
129683	B5-42	129731	B2-35	129779	B5-62	129827	B2-40
129684	B5-42	129732	B2-35	129780	B5-62	129828	B2-40
129685	B5-42	129733	B2-35	129781	B5-62	129829	B2-40
129686	B5-42	129734	B2-35	129782	B5-62	129830	B2-40
129687	B5-36, B5-42	129735	B5-46	129783	B5-62, B5-66	129831	B2-40
129688	B5-42	129736	B5-46	129784	B5-62	129832	B2-40
129689	B5-36, B5-42	129737	B5-46	129785	B5-62	129833	B2-40
129690	B5-42	129738	B5-46, B5-48	129786	B5-64	129834	B2-40
129691	B5-36, B5-42	129739	B5-46	129787	B5-64, B5-66	129835	B2-40
129692	B5-42	129740	B5-46	129788	B5-64	129836	B2-40
129693	B5-42	129741	B5-46, B5-48	129789	B5-64	129837	B2-40
129694	B5-42	129742	B5-46, B5-48	129790	B5-64	129838	B2-40
129695	B5-42	129743	B5-46	129791	B5-64	129839	B2-40
129696	B5-42	129744	B5-46	129792	B5-64	129840	B2-40

Eccentric Collar Ball Bearing

Setscrew VSC Ball Bearing

Eccentric SXV Collar Ball Bearing

Take-Up Frames

Engineering

Part Number Index

Keyword Index

PART NUMBER INDEX

Part Number	Page	Part Number	Page	Part Number	Page	Part Number	Page
129841	B5-8	129976	B2-40, B2-44, B2-54, B2-62	130065	B18-27	130340	B9-30
129842	B5-8			130066	B18-27	130341	B9-30
129843	B5-8	129977	B2-40, B2-44, B2-54, B2-62	130067	B18-27	130342	B9-30
129844	B5-64			130068	B18-27	130343	B9-30
129845	B5-64	129978	B2-24, B2-30, B2-35, B2-40, B2-44, B2-54, B2-62	130069	B18-27	130344	B9-30
129889	B5-66			130070	B18-27	130345	B9-30
129890	B5-66	129979	B2-24, B2-30, B2-35, B2-40, B2-44, B2-54, B2-62	130071	B18-27	130346	B9-32
129891	B5-66			130073	B18-27	130347	B9-32
129892	B5-66	129980	B2-24, B2-30, B2-35, B2-40, B2-44, B2-50, B2-54, B2-62, B2-66	130078	B18-27	130348	B9-32
129893	B5-66			130276	B9-6	130349	B9-32
129894	B5-66	129981	B2-24, B2-30, B2-35, B2-40, B2-44, B2-50, B2-54, B2-62, B2-66	130300	B9-34	130350	B9-32
129895	B5-66			130301	B9-34	130351	B9-32
129896	B5-66	129982	B2-24, B2-30, B2-35, B2-40, B2-50, B2-54, B2-62, B2-66	130302	B9-34	130352	B9-16
129897	B5-66			130303	B9-34	130353	B9-16
129898	B5-66	129983	B2-24, B2-30, B2-35, B2-40, B2-44, B2-50, B2-54, B2-62, B2-66	130305	B9-34	130354	B4-32
129899	B5-66			130306	B9-34	130355	B4-32
129967	B2-24, B2-30, B2-35, B2-40, B2-44, B2-50, B2-54, B2-58, B2-62, B2-66	129984	B2-24, B2-30, B2-35, B2-40, B2-54, B2-62	130307	B9-34	130356	B4-32
				130308	B9-34	130357	B4-32
129968	B2-24, B2-30, B2-35, B2-40, B2-44, B2-50, B2-54, B2-58, B2-62, B2-66	129985	B2-40, B2-44, B2-54, B2-62	130310	B9-6, B9-10	130358	B4-32
				130311	B9-6, B9-10	130359	B4-32
129969	B2-24, B2-30, B2-35, B2-40, B2-44, B2-50, B2-54, B2-58, B2-62, B2-66	129986	B2-24, B2-30, B2-35, B2-40, B2-44, B2-54, B2-62	130312	B9-8	130360	B4-32
				130313	B9-8	130361	B4-32
129970	B2-24, B2-30, B2-35, B2-40, B2-50, B2-54, B2-58, B2-62, B2-66	129988	B2-50	130314	B9-8	130362	B4-46
		129989	B2-50	130315	B9-8	130363	B4-46
129971	B2-24, B2-30, B2-35, B2-40, B2-50, B2-54, B2-58, B2-62, B2-66	129990	B2-50	130316	B9-8	130364	B4-46
		129991	B2-50	130317	B9-8	130365	B4-46
129972	B2-24, B2-30, B2-35, B2-40, B2-44, B2-50, B2-54, B2-58, B2-62, B2-66	130044	B18-27	130318	B9-10	130366	B4-46
		130045	B18-27	130319	B9-10	130367	B4-40
129973	B2-24, B2-30, B2-35, B2-40, B2-44, B2-50, B2-54, B2-58, B2-62, B2-66	130047	B18-27	130320	B9-10	130368	B4-40
		130049	B18-27	130321	B9-10	130369	B4-40
129974	B2-24, B2-30, B2-35, B2-40, B2-44, B2-50, B2-54, B2-58, B2-62, B2-66	130050	B18-27	130322	B9-10	130370	B4-40
		130051	B18-27	130323	B9-10	130371	B4-40
129975	B2-24, B2-30, B2-35, B2-40, B2-54, B2-62	130054	B18-27	130324	B9-6	130372	B4-40
		130056	B18-27	130325	B9-6	130373	B4-40
		130057	B18-27	130326	B9-16	130689	B5-18
		130058	B18-27	130327	B9-16	130691	B5-18
		130059	B18-27	130328	B9-16	130692	B5-18
		130060	B18-27	130329	B9-16	130693	B5-18
		130062	B18-27	130330	B9-16	130694	B5-18
		130063	B18-27	130331	B9-16	130695	B5-18
		130064	B18-27	130332	B9-24	130696	B5-18
				130333	B9-24	130697	B5-18
				130334	B9-24	130698	B5-18
				130335	B9-24	130699	B5-18
				130336	B9-24	130700	B5-18
				130337	B9-24	130701	B5-18
				130338	B9-24	130702	B5-18
				130339	B9-24	130769	B9-12

PART NUMBER INDEX



Part Number	Page	Part Number	Page	Part Number	Page	Part Number	Page
130770	B9-12	130850	B7-34	131125	B7-28	131215	B7-34
130771	B9-12	130851	B7-34	131127	B7-28	131216	B7-34
130772	B9-12	130852	B7-34	131130	B7-28	131217	B7-34
130773	B9-12	130853	B7-34	131132	B7-28	131220	B7-34
130774	B9-12	130854	B7-34	131135	B7-28	131221	B7-34
130775	B9-12	130880	B7-24	131137	B7-28	131222	B7-34
130776	B9-18	131050	B7-24	131154	B7-32	131225	B7-34
130777	B9-18	131052	B7-24	131156	B7-32	131227	B7-34
130778	B9-18	131054	B7-24	131157	B7-32	131230	B7-34
130779	B9-18	131056	B7-24	131158	B7-32	131232	B7-34
130780	B9-18	131057	B7-24	131159	B7-32	131235	B7-34
130781	B9-20	131058	B7-24	131160	B7-32	131238	B9-32
130782	B9-20	131059	B7-24	131161	B7-32	131239	B9-32
130783	B9-20	131060	B7-24	131163	B7-32	131240	B9-32
130784	B9-20	131061	B7-24	131164	B7-32	131241	B9-32
130785	B9-20	131063	B7-24	131165	B7-32	131243	B9-32
130786	B9-20	131064	B7-24	131166	B7-32	131244	B9-32
130787	B9-20	131065	B7-24	131167	B7-32	131245	B9-32
130788	B9-28	131066	B7-24	131170	B7-32	131246	B9-32
130789	B9-28	131067	B7-24	131171	B7-32	131248	B9-32
130790	B9-28	131070	B7-24	131172	B7-32	131249	B9-32
130791	B9-28	131071	B7-24	131175	B7-32	131250	B9-32
130792	B9-28	131072	B7-24	131177	B7-32	131259	B7-37
130793	B9-32	131074	B7-24	131180	B7-32	131260	B7-37
130794	B9-32	131075	B7-24	131182	B7-32	131261	B7-37
130795	B9-32	131077	B7-24	131185	B7-32	131263	B7-37
130796	B9-32	131079	B7-24	131186	B9-30	131264	B7-37
130797	B9-32	131082	B9-6	131187	B9-30	131265	B7-37
130798	B9-32	131083	B9-6	131188	B9-30	131266	B7-37
130799	B9-32	131084	B9-6	131189	B9-30	131275	B7-37
130831	B7-26	131085	B9-6	131190	B9-30	131276	B7-37
130832	B7-26	131100	B7-28	131191	B9-30	131317	B7-38
130833	B7-26	131102	B7-28	131192	B9-30	131325	B7-38
130834	B7-26	131104	B7-28	131193	B9-30	131327	B7-38
130835	B7-26	131106	B7-28	131194	B9-30	131335	B7-38
130836	B7-26	131107	B7-28	131195	B9-30	131339	B7-14
130837	B7-26	131108	B7-28	131196	B9-30	131340	B7-18
130838	B7-30	131109	B7-28	131197	B9-30	131341	B7-12
130839	B7-30	131110	B7-28	131198	B9-30	131342	B7-12
130840	B7-30	131111	B7-28	131204	B7-34	131343	B7-28
130841	B7-30	131113	B7-28	131206	B7-34	131356	B7-39
130842	B7-30	131114	B7-28	131207	B7-34	131357	B7-39
130843	B7-30	131115	B7-28	131208	B7-34	131358	B7-39
130845	B7-34	131116	B7-28	131209	B7-34	131359	B7-39
130846	B7-34	131117	B7-28	131210	B7-34	131360	B7-39
130847	B7-34	131120	B7-28	131211	B7-34	131361	B7-39
130848	B7-34	131121	B7-28	131213	B7-34	131363	B7-39
130849	B7-34	131122	B7-28	131214	B7-34	131364	B7-39



PART NUMBER INDEX

Part Number	Page	Part Number	Page	Part Number	Page	Part Number	Page
131365	B7-39	131748	B9-16	131902	B7-40	131995	B9-10
131366	B7-39	131749	B9-16	131904	B7-40	131996	B9-6
131377	B9-24	131800	B7-12, B7-16	131906	B7-40	132151	B18-18
131378	B9-24	131801	B7-12, B7-16	131907	B7-40	132152	B18-18
131379	B9-24	131802	B7-12	131908	B7-40	132153	B18-18
131380	B9-24	131803	B7-12	131909	B7-40	132154	B18-18
131381	B9-24	131804	B7-12	131910	B7-40	132155	B18-18
131382	B9-24	131805	B7-12	131911	B7-40	132156	B18-18
131383	B9-24	131806	B7-12	131912	B7-40	132157	B18-18
131384	B9-24	131807	B7-12	131913	B7-40	132158	B18-18
131385	B9-24	131808	B7-12	131914	B7-40	132159	B18-18
131386	B9-24	131809	B7-12	131915	B7-40	132160	B18-18
131387	B9-24	131810	B7-12	131916	B7-40	132161	B18-18
131388	B9-24	131811	B7-12	131918	B7-40	132192	B18-13, B18-25
131389	B9-24	131812	B7-12	131919	B7-40	132193	B18-13, B18-25
131432	B7-14	131813	B7-14	131920	B7-40	132198	B18-13, B18-25
131433	B7-14	131814	B7-14	131923	B7-40	132203	B18-19
131434	B7-18	131815	B7-14	131924	B7-40	132205	B18-19
131435	B9-34	131816	B7-14	131927	B7-40	132383	B18-18
131436	B9-34	131817	B7-14	131928	B7-40	132384	B18-18, B18-26
131437	B9-34	131818	B7-14	131931	B7-40	132385	B18-18
131438	B9-34	131819	B7-14	131933	B7-40	132386	B18-18
131439	B9-34	131820	B7-14	131934	B7-40	132387	B18-18
131440	B9-34	131821	B7-14	131970	B9-6	132388	B18-18
131441	B9-34	131830	B7-16	131971	B9-6	132389	B18-18
131442	B9-34	131831	B7-16	131972	B9-6	132420	B18-19
131443	B9-34	131832	B7-16	131973	B9-6	132421	B18-19
131444	B9-34	131833	B7-16	131974	B9-6	132422	B18-19
131445	B9-34	131834	B7-16	131975	B9-6	132423	B18-19
131446	B9-34	131835	B7-16	131976	B9-6	132424	B18-19
131447	B9-34	131836	B7-16	131977	B9-6	132425	B18-19
131536	B7-36	131837	B7-16	131978	B9-6	132426	B18-19
131537	B7-36	131838	B7-16	131979	B9-6	132427	B18-19
131540	B7-36	131839	B7-16	131980	B9-6	132428	B18-19
131542	B7-36	131840	B7-16	131981	B9-6	132429	B18-19
131545	B7-36	131841	B7-18	131982	B9-8	132430	B18-19
131589	B9-6	131842	B7-18	131983	B9-10	132474	B18-18
131737	B9-16	131843	B7-18	131984	B9-10	132475	B18-18
131738	B9-16	131844	B7-18	131985	B9-10	132476	B18-18
131739	B9-16	131845	B7-18	131986	B9-10	132477	B18-18
131740	B9-16	131846	B7-18	131987	B9-10	132538	B18-17
131741	B9-16	131847	B7-18	131988	B9-10	132539	B18-17
131742	B9-16	131848	B7-18	131989	B9-10	132542	B18-18, B18-22
131743	B9-16	131849	B7-18	131990	B9-10	132546	B18-13, B18-18, B18-22
131744	B9-16	131895	B7-12	131991	B9-10	132547	B18-13, B18-18, B18-22
131745	B9-16	131896	B7-12	131992	B9-10		
131746	B9-16	131897	B7-12	131993	B9-10		
131747	B9-16	131900	B7-40	131994	B9-10		

PART NUMBER INDEX



Part Number	Page	Part Number	Page	Part Number	Page	Part Number	Page
132548	B18-13, B18-18, B18-22	132991	B18-10	133961	B18-15	134519	B18-21
132549	B18-13, B18-18, B18-22	132992	B18-10	133980	B18-10	134520	B18-21
132559	B18-17	133203	B18-10	133981	B18-10	134521	B18-21
132564	B18-15, B18-17, B18-18, B18-22	133245	B18-10	133982	B18-10	134716	B18-21
132565	B18-15, B18-17, B18-18, B18-22	133250	B18-10	133983	B18-10	134717	B18-21
132566	B18-15, B18-17, B18-18, B18-22	133255	B18-10	133984	B18-10	134718	B18-21
132567	B18-15, B18-22	133260	B18-10	133985	B18-10	134719	B18-21
132591	B18-17	133265	B18-10	133986	B18-10	134720	B18-21
132594	B18-17	133270	B18-10	133987	B18-10	134721	B18-21
132597	B18-17	133275	B18-10	133988	B18-13	134779	B18-21
132766	B18-15	133280	B18-10	133989	B18-13	134796	B18-28
132767	B18-15	133285	B18-12	133990	B18-13	134798	B18-28
132768	B18-15	133292	B18-12	133991	B18-13	134800	B18-28
132811	B18-18, B18-23	133293	B18-12	133992	B18-13	134803	B18-28
132814	B18-15, B18-17, B18-18, B18-23	133294	B18-12	133993	B18-13	134806	B18-28
132816	B18-15, B18-17, B18-18, B18-23	133295	B18-12	133994	B18-13	134809	B18-28
132819	B18-15, B18-17, B18-18, B18-23	133296	B18-12	133995	B18-15, B18-17	134869	B18-21
132822	B18-15, B18-23	133297	B18-12	133996	B18-15, B18-17	134870	B18-21
132834	B18-26	133303	B18-17	133997	B18-15, B18-17	134871	B18-21
132924	B18-15	133304	B18-17	134186	B6-24	134872	B18-21
132925	B18-15	133305	B18-17	134187	B6-24	134873	B18-21
132926	B18-15	133344	B18-10, B18-25	134188	B6-24	134874	B18-21
132950	B18-10	133392	B18-15	134189	B6-24	134875	B18-21
132951	B18-10	133550	B18-15	134190	B6-24	134876	B18-21
132952	B18-12	133565	B18-17	134191	B6-24	134877	B18-21
132953	B18-12	133566	B18-17	134192	B6-24	134886	B18-21
132954	B18-12	133583	B18-10	134193	B6-24	134887	B18-21
132955	B18-12	133584	B18-10	134194	B6-24	134888	B18-21
132956	B18-12	133585	B18-10	134195	B6-24	134889	B18-21
132957	B18-12	133586	B18-10	134196	B6-24	134890	B18-21
132958	B18-12	133590	B18-12	134197	B6-24	134891	B18-21
132959	B18-10	133591	B18-12	134200	B18-12	135081	B4-73
132983	B18-10	133592	B18-12	134201	B18-12	135102	B4-73
132984	B18-10	133593	B18-12	134202	B18-12	135105	B4-73
132985	B18-10	133594	B18-12	134203	B18-12	135106	B4-73
132986	B18-10	133595	B18-12	134204	B18-12	135107	B4-73
132987	B18-10	133596	B18-12	134205	B18-12	135109	B4-73
132988	B18-10	133669	B18-15	134206	B18-12	135111	B4-73
132989	B18-10	133932	B18-13, B18-18, B18-23	134207	B18-12	135116	B4-78
132990	B18-10	133933	B18-13, B18-18, B18-23	134208	B18-12	135117	B4-78
		133937	B18-13, B18-18, B18-23	134209	B18-12	135118	B4-78
		133938	B18-13, B18-18, B18-23	134210	B18-12	135120	B4-78
		133959	B18-15	134211	B18-12	135121	B4-78
		133960	B18-15	134212	B18-12	135123	B4-80
				134213	B18-12	135125	B4-80
				134516	B18-21	135127	B4-80
				134517	B18-21	135129	B4-80
				134518	B18-21	135130	B4-80



PART NUMBER INDEX

Part Number	Page	Part Number	Page	Part Number	Page	Part Number	Page
135135	B18-27	136113	B5-50	136162	B5-52	136221	B5-54, B5-58
135136	B18-27	136114	B5-50	136163	B5-52	136222	B5-54, B5-58
135137	B18-27	136115	B5-50	136164	B5-52	136223	B5-54, B5-58
135138	B18-27	136116	B5-50	136165	B5-52	136224	B5-56, B5-58
135170	B4-73	136117	B5-50, B5-52	136166	B5-52	136225	B5-56, B5-58
135171	B4-72, B4-73	136118	B5-50	136167	B5-50, B5-52	136226	B5-56, B5-58
135172	B4-72, B4-73	136119	B5-50	136168	B5-52	136227	B5-56, B5-58
135181	B4-80	136120	B5-50	136169	B5-50, B5-52	136228	B5-56, B5-58
135182	B4-78	136122	B5-50	136170	B5-58	136229	B5-56, B5-58
135183	B4-76, B4-80	136123	B5-50	136171	B5-58	136230	B5-58
135184	B4-76, B4-80	136124	B5-50	136172	B5-58	136231	B5-60, B5-61
135185	B4-76, B4-80	136125	B5-50	136173	B5-58	136232	B5-60, B5-61
135290	B18-27	136126	B5-50	136174	B5-58	136233	B5-60, B5-61
135291	B18-27	136127	B5-50	136175	B5-58	136234	B5-60, B5-61
135292	B18-27	136128	B5-50	136176	B5-58	136235	B5-60, B5-61
135293	B18-27	136129	B5-50	136177	B5-58	136236	B5-61
135294	B18-27	136130	B5-54	136178	B5-56, B5-58	136237	B5-61
135295	B18-27	136131	B5-54	136179	B5-58	136238	B5-50
135296	B18-27	136132	B5-54	136180	B5-56, B5-58	136239	B5-50
135297	B18-27	136133	B5-54	136181	B5-58	136240	B5-50
135298	B18-27	136134	B5-54	136182	B5-56, B5-58	136241	B5-50
135299	B18-27	136135	B5-54	136183	B5-58	136242	B5-50
135700	B18-27	136136	B5-54	136184	B5-58	136243	B5-50
135704	B18-27	136137	B5-54, B5-58	136185	B5-58	136244	B5-50
135708	B18-27	136138	B5-54	136186	B5-61	136245	B5-50
135712	B18-27	136139	B5-54	136187	B5-61	136246	B5-50
135716	B18-27	136140	B5-54	136188	B5-61	136247	B5-54
135720	B18-27	136141	B5-54	136189	B5-60, B5-61	136248	B5-54
135724	B18-27	136142	B5-56	136190	B5-61	136249	B5-54
135728	B18-27	136143	B5-56	136191	B5-60, B5-61	136250	B5-54
135732	B18-27	136144	B5-56	136192	B5-61	136251	B5-54
135736	B18-27	136145	B5-56	136193	B5-60, B5-61	136252	B5-56
136070	B4-83	136146	B5-56	136194	B5-61	136253	B5-56
136071	B4-83	136147	B5-56	136195	B5-61	136254	B5-56
136072	B4-83	136148	B5-56	136196	B5-61	136255	B5-56
136073	B4-83	136149	B5-56	136197	B5-61	136257	B5-56
136074	B4-83	136150	B5-56	136198	B5-61	136258	B5-20
136075	B4-83	136151	B5-56	136210	B5-50	136259	B5-20, B7-20
136076	B4-83	136152	B5-60	136211	B5-50, B5-52	136260	B5-20
136080	B4-83	136153	B5-60	136212	B5-50, B5-52	136261	B5-20, B7-20
136081	B4-82, B4-83	136154	B5-60	136213	B5-50, B5-52	136262	B5-20, B7-20
136082	B4-82, B4-83	136155	B5-60	136214	B5-50, B5-52	136263	B5-20, B7-20
136083	B4-82, B4-83	136156	B5-60	136215	B5-50, B5-52	136264	B5-20
136084	B4-83	136157	B5-60	136216	B5-50, B5-52	136265	B5-20
136085	B4-83	136158	B5-60	136217	B5-50, B5-52	136266	B5-20
136110	B5-50	136159	B5-52	136218	B5-50, B5-52	136267	B5-20
136111	B5-50	136160	B5-52	136219	B5-54	136268	B5-30
136112	B5-50	136161	B5-52	136220	B5-54, B5-58	136269	B5-30

PART NUMBER INDEX



Part Number	Page	Part Number	Page	Part Number	Page	Part Number	Page
136270	B5-30	136321	B2-66	136369	B5-24	136528	B5-8, B5-12, B5-16, B5-20, B5-22, B5-24, B5-26, B5-28, B5-30, B5-32, B5-33, B5-34, B5-35, B5-38, B5-42, B5-44, B5-46, B5-48, B5-50, B5-52, B5-54, B5-58, B5-62, B5-66, B5-68
136271	B5-30	136322	B2-66	136370	B5-24	136529	B5-8, B5-12, B5-16, B5-18, B5-24, B5-26, B5-28, B5-32, B5-33, B5-34, B5-35, B5-38, B5-46, B5-50, B5-54, B5-62, B5-68
136272	B5-30	136323	B2-66	136371	B5-24	136530	B5-10, B5-14, B5-16, B5-24, B5-26, B5-28, B5-36, B5-40, B5-46, B5-48, B5-50, B5-54, B5-64, B5-66, B5-68
136273	B5-30	136324	B2-66	136383	B5-24	136531	B5-10, B5-14, B5-16, B5-24, B5-26, B5-28, B5-30, B5-36, B5-40, B5-46, B5-48, B5-50, B5-56, B5-64, B5-66, B5-68
136274	B5-30	136325	B2-66	136384	B5-24	136532	B5-10, B5-14, B5-16, B5-18, B5-24, B5-26, B5-28, B5-36, B5-40, B5-46, B5-50, B5-56, B5-64, B5-68
136275	B5-42	136326	B2-66	136385	B5-24	136533	B5-10, B5-14, B5-16, B5-18, B5-24, B5-26, B5-28, B5-36, B5-40, B5-46, B5-50, B5-56, B5-64, B5-68
136276	B5-42	136327	B2-66	136386	B5-24	136534	B5-10, B5-14, B5-16, B5-18, B5-24, B5-26, B5-28, B5-33, B5-36, B5-40, B5-46, B5-50, B5-56, B5-60, B5-64, B5-68
136277	B5-42	136328	B2-66	136387	B5-24	136535	B5-10, B5-14, B5-16, B5-18, B5-24, B5-26, B5-28, B5-33, B5-36, B5-40, B5-46, B5-50, B5-56, B5-60, B5-64, B5-68
136278	B5-42	136329	B2-66	136388	B5-24		
136279	B5-42	136330	B2-66	136389	B5-24		
136280	B5-42	136331	B5-32	136521	B5-8, B5-12, B5-16, B5-26, B5-28, B5-32, B5-34, B5-35, B5-38, B5-62, B5-68		
136281	B5-42	136332	B5-32	136522	B5-8, B5-12, B5-16, B5-24, B5-26, B5-28, B5-32, B5-33, B5-34, B5-35, B5-38, B5-50, B5-54, B5-62, B5-68		
136282	B5-42	136333	B5-32	136523	B5-8, B5-12, B5-16, B5-24, B5-26, B5-28, B5-32, B5-33, B5-34, B5-35, B5-38, B5-50, B5-54, B5-62, B5-68		
136283	B5-42	136334	B5-32	136524	B5-8, B5-16, B5-18, B5-24, B5-26, B5-28, B5-32, B5-33, B5-34, B5-35, B5-38, B5-50, B5-54, B5-62, B5-68		
136284	B5-42	136335	B5-32	136525	B5-8, B5-12, B5-16, B5-24, B5-26, B5-28, B5-32, B5-33, B5-34, B5-35, B5-38, B5-46, B5-50, B5-54, B5-62, B5-68		
136285	B5-42	136336	B5-32	136526	B5-8, B5-12, B5-16, B5-18, B5-24, B5-26, B5-28, B5-32, B5-33, B5-34, B5-35, B5-38, B5-46, B5-50, B5-54, B5-62, B5-68		
136286	B5-48	136337	B5-32	136527	B5-8, B5-12, B5-16, B5-18, B5-24, B5-26, B5-28, B5-32, B5-33, B5-34, B5-35, B5-38, B5-46, B5-50, B5-54, B5-62, B5-68		
136287	B5-48	136338	B5-32				
136288	B5-48	136339	B5-32				
136289	B5-48	136340	B5-32				
136290	B5-48	136341	B5-32				
136291	B5-48	136342	B5-32				
136293	B5-48	136343	B5-34				
136294	B5-48	136344	B5-34				
136295	B5-48	136345	B5-34				
136296	B5-52	136346	B5-34				
136297	B5-52	136347	B5-34				
136298	B5-52	136348	B5-34				
136299	B5-52	136349	B5-34				
136300	B5-52	136350	B5-34				
136301	B5-52	136351	B5-34				
136302	B5-52	136352	B5-34				
136303	B5-58	136353	B5-34				
136304	B5-58	136354	B5-34				
136305	B5-58	136355	B5-32				
136306	B5-58	136356	B5-32				
136307	B5-58	136357	B5-32				
136308	B5-58	136358	B5-32				
136309	B5-58	136359	B5-32				
136310	B5-58	136360	B5-34				
136311	B5-58	136361	B5-34				
136312	B5-58	136362	B5-34				
136315	B2-66	136363	B5-34				
136316	B2-66	136364	B5-34				
136317	B2-66	136365	B5-24				
136318	B2-66	136366	B5-24				
136319	B2-66	136367	B5-24				
136320	B2-66	136368	B5-24				

PART NUMBER INDEX

Part Number	Page	Part Number	Page	Part Number	Page	Part Number	Page
136536	B5-10, B5-14, B5-16, B5-18, B5-26, B5-28, B5-36, B5-40, B5-46, B5-50, B5-56, B5-60, B5-64, B5-68	136548	B5-10, B5-14, B5-20, B5-22, B5-36, B5-40, B5-42, B5-44, B5-46, B5-48, B5-56, B5-58, B5-60, B5-61, B5-64, B5-66, B5-68	136558	B5-10, B5-14, B5-16, B5-18, B5-24, B5-26, B5-28, B5-36, B5-40, B5-46, B5-50, B5-56, B5-60, B5-64, B5-68	136571	B5-20, B5-22, B5-42, B5-44, B5-48, B5-66, B5-68
136537	B5-10, B5-14, B5-16, B5-18, B5-26, B5-28, B5-36, B5-40, B5-46, B5-50, B5-56, B5-60, B5-64, B5-68	136549	B5-20, B5-22, B5-42, B5-44, B5-58, B5-61, B5-66, B5-68	136559	B5-10, B5-14, B5-16, B5-18, B5-26, B5-28, B5-36, B5-40, B5-46, B5-50, B5-56, B5-60, B5-64, B5-68	136574	B5-12
136538	B5-10, B5-14, B5-16, B5-18, B5-26, B5-28, B5-36, B5-40, B5-46, B5-50, B5-56, B5-60, B5-64, B5-68	136550	B5-20, B5-22, B5-42, B5-44, B5-48, B5-58, B5-61, B5-66, B5-68	136560	B5-46, B5-56, B5-60, B5-64, B5-68	136588	B5-8, B5-12, B5-16, B5-26, B5-28, B5-32, B5-34, B5-35, B5-38, B5-62, B5-68
136539	B5-46, B5-56, B5-64, B5-68	136551	B5-20, B5-22, B5-42, B5-44, B5-48, B5-58, B5-61, B5-66, B5-68	136561	B5-20, B5-22, B5-30, B5-42, B5-44, B5-48, B5-52, B5-58, B5-66, B5-68	136589	B5-8, B5-12, B5-16, B5-26, B5-28, B5-32, B5-35, B5-38, B5-50, B5-54, B5-62, B5-68
136540	B5-10, B5-14, B5-16, B5-36, B5-40, B5-56, B5-64, B5-68	136552	B5-20, B5-22, B5-42, B5-44, B5-48, B5-61, B5-66, B5-68	136562	B5-20, B5-22, B5-30, B5-42, B5-44, B5-48, B5-52, B5-58, B5-66, B5-68	136590	B5-8, B5-12, B5-16, B5-24, B5-26, B5-28, B5-32, B5-33, B5-34, B5-35, B5-38, B5-50, B5-54, B5-62, B5-68
136541	B5-20, B5-22, B5-30, B5-42, B5-44, B5-48, B5-52, B5-58, B5-66, B5-68	136553	B5-8, B5-12, B5-16, B5-24, B5-26, B5-28, B5-32, B5-34, B5-35, B5-38, B5-50, B5-54, B5-62, B5-68	136563	B5-20, B5-22, B5-30, B5-42, B5-44, B5-48, B5-52, B5-58, B5-66, B5-68	136591	B5-8, B5-12, B5-16, B5-24, B5-26, B5-28, B5-32, B5-33, B5-34, B5-35, B5-38, B5-46, B5-50, B5-54, B5-62, B5-68
136542	B5-20, B5-22, B5-30, B5-42, B5-44, B5-48, B5-52, B5-58, B5-66, B5-68	136554	B5-8, B5-12, B5-16, B5-18, B5-24, B5-26, B5-28, B5-32, B5-34, B5-35, B5-38, B5-50, B5-54, B5-62, B5-68	136564	B5-20, B5-22, B5-30, B5-42, B5-44, B5-48, B5-52, B5-58, B5-66, B5-68	136592	B5-10, B5-14, B5-16, B5-24, B5-26, B5-28, B5-36, B5-40, B5-46, B5-50, B5-54, B5-64, B5-68
136543	B5-20, B5-22, B5-30, B5-42, B5-44, B5-48, B5-52, B5-58, B5-66, B5-68	136555	B5-8, B5-12, B5-16, B5-18, B5-24, B5-26, B5-28, B5-32, B5-34, B5-35, B5-38, B5-46, B5-50, B5-54, B5-62, B5-68	136565	B5-20, B5-22, B5-30, B5-42, B5-44, B5-48, B5-52, B5-58, B5-68	136593	B5-10, B5-14, B5-16, B5-24, B5-26, B5-28, B5-36, B5-40, B5-46, B5-50, B5-54, B5-64, B5-68
136544	B5-20, B5-22, B5-30, B5-42, B5-44, B5-48, B5-52, B5-58, B5-61, B5-66, B5-68	136556	B5-8, B5-12, B5-16, B5-18, B5-24, B5-26, B5-28, B5-32, B5-34, B5-35, B5-38, B5-46, B5-50, B5-54, B5-62, B5-68	136566	B5-20, B5-22, B5-30, B5-42, B5-44, B5-48, B5-52, B5-58, B5-66, B5-68	136594	B5-10, B5-14, B5-16, B5-18, B5-26, B5-28, B5-36, B5-40, B5-46, B5-50, B5-56, B5-60, B5-64, B5-68
136545	B5-20, B5-22, B5-30, B5-42, B5-44, B5-48, B5-52, B5-58, B5-61, B5-66, B5-68	136557	B5-10, B5-14, B5-16, B5-18, B5-26, B5-28, B5-36, B5-40, B5-46, B5-50, B5-56, B5-64, B5-68	136567	B5-22, B5-30, B5-42, B5-44, B5-48, B5-52, B5-58, B5-66, B5-68	136595	B5-10, B5-14, B5-16, B5-36, B5-40, B5-56, B5-64, B5-68
136546	B5-20, B5-22, B5-30, B5-42, B5-44, B5-48, B5-52, B5-58, B5-61, B5-66, B5-68			136568	B5-10, B5-14, B5-20, B5-22, B5-36, B5-40, B5-42, B5-44, B5-48, B5-58, B5-66, B5-68	136596	B5-10, B5-14, B5-16, B5-36, B5-40, B5-56, B5-64, B5-68
136547	B5-14, B5-20, B5-22, B5-36, B5-40, B5-42, B5-44, B5-48, B5-58, B5-61, B5-66, B5-68			136569	B5-20, B5-22, B5-42, B5-44, B5-58, B5-66, B5-68	136597	B5-20, B5-22, B5-30, B5-42, B5-44, B5-52, B5-58, B5-66, B5-68
				136570	B5-20, B5-22, B5-42, B5-44, B5-48, B5-58, B5-66, B5-68		

PART NUMBER INDEX



Part Number	Page	Part Number	Page	Part Number	Page	Part Number	Page
136598	B5-20, B5-22, B5-30, B5-42, B5-44, B5-48, B5-52, B5-58, B5-66, B5-68	136714	B1-19	136762	B1-26	136829	B1-27
		136715	B1-19	136763	B1-26	136830	B1-27
		136716	B1-19	136764	B1-26	136831	B1-27
		136717	B1-19	136765	B1-26	136832	B1-27
136599	B5-20, B5-22, B5-30, B5-42, B5-44, B5-48, B5-52, B5-58, B5-61, B5-66, B5-68	136718	B1-19	136766	B1-26	136833	B1-32
		136719	B1-23	136767	B1-26	136834	B1-32
		136720	B1-23	136768	B1-26	136835	B1-32
		136721	B1-23	136769	B1-28	136836	B1-32
136600	B5-10, B5-14, B5-16, B5-20, B5-22, B5-26, B5-28, B5-30, B5-36, B5-40, B5-42, B5-44, B5-46, B5-48, B5-50, B5-52, B5-56, B5-58, B5-61, B5-64, B5-66, B5-68	136722	B1-23	136770	B1-28	136837	B1-32
		136723	B1-23	136771	B1-28	136838	B1-32
		136724	B1-23	136772	B1-28	136839	B1-32
		136725	B1-26	136773	B1-16	136840	B1-32
		136726	B1-26	136774	B1-16	136841	B1-30
		136727	B1-26	136775	B1-16	136842	B1-30
		136728	B1-26	136776	B1-16	136843	B1-30
		136729	B1-26	136777	B1-16	136844	B1-30
136601	B5-10, B5-14, B5-16, B5-20, B5-22, B5-26, B5-28, B5-30, B5-36, B5-40, B5-42, B5-44, B5-46, B5-48, B5-50, B5-52, B5-56, B5-58, B5-61, B5-64, B5-66, B5-68	136730	B1-26	136778	B1-16	136845	B1-30
		136131	B1-26	136779	B1-16	136846	B1-30
		136132	B1-26	136780	B1-16	136847	B1-30
		136133	B1-26	136781	B1-16	136848	B1-30
		136734	B1-28	136782	B1-16	136849	B1-16
		136735	B1-28	136783	B1-16	136850	B1-16
		136736	B1-28	136784	B1-18	136851	B1-16
		136737	B1-28	136785	B1-18	136852	B1-16
136602	B5-20	136738	B1-28	136786	B1-18	136853	B1-16
136603	B5-20, B5-22, B5-42, B5-44, B5-48, B5-61, B5-66, B5-68	136739	B1-28	136787	B1-18	136854	B1-16
		136740	B1-15	136788	B1-18	136855	B1-18
		136741	B1-15	136789	B1-18	136856	B1-18
136657	B5-24	136742	B1-15	136792	B1-18	136857	B1-18
136695	B1-15	136743	B1-15	136793	B1-20	136858	B1-18
136696	B1-15	136744	B1-15	136794	B1-20	136859	B1-18
136697	B1-15	136745	B1-15	136795	B1-20	136860	B1-18
136698	B1-15	136746	B1-15	136796	B1-20	136861	B1-20
136699	B1-15	136747	B1-17	136797	B1-20	136862	B1-20
136700	B1-15	136748	B1-17	136798	B1-20	136863	B1-20
136701	B1-15	136749	B1-17	136799	B1-20	136864	B1-20
136702	B1-15	136750	B1-17	136800	B1-20	136865	B1-20
136703	B1-15	136751	B1-19	136801	B1-24	136866	B1-20
136704	B1-17	136752	B1-19	136802	B1-24	136867	B1-24
136705	B1-17	136753	B1-19	136803	B1-24	136868	B1-24
136706	B1-17	136754	B1-19	136804	B1-24	136869	B1-24
136707	B1-17	136755	B1-19	136805	B1-24	136870	B1-24
136708	B1-17	136756	B1-19	136806	B1-24	136872	B1-24
136709	B1-17	136757	B1-19	136808	B1-24	136885	B1-27
136710	B1-19	136758	B1-23	136825	B1-27	136886	B1-27
136711	B1-19	136759	B1-23	136826	B1-27	136887	B1-27
136712	B1-19	136760	B1-23	136827	B1-27	136888	B1-27
136713	B1-19	136761	B1-23	136828	B1-27	136889	B1-27



PART NUMBER INDEX

Part Number	Page	Part Number	Page	Part Number	Page	Part Number	Page
136890	B1-27	136959	B2-29	230056	B17-44	389927	B8-24
136891	B1-32	136960	B2-29	230059	B17-44	389928	B8-24
136892	B1-32	136961	B2-34	230062	B17-44	389929	B8-24
136893	B1-32	136962	B2-34	230065	B17-44	389930	B8-24
136894	B1-32	136963	B2-34	230068	B17-44	389931	B8-24
136895	B1-32	136964	B2-34	230071	B17-44	389932	B8-24
136896	B1-32	136965	B2-34	230074	B17-44	389933	B8-24
136897	B1-30	136974	B2-38	230077	B17-44	389934	B8-24
136898	B1-30	136975	B2-38	230080	B17-44	389935	B8-24
136899	B1-30	136976	B2-38	230134	B17-44	389936	B8-24
136900	B1-30	136977	B2-38	230137	B17-44	389937	B8-24
136901	B1-30	136978	B2-38	230140	B17-44	389938	B8-24
136902	B1-30	136979	B2-38	231063	B17-52	389939	B8-24
136912	B2-29	136980	B2-39	231069	B17-52	389940	B8-24
136913	B2-29	136981	B2-39	231075	B17-52	389941	B8-24
136914	B2-29	136982	B2-39	231081	B17-52	405015	B17-34
136915	B2-29	136983	B2-39	231087	B17-52	407036	B15-112
136916	B2-29	136984	B2-39	231096	B17-52	407302	B15-112, B15-124
136917	B2-29	136985	B2-39	231102	B17-52	407305	B15-112, B15-124
136918	B2-29	136986	B1-15	231108	B17-52	407306	B15-124
136919	B2-29	136987	B1-19	231114	B17-52	416173	B19-38
136920	B2-34	136988	B1-26	231120	B17-52	416229	B19-38
136921	B2-34	136989	B1-16	231126	B17-52	416231	B19-38
136922	B2-34	136990	B1-18	231135	B17-52	416275	B19-38
136923	B2-34	136991	B1-20	231141	B17-52	419008	B15-113, B15-124
136924	B2-34	136992	B1-24	231150	B17-52	419150	B15-103, B15-111, B15-113, B15-124
136925	B2-34	136993	B1-27	389820	B18-25	419151	B15-113, B15-124
136926	B2-34	136994	B1-32	389821	B18-25	419152	B15-103, B15-111, B15-113, B15-124
136939	B2-38	136995	B1-30	389822	B18-25	419153	B15-113, B15-124
136940	B2-38	136997	B2-38	389823	B18-25	419154	B15-103, B15-111, B15-113, B15-124
136941	B2-38	136998	B2-39	389824	B18-25	419156	B15-103, B15-111
136942	B2-38	137101	B18-18	389825	B18-25	419158	B15-103, B15-111, B15-115, B15-124
136943	B2-38	137102	B18-18	389826	B18-25	419160	B15-103, B15-111, B15-115, B15-124
136944	B2-38	137103	B18-18	389827	B18-25	419162	B15-103, B15-111, B15-115, B15-124
136945	B2-38	137104	B18-18	389828	B18-25	419164	B15-103, B15-111, B15-115, B15-124
136946	B2-38	137105	B18-18	389829	B18-25	419166	B15-103, B15-111, B15-115, B15-124
136947	B2-39	137106	B18-18	389830	B18-25	419168	B15-103, B15-111, B15-115, B15-124
136948	B2-39	137107	B18-18	389831	B18-25	419170	B15-103, B15-111, B15-115, B15-124
136949	B2-39	137108	B18-18	389832	B18-25		
136950	B2-39	137109	B18-18	389833	B18-25		
136951	B2-39	137110	B18-18	389834	B18-25		
136952	B2-39	137111	B18-18	389835	B18-25		
136953	B2-39	139292	B5-48	389836	B18-25		
136954	B2-39	139424	B1-16	389837	B18-25		
136955	B2-29	140494	B1-16	389923	B4-97, B8-24		
136956	B2-29	163256	B5-56	389924	B4-97, B8-24		
136957	B2-29	230050	B17-44	389925	B8-24		
136958	B2-29	230053	B17-44	389926	B8-24		

PART NUMBER INDEX



Part Number	Page	Part Number	Page	Part Number	Page	Part Number	Page
419171	B15-103, B15-111	421270	B15-101, B15-107, B16-31	422001	B15-26, B15-32, B15-43, B15-54, B15-70, B16-34	422031	B15-30, B15-34, B15-43, B15-70, B16-43, B16-47
419172	B15-103, B15-111, B15-115, B15-124	421271	B15-101, B15-107, B16-31	422003	B15-26, B15-32, B15-43, B15-70, B16-34	422035	B15-95, B15-98
419174	B15-103, B15-111	421272	B15-101, B15-107, B16-31	422005	B15-26, B15-32, B15-43, B15-54, B15-70, B16-34	422036	B15-85, B15-92
419176	B15-103, B15-111, B15-115, B15-124	421273	B15-101, B15-107, B16-31	422007	B15-26, B15-32, B15-43, B15-70, B16-34	422054	B15-85, B15-92
419178	B15-103, B15-111	421274	B15-101, B15-107, B16-31	422009	B15-28, B15-32, B15-33, B15-43, B15-54, B15-70, B16-34	422064	B15-28, B15-33, B15-43, B15-70
419180	B15-113, B15-124	421275	B15-101, B15-107, B16-31	422011	B15-28, B15-33, B15-43, B15-54, B15-70, B16-34	422123	B15-26, B15-32, B15-43, B15-70, B16-34
419181	B15-113, B15-124	421276	B15-101, B15-107	422013	B15-28, B15-33, B15-43, B15-70, B16-34	422124	B15-26, B15-32, B15-43, B15-70, B16-34
419182	B15-113, B15-124	421277	B15-101, B15-107	422015	B15-28, B15-33, B15-43, B15-54, B15-70, B16-34	422134	B15-26, B15-32, B15-43, B16-34
419183	B15-113, B15-124	421278	B15-101, B15-107	422017	B15-28, B15-33, B15-43, B15-54, B15-70, B16-34	422137	B15-26, B15-32, B15-43, B16-34
419184	B15-112, B15-124	421279	B15-101, B15-107	422019	B15-28, B15-33, B15-43, B15-70, B16-34	422140	B15-95, B15-98
419185	B15-112, B15-124	421280	B15-101, B15-107	422021	B15-28, B15-33, B15-43, B15-70, B16-34	422502	B15-84
419187	B15-112, B15-124	421282	B15-85, B15-92, B16-43	422023	B15-28, B15-33, B15-43, B15-54, B15-70	422511	B15-84, B15-92
419188	B15-112, B15-124	421283	B15-85, B15-92	422025	B15-28, B15-33, B15-43, B15-70	422525	B15-85, B15-93
420030	B16-47	421284	B15-85, B15-92	422027	B15-28, B15-33, B15-43, B15-54, B15-70	422529	B15-84, B15-85
421243	B13-16	421285	B15-84, B15-92	422029	B15-28, B15-30, B15-33, B15-34, B15-43, B15-70	422531	B15-84, B15-85, B15-92
421244	B13-16	421286	B15-84, B15-92	422030	B15-30, B15-34, B15-43, B15-70, B16-43	422535	B15-85, B15-91
421245	B13-16	421287	B15-84, B15-85, B15-92, B16-45, B16-49			422538	B15-31, B15-44, B15-71
421246	B13-16	421288	B15-85, B15-92			422542	B15-30, B15-35
421247	B13-16	421289	B15-85, B15-92			422543	B15-30, B15-34, B15-43, B15-70
421248	B13-16	421290	B15-84, B15-92			422544	B15-30
421249	B13-16	421291	B15-84, B15-92			422545	B15-31, B15-34, B15-41, B15-84, B15-91
421250	B13-16	421292	B15-84, B15-92			422554	B15-45, B15-125
421251	B13-16	421293	B15-85, B15-92			422555	B15-67
421252	B13-16	421294	B15-84, B15-92			422556	B15-65
421253	B13-16	421362	B13-21			422560	B15-30, B15-35
421254	B13-16	421363	B13-21			422567	B15-31, B15-44, B15-71
421255	B13-16	421364	B13-21			422571	B15-67
421256	B13-16	421365	B13-21			422572	B15-65
421257	B13-16	421366	B13-21			422573	B15-31, B15-34, B15-41, B15-69, B15-84, B15-91
421258	B13-16	421367	B13-21			422576	B15-84, B15-93
421259	B13-16	421368	B13-21			422580	B15-84
421260	B16-31	421369	B13-21				
421261	B16-31	421370	B13-21				
421262	B16-31	421371	B13-21				
421263	B16-31	421372	B13-21				
421264	B16-31	421396	B16-31				
421265	B15-101, B15-107, B16-31	421399	B16-35				
421266	B15-101, B15-107, B16-31	421403	B16-45, B16-49				
421267	B15-101, B15-107, B16-31						
421268	B15-101, B15-107, B16-31						
421269	B15-101, B15-107, B16-31						



PART NUMBER INDEX

Part Number	Page	Part Number	Page	Part Number	Page	Part Number	Page
422582	B15-84, B15-92	423112	B15-98	430087	B17-34	434727	B18-13, B18-15, B18-18, B18-26
422588	B15-84, B15-91	423114	B15-95, B15-98	430153	B18-29	434728	B18-26
422594	B15-31, B15-41, B15-69, B15-84, B15-91	423116	B15-95, B15-98	430155	B18-13, B18-15, B18-17	434729	B18-15, B18-17, B18-18, B18-26
422595	B17-29	423118	B15-95, B15-98	430198	B18-13	434730	B18-26
422596	B17-29	423120	B15-95, B15-98	430561	B18-15	434735	B18-18, B18-26
422597	B17-29	423122	B15-95, B15-98	430831	B18-15	434736	B18-26
422599	B17-29	423124	B15-112, B15-121, B16-37	431389	B18-15	434770	B18-24
422600	B17-29	423125	B15-112, B15-121, B16-37	431399	B18-15	434771	B18-24, B18-25
422601	B17-29	423126	B15-112, B15-121, B16-37	432153	B18-13	434772	B18-24, B18-25
422602	B17-29	423127	B15-112, B15-121, B16-37	432165	B18-21	434773	B18-24, B18-25
422603	B17-29	423128	B15-112, B15-121, B16-37	432181	B18-13, B18-18, B18-23	434774	B18-24
422604	B11-45	423129	B15-112, B15-121, B16-37	432184	B18-13, B18-18, B18-23	434775	B18-24
422606	B15-31, B15-41, B15-69	423130	B15-112, B15-121, B16-37	432187	B18-13, B18-18, B18-23	434797	B18-25
422843	B15-85, B15-93	423131	B15-112, B15-121, B16-37	432190	B18-13, B18-18, B18-22	434835	B18-26
422844	B15-84, B15-85, B15-92	423132	B15-114, B15-121, B16-37	432193	B18-13, B18-18, B18-22	435001	B18-24
422978	B16-34	423133	B15-114, B15-121	432196	B18-13, B18-18, B18-22	435002	B18-24
422979	B16-34	423134	B15-114, B15-121	432276	B18-21	435003	B18-24
422980	B15-48, B15-50	423135	B15-114, B15-121	432277	B18-21	435004	B18-24
422981	B15-48, B15-50	423136	B15-114, B15-121	432278	B18-21	435005	B18-24
422982	B15-48, B15-50	423137	B15-114, B15-121	432279	B18-21	435006	B18-24
422983	B15-48, B15-50	423138	B15-114, B15-121	432448	B18-21	435007	B18-24
422984	B15-48, B15-50	423139	B15-114, B15-121	433326	B18-29	435008	B18-24
422985	B15-48, B15-50	423140	B15-114, B15-121	434706	B18-31	435009	B18-24
422986	B15-48, B15-49, B15-50, B15-51	423143	B15-112, B15-121, B16-37	434707	B18-31	435010	B18-24
422987	B15-49, B15-51	423144	B15-112, B15-121, B16-37	434708	B18-31	435011	B18-24
422988	B15-49, B15-51	423145	B16-37	434709	B18-31	435012	B18-24, B18-25
422989	B15-49, B15-51	423372	B15-95, B15-98, B16-39	434710	B18-31	435013	B18-24, B18-25
422990	B15-49, B15-51	423373	B15-95, B15-98, B16-39	434711	B18-31	435014	B18-24
422991	B15-49, B15-51	423374	B16-39	434712	B18-31	435015	B18-24, B18-25
422992	B15-49, B15-51	423375	B16-39	434713	B18-31	435016	B18-24, B18-25
422996	B16-31	423376	B16-39	434714	B18-31	435017	B18-24
423100	B15-98, B16-39	430020	B4-102, B5-73, B6-62, B6-65, B6-67	434715	B18-31	435018	B18-24, B18-25
423102	B15-95, B15-98, B16-39	430081	B17-34	434716	B18-31	435019	B18-24, B18-25
423104	B15-95, B15-98, B16-39	430086	B17-34	434719	B18-11, B18-26	435021	B18-25
423106	B15-95, B15-98, B16-39			434720	B18-26	435022	B18-24
423108	B15-95, B15-98, B16-39			434721	B18-13, B18-18, B18-26	435027	B18-24
423110	B15-95, B15-98, B16-39			434722	B18-26	435028	B18-24
				434725	B18-13, B18-18, B18-26	435029	B18-24
				434726	B18-26	435030	B18-24
						435031	B18-24
						435032	B18-24
						435033	B18-25
						435035	B18-25
						435036	B18-25
						435037	B18-25
						435038	B18-25
						435039	B18-25

PART NUMBER INDEX



Part Number	Page	Part Number	Page	Part Number	Page	Part Number	Page
435040	B18-25	496421	B16-39	496472	B16-33	703726	B16-43
456225	B17-57	496422	B16-39	496473	B16-33	703738	B16-43, B16-47
456226	B17-57	496423	B16-39	496474	B16-33	703739	B16-43, B16-47
456227	B17-57	496424	B16-39	496475	B16-33	703831	B16-45, B16-49
456228	B17-57	496425	B16-39	496476	B16-33	703840	B16-45, B16-49
456229	B17-57	496426	B16-39	496477	B16-33	703850	B16-45, B16-49
456230	B17-57	496427	B16-39	496478	B16-33	703866	B16-45, B16-49
456231	B17-57	496428	B16-39	496479	B16-33	703873	B16-45, B16-49
456232	B17-57	496429	B16-39	496480	B16-33	703890	B16-45, B16-49
456234	B17-57	496430	B16-39	496482	B16-34	703892	B16-45, B16-49
456235	B17-57	496431	B16-39	496483	B16-34	703903	B16-45, B16-49
456236	B17-57	496432	B16-39	496484	B16-34	703941	B16-34
456237	B17-57	496433	B16-39	496485	B16-34	703943	B16-31
456238	B17-57	496434	B16-39	496486	B16-34	703951	B16-34
456239	B17-57	496435	B16-39	496487	B16-34	703967	B16-31, B16-34
460901	B15-101, B15-111, B15-112, B15-124	496436	B16-39	496488	B16-34	703971	B16-34
460902	B15-101, B15-111, B15-112, B15-124	496437	B16-39	496489	B16-34	703976	B16-31
460903	B15-101, B15-111, B15-112, B15-124	496438	B16-39	496490	B16-34	703982	B16-34
460904	B15-101, B15-111	496439	B16-39	496491	B16-34	703989	B16-34
460905	B15-101, B15-111, B15-124	496440	B16-39	496492	B16-34	703990	B16-31
460906	B15-101, B15-111, B15-124	496442	B16-39	496493	B16-34	703996	B16-34
492598	B17-29	496443	B16-39	496494	B16-34	708959	B16-30, B16-34, B16-37, B16-39
496400	B16-37	496444	B16-39	496495	B16-34	708966	B16-30, B16-34, B16-37, B16-39, B16-41
496401	B16-37	496446	B16-33	496496	B16-34	708970	B16-30, B16-34, B16-37, B16-39, B16-41
496402	B16-37	496447	B16-33	496497	B16-34	708976	B16-30, B16-34, B16-37, B16-39, B16-41
496403	B16-37	496448	B16-33	496498	B16-34	708983	B16-30, B16-34, B16-37, B16-39, B16-41
496404	B16-37	496449	B16-33	701659	B16-35	708989	B16-41
496405	B16-37	496450	B16-33	702830	B16-35	709137	B16-30, B16-34
496406	B16-37	496451	B16-33	702844	B16-35	709140	B16-30, B16-34, B16-37, B16-39
496407	B16-37	496452	B16-33	702857	B16-35	709143	B16-30, B16-34, B16-37, B16-39
496408	B16-37	496453	B16-33	702867	B16-35	709146	B16-30, B16-34, B16-37, B16-39
496409	B16-37	496454	B16-33	702883	B16-35	709152	B16-30, B16-34, B16-37, B16-39
496410	B16-37	496455	B16-33	702893	B16-35	709162	B16-30, B16-34, B16-37, B16-39
496411	B16-37	496456	B16-33	702904	B16-35		
496412	B16-39	496457	B16-33	702907	B16-35		
496413	B16-39	496458	B16-33	703619	B16-41		
496414	B16-39	496459	B16-33	703628	B16-41		
496415	B16-39	496460	B16-33	703644	B16-41		
496416	B16-39	496461	B16-33	703656	B16-41		
496417	B16-39	496462	B16-33	703661	B16-41		
496418	B16-39	496464	B16-33	703670	B16-41		
496419	B16-39	496465	B16-33	703679	B16-41		
496420	B16-39	496466	B16-33	703689	B16-41		
		496467	B16-33	703694	B16-43, B16-47		
		496468	B16-33	703711	B16-43, B16-47		
		496469	B16-33	703725	B16-43, B16-47		
		496470	B16-33				
		496471	B16-33				



PART NUMBER INDEX

Part Number	Page	Part Number	Page	Part Number	Page	Part Number	Page
709166	B16-30, B16-34, B16-37, B16-39	719480	B16-45, B16-49	740381	B16-30, B16-34	747034	B16-30, B16-33, B16-37, B16-39
712225	B16-31, B16-35	719485	B16-45, B16-49	740382	B16-30, B16-34	747035	B16-30, B16-33, B16-37, B16-39
713571	B16-30	719489	B16-45, B16-49	740383	B16-30, B16-34, B16-41	747036	B16-30, B16-33, B16-37, B16-39
713579	B16-30	719491	B16-45, B16-49	740384	B16-30, B16-34, B16-41	747037	B16-30, B16-33, B16-37, B16-39
713586	B16-30	719492	B16-45, B16-49	740452	B16-31, B16-35, B16-37, B16-39	747038	B16-30, B16-33
713588	B16-30	719499	B16-34, B16-35	740453	B16-31, B16-35, B16-37, B16-39	747039	B16-30, B16-33
713596	B16-30, B16-41	725341	B16-30	740623	B16-31	747040	B16-30, B16-33
713600	B16-30	725342	B16-30, B16-41	741031	B16-31	747041	B16-30, B16-33
713603	B16-30, B16-41	725343	B16-30, B16-41	741550	B16-31	747042	B16-41
713613	B16-30, B16-41	725344	B16-30, B16-41	744975	B16-12	747043	B16-41
713616	B16-30	725345	B16-30, B16-41	744976	B16-12	747044	B16-41
713622	B16-30, B16-41	725346	B16-41	744977	B16-12	747045	B16-41
713633	B16-30	725357	B16-30	744978	B16-12	747046	B16-41
713634	B16-30, B16-41	725358	B16-30	744979	B16-12	747047	B16-41
713641	B16-30, B16-41	725359	B16-30	744980	B16-12	747048	B16-41
713647	B16-30, B16-41	725360	B16-30	744981	B16-12	747049	B16-41
719372	B16-35	725361	B16-30	744982	B16-12	747105	B16-31, B16-34, B16-35
719373	B16-35	725363	B16-30	744983	B16-12	747107	B16-37, B16-39
719374	B16-35	725364	B16-30	744984	B16-12	747108	B16-31, B16-34, B16-35
719375	B16-35	725366	B16-30	744985	B16-12	747110	B16-37, B16-39
719376	B16-35	734772	B18-25	744986	B16-12	747111	B16-31, B16-34, B16-35
719378	B16-35	738145	B16-30	744987	B16-12	747114	B16-37, B16-39
719379	B16-35	738146	B16-30	744988	B16-12	747115	B16-31, B16-34, B16-35
719380	B16-35	738147	B16-30	744989	B16-12	747117	B16-37, B16-39
719381	B16-35	738148	B16-30	744990	B16-12	747118	B16-31, B16-34, B16-35
719382	B16-35	738149	B16-30	744991	B16-12	747120	B16-37, B16-39
719383	B16-35	738151	B16-30	747025	B16-30, B16-33	747121	B16-31, B16-34, B16-35
719385	B16-35	738152	B16-30	747026	B16-30, B16-33, B16-37, B16-39	747122	B16-37, B16-39
719397	B16-39	738154	B16-30	747027	B16-30, B16-33, B16-37, B16-39	747123	B16-31, B16-34, B16-35
719400	B16-35	738155	B16-30	747028	B16-30, B16-33, B16-37, B16-39	747124	B16-37
719406	B16-35	738157	B16-30, B16-41	747029	B16-30, B16-33, B16-37, B16-39	747125	B16-31, B16-34, B16-35
719408	B16-35	738158	B16-30, B16-41	747030	B16-30, B16-33, B16-37, B16-39	747126	B16-37, B16-39
719419	B16-41	738160	B16-30, B16-41	747031	B16-30, B16-33, B16-37, B16-39	747128	B16-31, B16-34, B16-35
719420	B16-41	738162	B16-30, B16-41	747032	B16-30, B16-33, B16-37	747129	B16-37, B16-39
719421	B16-41	738163	B16-41	747033	B16-30, B16-33, B16-37, B16-39		
719422	B16-41	738164	B16-30				
719423	B16-41	738165	B16-41				
719425	B16-41	738166	B16-30				
719429	B16-41	738167	B16-41				
719432	B16-43, B16-47	738168	B16-30				
719434	B16-43, B16-47	738169	B16-41				
719437	B16-43, B16-47	738170	B16-30				
719441	B16-43, B16-47	739145	B16-35				
719443	B16-43, B16-47	739150	B16-35				
719445	B16-43, B16-47	739153	B16-35				
719446	B16-43, B16-47	739154	B16-35				
719448	B16-43, B16-47	739154	B16-35				
		739329	B16-34				

PART NUMBER INDEX



Part Number	Page	Part Number	Page	Part Number	Page	Part Number	Page
747130	B16-31, B16-34, B16-35	747185	B16-35	747237	B16-26	747400	B16-34
747131	B16-37, B16-39, B16-41	747186	B16-35	747238	B16-26	747600	B16-45
747132	B16-31, B16-34, B16-35	747187	B16-35	747239	B16-26	747601	B16-45
747135	B16-37, B16-39	747188	B16-35	747240	B16-26	747602	B16-43
747136	B16-41	747189	B16-31, B16-35	747241	B16-26	747603	B16-45
747137	B16-31, B16-34, B16-35	747190	B16-31, B16-35	747242	B16-26	747604	B16-43, B16-45
747138	B16-41	747191	B16-31, B16-35	747243	B16-26	747605	B16-43
747139	B16-37, B16-39	747192	B16-31, B16-35	747244	B16-26	747606	B16-45
747141	B16-31, B16-34	747193	B16-31, B16-35	747245	B16-26	747607	B16-43, B16-45
747142	B16-41	747194	B16-31, B16-35	747246	B16-26	747608	B16-43
747143	B16-31, B16-34	747195	B16-31, B16-35	747247	B16-26	747609	B16-45
747145	B16-41	747199	B16-26	747248	B16-26	747610	B16-43, B16-45
747146	B16-31, B16-34	747201	B16-26	747249	B16-26	747611	B16-43
747148	B16-41	747202	B16-26	747250	B16-26	747612	B16-45
747149	B16-31, B16-34	747203	B16-26	747328	B16-34	747613	B16-43
747150	B16-41, B16-45, B16-49	747204	B16-26	747329	B16-34	747614	B16-45
747151	B16-41	747205	B16-26	747330	B16-34	747622	B16-49
747152	B16-31, B16-34	747206	B16-26	747331	B16-34	747623	B16-49
747154	B16-45, B16-49	747207	B16-26	747332	B16-34	747624	B16-47
747155	B16-43, B16-47	747208	B16-26	747333	B16-34	747625	B16-49
747156	B16-45, B16-49	747209	B16-26	747334	B16-34	747626	B16-47, B16-49
747157	B16-45, B16-49	747210	B16-26	747335	B16-34	747627	B16-47
747159	B16-43, B16-47	747211	B16-26	747336	B16-34	747628	B16-49
747161	B16-43, B16-47	747212	B16-26	747337	B16-34	747629	B16-47, B16-49
747162	B16-45, B16-49	747213	B16-26	747338	B16-34	747630	B16-47
747164	B16-45, B16-49	747214	B16-26	747339	B16-34	747631	B16-49
747166	B16-43, B16-47	747215	B16-26	747340	B16-34	747632	B16-47, B16-49
747167	B16-43, B16-47	747216	B16-26	747341	B16-34	747633	B16-47
747168	B16-45, B16-49	747217	B16-26	747342	B16-34	747634	B16-49
747170	B16-45, B16-49	747218	B16-26	747343	B16-34	747635	B16-47
747171	B16-43, B16-47	747219	B16-26	747344	B16-34	747636	B16-49
747172	B16-43, B16-47	747220	B16-26	747384	B16-34	747666	B16-43, B16-47
747173	B16-45, B16-49	747221	B16-26	747385	B16-34	747667	B16-43, B16-45, B16-47, B16-49
747174	B16-43, B16-47	747222	B16-26	747386	B16-34	747668	B16-43, B16-47
747175	B16-45, B16-49	747223	B16-26	747387	B16-34	747669	B16-43, B16-45, B16-47, B16-49
747177	B16-35	747224	B16-26	747388	B16-34	747670	B16-43, B16-47
747178	B16-35	747225	B16-26	747389	B16-34	747671	B16-43, B16-45, B16-47, B16-49
747179	B16-35	747226	B16-26	747390	B16-34	747672	B16-43, B16-47
747180	B16-35	747227	B16-26	747391	B16-34	747673	B16-43, B16-47
747181	B16-35	747228	B16-26	747392	B16-34	747681	B16-45, B16-49
747182	B16-35	747229	B16-26	747393	B16-34	747682	B16-45, B16-49
747183	B16-35	747230	B16-26	747394	B16-34	747683	B16-45, B16-49
747184	B16-35	747231	B16-26	747395	B16-34	747684	B16-45, B16-49
		747232	B16-26	747396	B16-34	747686	B16-45, B16-49
		747233	B16-26	747397	B16-34	747688	B16-45, B16-49
		747234	B16-26	747398	B16-34		
		747235	B16-26	747399	B16-34		
		747236	B16-26				



PART NUMBER INDEX

Part Number	Page	Part Number	Page	Part Number	Page	Part Number	Page
747690	B16-45, B16-49	747928	B16-12				
747706	B16-43, B16-47	747929	B16-12				
747707	B16-43, B16-45, B16-47, B16-49	747932	B16-12				
747708	B16-43, B16-47	747933	B16-12				
747709	B16-43, B16-45, B16-47, B16-49	747936	B16-12				
747710	B16-43, B16-47	747937	B16-12				
747711	B16-43, B16-45, B16-47, B16-49	747940	B16-12				
747712	B16-43, B16-47	747941	B16-12				
747713	B16-43, B16-47	747944	B16-12				
747721	B16-45, B16-49	747945	B16-12				
747722	B16-45, B16-49	747948	B16-12				
747723	B16-45, B16-49	747949	B16-12				
747724	B16-45, B16-49	747952	B16-12				
747726	B16-45, B16-49	747953	B16-12				
747728	B16-45, B16-49	747956	B16-12				
747730	B16-45, B16-49	747957	B16-12				
747746	B16-45, B16-49	747960	B16-12				
747747	B16-45, B16-49	747961	B16-12				
747748	B16-43, B16-47	747964	B16-12				
747749	B16-45, B16-49	747965	B16-12				
747750	B16-43, B16-45, B16-47, B16-49	747968	B16-12				
747751	B16-43, B16-47	747969	B16-12				
747753	B16-43, B16-45, B16-47, B16-49	747972	B16-12				
747754	B16-43, B16-47	747973	B16-12				
747756	B16-43, B16-45, B16-47, B16-49	747976	B16-12				
747757	B16-43, B16-47	747977	B16-12				
747759	B16-43, B16-47	747980	B16-12				
747760	B16-45, B16-49	747981	B16-12				
747900	B16-12	747984	B16-12				
747901	B16-12	747985	B16-12				
747904	B16-12	747988	B16-12				
747905	B16-12	747989	B16-12				
747908	B16-12	747992	B16-12				
747909	B16-12	747993	B16-12				
747912	B16-12	747996	B16-12				
747913	B16-12	747997	B16-12				
747916	B16-12	748000	B16-12				
747917	B16-12	748001	B16-12				
747920	B16-12	748004	B16-12				
747921	B16-12	748005	B16-12				
747924	B16-12	748008	B16-12				
747925	B16-12	748009	B16-12				
		748012	B16-12				
		748013	B16-12				
		1029557	B2-58				
		B48371	B18-21				
		C11235	B18-21				
		C14203	B18-21				

A			
Accessories		ISNX Bearing Inserts	B16-18
E-Z Kleen	B2-77	SDX	B16-42
Extreme Duty Setscrew Ball Bearing	B3-41	SDXD	B16-46
Extreme Duty Setscrew Ball Bearings	B3-42	SNX	B16-26
Setscrew Ball Bearings	B4-98	S-2000	B12-14
Setscrew VSC Ball Bearings	B8-26	Bearing Inserts	B12-48
Ultra Kleen	B1-35	End Covers	B12-50
		UNISPHERE II	B13-12
Air Handling		Ductile	
D-Lok® Ball Bearings	B6-12	E Family – Inch	B10-43
D-Lok Ball Bearings	B6-62		
Eccentric Collar	B7-44	E	
Eccentric SXV Collar	B9-36	E-Family Bearings	B10-1
Grip Tight	B5-12	E-Z Kleen Mounted Bearings	B2-1
Setscrew Ball Bearings	B4-98	Easy Selection	
		E-Z Kleen	B2-12
Anti-Rotation Pin		Extreme Duty Setscrew Ball Bearings	B3-3
D-Lok Ball Bearings	B6-4	Ultra Kleen	B1-7
Eccentric Collar	B7-4	Eccentric Collar Ball Bearings	B7-1
Setscrew Ball Bearings	B4-4	Eccentric SXV Collar Ball Bearings	B9-1
		Engineering / Technical	B20-1
Ball Bearing End Covers		English Standard Measures	B20-23
D-Lok Ball Bearings	B6-62	Expansion of Shafting	B20-17
Eccentric SXV Collar	B9-37	Extreme Duty Setscrew Ball Bearings	B3-1
Grip Tight	B5-73		
Setscrew Ball Bearings	B4-106	F	
Setscrew Ball Bearings	B4-3	Features/Benefits	
		Features/Benefits	B1-3
Bearing Life Adjustment Factor		D-Lok Ball Bearings	B6-3
Bearing Load Calculations		E-Z Kleen	B2-3
		Eccentric Collar	B7-3
B		Extreme Duty Setscrew Ball Bearings	B3-2
Centrifugal Force		Grip Tight Adapter Ball Bearings	B5-2
Coatings		Imperial – IP, ISAF and ISN	
D-Lok Ball Bearings	B6-62	Imperial-HD	B14-6
Setscrew Ball Bearings	B4-98	Imperial-IP	B14-4
Coefficients of Friction “f”	B20-39	ISAF	B14-10
Common Conversion Factors	B20-28	ISN and ISNX HYD	B14-12
Concentric Clamp Collar	B6-3	Plummer Blocks	
Concentric Clamp Collar – D-Lok Ball Bearings	B6-3	ISN and ISNX	B16-3
Conveyor Belt FPM to RPM	B20-11	Seals	B16-25
		SNX	B16-23
D		S-2000	B12-2, B12-6
D-Lok® Ball Bearings	B6-1	Setscrew Ball Bearings	B4-3
Dimensions		Setscrew VSC Ball Bearings	B8-2
Imperial – IP, ISAF ISN and ISNX	B14-30	Sleeve Bearings	B17-2
Plummer Blocks	B16-13	Sleevoil	B18-3
Imperial Spanner	B16-22	Specialty Tapered	
ISN Bearing Inserts	B16-16	All Steel	B11-4
ISN End Covers	B16-21	Special Duty	B11-3
ISN Lockplate Kits	B16-21	Type C	B11-2
ISN Plummer Blocks with Labyrinth Seals	B16-15		
ISN Plummer Blocks with Trident Seals	B16-13		

Plummer Blocks
Sleeve Bearings
SLEEVOIL
Take-Up Frames
Engineering
Part Number Index
Keyword Index

Take-Up Frames	B19-2			
Bronzoil	B19-4	Imperial – IP, ISAF and ISN		B14-1
Center Pull	B19-3	Installation		
Heavy Duty	B19-5	Specialty Tapered		
Light Duty	B19-4	All Steel		B11-51
Narrow Slot	B19-2	Special Duty		B11-24
Telescoping	B19-2	Type E Family		B10-13
Top Angle	B19-3			
TPHU	B19-3	L		
Wide Slot	B19-2	Lubrication		
Type E-Xtra, Double-Interlock, Type K/TAF/EXL Bearings	B10-2	D-Lok Ball Bearings		B6-7
UNISPHERE II	B13-2	Eccentric Collar		B7-6
Ultra Kleen	B1-3	SXV Collar		B9-3, B9-36
Unified SAF		Grip Tight		B5-5
SAF and SDAF Pillow Blocks	B15-3	Imperial		
SAF with Split-Spher Bearing	B15-5	IP, ISAF ISN and ISNX		B14-15
SAF-XT and SAFS	B15-6	ISNX		B14-16
Eccentric SXV Collar	B9-2	S-2000		B12-8
Flywheel Formulas	B20-35	Setscrew Ball Bearings		B4-7, B4-98
Formulas and Constants	B20-34	Specialty Tapered		B11-21, B11-24
		All Steel		B11-51
		Type E Family		B10-13
		Type E Family Bearings		B10-72
		Unified SAF		B15-20
		Split-Spher		B15-76
		UNISPHERE II		B13-5
		M		
		Maintenance		
		Specialty Tapered		B11-24
		All Steel		B11-51
		Type E Family		B10-13
		Material Characteristics		B20-12
		Mathematical Equations		B20-36
		Metric System of Measurements		B20-26
		Misalignment		
		D-Lok Ball Bearings		B6-6
		Eccentric Collar		B7-6
		Grip Tight		B5-5
		Imperial – IP, ISAF ISN and ISNX		B14-15
		S-2000		B12-8
		Setscrew Ball Bearings		B4-7
		UNISPHERE II		B13-5
		Modifications/Accessories		
		D-Lok Ball Bearings		B6-62
		Eccentric Collar		B7-44
		Eccentric SXV Collar		B9-36
		Sleevoil		B18-22
		Type E-Xtra End Closure Kits – Inch		B10-65

Type E-Xtra, Type K, Double-Interlock, TAF – E-Tect Seal Kits	B10-64	Selection	D-Lok Ball Bearings	B6-6
Type K, Double-Interlock and TAF End Covers	B10-66		Eccentric Collar	B7-6
N			Eccentric SXV Collar	B9-3
Nomenclature			E-Z Kleen	B2-9
D-Lok Ball Bearings	B6-5		Grip Tight	B5-5
Eccentric Collar	B7-5		Imperial – IP, ISAF ISN and ISNX	B14-14
Grip Tight	B5-4		Imperial-HD	B14-27
Imperial – IP, ISAF and ISN			Imperial-IP	B14-26
Imperial-IP	B14-9		ISAF	B14-28
ISAF	B14-11		ISNX	B14-16
ISN and ISNX HYD	B14-13		Imperial Spherical Roller Bearings	B14-17
Plummer Blocks – ISN	B16-6		Imperial Housing Styles	B16-7
S-2000	B12-5		Plummer Blocks	
Setscrew Ball Bearings	B4-102		ISN Easy Selection	B16-9
Sleeve Bearings	B17-5		ISN Plummer Blocks with Labyrinth Seals	B16-14
Sleevoil	B18-7		ISN Plummer Blocks with Trident Seals	B16-12
Specialty Tapered	B11-22, B11-48		ISN Ratings	B16-8
Type C	B11-6		S-2000	B12-7
Take-Up Frames	B19-7		Setscrew Ball Bearings	B3-5, B4-6
Type E-Xtra, Type K, Double-Interlock, TAF and EXL	B10-10		Setscrew VSC Ball Bearings	B8-3
Unified SAF	B15-8		Sleeve Bearings	B17-6
UNISPHERE II	B13-3		Babbitted and Bronze-Bushed	B17-34
O			Specialty Tapered	
Oil Level and Filtration System – Sleeveoil	B18-30		Special Duty	B11-23
Oil Ring – Sleeveoil	B18-27		Type C	B11-7
Oil Viscosity Classification	B20-22		TAF - Smart Stock Selections	B10-67
Overhung Loads	B20-36		Type E-Xtra - Metric	B10-68
P			Type E-Xtra, Type K, Double-Interlock, TAF and EXL	B10-11
Plummer Blocks	B16-1		Unified SAF	B15-19
Proguard Plus Seal	B4-98		Unified Pillow Block	B15-13
Proguard Plus Seal – D-Lok®	B6-62		Selection – Specialty Tapered – All Steel	B11-49
Proguard Plus Seal – Setscrew Ball Bearings	B4-98		UNISPHERE II	B13-4
Properties of Sections	B20-38		Selection/Dimensions	
R			Cool Lube 2 System	B15-131
Radial Loads – Inch and Metric	B9-4		D-Lok	B6-10
Related Products			E-Z Kleen	B2-26
Ball Bearing End Covers	B4-102		Eccentric Collar	B7-12
D-Lok	B6-65		Eccentric SXV Collar	B9-6
Eccentric Collar	B7-47		Extreme Duty Setscrew Ball Bearings	B3-8
Eccentric SXV Collar	B9-37		Grip Tight	B5-8
Grip Tight	B5-70		Grip Tight – Thin Wall Adapter Ball Bearings	B5-76
Setscrew Ball Bearings – High Temp SC and SCM	B4-99		Setscrew Ball Bearings	B4-12
S			Setscrew VSC Ball Bearings	B8-8
S-2000	B12-1		Sleeve Bearings	B17-10, B19-43
Seals			Babbitted	B17-38
Seals – D-Lok Ball Bearings	B6-62		Bronze-Bushed	B17-50
Eccentric SXV Collar	B9-36		Bronzoil	B17-54
Setscrew Ball Bearings	B4-3		Shaft Collars	B17-57
Unified SAF	B15-19			

KEYWORD INDEX

Plummer Blocks

Sleeve Bearings

SLEEVOIL

Take-Up Frames

Engineering

Part Number Index

Keyword Index

Sleevoil		Specialty Tapered Products	B11-1
R Series	B18-10	Specification	
RTL Series	B18-18	E-Family	B10-8
RXT Series	B18-20	Specialty Tapered – Type C	B11-5
Specialty Tapered		Imperial – IP, ISAF and ISN	B14-5
All Steel	B11-54	Imperial – IP, ISAF and ISN – Imperial-HD	B14-7
Special Duty Flange Bearing	B11-36	S-2000	B12-4
Special Duty Hinged Cap	B11-42	Sleevoil	B18-7
Special Duty Pillow Block	B11-30	Specialty Tapered	
Special Duty Units	B11-38	All Steel	B11-46
Type C	B11-8	Special Duty Hinged Cap	B11-20
Take-Up Frames		Unified SAF	B15-7
Spherical Roller Bearings	B19-25, B19-29	UNISPHERE II	B13-3
Take-Up Bearings – Type A & B	B19-45	Sleeve Bearings	B17-4
Telescoping	B19-15	Strength and Physical Properties of Various Metals	B20-37
Take-Up Frames	B19-8	T	
Bronzoil	B19-44	Take-Up Frames	B19-1
Center Pull	B19-26	Torque and Horsepower Equivalents	B20-36
Heavy Duty Protected Screw	B19-36	Trigonometric Formula	B20-40
Light Duty Protected Screw	B19-30	U	
Narrow Slot	B19-8	U. S. Standard Sheet Metal Gages	B20-39
Top Angle Protected Screw	B19-20	Ultra Kleen Mounted Bearings	B1-1
TPHU	B19-24	Unified SAF	B15-1
Wide Slot	B19-11	UNISPHERE II	B13-1
Tapered Roller Bearings	B19-29	V	
Type E-Xtra, Type K, Double-Interlock, TAF and EXL	B10-21	V-Belt Cross Sections - Nominal	B20-11
Unified SAF		V-Belt Drive Formulas	B20-10
SAF-XT and SAFS	B15-55	Vibration Detector Adapter Kit – Sleeveoil	B18-29
Split-Spher	B15-72	Vibration Frequencies	B20-2
USAF	B15-94		
USAF 500	B15-26		
USDAF	B15-82		
Ultra Kleen	B1-15		
Setscrew Ball Bearings	B4-1		
Setscrew VSC Ball Bearings	B8-1		
Shafts			
Shaft Bearings	B20-17		
Shaft Couplings	B20-17		
Shaft Diameters – Selection	B20-15		
Shaft Keyseats	B20-17		
Shafting	B20-14		
Other Than Standard	B20-17		
Steel – Weights and Properties	B20-20		
Shafting Expansion	B20-19		
High Speed	B20-17		
Stepped	B20-17		
Sleeve Bearings	B17-1		
Sleevoil®	B18-1		

For Additional information and Dodge® Product Manuals on Dodge Bearing Products, Dodge Gearing Products or Dodge PT Components:

- > contact your local authorized Dodge Distributor
- > contact us at **864.297.4800**
- > visit us on the web at www.baldor.com





Baldor Electric Company

P.O. Box 2400, Fort Smith, AR 72902-2400 U.S.A., Ph: (1) 479.646.4711, Fax (1) 479.648.5792, International Fax (1) 479.648.5895

Baldor - Dodge

6040 Ponders Court, Greenville, SC 29615-4617 U.S.A., Ph: (1) 864.297.4800, Fax: (1) 864.281.2433

www.baldor.com