

ORCHID 19" X 16" X 6 1/2"
PORCELAIN ENAMEL
OVAL UNDERMOUNT LAVATORY



021-2442 UNDER-MOUNT

DESCRIPTION:

The Orchid 19" x 16" oval undermount porcelain enamel lavatory is a contemporary design with a spacious bowl and concealed front overflow that mounts under the countertop – the Orchid under-counter lavatory works best when professionally installed with the latest natural or solid countertop materials. The Orchid under-mount design can be used with wall mount or deck mount 4" or 8" faucet mounts – mounting clips or industrial adhesive is required for installation (not included) - weighs 10 lbs with acid resistant porcelain enameled steel - plastic overflow eliminates pop-offs and rust. The Orchid oval lavatory complies with ASME A119.1-2008/CSA B45.2-08 Enameled Cast Iron and Enameled Steel Plumbing Fixtures. Available in white, bone and biscuit colors. Construction is one-piece heavy gauge seamless steel with an acid resistant porcelain enamel finish. Faucets not included. Made in the USA.

Weight: 10 lbs

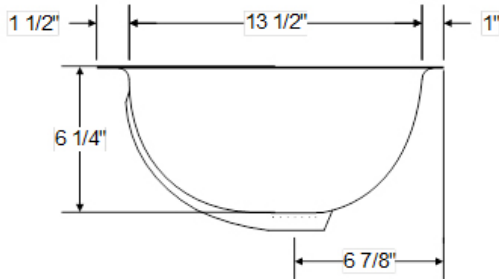
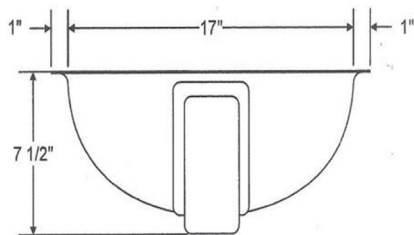
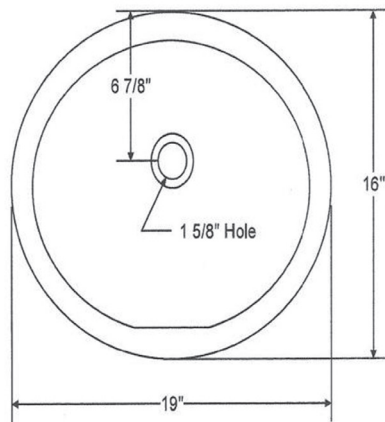


ORCHID 19" X 16" X 6 1/2" PORCELAIN ENAMEL OVAL UNDERMOUNT LAVATORY

Orchid Oval Lavatory

19" x 16"

021-2442 Under-mount



Complies with:
All fixtures are compatible or comply with ANSI, ASME, CSA, WW-P 541, HUD-FHA-VA, LEED and the "Buy America Act" where applicable when installed accordingly.

Standard Features:
"The affordable alternative to cast iron"
Full length sound deadening pad
Slip resistant bottom
Set it and level it

Made in the USA

All Dimensions +/- 1/8" unless otherwise noted.
Dimensions shown are for reference.
Actual dimensions may vary slightly and should be checked prior to installation
SS 5/14