



# Optic Flood Light

## Project Information

Job Name

Fixture Type 400W LED Optic Flood Light

Catalog Number PFXL2G400LED

Approved by

## PFXL2G400LED 400W LED Optic Flood Light



### SPECIFICATIONS:

	PFXL2G400LED3K	PFXL2G400LED4K	PFXL2G400LED	PFXL2G400LED5K
<b>Lumens:</b>	38050	38050	38050	41700
<b>Watts:</b>	383.18	383.18	383.18	376.66
<b>Lumens/Watt:</b>	99.30	99.30	99.30	110.71
<b>CRI:</b>	70	70	70	70
<b>CCT:</b>	3000	4000	4500	5000
<b>DLC Prod. ID:</b>	PI5RM3HT	PU2ZXSL3	PZ3Z2GVX	PUGH1KX

### Construction:

Designed for commercial and industrial applications, providing cooler operating temperatures, brighter light and longer LED life. Apertures for field or factory installed photocontrol. Separate driver compartment for cooler operation and longer driver life. Removable back panel offers easy access to the driver compartment. Available with heavy duty trunnion or slipfitter.

### Optics:

Atlas optic flood lights utilize individual lenses for maximum light intensity. These lenses are made of optical grade acrylic. This guarantees more footcandles, less glare and less wasted light.

### Thermal Management:

Atlas optic flood lights are designed as a complete system to optimize LED life and light output. The Patent Pending thermal stacking heat removal technology extracts heat from within the housing moving it away from LEDs and components. The lower temperatures result in long LED life (200,000+ hrs<sup>1</sup>) and component life and also allows for higher light output.

### Listings:

Luminaire is certified to UL/cUL Standards for Wet Locations DesignLights Consortium qualified luminaire, eligible for rebates from DLC member utilities. IP65 Rated

**AC Input:** 120/208/240/277 V

### Driver:

Constant current, Class 2, 120-277 VAC, 50-60 Hz  
High Efficiency – min. 88%  
Off-State Power: 0 Watts  
0-10 V Dimming

### LEDs:

3000K, 4000K, 4500K, 5000K CCT  
Epoxy Guard™ protective conformal coated boards  
Atlas LEDs provide higher lumen output, greater energy efficiency and more reliable fixture performance. They are tested and binned at 700mA which is the actual operating current used in Atlas LED luminaires, giving a better representation of actual performance.

### Reduced Glare:

Positioning of the LED modules within the housing result in light directed to desired locations and reduces offensive light.

### Testing:

Atlas LED luminaires have been tested by an independent laboratory in accordance with IESNA LM-79 & LM-80.

**Warranty:** Five-year limited warranty

### Options:

Photo Control - For factory installed 120V button photo control add suffix PC to part number.  
480 Volt - For 480V add suffix 4 to part number.

<sup>1</sup>LED Life Span Based Upon LM-80 Test Results

## Alpha Series LED PROFESSIONAL GRADE



Patent Pending

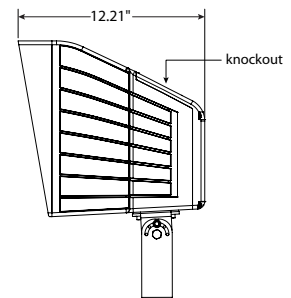
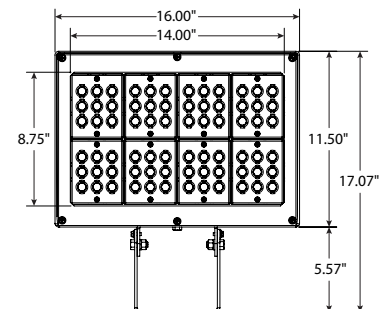


Optional Factory  
Installed Slipfitter  
Add Suffix S

### DIMENSIONS:

**Weight:** (with Trunnion) 30 lbs.  
(with Slipfitter) 31 lbs.

**EPA:** 1.29



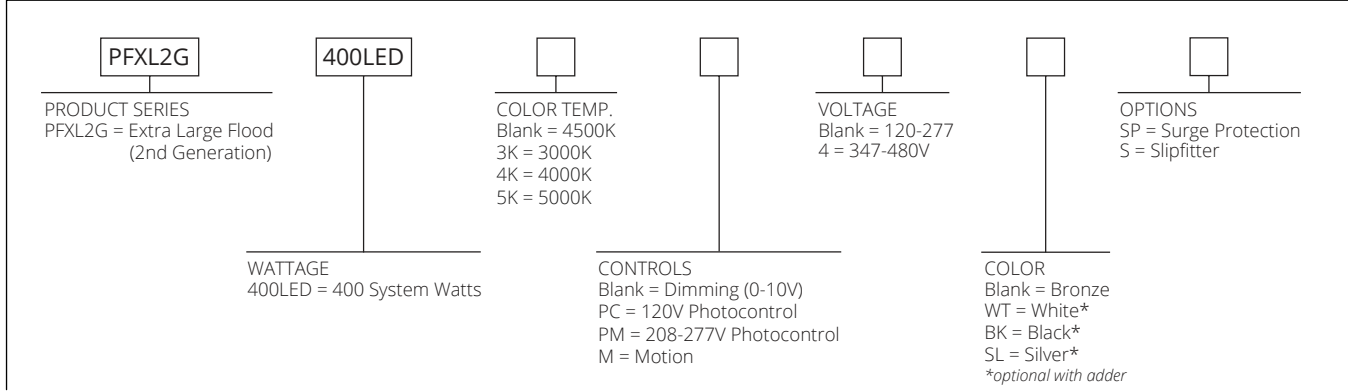
**Rebates and Incentives are available in many areas.  
Contact an Atlas Representative for more information.**

## ATLAS LIGHTING PRODUCTS, INC.

PO BOX 2348 | BURLINGTON, NC 27216  
800-849-8485 | FAX: 1-855-847-2794 | www.atlasled.com

\*The majority of Atlas Lighting Products are assembled in USA facilities by an American Workforce utilizing both Domestic and Foreign components. Meets Buy American requirements within the ARRA.

**ORDERING FORMAT**



**MOUNTING DETAIL**

