



Optic Flood Light

Project Information

Job Name

Fixture Type 300W LED Optic Flood Light

Catalog Number PFXL2G300LED

Approved by

PFXL2G300LED 300W LED Optic Flood Light



SPECIFICATIONS:

	PFXL2G300LED3K	PFXL2G300LED4K	PFXL2G300LED	PFXL2G300LED5K
Lumens:	32040	32040	32040	34033
Watts:	296.73	296.73	296.73	298.4
Lumens/Watt:	107.98	107.98	107.98	114.1
CRI:	70	70	70	70
CCT:	3000	4000	4500	5000
DLC Prod. ID:	PM0U5SM8	PEEYYA5V	PCYSL67D	P7MGC459

Construction:

Designed for commercial and industrial applications, providing cooler operating temperatures, brighter light and longer LED life. Apertures for field or factory installed photocontrol. Separate driver compartment for cooler operation and longer driver life. Removable back panel offers easy access to the driver compartment. Available with heavy duty trunnion or slipfitter.

Optics:

Atlas optic flood lights utilize individual lenses for maximum light intensity. These lenses are made of optical grade acrylic. This guarantees more footcandles, less glare and less wasted light.

Thermal Management:

Atlas optic flood lights are designed as a complete system to optimize LED life and light output. The Patent Pending thermal stacking heat removal technology extracts heat from within the housing moving it away from LEDs and components. The lower temperatures result in long LED life (200,000+ hrs¹) and component life and also allows for higher light output.

Listings:

Luminaire is certified to UL/cUL Standards for Wet Locations DesignLights Consortium qualified luminaire, eligible for rebates from DLC member utilities.
IP65 Rated

AC Input: 120/208/240/277 V

Driver:

Constant current, Class 2, 120-277 VAC, 50-60 Hz
High Efficiency – min. 88%
Off-State Power: 0 Watts
0-10 V Dimming

LEDs:

3000K, 4000K, 4500K, 5000K CCT
Epoxy Guard™ protective conformal coated boards
Atlas LEDs provide higher lumen output, greater energy efficiency and more reliable fixture performance. They are tested and binned at 700mA which is the actual operating current used in Atlas LED luminaires, giving a better representation of actual performance.

Reduced Glare:

Positioning of the LED modules within the housing result in light directed to desired locations and reduces offensive light.

Testing:

Atlas LED luminaires have been tested by an independent laboratory in accordance with IESNA LM-79 & LM-80.

Warranty: Five-year limited warranty

Options:

Photo Control - For factory installed 120V button photo control add suffix PC to part number.
480 Volt - For 480V add suffix 4 to part number.

¹LED Life Span Based Upon LM-80 Test Results

Alpha Series LED PROFESSIONAL GRADE



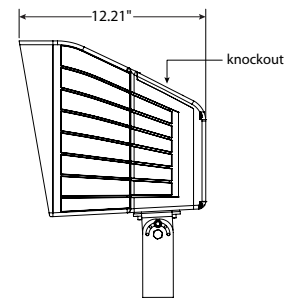
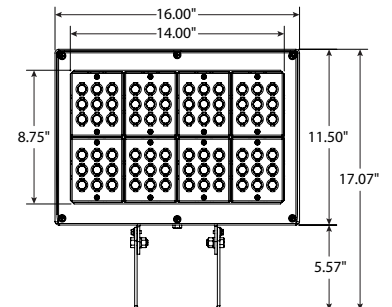
Patent Pending

Optional Factory Installed Slipfitter
Add Suffix S

DIMENSIONS:

Weight: (with Trunnion) 30 lbs.
(with Slipfitter) 31 lbs.

EPA: 1.29



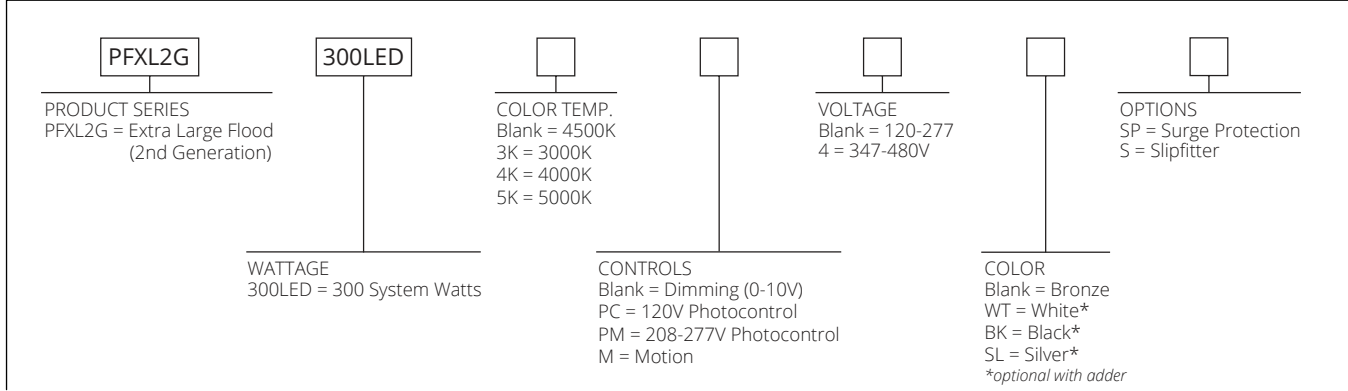
**Rebates and Incentives are available in many areas.
Contact an Atlas Representative for more information.**

ATLAS LIGHTING PRODUCTS, INC.

PO BOX 2348 | BURLINGTON, NC 27216
800-849-8485 | FAX: 1-855-847-2794 | www.atlasled.com

*The majority of Atlas Lighting Products are assembled in USA facilities by an American Workforce utilizing both Domestic and Foreign components. Meets Buy American requirements within the ARRA.

ORDERING FORMAT



MOUNTING DETAIL

