

INSTALLATION INSTRUCTIONS FOR CODE•MASTER JR. PL FLUORESCENT FIXTURE

▲ **IMPORTANT:**

- This fixture is designed for permanent installation in Class I Div. 1 and 2, Groups B, C, D. hazardous or wet locations in accordance with the National Electrical Code and all applicable codes.
- When installed in hazardous locations it is necessary that the globe be in place and that the unit be tightly closed.
- **DO NOT OPEN OR REMOVE FIXTURE WHILE IT IS ENERGIZED.**
- **DO NOT USE FIXTURE ON UN-GROUNDED CIRCUITS.** Failure to ground this fixture can result in an electrical shock which may be fatal.
- **DO NOT** use in areas of limited ventilation or in ambient areas (above 40° C).
- Globe and reflector should be cleaned periodically to maintain lighting efficiency.
- Remove all unused conduit plugs and re-install with pipe sealant.

Read Carefully Before Attempting To Install Fixture

CLASS I, Div. 1 AND 2, GROUPS B, C, D
CLASS I, ZONE 1, GROUP IIB + H₂
CLASS II, Div. 1 AND 2, GROUPS E, F, G
CLASS III

UL1598, 844

Suitable for use in wet locations.

GROUP B INSTALLATIONS:

▲ WARNING: This fixture is designed for permanent installation in GROUP B classified locations (as defined by the National Electrical Code) only when installed with appropriate Appleton Electric, LLC mounting hood, sealing fitting and fixture must all be marked as suitable for use in GROUP B areas. (See Figure 1).

▲ WARNING: Only the CAP75B 3/4" pendant hood and the CAS150B, 1-1/2" 25° stanchion hood, are approved for use in Group B locations, and the Group B markings will appear on label of the mounting hood. Mounting hoods without the Group B marking are not acceptable for Group B areas. (See Figure 1).

▲ WARNING: Only the CAP75B and the CAS150B mounting hoods must have a Group B approved sealing fitting of the appropriate trade size installed within two inches of the hood. Any manufacturer's Group B approved sealing fitting may be used. Follow the manufacturers sealing fitting instructions for proper seal installation.

⚡ Pendant and Stanchion Hood: Remove connection block from hood by loosening two mounting screws. Thread hood onto conduit at least five threads (conduit should engage the internal stop) and tighten locking set screw.

- Connect the green wire to the green screw provided in hood.
- Connect the black wire to the brass colored screw and the white wire to the silver colored screw on the mounting block.
- Replace the connection block into the mounting hood and re-tighten the screws securely. (See standard assembly instructions on page 2 for remainder of fixture installation.)

FILE THIS MANUAL FOR FUTURE REFERENCE.

FIGURE 1

CLASS I, Div. 1 AND 2, GROUP B INSTALLATION

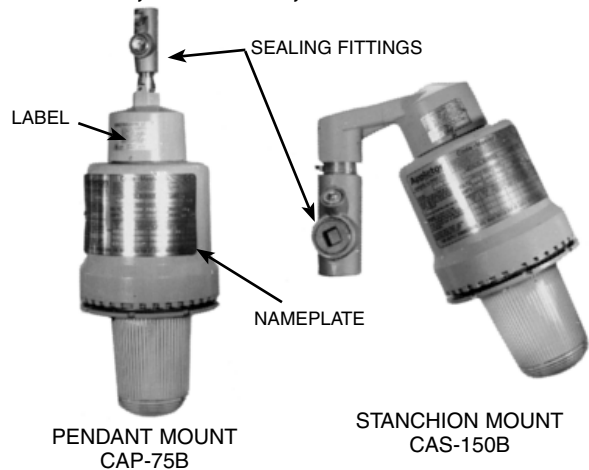
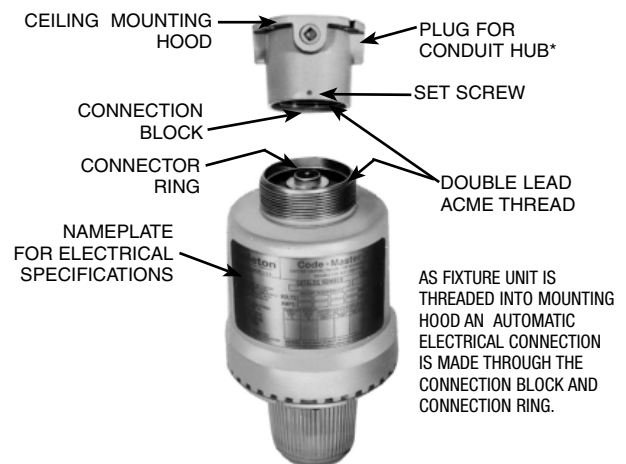


FIGURE 2

CLASS I, Div. 1 AND 2, GROUPS C, D INSTALLATION

For correct code classification and grouping refer to chart on page 4.



*** IMPORTANT:** Remove all unused conduit plugs and reinstall with pipe sealant.

INSTALLATION OF MOUNTING ACCESSORIES

(Not listed for Group B)

Read Carefully Before Attempting To Install Fixture.

WARNING

- All mounting hoods using 3/4" conduit are Listed for Groups C and D.
- All mounting hoods using 1" conduit are Listed for Group D ONLY.
- 25° Stanchion mount tapped 1-1/2" with 1-1/4" reducer are rated for Group C, D.

PENDANT HOOD:

See Figure 3. Remove connection block from hood by loosening two (2) mounting screws. Thread hood onto conduit at least five (5) threads (conduit should engage the internal conduit stop) and tighten locking set screw. Connect the ground wire to the green screw provided in hood. Connect the black supply wire to the brass colored screw and the white supply wire to the silver colored screw on the connection block. Replace connection block into the mounting hood and re-tighten the screws securely.

WALL BRACKET AND CEILING BOX:

Install wall bracket or ceiling box on structural support member with four bolts through four external mounting holes. Remove connection block and connect electrically as described under "Pendant Hood".

STANCHION MOUNT:

Remove connection block. Thread stanchion onto conduit at least five (5) threads (conduit should engage the internal conduit stop) and tighten locking set screw. Connect electrically as described under "Pendant hood".

WARNING

- Disconnect power supply before servicing fixture.
- Failure to ground this fixture can result in an electric shock which may be fatal.
- This fixture is designed for and should be used permanently installed in accordance with the National Electrical Code and all applicable local codes.

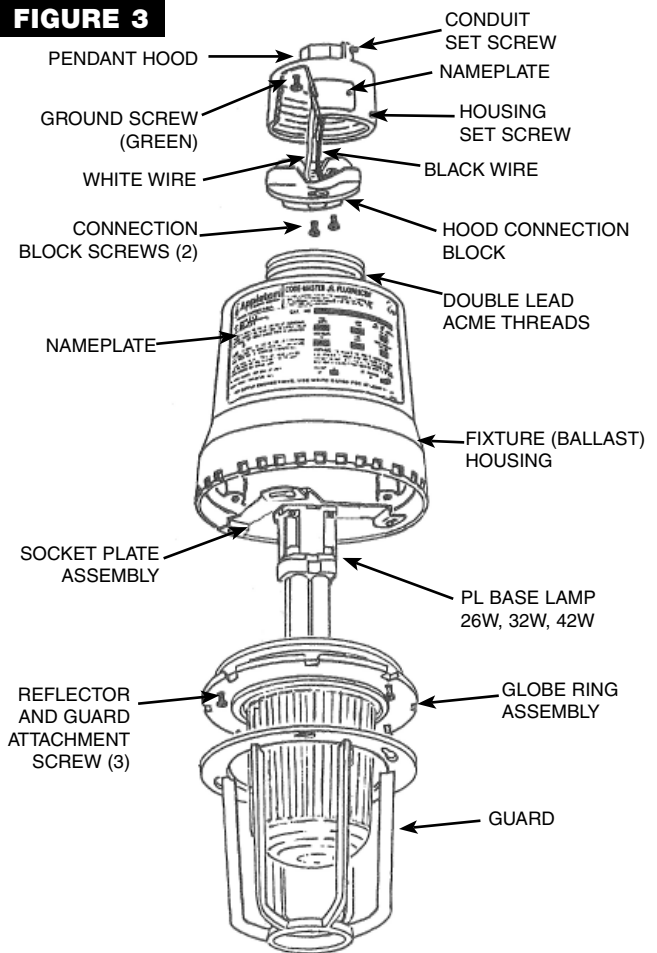
INSTALLING LAMP:

Check lamp type and wattage against fixture namplate. Install lamp(s).

CLOSING FIXTURE:

The globe-ring must be tightened to compress gasket, this insures watertightness. Screw the globe-ring assembly into housing by hand until gasket makes contact. Continue to rotate additionally past three notches or for 2" of travel. To assist in rotating globe-ring assembly, use two screwdrivers inserted through slots on opposite sides of ring and operate against pry bars in housing. Lock globe-ring in place by tightening locking screw until it engages the edge of the housing.

FIGURE 3



Mounting Hoods

Hub Size	Catalog Type Mounting	(Inches)	Number
	Pendant		
	One Hub	3/4	CAP-75
		1	CAP-100
	Ceiling		
	Four Hubs, Three Close-Up Plugs	3/4	CAC-75
		1	CAC-100^A
	Bracket		
	Four Hubs, Three Close-Up Plugs	3/4	CALB-75
		1	CALB-100*
	25° Stanchion		
	One Hub	1-1/4 or 1-1/2	CAS-150

Mounting Adapter with Connection Block

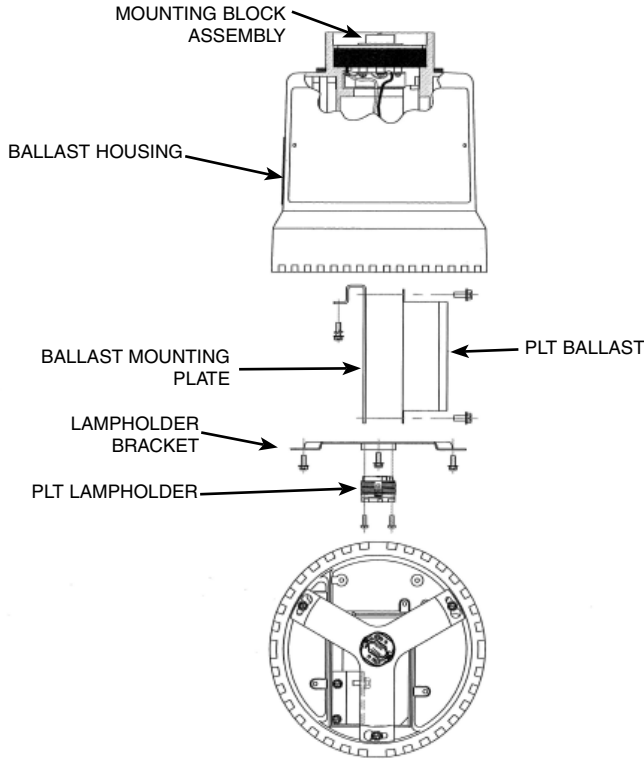


Permits use of existing A-51 Fixture mounting hoods (AAC Ceiling or AALB Bracket) with the new Code•Master Jr. Fixture Unit. After removing existing Fixture Unit and adapter, screw in the new CMAD-1 Adapter. Then thread new Fixture Unit into the CMAD-1.

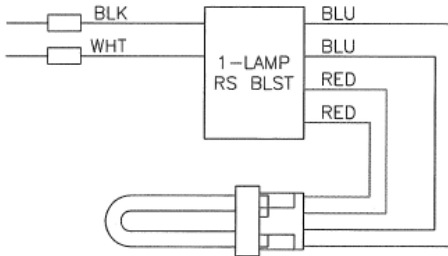
CMAD-1

FIXTURE 4

PARTS BREAKDOWN



1 LAMP WIRING DIAGRAM FOR CODE•MASTER JR. PL LAMPS



REPLACEMENT BALLAST

LAMP WATTS	CATALOG NUMBER
26W	59661256001
32W	
42W	

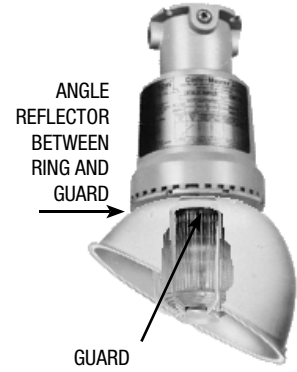
REMOVE GLOBE-RING ASSEMBLY

- Loosen hex head locking screw (longest) in globe ring (see Figure 4) until screw clears ballast housing. Un-thread globe-ring assembly. A screwdriver inserted in housing notches and in globe ring slots, will assist in removing globe-ring assembly (see Figure 5).
- DO NOT** use glass globe to un-thread globe-ring assembly as this might loosen the globe locking ring (Should globe locking ring be accidentally loosened, it should be retightened).

FIGURE 5



FIGURE 6



ROTATE ADDITIONALLY PAST THREE NOTCHES OR FOR TWO (2) INCHES OF TRAVEL.

INSTALLATION OF REFLECTOR AND GUARD

- Reflectors and guards are provided with keyhole slots. To install, loosen three shorter screws in globe-ring assembly and insert reflectors or guards over them. (Be sure slots for the locking screw are properly located.) Tighten three screws.
- When an angle reflector is used, orient reflector to direct light output near the desired direction. Fine tune by rotating globe-ring assembly after loosening hex head locking screw. (See Figure 4)
- Be sure marine gasket is still under compression by slightly tightening locking screw.

REPLACEMENT PARTS

	LAMPS:	26W	PLT26
		32W	PLT32
		42W	PLT42
	SOCKET (LAMPHOLDER):	26W	PLT32RS
		32W	
		42W	
	SOCKET BRACKET ASSEMBLY:	26W	CJSA2642
		32W	
		42W	

CODE•MASTER JR. LIGHTING FIXTURES FAMILY TREE

MOUNTING HOODS

Pendant
One Hub
3/4" CAP-75B
—

25° Stanchion
One Hubs
1-1/2" CAS-150B
—

Pendant
One Hub
3/4" CAP-75
1" CAP-100

Ceiling
Three Close-Up Plugs
3/4" CAC-75
1" CAC-100

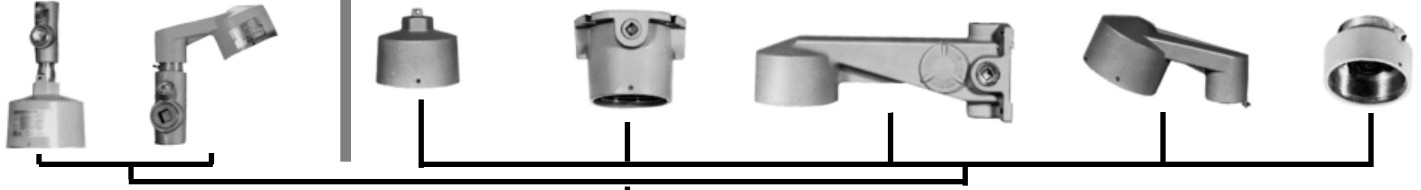
Bracket
Three Close-Up Plugs
3/4" CALB-75
1" CALB-100

25° Stanchion
One Hubs
—
1-1/2" CAS-150

Adapter Hood
Use with A51
Mounting Hoods
CMAD-1

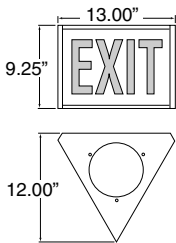
Class I, Div. 1 & 2, Group B

Class I, Div. 1 & 2, Groups C & D



**CODE JR. PL WATTAGES
FOR BALLAST HOUSING**
CJB26FBU - 26 WATTS
CJB32FBU - 32 WATTS
CJB42FBU - 42 WATTS

THREE-WAY EXIT SIGN
Mounts in place of guard.
35 -150W CJEXRN



**ALUMINUM GUARD
CJGU-15**



**POLYESTER REFLECTOR
STANDARD DOME
KR2-ST**



**POLYESTER REFLECTOR
30° ANGLE DOME
KR2-AN**



Dimensions: Code•Master Jr.™ Lighting Fixtures.

