



T480.508 Bath/Shower Trim Shown

**GENERAL DESCRIPTION:**

**SHOWERHEAD**

FloWise water saving showerhead offers 40% water savings at maximum 1.5 gpm/5.7 L/min. flow rate.

**WALL TUB SPOUT**

Metal slip-on diverter spout.

**WALL VALVE TRIM**

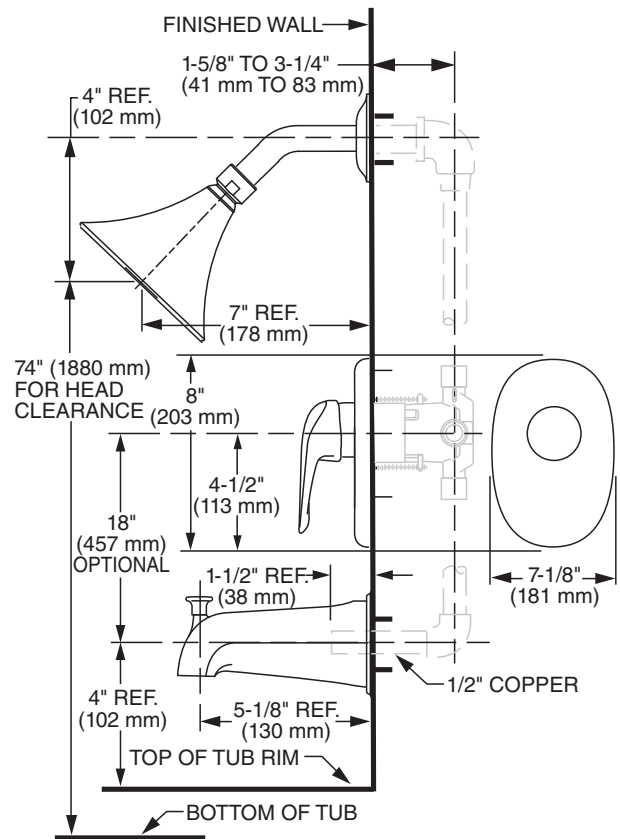
Available with metal lever handle.  
 Brass wall escutcheon.

**MODEL NUMBER:**

**TRIM KITS:**

- **T480.508 Seva BATH/SHOWER Trim Kit**  
 Metal Lever Handle. FloWise Showerhead.  
 ESS Valve Body.
- **T480.507 Seva SHOWER ONLY Trim Kit**  
 Metal Lever Handle. FloWise Showerhead.  
 LESS Valve Body.

*For use with R120 Series Pressure Balance Valves.  
 See reverse side for available Rough Valves.*



**SUGGESTED SPECIFICATION:**

Bath/shower fitting shall feature water saving showerhead with Max. 1.5 gpm/5.7 L/min. flow rate. Fitting shall be: American Standard - Trim Kit Model # T480.50\_\_\_\_. and Valve Body Model # R12\_\_.

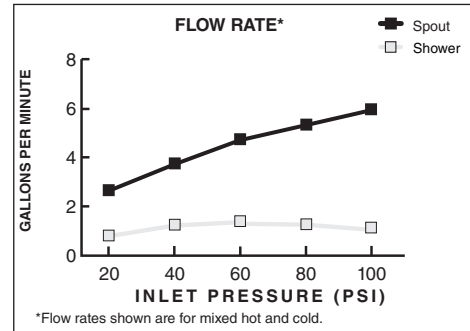
**CODES AND STANDARDS**

These products meet or exceed the following codes and standards:

- ANSI A 117.1
- ASSE 1016
- ASME A112.18.1
- CSA B 125.1



- Showerhead with 1.5gpm/5.7L.min. flow restrictor.



Modifications	Parts Suffix*
	__IPT
	__WD

\*To modify a product, add suffix after the 4<sup>th</sup> digit (ex. T064ITP502.002)

TRIM KITS *	Product Number	Description	* TRIM & ROUGH MUST BE ORDERED SEPARATELY.		Finish Options	
					Polished Chrome	PVD Satin Nickel
					002	295
T480.508	Bath/Shower Trim Kit. Metal Lever Handle. FloWise Showerhead. LESS Valve Body.					
T480.507	Shower Only Trim Kit. Metal Lever Handle. FloWise Showerhead. LESS Valve Body.					

ROUGH VALVE BODIES	Product Number	Description
	R121	Rough Valve Body less trim. Universal inlets/outlets.
	R121SS	Rough Valve Body less trim. Universal inlets/outlets with Screwdriver Stops.
	R120	Rough Valve Body less trim. Direct Sweat inlets/outlets.
	R120SS	Rough Valve Body less trim. Direct Sweat inlets/outlets with Screwdriver Stops.
	R125	Rough Valve Body less trim. Female Thread inlets/outlets.
	R125SS	Rough Valve Body less trim. Female Thread inlets/outlets with Screwdriver Stops.
	R127	Rough Valve Body less trim. PEX inlets/universal outlets for Crimp Ring PEX system (ASTM F1807).
	R127SS	Rough Valve Body less trim. PEX inlets/universal outlets for Crimp Ring PEX system (ASTM F1807) with Screwdriver Stops.
	R128	Rough Valve Body less trim. PEX inlets/universal outlets for Cold Expansion PEX system (ASTM F1960).
	R128SS	Rough Valve Body less trim. PEX inlets/universal outlets for Cold Expansion PEX system (ASTM F1960) with Screwdriver Stops.
	R129	Rough Valve Body less trim. CPVC inlets/universal outlets.
R129SS	Rough Valve Body less trim. CPVC inlets/universal outlets with Screwdriver Stops.	

Meets the American Disabilities Act Guidelines and **ANSI A117.1** Requirements for the physically challenged.