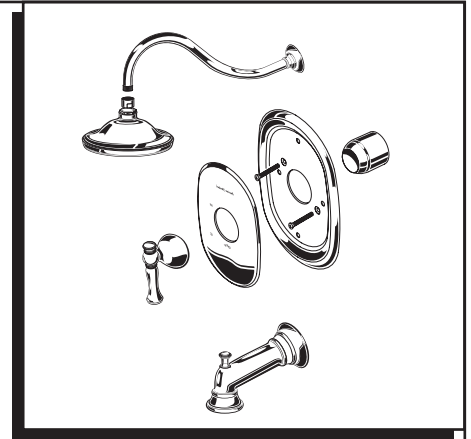


American Standard

**QUENTIN™
BATH/SHOWER TRIM KITS**

**INSTALLATION
INSTRUCTIONS**

**T440.502
T440.501
T440.500**



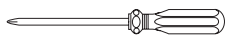
Certified to comply with ANSI A112.18.1

Thank you for selecting American-Standard...the benchmark of fine quality for over 100 years.

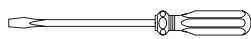
To ensure that your installation proceeds smoothly—please read these instructions carefully before you begin.

M965236

Recommended Tools



Phillips Screwdriver



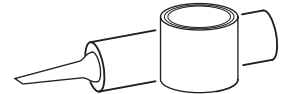
Flat Blade Screwdriver



Adjustable Wrench



Channel Locks

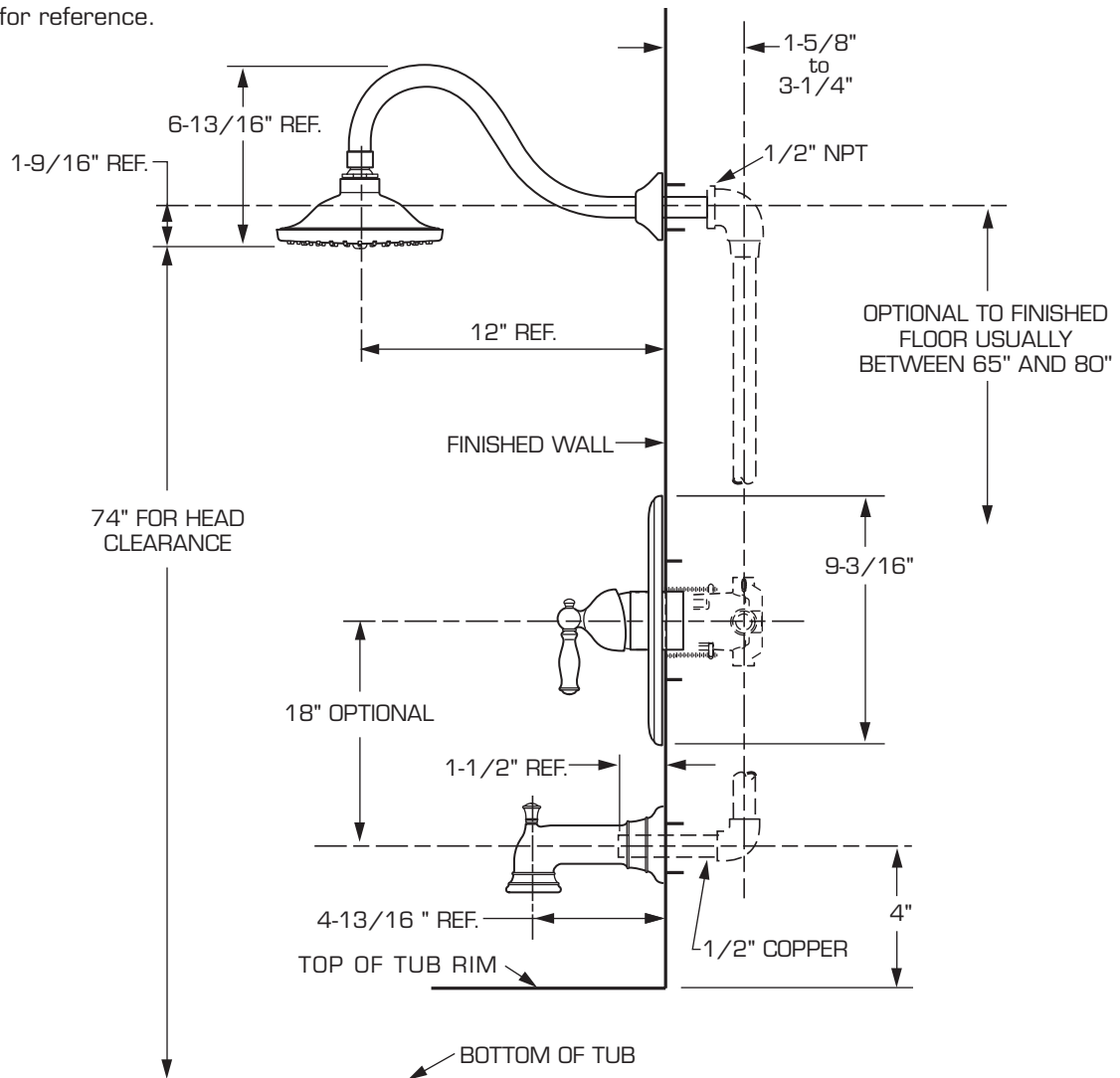


Plumbers' Putty or Caulking

ROUGHING-IN DIMENSIONS

Installation for Bath/Shower, Shower only, or Valve only Trim.

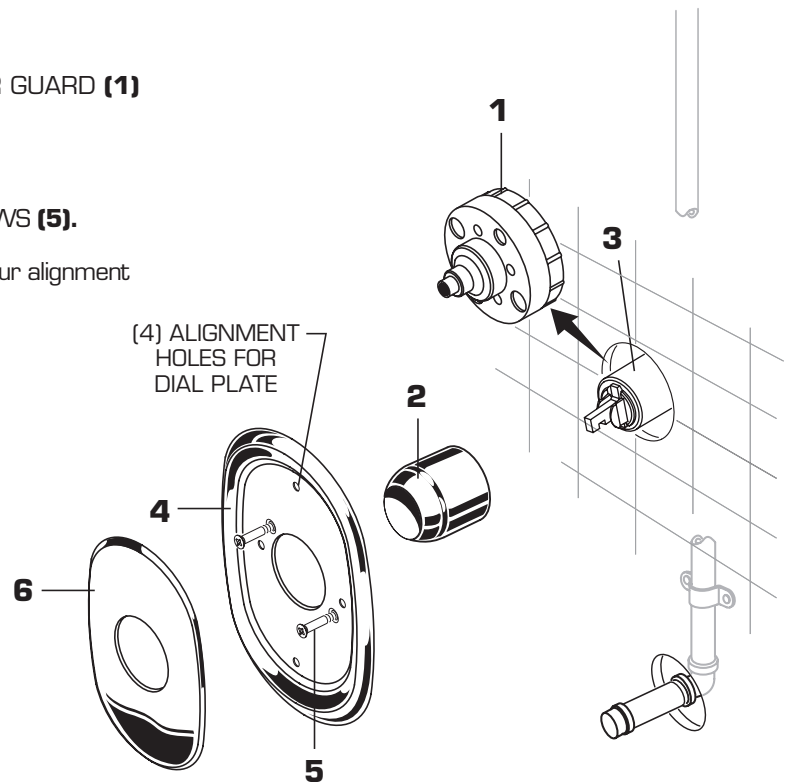
■ Dimensions are for reference.



1

INSTALL VALVE TRIM

- When finished tiling the wall, remove PLASTER GUARD (1) and turn off water supply.
- Push CAP (2) over VALVE CARTRIDGE (3).
- Mount ESCUTCHEON (4) to valve body with SCREWS (5).
- Push DIAL PLATE (6) over CAP (2) and into the four alignment holes in ESCUTCHEON (4).

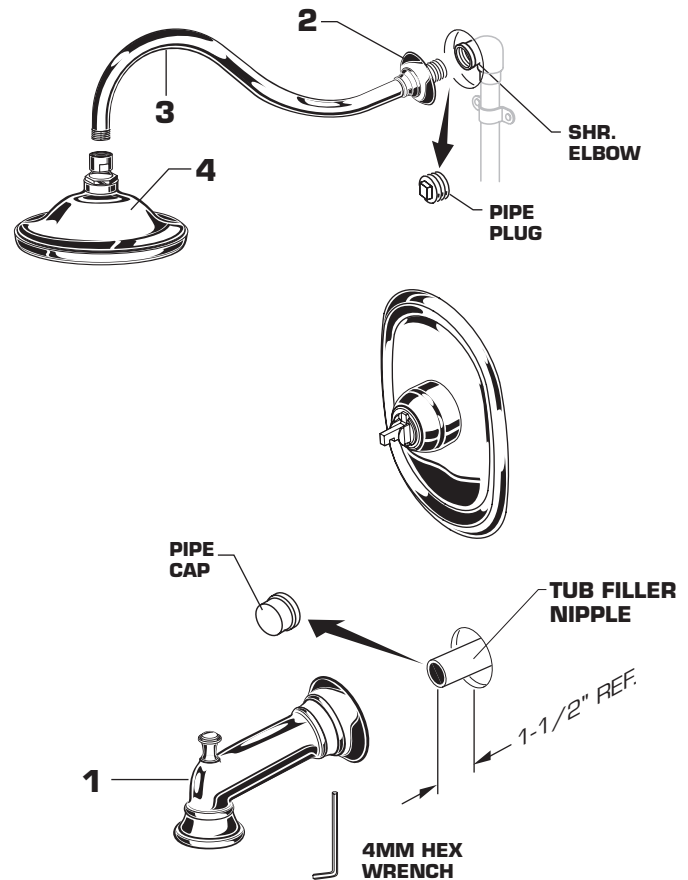


2

INSTALL TUB SPOUT, SHOWER HEAD, SHOWER ARM WITH FLANGE

CAUTION: Protect finish on SHOWER HEAD and TUB SPOUT when installing.

- Remove pipe cap and plug from shower and tub rough piping.
- Slip TUB SPOUT (1) onto tub nipple and tighten with 4mm Hex Wrench.
CAUTION: Protect finish on TUB SPOUT when installing.
- Install SHOWER ESCUTCHEON (2) onto SHOWER ARM (3). Apply sealant or Teflon tape to threads on both ends of SHOWER ARM (3) and thread longer leg of SHOWER ARM (3) into shower elbow.
- Thread SHOWER HEAD (4) onto SHOWER ARM (3).
CAUTION: Protect finish on SHOWER HEAD and ARM when installing.

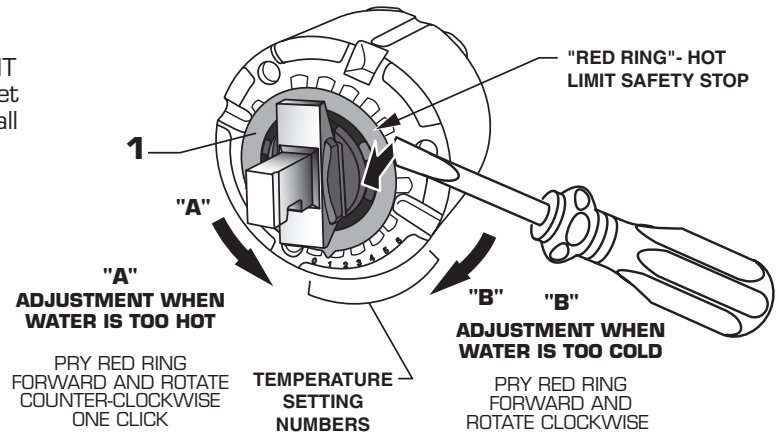


3 ADJUST HOT LIMIT STOP

HOT LIMIT SAFETY STOP ADJUSTMENT

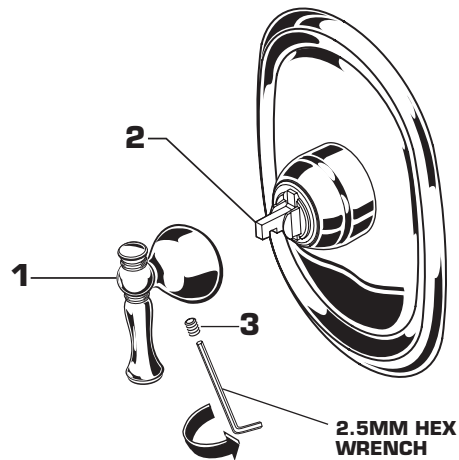
By restricting handle rotation and limiting the amount of hot water allowed to mix with the cold, the HOT LIMIT SAFETY STOP reduces risk of accidental scalding. To set the maximum hot water temperature of your faucets, all you need to do is adjust the setting on the HOT LIMIT SAFETY STOP.

- Use a flat blade screwdriver or your fingers to pull up and rotate red HOT LIMIT SAFETY STOP **(1)**. Follow Step "A" or "B" to adjust min./max. discharge temperature. "0" being the hottest to "7" the coldest temperature setting. Factory set at "0".



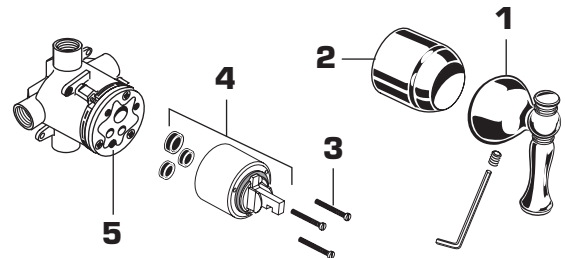
4 HANDLE INSTALLATION

- Install HANDLE **(1)** by pushing it onto CARTRIDGE STEM **(2)** and tightening SET SCREW **(3)** from below with 2.5mm Hex Wrench supplied.



5 SERVICE

- If faucet drips, operate handle several times from "off" to "on". Do not apply excessive force.
- Clogged CARTRIDGE **(4)** inlets may cause reduced flow in "full on" hot or cold. To clean inlets, first turn off water supply, then:
 - Remove HANDLE **(1)**, CAP **(2)** and CARTRIDGE **(4)**. Clean inlets and MANIFOLD **(5)**.
 - Reassemble CARTRIDGE **(4)**, alternately tightening SCREWS **(3)**.
 - Replace CAP **(2)** and HANDLE **(1)**. Check flow.



6 CARE INSTRUCTIONS:

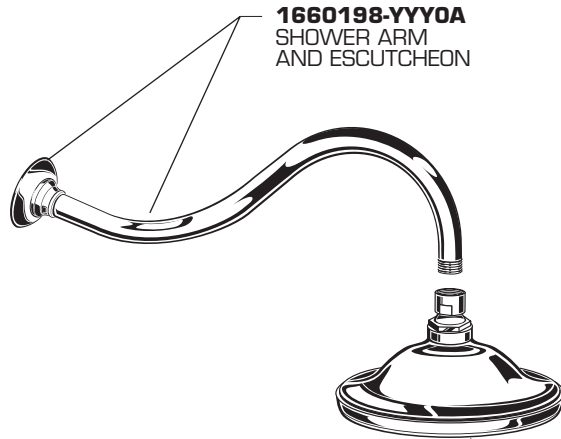
DO: SIMPLY RINSE THE PRODUCT CLEAN WITH CLEAR WATER. DRY WITH A SOFT COTTON FLANNEL CLOTH.

DO NOT: DO NOT CLEAN THE PRODUCT WITH SOAPS, ACID, POLISH, ABRASIVES, HARSH CLEANERS, OR A CLOTH WITH A COARSE SURFACE.

American Standard

**QUENTIN™
BATH/SHOWER
TRIM KITS
MODEL NUMBER**

**T440.502
T440.501
T440.500**



1660198-YYY0A
SHOWER ARM
AND ESCUTCHEON

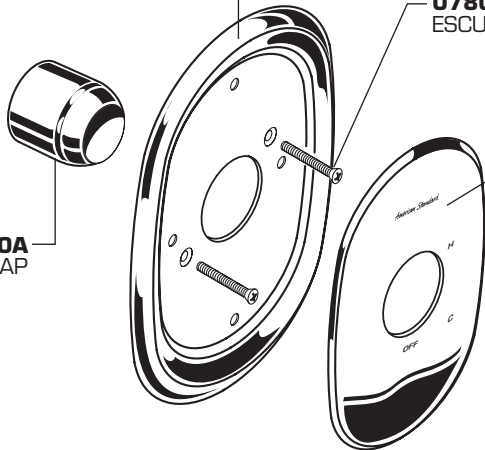
M953576-YYY0A
SHOWER HEAD

M962255-YYY0A
ESCUTCHEON AND SCREWS

078016-YYY0A
ESCUTCHEON SCREWS

M909623-YYY0A
DIAL PLATE

M907050-YYY0A
CARTRIDGE CAP



M964158-YYY0A
LEVER HANDLE KIT



M950267-YYY0A
DIVERTER SPOUT (SLIP-ON)

Replace the "YYY" with appropriate finish code

CHROME	002
OIL RUBBED BRONZE	224
SATIN NICKEL	295



HOT LINE FOR HELP

For toll-free information and answers to your questions, call:
1-800-442-1902
Weekdays 8:00 a.m. to 6:00 p.m. EST
IN CANADA 1-800-387-0369 (TORONTO 1-905-306-1093)
Weekdays 8:00 a.m. to 7:00 p.m. EST
IN MEXICO 01-800-839-12-00

Product names listed herein are trademarks of American Standard Inc.
© AS America, Inc. 2011

M965236