

NOTE: FITTING  
MUST BE INSTALLED  
WITH VOLUME  
CONTROL ON TOP.

**MODEL NUMBER:**

**TRIM KITS:**

- ☐ **T420.740 Two-Handle Thermostat Trim Kit**  
With separate volume control. LESS Valve.

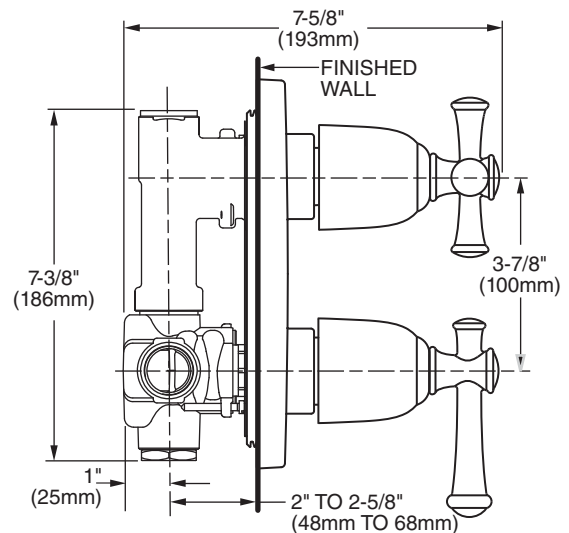
**ROUGH VALVES:**

**TEMPERATURE & ON/OFF VOLUME CONTROL ONLY**

- ☐ **R520 Rough Valve Body only\***  
1/2" NPT inlets/outlets. With separate volume control. LESS Trim.
- ☐ **R540 Rough Valve Body only\***  
3/4" NPT inlets/outlets. With separate volume control. LESS Trim.

**TEMPERATURE & ON/OFF VOLUME CONTROL & BUILT-IN DIVERTER**

- ☐ **R522 Rough Valve Body only**  
1/2" NPT inlets/outlets. With separate volume control & built-in 2-way diverter. LESS Trim.
- ☐ **R523 Rough Valve Body only**  
1/2" NPT inlets/outlets. With separate volume control & built-in 3-way diverter. LESS Trim.



**GENERAL DESCRIPTION:**

Cast brass valve body. The single unit contains two handles, the bottom lever handle sets the desired temperature and the top lever handle functions as an on/off, volume control. The temperature is maintained by a wax element moving a shuttle valve between hot and cold. The volume is controlled by twin ceramic disc valve cartridges. Ceratherm includes Hot Limit Safety Stop. Maximum temperature limit is 112°F. Escutcheon plate is stamped brass. Available with 1/2" or 3/4" NPT inlets and outlets. The valve has a high flow rate, ideal for multiple outlet installations.

**PRODUCT FEATURES:**

- Brass Casting:** Highest quality faucet material for durability & long life.
- Wax Thermostatic Unit:** Permits shuttle valve to move between the hot and cold seat to maintain the pre-selected constant water temperature.
- Back to Back Capable:** Hot and cold can be reversed.
- Spring-Loaded Check Valves:** When the hot and cold water enters the fitting, both supplies pass through the spring-loaded check valves to prevent cross flow of hot and cold water.
- Integrated Stop Valves:** Ensure easy cleaning and servicing.
- Adjustable Hot Limit Safety Stop:** Limits the amount of hot water allowed to mix with cold. Reduces the risk of accidental scalding. Maximum water temperature limit may be reduced to 104 or 109 degrees Fahrenheit.

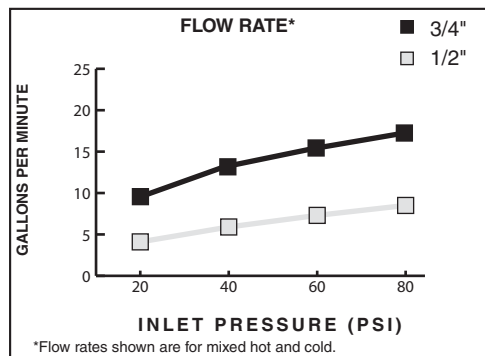
**SUGGESTED SPECIFICATION:**

Two handle Thermostat shall feature a cast brass valve body. Thermostat shall be a wax element shuttle valve. Shall also feature ceramic disc valving, 1/2" NPT or 3/4" NPT inlets and outlets. Fitting shall be American Standard Model # T420.740.\_\_\_\_ (Trim Kit) and R52\_ or R540 (Rough Valve).

**CODES AND STANDARDS**

These products meet or exceed the following codes and standards:

- ASSE 1016
- ASME A112.18.1
- CSA B125.1



TRIM KITS**	Product Number	Description	Finish Options		
			Polished Chrome	Oil Rubbed Bronze	PVD Satin Nickel
			002	224	295
T420.740*	Two-handle Thermostat Trim Kit with separate volume control.				

ROUGH VALVE BODIES	Product Number	Description
	R520*	Rough Valve Body - 1/2" NPT Inlets/Outlets. With separate volume control only. LESS trim.
	R540*	Rough Valve Body - 3/4" NPT Inlets/Outlets. With separate volume control only. LESS trim.
	R522	Rough Valve Body - 1/2" NPT Inlets/Outlets. With separate volume control and built-in 2-way diverter. LESS trim.
	R523	Rough Valve Body - 1/2" NPT Inlets/Outlets. With separate volume control and built-in 3-way diverter. LESS trim.

**\*NOTE:** When used as a Bath/Shower a separate diverter valve is required (such as R420 or R430).  
**Requires twin ell (must be ordered separately) for use with diverter spouts.**

**\*\*ROUGH & TRIM MUST BE ORDERED SEPARATELY.**