



T375.120 Bath/Shower Trim Shown

MODEL NUMBER:

TRIM KITS:

- ☐ T375.120 Colony BATH/SHOWER Trim Kit
Lever Handle. LESS Valve Body.
- ☐ T375.240 Colony BATH/SHOWER Trim Kit
Metal Lever Handle. LESS Valve Body.
- ☐ T372.120 Colony SHOWER ONLY Trim Kit
Lever Handle. LESS Valve Body.
- ☐ T372.240 Colony SHOWER ONLY Trim Kit
Metal Lever Handle. LESS Valve Body.
- ☐ T371.120 Colony VALVE ONLY Trim Kit
Lever Handle. LESS Valve Body.
- ☐ T371.240 Colony VALVE ONLY Trim Kit
Metal Lever Handle. LESS Valve Body.

*For use with R110 Series Pressure Balance Valves.
See reverse side for available Rough Valves.*

GENERAL DESCRIPTION:

SHOWERHEAD

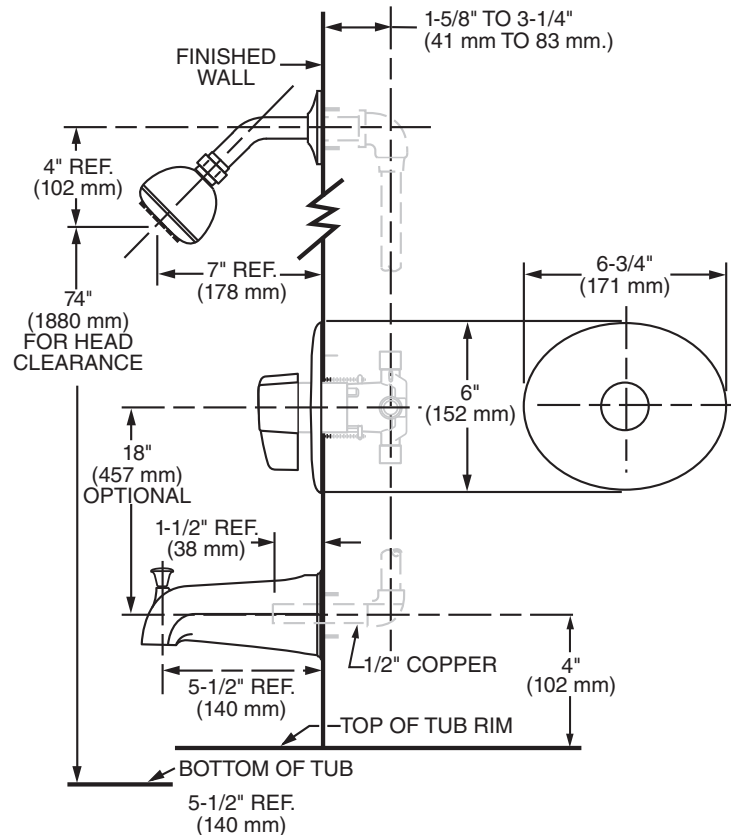
Single function showerhead at maximum 2.5 gpm/9.5 L/min. flow rate.

WALL TUB SPOUT

Metal slip-on diverter spout.

WALL VALVE TRIM

Available with lever or metal lever handle.
Plastic wall escutcheon.



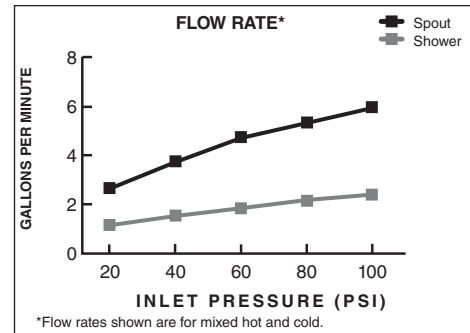
SUGGESTED SPECIFICATION:

Bath/shower fitting shall feature single function showerhead with Max. 2.5 gpm/9.5 L/min. flow rate. Fitting shall be:
American Standard - Trim Kit Model # T375._____, Model # T372._____, Model # T371._____ and Valve Body Model # R11_.

CODES AND STANDARDS

These products meet or exceed the following codes and standards:

- ANSI A 117.1
- ASSE 1016
- ASME A112.18.1
- CSA B 125.1



Modifications	Parts Suffix*
	__IPT
	__WD

*To modify a product, add suffix after the 4th digit (ex. T064**IT**P502.002)

TRIM KITS *	Product Number	Description	* TRIM & ROUGH MUST BE ORDERED SEPARATELY.		Finish Options
					Polished Chrome
					002
	T375.120	Bath/Shower Trim Kit. Lever Handle. LESS Valve Body.			
	T375.240	Bath/Shower Trim Kit. Metal Lever Handle. LESS Valve Body.			
	T372.120	Shower Only Trim Kit. Lever Handle. LESS Valve Body.			
	T372.240	Shower Only Trim Kit. Metal Lever Handle. LESS Valve Body.			
	T371.120	Valve Only Trim Kit. Lever Handle. LESS Valve Body.			
	T371.240	Valve Only Trim Kit. Metal Lever Handle. LESS Valve Body.			

ROUGH VALVE BODIES	Product Number	Description
	R111	Rough Valve Body less trim. Universal inlets/outlets.
	R111SS	Rough Valve Body less trim. Universal inlets/outlets with Screwdriver Stops.
	R110	Rough Valve Body less trim. Direct sweat inlets/outlets.
	R110SS	Rough Valve Body less trim. Direct sweat inlets/outlets with Screwdriver Stops.
	R115	Rough Valve Body less trim. Female Thread inlets/outlets.
	R115SS	Rough Valve Body less trim. Female Thread inlets/outlets with Screwdriver Stops.
	R117	Rough Valve Body less trim. PEX inlets/universal outlets for Crimp Ring PEX system (ASTM F1807).
	R117SS	Rough Valve Body less trim. PEX inlets/universal outlets for Crimp Ring PEX system (ASTM F1807) with Screwdriver Stops.
	R118	Rough Valve Body less trim. PEX inlets/universal outlets for Cold Expansion PEX system (ASTM F1960).
	R118SS	Rough Valve Body less trim. PEX inlets/universal outlets for Cold Expansion PEX system (ASTM F1960) with Screwdriver Stops.
	R119	Rough Valve Body less trim. CPVC inlets/universal outlets.
	R119SS	Rough Valve Body less trim. CPVC inlets/universal outlets with Screwdriver Stops.

Meets the American Disabilities Act Guidelines and **ANSI A117.1** Requirements for the physically challenged.