



T215.730 Bath/Shower Trim Shown

**GENERAL DESCRIPTION:**

**SHOWERHEAD**

Single function showerhead at maximum 2.5 gpm/9.5 L/min. flow rate.

**WALL TUB SPOUT**

Metal slip-on diverter spout.

**WALL VALVE TRIM**

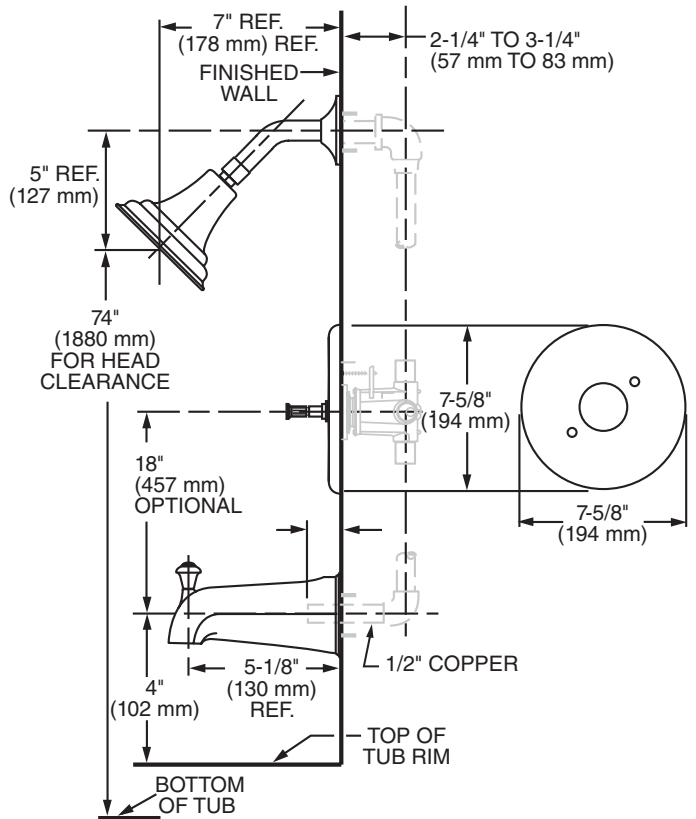
Available with metal lever handle.  
 Brass wall escutcheon.

**MODEL NUMBER:**

**TRIM KITS:**

- **T215.730 Hampton BATH/SHOWER Trim Kit**  
 Metal Lever Handle. LESS Valve Body.
- **T212.730 Hampton SHOWER ONLY Trim Kit**  
 Metal Lever Handle. LESS Valve Body.
- **T211.730 Hampton VALVE ONLY Trim Kit**  
 Metal Lever Handle. LESS Valve Body.

*For use with R110 Series Pressure Balance Valves.  
 See reverse side for available Rough Valves.*



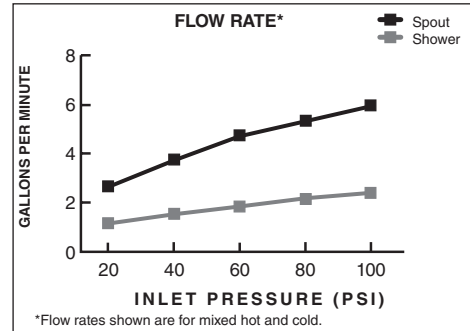
**SUGGESTED SPECIFICATION:**

Bath/shower fitting shall feature single function showerhead at maximum 2.5 gpm/9.5 L/min. flow rate. Fitting shall be: American Standard - Trim Kit Model # T21\_.730.\_\_\_\_, and Valve Body Model # R11\_.

**CODES AND STANDARDS**

These products meet or exceed the following codes and standards:

- ANSI A 117.1
- ASSE 1016
- ASME A112.18.1
- CSA B 125



TRIM KITS *	Product Number	Description	* TRIM & ROUGH MUST BE ORDERED SEPARATELY.			Finish Options		
			002	099	295	Polished Chrome	PVD Polished Brass	PVD Satin Nickel
T215.730	Bath/Shower Trim Kit. Metal Lever Handle. LESS Valve Body.							
T212.730	Shower Only Trim Kit. Metal Lever Handle. LESS Valve Body.							
T211.730	Valve Only Trim Kit. Metal Lever Handle. LESS Valve Body.							

ROUGH VALVE BODIES	Product Number	Description
	R111	Rough Valve Body less trim. Universal inlets/outlets.
	R111SS	Rough Valve Body less trim. Universal inlets/outlets with Screwdriver Stops.
	R110	Rough Valve Body less trim. Direct sweat inlets/outlets.
	R110SS	Rough Valve Body less trim. Direct sweat inlets/outlets with Screwdriver Stops.
	R115	Rough Valve Body less trim. Female Thread inlets/outlets.
	R115SS	Rough Valve Body less trim. Female Thread inlets/outlets with Screwdriver Stops.
	R117	Rough Valve Body less trim. PEX inlets/universal outlets for Crimp Ring PEX system (ASTM F1807).
	R117SS	Rough Valve Body less trim. PEX inlets/universal outlets for Crimp Ring PEX system (ASTM F1807) with Screwdriver Stops.
	R118	Rough Valve Body less trim. PEX inlets/universal outlets for Cold Expansion PEX system (ASTM F1960).
	R118SS	Rough Valve Body less trim. PEX inlets/universal outlets for Cold Expansion PEX system (ASTM F1960) with Screwdriver Stops.
	R119	Rough Valve Body less trim. CPVC inlets/universal outlets.
	R119SS	Rough Valve Body less trim. CPVC inlets/universal outlets with Screwdriver Stops.

Meets the American Disabilities Act Guidelines and **ANSI A117.1** Requirements for the physically challenged.