

**TROPIC 24" VANITY**

**☐ 9212.024 Tropic Vanity**

- Traditional style vanity with Asian flair
- Constructed of poplar solids and birch veneers
- Matching Rattan door pulls included
- Distressed Nutmeg finish (Sound knots and slight surface cracks are true personality characteristics of this design)

**Nominal Dimensions:**

24" x 19-1/2" (610 x 495mm)

34-1/2" height (876mm)

**Meets or Exceeds the Following Specifications:**

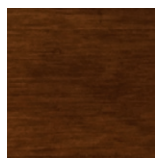
- ASTM E133-2002

**To Be Specified (Required):**

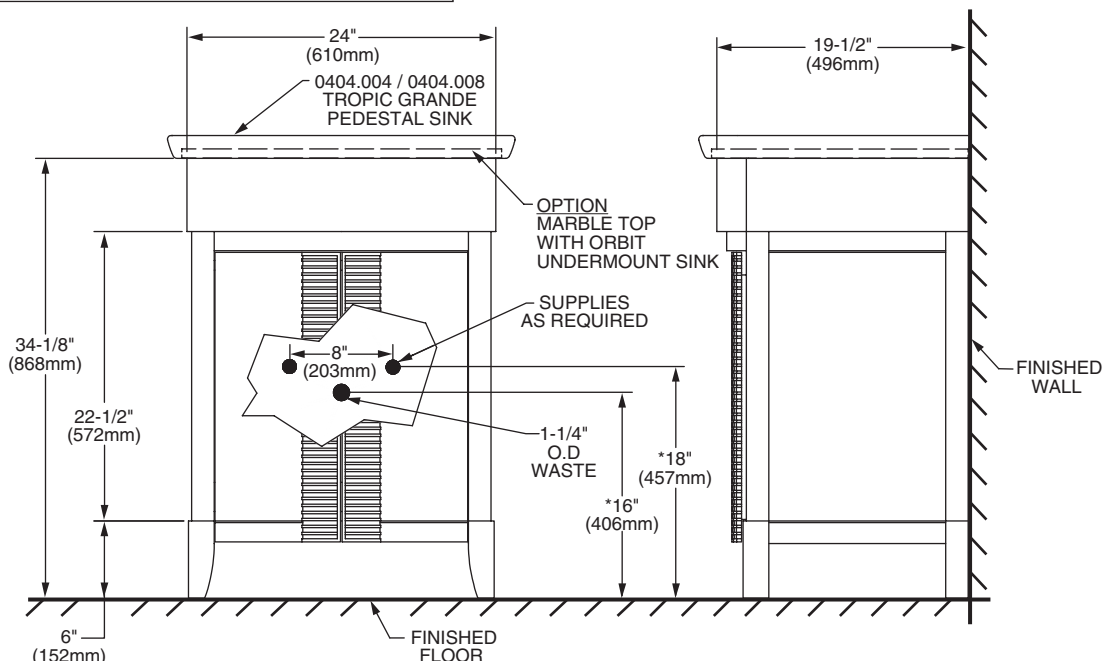
- ☐ **9212.124** Laminated marble top, custom cut for Orbit undermount sink, pre-drilled for 8" faucet holes  
**with**
- ☐ **0630.000** Orbit vitreous china undermount sink (White - 020)

**OR**

- ☐ **0404.004** Tropic Grande vitreous china top - 4" faucet holes (White - 020)
- ☐ **0404.008** Tropic Grande vitreous china top - 8" faucet holes (White - 020)



Nutmeg



**NOTES:**  
 \* DIMENSIONS SHOWN FOR LOCATION OF SUPPLIES AND "P" TRAP ARE SUGGESTED.  
 - FITTINGS NOT INCLUDED AND MUST BE ORDERED SEPARATELY.  
 PROVIDE SUITABLE REINFORCEMENT FOR ALL WALL SUPPORTS.

**IMPORTANT:** Dimensions of fixtures are nominal and may vary within the range of tolerances established by ANSI Standard A112.19.9M. These measurements are subject to change or cancellation. No responsibility is assumed for use of superseded or voided pages.