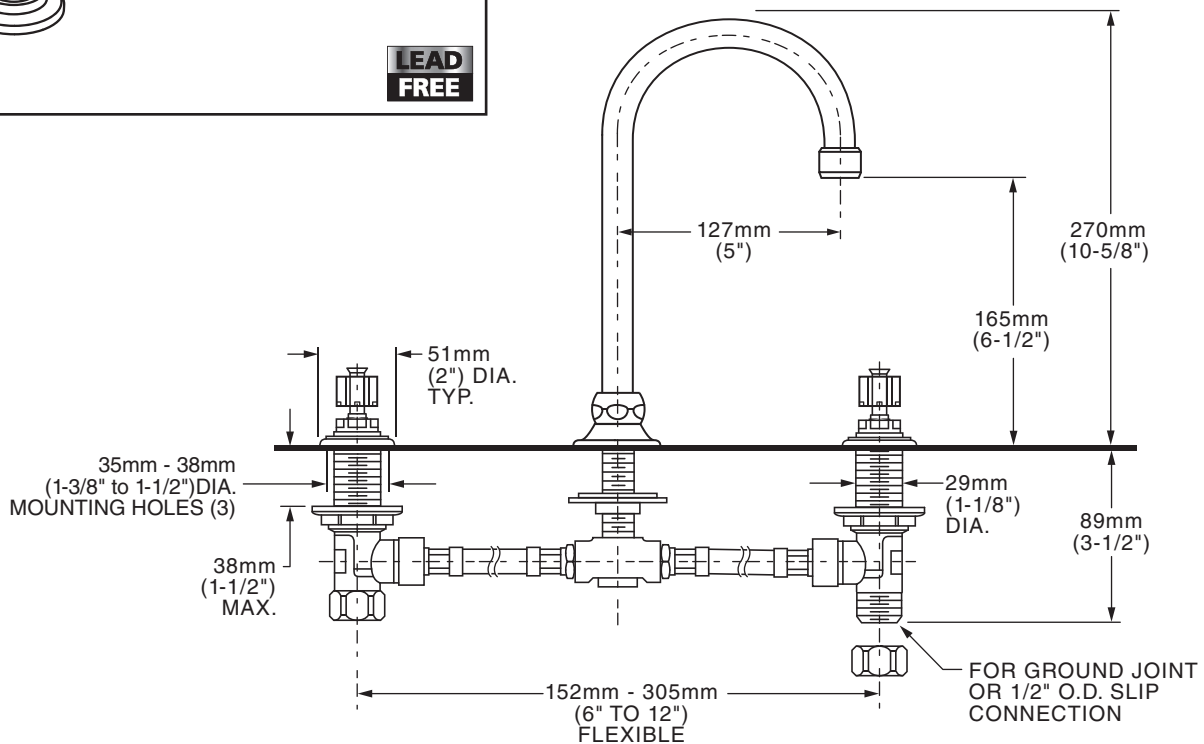




MODEL NUMBER:

- 7890.000 Bar/Pantry Sink Faucet**
 Gooseneck swivel spout. Less handles.

Handles must be ordered separately.



GENERAL DESCRIPTION:

Cast brass valve bodies with reinforced flexible hose connections for 6" to 12" (152mm to 305mm) installations. Amaris 1/4 turn washerless ceramic disc valve cartridges - reversible for use with either lever or round handles. One-half inch male inlet shanks with brass coupling nuts and shank nuts. Brass gooseneck swivel spout. 2.2gpm/8.3L/min. maximum flow rate.

PRODUCT FEATURES:

Ceramic Disc Valve Cartridges: Assures a lifetime of drip-free performance.

Brass Construction: Durable - Excellent in high use applications. Ideal for prolonged contact with water.

Lead Free: Faucet contains $\leq 0.25\%$ total lead content by weighted average.

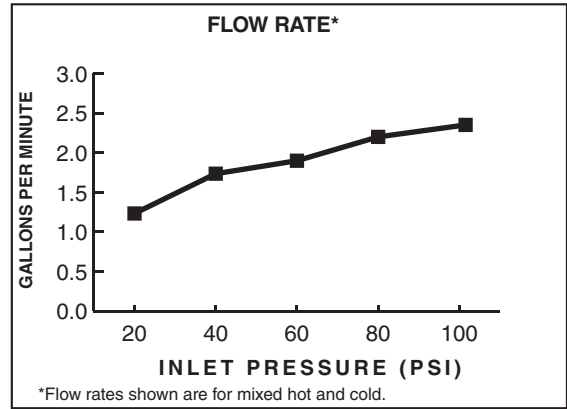
SUGGESTED SPECIFICATION:

Two handle bar sink/pantry faucet shall feature cast brass valve bodies with reinforced flexible hose connections for 6" to 12" installations. All brass shank nuts and coupling nuts. Shall also feature 1/4 turn washerless ceramic disc valve cartridges that are reversible for use with round or lever handles. Faucet shall be American Standard Model # 7890.000,___ and handle kit # 0000,___,___.

CODES AND STANDARDS

These products meet or exceed the following codes and standards:

- ASME A112.18.1**
- CSA B 125**
- NSF 61/Section 9 and Annex G**



Product Number	Description	Finish Options
		Polished Chrome
		002
7890.000	Bar/Pantry Sink faucet. Less handles.	

Handles must be ordered separately.

To order **Less Handles** - Specify: 4 digit style number followed by three zeros and 3 digit finish number.

The above fittings will accept the following Amaris-Series handles.

Metal Lever	Perfume Bottle	Metal Lever	Wrist Blade	Lever
442	432	542	372H 372V	342H 342V

MEETS THE AMERICANS WITH DISABILITIES ACT GUIDELINES AND ANSI A117.1 REQUIREMENTS FOR ACCESSIBLE AND USABLE BUILDING FACILITIES-CHECK LOCAL CODES