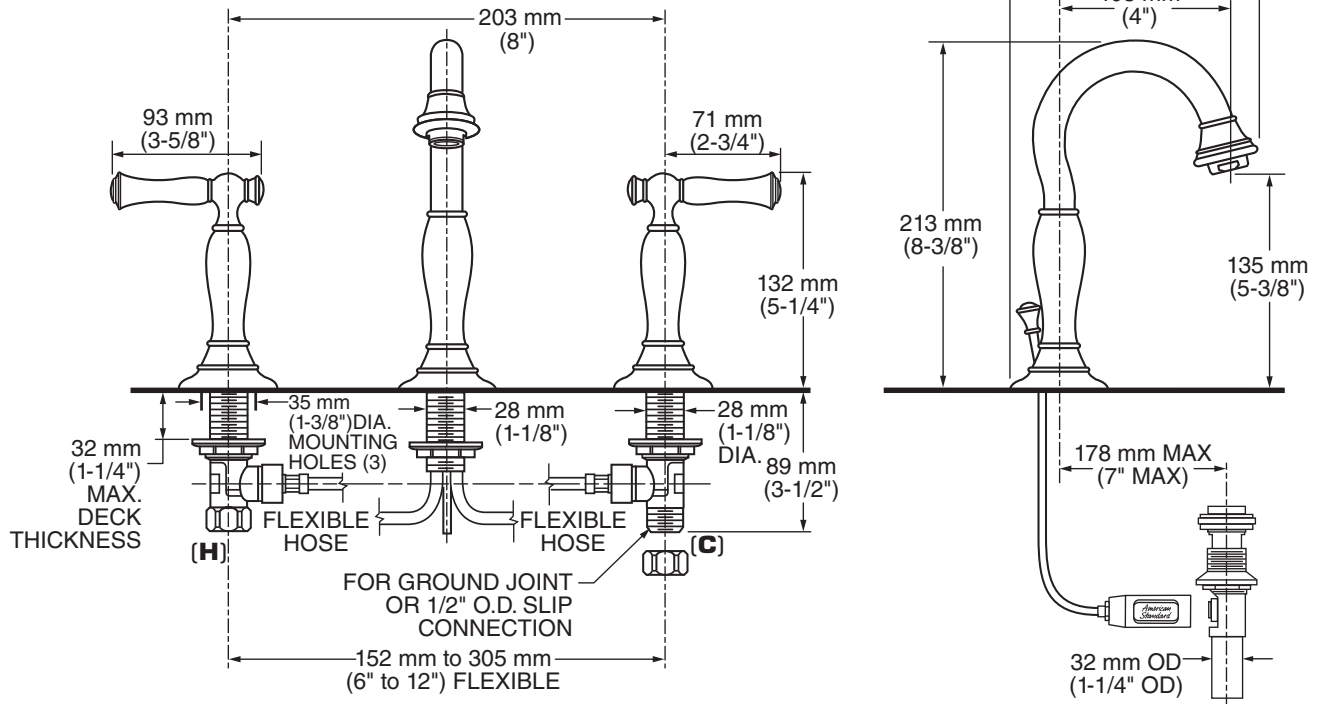


MODEL NUMBER:

- 7440.801 Quentin Widespread
Metal Speed Connect® pop-up drain.
Metal lever handle.



GENERAL DESCRIPTION:

Cast brass valve bodies with flexible hose connections for 6" to 12" (152 mm to 305 mm) installations. 1/4 turn washerless ceramic disc valve cartridges. Metal lever handles. Brass swivel spout. (Spout can be locked, if desired). One-half inch male inlet shanks with brass coupling nuts. 20" (500 mm) long flexible stainless steel drain cable is pre-assembled to spout. Metal Speed Connect® drain body with 1-1/4 inch (32 mm) tail piece. 1.2 gpm/4.5 L/min. maximum flow rate.

PRODUCT FEATURES:

- Brass Swivel Spout:** Durable. Easy to clean. Ideal for prolonged contact with water.
- Ceramic Disc Valve Cartridge:** Assures a lifetime of smooth handle operation and drip-free performance.
- Exclusive Speed Connect Metal Drain:**
 - Fewer parts. Installs in less time.
 - No adjustments required - seals the first time, every time.
 - Flexible stainless steel cable - installs effortlessly in tight spaces.
- Lead Free:** Faucet contains ≤ 0.25% total lead content by weighted average.

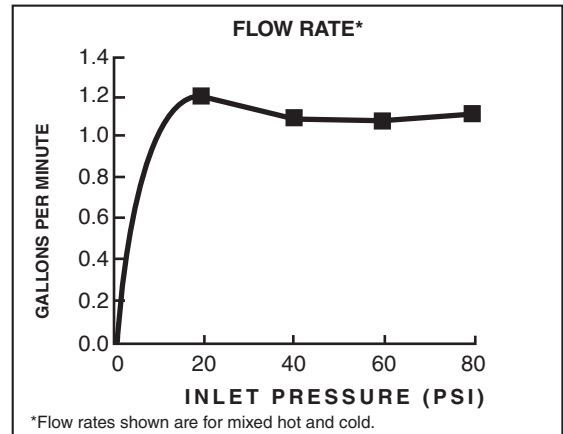
SUGGESTED SPECIFICATION


Two handle widespread lavatory faucet shall feature cast brass valve bodies with flexible hose connections for 6" to 12" installations. Shall also feature brass swivel spout and metal lever handles. Shall also feature 1/4 turn washerless ceramic disc valve cartridges. Shall also feature a metal drain body with stainless steel cable actuation. Fitting shall be American Standard Model # 7440.801._____.

CODES AND STANDARDS

These products meet or exceed the following codes and standards:

- ASME A112.18.1**
- NSF 61/Section 9 and Annex G**
- CSA B125.1**



Product Number	Description	Finish Options		
		Polished Chrome	Oil Rubbed Bronze	PVD Satin Nickel
		002	224	295
7440.801	Quentin Widespread with metal Speed Connect® pop-up drain. Metal lever handles. 			

 Meets the American Disabilities Act Guidelines and **ANSI A117.1** Requirements for the physically challenged.

AERATOR MODIFICATIONS***	Parts Suffix**
0.5 gpm (1.9 Lpm) PCA* Spray	___F05
1.0 gpm (3.8 Lpm) PCA Aerator	___F10

*PCA — Pressure Compensating

To modify a product, add suffix after the 4th digit (ex. 2064F05**101.002)

***Modified product models are **NOT** WaterSense certified.