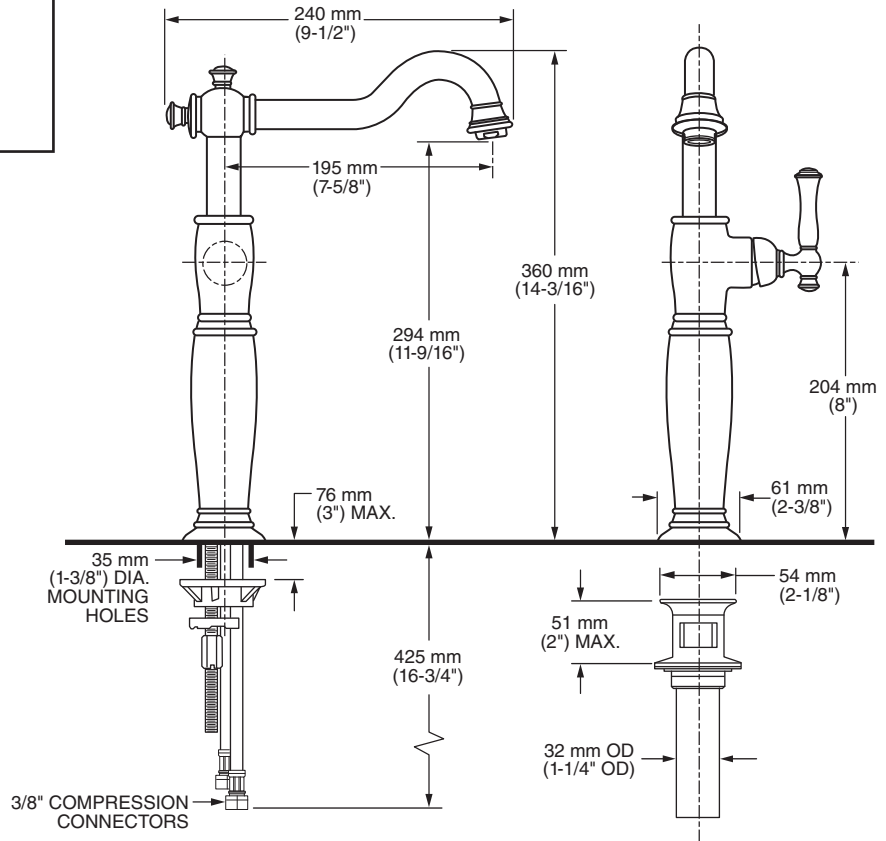


MODEL NUMBER:

- ☐ 7440.152 Single Control Vessel Grid Drain.
- ☐ 7440.151 Single Control Vessel Less Drain.



GENERAL DESCRIPTION:

Brass spout. Washerless 28 mm ceramic disc valve cartridge provides steady water flow even in low pressure situations. Metal lever handle. Braided flexible supply hoses with 3/8" compression connectors. 1.2 gpm/4.5 L/min. maximum flow rate.

PRODUCT FEATURES:

- Brass Construction:** Durable. Easy to clean. Ideal for prolonged contact with water.
- Multiport Ceramic Disc Valve Cartridge:** Assures a lifetime of smooth handle operation and drip-free performance.
- Adjustable Hot Limit Safety Stop:** Limits the amount of hot water allowed to mix with cold. Reduces the risk of accidental scalding.
- Lead Free:** Faucet contains ≤ 0.25% total lead content by weighted average.

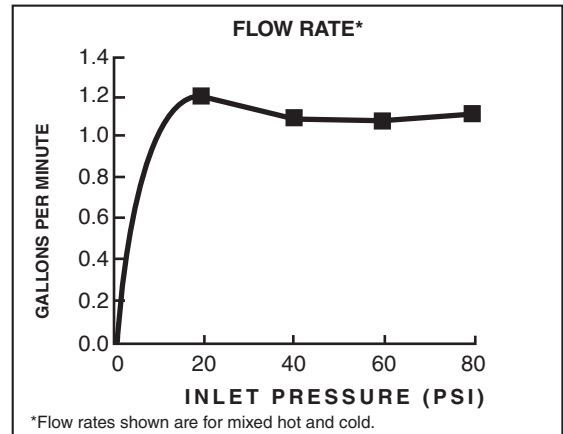
SUGGESTED SPECIFICATION

Single control lavatory faucet shall feature a cast brass body and metal lever handle. Fitting shall be equipped with flexible supplies with 3/8" compression connectors. Shall also feature multiport washerless ceramic disc valve cartridge. Fitting shall be American Standard Model # 7440.15__.

CODES AND STANDARDS

These products meet or exceed the following codes and standards:

- ANSI A117.1**
- ASME A112.18.1**
- CSA B125.1**
- NSF 61/Section 9 and Annex G**



Product Number	Description		Finish Options		
			Polished Chrome	Oil Rubbed Bronze	PVD Satin Nickel
			002	224	295
7430.152	Quentin Single Control Vessel faucet with grid drain.				
7430.151	Quentin Single Control Vessel faucet less drain.				

Meets the American Disabilities Act Guidelines and **ANSI A117.1** Requirements for the physically challenged.