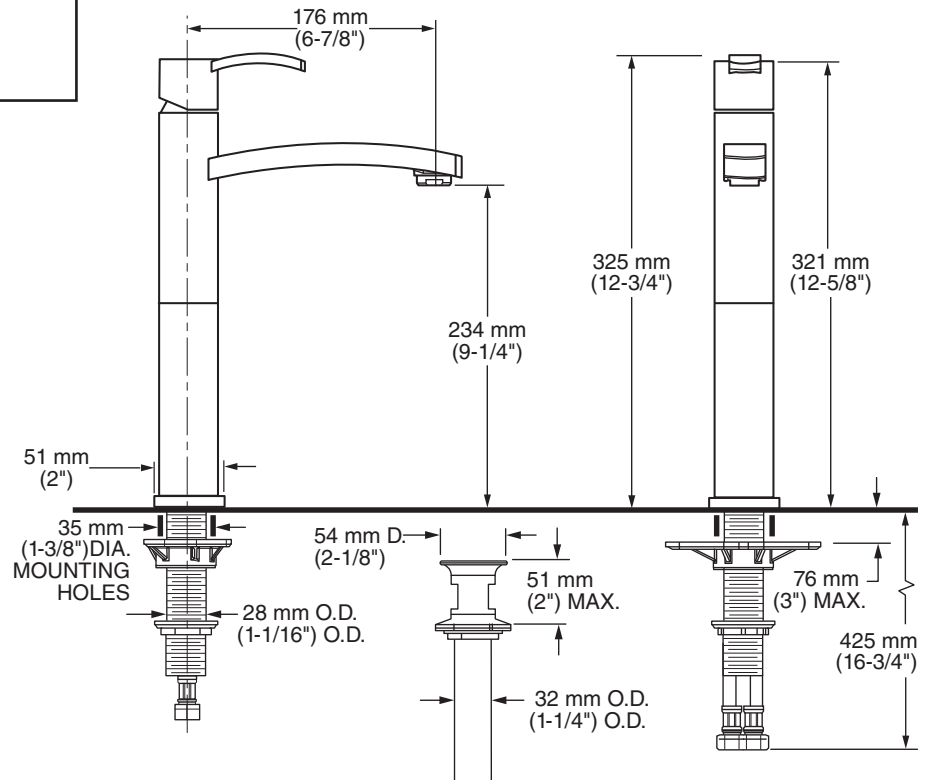


MODEL NUMBER:

- ☐ 7430.152 Berwick Single Control Vessel Grid Drain.
- ☐ 7430.151 Berwick Single Control Vessel Less Drain.



GENERAL DESCRIPTION:

Brass body. Metal lever handle. Washerless 35 mm ceramic disc valve cartridge with integral hot limit safety stop. Braided flexible supply hoses with 3/8" compression connectors. 1.2 gpm/4.5 L/min. maximum flow rate.

PRODUCT FEATURES:

Brass Construction: Durable. Easy to clean. Ideal for prolonged contact with water.

Ceramic Disc Valve Cartridge: Assures a lifetime of smooth handle operation and drip-free performance.

Adjustable Hot Limit Safety Stop: Limits the amount of hot water allowed to mix with cold. Reduces the risk of accidental scalding.

Lead Free: Faucet contains ≤ 0.25% total lead content by weighted average.

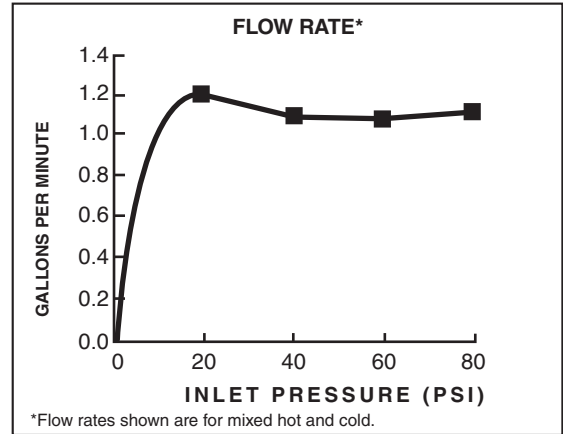
SUGGESTED SPECIFICATION

Single control lavatory faucet shall feature a brass body and metal lever handle. Fitting shall be equipped with flexible supplies with 3/8" compression connectors. Shall also feature washerless ceramic disc valve cartridge with an integral hot limit safety stop. Fitting shall be American Standard Model # 7430.....


CODES AND STANDARDS

These products meet or exceed the following codes and standards:

- ANSI A117.1**
- ASME A112.18.1**
- NSF 61/Section 9 and Annex G**
- CSA B125.1**



Product Number	Description	Finish Options	
		Polished Chrome	PVD Brushed Nickel
		002	295
7430.152	Berwick Single Control Monoblock faucet with grid drain.	ADA	
7430.151	Berwick Single Control Monoblock faucet less drain.	ADA	

 Meets the American Disabilities Act Guidelines and **ANSI A117.1** Requirements for the physically challenged.

AERATOR MODIFICATIONS***	Parts Suffix**
0.5 gpm (1.9 Lpm) PCA* Spray	___F05
1.0 gpm (3.8 Lpm) PCA Aerator	___F10

*PCA — Pressure Compensating
 To modify a product, add suffix after the 4th digit (ex. 2064F05**101.002)
 ***Modified product models are **NOT** WaterSense certified.