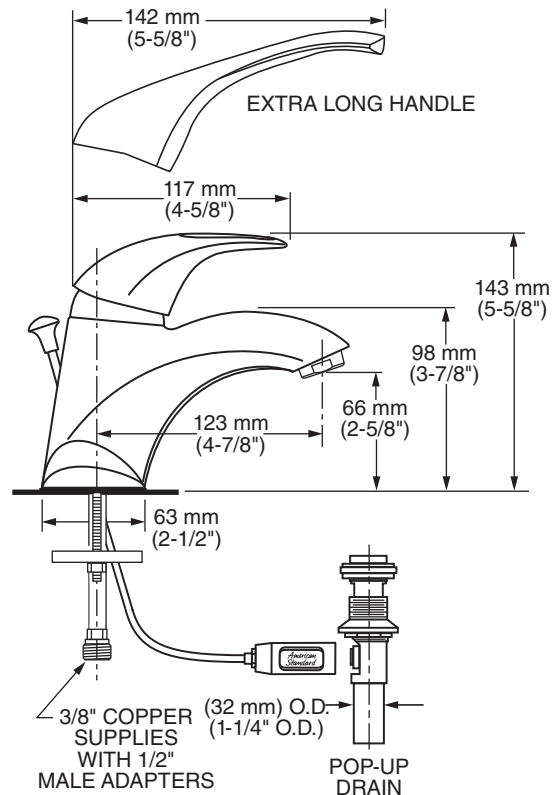
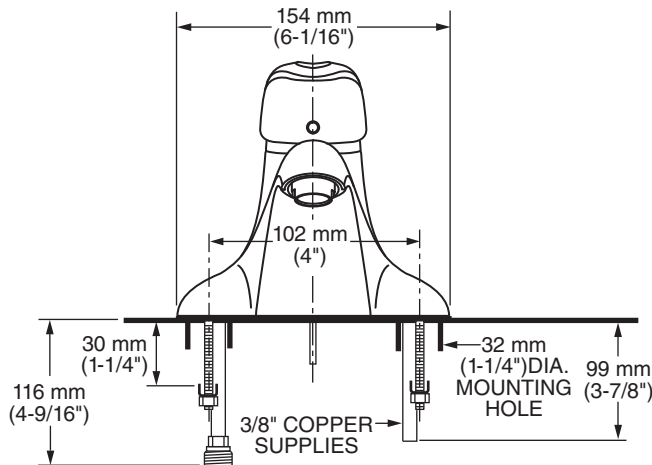




7385.045 Shown



**GENERAL DESCRIPTION:**

All metal body with choice of metal lever or indexed metal lever handle. Washerless 47 mm ceramic disc valve cartridge with integral hot limit safety stop. Durable cast brass waterway with copper supplies (available with or without 1/2" male adapters). 20" (500 mm) long flexible stainless steel drain cable is pre-assembled to faucet body (on 7385.045). Metal Speed Connect® drain body (on 7385.045) with 1-1/4" (32 mm) tail piece. 1.2 gpm/4.5 L/min. maximum flow rate.

**PRODUCT FEATURES:**

- Cast Brass and Copper Waterway:** Strong and durable.
- Ceramic Disc Valve Cartridge:** Assures smooth, precise valve control and a lifetime of drip-free, maintenance-free performance.
- Adjustable Hot Limit Safety Stop:** Limits the amount of hot water allowed to mix with cold. Reduces the risk of accidental scalding.
- Exclusive Speed Connect Metal Drain:**
  - Fewer parts. Installs in less time.
  - No adjustments required - seals the first time, every time.
  - Flexible stainless steel cable - installs effortlessly in tight spaces.
- Lead Free:** Faucet contains ≤ 0.25% total lead content by weighted average.

**SUGGESTED SPECIFICATION**

Single control lavatory fitting shall feature an all metal body with metal lever handle. Shall feature a cast brass and copper waterway. Shall also feature a washerless ceramic disc valve cartridge with integral hot limit safety stop. Shall also feature a metal drain body with stainless steel cable actuation. Fitting shall be American Standard Model # 7385.....

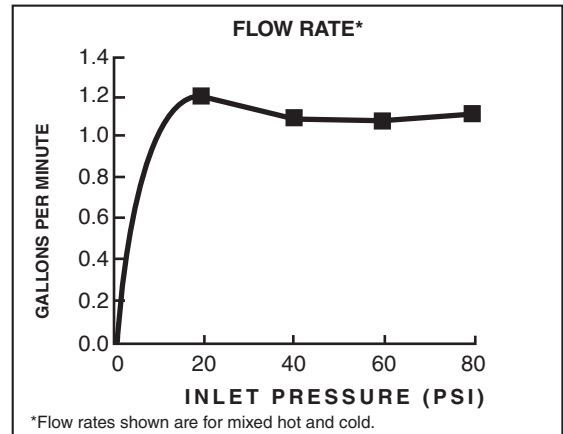


# RELIANT® 3 SINGLE CONTROL LAVATORY FAUCET

## CODES AND STANDARDS

These products meet or exceed the following codes and standards:

- ANSI A117.1
- ASME A112.18.1
- NSF 61/Section 9 and Annex G
- CSA B125.1



| Product Number | Description                                                                                         | Finish Options  |
|----------------|-----------------------------------------------------------------------------------------------------|-----------------|
|                |                                                                                                     | Polished Chrome |
|                |                                                                                                     | 002             |
| 7385.045       | Metal Speed Connect pop-up drain. Metal lever handle. 3/8" copper supplies with 1/2" male adapters. |                 |
| 7385.047       | Same as above. LESS drain. LESS pop-up hole.                                                        |                 |

Meets the American Disabilities Act Guidelines and **ANSI A117.1** Requirements for the physically challenged.

| 7385.045                                                                                                     | 7385.047                                                                                                                          |
|--------------------------------------------------------------------------------------------------------------|-----------------------------------------------------------------------------------------------------------------------------------|
|                                                                                                              |                                                                                                                                   |
| <ul style="list-style-type: none"> <li>• Metal Lever Handle</li> <li>• Speed Connect® metal drain</li> </ul> | <ul style="list-style-type: none"> <li>• Indexed (Red/Blue) metal lever handle</li> <li>• LESS drain, LESS pop-up hole</li> </ul> |

\*PCA — Pressure Compensating

\*\*To modify a product, add suffix after the 4th digit (ex. 2064**F05**101.002)

\*\*\*Modified product models are **NOT** WaterSense certified.

| AERATOR MODIFICATIONS*** |                                                             |                                             | Parts Suffix** | Parts Suffix** |
|--------------------------|-------------------------------------------------------------|---------------------------------------------|----------------|----------------|
| Drain Options            |                                                             | Less Pop-up Drain; With Hole and Pop-up Rod | __XPR          | ___            |
| Handle Options           |                                                             | Indexed Metal Lever Handle (Red/Blue)       | __RB           | Included       |
|                          |                                                             | Extra Long Handle                           | __LH           | __LH           |
| Flow Control Options     | 0.5 gpm (1.9 Lpm) PCA* Spray                                |                                             | __F05          | __F05          |
|                          | Vandal-Resistant — 1.5 gpm/5.7 L/min. PCA* Aerator          |                                             | ___            | __V15          |
|                          | Vandal-Resistant — 1.2 gpm (4.5 L/min.) PCA Aerator         |                                             | __V12          | __V12          |
|                          | 1.0 gpm (3.8 L/min.) PCA Aerator                            |                                             | __F10          | __F10          |
|                          | Vandal-Resistant — 1.0 gpm (3.8 L/min.) PCA Aerator         |                                             | __V10          | __V10          |
|                          | Non-Aerated Vandal-Resistant — 0.5 gpm/1.9 L/min. PCA Spray |                                             | ___            | __V05          |