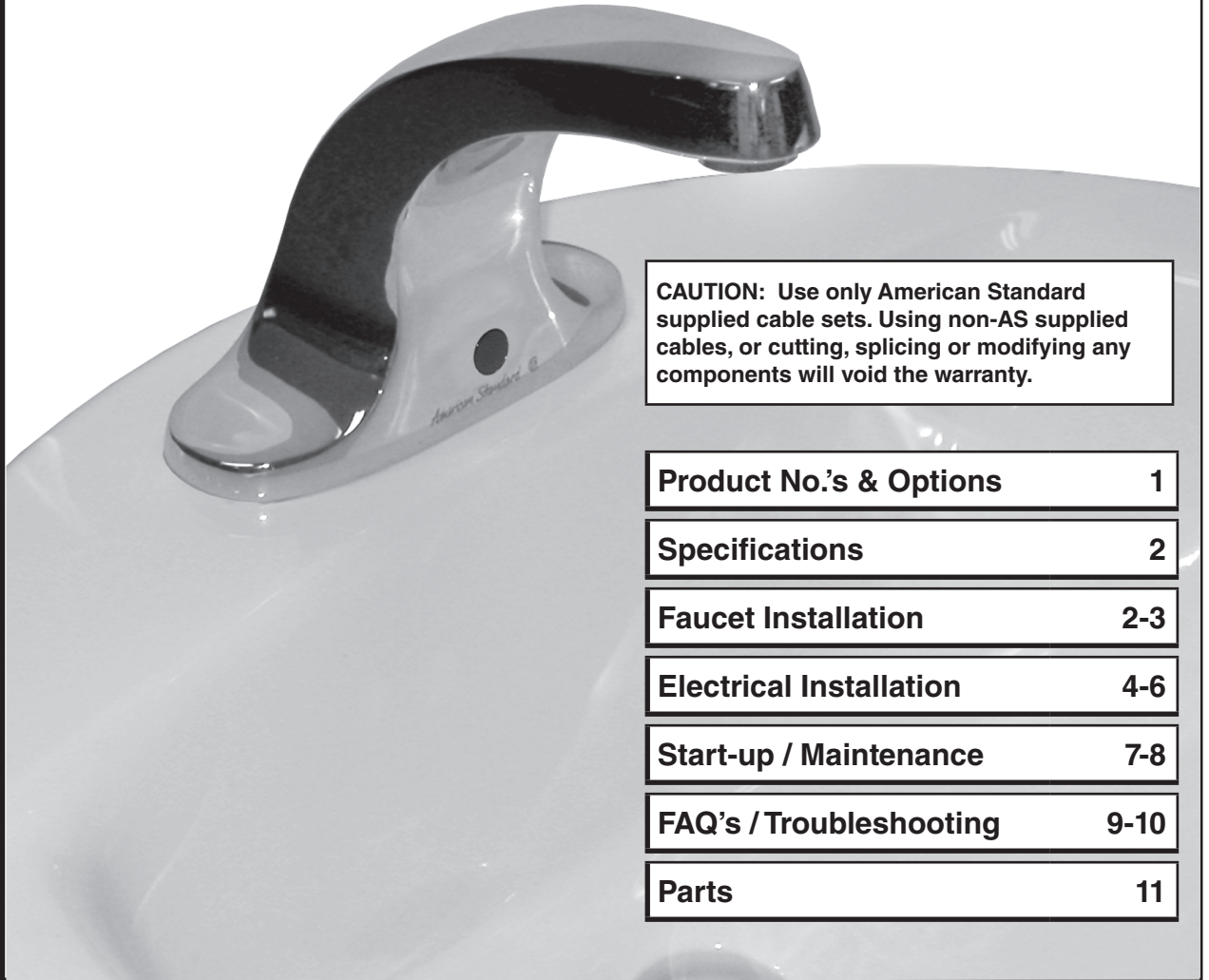


Installation Instructions

SELECTRONIC® Innsbrook Lavatory Proximity Faucet

MODEL NUMBERS

605X.202
605X.204
605X.205



CAUTION: Use only American Standard supplied cable sets. Using non-AS supplied cables, or cutting, splicing or modifying any components will void the warranty.

Product No.'s & Options	1
Specifications	2
Faucet Installation	2-3
Electrical Installation	4-6
Start-up / Maintenance	7-8
FAQ's / Troubleshooting	9-10
Parts	11

American Standard

NOTE TO INSTALLER: Please give this manual to the customer after installation.

To learn more about American Standard Selectronic® Products visit our website at: www.americanstandard-us.com or e-mail us at: CRTTEAM@americanstandard.com

For Parts, Service, Warranty or other Assistance,
please call (844) CRT-TEAM / (844) 278-8326 (In Canada: 1-800-387-0369)
(In Toronto Area only: 1-905-306-1093)

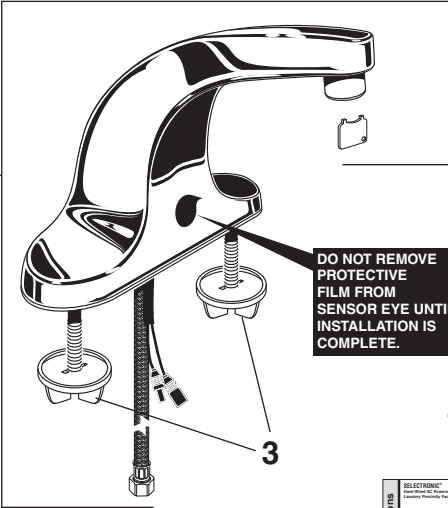
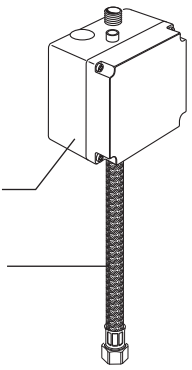


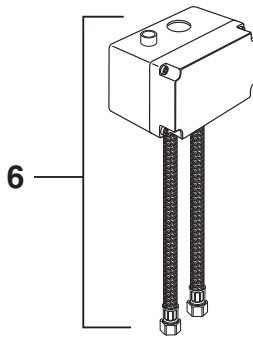



American Standard
CRT
Certified Response Technician

Thank you for selecting American-Standard...the benchmark of fine quality for over 100 years. To ensure that your installation proceeds smoothly--please read these instructions carefully before you begin.

UNPACKING All American Standard Products Are Water Tested At Our Factory. Some Residual Water May Remain In The Valve During Shipping

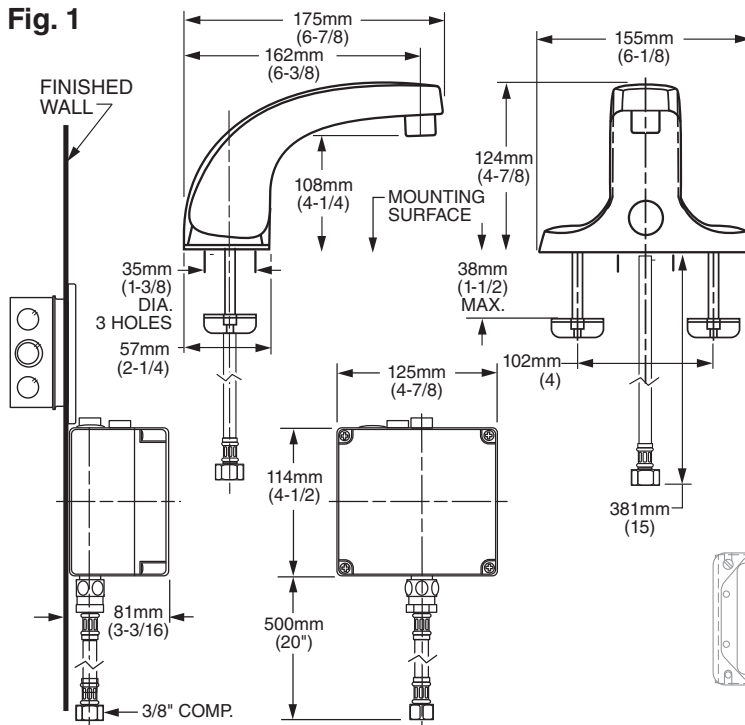
The illustration below shows the fitting and all loose items after they have been removed from the carton. Some items may be packaged partially assembled to other items.

- 1. Installation Instructions
- 2. Spout Assembly
- 3. Mounting Nuts
- 4. Control Box
- 5. Supply Hose
- 6. Mixing Valve (optional, must be ordered separately)
- 7. Control Box Cover Screws

Base Product	<p>PRODUCT No.s 6059.202 6059.205</p>    	POWER KITS SOLD SEPARATELY		
	<p>605XTMV</p> 	<p>Plug-In AC Power Kit PK00.PAC</p> 	<p>Hard-Wired AC Power Kit PK00.HAC</p> 	<p>Multi-AC Power Kit PK00.MAC</p> 

Roughing-in Dimensions

Fig. 1

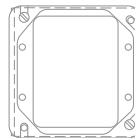


GENERAL DESCRIPTION

Electronic faucet with proximity operation. Vandal resistant solid brass construction single post mounting. Operates on DC (battery/power pack) or AC permanent power (plug-in/hardwire). In-line strainer for solenoid is integral. Single inlet 3/8 compression, built-in check valves, and flexible stainless steel 16-1/4" reach inlet hose for spout connection.

Note: All plumbing and electrical wiring must be installed in accordance with applicable codes, regulations and standards.

CAUTION: Use only American Standard supplied transformers and cable sets. Using non-AS supplied cables, or cutting, splicing or modifying any components will void the warranty.



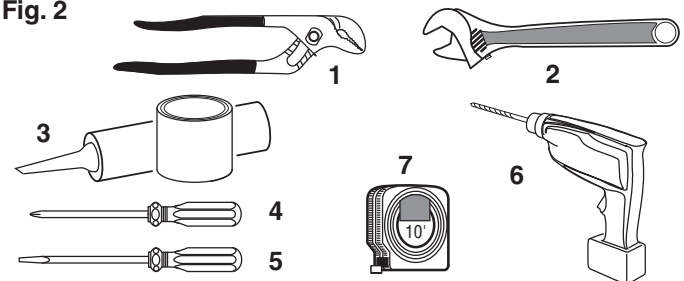
RECOMMENDED ELECTRICAL BOX OR EQUIVALENT BY OTHERS
4" (102mm) SQ. X 3-1/2" (89mm) DEEP ELECTRICAL BOX
Hubbel-RACO #256 OR EQUAL (BY OTHERS).

HARD-WIRED AND MULTI AC 10' MAX. CABLE LENGTH

RECOMMENDED TOOLS

1. Slip Joint Pliers
2. Adjustable Wrench
3. Plumbers' Putty or Caulking
4. Phillips Screwdriver
5. Flat Blade Screwdriver
6. Electric Drill & 1/4" Drill Bit
7. Tape Measure

Fig. 2



FAUCET INSTALLATION

1 INSTALL SPOUT ASSEMBLY; Fig. 1

CAUTION Turn off hot and cold water supplies before beginning.

1. Make sure PUTTY PLATE (1) is installed on FAUCET BODY (2). Fig. 1a.
2. Connect the two 27" EXTENSION CABLES (3) to the Faucet Sensor Cables.
3. Insert 27" EXTENSION CABLES (3), FLEX HOSE (4) and STUDS (5) through holes of mounting surface. Fig. 1a.
4. From underside of mounting surface, install SPIN NUTS (6) onto MOUNTING STUDS (5). Fig. 1b.
5. Align FAUCET (2) and hand tighten SPIN NUTS (6) to secure faucet to mounting surface. Fig. 1b.

Fig. 1a

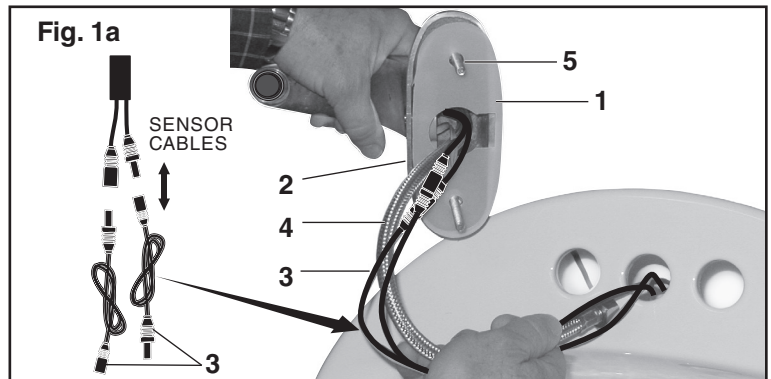
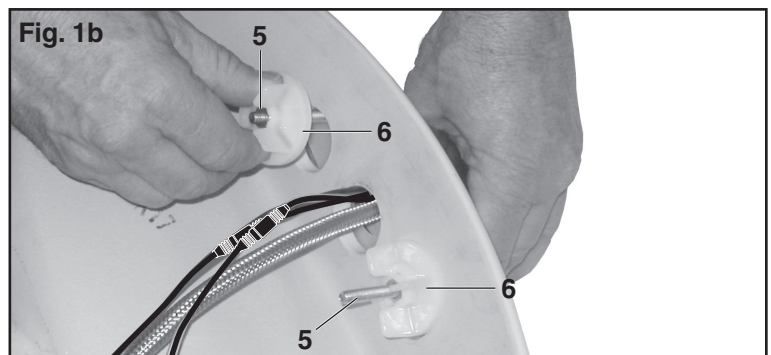


Fig. 1b



2 MOUNT CONTROL BOX; Fig. 2

1. Determine location of CONTROL BOX (1). It must be located within the 14" (356mm) by 21" (533mm) shaded area shown in Figure 2 in order for electrical connections from the spout assembly to be made.

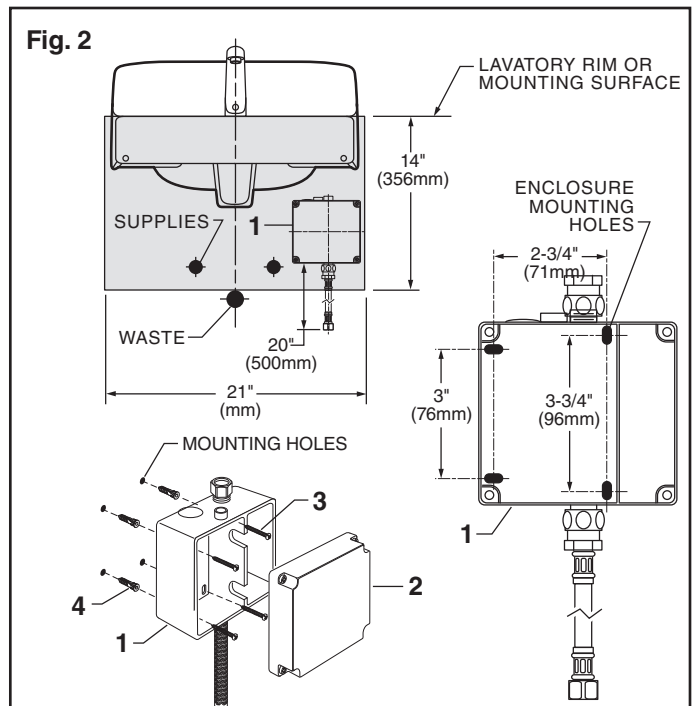
NOTE: CONTROL BOX SUPPLY HOSE IS 20". DISTANCE BETWEEN WALL SUPPLY AND ENCLOSURE (1) MUST BE TAKEN INTO CONSIDERATION.

2. Remove tape from CONTROL BOX COVER (2) and pull off COVER (2). Hold the CONTROL BOX (1) in desired location and mark the four mounting hole locations as shown.

NOTE: Find plastic bag containing 4 M5X16 screws to be used for securing the CONTROL BOX COVER (1) when installation is complete.

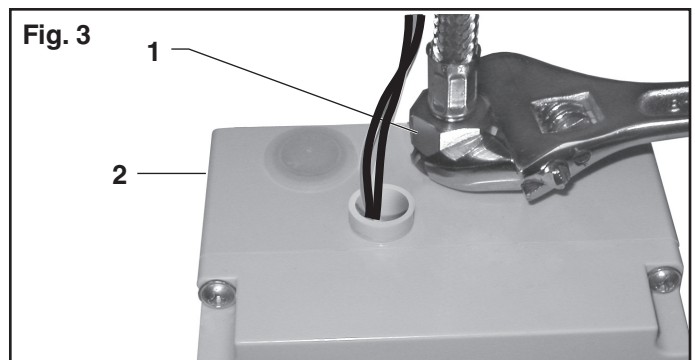
NOTE: For AC installation, make power supply connection before mounting CONTROL BOX (1) to wall.

3. It is recommended that the CONTROL BOX (1) be secured to a wall stud or cross brace within the wall using the SCREWS (3) supplied. If the CONTROL BOX (1) is to be installed on tile or plaster walls, the ANCHORS (4) and SCREWS (3) should be used.



3 CONNECT SPOUT HOSE TO CONTROL BOX; Fig. 3

1. Connect SUPPLY NUT (1) from spout hose to nipple on top of ENCLOSURE (2). Tighten with adjustable wrench to make a water tight connection. Fig. 3.



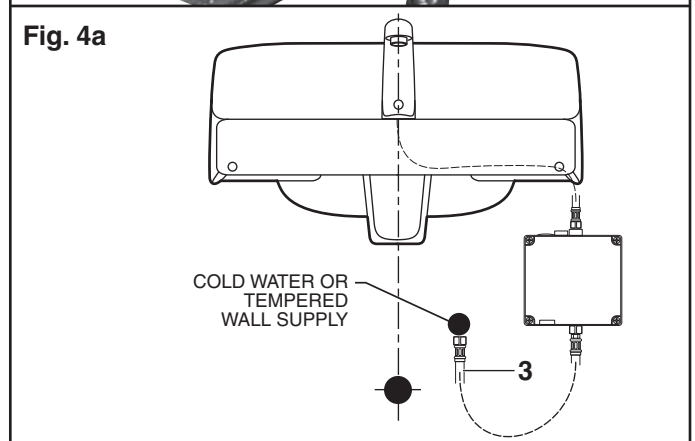
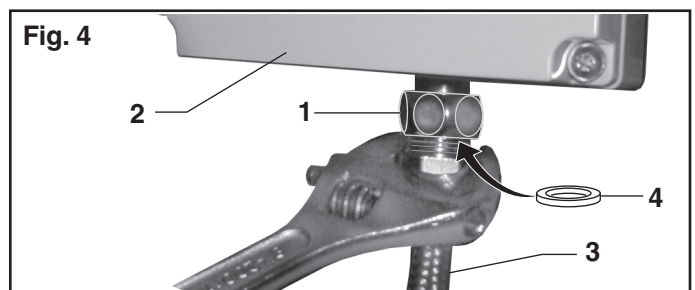
4 CONNECT WATER SUPPLY TO CONTROL BOX AND WALL SUPPLY; Fig. 4, 4a

NOTE: If using the optional Mixing Valve, see sheet #M968808 for installation instructions.

1. Insert FIBER WASHER (4) into SUPPLY NUT (1) on CONTROL BOX (2).
2. Connect FLEXIBLE SUPPLY HOSE (3) to SUPPLY NUT (1) on CONTROL BOX (2). Tighten to make a water tight connection. Use two wrenches to tighten if necessary. Fig. 4.
3. Connect FLEXIBLE SUPPLY HOSE (3) directly to wall supply. Connection on FLEXIBLE SUPPLY HOSE (3) is 3/8" compression. Use adjustable wrench to tighten connection. Do not over tighten. Fig. 4a.

Note: FLEXIBLE SUPPLY HOSE (3) measures 20" from the bottom of the CONTROL BOX (2) base. If additional supply length is required, installer must purchase parts separately.

Important: If FLEXIBLE SUPPLY HOSE (3) is too long, loop to avoid kinking.



ELECTRICAL INSTALLATION

Product	Page
Plug-In AC Power Kit (PK00.PAC)	6
Hard-Wired AC Power Kit (PK00.HAC)	6
Multi-AC Power Kit (PK00.MAC)	7

A DC VERSIONS ; Fig. 1

- PWRX
- STANDARD BATTERY

1. Remove CONTROL BOX COVER (1). Fig. 1.
2. Feed the 27" EXTENSION CABLES (2) through the top of CONTROL BOX (3). Fig. 1a.

FOR STANDARD BATTERY VERSION ONLY

3. Insert BATTERY (4) into BATTERY HOLDER (5), make sure the shape of the BATTERY (4) follows the shape of the BATTERY HOLDER (5) and terminal end is inserted first. Fig. 1b.

4. Insert the BATTERY CONNECTOR (5a) from the Standard Battery or PWRX Battery Pack through side GROMMET (6) as shown. Fig. 1c.
5. Connect SOLENOID CABLE (7) and BATTERY CONNECTOR (5a) to 27" EXTENSION CABLES (2). Place Standard Battery or PWRX Battery Pack into housing. Fig. 1d.
6. Reinstall CONTROL BOX COVER (1). Tighten cover screws firmly.

CAUTION: Use only American Standard supplied cable sets. Using non-AS supplied cables, or cutting, splicing or modifying any components will void the warranty.

Fig. 1

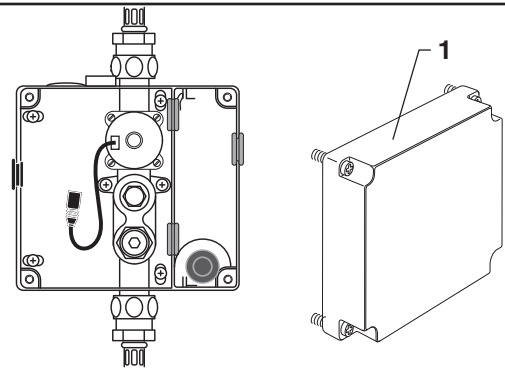


Fig. 1a

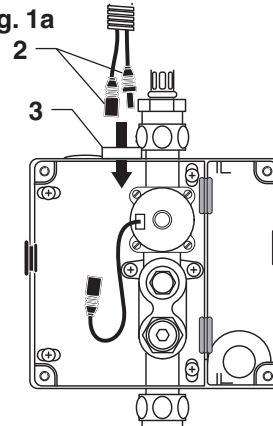


Fig. 1b

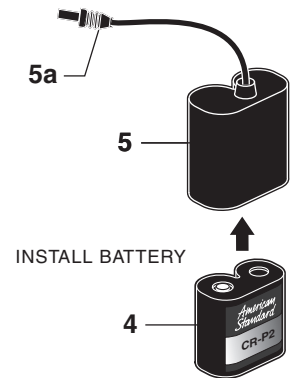


Fig. 1c

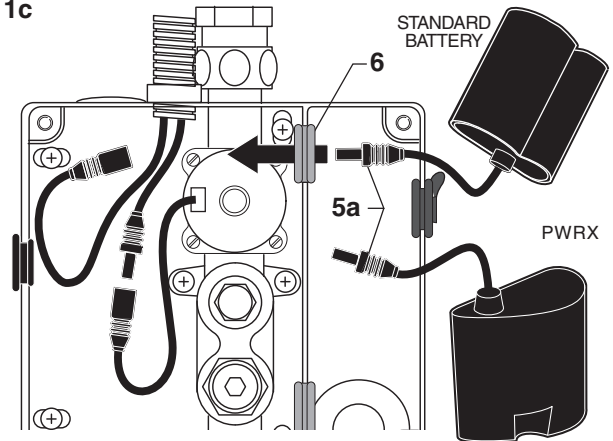
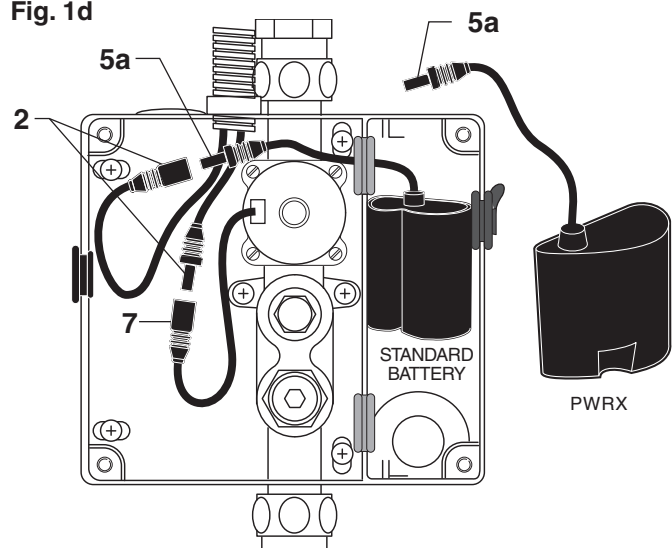


Fig. 1d



B AC VERSION; Fig. 2

- PLUG-IN
- HARDWARE

CAUTION Disconnect AC power supply before opening CONTROL BOX.

Note: For AC installation, make power supply connection before mounting CONTROL BOX (3) to wall.

1. Remove CONTROL BOX COVER (1). Feed the EXTENSION CABLES (2) from the Faucet through the top of CONTROL BOX (3). Install CONNECTOR LOCKING DEVICE (16). Fig. 2.

FOR AC PLUG-IN ONLY

- 2a. Insert POWER CORD (8) through POWER SUPPLY GROMMET (9) Fig. 2a.
- 3a. Insert POWER CORD (8) through side GROMMET (6) as shown. Connect it to the SINGLE AC ADAPTER (10). Fig. 2a.
- 4a. Connect 27" EXTENSION CABLES (2) to SOLENOID CABLE (7) and POWER CORD (8). Fig. 2a.
- 5a. Mount CONTROL BOX to wall. Reinstall CONTROL BOX COVER (1). Tighten cover screws firmly.
- 6a. Plug AC POWER SUPPLY into wall outlet.

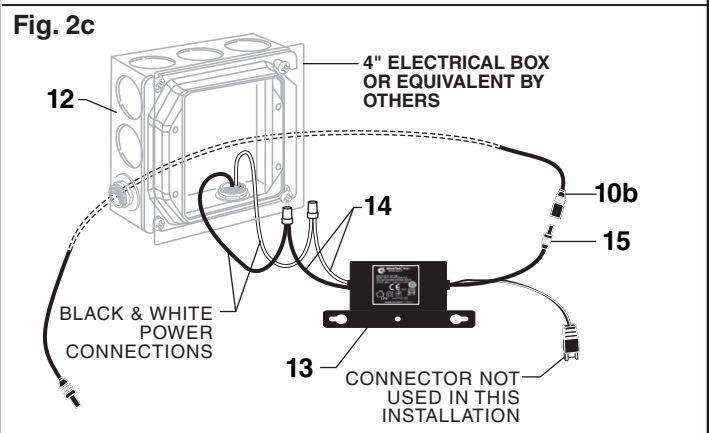
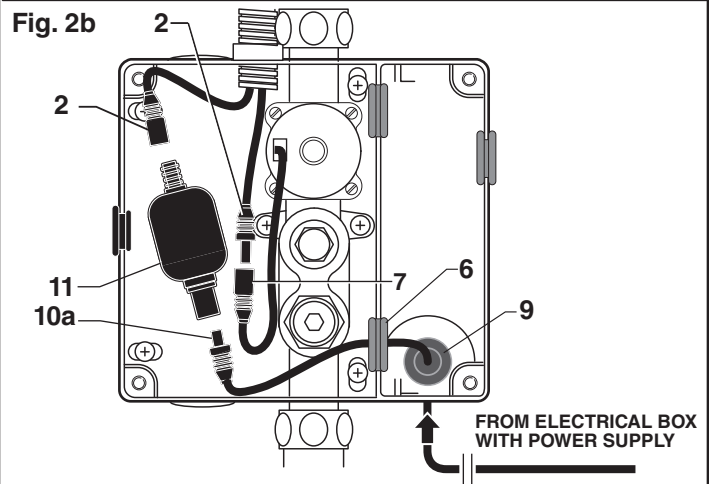
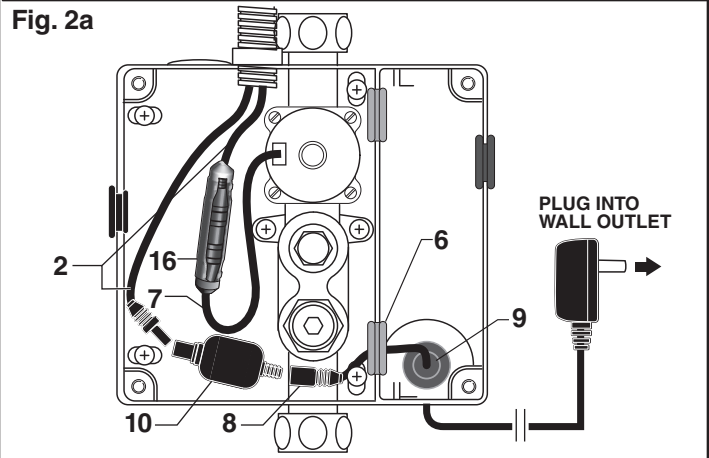
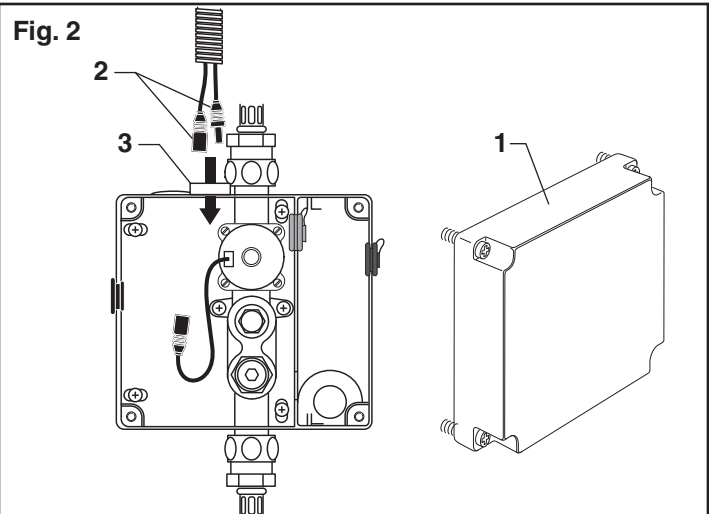
FOR AC HARDWIRE ONLY

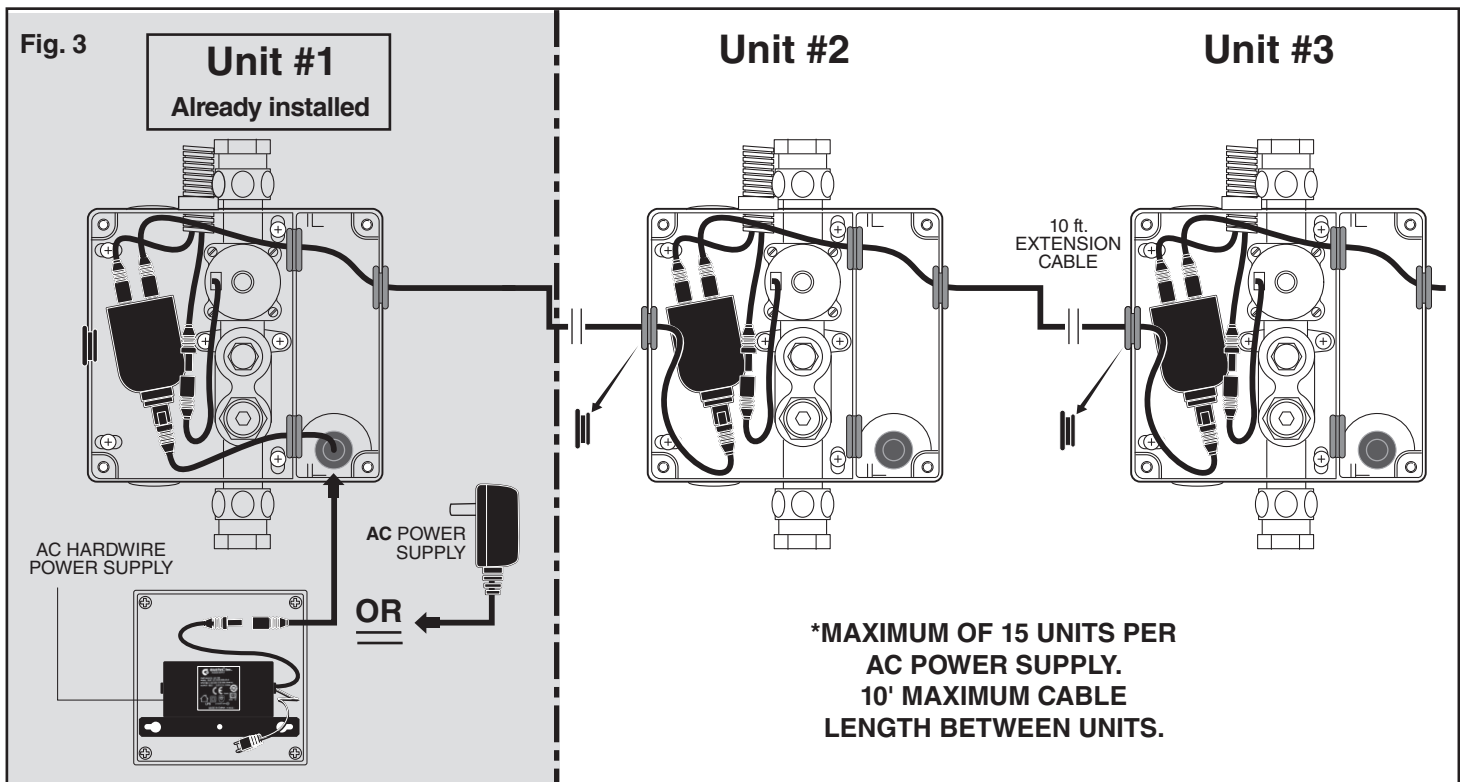
- 2b. Insert one end of the 10' EXTENSION (10a) through POWER SUPPLY GROMMET (9). Fig. 2b.
- 3b. Insert 10' EXTENSION (10a) through side GROMMET (6) as shown. Fig. 2b.
- 4b. Connect 10' EXTENSION (10a) to single terminal of SINGLE AC ADAPTER (11). Fig. 2b.
- 5b. Connect 27" EXTENSION CABLES (2) to SOLENOID CABLE (7) and to the available terminal of the SINGLE AC ADAPTER (11).
- 6b. Mount CONTROL BOX (3) to wall. Reinstall CONTROL BOX COVER (1). Tighten cover screws firmly.

Contractor to supply ELECTRICAL BOX (12) and power to POWER SUPPLY (13).

- 7b. Mount POWER SUPPLY (13) into ELECTRICAL BOX (12). Connect White and Black connections to POWER SUPPLY CONNECTIONS (14). Fig. 2c.
- 8b. Connect the 10' EXTENSION (10b) to the POWER SUPPLY CABLE (15). Fig. 2c.

CAUTION: Use only American Standard supplied cable sets. Using non-AS supplied cables, or cutting, splicing or modifying any components will void the warranty.



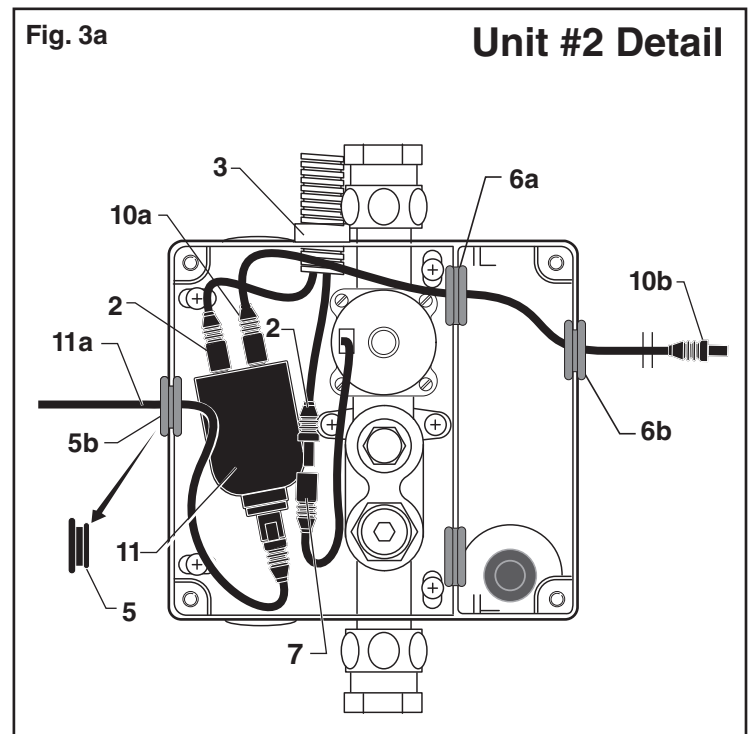


C MULTI-AC VERSION (DAISY-CHAIN); Fig. 3, 3a

Important: All control box covers must be removed before beginning to make daisy-chain connections.
Disconnect the first unit's Y-Adapter from power supply before making daisy-chain connections.

Note: For Unit #1 electrical instructions, refer to section B (page 5).
For subsequent Units, refer to instructions below...

1. Remove COVERS from all CONTROL BOX (3).
2. Insert previous unit's 10' EXTENSION (11a) through gray GROMMET (5b) and connect to single terminal of Y-ADAPTER (11).
3. Remove solid black plug grommet from left side of all CONTROL BOX (3), and replace with GRAY GROMMET (5b). (Supplied with each Faucet).
4. Feed 27" EXTENSION CABLES (2) through the top of CONTROL BOX (3). Connect one 27" EXTENSION CABLE (2) to the SOLENOID CABLE (7), and the other to either of the two available terminals of the Y-ADAPTER (11). Connect the current unit's 10' EXTENSION (10a) to available terminal of the Y-ADAPTER (11).
5. Feed the other end of the 10 ft. EXTENSION (10b) through the two GRAY GROMMETS (6a and 6b) and connect to the single terminal of the next unit's Y-ADAPTER (11). Place Y-ADAPTER (11) into CONTROL BOX (3).
6. Repeat Steps above for each additional Unit, for a Max. of 15 Units on one AC POWER SUPPLY.
7. Reinstall CONTROL BOX COVERS. Tighten cover screws firmly.



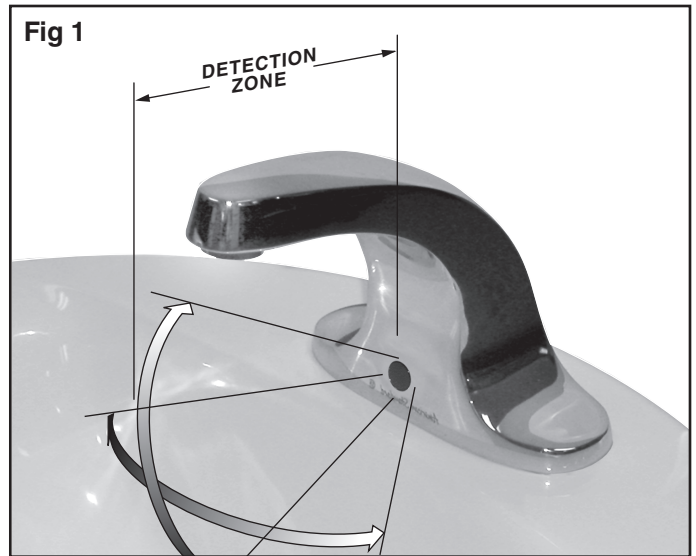
CAUTION: Use only American Standard supplied cable sets. Using non-AS supplied cables, or cutting, splicing or modifying any components will void the warranty.

MAINTENANCE

A HAND WASH SENSOR OPERATION; Fig. 1

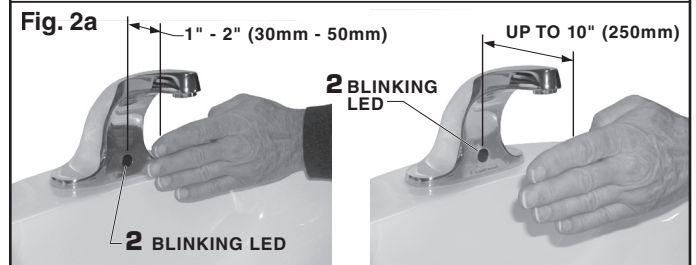
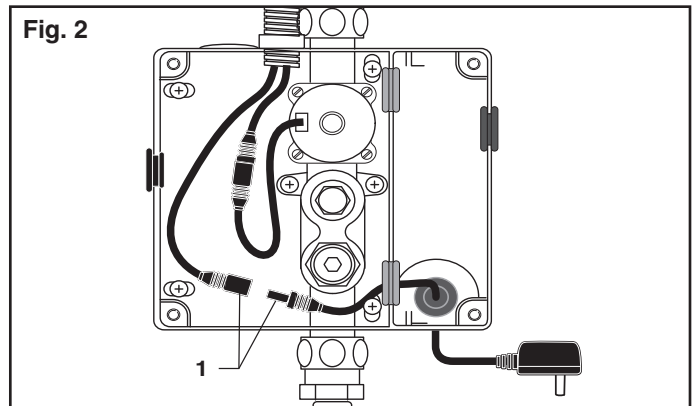
When the Sensor detects a user, the water immediately starts to flow. Water flow will stop 2 seconds after user is out of sensor range. The off delay allows the user to comfortably move his hands without the flow cycling on and off. As a precaution, a safety timer will turn off the water after the sensor has been blocked for 59 seconds. The water will stay off until the blockage is removed from the detection zone.

Detection Zone: 2" - 10" (50mm - 250mm)
Default: Set at Factory 6" (150mm)



B CHANGE SENSOR RANGE; (Factory set at 6") Fig. 2, 2a

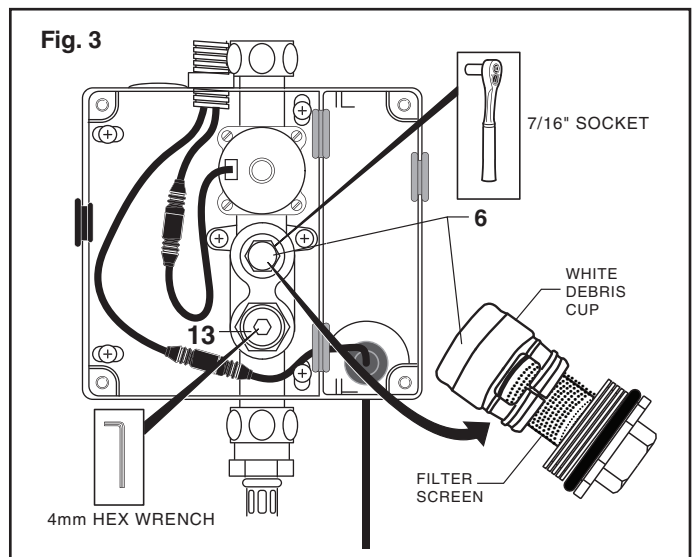
1. Remove CONTROL BOX. Disconnect Power Supply (1), then reconnect. Fig. 2.
2. While the SENSOR CONTROL LED (2) is blinking slowly, place your hand 1 - 2 in. (30-50mm) in front of the sensor. Fig. 2a.
3. When the LED stops blinking and stays "ON", move your hand to the desired position and hold in place until the LED begins to blink again. Fig. 2a.
4. Once the SENSOR CONTROL LED (2) begins to blink again, remove your hand from the detection zone. When the flashing stops, the detection distance is set.
5. Reinstall CONTROL BOX COVERS (2). Tighten cover screws firmly.



C CLEAN FILTER ASSEMBLY; Fig. 3

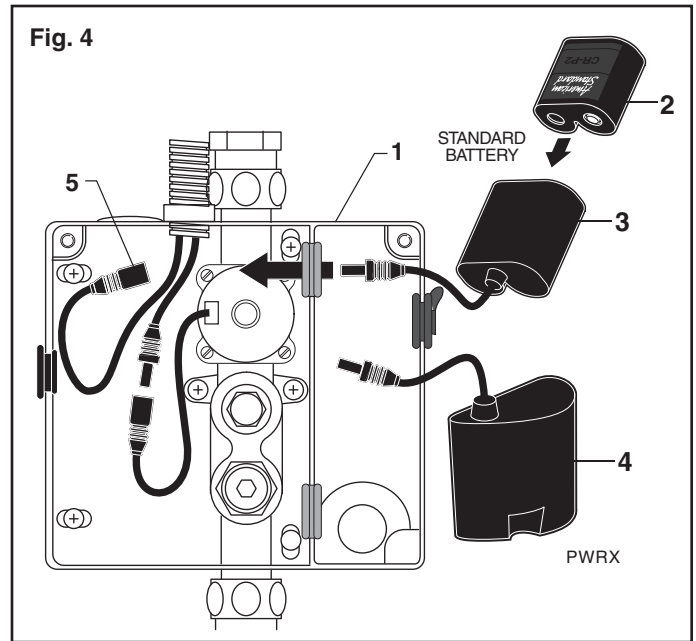
CAUTION Before opening CONTROL BOX disconnect AC power supply.

1. Remove CONTROL BOX COVER.
 2. Close SUPPLY STOP (13) with 4mm Hex wrench.
Note: Activate sensor to keep water flowing out of faucet while shutting off.
 3. Unthread FILTER ASSEMBLY (6) using a 7/16" socket.
 4. Pull out the FILTER ASSEMBLY (6), remove and clean white debris cup and filter screen.
 5. Install the FILTER ASSEMBLY (6) back in its place and tighten with a 7/16" socket.
- Caution: Do not over tighten.**
6. Open SUPPLY STOP (13) with 4mm Hex wrench.
 7. Reinstall CONTROL BOX COVER. Tighten cover screws firmly.



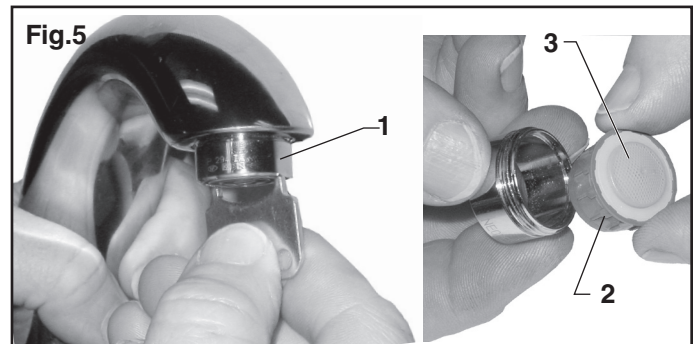
D **INSTALL / REPLACE THE BATTERY or PWRX; Fig. 4**

1. Remove COVER from CONTROL BOX (1).
2. Disconnect BATTERY HOLDER (3) from 27" EXTENSION CABLE (5).
3. Remove old BATTERY from Battery Holder (3). Install new BATTERY (2) making sure the terminal side is inserted first and shape of the battery follows the shape of the BATTERY HOLDER (3).
4. To replace PWRX BATTERY PACK (4), unplug and replace with new Power Pack.
5. Reconnect BATTERY HOLDER (3) to 27" EXTENSION CABLE (5).
6. Reinstall CONTROL BOX COVER. Tighten cover screws firmly.



E **CLEAN AND REMOVE THE AERATOR; Fig. 5**

1. Remove AERATOR HOUSING (1) with KEY supplied with faucet.
2. Remove AERATOR (2) from HOUSING (1).
3. Clean the AERATOR SCREENS (3).
4. Clean with water. Reassemble and install into spout end. Make sure black seal washer is in place..

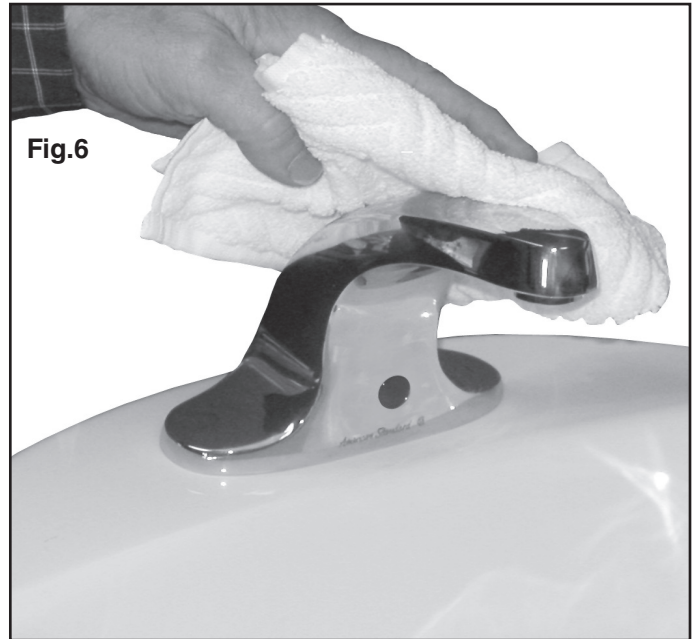


F GENERAL CLEANING; Fig. 5

1. For general cleaning use a damp, soft cloth to clean the spout and the sensor.
2. For cleaning dirt use a soft cloth with diluted dish washing detergent. Wipe the area using a wet cloth and dry using a soft cloth.

CAUTION Do not scratch the sensor when cleaning. Avoid using any abrasives or harsh detergents or chemicals.

Avoid using anything that may scratch the spout surface. Never use polishing power, detergent or a nylon scrub brush. They will damage the surface of the spout or Sensor.



FAQ'S

Q: How will I know if the battery needs to be replaced?

A: Valve will not open and sensor will continuously blink 2 times interrupted by a pause, for up to 7 days.

Q: Why has the flow rate of the faucet reduced significantly?

A: The filter assembly, flow regulator or areator/spray may be clogged. Check and clean. Refer to Start-up/Maintenance, sections C, D and E.

Q: Why doesn't water flow out of faucet when I'm within the sensor detection zone?

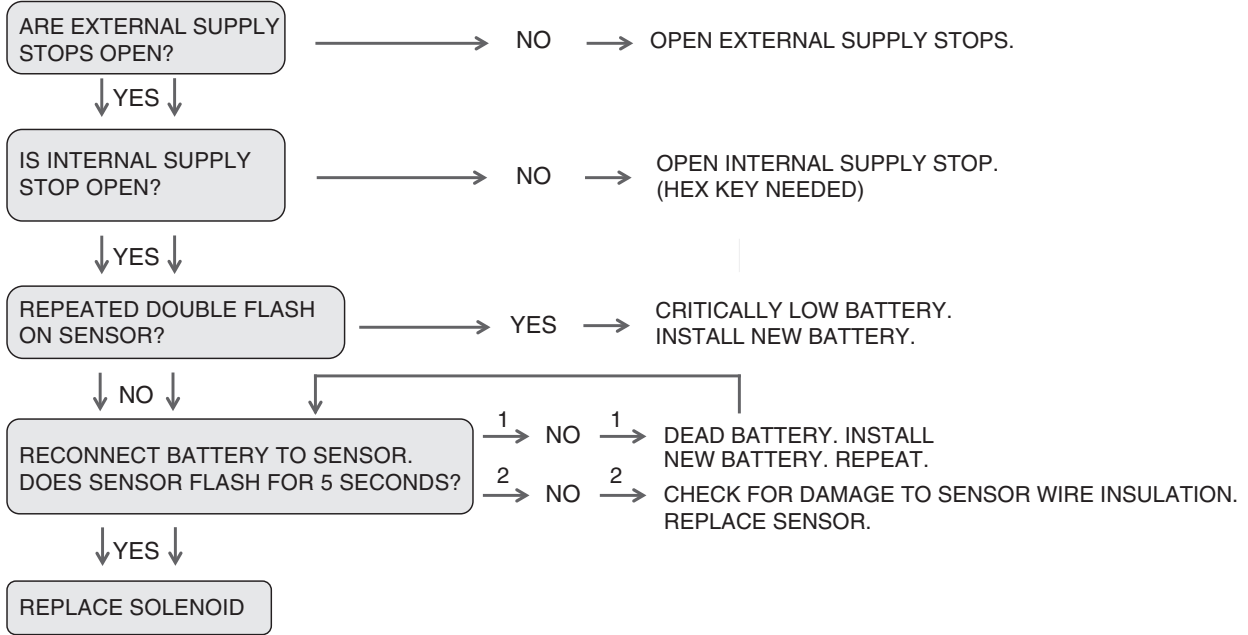
A: Battery may need replacement. If sensor continuously blinks 2 times interrupted by pause, replace battery or call (844) CRT-TEAM / (844) 278-8326.Z

Q: What is the normal operating pressure range?

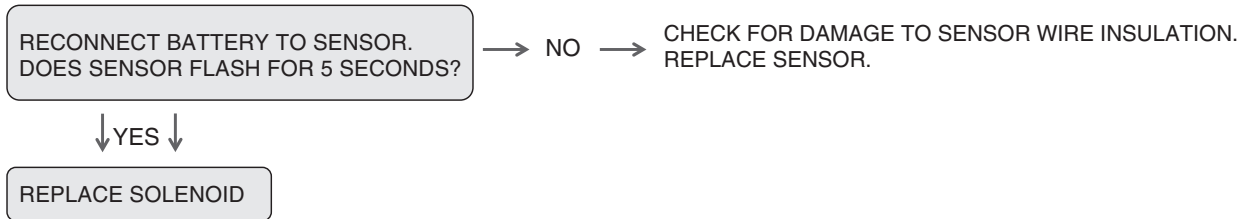
A: Faucet will operate with supply pressures ranging from 20-80 psi.

TROUBLESHOOTING FLOW CHARTS

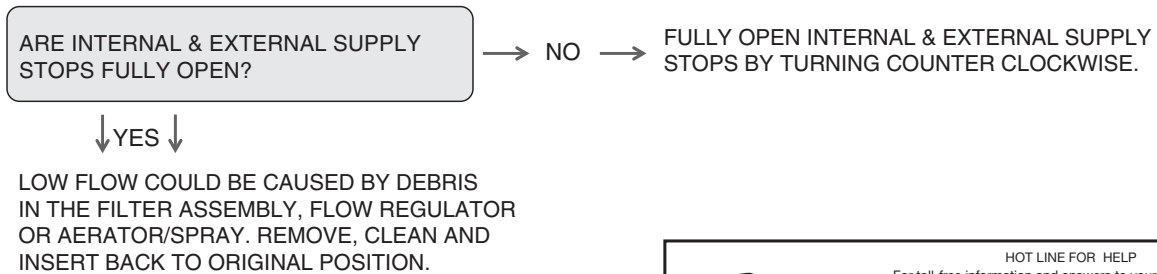
UNIT DOES NOT FUNCTION



WATER IS CONTINUOUSLY RUNNING



LOW FLOW ISSUES





HOT LINE FOR HELP
 For toll-free information and answers to your questions, call:
 (844) CRT-TEAM / (844) 278-8326
 Mon. - Fri. 8:00 a.m. to 8:00 p.m. EST Saturday 10:00 a.m. to 4:00 p.m. EST
 IN MEXICO 01-800-839-1200
 IN CANADA 1-800-387-0369 (TORONTO 1-905-306-1093)
 Weekdays 8:00 a.m. to 7:00 p.m. EST

Product names listed herein are trademarks of AS America, Inc. ©2016

**To learn more about American Standard Selectronic® Products visit our website at:
www.americanstandard-us.com or e-mail us at: CRTTEAM@americanstandard.com**

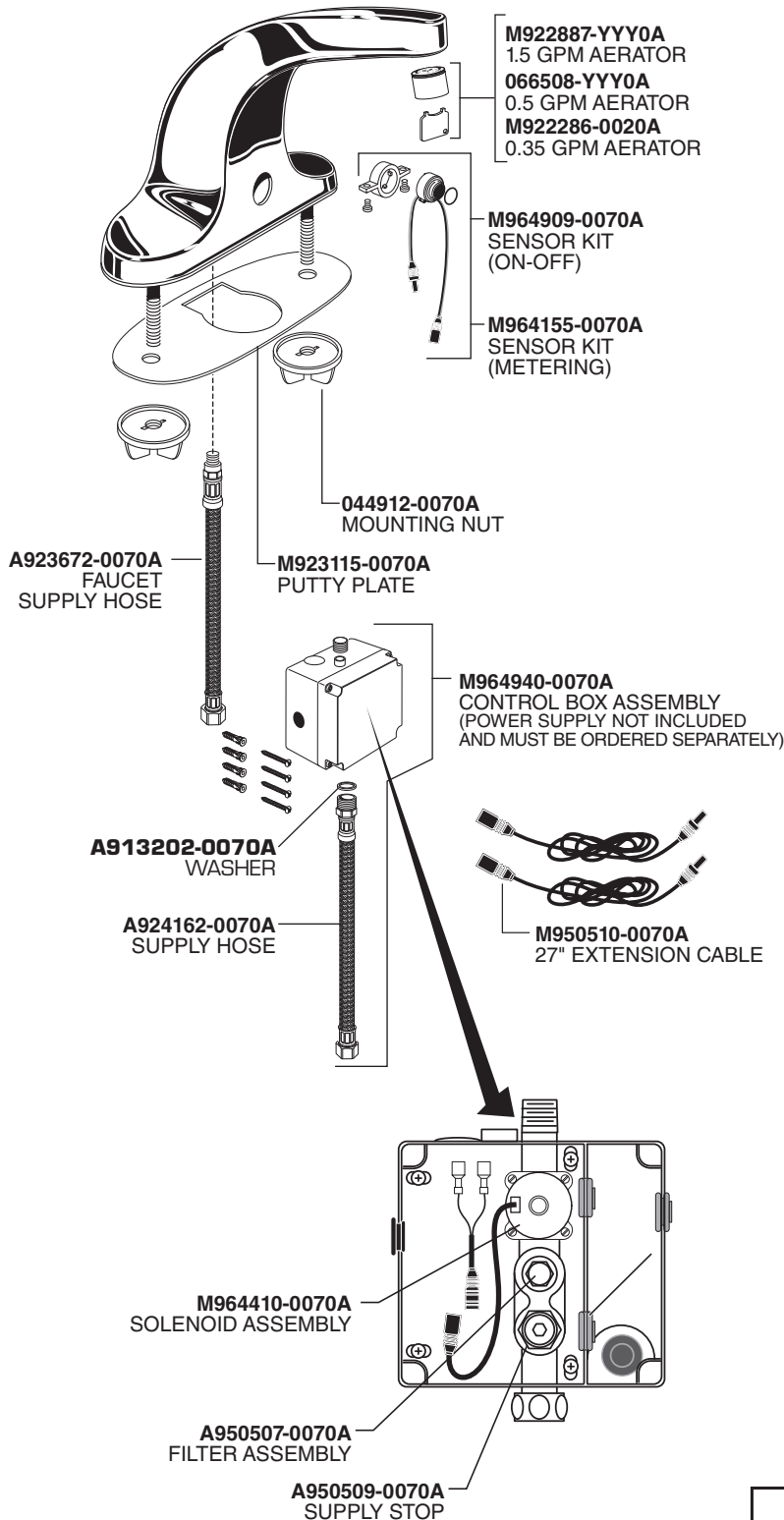
American Standard

SELECTRONIC®

Innsbrook Lavatory Proximity Faucet

MODEL NUMBERS

605X.202
605X.204
605X.205



Replace the "YYY" with appropriate finish code

CHROME 002

PWRX Battery Pack 6053 – Series

M950361-0070A
PWRX BATTERY PACK

CR-P2 Lithium Battery 6055 – Series

A923654-0070A
BATTERY 6V CR-P2

M950514-0070A
BATTERY HOLDER

Plug-In AC Power Kit PK00.PAC

M950338-0070A
POWER SUPPLY

M950360-0070A
CONNECTOR LOCKING DEVICE

M950399-0070A
SINGLE AC ADAPTER

Hard-Wired AC Power Kit PK00.HAC

M950511-0070A
10' EXTENSION

M950360-0070A
CONNECTOR LOCKING DEVICE

M950520-0070A
POWER SUPPLY

M950399-0070A
SINGLE AC ADAPTER

Multi-AC Power Kit PK00.MAC

M950511-0070A
10' EXTENSION

M950512-0070A
MULTI-AC ADAPTER

PART OF **LIXIL**



HOT LINE FOR HELP
For toll-free information and answers to your questions, call:

(844) CRT-TEAM / (844) 278-8326
 Mon. - Fri. 8:00 a.m. to 8:00 p.m. EST Saturday 10:00 a.m. to 4:00 p.m. EST
 IN MEXICO 01-800-839-1200
 IN CANADA 1-800-387-0369 (TORONTO 1-905-306-1093)
 Weekdays 8:00 a.m. to 7:00 p.m. EST

Product names listed herein are trademarks of AS America, Inc. ©2016

To learn more about American Standard Selectronic® Products visit our website at:
www.americanstandard-us.com or e-mail us at: CRTEAM@americanstandard.com