

# Installation Instructions

## SELECTRONIC® Proximity Faucets



Cast Spout and  
Gooseneck Spout



Certified to comply with ASME A112.18.1  
© 2016 American Standard

### MODEL NUMBERS

605X.102	605X.104	605X.105
605X.163	605X.164	605X.165

**CAUTION:** Use only American Standard supplied cable sets. Using non-AS supplied cables, or cutting, splicing or modifying any components will void the warranty.

Product No.'s & Options	1
Specifications	2
Faucet Installation	2-3
Electrical Installation	4-6
Start-up / Maintenance	7-8
FAQ's / Troubleshooting	9-10
Parts	11

*American Standard*

**NOTE TO INSTALLER:** Please give this manual to the customer after installation.

To learn more about American Standard Selectronic® Products visit our website at: [www.americanstandard-us.com](http://www.americanstandard-us.com)  
or e-mail us at: [CRTTEAM@americanstandard.com](mailto:CRTTEAM@americanstandard.com)

For Parts, Service, Warranty or other Assistance,  
please call (844) CRT-TEAM / (844) 278-8326 (In Canada: 1-800-387-0369)  
(In Toronto Area only: 1-905-306-1093)



Thank you for selecting American-Standard...the benchmark of fine quality for over 100 years. To ensure that your installation proceeds smoothly--please read these instructions carefully before you begin.

# UNPACKING

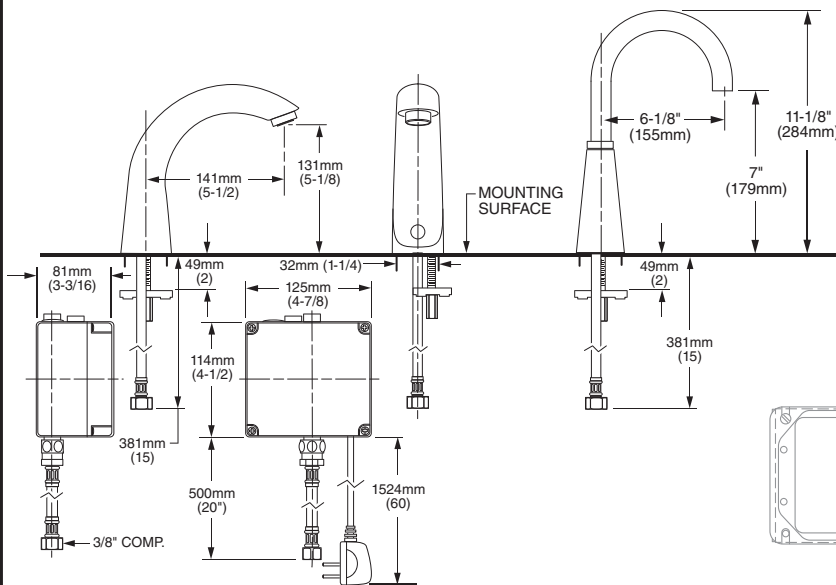
All American Standard Faucets Are Water Tested At Our Factory. Some Residual Water May Remain In The Faucet During Shipping.

The illustration below shows the fitting and all loose items after they have been removed from the carton. Some items may be packaged partially assembled to other items.

- |  |  |
|--|--|
| <ul style="list-style-type: none"> <li>1. Installation Instructions</li> <li>2. Cast Spout Assembly</li> <li>2a. Gooseneck Spout Assembly</li> <li>3. Mounting Kit</li> <li>4. Control Box</li> <li>5. Supply Hose</li> <li>6a. DC Long Life Power Pack</li> <li>6b. DC Standard Battery</li> <li>6c. AC Plug-In Power Supply</li> </ul> | <ul style="list-style-type: none"> <li>6d. AC Hard-Wire Power Transformer</li> <li>7. Y-Adapter</li> <li>8. 27" Extension Cable</li> <li>9. 10 ft. Extension</li> <li>10. 4" Deck plate (optional, must be ordered separately)</li> <li>11. 8" Deck plate (optional, must be ordered separately)</li> <li>12. Mixing Valve (optional, must be ordered separately)</li> <li>13. Control Box Cover Screws</li> </ul> |
|--|--|

<p><b>How to order the Selectronic Product</b></p> <p>1. Choose Power Supply</p> <p>2. Choose Desired Spout</p>	<p><b>Base Product</b></p> <ul style="list-style-type: none"> <li>• Single Hole Sink</li> <li>• Single Inlet</li> </ul>	<p><b>Deck Plate (optional)</b></p> <ul style="list-style-type: none"> <li>• 1 and 3 Hole Sinks</li> <li>• Single Inlet</li> </ul>	<p><b>Mixing Valve (optional)</b></p> <ul style="list-style-type: none"> <li>• 1 and 3 Hole Sinks</li> <li>• Hot and Cold Inlets</li> </ul>	<p><b>Base Product</b></p>				
				<p><b>DC Long Life Power Pack 6053.Series</b></p>	<p><b>DC Standard Battery 6055.Series</b></p>	<p><b>AC Plug-in 6056.Series</b></p>	<p><b>AC Hardwire 6059.Series</b></p>	<p><b>AC Multi 6057.Series</b></p>
				<p><b>Deck Plate</b></p> <p>605P400</p> <p>605P800</p>	<p><b>Mixing Valve</b></p> <p>605XTMV</p>			

**Fig. 1**  
**Roughing-in Dimensions**

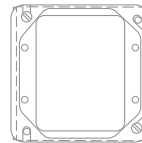


**GENERAL DESCRIPTION:**

Electronic faucet with proximity operation. Vandal resistant solid brass construction single post mounting. Operates on DC (battery/power pack) or AC permanent power (plug-in/hardwire). In-line strainer for solenoid is integral. Single inlet 3/8 compression, built-in check valves, and flexible stainless steel 16-1/4" reach inlet hose for spout connection.

**Note: All plumbing and electrical wiring must be installed in accordance with applicable codes, regulations and standards.**

**CAUTION:** Use only American Standard supplied cable sets. Using non-AS supplied cables, or cutting, splicing or modifying any components will void the warranty.

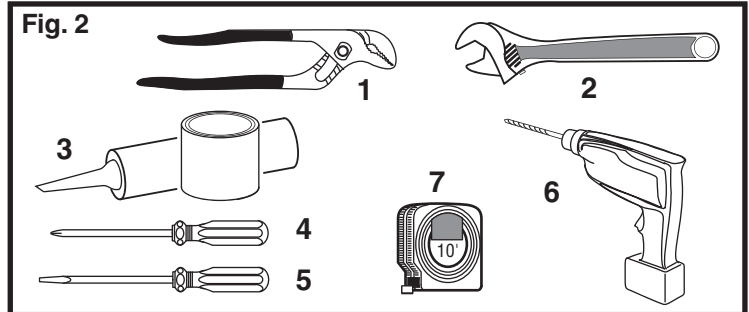


RECOMMENDED ELECTRICAL BOX OR EQUIVALENT BY OTHERS  
4" (102mm) SQ. X 3-1/2" (89mm) DEEP ELECTRICAL BOX  
Hubbel-RACO #256 OR EQUAL (BY OTHERS).

**HARD-WIRED AND MULTI AC 10' MAX. CABLE LENGTH**

**TOOLS REQUIRED; Fig. 2**

- 1 Slip Joint Pliers
- 2 Adjustable Wrench
- 3 Plumbers' Putty or Caulking
- 4 Phillips Screwdriver
- 5 Flat Blade Screwdriver
- 6 Electric Drill & 1/4" Drill Bit
- 7 Tape Measure

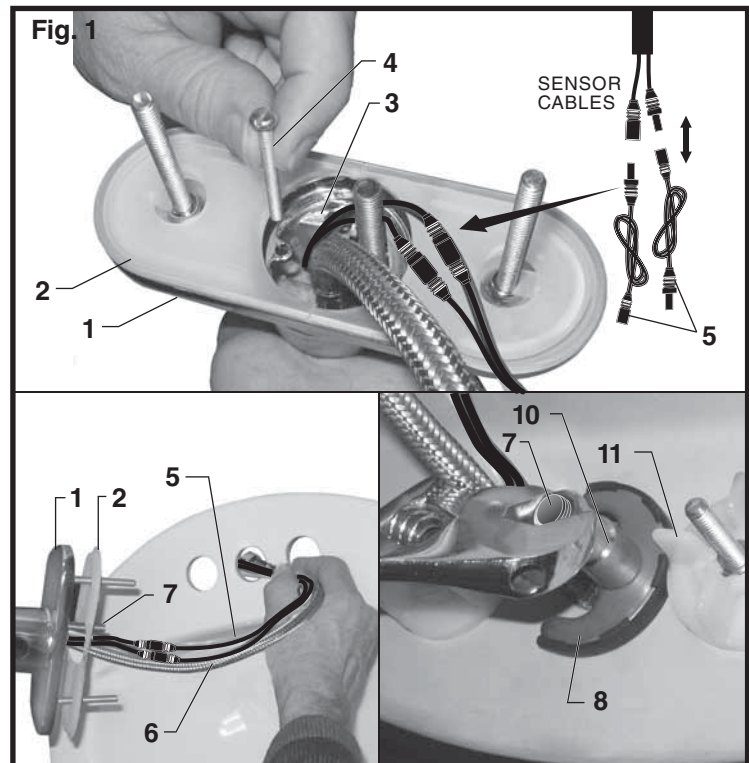


**INSTALLATION**

**1 INSTALL SPOUT ASSEMBLY; Fig. 1**

**CAUTION** Turn off hot and cold water supplies before beginning

1. (Optional) Assemble DECK PLATE (1) and PUTTY PLATE (2) to FAUCET BODY (3) with SCREW (4).
2. Connect the two 27" EXTENSION CABLES (5) to the Faucet Sensor Cables.
3. Insert 27" EXTENSION CABLES (5) , FLEX HOSE (6) and SPOUT SHANK (7) through center hole of mounting surface.
4. Assemble "C" WASHER (8) and LOCKNUT (10) onto threads of SPOUT SHANK (7) from underside of mounting surface.
5. Align FAUCET (3) and tighten LOCKNUT (10). If using DECK PLATE (1) hand tighten DECK PLATE SPIN NUTS (11) to secure FAUCET (3) to mounting surface. **Fig. 1b.**



## 2 MOUNT CONTROL BOX; Fig. 2

1. Determine location of CONTROL BOX (1). It must be located with-in the 14" (356mm) by 21" (533mm) shaded area shown in **Figure 2** in order for electrical connections from the spout assembly to be made.

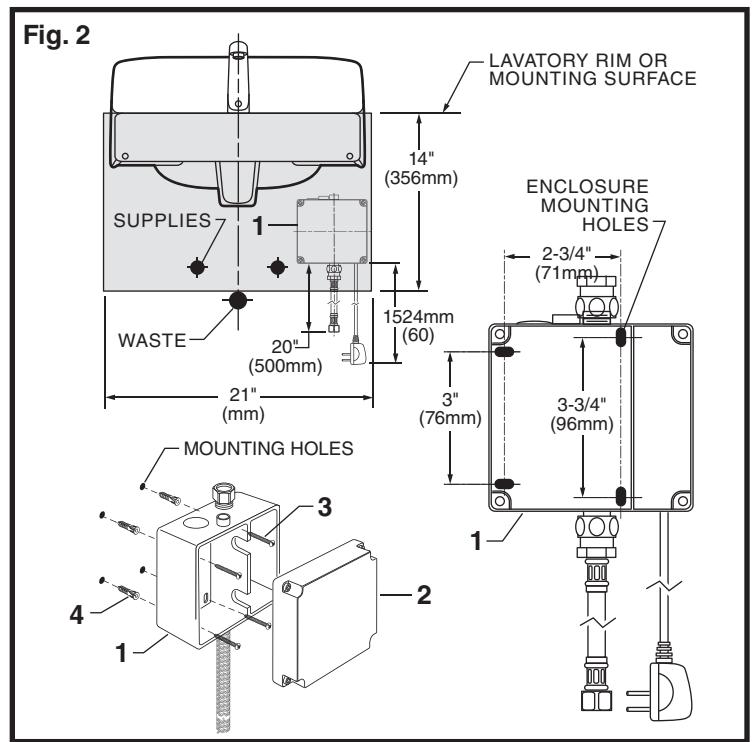
**NOTE: CONTROL BOX SUPPLY HOSE is 20". Distance between wall supply and CONTROL BOX (1) must be taken into consideration.**

2. Remove tape from CONTROL BOX COVER (2) and pull off COVER (2). Hold the CONTROL BOX (1) in desired location and mark the four mounting hole locations as shown.

**NOTE: Find plastic bag containing 4 M5X16 screws to be used for securing the CONTROL BOX COVER (1) when installation is complete.**

**NOTE: For AC installation, make power supply connection before mounting CONTROL BOX (1) to wall.**

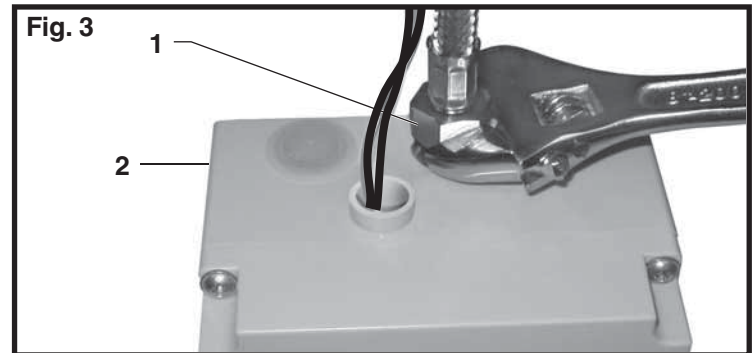
3. It is recommended that the CONTROL BOX (1) be secured to a wall stud or cross brace within the wall using the SCREWS (3) supplied. If the CONTROL BOX (1) is to be installed on tile or plaster walls, the ANCHORS (4) and SCREWS (3) should be used.



**NOTE: If using Mixing Valve (optional) See Sheet #M968808 for installation instructions.**

## 3 CONNECT SPOUT HOSE TO CONTROL BOX; Fig. 3

1. Connect SUPPLY NUT (1) from spout hose to nipple on top of CONTROL BOX (2). Tighten with adjustable wrench to make a water tight connection. **Fig. 3.**



## 4 CONNECT WATER SUPPLY TO CONTROL BOX AND WALL SUPPLY; Fig. 4, 4a

**NOTE; If using the optional Mixing Valve See Sheet #M968808 for installation instructions.**

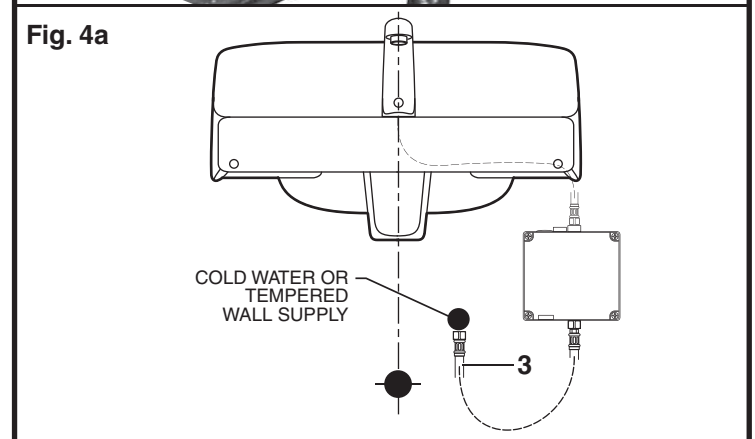
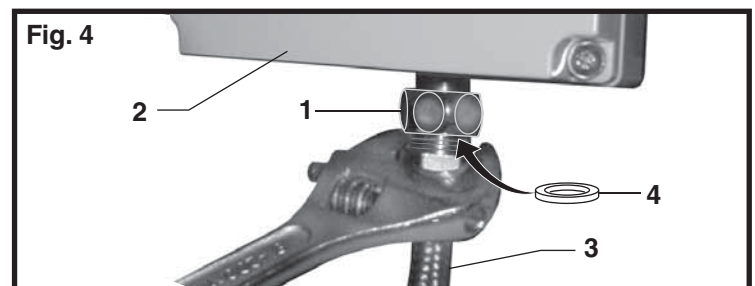
1. Insert FIBER WASHER (4) into SUPPLY NUT (1) on CONTROL BOX (2).

2. Connect FLEXIBLE SUPPLY HOSE (3) to SUPPLY NUT (1) on CONTROL BOX (2). Tighten to make a water tight connection. Use two wrenches to tighten if necessary. **Fig. 4.**

3. Connect FLEXIBLE SUPPLY HOSE (3) directly to wall supply. Connection on FLEXIBLE SUPPLY HOSE (3) is 3/8" compression. Use adjustable wrench to tighten connection. Do not over tighten. **Fig. 4a.**

**Note:** FLEXIBLE SUPPLY HOSE (3) measures 20" from the bottom of the CONTROL BOX (2) base. If additional supply length is required, installer must purchase parts separately.

**Important:** If FLEXIBLE SUPPLY HOSE (3) is too long, loop to avoid kinking.



# ELECTRICAL INSTALLATION

Product	Page
DC Long Life Power Pack (6053.193)	4
DC Standard Battery (6055.193)	4
AC Plug-in (6056.193)	5
AC Hardwire (6059.193)	5
AC Multi Hook-up (6057.193)	6

## **A** DC VERSIONS (LONG LIFE POWER PACK & STANDARD BATTERY); Fig. 1

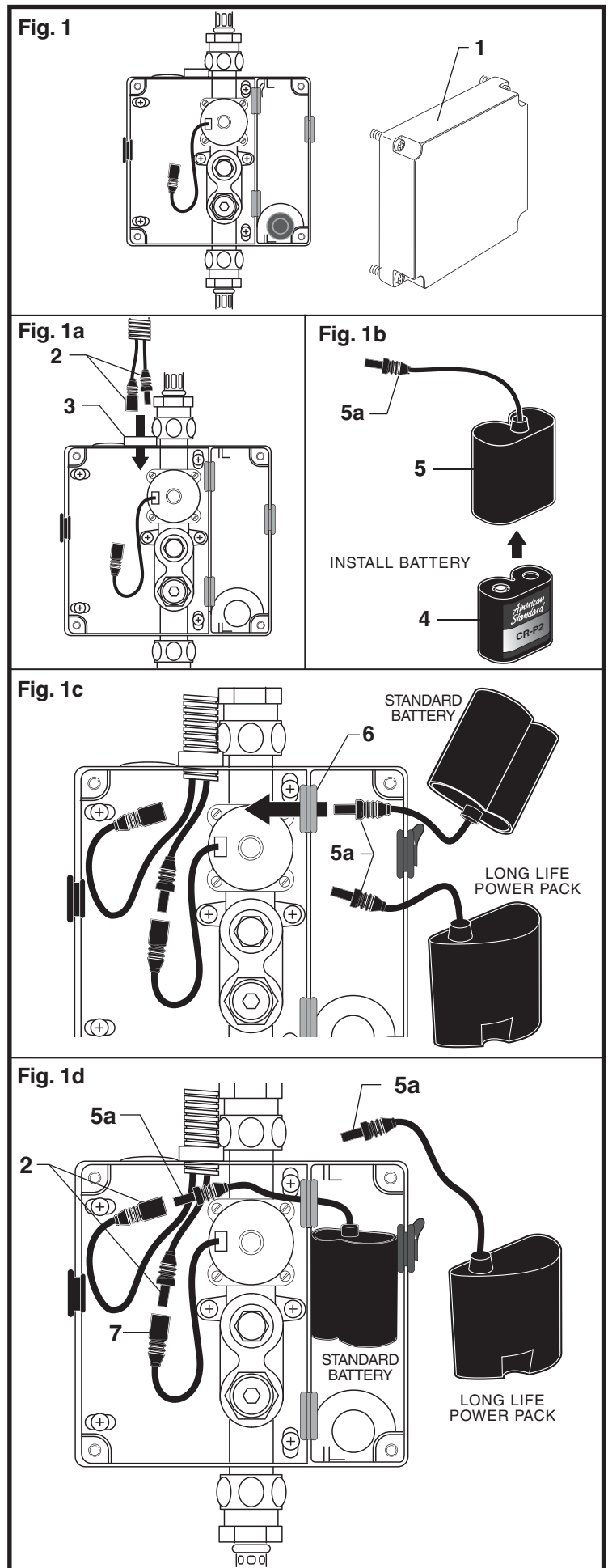
1. Remove CONTROL BOX COVER (1). Fig. 1.
2. Feed the 27" EXTENSION CABLES (2) through the top of CONTROL BOX (3). Fig. 1a.

### FOR STANDARD BATTERY VERSION ONLY

3. Insert BATTERY (4) into BATTERY HOLDER (5), make sure the shape of the BATTERY (4) follows the shape of the BATTERY HOLDER (5) and terminal end is inserted first. Fig. 1b.

4. Insert the BATTERY CONNECTOR (5a) from the Standard Battery or Long Life Power Pack through side GROMMET (6) as shown. Fig. 1c.
5. Connect SOLENOID CABLE (7) and BATTERY CONNECTOR (5a) to 27" EXTENSION CABLES (2). Place Standard Battery or Long Life Power Pack into housing. Fig. 1d.
6. Replace CONTROL BOX COVER (1). Tighten cover screws firmly.

**CAUTION:** Use only American Standard supplied cable sets. Using non-AS supplied cables, or cutting, splicing or modifying any components will void the warranty.





## B AC VERSIONS (HARDWIRE / PLUG-IN); Fig. 2

**CAUTION** Disconnect AC power supply before opening CONTROL BOX.

**NOTE:** For AC installation, make power supply connection before mounting CONTROL BOX (3) to wall.

1. Remove CONTROL BOX COVER (1). Feed the EXTENSION CABLES (2) from the Faucet through the top of ENCLOSURE (3). Fig. 2.

### FOR PLUG-IN HOOKUP ONLY

- 2a. Insert POWER CORD (8) through POWER SUPPLY GROMMET (9) Fig. 2a.
- 3a. Insert POWER CORD (8) through side GROMMET (6) as shown. Fig. 2a.
- 4a. Connect 27" EXTENSION CABLES (2) to SOLENOID CABLE (7) and POWER CORD (8). Fig. 2a.
- 5a. Mount CONTROL BOX to wall. Replace CONTROL BOX COVER (1). Tighten cover screws firmly.
- 6a. Plug AC POWER SUPPLY into wall outlet.

### FOR HARDWIRE HOOK-UP ONLY;

- 2b. Insert one end of the 10' EXTENSION (10a) through POWER SUPPLY GROMMET (9). Fig. 2b.
- 3b. Insert 10' EXTENSION (10a) through side GROMMET (6) as shown. Fig. 2b.
- 4b. Connect 10' EXTENSION (10a) to single terminal of Y-ADAPTER (11). Fig. 2b.
- 5b. Connect 27" EXTENSION CABLES (2) to SOLENOID CABLE (7) and to either of the two terminals at the one end of the Y-ADAPTER (11).
- 6b. Mount CONTROL BOX (3) to wall. Replace CONTROL BOX COVER (1). Tighten cover screws firmly.

**Contractor to supply ELECTRICAL BOX (12) and power to POWER SUPPLY (13).**

- 7b. Mount POWER SUPPLY (13) into ELECTRICAL BOX (12). Connect White and Black connections to POWER SUPPLY CONNECTIONS (14). Fig. 2c.
- 8b. Connect the 10' EXTENSION (10b) to the POWER SUPPLY CABLE (15). Fig. 2c.

**CAUTION:** Use only American Standard supplied cable sets. Using non-AS supplied cables, or cutting, splicing or modifying any components will void the warranty.

Fig. 2

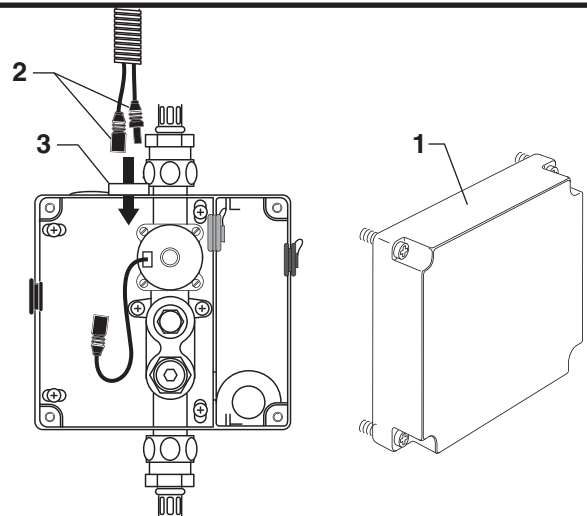


Fig. 2a

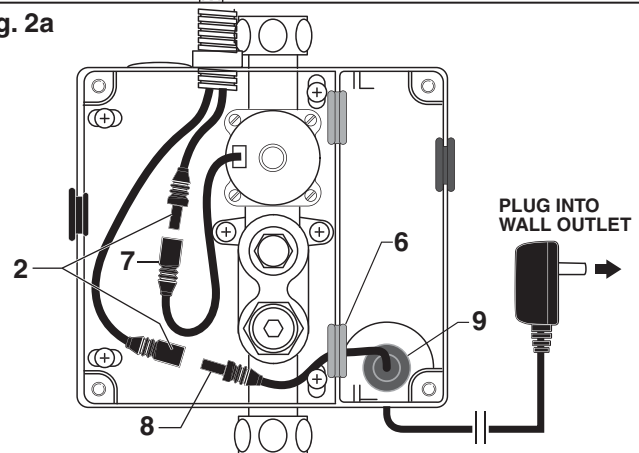


Fig. 2b

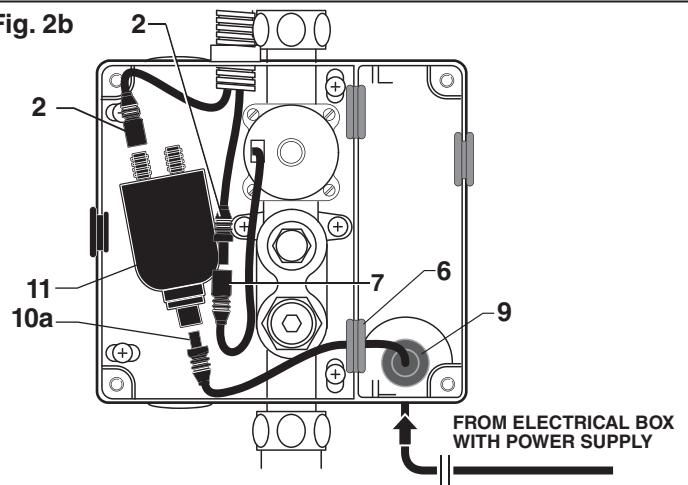
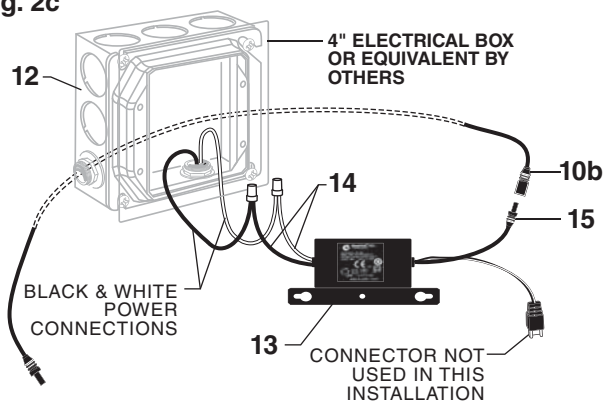
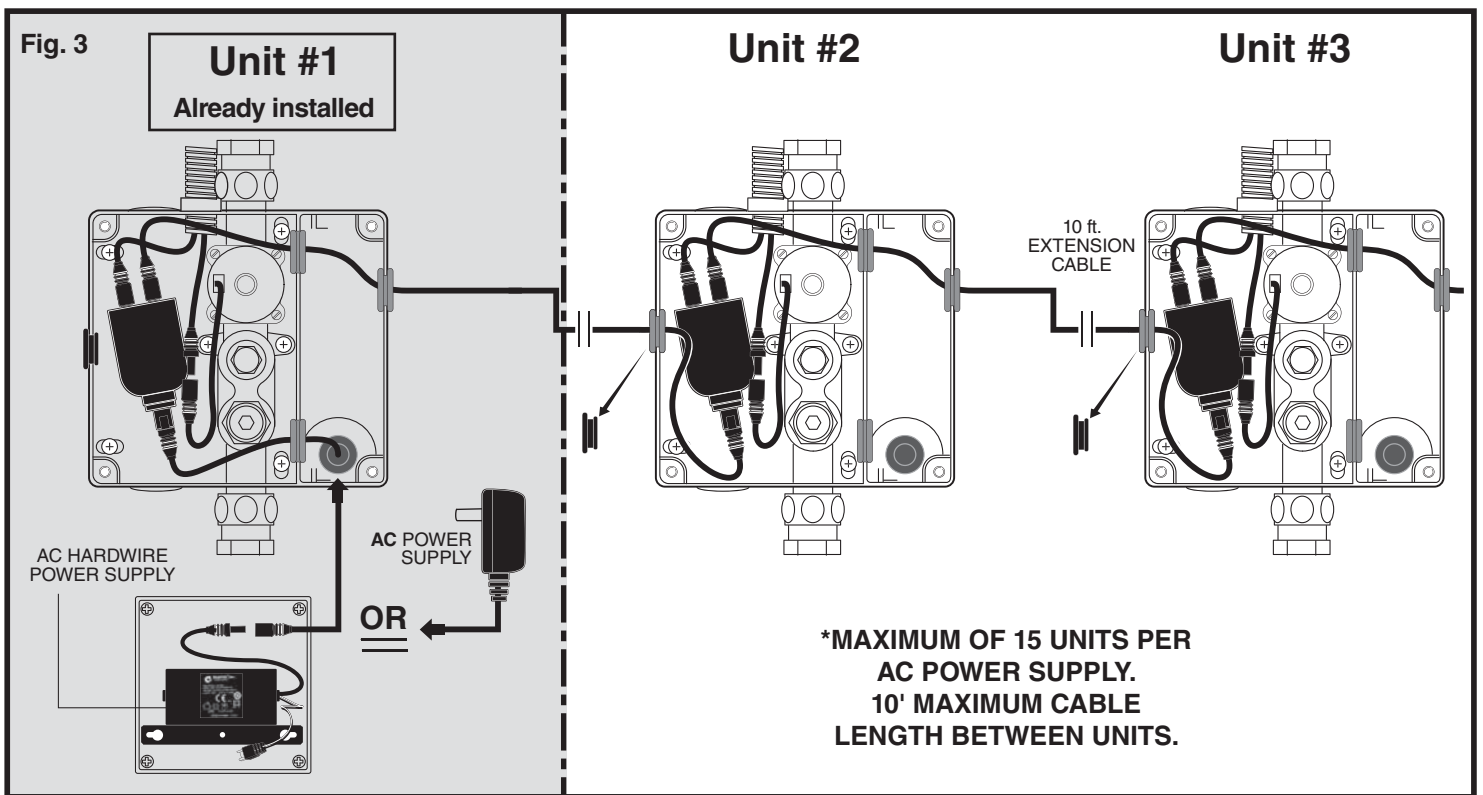


Fig. 2c





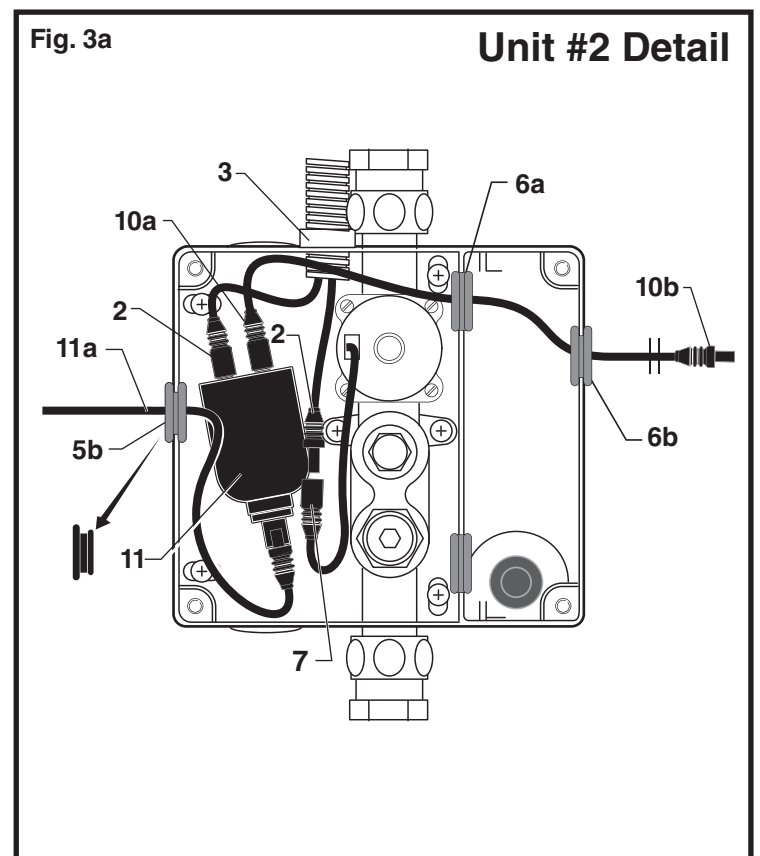
## ☑ MULTI-AC VERSION (DAISY-CHAIN); Fig. 3, 3a

**Important:** All control box covers must be removed before beginning to make daisy-chain connections.  
Disconnect the first unit's Y-Adapter from power supply before making daisy-chain connections.

**Note:** For Unit #1 electrical instructions, refer to section B (page 5).  
For subsequent Units, refer to instructions below...

1. Remove COVERS from all CONTROL BOX (3).
2. Insert previous unit's 10' EXTENSION (11a) through gray GROMMET (5b) and connect to single terminal of Y-ADAPTER (11).
3. Remove solid black plug grommet from left side of all CONTROL BOX (3), and replace with GRAY GROMMET (5b). (Supplied with each Faucet).
4. Feed 27" EXTENSION CABLES (2) through the top of CONTROL BOX (3). Connect one 27" EXTENSION CABLE (2) to the SOLENOID CABLE (7), and the other to either of the two terminals at the one end of the Y-ADAPTER (11). Connect the current unit's 10' EXTENSION (10a) to available terminal of the Y-ADAPTER (11).
5. Feed the other end of the 10 ft.EXTENSION (10b) through the two GRAY GROMMETS (6a and 6b) and connect to the single terminal of the next unit's Y-ADAPTER (11). Place Y-ADAPTER (11) into CONTROL BOX (3).
6. Repeat Steps above for each additional Unit, for a Max. of 15 Units on one AC POWER SUPPLY.
7. Replace CONTROL BOX COVERS. Tighten cover screws firmly.

**CAUTION:** Use only American Standard supplied cable sets. Using non-AS supplied cables, or cutting, splicing or modifying any components will void the warranty.



# TEST INSTALLED FAUCET

TO ENSURE A LAMINAR WATER FLOW, the air must be slowly purged from the spout. To do so, cover the SENSOR (1) while slowly opening the water supply valves. When the water flows as a solid, smooth, steady stream, uncover the SENSOR (1) and fully open the water supply valve. Fig. 1.

## MAINTENANCE

### A HAND WASH SENSOR OPERATION; Fig. 1

When the Sensor detects a user, the water immediately starts to flow. Water flow will stop 2 seconds after user is out of sensor range. The off delay allows the user to comfortably move his hands without the flow cycling on and off. As a precaution, a safety timer will turn off the water, after the sensor has been blocked for 59 seconds. The water will stay off until the blockage is removed from the detection zone.

**Detection Zone: 2" - 10" (50mm - 250mm)**  
**Default: Set at Factory 6" (150mm)**

### B CHANGE SENSOR RANGE; (Factory set at 6") Fig. 2, 2a

1. Remove cover from CONTROL BOX. Disconnect Power Supply (1), then reconnect. Fig. 2.
2. While the SENSOR CONTROL LED (2) is blinking slowly, place your hand 1 - 2 in. (30-50mm) in front of the sensor. Fig. 2a.
3. When the LED stops blinking and stays "ON", move your hand to the desired position and hold in place until the LED begins to blink again. Fig. 2a.
4. Once the SENSOR CONTROL LED (2) begins to blink again, remove your hand from the detection zone. When the flashing stops, the detection distance is set.
5. Replace CONTROL BOX COVERS (2). Tighten cover screws firmly.

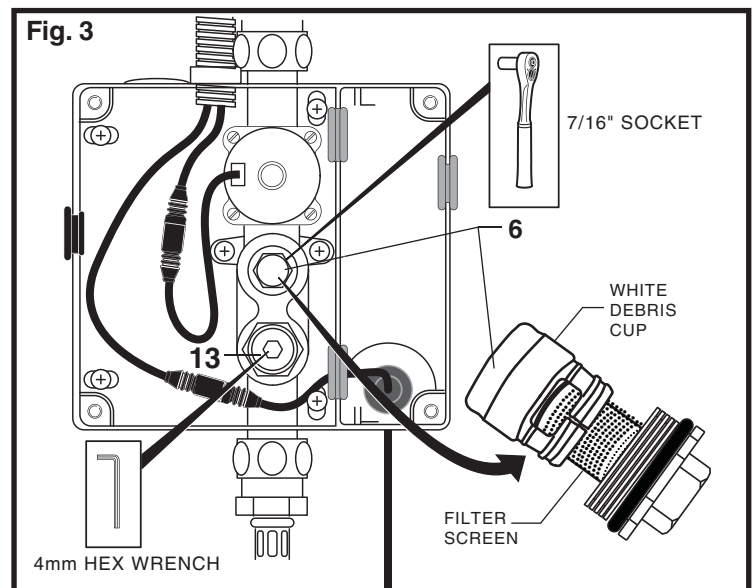
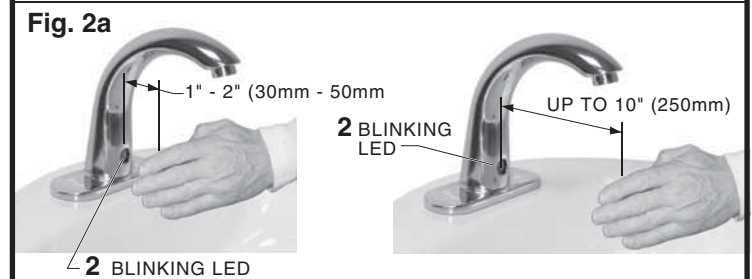
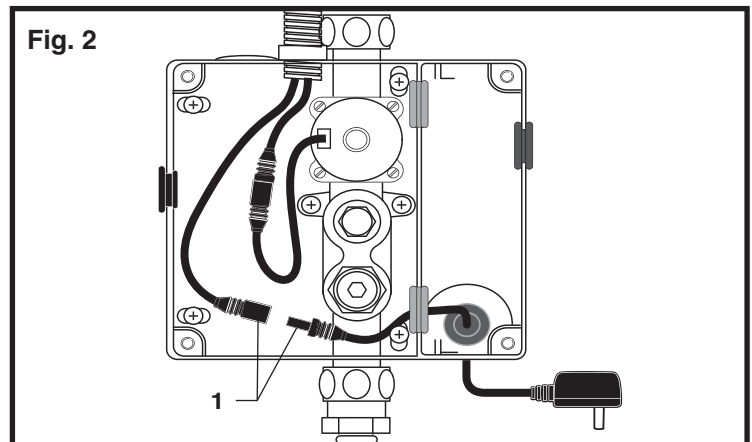
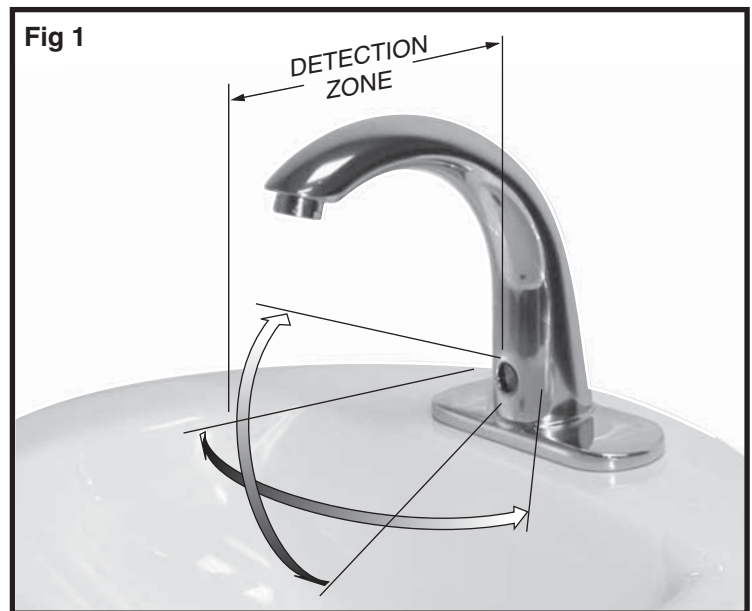
### C CLEAN FILTER ASSEMBLY; Fig. 3

**CAUTION** Before opening CONTROL BOX disconnect AC power supply.

1. Remove CONTROL BOX COVER.
2. Close SUPPLY STOP (13) with 4mm Hex wrench. Note: Activate sensor to keep water flowing out of faucet while shutting off.
3. Unthread FILTER ASSEMBLY (6) using a 7/16" socket.
4. Pull out the FILTER ASSEMBLY (6), remove and clean white debris cup and filter screen.
5. Install the FILTER ASSEMBLY (6) back in its place and tighten with a 7/16" socket.

**Caution: Do not over tighten.**

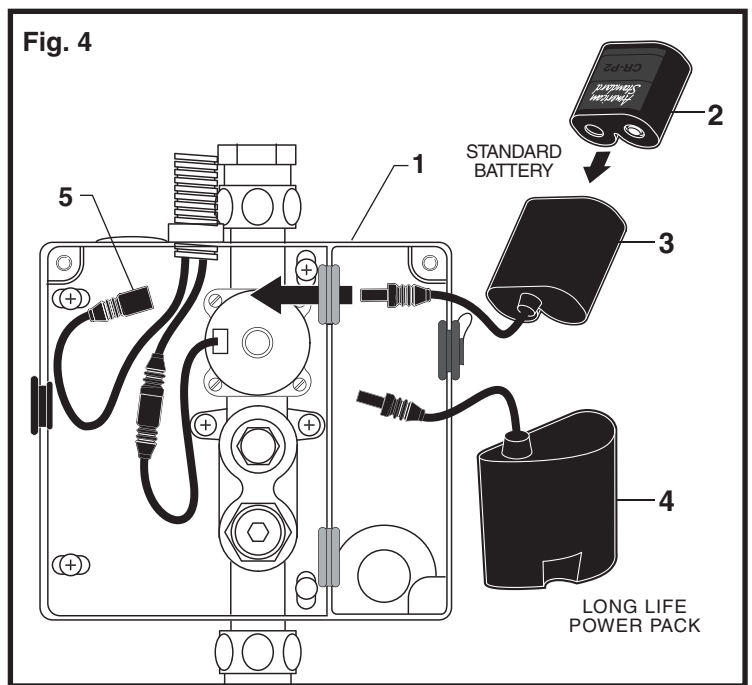
6. Open SUPPLY STOP (13) with 4mm Hex wrench.
7. Replace CONTROL BOX COVER. Tighten cover screws firmly.





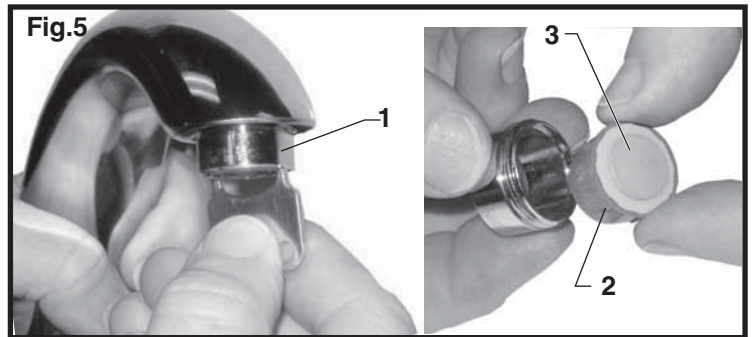
## **D** INSTALL / REPLACE THE BATTERY or LONG LIFE POWER PACK; Fig. 4

1. Remove COVER from CONTROL BOX (1).
2. Disconnect BATTERY HOLDER (3) from 27" EXTENSION CABLE (5).
3. Remove old BATTERY from BATTERY HOLDER (3). Install new BATTERY (2) making sure the terminal side is inserted first and shape of the battery follows the shape of the BATTERY HOLDER (3).
4. To replace LONG LIFE POWER PACK (4), unplug and replace with new Power Pack.
5. Reconnect BATTERY HOLDER (3) to 27" EXTENSION CABLE (5).
6. Replace CONTROL BOX COVER. Tighten cover screws firmly.



## **E** CLEAN AND REMOVE THE AERATOR; Fig. 5

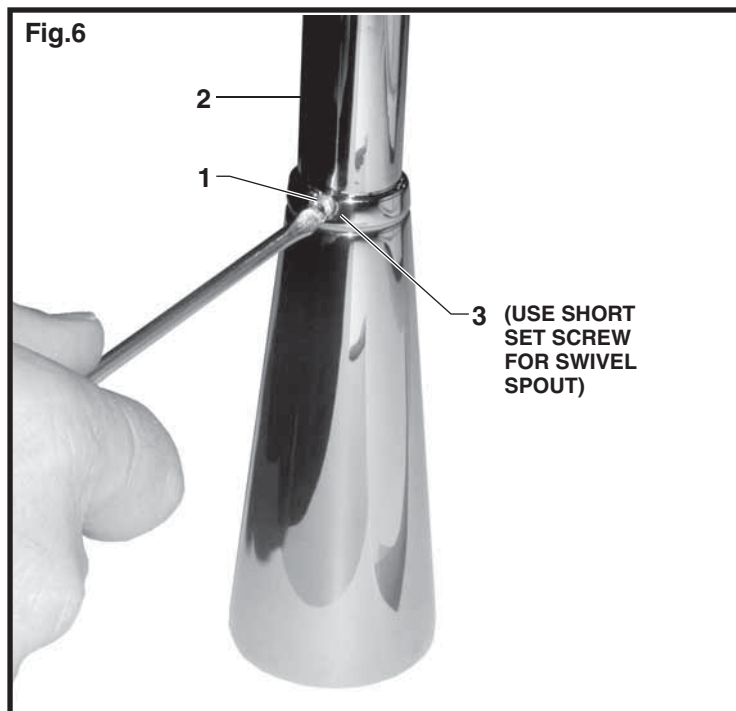
1. Remove AERATOR HOUSING (1) with KEY supplied with faucet.
2. Clean the AERATOR SCREENS (3).
3. Remove AERATOR (2) from HOUSING (1).
4. Clean with water. Reassemble and install into spout end. Make sure black seal washer is in place.



## **F** CONVERT RIGID GOOSENECK SPOUT TO SWING SPOUT; Fig. 6

The GOOSENECK SPOUT is shipped from the factory as a rigid assembly. To convert the GOOSENECK SPOUT into a SWING SPOUT, proceed as follows:

1. Remove SET SCREW (1) from back of GOOSENECK SPOUT (2) with a flat blade screwdriver. Fig. 6.
2. Install SWIVEL SET SCREW (3) on the back of GOOSENECK SPOUT (2). SWIVEL SET SCREW (3) is found in hardware bag inside the product box.



## **G** GENERAL CLEANING; Fig. 7

1. Only use a damp, soft cloth to clean the spout and the sensor.
2. For tougher dirt, use a soft cloth with diluted dish washing detergent. Wipe the area using a wet cloth and dry using a soft cloth.

### **CAUTION**

**Do not scratch the sensor when cleaning. Avoid using any abrasives or harsh detergents or chemicals.**



## **FAQ'S**

**Q:** How will I know if the battery needs to be replaced?

**A:** Valve will not open and sensor will continuously blink 2 times interrupted by a pause for up to 7 days.

**Q:** Why has the flow rate of the faucet reduced significantly?

**A:** The filter assembly, flow regulator or areator/spray may be clogged. Check and clean. Refer to Start-up/Maintenance, sections C, D and E.

**Q:** Why doesn't the water flow out of faucet when I'm within the sensor detection zone?

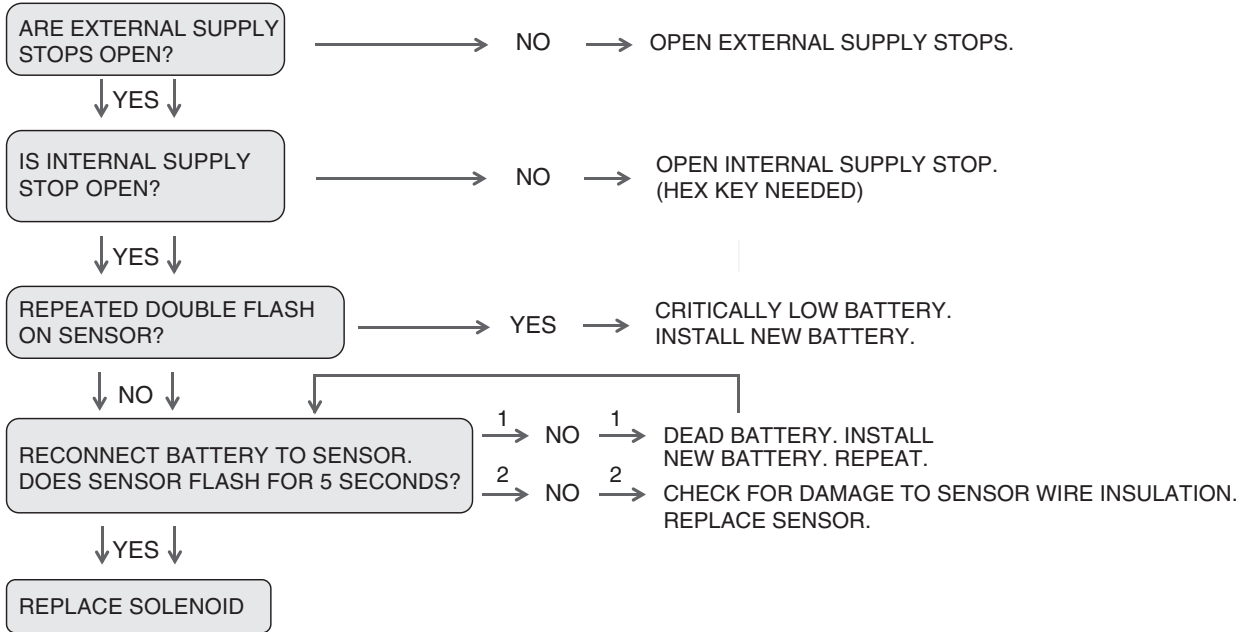
**A:** Battery may need replacement. Check. If sensor continuously blinks 2 times interrupted by pause, replace battery or call (844) CRT-TEAM / (844) 278-8326.

**Q:** What is the normal operating pressure range?

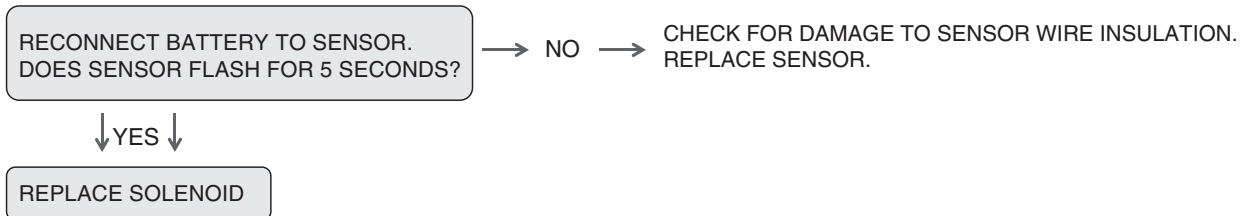
**A:** Faucet will operate with supply pressures ranging from 20-80 psi.

# TROUBLESHOOTING FLOW CHARTS

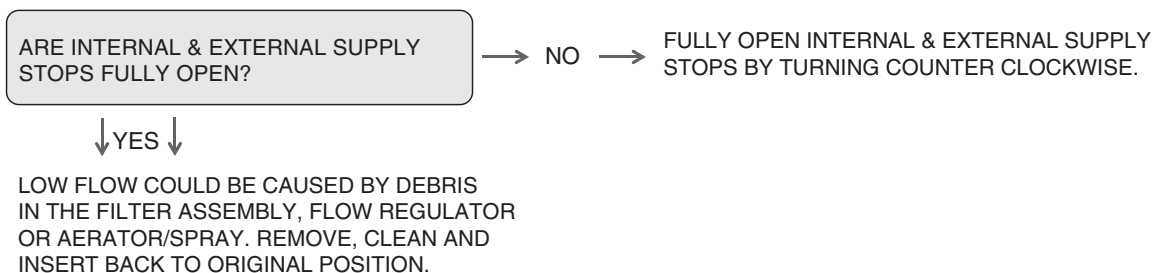
## UNIT DOES NOT FUNCTION



## WATER IS CONTINUOUSLY RUNNING



## LOW FLOW ISSUES



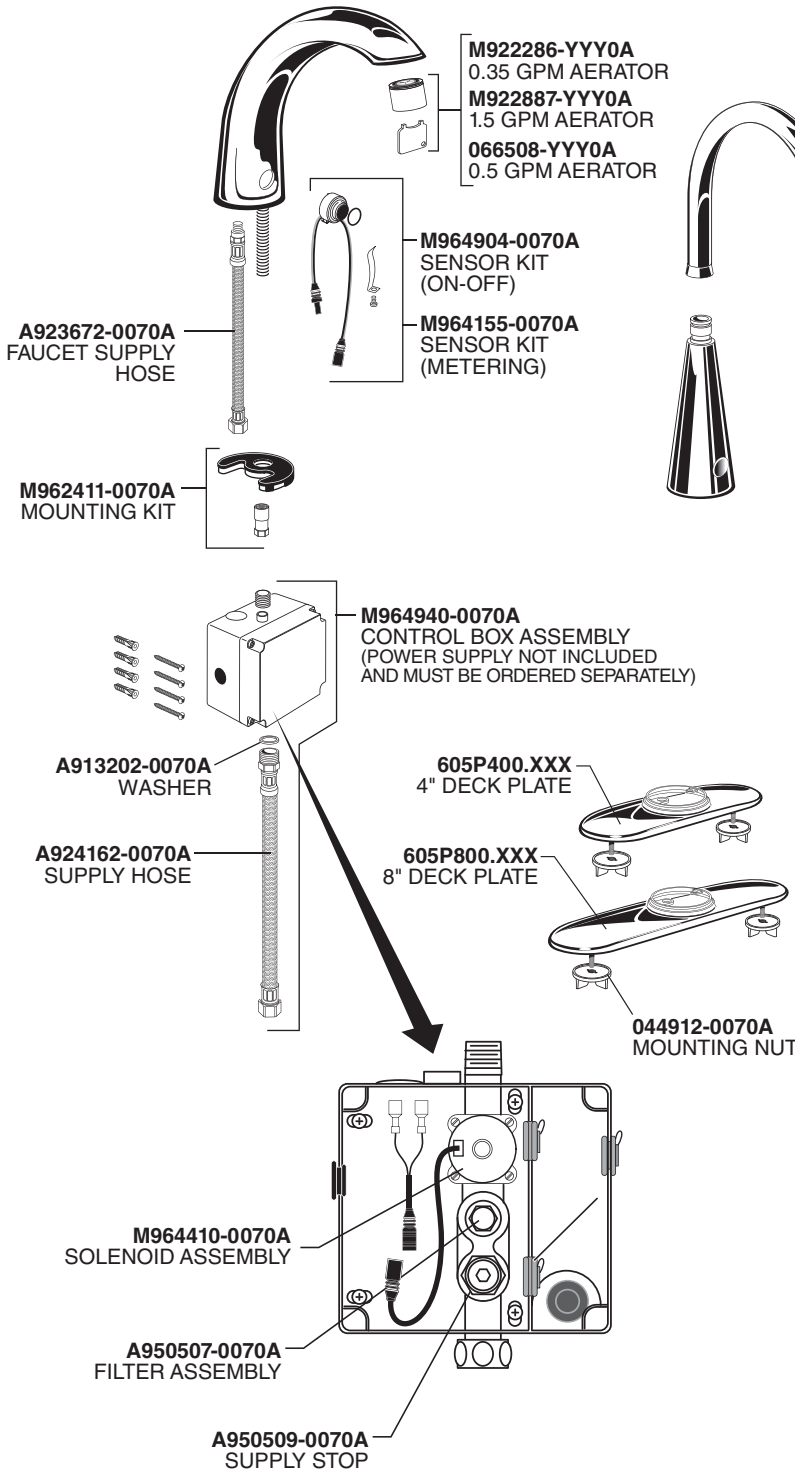
HOT LINE FOR HELP  
For toll-free information and answers to your questions, call:  
(844) CRT-TEAM / (844) 278-8326  
Mon. - Fri. 8:00 a.m. to 8:00 p.m. EST Saturday 10:00 a.m. to 4:00 p.m. EST  
IN MEXICO 01-800-839-1200  
IN CANADA 1-800-387-0369 (TORONTO 1-905-306-1093)  
Weekdays 8:00 a.m. to 7:00 p.m. EST

Product names listed herein are trademarks of AS America, Inc. ©2016

To learn more about American Standard Selectronic® Products visit our website at:  
[www.americanstandard-us.com](http://www.americanstandard-us.com) or e-mail us at: [CRTTEAM@americanstandard.com](mailto:CRTTEAM@americanstandard.com)

### MODEL NUMBERS

605X.102 605X.104 605X.105  
605X.163 605X.164 605X.165



### DC Long Life Power Pack

6053.193

**M950510-0070A**  
27" EXTENSION CABLE

**M950361-0070A**  
LONG LIFE BATTERY

### DC Standard Battery

6053.193

**M950510-0070A**  
27" EXTENSION CABLE

**M950514-0070A**  
BATTERY HOLDER

**A923654-0070A**  
BATTERY 6V CR-P2

### AC Plug-in

6056.193

**M950510-0070A**  
27" EXTENSION CABLE

**M950338-0070A**  
POWER SUPPLY

### AC Hardwire

6059.193

**M950510-0070A**  
27" EXTENSION CABLE

**M950511-0070A**  
10' EXTENSION

**M950520-0070A**  
POWER SUPPLY

**M950512-0070A**  
Y-ADAPTER

### AC Multi

6057.193

**M950510-0070A**  
27" EXTENSION CABLE

**M950511-0070A**  
10' EXTENSION

**M950512-0070A**  
Y-ADAPTER



HOT LINE FOR HELP  
For toll-free information and answers to your questions, call:

(844) CRT-TEAM / (844) 278-8326

Mon. - Fri. 8:00 a.m. to 8:00 p.m. EST Saturday 10:00 a.m. to 4:00 p.m. EST  
IN MEXICO 01-800-839-1200

IN CANADA 1-800-387-0369 (TORONTO 1-905-306-1093)  
Weekdays 8:00 a.m. to 7:00 p.m. EST

Product names listed herein are trademarks of AS America, Inc. ©2016

To learn more about American Standard Selectronic® Products visit our website at:  
[www.americanstandard-us.com](http://www.americanstandard-us.com) or e-mail us at: [CRTTEAM@americanstandard.com](mailto:CRTTEAM@americanstandard.com)

Appropriate finish code

CHROME

002