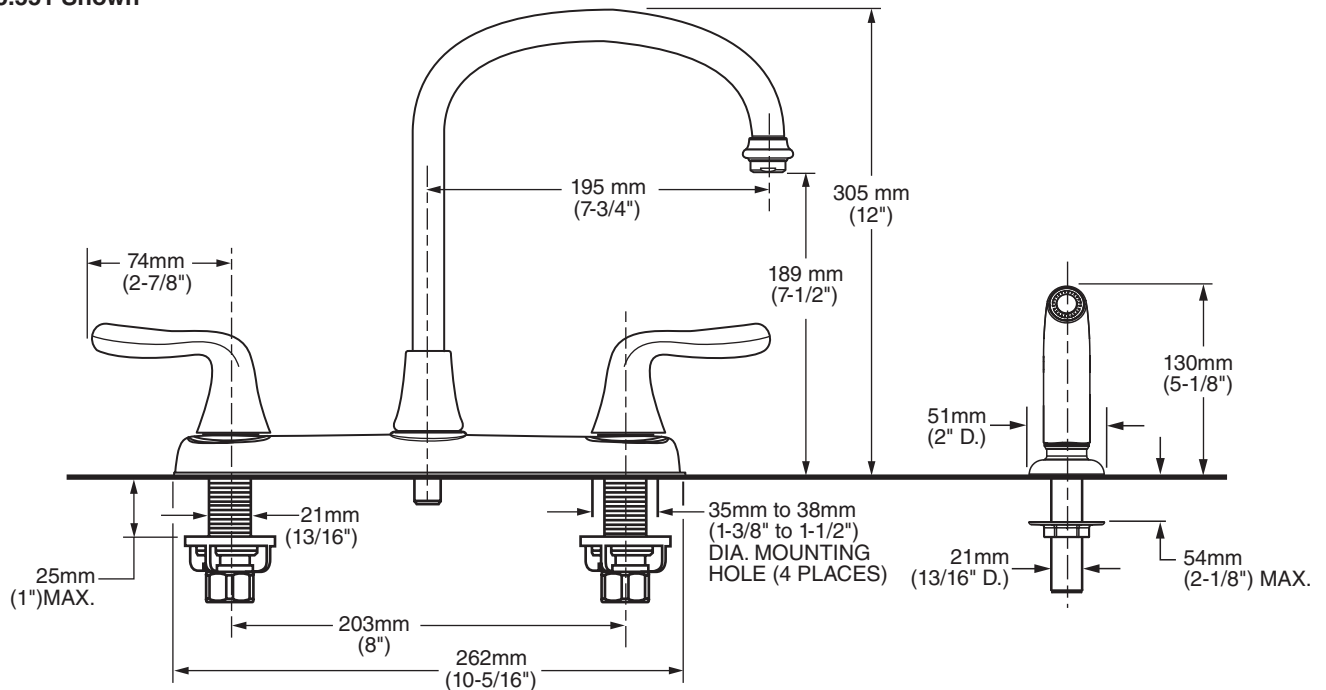


4275.551 Shown

**MODEL NUMBER:**

- ❑ **4275.550 Kitchen Faucet**  
Lever Handles. Less Handspray.
- ❑ **4275.550.F15 Kitchen Faucet**  
Same as above. 1.5gpm flow rate.
- ❑ **4275.551 Kitchen Faucet**  
Lever Handles. Separate Color-Matched Handspray.
- ❑ **4275.551.F15 Kitchen Faucet**  
Same as above. 1.5gpm flow rate.



**GENERAL DESCRIPTION:**

Durable brass construction. 1/4 turn washerless ceramic disc valve cartridges. Durable cast brass waterway with 1/2" male inlet shanks. Brass gooseneck swivel spout and lever handles. Metal escutcheon plate (escutcheon size 10-5/16"L x 2-3/8"W). 2.2gpm/8.3L/min. maximum flow rate, 1.5gpm/5.7 L/min. maximum flow rate for F15 models.

**PRODUCT FEATURES:**

**Ceramic Disc Valve Cartridges:** Assures a lifetime of drip-free performance.

**Cast Brass Waterways with "City Shanks":** Strong and durable. Integral tabs on casting provide a wobble-free installation.

**Lead Free:** Faucet contains ≤ 0.25% total lead content by weighted average.

**Simple Installation:** Fast and easy one person installation. Faucet drops in from top. Quick spin nuts secure faucet in place.

**SUGGESTED SPECIFICATION:**

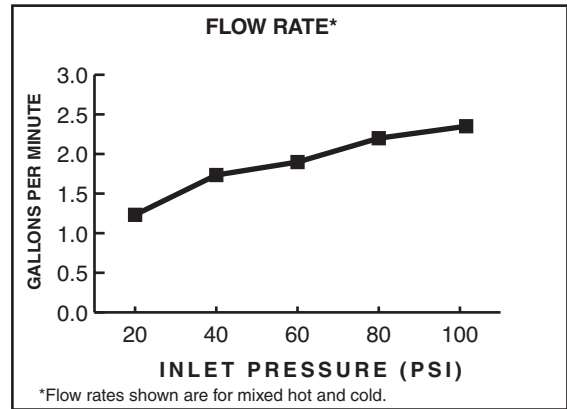
Two handle kitchen faucet shall feature brass construction with all brass inlet shanks and coupling nuts. Brass gooseneck swivel spout. Shall also feature 1/4 turn washerless ceramic disc valve cartridges that are reversible for use on either "hot" or "cold" side. Faucet shall be American Standard Model #4275.5\_\_\_\_.

**COLONY SOFT  
TWO-HANDLE KITCHEN FAUCET  
WITH BRASS GOOSENECK SPOUT**

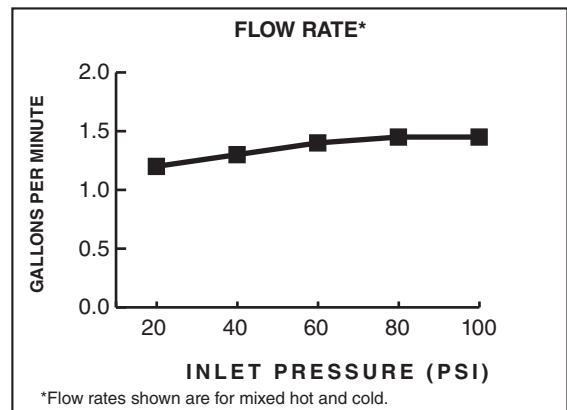
**CODES AND STANDARDS**

These products meet or exceed the following codes and standards:

- ASME A112.18.1
- CSA B 125
- NSF 61/Section 9 & Annex G
- ANSI A117.1




**2.2gpm/8.3L/min. FLOW RATE**



**1.5gpm/5.7 L/min. FLOW RATE**

Product Number	Description	Finish Options	
		Polished Chrome	PVD Stainless Steel
4275.550	Kitchen faucet. Lever handles. Less Handspray.	002	075
4275.550.F15	Same as above. 1.5gpm/5.7 L/min. flow rate.		
4275.551	Kitchen faucet. Lever handles. Separate Color-Matched Handspray.		
4275.551.F15	Same as above. 1.5gpm/5.7 L/min. flow rate.		

 Meets the American Disabilities Act Guidelines and **ANSI A117.1** Requirements for the physically challenged.