

ALCOVE SHOWER BASE

Product Features:

- Acrylic with fiberglass reinforcement
- Single threshold unit
- Textured bottom pattern
- Integral self-leveling base
- Integral three-sided, double tiling edge with water retention flange
- Molded-in flood guard
- PVC shower drain with stainless steel drain plate

4242.ST ALCOVE SHOWER BASE

Nominal Dimensions:

1070 x 1070 x 168mm
(42-1/8" x 42-1/8" x 6-5/8")

3636.ST ALCOVE SHOWER BASE

Nominal Dimensions:

914 x 919 x 168mm
(36" x 36-3/16" x 6-5/8")

3232.ST ALCOVE SHOWER BASE

Nominal Dimensions:

813 x 813 x 168mm
(32" x 32" x 6-5/8")

Does not meet IAPMO minimum inside square inch requirements of 1,024 square inches.

Compliance Certifications -

Meets or Exceeds the Following Specifications:

- ANSI Z124.2 for Plastic Shower
- ASTM E162 for Surface Flammability
- NFPA 258 for Smoke Density



SEE REVERSE SIDE FOR ROUGHING-IN DIMENSIONS AND PRODUCT SPECIFICATIONS

To Be Specified - Required:

- Color: (specify color)

To Be Specified - Optional:

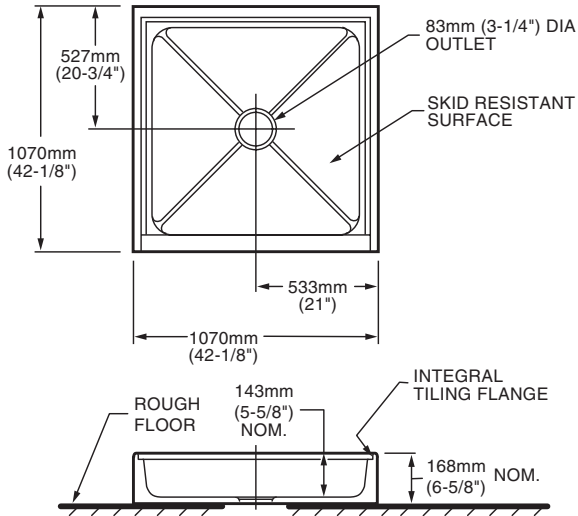
- Metal Drain Plate:
 - 751819-099 in Polished Brass
 - or
 - 751819-295 in Satin Nickel

NOTES:

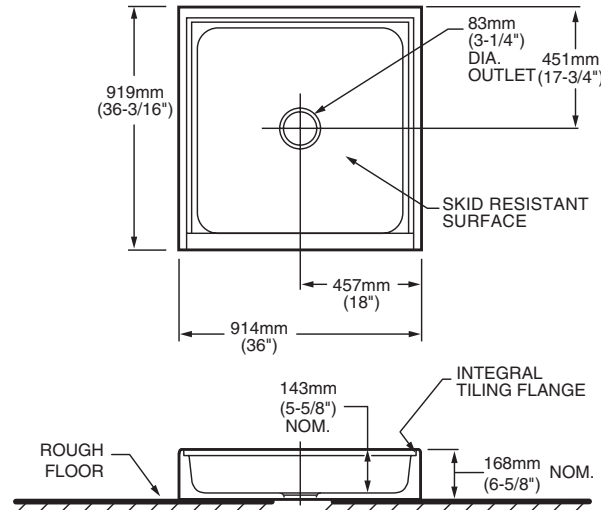
REFER TO INSTALLATION INSTRUCTIONS SUPPLIED WITH SHOWER BASE FOR ADDITIONAL INFORMATION.

IMPORTANT: Dimensions of fixtures are nominal and may vary within the range of tolerances established by ANSI Standard Z124.1 / CSA. These measurements are subject to change or cancellation. No responsibility is assumed for use of superseded or voided pages.

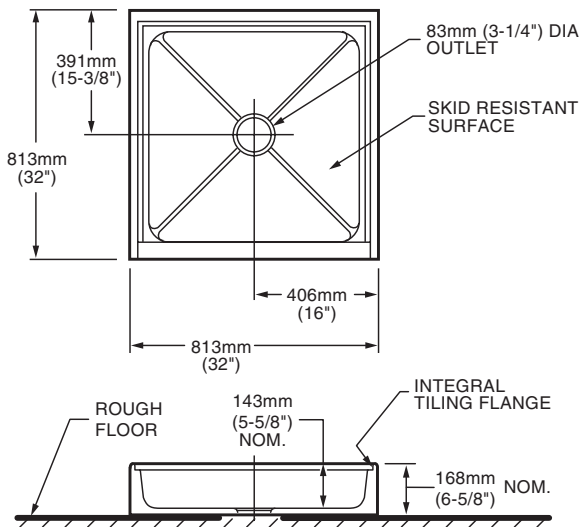
4242.ST



3636.ST



3232.ST



GENERAL SPECIFICATIONS FOR 4242.ST SHOWER BASE

INSTALLED SIZE _____ 1070mm X 1070mm X 168mm
(42-1/8 X 42-1/8 X 6-5/8 IN.)
WEIGHT _____ 43 Kg. (95 LBS.)
WEIGHT w/WATER _____ 172 Kg. (382 LBS.)
SHOWER WELL AT SUMP _____ 895mm X 895mm (34-5/8 X 34-5/8 IN.)
SHOWER WELL AT RIM _____ 946mm X 965mm (37-1/4 X 38 IN.)
FLOOR LOADING _____ 151 Kgs/Sq. m. (32 LBS./SQ. FT.)
(PROJECTED AREA)

GENERAL SPECIFICATIONS FOR 3636.ST SHOWER BASE

INSTALLED SIZE _____ 914 x 919 x 168mm (36" x 36-3/16" x 6-5/8")
WEIGHT _____ 25 Kg. (56 LBS.)
WEIGHT w/WATER _____ 87 Kg. (193 LBS.)
SHOWER WELL AT SUMP _____ 749mm X 711mm (29-1/2 X 28 IN.)
SHOWER WELL AT RIM _____ 826mm X 787mm (32-1/2 X 31 IN.)
FLOOR LOADING _____ 104 Kgs/Sq. m. (21 LBS./SQ. FT.)
(PROJECTED AREA)

GENERAL SPECIFICATIONS FOR 3232.ST SHOWER BASE

INSTALLED SIZE _____ 813mm X 813mm X 168mm
(32 X 32 X 6-5/8 IN.)
WEIGHT _____ 21 Kg. (46 LBS.)
WEIGHT w/WATER _____ 70 Kg. (154 LBS.)
SHOWER WELL AT SUMP _____ 686mm X 648mm (27 X 25-1/2 IN.)
SHOWER WELL AT RIM _____ 724mm X 686mm (28-1/2 X 27 IN.)
FLOOR LOADING _____ 105 Kgs/Sq. m. (22 LBS./SQ. FT.)
(PROJECTED AREA)