

American Standard

Style That Works Better

PRODUCT DIMENSIONS

MODEL 2664

MODEL 3571

MODEL 2709

MODEL 3572

MODEL 2711

MODEL 3573

MODEL 2742

MODEL 3574

MODEL 2748

MODEL 3575

MODEL 2806

MODEL 6060

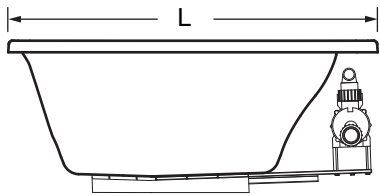
MODEL 2903

MODEL 7236

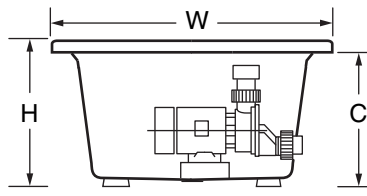
MODEL 2908

**BATHTUBS, WHIRLPOOLS, AIR BATHS
AND COMBINATION TUBS WITH
OPTIONAL CHROMATHERAPY**

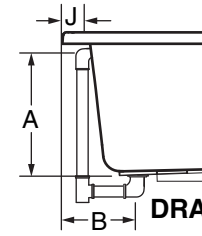
SPECIFICATIONS:



SIDE VIEW



END VIEW



DRAIN / OVERFLOW

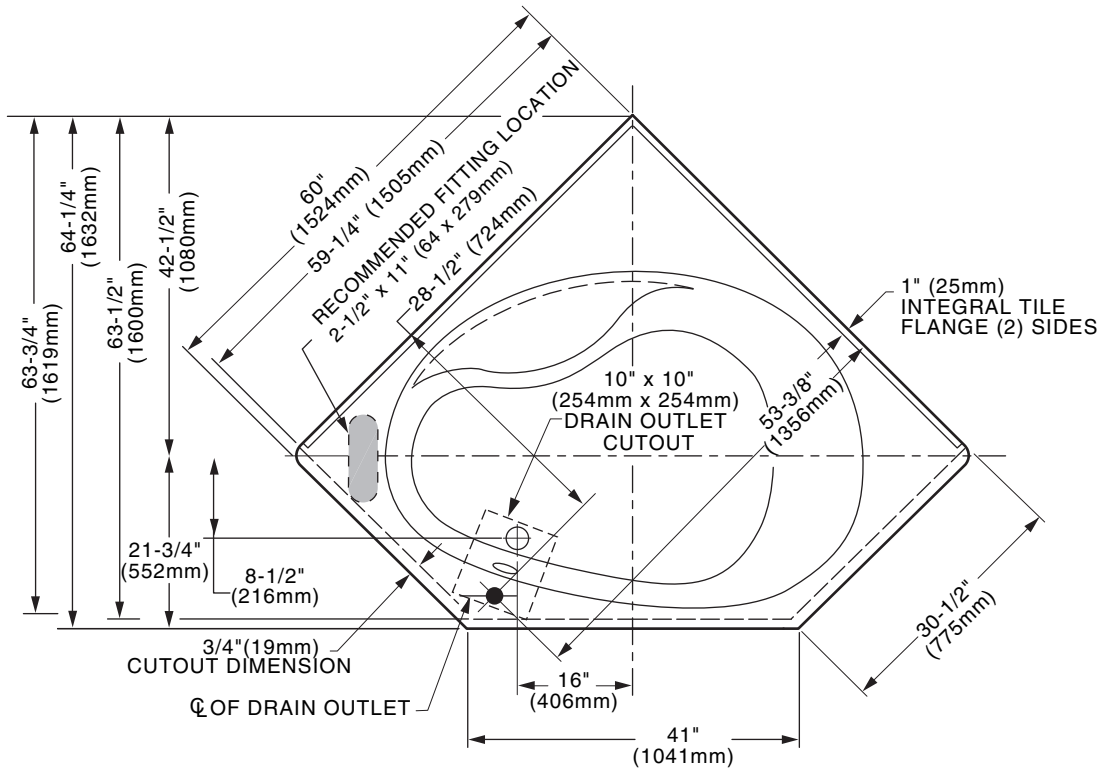
GENERAL SPECIFICATIONS FOR WHIRLPOOLS AND BATH TUBS

Description	Dimensions L-W-H	Drain / Overflow	Height to Underside of Deck: C	Cut Out Pier G x F	Rough-In Recess E x D	Tab Edge to Centerline Overflow: J	Weight with Water / Floor Loading	Product Weight	Gallon to Overflow	Whirlpool Operating Volume
2664 Scala Corner	L 83-1/2" (2121mm) W 63-3/4" (1619mm) H 19-3/4" (502mm)	A 16" (406mm) B 13-1/4" (337mm)	C 18-1/4" (464mm)	Template Provided	N/A	6-3/8" (162mm)	781 lb. (351 kg)/ 37 lb./sq.ft. (182 kg/sq.m)	94 lb. (43 kg.)	80 gal. (303 l.)	58 gal. (220 l.)
2709 Ellisse Oval 6'	L 69-1/4" (1759mm) W 38-1/2" (978mm) H 19-3/4" (502mm)	A 15" (381mm) B 9-7/8" (251mm)	C 18-1/4" (464mm)	Template Provided	As Desired	3" (76mm)	640 lb. (291 kg)/ 35 lb./sq.ft. (171 kg/sq.m)	107 lb. (49 kg.)	64 gal. (242 l.)	53 gal. (200 l.)
2711 Ellisse 6' x 48"	L 72" (1829mm) W 48" (1219mm) H 21-1/2" (546mm)	A 16-5/8" (422mm) B 12" (305mm)	C 19-1/2" (495mm)	70-1/2" (1791mm) x 46-1/2" (1181mm)	72-3/16" (1833mm) x 46-1/2" (1181mm)	4" (102mm)	950 lb. (431 kg)/ 40 lb./sq.ft. (196 kg/sq.m)	133 lb. (60 kg.)	95 gal. (359 l.)	74 gal. (280 l.)
2742 Town Square 6' x 42"	L 71-1/2" (1816mm) W 41-3/4" (1060mm) H 22" (559mm)	A 16-1/4" (413mm) B 13-1/4" (337mm)	C 20" (508mm)	70" (1778mm) x 40-1/4" (1022mm)	71-11/16" (1821mm) x 40-1/4" (1022mm)	4" (102mm)	690 lb. (313 kg)/ 33 lb./sq.ft. (161 kg/sq.m)	115 lb. (52 kg.)	69 gal. (261 l.)	60 gal. (227 l.)
2748 Town Square 5' x 42"	L 59-1/2" (1511mm) W 41-5/8" (1057mm) H 23" (584mm)	A 14-1/2" (368mm) B 14-1/2" (368mm)	C 21" (533mm)	58" (1473mm) x 40-1/8" (1019mm)	59-11/16" (1517mm) x 40-1/8" (1019mm)	5-1/4" (133mm)	611 lb. (277 kg)/ 40 lb./sq.ft. (196 kg/sq.m)	110 lb. (50 kg.)	60 gal. (227 l.)	55 gal. (208 l.)
2806 Heritage Oval 6' x 36"	L 72" (1829mm) W 35-3/4" (908mm) H 21-1/2" (546mm)	A 17" (432mm) B 11" (279mm)	C 19-1/2" (495mm)	Template Provided	As Desired	5-1/2" (140mm)	744 lb. (338 kg)/ 41 lb./sq.ft. (200 kg/sq.m)	135 lb. (61 kg.)	73 gal. (276 l.)	44 gal. (166 l.)
2903 Savona Oval 5' x 42"	L 60" (1524mm) W 42-1/4" (1073mm) H 21-1/4" (540mm)	A 17" (432mm) B 9-1/2" (241mm)	C 19-1/4" (489mm)	Template Provided	As Desired	3" (76mm)	640 lb. (291 kg)/ 35 lb./sq.ft. (171 kg/sq.m)	107 lb. (49 kg.)	64 gal. (242 l.)	53 gal. (200 l.)
2908 Reminiscence Oval	L 66" (1676mm) W 36" (914mm) H 24-1/4" (616mm)	A 17" (432mm) B 13" (330mm)	C 18-1/4" (464mm)	Template Provided	As Desired	6" (152mm)	659 lb. (299 kg)/ 40 lb./sq.ft. (191 kg/sq.m)	95 lb. (43 kg.)	68 gal. (257 l.)	55 gal. (208 l.)
6060 Cadenza Corner	L 76-3/4" (1949mm) W 65-3/8" (1661mm) H 21-1/2" (546mm)	A 17" (432mm) B 13-3/4" (349mm)	C 19-1/2" (495mm)	Template Provided 751680-100	N/A	5-5/8" (130mm)	824 lb. (374 kg)/ 25 lb./sq.ft. (117 kg/sq.m)	108 lb. (49 kg.)	86 gal. (325 l.)	71 gal. (269 l.)
7236 Virtuoso 6' x 36"	L 72" (1829mm) W 36" (914mm) H 21-1/4" (540mm)	A 17-3/4" (451mm) B 11" (279mm)	C 19-1/4" (489mm)	70-1/2" (1791mm) x 34-1/2" (876mm)	72-3/16" (1833mm) x 34-1/2" (876mm)	4" (102mm)	751 lb. (338 kg)/ 42 lb./sq.ft. (204 kg/sq.m)	101 lb. (45 kg.)	78 gal. (296 l.)	69 gal. (262 l.)

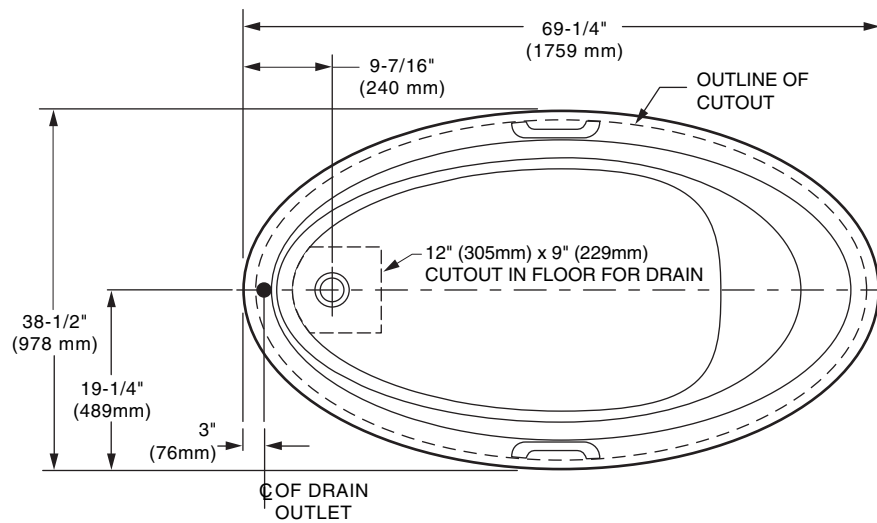
TABLE 1

ROUGH-IN REFERENCES

MODEL SERIES 2664

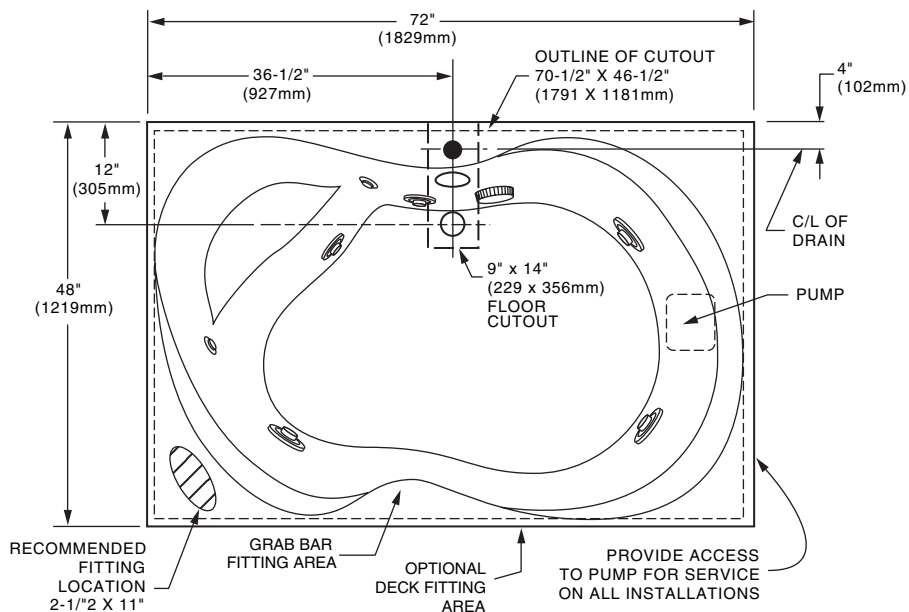


MODEL SERIES 2709

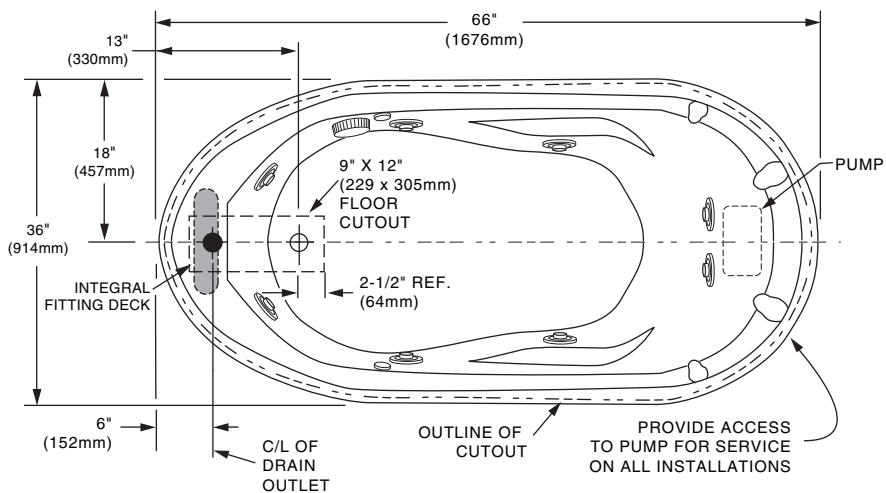


ROUGH-IN REFERENCES

MODEL SERIES 2711

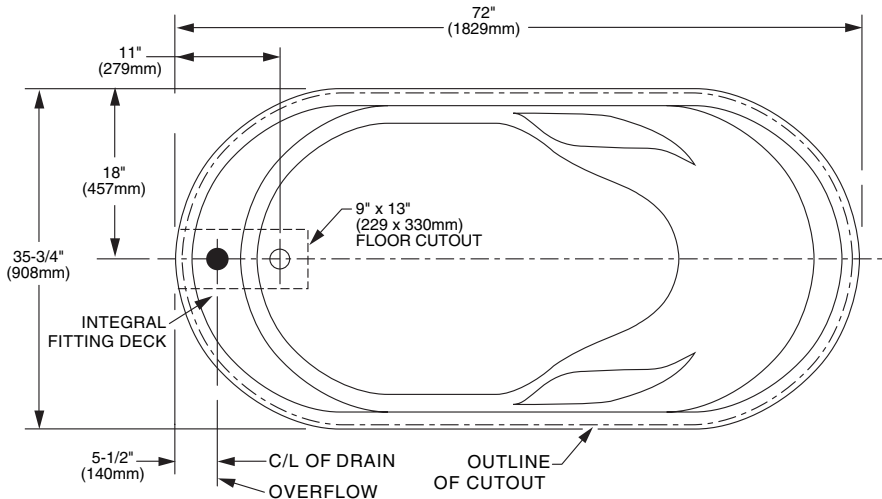


MODEL SERIES 2908

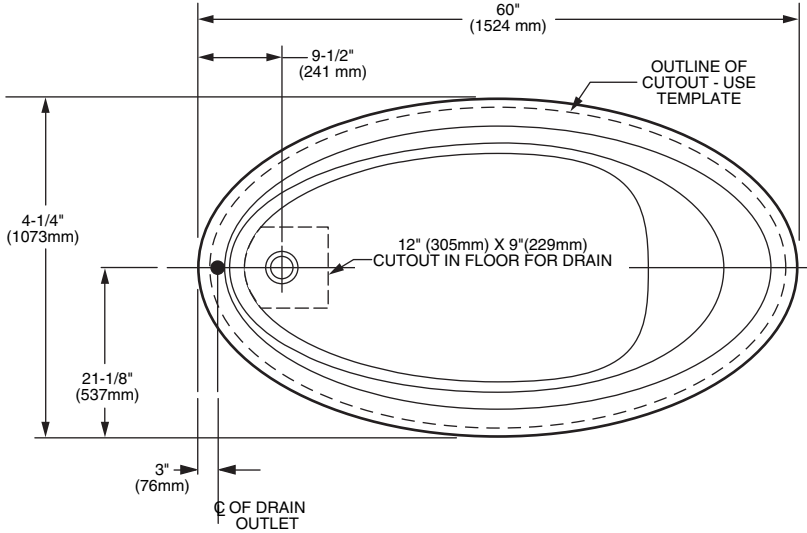


ROUGH-IN REFERENCES

MODEL SERIES 2806

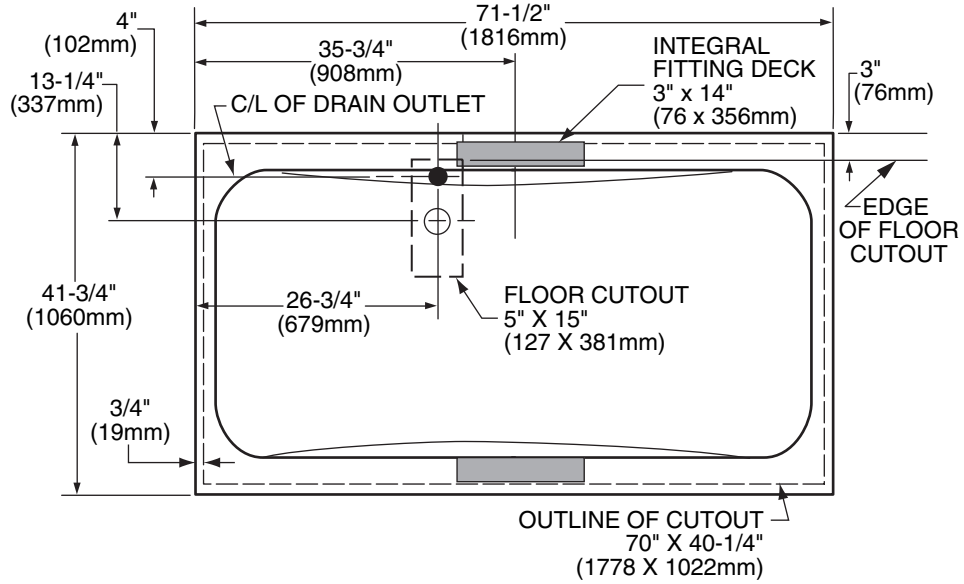


MODEL SERIES 2903

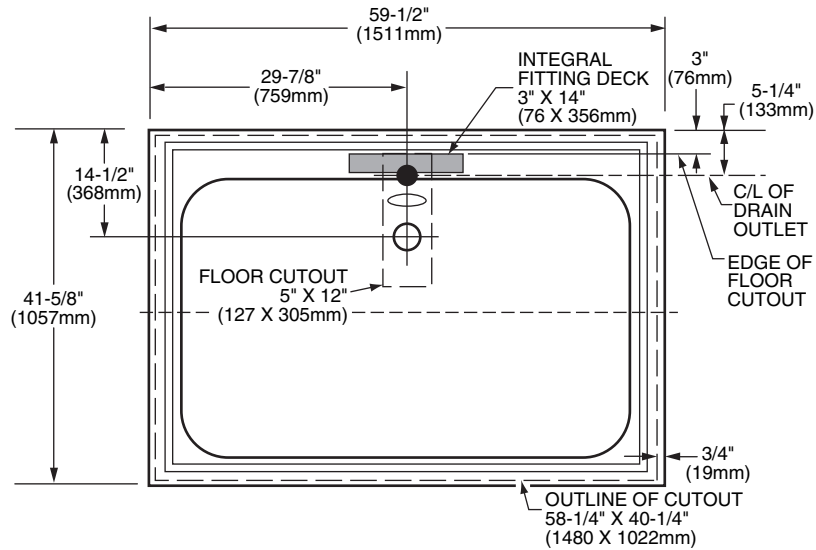


ROUGH-IN REFERENCES

MODEL SERIES 2742

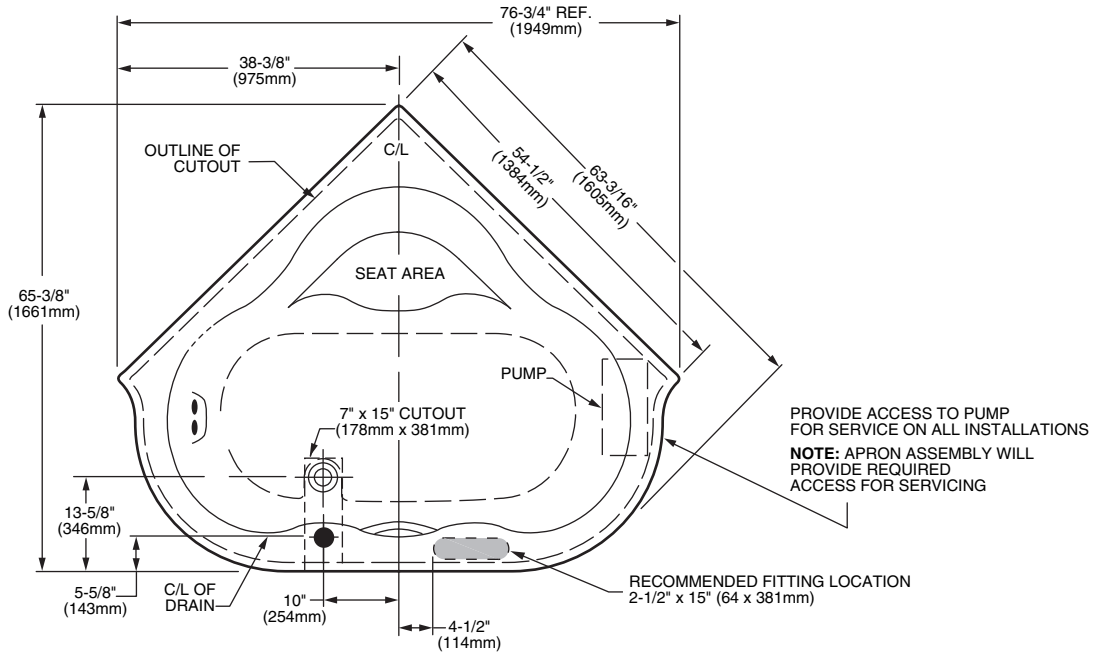


MODEL SERIES 2748



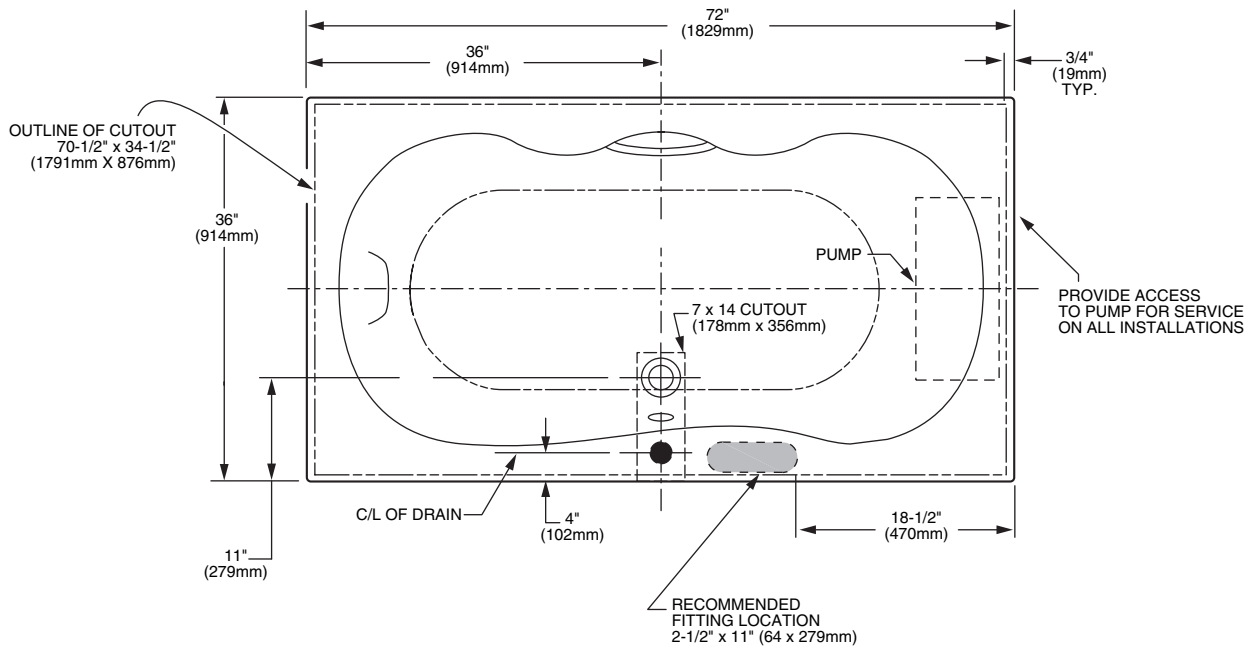
ROUGH-IN REFERENCES

MODEL SERIES 6060

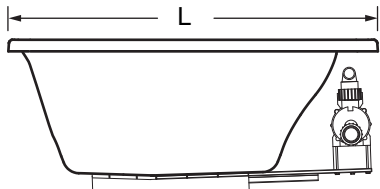


USE CUTOUT TEMPLATE SUPPLIED WITH PACKAGED PRODUCT.

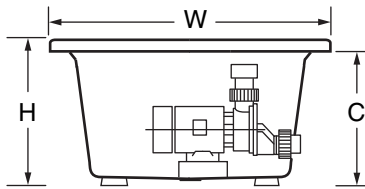
MODEL SERIES 7236



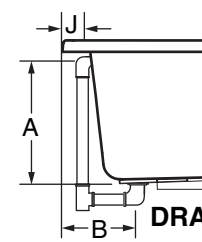
SPECIFICATIONS:



SIDE VIEW



END VIEW



DRAIN / OVERFLOW

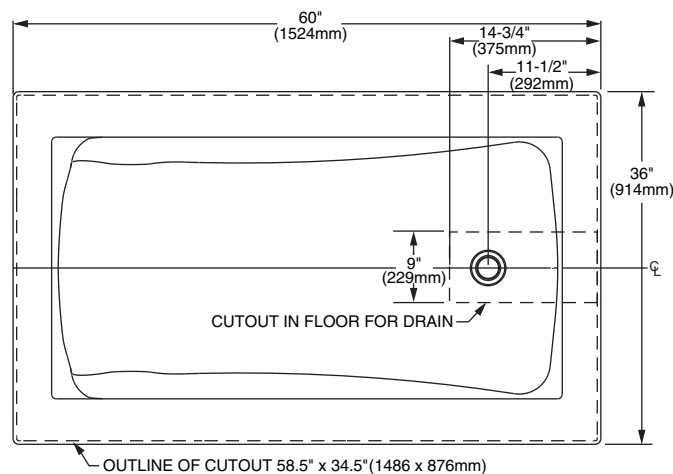
GENERAL SPECIFICATIONS FOR GREEN TEA WHIRLPOOLS AND BATH TUBS

Description	Dimensions L-W-H	Drain / Overflow	Height to Underside of Deck: C	Cut Out Pier G x F	Rough-In Recess E x D	Tub Edge to Centerline Overflow: J	Weight with Water / Floor Loading	Product Weight	Gallon to Overflow	Whirlpool Operating Volume
3571 Green Tea 5' x 36"	L 60" (1524mm) W 36" (914mm) H 21" (533mm)	A 16" (406mm) B 11-1/2" (349mm)	C 19" (483mm)	58-1/2" (1485mm) x 34-1/2" (876mm)	60-3/16" (1529mm) x 34-1/2" (876mm)	3-1/2" (89mm)	519 lb. (236 kg)/ 35 lb./sq.ft. (171 kg/sq.m)	86 lb. (39 kg.)	52 gal. (197 l.)	38 gal. (144 l.)
3572 Green Tea 5-1/2' x 36"	L 66" (1676mm) W 36" (914mm) H 21" (533mm)	A 16" (406mm) B 11-1/2" (349mm)	C 19" (483mm)	64-1/2" (1638mm) x 34-1/2" (876mm)	66-3/16" (1681mm) x 34-1/2" (876mm)	3-3/4" (95mm)	592 lb. (269 kg)/ 36 lb./sq.ft. (176 kg/sq.m)	100 lb. (45 kg.)	59 gal. (223 l.)	44 gal. (166 l.)
3573 Green Tea 6' x 36"	L 72" (1829mm) W 36" (914mm) H 21" (533mm)	A 16" (406mm) B 11-1/2" (349mm)	C 19" (483mm)	70-1/2" (1791mm) x 34-1/2" (876mm)	72-3/16" (1834mm) x 34-1/2" (876mm)	3-1/2" (89mm)	665 lb. (302 kg)/ 37 lb./sq.ft. (181 kg/sq.m)	115 lb. (52 kg.)	66 gal. (250 l.)	49 gal. (185 l.)
3574 Green Tea 5' x 42"	L 72" (1829mm) W 42" (1067mm) H 21" (533mm)	A 16" (406mm) B 11-1/2" (349mm)	C 19" (483mm)	58-1/2" (1485mm) x 40-1/2" (1029mm)	60-3/16" (1528mm) x 40-1/2" (1029mm)	3-1/8" (79mm)	656 lb. (298 kg)/ 38 lb./sq.ft. (186 kg/sq.m)	115 lb. (52 kg.)	65 gal. (246 l.)	47 gal. (178 l.)
3575 Green Tea 6' x 42"	L 72" (1829mm) W 42" (1067mm) H 21" (533mm)	A 16" (40 mm) B 11-1/2" (349mm)	C 19" (483mm)	70-1/2" (1791mm) x 40-1/2" (1029mm)	72-3/16" (1834mm) x 40-1/2" (1029mm)	3-1/2" (89mm)	785 lb. (356 kg)/ 37 lb./sq.ft. (181 kg/sq.m)	127 lb. (57 kg.)	79 gal. (299 l.)	58 gal. (219 l.)

TABLE 8

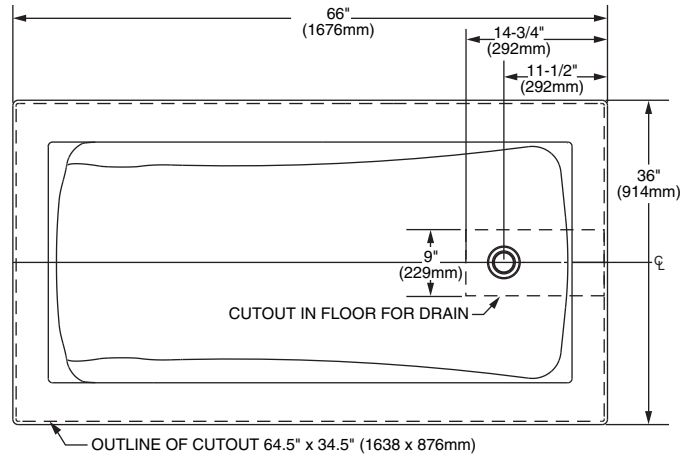
ROUGH-IN REFERENCES

MODEL SERIES 3571

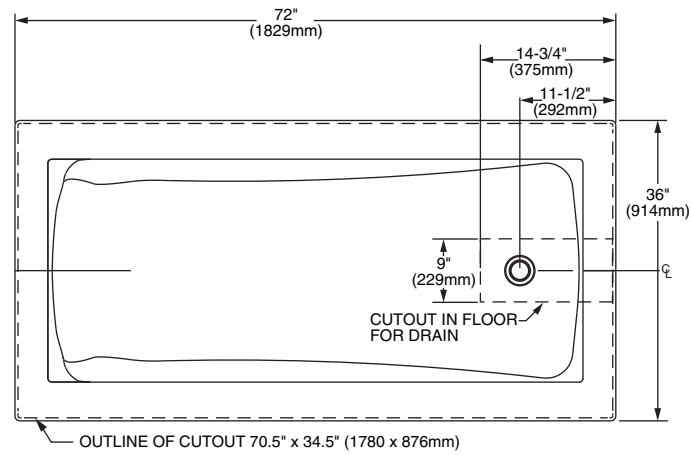


ROUGH-IN REFERENCES

MODEL SERIES 3572

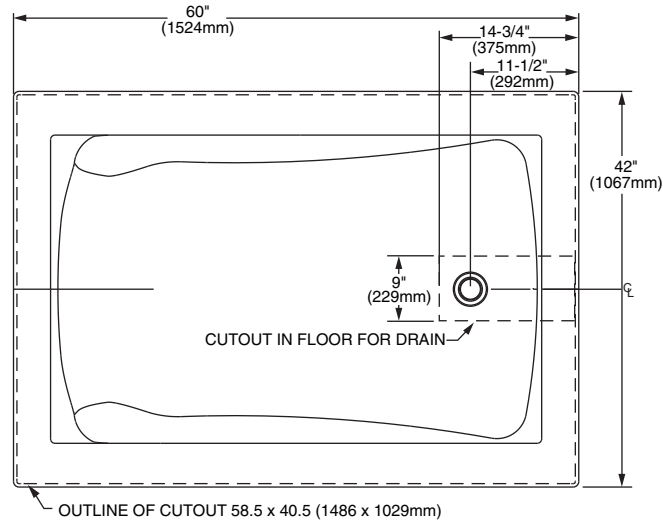


MODEL SERIES 3573



ROUGH-IN REFERENCES

MODEL SERIES 3574



MODEL SERIES 3575

