

Walk-In Bath

3151 SERIES 31" X 51"
SOAKING TUB, AIR SPA & WHIRLPOOL

American Standard

Style That Works Better

americanstandard.com

SAFETY. COMFORT. BEAUTY. VALUE.

There is no sacrifice with American Standard Walk-In Baths. Deep and spacious, all of our walk-in baths are thoughtfully designed to provide accessible and comfortable bathing experiences. Our Walk-In Baths offer popular features and beneficial options at a competitive price point well suited for all of your project needs. Choose a traditional soaking tub, or add the therapeutic benefits of a whirlpool, air spa or combination massage. Either way, you can trust American Standard to provide innovative features along with the quality, reliability, and service you have come to expect with our 130 year heritage.



MODEL 3151.201

- Gel coat walk-in bath
- 31" wide x 51" long x 38"
- Operating capacity: 55 gallons
- Color: white or linen
- Left hand or right hand door and drain



Quick Drain®

Our exclusive Quick Drain® technology empties tub in less than two minutes and requires no additional plumbing. Spend less time waiting with this patent pending innovation.

BUILT-IN FEATURES

- Free standing metal support frame
- Large walk-in tub door
- Built-in chair-height seat
- Color matched drain assembly and grab bar
- Textured tub floor
- Pump and fixture access panels
- Lifetime warranty on door seal; 10 year on the tub shell; 5 years on components

OPTIONS

- Whirlpool heater
- Chromotherapy
- Neck rest
- Universal Wall Surround
- 24" chrome grab bar
- Extension kit to fit into 60" space
- Quick Drain®



Whirlpool

Enjoy therapeutic benefits of deep massage



Air Spa

A gentle effervescent experience



Combination

Combines both Air Spa and Whirlpool systems for a full in-home spa experience.

31" X 51" WALK-IN BATH SERIES, SOAKING TUB, AIR SPA & WHIRLPOOL

3151.201.SXX Soaking Tub

- Gel coat with fiberglass reinforcement
- Free standing metal support frame with five adjustable leveling feet
- Easy access door system
- Contoured built-in seat
- Built-in grab bar and textured tub floor
- Faucet / accessory deck areas
- Tub extender to fit in standard 60" openings

3151.201.WXX Whirlpool system

- 1 HP variable flow pump system
- 12 adjustable massage jets
- Electronic control timer
- Automatic tub cleaning system - Ozone

3151.201.AXX Air Spa system

- Electronic control timer
- 1 HP variable flow heat blower
- Multiple seat and floor air injectors
- Automatic purge cycle

3151.201.CXX Combo system

- Combines Whirlpool and Air Spa System

Nominal Dimensions:

31" x 51" x 38"
(787 x 1295 x 965mm)

Compliance Certifications -

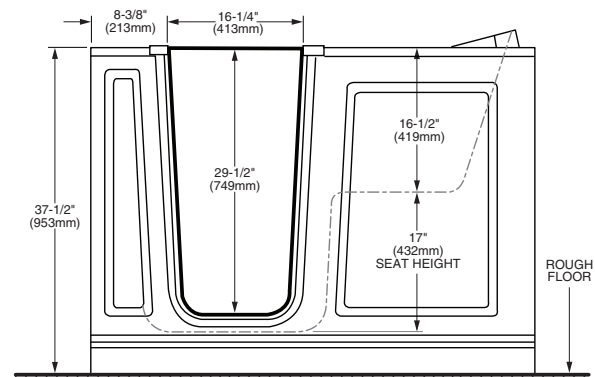
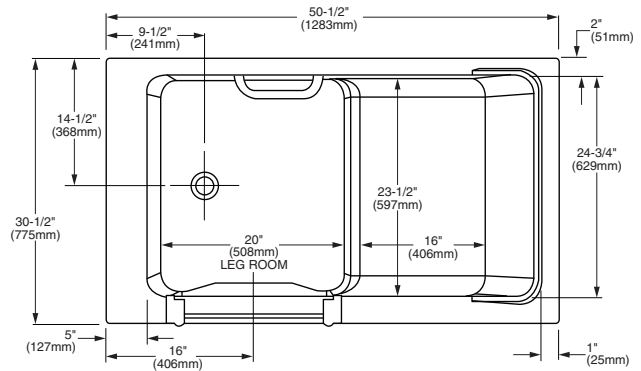
Meets or Exceeds the Following Specifications:

- ETL – INTERTEK SEMKO
- IAPMO - USPC
- ANSI Z 124.1.2 –for Plastic Bathtubs
- ASME A112.19.7 – Whirlpool Appliances
- ASME A112.19.15 –for Walk-in Bathtubs
- CSA B-45.5 – Canadian Plumbing Fixtures

To Be Specified - Required:

- Drain Configuration: Left (L) Or Right (R)
- Color: White (W) Or Linen (L)
- Faucet: 9FHS
- Whirlpool Heater*: 9ILH
(Whirlpool & Combo System Only)
- Chromatherapy: 9CTP
- Neck Rest: 9NR
- Handshower Glide Bar: 9HSB
- 24 inch Grab Bar: 9GB-24

* **NOTE:** The whirlpool heater is designed to maintain water temperature during operation. It will not heat cold water to desired bathing temperature.



GENERAL SPECIFICATIONS FOR 3151.201 WALK-IN BATHING TUB	
INSTALLED SIZE	50-1/2 x 30-1/2 x 37-1/2 In. (1283 x 755 x 953mm)
WEIGHT	150 Lbs. (68 Kg.)
WEIGHT w/WATER	525 Lbs. (238 Kg.)
OPERATING GALLON	55 Gal. (208 L.)
FLOOR LOADING (PROJECTED AREA)	49 Lbs./Sq. Ft. (240.25 Kgs/Sq. m.)
CUBE (FT ³)	33.4

NOTES:

TUB IS SUPPORTED BY THE FRAME AND FIVE INTEGRATED ADJUSTABLE FEET, NO ADDITIONAL SUPPORT IS REQUIRED.

REFER TO INSTALLATION INSTRUCTIONS SUPPLIED WITH TUB FOR ADDITIONAL INFORMATION.

FAUCETS NOT INCLUDED AND MUST BE ORDERED SEPARATELY.

PROVIDE SUITABLE REINFORCEMENT TO SUB FLOOR FOR ALL SUPPORTS.

IMPORTANT: Dimensions of fixtures are nominal, may vary and are subject to change or cancellation. No responsibility is assumed for use of superseded or voided leaflet.