

**CONCEALED TRAPWAY CADET® 3
RIGHT HEIGHT™ ELONGATED TOILET**

- 2985.001**
 - Vitreous china
 - Low-consumption (6.0 Lpf/1.6 gpf)
 - 305mm (12") rough-in
 - 16-1/2" rim height for accessible applications
 - EverClean® surface inhibits the growth of stain- and odor-causing bacteria, mold, and mildew on the surface
 - Features the **Cadet® 3 Flushing System**
 - Elongated siphon action jetted bowl with smooth-sided, concealed trapway
 - Generous 9" x 8" water surface area
 - PowerWash™ rim scrubs bowl with pressurized water every flush
 - Oversized 3" flush valve
 - Chrome-plated trip lever
 - Includes top mounting, plastic Slow-Close seat and cover with easy lift-off feature for simple removal and attachment for cleaning, packed with bowl
 - 2 color-matched bolt hole covers
 - 100% factory flush tested
 - Lifetime warranty on chinaware, 5 year warranty on all mechanical parts, and 1 year warranty on seat

- 3075.000** Right Height™ Elongated Bowl with Seat

- 4000.001** Tank

Nominal Dimensions:

768 x 400 x 768mm

(30-1/4" x 15-3/4" x 30-1/4")

Fixture and toilet seat only, supply by others

Compliance Certifications -

Meets or Exceeds the Following Specifications:

- ASME A112.19.2-2008/CSA B45.1-08 for Vitreous China Fixtures

To Be Specified:

- Color: White
- Supply with stop:



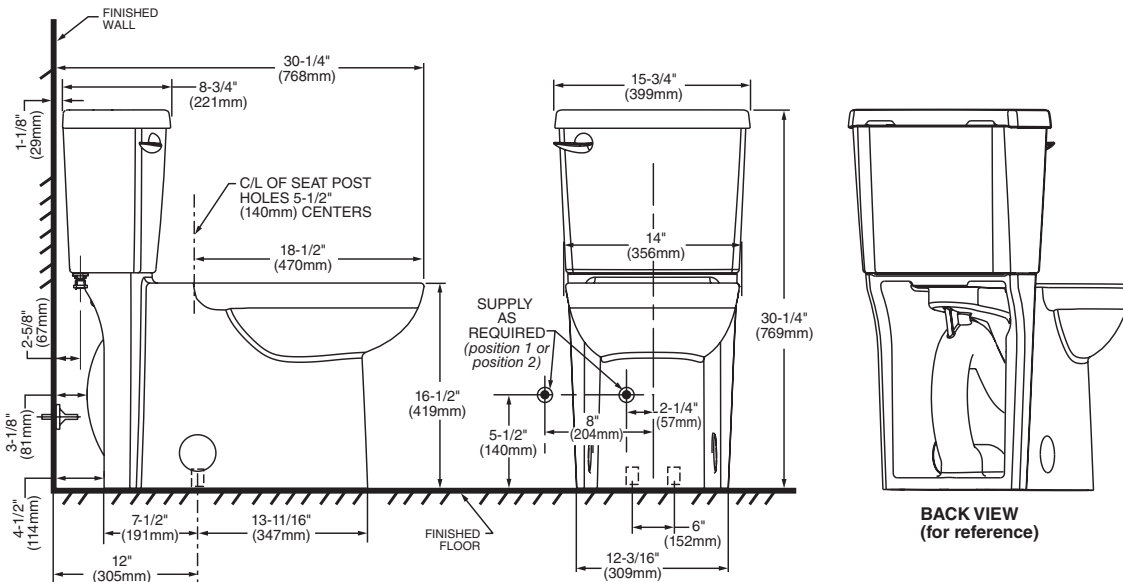
SEE REVERSE FOR ROUGHING-IN DIMENSIONS



MEETS THE AMERICANS WITH DISABILITIES ACT GUIDELINES AND ANSI A117.1 REQUIREMENTS FOR ACCESSIBLE AND USABLE BUILDING FACILITIES-CHECK LOCAL CODES.

CADET® 3
Flushing System

**CONCEALED TRAPWAY CADET® 3
RIGHT HEIGHT™ ELONGATED TOILET**
VITREOUS CHINA



IMPORTANT: Water supply on the wall is required at 2-1/4" or 8" from centerline of the toilet (see rough-in). First suggested position is hidden behind the toilet. The geometry of the toilet gives space for this installation. The second suggested position is next to the toilet. Between these two positions, the space for the supply between wall and toilet is limited to 4-1/2". In this case, check your supply and hose dimensions.

NOTES:

THIS COMBINATION IS DESIGNED TO ROUGH-IN AT A MINIMUM DIMENSION OF 305MM (12") FROM FINISHED WALL TO C/L OF OUTLET.
* DIMENSIONS SHOWN FOR LOCATION OF SUPPLY ARE SUGGESTED.
SUPPLY NOT INCLUDED WITH FIXTURE AND MUST BE ORDERED SEPARATELY.

IMPORTANT: Dimensions of fixtures are nominal and may vary within the range of tolerance established by ANSI Standard A112.19.2. These measurements are subject to change or cancellation. No responsibility is assumed for use of superseded or voided pages.



MEETS THE AMERICANS WITH DISABILITIES ACT GUIDELINES AND ANSI A117.1 REQUIREMENTS FOR ACCESSIBLE AND USABLE BUILDING FACILITIES-CHECK LOCAL CODES.