



CONCEALED TRAPWAY CADET® 3 FloWise® RIGHT HEIGHT® ROUND FRONT TOILET

VITREOUS CHINA

BARRIER FREE

CONCEALED TRAPWAY CADET® 3 FloWise® RIGHT HEIGHT® ROUND FRONT TOILET

- 2988.101**
 - Vitreous china
 - Meets definition for HET (High Efficiency Toilet)
 - High efficiency (4.8 Lpf/1.28 gpf)
 - Meets EPA WaterSense® criteria
 - 305mm (12") rough-in
 - 16-1/2" rim height for accessible applications
 - EverClean® surface inhibits the growth of stain- and odor-causing bacteria, mold, and mildew on the surface
 - Features the **Cadet® 3 Flushing System**
 - Round Front siphon action jetted bowl with smooth-sided, concealed trapway
 - Generous 9" x 8" water surface area
 - PowerWash® rim scrubs bowl with each flush
 - Oversized 3" flush valve
 - Chrome-plated trip lever
 - Includes top mounting, plastic Slow-Close seat and cover with easy lift-off feature for simple removal and attachment for cleaning, packed with bowl
 - 2 color-matched bolt hole covers
 - Lifetime warranty on chinaware, 5 year warranty on all mechanical parts, and 1 year warranty on seat

- 2989.813** Same as above except with trip lever on right hand side
- 3053.000** Right Height® Round Front Bowl with Seat
- 4000.101** Tank
- 4000.813** Tank with right hand trip lever

Nominal Dimensions:

718 x 400 x 781mm (28-1/4" x 15-3/4" x 30-3/4")

Fixture and toilet seat only, supply by others

Compliance Certifications -

Meets or Exceeds the Following Specifications:

- ASME A112.19.2-2008/CSA B45.1-08 for Vitreous China Fixtures
- US EPA WaterSense® Specification for HET's (Pending)

To Be Specified:

- Color: White
- Supply with stop:



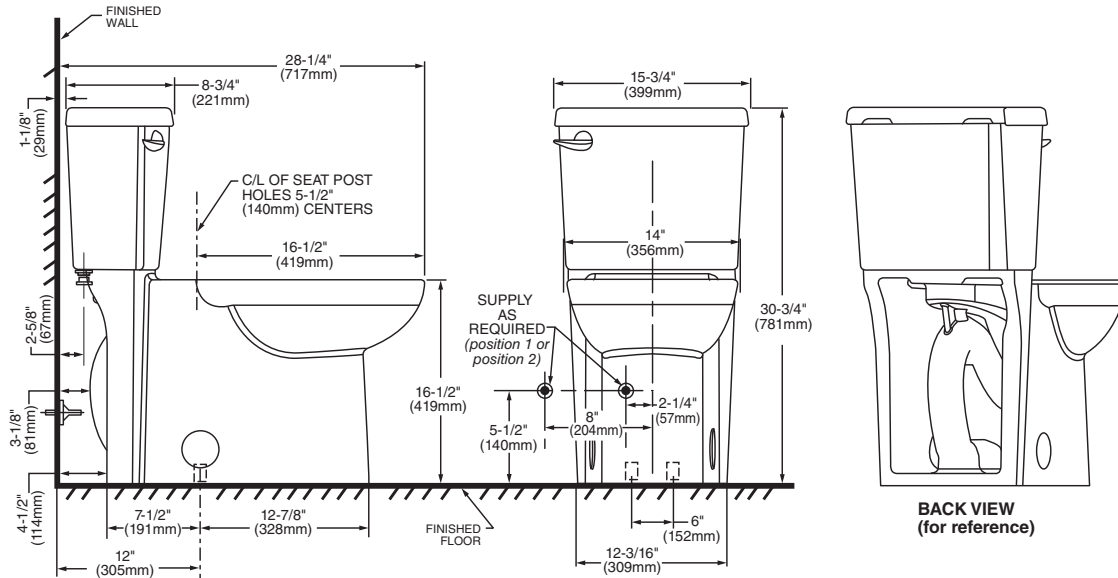
SEE REVERSE FOR ROUGHING-IN DIMENSIONS



MEETS THE AMERICANS WITH DISABILITIES ACT GUIDELINES AND ICC ANSI A117.1 REQUIREMENTS FOR ACCESSIBLE AND USABLE BUILDING FACILITIES-CHECK LOCAL CODES.



CADET® 3
Flushing System



IMPORTANT: Water supply on the wall is required at 2-1/4" or 8" from centerline of the toilet (see rough-in). First suggested position is hidden behind the toilet. The geometry of the toilet gives space for this installation. The second suggested position is next to the toilet. Between these two positions, the space for the supply between wall and toilet is limited to 4-1/2". In this case, check your supply and hose dimensions.

NOTES:

THIS COMBINATION IS DESIGNED TO ROUGH-IN AT A MINIMUM DIMENSION OF 305MM (12") FROM FINISHED WALL TO C/L OF OUTLET.
* DIMENSIONS SHOWN FOR LOCATION OF SUPPLY ARE SUGGESTED.
SUPPLY NOT INCLUDED WITH FIXTURE AND MUST BE ORDERED SEPARATELY.

IMPORTANT: Dimensions of fixtures are nominal and may vary within the range of tolerance established by ANSI Standard A112.19.2. These measurements are subject to change or cancellation. No responsibility is assumed for use of superseded or voided pages.



MEETS THE AMERICANS WITH DISABILITIES ACT GUIDELINES AND ICC ANSI A117.1 REQUIREMENTS FOR ACCESSIBLE AND USABLE BUILDING FACILITIES-CHECK LOCAL CODES.