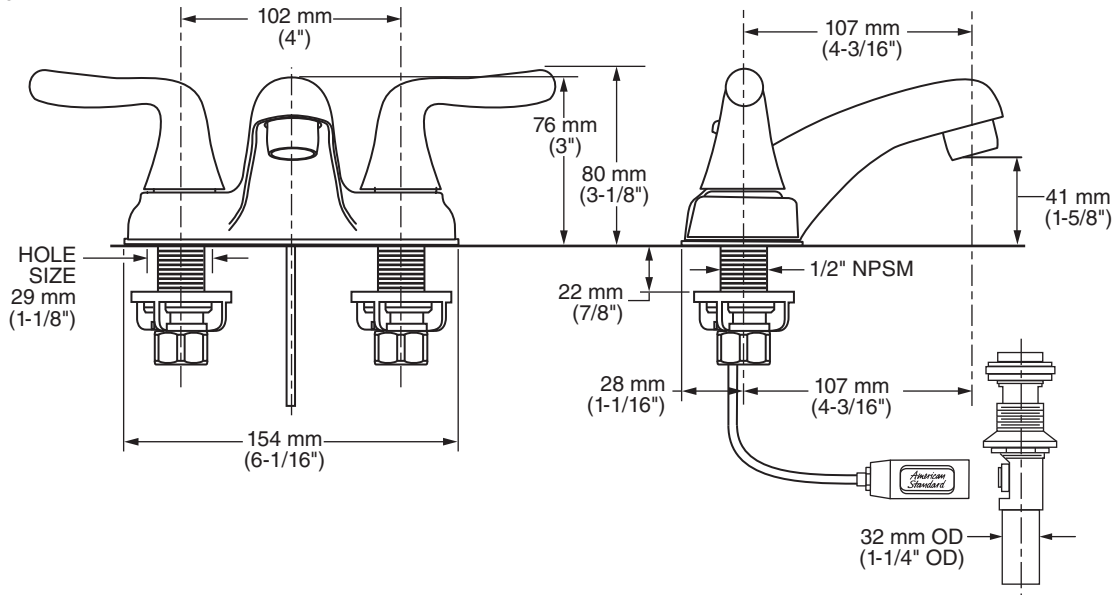


2275.503 Shown

**MODEL NUMBER:**

- ❑ **2275.503 Colony Soft 2 Handle Centerset**  
Lever handles. Non-metallic Speed Connect® pop-up drain.
- ❑ **2275.509 Colony Soft 2 Handle Centerset**  
Lever handles. Metal Speed Connect® pop-up drain.



**GENERAL DESCRIPTION:**

Centerset lavatory faucet on 4" centers. 1/4 turn washerless ceramic disc valve cartridges. Durable cast brass waterways with one-half inch male inlet shanks. Metal body. Color matched underbody. Lever handles. 20" (500 mm) long flexible stainless steel drain cable is pre-assembled to faucet body. Metal Speed Connect® drain body with 1-1/4 inch (32mm) tail piece, (2275.509). Non-Metallic Speed Connect drain body with 1-1/4 inch (32 mm) tail piece, (2275.503). 1.2 gpm/4.5 L/min. maximum flow rate.

**PRODUCT FEATURES:**

- Cast Brass Waterway with "City Shanks":** Strong and durable. Integral tabs on casting provide a wobble-free installation.
- Ceramic Disc Valve Cartridge:** Assures a lifetime of smooth handle operation and drip-free performance.
- Exclusive Speed Connect Metal Drain:**
  - Fewer parts. Installs in less time.
  - No adjustments required - seals the first time, every time.
  - Flexible stainless steel cable - installs effortlessly in tight spaces.
- Lead Free:** Faucet contains ≤ 0.25% total lead content by weighted average.
- Longer Spout:** Provides extended reach into lavatory.
- Simple Installation:** Fast and easy one person installation. Faucet drops in from top. Quick spin nuts secure faucet in place.

**SUGGESTED SPECIFICATION**

Two-handle 4" centerset lavatory faucet shall feature a cast brass waterway. Shall also feature 1/4 turn washerless ceramic disc valve cartridges. Shall also feature a drain body with stainless steel cable actuation. Fitting shall be American Standard Model # 2275.\_\_\_\_.\_\_\_\_\_.

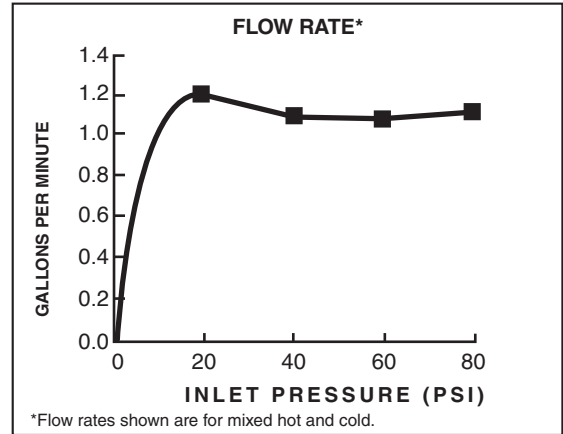


# COLONY® SOFT TWO-HANDLE CENTERSET LAVATORY FAUCET

## CODES AND STANDARDS

These products meet or exceed the following codes and standards:

- ANSI A117.1
- ASME A112.18.1
- NSF 61/Section 9 and Annex G
- CSA B125.1



Product Number	Description		Finish Options	
			Polished Chrome	PVD Satin Nickel
			002	295
2275.503	Colony Soft 2 Handle Centerset. Lever handles. Non-metallic Speed Connect® pop-up drain.			
2275.509	Colony Soft 2 Handle Centerset. Lever handles. Metal Speed Connect pop-up drain.			

Meets the American Disabilities Act Guidelines and ANSI A117.1 Requirements for the physically challenged.

AERATOR MODIFICATIONS***	Parts Suffix**
0.5 gpm (1.9 Lpm) PCA* Spray	___F05
0.5 gpm (1.9 Lpm) Vandal Resistant PCA Spray	___V05
1.0 gpm (3.8 Lpm) PCA Aerator	___F10
1.0 gpm (3.8 Lpm) Vandal Resistant PCA Aerator	___V10
1.2 gpm (4.5 Lpm) Vandal Resistant PCA Aerator	___V12
1.5 gpm (5.7 Lpm) Vandal Resistant PCA Aerator	___V15

AVAILABLE MODIFICATIONS***	Parts Suffix**
 Handles Indexed Installed (Red & Blue)	___RB

\*PCA — Pressure Compensating

\*\*To modify a product, add suffix after the 4th digit (ex. 2064**F05**101.002)

\*\*\*Modified product models are **NOT** WaterSense certified.