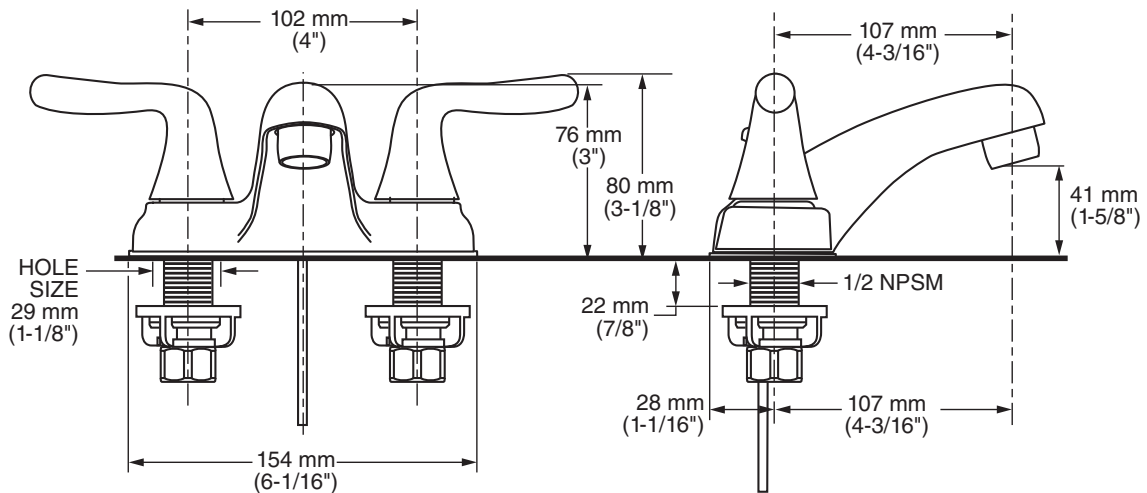


2275.500 Shown

MODEL NUMBER:

- 2275.500 Centerset Lavatory Faucet**
Lever handles. 50/50 Pop-up drain.
- 2275.505 Centerset Lavatory Faucet**
Lever handles. Less drain. With pop-up hole, plug button and rod.



GENERAL DESCRIPTION:

Centerset lavatory faucet on 4" centers. 1/4 turn washerless ceramic disc valve cartridges. Durable cast brass waterways with one-half inch male inlet shanks. Metal body. Color matched underbody. Lever handles. 1.2 gpm/4.5 L/min. maximum flow rate.

PRODUCT FEATURES:

Cast Brass Underbody with "City Shanks":

Strong and durable. Integral tabs on casting provide a wobble-free installation.

Ceramic Disc Valve Cartridge: Assures a lifetime of drip-free performance.

Lead Free: Faucet contains ≤ 0.25% total lead content by weighted average.

Longer Spout: Provides extended reach into lavatory.

Simple Installation: Fast and easy one person installation. Faucet drops in from top. Quick spin nuts secure faucet in place.

SUGGESTED SPECIFICATION

Two-handle 4" centerset lavatory faucet shall feature a cast brass waterway. Shall also feature 1/4 turn washerless ceramic disc valve cartridges. Shall also feature a metal drain body with stainless steel cable actuation. Fitting shall be American Standard Model # 2275._____.

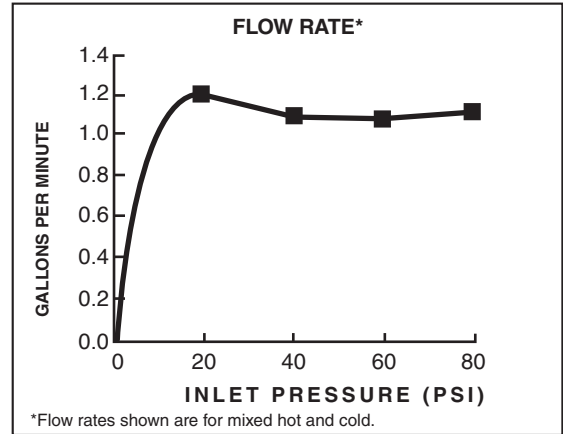


COLONY® SOFT TWO-HANDLE CENTERSET LAVATORY FAUCET

CODES AND STANDARDS

These products meet or exceed the following codes and standards:

- ANSI A117.1
- ASME A112.18.1
- NSF 61/Section 9 and Annex G
- CSA B125.1



Product Number	Description		Finish Options	
			Polished Chrome	PVD Satin Nickel
			002	295
2275.500	Centerset lavatory. Lever handles. 50/50 Pop-up drain.			
2275.505	Centerset lavatory. Lever handles. Less drain. With pop-up hole and rod.			

Meets the American Disabilities Act Guidelines and **ANSI A117.1** Requirements for the physically challenged.

AERATOR MODIFICATIONS***	Parts Suffix**
0.5 gpm (1.9 Lpm) PCA* Spray	___F05
0.5 gpm (1.9 Lpm) Vandal Resistant PCA Spray	___V05
1.0 gpm (3.8 Lpm) PCA Aerator	___F10
1.0 gpm (3.8 Lpm) Vandal Resistant PCA Aerator	___V10
1.2 gpm (4.5 Lpm) Vandal Resistant PCA Aerator	___V12
1.5 gpm (5.7 Lpm) Vandal Resistant PCA Aerator	___V15

AVAILABLE MODIFICATIONS***	Parts Suffix**
 Handles Indexed Installed (Red & Blue)	___RB

*PCA — Pressure Compensating

To modify a product, add suffix after the 4th digit (ex. 2064F05**101.002)

***Modified product models are **NOT** WaterSense certified.