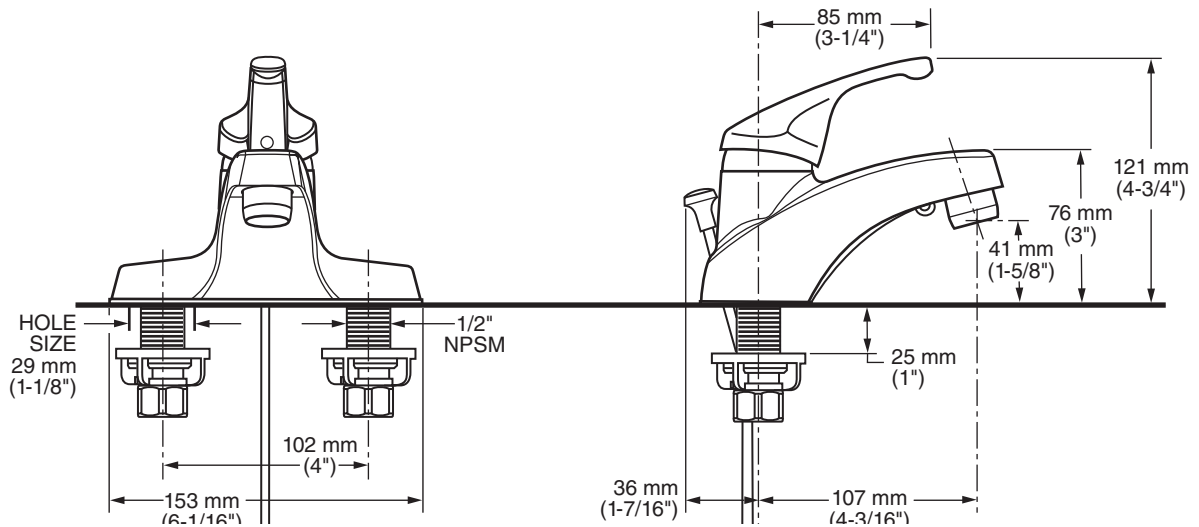


2175.200 Shown

MODEL NUMBER:

- ❑ **2175.200 Colony Single Control Centerset**
Metal lever handle. 50/50 Pop-up drain.
- ❑ **2175.202 Colony Single Control Centerset**
Metal lever handle. Pop-up drain.
- ❑ **2175.205 Colony Single Control Centerset**
Metal lever handle. Less drain. With pop-up hole, plug button and rod.



GENERAL DESCRIPTION:

Single control lavatory faucet on 4" centers. Washerless 40 mm ceramic disc valve cartridge. Cast brass waterway with 1/2" male threaded brass inlet shanks. Metal body. Notched underbody to receive chain and stopper. 1.2 gpm/4.5 L/min. maximum flow rate. Metal lever handle with large "comfort zone"

PRODUCT FEATURES:

- Cast Brass Underbody with "City Shanks":** Strong and durable. Integral tabs on casting provide a wobble-free installation.
- Ceramic Disc Valve Cartridge:** Assures a lifetime of drip-free performance.
- Lead Free:** Faucet contains $\leq 0.25\%$ total lead content by weighted average.
- Longer Spout:** Provides extended reach into lavatory.
- Memory Position Valving:** Allows user to turn valve on and off at preferred temperature setting without readjusting handle position each time.
- Large "Comfort Zone":** Allows easy fine tuning of temperature.
- Simple Installation:** Fast and easy one person installation. Faucet drops in from top. Quick spin nuts secure faucet in place.

SUGGESTED SPECIFICATION

Single control lavatory fitting shall feature cast brass waterways. Shall also feature washerless 40 mm ceramic disc valve cartridge. Fitting shall be American Standard Model # 2175.

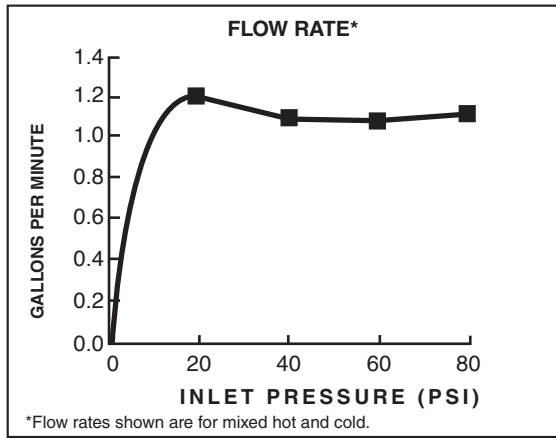


COLONY®
SINGLE CONTROL LAVATORY FAUCET

CODES AND STANDARDS

These products meet or exceed the following codes and standards:

- ANSI A117.1**
- ASME A112.18.1**
- NSF 61/Section 9 and Annex G**
- CSA B125.1**



Product Number	Description		Finish Option
			Polished Chrome
			002
2175.200	Colony Single Control Centerset. 50/50 Pop-up drain.		
2175.202	Colony Single Control Centerset. Metal pop-up drain.		
2175.205	Colony Single Control Centerset. Less drain. With pop-up hole and rod.		

Meets the American Disabilities Act Guidelines and **ANSI A117.1** Requirements for the physically challenged.

AERATOR MODIFICATIONS***	Parts Suffix**
0.5 gpm (1.9 Lpm) PCA* Spray	___F05
0.5 gpm (1.9 Lpm) Vandal Resistant PCA Spray	___V05
1.0 gpm (3.8 Lpm) PCA Aerator	___F10
1.0 gpm (3.8 Lpm) Vandal Resistant PCA Aerator	___V10
1.2 gpm (4.5 Lpm) Vandal Resistant PCA Aerator	___V12
1.5 gpm (5.7 Lpm) Vandal Resistant PCA Aerator	___V15

*PCA — Pressure Compensating
 To modify a product, add suffix after the 4th digit (ex. 2064F05**101.002)
 ***Modified product models are **NOT** WaterSense certified.