

# Installation Instructions

## 2064.461

### SERIN™ SINGLE CONTROL WALL MOUNT FAUCET IN-WALL LAVATORY FITTING



Certified to comply with ASME A112.18.1M  
U.S. Patent No. 5,819,789

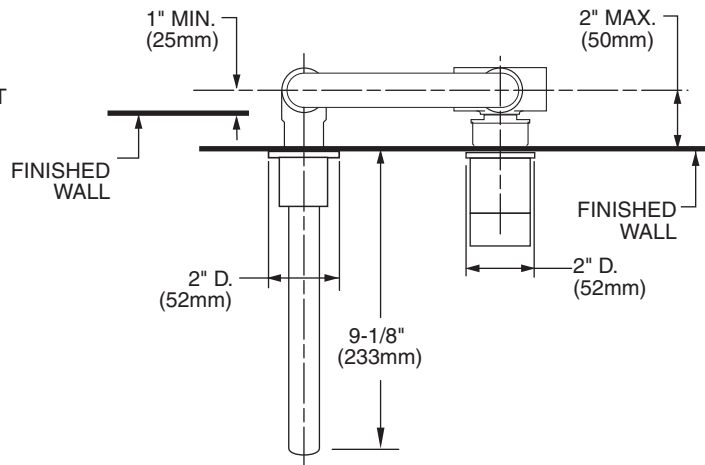
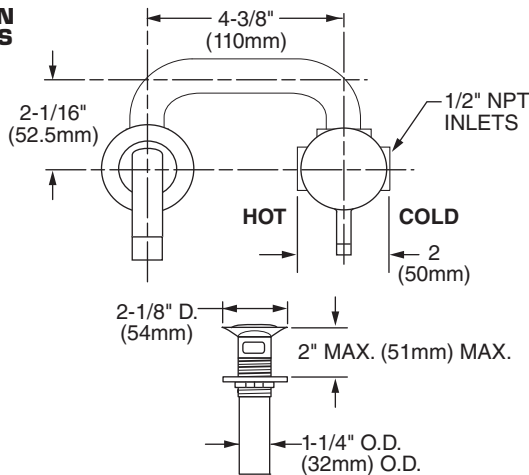
M968918 Rev.1.5 (4/15)

Thank you for selecting American-Standard...  
the benchmark of fine quality for over 100 years.

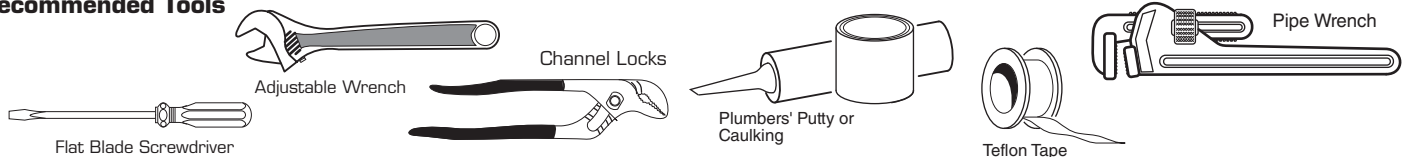
To ensure that your installation proceeds smoothly—  
please read these instructions carefully before you begin.

To ensure that your installation proceeds smoothly—please read these instructions carefully before you begin.

#### ROUGHING-IN DIMENSIONS



#### Recommended Tools



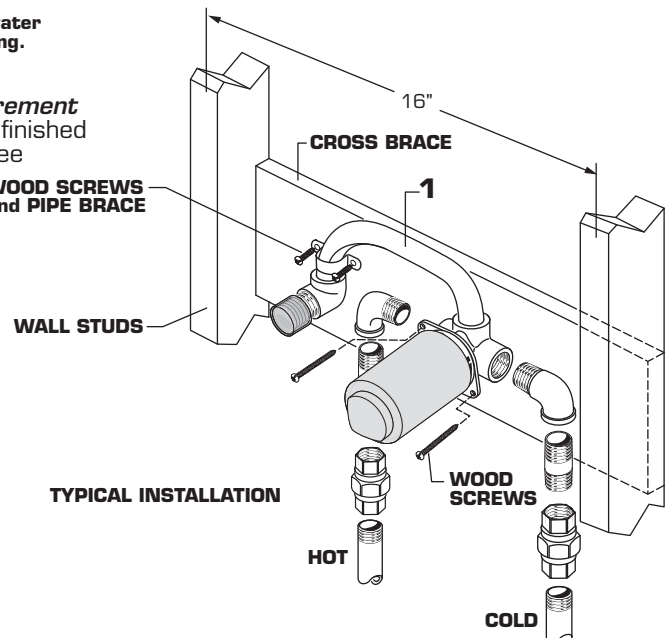
# 1

## INSTALL VALVE BODY

### CAUTION

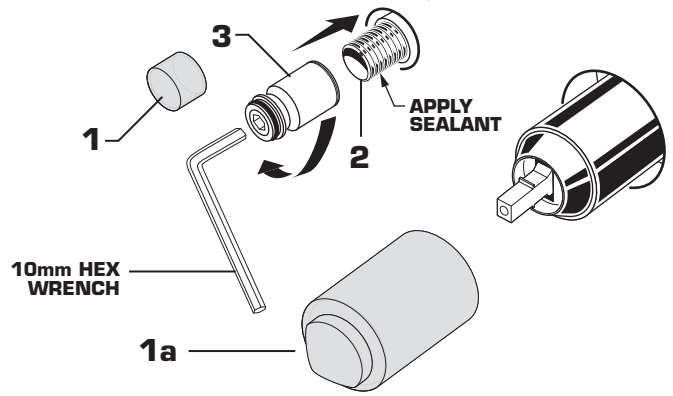
Turn off hot and cold water supplies before beginning.

- Determine where the finished wall location will be. **This measurement is very important!** Note: The rough-in measurement from the finished wall is; 1" minimum and 2" maximum. This is a 1" tolerance. See rough-in illustration above.
- Secure FAUCET BODY (1) to cross brace of wall structure at required height using two wood screws and and pipe brace.
- Connect HOT water supply to left VALVE inlet and COLD water supply to right VALVE inlet. Use pipe sealant or Teflon tape for all threaded connections. For sweat connections, do not make sweat connections directly to valve body. Damage to seals and and valve cartridge may occur. Remove all valve parts before making sweat connections to valve body.
- Turn valve to off position. Turn hot and cold supplies on and check fitting connections for leaks .
- Complete wall construction.



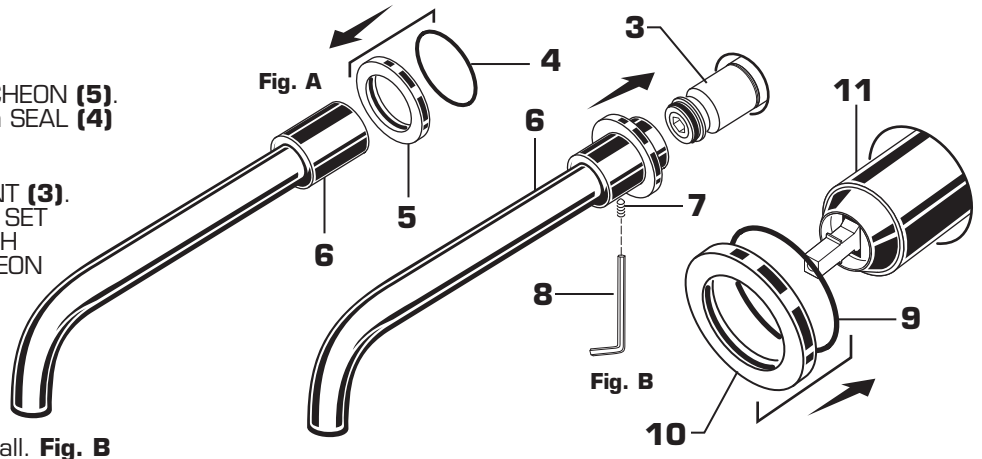
## 2 INSTALL WALL SPOUT

- Remove PLASTER GUARDS (1, 1a) from VALVE BODY and SPOUT NIPPLE (2).
- Apply thread sealant to SPOUT NIPPLE (2).
- Thread SPOUT MOUNT (3) onto SPOUT NIPPLE (2) using a 10mm Hex Wrench. Tighten completely.



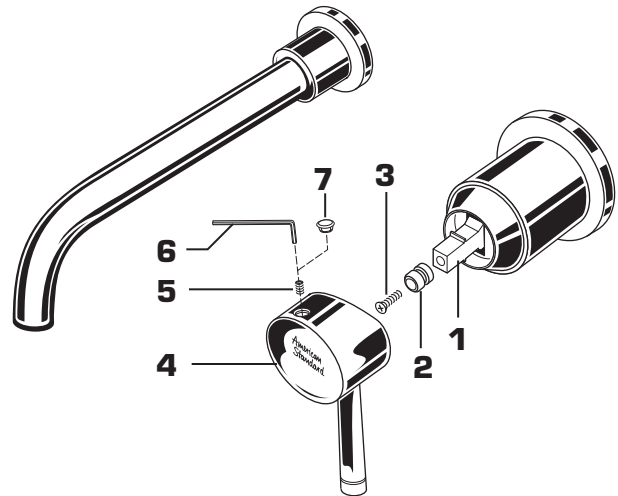
## 2a INSTALL WALL SPOUT

- Install SEAL (4) into SPOUT ESCUTCHEON (5). Place SPOUT ESCUTCHEON (5) with SEAL (4) onto SPOUT (6). Fig. A
- Push SPOUT (6) onto SPOUT MOUNT (3). Align SPOUT (6) and tighten SPOUT SET SCREW (7) with 2mm HEX WRENCH (8) supplied. Push SPOUT ESCUTCHEON (5) against finished wall.
- Install SEAL (9) into VALVE ESCUTCHEON (10). Place VALVE ESCUTCHEON (10) with SEAL (9) onto VALVE (11). Push VALVE ESCUTCHEON (10) against finished wall. Fig. B



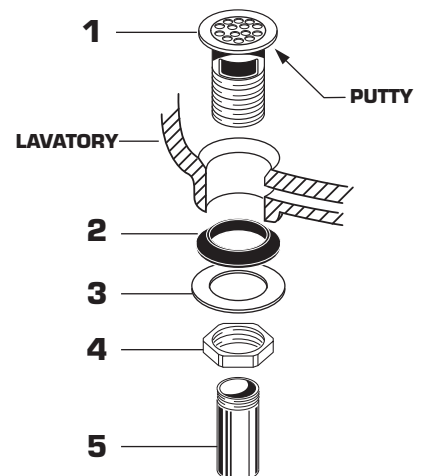
## 3 INSTALL HANDLE

- Push VALVE STEM (1) down to off position.
- Attach HANDLE ADAPTER (2) to VALVE STEM (1) with ADAPTER SCREW (3). Tighten fully.
- Install HANDLE (4) onto VALVE STEM (1) and tighten SET SCREW (5) with 2.5mm HEX WRENCH (6) supplied.
- Install PLUG BUTTON (7) into HANDLE (4).



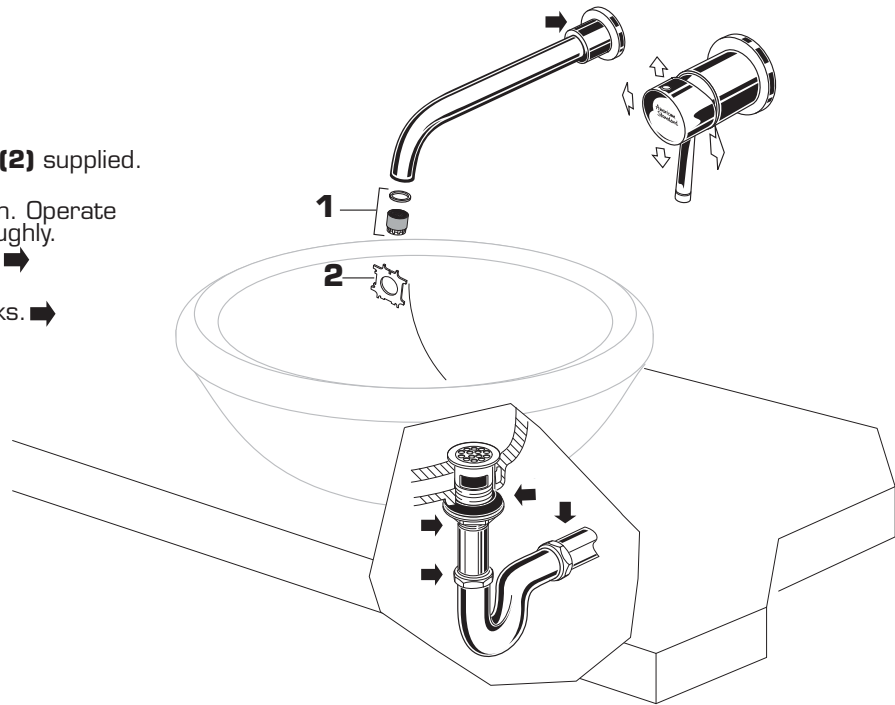
## 4 DRAIN INSTALLATION

- Apply a bead of PUTTY to underside of FLANGE on DRAIN BODY (1).
- Feed DRAIN BODY (1) down through lavatory.
- Assemble GASKET (2) WASHER (3) and LOCKNUT (4) onto DRAIN BODY (1). Tighten LOCKNUT (4) firmly.
- Apply Teflon Tape to TAILPIECE (5) and thread onto DRAIN BODY (1).



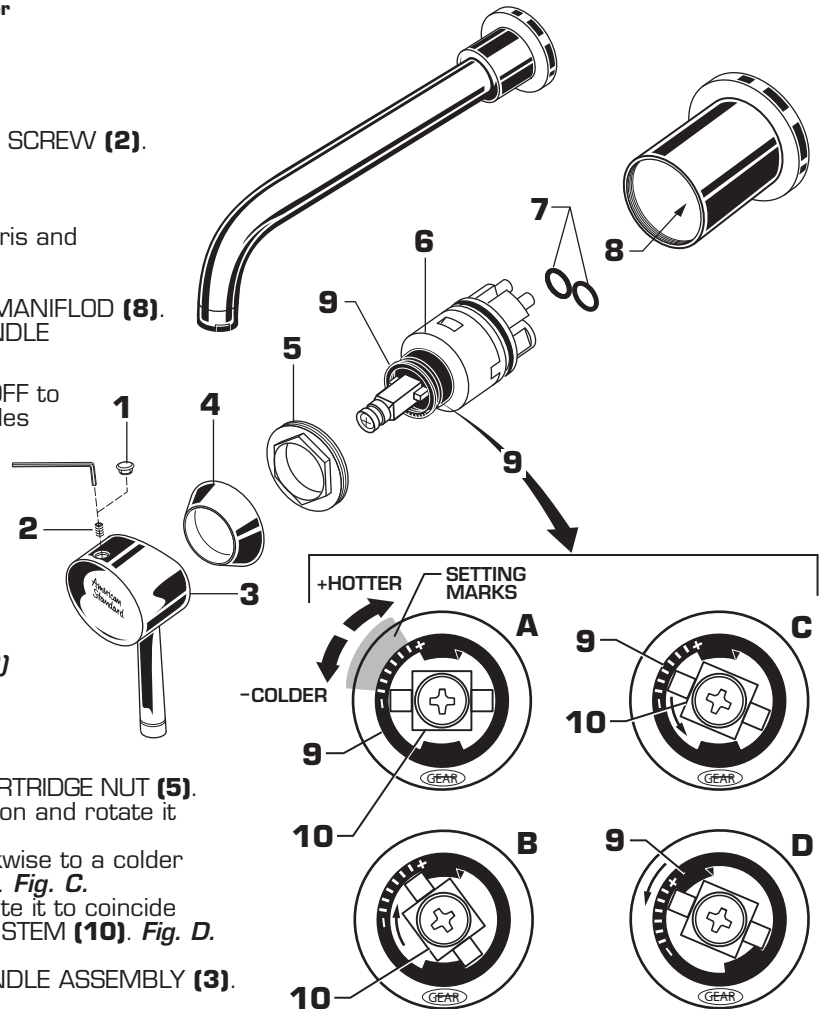
## 6 TEST INSTALLED FAUCET

- Turn HANDLE to "off" position.
- Remove AERATOR (1) using TOOL (2) supplied.
- Turn hot and cold water supplies on. Operate HANDLE to flush water lines thoroughly. Check spout connections for leaks. ➡
- Check all drain connections for leaks. ➡
- Turn handle to OFF position. Replace AERATOR (1).



## 7 SERVICE CAUTION Turn off hot and cold water supplies before beginning.

- To remove or replace cartridge
  - Turn valve to OFF position.
  - Pull out PLUG BUTTON (1) and remove HANDLE SCREW (2).
  - Pull off HANDLE (3) and CAP (4).
  - Unthread CARTRIDGE NUT (5) and remove.
  - Pull out CARTRIDGE (6).
  - Inspect CARTRIDGE (6) and O-RINGS (7) for debris and clean if necessary.
  - Clean MANIFOLD (8) and rinse clean.
  - Reinstall CARTRIDGE (6) and O-RINGS (7) onto MANIFOLD (8).
  - Reinstall CARTRIDGE NUT (5), CAP (4) and HANDLE ASSEMBLY (3).
- If spout drips, operate handle several times from OFF to ON and HOT to COLD position. Do not force - handles turn only 90°.



### ADJUST HOT LIMIT SAFETY STOP

By restricting HANDLE rotation and limiting the amount of hot water allowed to mix with the cold, the HOT LIMIT SAFETY STOP (9) reduces risk of accidental scalding. To lower the maximum hot water temperature of your faucet, all you need to do is adjust the setting on the HOT LIMIT SAFETY STOP (9). **Note: The HOT LIMIT SAFETY STOP (9) is set at the maximum hot temperature setting from the factory.**

- To adjust HOT LIMIT SAFETY STOP:
  - Remove HANDLE ASSEMBLY (3), CAP (4) and CARTRIDGE NUT (5).
  - Set the CARTRIDGE STEM (10) to the OFF position and rotate it clockwise until stops. *Fig. B.*
  - Rotate the CARTRIDGE STEM (10) counter-clockwise to a colder setting mark in the HOT LIMIT SAFETY STOP (9). *Fig. C.*
  - Lift up the HOT LIMIT SAFETY STOP (9) and rotate it to coincide again with the stop in the base of the CARTRIDGE STEM (10). *Fig. D.*
  - Replace the HOT LIMIT SAFETY STOP (9).
  - Reinstall CARTRIDGE NUT (5), CAP (4) and HANDLE ASSEMBLY (3).

## 8 CARE INSTRUCTIONS:

**DO: SIMPLY RINSE THE PRODUCT CLEAN WITH CLEAR WATER. DRY WITH A SOFT COTTON FLANNEL CLOTH.**

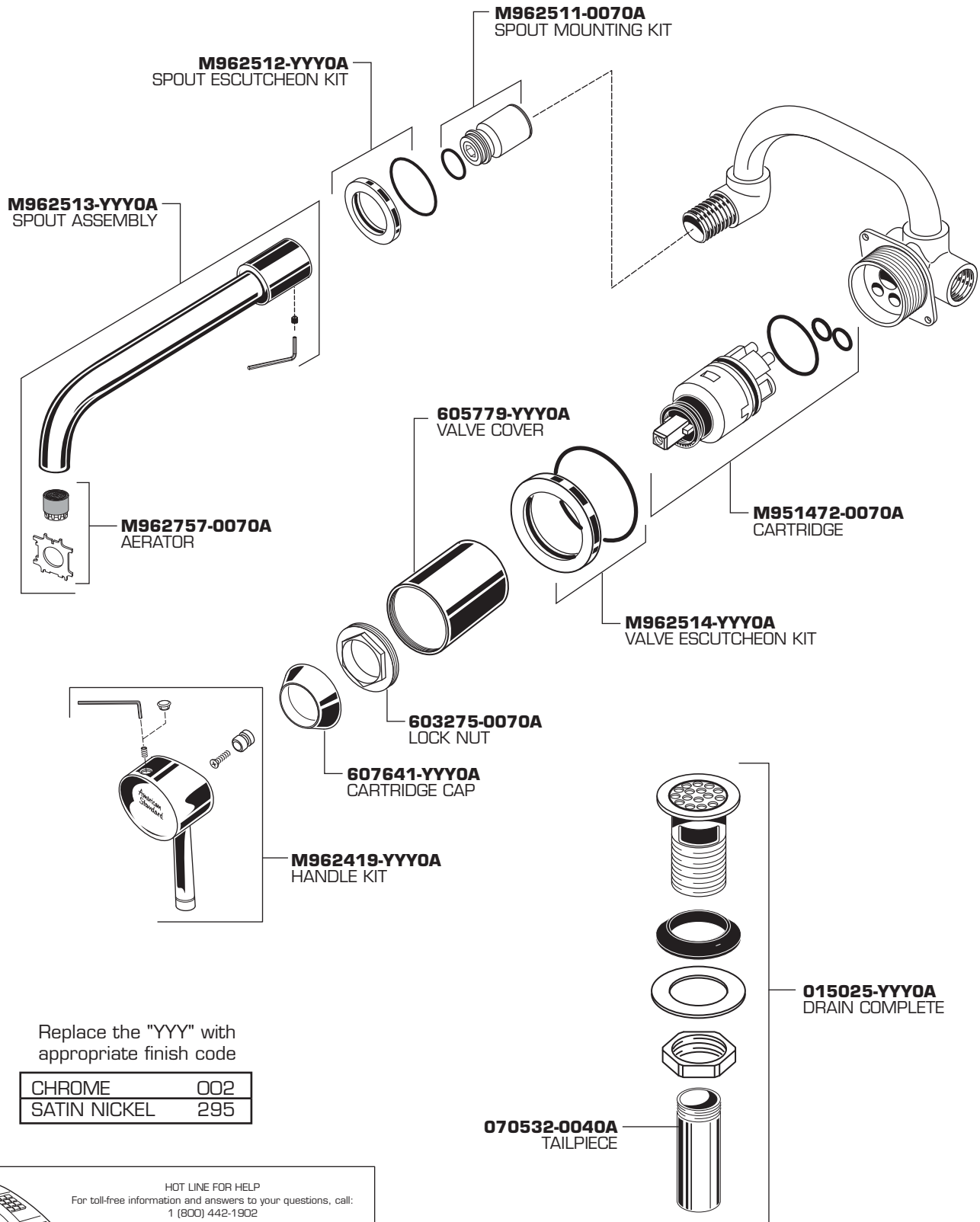
**DO NOT: DO NOT CLEAN THE PRODUCT WITH SOAPS, ACID, POLISH, ABRASIVES, HARSH CLEANERS, OR A CLOTH WITH A COARSE SURFACE.**

*American Standard*

**SERIN™**  
**SINGLE HANDLE WALL MOUNT**  
**LAVATORY FAUCET**

MODEL NUMBER

**2064.461**



Replace the "YYY" with appropriate finish code

CHROME	002
SATIN NICKEL	295



**HOT LINE FOR HELP**  
 For toll-free information and answers to your questions, call:  
 1 (800) 442-1902  
 Weekdays 8:00 a.m. to 6:00 p.m. EST  
 IN CANADA 1-800-387-0369 (TORONTO 1-905-306-1093)  
 Weekdays 8:00 a.m. to 7:00 p.m. EST  
 IN MEXICO 01-800-839-1200

Product names listed herein are trademarks of American Standard Inc.  
 © AS America, Inc. 2008