

Deb TF Ultra™ Dispenser




Attractively designed, power efficient touch free dispensing system for use with Deb foaming hand hygiene products.

USAGE

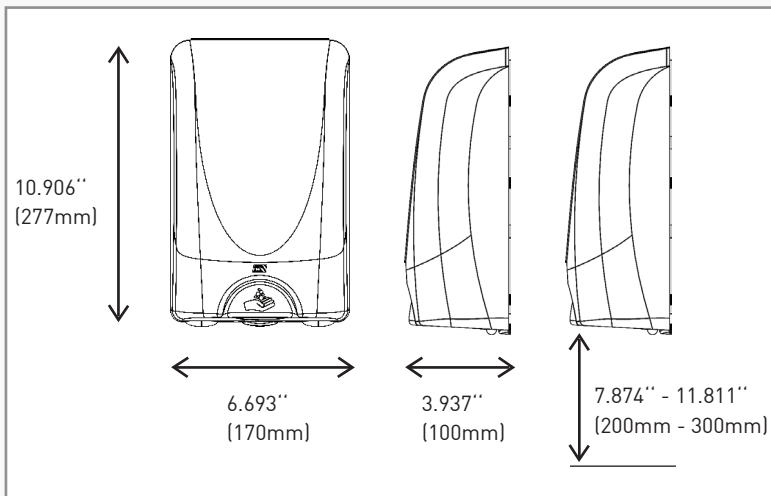
Suitable for use in any public facility washroom. Also, ideal for use in hallways, office and reception / lobby areas in conjunction with Deb InstantFOAM® hand sanitizer and dispenser stand.

METHOD OF USE

Simply hold hand under dispenser to activate. No touch required.

Feature	Benefit
'Touch Free' Dispenser	<ul style="list-style-type: none"> Encourages use and minimizes any risk of cross-contamination
Versatile	<ul style="list-style-type: none"> Can be used on walls in washrooms, corridors and hallways or on Deb's free-standing stand
Exceptionally Long Battery Life	<ul style="list-style-type: none"> The power provided by 4 D-Cell batteries will provide up to 5 years of operation in typical usage conditions
Reliable	<ul style="list-style-type: none"> Uses the latest infrared sensing technology for reliable operation to prevent misfiring
Large Capacity	<ul style="list-style-type: none"> Cartridges contain 1.2 liter of foam hand wash product providing approximately 1720 applications and 1 liter of Deb InstantFOAM alcohol hand sanitizer providing 1592 applications
BioCote® Protected	 <ul style="list-style-type: none"> Dispensers are protected by BioCote®, a silver-based antimicrobial agent that is incorporated during the manufacturing process and inhibits the growth of a broad spectrum of bacteria and molds BioCote® does not rub-off and is effective for the lifetime of the dispenser
Color Options	<ul style="list-style-type: none"> Available in a range of colors to match different decor environments
Lock and Keyless Option	<ul style="list-style-type: none"> For maximum security the dispenser can be locked and opened with the special key provided Alternatively it can be easily converted to a keyless, non-locking operation
Optional Catch Tray	<ul style="list-style-type: none"> Optional catch tray can be integrated to prevent product landing on floors if dispenser is accidentally activated or misused

TECHNICAL SPECIFICATIONS



DIMENSIONS

- 6.693" wide x 3.937" deep x 10.906" high
- Gross weight: 6.4lb (complete with batteries and cartridge)
- Ensure unit is located with appropriate space to each side and below

- Requires the use of 4 high quality Alkaline D-Cell batteries to maximize units operating time
- Fully ADA compliant
- WEEE regulation compliant
- ROHS directive compliant
- DO clean with a damp cloth
- DO NOT hose down or spray with water
- DO NOT use abrasive cleaners
- DO NOT use solvent based cleaners
- DO NOT use caustic or acid based cleaners

LIFETIME GUARANTEE

Malfunctioning or broken dispensers through normal wear and tear while using Deb products will either be repaired or replaced at no charge.

TF ULTRA DISPENSER OPTIONS AVAILABLE

Code	Dispenser	Color	Case QTY	Cartridge capacity	For use with
TF2CHR	TouchFREE Ultra	black & chrome	8	1.2 liter	CLR120TF, AZU120TF, RFW120TF, AFS120TF, AGB120TF, IFS1TF, PBF120TF, IFC1TF, ANT120TF, AFH120TF
TF2WHI	TouchFREE Ultra	white & chrome	8	1.2 liter	
AUTOINFCON	Deb InstantFOAM®	white	8	1 liter / 1.2 liter	IF1TF, AFS120TF, IFC1TF

Deb USA, Inc.

2815 Coliseum Centre Drive
Suite 600
Charlotte, NC 28217
USA
Tel: 800 248 7190
www.debgroup.com

This information and all further technical advice is based upon our present knowledge and experience. However, it implies no liability or other legal responsibility on our part, including with regard to existing third party intellectual property rights, especially patent rights. In particular, no warranty, whether express or implied, or guarantee of product properties in the legal sense is intended or implied. We reserve the right to make any changes according to technological progress or further developments.
© = is a registered trademark of Deb Group Ltd. or one of its subsidiaries.
© Deb Group Ltd 2017.



Make Hands Matter in the Workplace