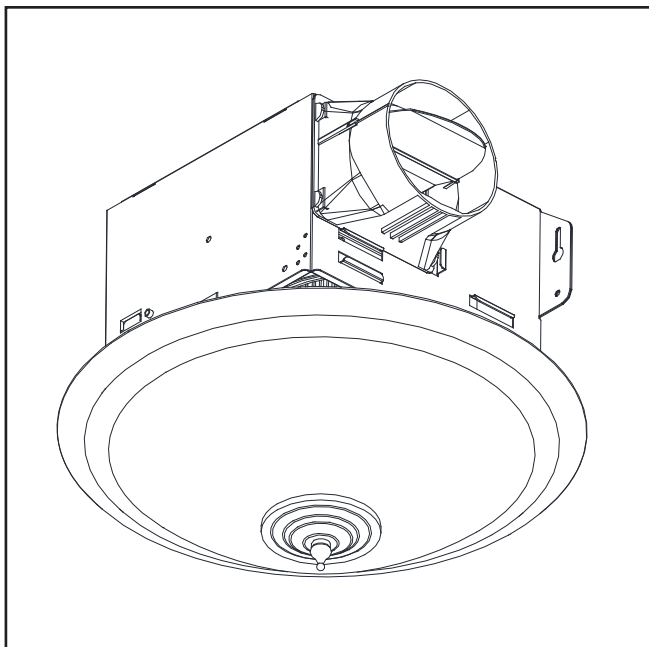


# BATH FAN / LED LIGHT

MODEL GBR100LED-DECOR



## TABLE OF CONTENTS

Package Contents	2
General Safety Information	3
Preparation	4
Assembly Instructions	5
New Construction	5
Existing Construction	6
Glass shade installation	7
Care and Maintenance	8
Troubleshooting	9
Dimensions	10
Product Specifications	10
List of Compatible Dimmers	10
Warranty	11

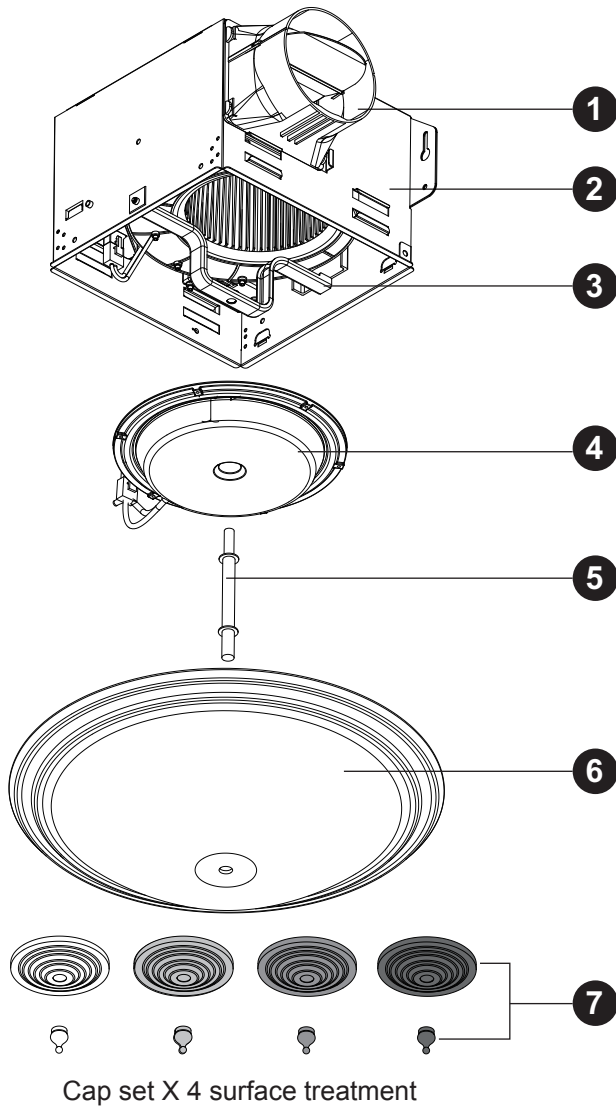
## READ AND SAVE THESE INSTRUCTIONS

Address: 46101 Fremont Boulevard, Fremont, CA 94538

US Toll Free Number: 1-888-979-9889

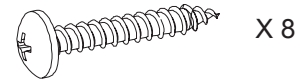
[www.deltabreez.com](http://www.deltabreez.com)

## PACKAGE CONTENTS



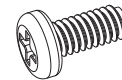
PART	DESCRIPTION	QTY
1	Duct Connector	1
2	Fan Body	1
3	Grille Bracket	1
4	LED Module	1
5	Rod	1
6	Glass Shade	1
7	Decorative Caps and Finial Nuts: chrome, brushed nickel, brushed bronze, and polished white	4 sets

### HARDWARE CONTENTS (Images are to scale)



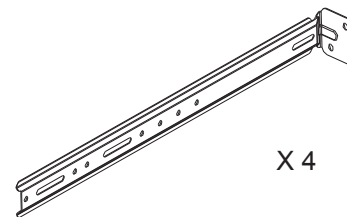
X 8

Long Wood Screw (  $\varnothing$  4 x 25)



X 4

Machine Screw ( #8-32 x 5/16"



X 4

Suspension Bracket

## GENERAL SAFETY INFORMATION

### READ AND SAVE THESE INSTRUCTIONS

#### GENERAL SAFETY INFORMATION

1. Make sure that the electric service supply voltage is AC 120V, 60Hz.
2. Follow all local electrical and safety codes, as well as the National Electrical Code (NEC) and the Occupational Safety and Health Act (OSH Act).
3. Always disconnect the power source before working on or near the ventilating fan, motor or junction box.
4. Protect the power cord from sharp edges, oil, grease, hot surfaces, chemicals or other objects.
5. Do not kink the power cord.
6. Do not install the unit where ducts are configured as shown in Fig.A.
7. Provide suction parts with proper ventilation.
8. This unit is UL Listed for use over a bathtub or shower when installed in a GFCI protected branch circuit.
7. If this unit is to be installed over a tub or shower, it must be marked as appropriate for the application and be connected to a GFCI (Ground Fault Circuit Interrupter) – protected branch circuit.
8. Do not use this unit with any other solid-state control device. Solid-state control device may cause harmonic distortion, which can cause a motor humming noise.
9. NEVER place a switch where it can be reached from a tub or shower.
10. Not to be installed in a ceiling thermally insulated to a value greater than R50. (This is required for installation in Canada only).

#### WARNING

TO REDUCE THE RISK OF FIRE, ELECTRIC SHOCK, OR INJURY TO PERSONS, OBSERVE THE FOLLOWING:

1. Use this unit only in the manner intended by the manufacturer. If you have questions, contact the manufacturer.
2. Before servicing or cleaning unit, switch power off at the service panel and lock the service disconnecting means to prevent the power from being switched on accidentally. When the service disconnecting means cannot be locked, securely fasten a prominent warning device, such as a tag, to the service panel.
3. Installation work and electrical wiring must be done by a qualified person(s) in accordance with all applicable codes and standards, including fire-rated construction.
4. Sufficient air is needed for proper combustion and exhausting of gases through the flue (chimney) of fuel burning equipment to prevent backdrafting. Follow the heating equipment manufacturer's guideline and safety standards such as those published by the National Fire Protection Association (NFPA), and the American Society of Heating, Refrigerating and Air-Conditioning Engineers (ASHRAE) and local code authorities.
5. When cutting or drilling into the wall or ceiling, do not damage electrical wiring and other hidden utilities.
6. Ducted fans must always be vented to the outdoors.

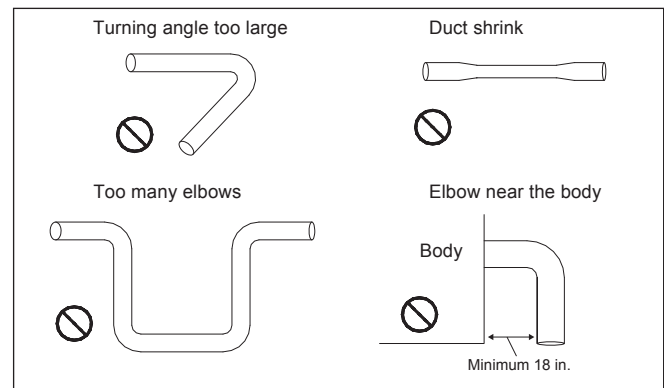


Fig. A

#### CAUTION

1. For general ventilating use only. Do not use to exhaust hazardous or explosive materials and vapors.
2. Not for use in cooking areas. (Fig.B)
3. This product must properly connect to the grounding conductor of the supply circuit.
4. To reduce the risk of injury to persons, install the fan at least 8.2 feet (2.5m) above the floor.

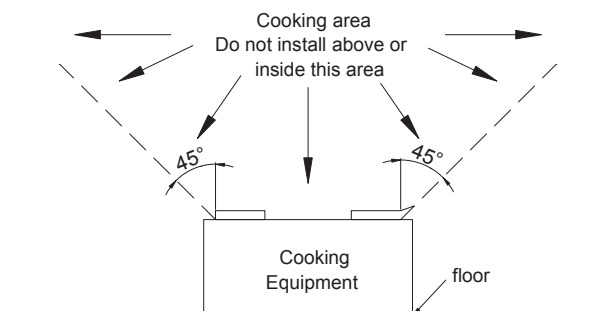


Fig. B

## PREPARATION

Tools Required for Assembly (not included): Hammer, Flathead Screwdriver, Wire Nuts, Nails, Duct Tape, Phillips Head Screwdriver, Utility Knife

Helpful Tools (not included): Electric Drill, Drill Bits

**WARNING: Turn off electricity at breaker box before beginning installation.**

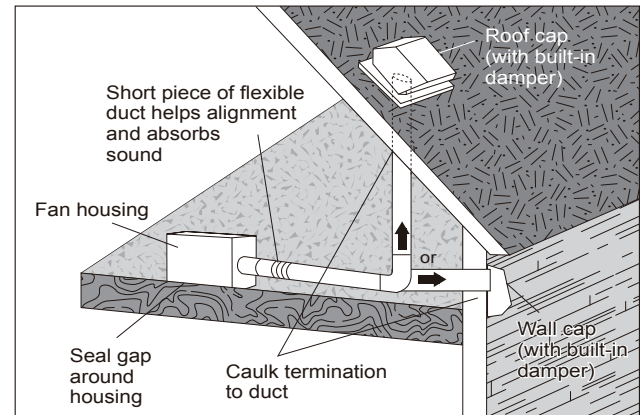
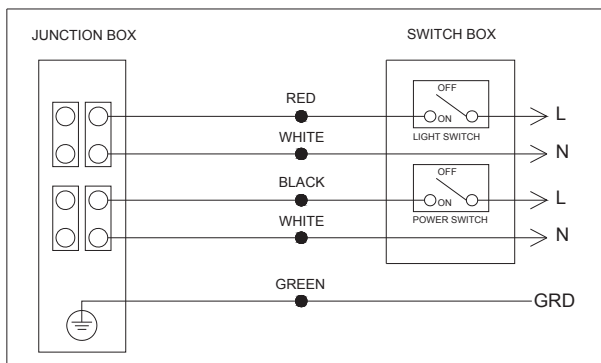
- Carefully remove unit from carton.
- Check area above installation location to be sure that wiring can run to the planned location and that duct work can be run. Make sure the area is sufficient for proper ventilation.
- Inspect duct work and wiring before proceeding with installation.
- Before installation, provide inspection and future maintenance access at a location that will not interfere with installation work.
- You may need the help of a second person to install this fan: one person on the attic side and one on the room side.

Note: Installations may vary depending on how the previous bath fan was installed. Supplies necessary for the installation of your bath fan are not all included. However, most are available at your local home improvement or hardware store.

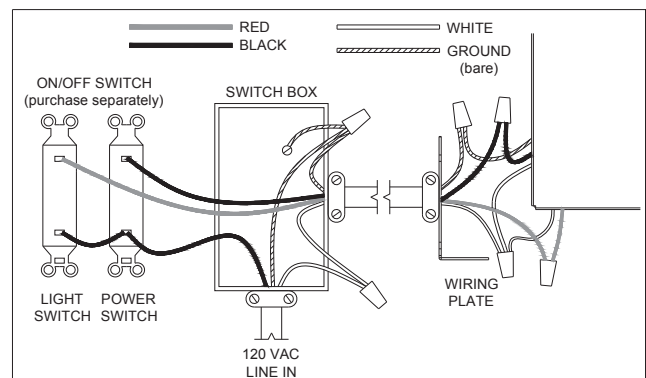
### DIMENSION REQUIREMENTS

Housing Dimension (L)	Housing Dimension (W)	Housing Dimension (H)
8 in.	8 1/4 in.	5 3/4 in.

### WIRING DIAGRAM



- Proper insulation around the fan to minimize building heat loss and gain. The ducting from this fan to the outside of the building has a strong effect on the air flow, noise and energy use of the fan. Use the shortest, straightest duct routing possible for best performance, and avoid installing the fan with smaller ducts than recommended. Insulation around the ducts can reduce energy loss and inhibit mold growth. Fans installed with existing ducts may not achieve their rated air flow.
- Locate unit above (GFCI-protected circuit required) or within 5 feet of the shower head.
- Locate unit away from heating or cooling sources which can affect humidity levels.
- Do not locate near window. Unit may respond to the outdoor humidity level.
- Use a roof cap or wall cap that has a built-in damper to reduce backdrafts.



# ASSEMBLY INSTRUCTIONS

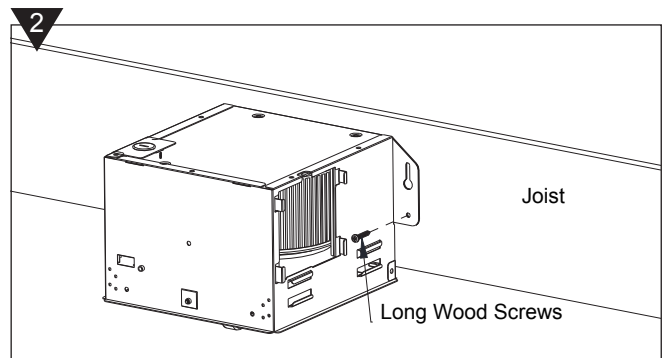
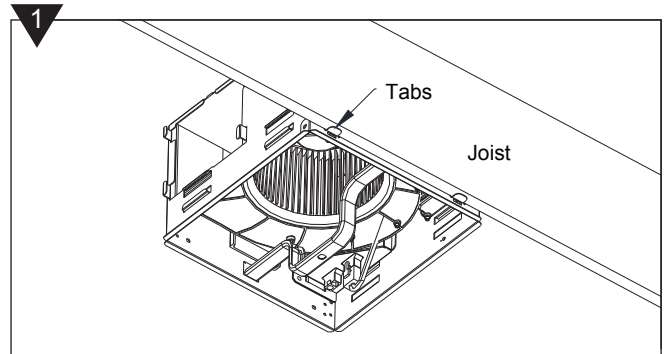
## BEFORE INSTALLATION

Turn off power source. Review all safety precautions.

## NEW CONSTRUCTION

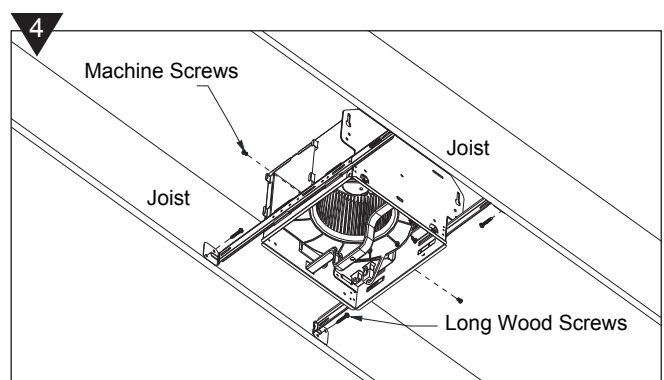
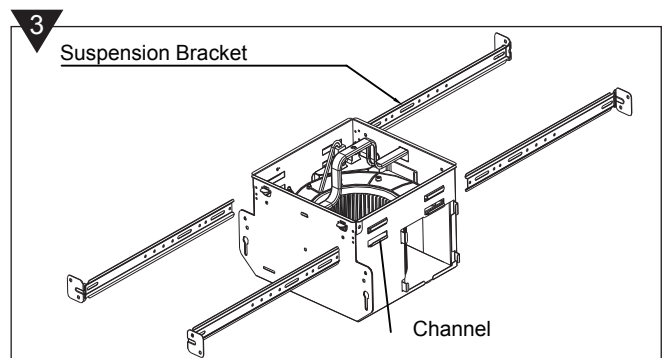
### MOUNT HOUSING WITH FLANGE:

1. To bend the housing tabs out to 90 degrees and make housing tabs contact the bottom of the joist.
2. The housing mounts with 4 long screws ( $\varnothing 4 \times 25$ ). Screw housing to joist through lowest holes in each mounting flange, then through the other holes.



### USING SUSPENSION BRACKETS

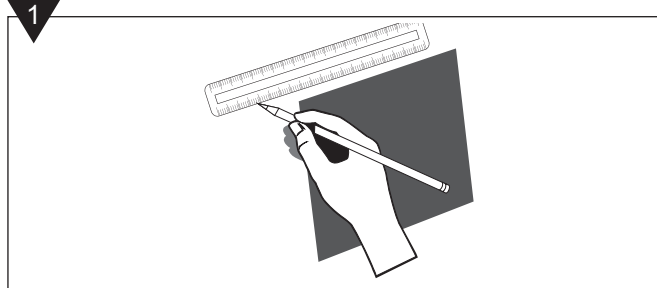
3. Sliding suspension brackets available to allow for your specific positioning of housing anywhere between joists and span up to 24".
4.
  - A. Extend suspension brackets to the width of the joists. Make sure the fan body is level and perpendicular with the joist, and flush with ceiling surface.
  - B. Fasten suspension brackets to joists with long wood screws .
  - C. Secure suspension brackets together with machine screws



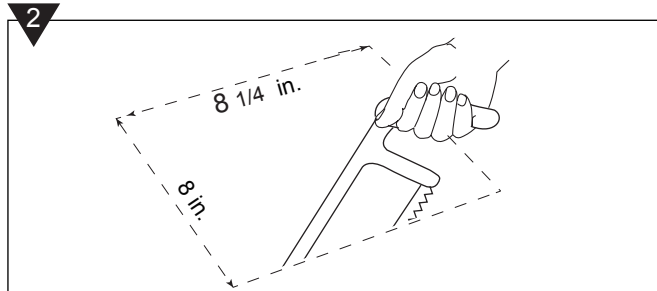
## ASSEMBLY INSTRUCTIONS (Continued)

### EXISTING CONSTRUCTION-ACCESSIBLE FROM ABOVE

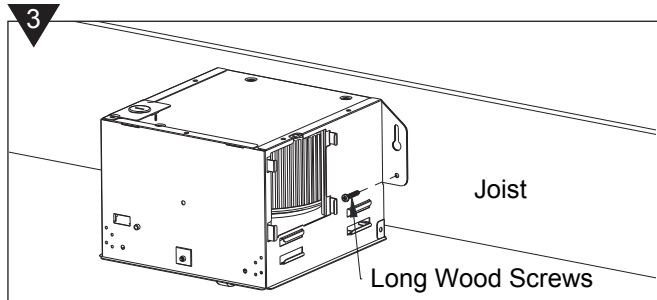
1. Remove existing fan. Measure the ceiling opening to ensure it is large enough to accommodate the new fan (8 in. x 8 1/4 in.)



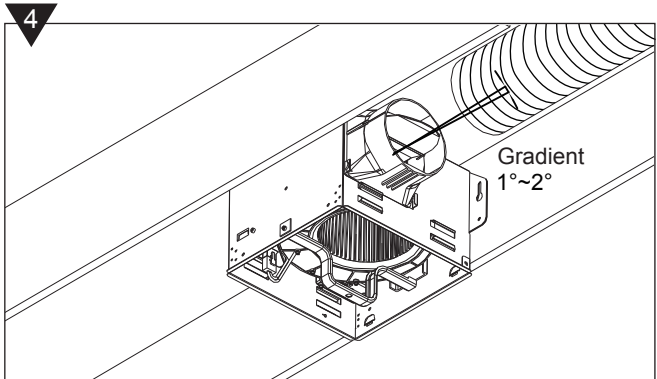
2. If this fan is not replacing an existing fan, be sure to cut a 8 in. x 8 1/4 in. opening for the fan body.



3. Place housing in opening so that its bottom edge is flush with finished ceiling. Secure housing to joist through lowest holes in each mounting flange.



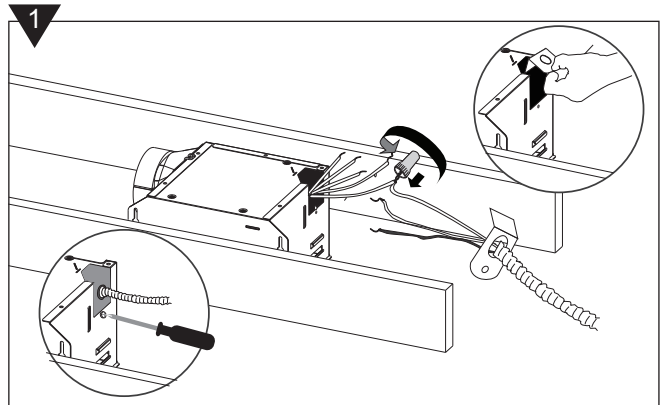
4. Insert the duct (not provided) into the duct connector and tape all ductworks connection to make them secure and air tight. Install the duct with a gradient 1°~2° to the outside.



## ASSEMBLY INSTRUCTIONS (Continued)

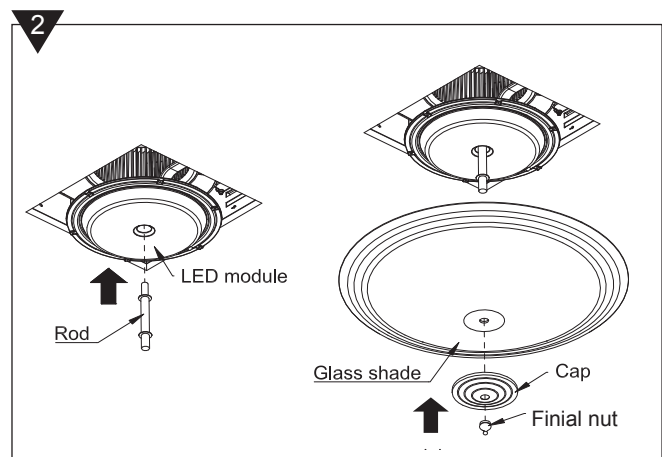
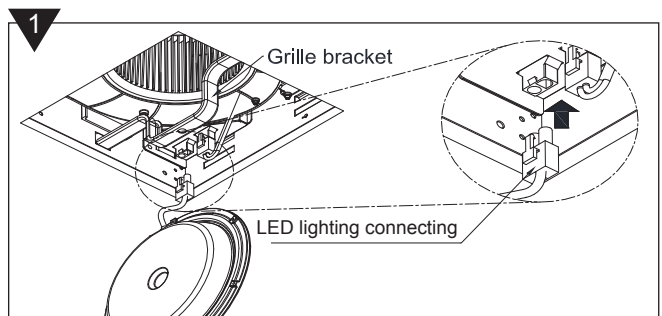
### 1. CONNECT WIRING

- A. Follow all local electrical code and ANSI/NFPA70.
- B. NEVER place a switch where it can be reached from a tub or shower.
- C. Remove the fan junction box cover. Using wire nuts (not supplied) connect house wires to fan wires as shown in the wiring diagram on page 4. Wire connections are as follows: black and blue to live switch wire, white to neutral, green to ground. Reattach fan junction box cover.
- D. 14AWG (2.1mm<sup>2</sup>) is the smallest conductor that shall be used for branch-circuit wiring.



### 2. GLASS SHADE INSTALLATION

1. Insert the LED lighting connecting into the LED socket.
- 
2. Insert the rod through center hole of LED module and mount into the grille bracket.
- 
3. Place glass shade over mounting rod. Secure glass shade with cap and finial nut.



## OPERATION

Turn POWER switch on to operate the fan/LED light on.

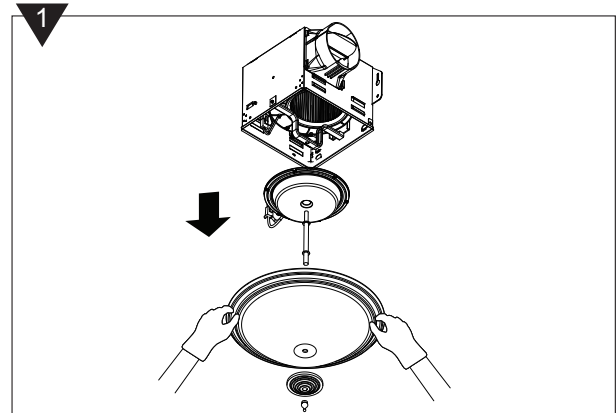
## CARE AND MAINTENANCE

### TURN OFF POWER SOURCE. REVIEW ALL SAFETY PRECAUTION.

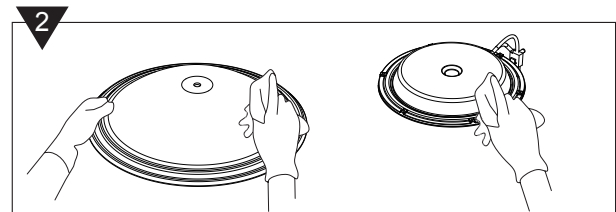
See safety information before proceeding. Routine maintenance should be done at least once a year.

- Never use solvents, thinner or harsh chemicals when cleaning the fan.
- Do not allow water to enter the motor.
- Do not immerse metal parts in water.
- Do not immerse resin parts in water over 140° F.

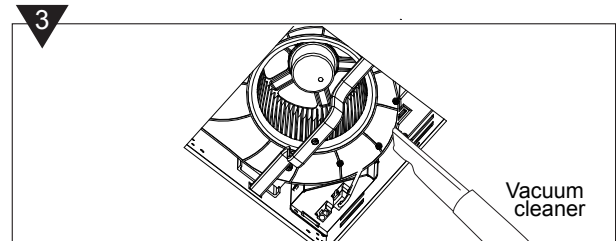
1. Carefully unscrew cap, finial nut and rod to remove glass shade and LED module.



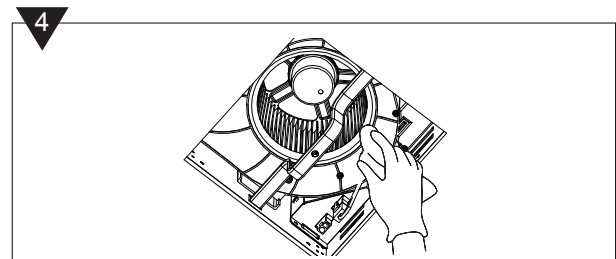
2. Wash and clean the glass shade, and clean the LED module with a cloth.



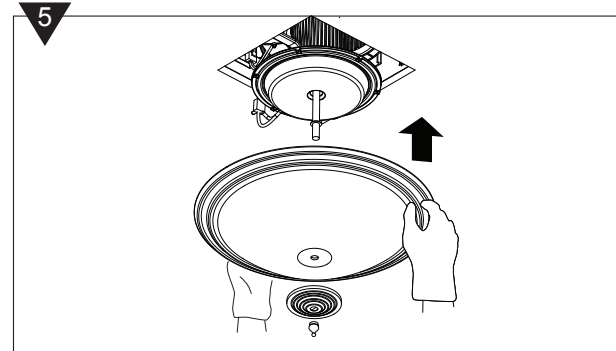
3. Remove dust and dirt from the fan body with a vacuum cleaner.



4. Dampen cloth with dust detergent and wipe the fan body. Then wipe dry with a clean cloth.



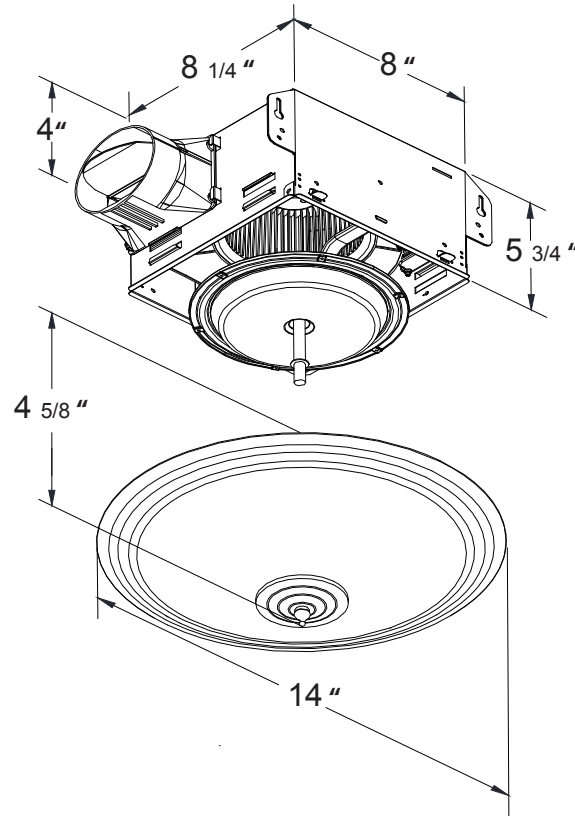
5. Replace grille back onto fan body. Turn on power source to operate fan again.



## TROUBLESHOOTING

PROBLEM	POSSIBLE CAUSE	CORRECTIVE ACTION
The fan is not turning on	<ol style="list-style-type: none"> <li>1. Power off</li> <li>2. Faulty switch</li> <li>3. Faulty wire connection</li> </ol>	<ol style="list-style-type: none"> <li>1. Make sure power supply is on.</li> <li>2. Test or replace switch.</li> <li>3. Check wire in switch box.</li> </ol>
The fan seems louder than it should	<ol style="list-style-type: none"> <li>1. CFM too great</li> <li>2. Damper not working properly or damaged</li> <li>3. Bend in duct too close to fan discharge</li> <li>4. Fan discharge reduced to fit smaller duct</li> <li>5. Fan body not securely attached</li> </ol>	<ol style="list-style-type: none"> <li>1. Be sure the CFM rating on the fan matches the size of your room.</li> <li>2. Check damper to ensure it is opening and closing properly. If the damper has become damaged, please call Customer Service.</li> <li>3. Be sure you do not have any sharp bends in duct closer than 18 in. to the fan discharge.</li> <li>4. Use recommended size ducting to reduce fan noise.</li> <li>5. Be sure the fan is securely attached to your ceiling joists.</li> </ol>
The fan is not clearing the room	<ol style="list-style-type: none"> <li>1. Insufficient intake airflow within room</li> <li>2. Insufficient CFM</li> </ol>	<ol style="list-style-type: none"> <li>1. Be sure a door or window is slightly ajar or opened to allow airflow. The fan is not able to draw air out of the room without enough airflow to draw in from.</li> <li>2. Be sure the CFM rating on the fan matches the requirements for your room size.</li> </ol>
The light is not turning ON	<ol style="list-style-type: none"> <li>1. Power off</li> <li>2. Faulty switch</li> <li>3. Faulty wire connection</li> </ol>	<ol style="list-style-type: none"> <li>1. Make sure power supply is on.</li> <li>2. Test or replace switch.</li> <li>3. Check wire in switch box.</li> </ol>

## DIMENSIONS



## PRODUCT SPECIFICATIONS

SPECIFICATIONS							
Model No.	Voltage (V)	Frequency (Hz)	Fan Power @0.1"SP (W)	Air Flow @0.1"SP (CFM)	Noise @0.1"SP (Sones)	Weight (lb.)	LED light spec.
GBR100LED-DECOR	120	60	13.0	100	1.5	9.6	13 Watts, 950Lumens, 3000K

Note: Design and specifications subject to change without notice.

## LIST OF COMPATIBLE DIMMERS(NOT SUPPLIED)

NO.	Brand	Model
1	Lutron	MACL-153M
2	Lutron	DVCL-153P
3	Lutron	S-600P
4	Lutron	SCL-153P

NO.	Brand	Model
5	Lutron	SELV-300P
6	Lutron	DVELV-300P
7	Lutron	LGCL-153PLH
8	Leviton	6631

## WARRANTY

### DELTA ELECTRONICS THREE YEAR LIMITED WARRANTY

Delta Electronics Inc. (“Delta Electronics”) warrants to the original consumer purchaser in the USA that the Breez ventilation fan products will be free from defects in material or workmanship. This warranty is limited to three (3) years from the original date of purchase.

#### Limitations and Exclusions

1. During the warranty period, a replacement for any defective product will be supplied free of charge for installation by the consumer. The warranty provided herein does not cover charges for labor or other costs incurred in the troubleshooting, repair, removal, and installation service.
2. All returns of defective parts or products must include the product model number, and must be made through an authorized Delta Electronics distributor. Authorized returns must be shipped prepaid. Repaired or replacement products will be shipped by Delta Electronics F.O.B. shipping point.
3. Delta Electronics shall not be liable for any indirect, incidental, consequential, punitive, or special damages arising out of or in connection with products use or performance, regardless of the form of action whether in contract, tort (including negligence), strict product liability or otherwise.
4. This warranty does not extend to fluorescent lamp starters and tubes.
5. The warranty does not cover if user does not comply with manufacturer’s installation manual.
6. To qualify for warranty service, you must notify Delta Electronics at the address or telephone number below.
7. Delta Electronics shall have no liability to the original owner-user with respect to any defect caused by abuse, misuse, neglect, improper transportation or storage, improper testing, improper installation, improper operation, improper use, improper maintenance, improper repair, improper alteration, improper modification, tampering or accident of products or parts thereof, or unusual deterioration or degradation of products or parts thereof due to a physical environment beyond the requirements of products’ specifications.

Address: 46101 Fremont Boulevard, Fremont, CA 94538

US Toll Free Number: 1-888-979-9889

[www.deltabreez.com](http://www.deltabreez.com)

