



**ATTENTION!**

If any components of this unit are broken, do not operate properly, or for product returns, please contact Weston Products LLC  
Phone: 1-800-814-4895 (Outside the U.S. 440-638-3131)  
Mail: 20365 Progress Drive, Strongsville, Ohio 44149  
E-Mail: CustomerService@WestonProducts.com  
Web Site: WestonProducts.com

*All Trademarks and Registered Trademarks are property of the respective companies.*

**SAVE THESE INSTRUCTIONS!**

*Refer to them often and use them to instruct others.*



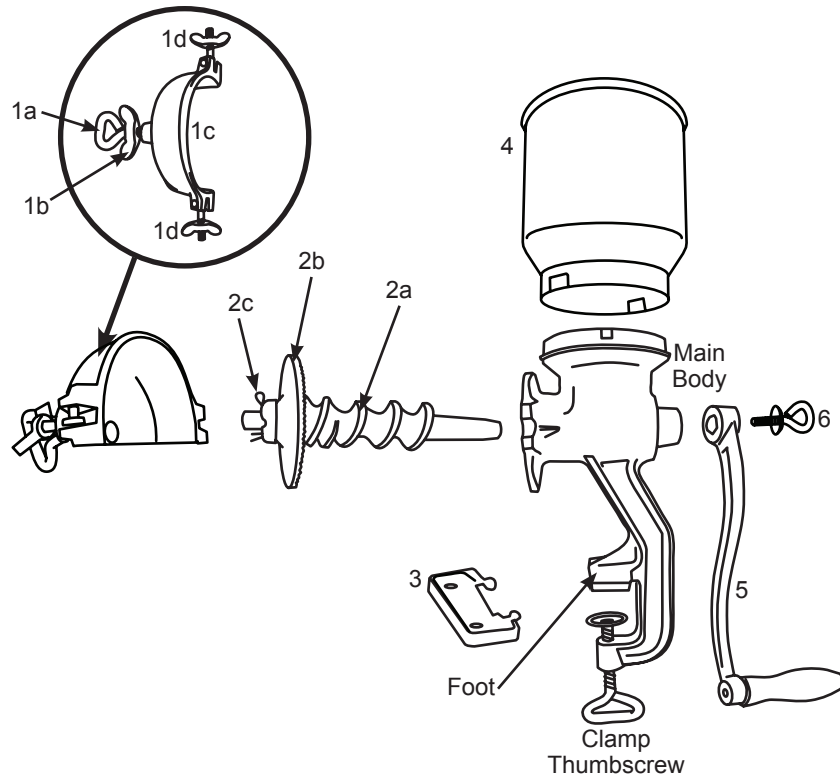
**MANUAL  
GRAIN & CORN  
MILL**

**MODEL # 36-3601-W**



*Due to constant factory improvements, the product pictured might differ slightly from the product received.*

REV010813



## COMPONENT LIST

DIAGRAM NUMBER	PART DESCRIPTION	PART NUMBER
1	Shield Assembly	36-3604
	1a Grinding Plate Pressure Screw	
	1b Wing Nut	
	1c Shield	
	1d Rotating Thumbscrew with Bolt (2)	
2	Auger Assembly	36-3606
	2a Auger	
	2b Adjustable Grinding Plate	
	2c Retainer Cap	
3	Protector Pad	36-3609
4	Hopper	36-3611
5	Handle	36-3612
6	Thumbscrew with Cap Washer	36-3613

If any components of this unit are broken, the unit does not operate properly or you need a replacement instruction manual, visit us on the web at

**WestonProduct.com/support**

Or call Weston Products LLC Toll Free at **1-800-814-4895**

Monday thru Friday 8:00am-5:00pm EST. Outside the U.S. call 440-638-3131

## WESTON WARRANTY INFORMATION

### SAVE THIS WARRANTY INFORMATION FOR YOUR RECORDS!

Weston Products LLC warrants to the ORIGINAL RETAIL PURCHASER of this product that if operated in accordance with the printed instruction accompanying it, then for a period of 1 year from the date of purchase, the product shall be free from defects in material and workmanship.

The Warranty Card, along with a copy of the original receipt, must be received by Weston Products LLC within 30 days from purchase date for the warranty to apply. Failure to send the completely filled out Warranty Card, along with a copy of the original receipt, will void the warranty.

The product must be delivered to or shipped freight prepaid to Weston Products LLC for warranty services, in either its original packaging or similar packaging affording an equal degree of protection. Damage due to shipping is not the responsibility of the company. Weston Products LLC charges a \$35.00 per hour bench charge. **NOTE:** No repairs will be started without the authorization of the customer. The return shipping cost to the customer will be added to the repair invoice.

Weston Products LLC will repair (or at its discretion, replace) the product free of charge, if in the judgment of the company, it has been proven to be defective as to seller's labor and material, within the warranty period.

New or rebuilt replacements for factory defective parts will be supplied for one (1) year from the date of purchase. Replacement parts are warranted for the remainder of the original warranty period.

For non-warranty repairs, contact Weston Products LLC's Customer Service at 1-800-814-4895 M-F 8am-5pm EST (outside of the United States 440-638-3131) to obtain a Return Merchandise Authorization Number (RMA Number). Weston Products LLC will refuse all returns that do not contain this number. **DO NOT RETURN THE UNIT WITHOUT PROPER AUTHORIZATION FROM WESTON PRODUCTS LLC.**

**LIMITATIONS:** The warranty is void if the product is used for any purpose other than that for which it is designed. The product must not have been previously altered, repaired, or serviced by anyone else other than Weston Products LLC. If applicable, the serial number must not have been altered or removed. The product must not have been subjected to accident in transit or while in the customer's possession, misused, abused, or operated contrary to the instructions contained in the instruction manual. This includes failure caused by neglect of reasonable and necessary maintenance, improper line voltage and acts of nature. This warranty is not transferable and applies only to U.S. and Canadian sales.

Except to the extent prohibited by applicable law, no other warranties whether expressed or implied, including warranty merchantability and fitness for a particular purpose, shall apply to this product. Under no circumstances shall Weston Products LLC be liable for consequential damages sustained in connection with said product and Weston Products LLC neither assumes nor authorizes any representative or other person to assume for it any obligation or liability other than such as is expressly set forth herein. Any applicable implied warranties are also limited to the one (1) year period of the limited warranty.

This warranty covers only the product and its specific parts, not the food or other products processed in it.

CUT ALONG THE DOTTED LINE AND SEND THE WARRANTY CARD ALONG WITH A COPY OF YOUR ORIGINAL PURCHASE RECEIPT TO:

**Weston Products LLC - WARRANTY DEPARTMENT**  
**20365 Progress Drive, Strongsville, OH 44149**

## WESTON WARRANTY CARD

SEND THIS CARD ALONG WITH A COPY OF YOUR ORIGINAL PURCHASE RECEIPT TO:  
 WESTON PRODUCTS LLC-WARRANTY DEPT., 20365 PROGRESS DRIVE, STRONGSVILLE, OH 44149

Customer Name: \_\_\_\_\_

Address: \_\_\_\_\_

City/State/Zip: \_\_\_\_\_

Telephone Number: (\_\_\_\_\_) \_\_\_\_\_

E-Mail Address: \_\_\_\_\_

Original Date of Purchase: \_\_\_\_/\_\_\_\_/\_\_\_\_

Product Model #: \_\_\_\_\_

Serial # (if applicable): \_\_\_\_\_

## GRINDING INSTRUCTIONS

1. Fill the **Hopper** with the material you intend to grind.
2. Position a bowl or plate under the **Mill** to catch the material as it is being ground (Figure F).
3. Slowly turn the **Handle** clockwise.

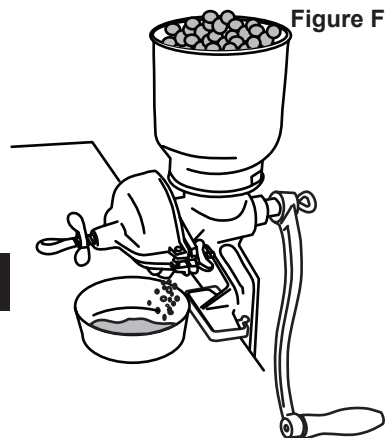


Figure F

## ADJUSTING THE GRIND

Depending on the type of material that is being ground and your personal preferences, you may need to adjust the **Grinding Plate Pressure Screw** to achieve your desired results (Figure G). It is best to tighten **Grinding Plate Pressure Screw** all the way and loosen if ground items do not come out.

**FOR COARSE GRINDING:** Loosen the **Wing Nut** and turn the **Grinding Plate Pressure Screw** counter clockwise – this will increase the gap in the **Grinding Plate** on the **Auger Assembly**, resulting in a coarser grind. Then re-tighten the **Wing Nut** and resume grinding.

**FOR FINE GRINDING:** Loosen the **Wing Nut** and turn the **Grinding Plate Pressure Screw** clockwise – this will decrease the gap in the **Grinding Plate** on the **Auger Assembly**, resulting in a finer grind. Then re-tighten the **Wing Nut** and resume grinding.

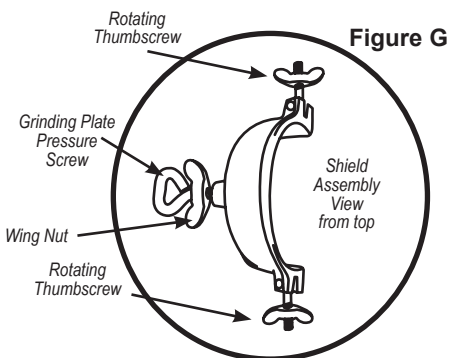


Figure G

## TIPS FOR EASY OPERATION

- Always make sure the material you are grinding is completely dry. Material that contains moisture will decrease the performance of the **Mill**.
- Turn the **Handle** at constant speed, try to avoid starting and stopping the **Handle** while grinding.
- If the **Mill** becomes jammed and the **Handle** will not turn, briefly turn the **Handle** counter-clockwise to remove jam. Resume normal grinding.
- Do Not fill the **Hopper** with more material than what you plan on grinding.
- Always make sure the **Mill** is securely attached to work surface before you start grinding.

## GENERAL SAFETY RULES



**WARNING!**

**READ AND FULLY UNDERSTAND ALL INSTRUCTIONS AND WARNINGS PRIOR TO USING THIS UNIT. YOUR SAFETY IS MOST IMPORTANT! FAILURE TO COMPLY WITH PROCEDURES AND SAFE GUARDS MAY RESULT IN SERIOUS INJURY OR PROPERTY DAMAGE. REMEMBER: YOUR PERSONAL SAFETY IS YOUR RESPONSIBILITY!**

1. KEEP FINGERS CLEAR of the **Auger** and **Grinding Plate** at all times. NEVER reach into any Mill inlet.
2. KEEP CHILDREN AWAY. NEVER LEAVE THE **MILL** UNATTENDED.
3. CHECK FOR DAMAGED PARTS. Before using the **Mill**, check that all parts are operating properly, and perform the intended functions. Check for alignment of moving parts, binding of moving parts, mounting and any other conditions that may affect the operation.
4. If the **Mill** becomes jammed, briefly turn in reverse to clear blockage.
5. NEVER insert fingers or foreign objects into **Mill** opening. Avoid contact with moving parts.
6. TIE BACK loose hair and clothing, and roll up long sleeves before operating the **Mill**. REMOVE ties, rings, watches, bracelets, or other jewelry before operating the **Mill**.
7. WEAR EYE PROTECTION. Wear safety glasses. Everyday eye glasses are not safety glasses. Safety glasses conform to ANSI Z87.1 requirements. Note: approved safety glasses have Z87 printed or stamped on them.
8. DO NOT grind bones, nuts or other hard objects.
9. DO NOT use the **Mill** while under the influence of drugs or alcohol.

**SAVE THESE INSTRUCTIONS!**

*Refer to them often and use them to instruct others.*

## ADDITIONAL ACCESSORIES AVAILABLE

10 Tray Food Dehydrator	75-0201-W
Dehydrator Netting Roll 13.5" x 5.3"	78-0201-W
Sauce Maker & Food Strainer	07-0801
Traditional Style Pasta Machine	01-0201
Non-Stick Hamburger Press	07-0301
Food Grade Silicone Spray	03-0101-W
Pro Series Vacuum Sealer	65-0101
Vacuum Sealer Bag Assortment	30-0107-W

These products and many more products can be ordered by visiting **WestonProducts.com** or by calling Weston Products LLC Toll Free at 1-800-814-4895  
 Monday thru Friday 8:00am-5:00pm EST. Outside the U.S. call 440-638-3131  
 E-Mail: CustomerService@WestonProducts.com

# IMPORTANT NOTE PRIOR TO USE!

A protective coating is applied to this unit prior to shipment. This coating protects the unit in shipment and during its shelf life.

It is very important to thoroughly clean the unit before using it, especially around the edges or areas that have been soldered or welded. Completely disassemble and thoroughly clean all parts with hot water, dish detergent and a soft cloth. Rinse with clean water and dry thoroughly. DO NOT use any harsh or abrasive brushes, chemicals or detergents. (Avoid using detergents or cleansers containing high percentages of free alkali or acid.)

DO NOT clean any parts of this unit in a dishwasher.

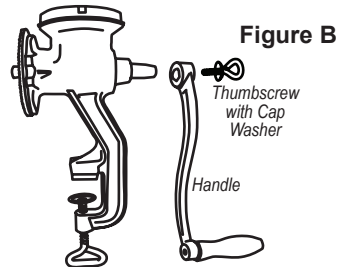
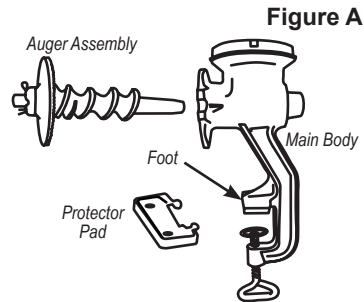
Coat all metal parts with a food-safe silicone spray after cleaning and before storing.

Be certain to store the unit in the original box in a cool, dry location.

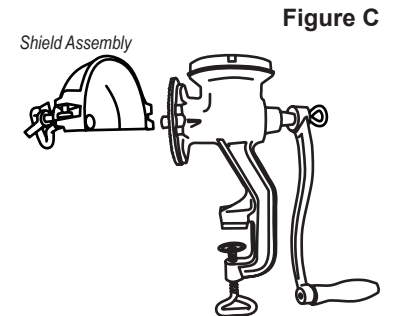
Run a small "Test Batch" through the unit before initial use.

## ASSEMBLY INSTRUCTIONS

1. Slide the **Protector Pad** onto the foot of the **Mill** and tighten the **Clamp Screw** to secure the **Mill** to the work surface. Allow ample room for the **Handle** to rotate.
2. Insert the **Auger Assembly** into the **Main Body** and through the back (Figure A).
3. Install the **Handle** onto the end of the **Auger** (Figure B).
4. Secure **Handle** to the **Auger** using the **Thumbscrew with Cap Washer** (Figure B).

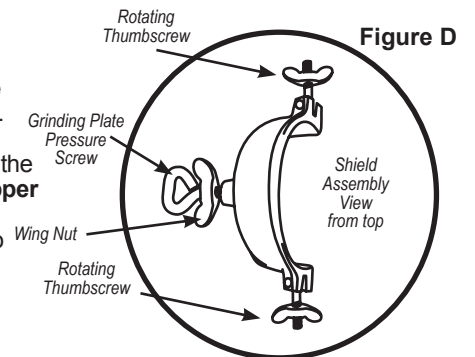


5. Align the knob on the **Auger Assembly** with the hole in the **Shield Assembly**. Place the **Shield Assembly** onto the **Main Body** (Figure C).



6. Rotate the **Rotating Thumbscrews** (one is located on each side of the **Shield Assembly**) into the slots in the **Main Body**. Loosen the **Thumbscrews** if needed, to slide the **Washers** and the **Thumbscrews** behind the slot on the **Main Body**. Tighten the **Thumbscrews** to secure (Figure D).

7. Follow the "Adjusting the Grind" instructions as outlined in this manual. Loosen the **Wing Nut** on the **Grinding Plate Pressure Screw**. Set the **Grinding Plate Pressure Screw** by turning it clockwise to tighten and counter-clockwise to loosen. Securely tighten the **Wing Nut** against the **Shield** once the **Grinding Plate Pressure Screw** is in the position desired (Figure D).



8. Align the notches on the **Hopper** with the notches on the **Main Body**. Slide the **Hopper** onto the **Main body** and turn the **Hopper** slightly to the right to secure the **Hopper** to the **Main Body** (Figure E).

