



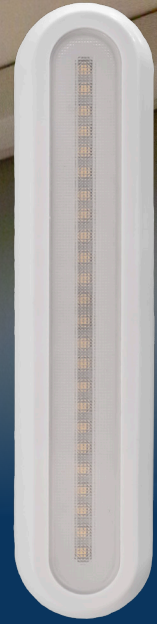
LED BATTERY OPERATED LIGHTING

# COMPACT PUCK AND BAR LIGHTS

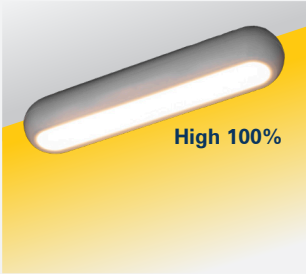
These compact puck and bar lights are bright, long lasting, and install quickly and easily for instant light to enhance small spaces. Add light in and under cabinets, closets, pantries, laundry rooms, hallways, garages, shelving and more.



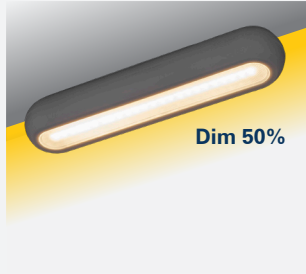
BL-PUTN-W



BL-BUTN-W



High 100%



Dim 50%

## FEATURES

**TWO LIGHTING LEVELS**  
High (100%) / Dim (50%) / Off

**BRIGHT LIGHT**  
**Puck Light**  
Provides 50 lumens 3000K light  
**Bar Light**  
Provides 120 lumens 3000K light

**LONG RUNTIME**  
**Puck Light**  
70 hours of runtime  
**Bar Light**  
130 hours of runtime

**BATTERY OPERATED**  
**Puck Light**  
Runs on 3 AAA Batteries (Included with 6-Pack only)  
**Bar Light**  
Runs on 4 AA Batteries (Not included)

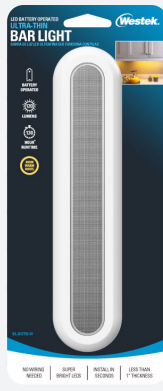
**INCLUDES:**  
Mounting screws, 3M tape for mounting,  
18 AAA Batteries (6-Pack only)



BL-PUTN-W2



BL-PUTN-W3



BL-BUTN-W



BL-PUTN-W6  
(Not in retail packaging)

## IN PACKAGING

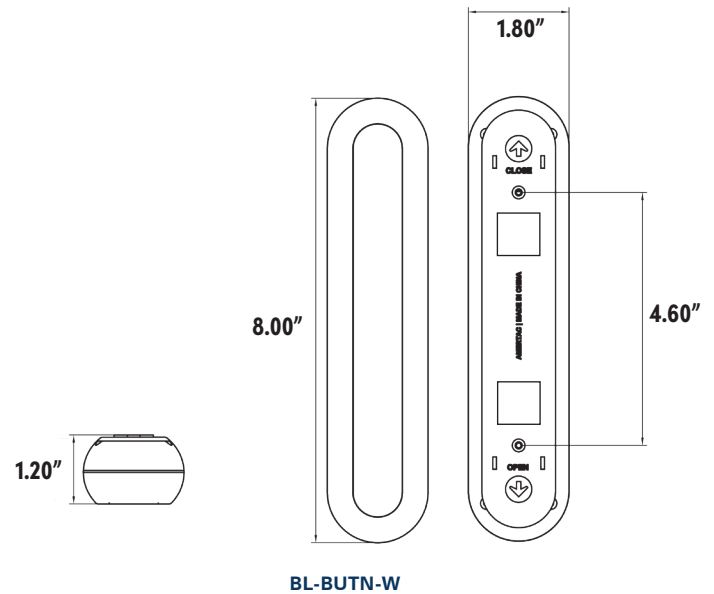
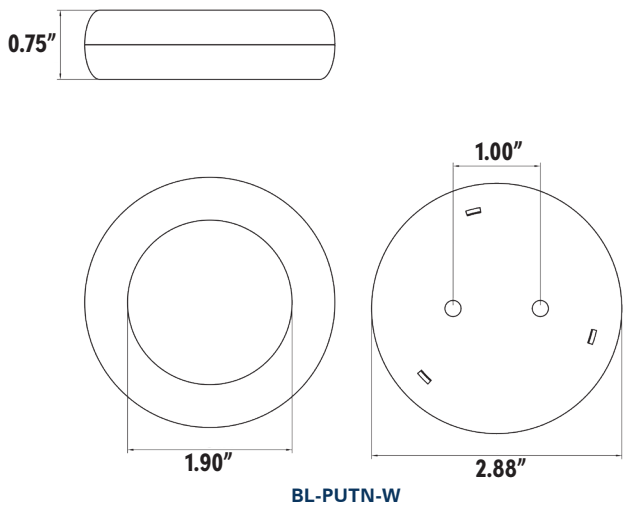
# SPECIFICATIONS

Description	Compact Ultra-Thin Puck Light			Compact Bar Light
Lumens	50			120
Color Temp	3000K			3000K
LED Life	50,000 Hours			50,000 Hours
Power Source	3 AAA Batteries			4 AA Batteries
Runtime	70 hours (down to 1%)			130 hours (down to 1%)
Functions	Dimmable			Dimmable
Product Finish	White			White
Weight	0.09 lb			.23 lbs
Dimensions	2.88"L x 2.87"W x 0.75"H			8.00"L x 1.80"W x 1.20"H

Model Number	BL-PUTN-W2	BL-PUTN-W3	BL-PUTN-W6 (For online sale only)	BL-BUTN-W
Remote Included	No	No	No	No
Packaged Dimensions	8.00"L x 4.25"W x 1.50"H	11.00"L x 4.25"W x 1.00"H	9.50"L x 8.00"W x 1.25"H	10.00"L x 4.25"W x 3.00"H
UPC	070686008461	070686009321	070686008478	070686008485

## DIMENSIONS



## ABOUT US

AmerTac is a leading manufacturer of both traditional and innovative home accent products sold in top retailers. The wide range of products includes decorative wallplates, under cabinet lighting, night lights and battery-operated accent lighting, along with accessories such as timers and light controls.

250 Boulder Drive  
Breinigsville, PA 18031  
(610) 336-1330  
amertac.com