

GD9471 – SINGLE CYLINDER

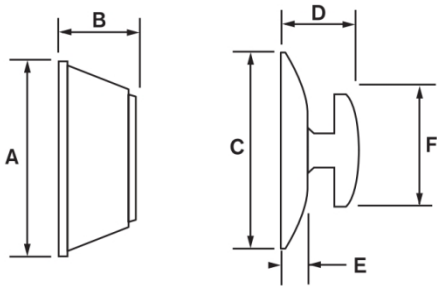

GD9471

SPECIFICATIONS

DOOR PREP	Cross Bore 2-1/8" or 1-1/2" Edge Bore 1"
BACKSET	Adjustable to 2-3/8" or 2-3/4"
DOOR THICKNESS	1-3/8"–1-3/4" doors standard thickness Thick door service part available for up to 2-1/4"
CYLINDER	Standard SmartKey Kwikset or Weiser 5pin pin & tumbler available
FACEPLATE	1" x 2-1/4" Square, radius corner and drive-in standard
STRIKES	1-1/8" x 2-3/4" square or round corner
BOLT	1" throw
DOOR HANDING	Reversible for right or left-hand doors
ANSI/BHMA	A156.5 Grade 2
UL AVAILABILITY	Meets 3 hour fire rating for all UL functions when fronted latches used Meets 20 minute with drive-in latch
ASTM	All Weiser product meets ASTM E 331 water penetration testing

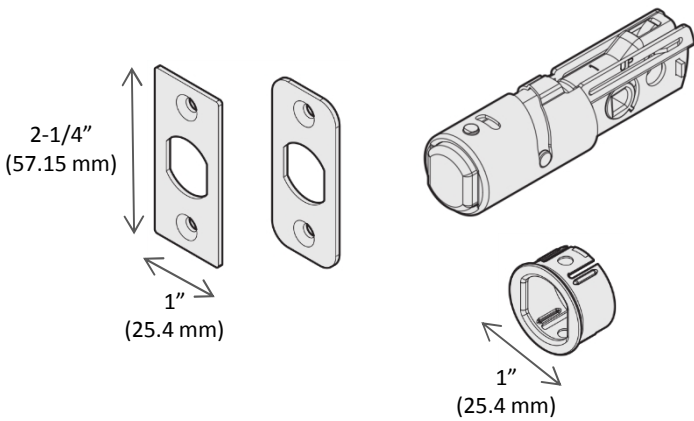
SPECIFICATIONS

PRODUCT DIMENSIONS



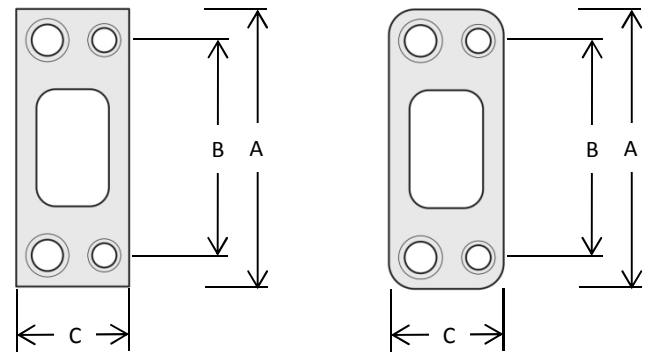
	A	B	C	D	E	F
GD9471	2-9/16"	1-1/16"	2-9/16"	1-5/32"	7/16"	1-3/4"

6-WAY ADJUSTABLE LATCH



SQUARE CORNER

RADIUS CORNER



A	2-3/4" (69.85 mm)
B	2-1/8" (53.975 mm)
C	1" (28.321 mm)

PRODUCT AVAILABILITY



		20 min.	3 Hour	Lifetime Brass	Antique Brass	Venetian Bronze	Satin Nickel
GD9471	Single Cylinder	<input type="checkbox"/>	<input type="checkbox"/>	<input type="checkbox"/>	<input type="checkbox"/>	<input type="checkbox"/>	<input type="checkbox"/>
		20 min.	3 Hour	Antique Nickel	Polished Chrome	Satin Chrome	Iron Black
GD9471	Single Cylinder	<input type="checkbox"/>	<input type="checkbox"/>	<input type="checkbox"/>	<input type="checkbox"/>	<input type="checkbox"/>	<input type="checkbox"/>