

Weiser Architectural Door Hardware Product Guide

Weiser Lock has been crafting the highest quality door locks since 1904. Now, nearly a century later, the tradition continues with state-of-the-art products, all carefully designed to meet your lifestyle needs. Weiser Lock offers an extensive line of fashionable locksets for every kind of decor, as well as quality craftsmanship, innovative design and an array of fashionable styles from which to select. Weiser Lock products assure long-lasting quality, dependable security and complementary styles for any home's decor.

ELEMENTS™ SERIES — provides an expanded choice in Fashion Door Hardware at an affordable price. The **ELEMENTS SERIES** supports and enhances decorating decisions.

WELCOME HOME™ SERIES — features superior quality in a wide range of styles and function choices, all with a Full Lifetime Mechanical Warranty. This series offers a complete line of exterior handlesets, Entrysets™, and deadbolts as well as interior leversets and knobsets.

Each **WELCOME™ HOME SERIES** product with bright brass or chrome exterior finishes is protected by the exclusive Weiser Lock Brilliance™ Lifetime Anti-Tarnish Finish.

Description	Finish Number	BHMA Code
Bright Brass	3	605
Brilliant Lifetime Brass	3BR	—
Antique Brass, Oxidized, Hand Relieved and Highlighted	5	609
Venetian Bronze	11P	—
Satin Nickel	15	619
Bright Chrome	26	625
Satin Chrome	26D	626
Satin Stainless Steel	32D	630
Iron Black	514	622

*Available in Smart Key Cylinder (S) and Weiser Key Way (W)



East – Pennsylvania
800-233-4210
Fax 800-854-4146

Midwest – Missouri
800-211-4607
Fax 800-211-4608

Southwest – Texas
866-693-6903
Fax 866-693-6904

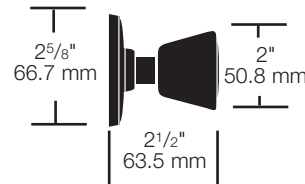
West – Nevada
800-722-4210
Fax 800-248-3620

Elements Series

AC KNOBSETS

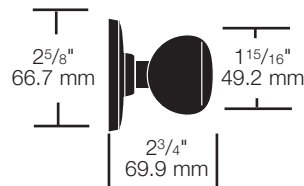
BEVERLY	Style Symbol: B
GAC101	Hall/Closet Set
GAC331	Bed/Bath Set
GAC531	Front/Back Lockset
GAC12	Dummy Trim
GAC 581	Storeroom

Finish: 3, 5, 26D



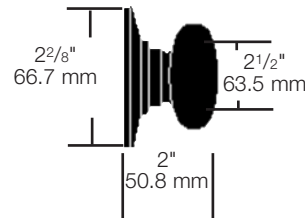
FAIRFAX	Style Symbol: F
GAC101	Hall/Closet Set
GAC331	Bed/Bath Set
GAC531	Front/Back Lockset
GAC12	Dummy Trim

Finish: 3, 5, 11P, 15, 26D.



YUKON	Style Symbol: Y
GAC101	Hall/Closet Set
GAC331	Bed/Bath Set
GAC531	Front/Back Lockset
GAC12	Dummy Trim

Finishes: 3, 11P, 15, 26D.



Note: Refer to Product and Finish Technical pages to determine split finish combinations available.



Top Notch Distributors, Inc.

East – Pennsylvania
800-233-4210
Fax 800-854-4146

Midwest – Missouri
800-211-4607
Fax 800-211-4608

Southwest – Texas
866-693-6903
Fax 866-693-6904

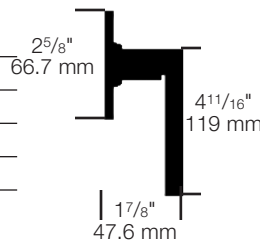
West – Nevada
800-722-4210
Fax 800-248-3620

Elements Series

LEVERSETS

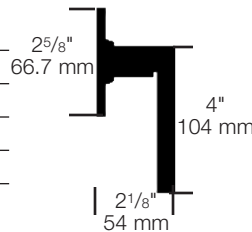
ALFINI	Style Symbol: Al
GLC101	Hall/Closet Set
GLC331	Bed/Bath Set
GLC535	Front/Back Lockset
GLC12	Dummy Trim

Finish: **3, 11P, 15, 15A, 26D.**



KIM	Style Symbol: K
GLC101	Hall/Closet Set
GLC331	Bed/Bath Set
GLC535	Front/Back Lockset
GLC12	Dummy Trim

Finishes: **3, 26, 26D.**



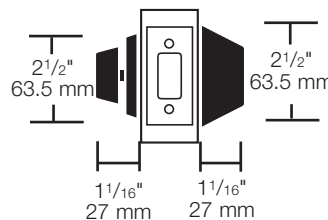
DEADBOLTS

STANDARD-DUTY

DEADBOLTS	Style Symbol: L
GDC9371	Double Cylinder
GDC9471	Single Cylinder
GDC9671	One Sided

Finishes: **3BR, 5, 11P, 15, 15A, 26, 26D.**

Note: Refer to Technical pages to determine split finish combinations available. Pricing is based on the higher of the two finishes.



HANDLESETS

KINGSWAY	Style Symbol: K
GA9671	Double Cylinder
GA9771	Single Cylinder
GA71	Dummy Handleset

Outer Finish: **3BR, 11P, 15, 15A, 26D.**

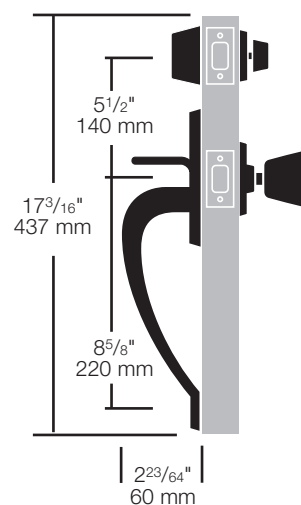
Note: Refer to Technical pages to determine split finish combinations available. Pricing is based on the higher of the two finishes.

INTERIOR PACKS

MODEL	FUNCTION
GAC / GLC 9575	Double Cylinder
GAC / GLC 9675	Single Cylinder
GAC / GLC 96	Dummy Handleset

Inner Finish: **3, 5, 11P, 15, 15A, 26**

Note: Refer to Technical pages to determine split finish combinations available. Pricing is based on the higher of the two finishes.



Top Notch Distributors, Inc.

East – Pennsylvania
800-233-4210
Fax 800-854-4146

Midwest – Missouri
800-211-4607
Fax 800-211-4608

Southwest – Texas
866-693-6903
Fax 866-693-6904

West – Nevada
800-722-4210
Fax 800-248-3620







www.topnotchinc.com

sales@topnotchinc.com




Elements Series Functions

KNOB/LEVER FUNCTIONS

KNOBSET/LEVERSET FUNCTIONS




Number	Knob	Lever	Function and Description
12			Dummy Trim: Non-operating single dummy trim. Surface mounted with throughbolt and self-taping screws.
101			Passage/Hall/Closet Set: Latchbolt operated by knob/lever from either side at all times.
331			Privacy/Bed/Bath Set: Latchbolt operated by knob/lever from either side, except when outside knob/lever is locked by push button in the inside knob/lever. Emergency release in outside knob/lever by inserting coin or flat tool in emergency slot. Operating inside knob/lever releases push button and outside knob/lever. Inside knob/lever always free.
531			Front/Back Lockset: Keyed knob outside; push and turn knob locking inside, deadlocking latch standard.
535			Keyed Lever: Latch bolt operated by lever from either side, except when outside lever is locked by key outside or turn button inside. Locking button must be returned to unlocked position by key outside or turn button inside to release inner and outer lever. Deadlocking latch.
581			Keyed Knob: Keyed knob outside; outside knob always rigid. Inside knob always free.

DEADBOLT FUNCTIONS

Number	Deadbolt	Function and Description
9371		Double Cylinder: Deadbolt operated with key on interior and exterior trim.
9471		Single Cylinder: Deadbolt operated with key on exterior trim and thumb turn on interior trim.
9671		Double Cylinder Sectional Handleset: Deadbolt locked or unlocked by key from wither side. Lower trim is a non-locking.

Elements Series Functions

HANDLESET FUNCTIONS

Number	Handleset	Function and Description
9671		Double-Cylinder Sectional Handleset: Deadbolt locked or unlocked by key from either side. Lower trim is a non-locking.
9771		Single-Cylinder Sectional Handleset: Deadbolt locked or unlocked by key from outside and by thumb turn on the inside. Lower trim is a non-locking.
71		Dummy Sectional Handleset: Dummy trims to match exterior and interior trims of 9671 and 9771 .

Elements Series Technical Information

KNOBSET/LEVERSET FEATURES

- Cross bore 2¹/₈", Edge bore 1", Latch face 1" x 2³/₄" hole.
- 2³/₈" to 2³/₄" adjustable backset latch standard product. UL 2³/₄" standard 2³/₈" optional.
- 1³/₈" to 1³/₄" standard door thickness. 2¹/₄" doors optional on GLC 101, GLC 535 and GAC 101, GAC 531 models only.
- Cylinder: KW or WS 5 pin
- Faceplate: 1" to 2¹/₄", specify round, square or drive in corner.
- Strikes: 2¹/₄" full lip. Specify round or square corner. Other options available.
- Bolt: 1/2" throw nickel plated.
- Door Hanging: Knobs - Reversible for right or left handed doors. Levers - N/A
- ANSI/BHMA: A156.2 Grade 3
- ADA: Knobs - N/A. Levers - Functions GLC 101 and GLC 12 satisfy section 4.13.9 ADA requirement..
- UL: Meets 20 minute fire rating for all UL functions

DEADBOLT FEATURES

- 1¹/₂" crossbore, 1" edge bore and 1" to 2¹/₄" latch face.
- Adjustable to 2³/₈" or 2³/₄" backset. UL 2³/₄" standard 2³/₈" optional.
- 1³/₈" to 1³/₄" standard door thickness."
- Cylinder: SmartKey or KW or WS 5 pin
- Faceplate: 1" to 2¹/₄", specify round, square or drive in corner.
- Strikes: Standard 1 1/8" x 2 3/4". Specify round or square corner. Other options available.
- Bolt: 1" throw.
- Door Hanging: Reversible for right or left handed doors.
- ANSI/BHMA: A156.5 Grade 3
- ADA: Knobs - Interior turn piece meets 4.13.9 ADA requirement.
- UL: Meets 20 minute fire rating for all UL functions



Elements Series Technical Information

HANDLESET FEATURES

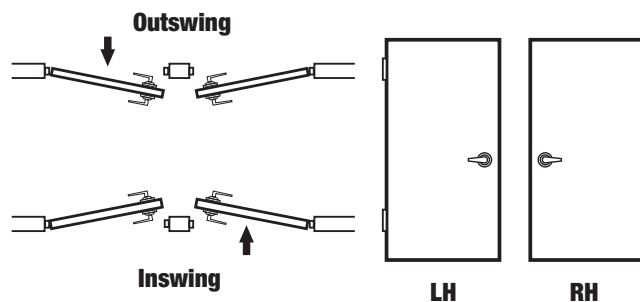
- Door Prep Deadbolt: Cross bore $2\frac{1}{8}$ " or $1\frac{1}{2}$ " Edge bore 1" Latch face $1" \times 2\frac{1}{4}$ ".
Handle: Cross bore $2\frac{1}{8}$ " Edge bore 1" Latch face $1" \times 2\frac{1}{4}$ ".
- Backset Deadbolt/Handle: Adjustable to $2\frac{3}{8}$ " or $2\frac{3}{4}$ "
- Door Thickness: $1\frac{3}{4}$ " doors standard. $2\frac{1}{4}$ " doors optional. Not designed for use on $1\frac{3}{8}$ " doors.
- Cylinder SmartKey or KW or WS 5 pin
- Faceplate 1" to $2\frac{1}{4}$ ", specify round, square or drive in corner.
- Strikes: Deadbolt $1\frac{1}{8}$ " x $2\frac{3}{4}$ ". Specify round or square corner. Handle- $2\frac{1}{4}$ " full lip. Other options available.
- Bolt: Deadbolt: 1" Handle: $\frac{1}{2}$ " throw. Nickel plated.
- Door Hanging: Reversible for right or left handed doors.
- ANSI/BHMA: A156.5 Grade 3

HOW TO DETERMINE HAND OF DOOR

When ordering a leverset, it is important to include leverset handing specifications with your order. Refer to these diagrams to specify the correct handing. Diagrams show outside of door.

LH: Hinge is on left side of door.

RH: Hinge is on right side of door.



Element Interior Finishes								
Available Finishes	3	5	11P	15	15A	26	26D	514
Alfini	•		•	•	•		•	
Beverly	•						•	
Fairfax	•		•	•			•	
Huntington	•	•		•			•	
Kim	•					•	•	
Yukon	•		•	•			•	



Top Notch Distributors, Inc.

East – Pennsylvania
800-233-4210
Fax 800-854-4146

Midwest – Missouri
800-211-4607
Fax 800-211-4608

Southwest – Texas
866-693-6903
Fax 866-693-6904

West – Nevada
800-722-4210
Fax 800-248-3620

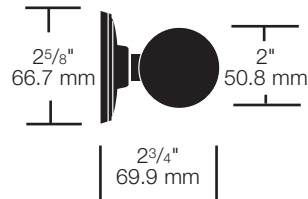
www.topnotchinc.com

sales@topnotchinc.com

Welcome Home Series Knobsets

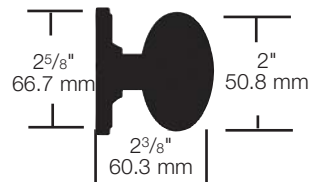
HUNTINGTON	Style Symbol: H
GA101	Hall/Closet Set
GA331	Bed/Bath Set
GA531	Front/Back Lockset
GA12	Dummy Trim
GA581	Storeroom

Finishes: 3, 3BR, 5, 11P, 26D.



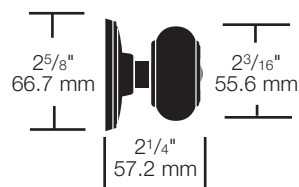
LAUREL	Style Symbol: L
GA101	Hall/Closet Set
GA331	Bed/Bath Set
GA531	Front/Back Lockset
GA12	Dummy Trim

Finishes: 11P, 15, 26D.



PHOENIX	Style Symbol: P
GA101	Hall/Closet Set
GA331	Bed/Bath Set
GA531	Front/Back Lockset
GA12	Dummy Trim
GA581	Storeroom

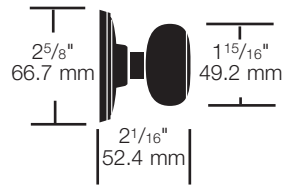
Finishes: 3, 3BR, 11P, 15, 15A.



Welcome Home Series Knobsets and Deadbolts

TROY	Style Symbol: P
GA101	Hall/Closet Set
GA331	Bed/Bath Set
GA531	Front/Back Lockset
GA12	Dummy Trim
GA581	Storeroom

Finishes: 3, 3BR, 5, 11P, 15, 15A, 26D, 514.



DEADBOLTS

STANDARD-DUTY

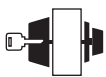


DEADBOLTS	Style Symbol: L
GD9371	Double Cylinder
GD9471	Single Cylinder

Finishes: 3BR, 5, 11P, 15, 15A, 26, 26D, 514.



Note: Refer to chart in Product Finish Technical Section to determine split finish combinations available. Pricing for split finishes is based on the higher of the two finishes.

DEADBOLT FUNCTIONS

Number	Deadbolt	Function and Description
9371		Single Cylinder: Deadbolt operated with key on exterior trim and thumbturn on interior trim.
9471		Double Cylinder: Deadbolt operated with key on interior and exterior trim.
9671		Double Cylinder Sectional Handleset: Deadbolt locked or unlocked by key from wither side. Lower trim is a non-locking.



East – Pennsylvania
800-233-4210
Fax 800-854-4146

Midwest – Missouri
800-211-4607
Fax 800-211-4608

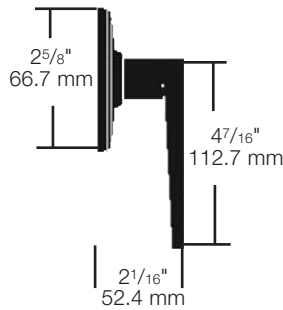
Southwest – Texas
866-693-6903
Fax 866-693-6904

West – Nevada
800-722-4210
Fax 800-248-3620

Welcome Home Series Leversets

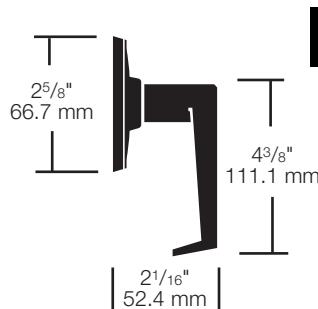
ASPEN	Style Symbol: A
GLA101	Hall/Closet Set
GLA331	Bed/Bath Set
GLA535	Keyed Lever Set
GLA12	Dummy Trim

Finishes: 11P, 15, 15A, 26D, 514.



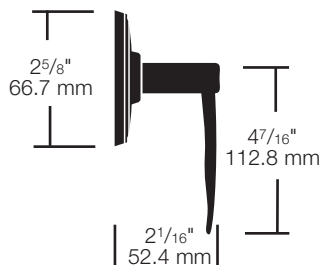
DANE	Style Symbol: D
GLA101	Hall/Closet Set
GLA331	Bed/Bath Set
GLA535	Keyed Lever Set
GLA12	Dummy Trim

Finishes: 3, 3BR, 26D.



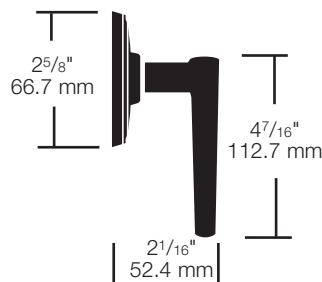
GALIANO	Style Symbol: G
GLA101	Hall/Closet Set
GLA331	Bed/Bath Set
GLA535	Front/Back Lockset
GLA12	Dummy Trim

Finishes: 3, 3BR, 11P, 15, 26, 26D.



TOLUCA	Style Symbol: TC
GLA101	Hall/Closet Set
GLA331	Bed/Bath Set
GLA535	Keyed Lever Set
GLA12	Dummy Trim











Finishes: 3, 3BR, 5, 11P, 15, 15A, 26, 26D.



Note: Refer to chart in Product Finish Technical Section to determine split finish combinations available. Pricing for split finishes is based on the higher of the two finishes.

Welcome Home Series Functions

KNOBSET/LEVERSET FUNCTIONS

Number	Knob	Lever	Function and Description
12			Dummy Trim: Non-operating single dummy trim. Surface mounted with throughbolt and self-taping screws.
101			Privacy/Hall/Closet Set: Passage/Hall/Closet Set: Latchbolt operated by knob/lever from either side at all times.
331			Privacy/Bed/Bath Set: Latchbolt operated by knob/lever from either side, except when outside knob/lever is locked by push button in the inside knob/lever. Emergency release in outside knob/lever by inserting coin or flat tool in emergency slot. Operating inside knob/lever releases push button and outside knob/lever. Inside knob/lever always free.
531			Front/Back Lockset: Keyed knob outside; push and turn knob locking inside, deadlocking latch standard.
580			Front/Back Lockset: Keyed knob outside; push and turn button locking inside. Deadlocking latch.
581			Keyed Knob: Keyed knob outside; outside knob always rigid. Inside knob always free.
535			Keyed Lever: Latch bolt operated by lever from either side, except when outside lever is locked by key outside or turn button inside. Locking button must be returned to unlocked position by key outside or turn button inside to release inner and outer lever. Deadlocking latch.

Welcome Home Series Technical Information

KNOBSET/LEVERSET FEATURES

- Cross bore 2¹/₈", Edge bore 1", Latch face 1" x 2¹/₄" hole.
- 2³/₈" to 2³/₄" adjustable backset latch. UL 2³/₄" standard 2³/₈" optional.
- 1³/₈" to 1³/₄" standard door thickness. 2¹/₄" doors optional on GLA 101, GLA 535 and GA 101, GLA 551 models only.
- Cylinder: SmartKey or KW or WS 5 pin
- Faceplate: 1" to 2¹/₄", specify round, square or drive in corner.
- Strikes: 2¹/₄" full lip. Specify round or square corner. Other options available.
- Bolt: 1/2" throw nickel plated.
- Door Handing: Knobs - Reversible for right or left handed doors. Levers - Specify handing only with inactive levers.
- ANSI/BHMA: A156.2 Grade 2
- ADA: Knobs - N/A. Levers - Functions GLA 101 and GLA 12 satisfy section 4.13.9 ADA requirement.
- UL: Meets 3 hour fire rating for all UL functions when fronted latches used. Meets 20 minute with drive-in latch.

DEADBOLT FEATURES

- 2¹/₈" or 1¹/₂" cross bore, 1" edge bore and 1" to 2¹/₄" latch face.
- Adjustable to 2³/₈" or 2³/₄" backset.
- 1³/₈" to 1³/₄" standard door thickness. 2¹/₄" Optional.
- Cylinder: SmartKey or KW or WS 5 pin
- Faceplate: 1" to 2¹/₄", specify round, square or drive in corner.
- Strikes: Standard 1 1/8" x 2 3/4". Specify round or square corner.
- Bolt: 1" throw Steel.
- Door Handing: Reversible for right or left handed doors.
- ANSI/BHMA: A156.5 Grade 2
- ADA: Knobs - Interior turn piece meets 4.13.9 ADA requirement.
- UL: Meets 3 hour fire rating for all UL functions when fronted latches used. Meets 20 minute with drive-in latch.



Welcome Home Series Deadbolts Technical Information

HANDLESET FEATURES

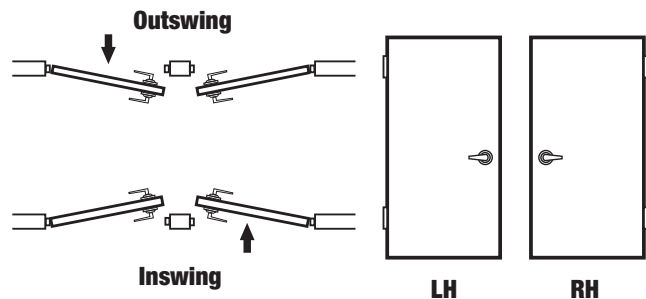
- Door Prep Deadbolt: Cross bore 2¹/₈" or 1¹/₂" Edge bore 1" Latch face 1" x 2¹/₄".
Handle: Cross bore 2¹/₈" Edge bore 1" Latch face 1" x 2¹/₄".
- Backset Deadbolt/Handle: Adjustable to 2³/₈" or 2³/₄"
- Door Thickness: 1³/₄" doors standard. 2¹/₄" doors optional. Not designed for use on 1³/₈" doors.
- Cylinder SmartKey or KW or WS 5 pin
- Faceplate 1" to 2¹/₄", specify round, square or drive in corner.
- Strikes: Deadbolt 1¹/₈" x 2³/₄". Specify round or square corner. Handle- 2¹/₄" full lip. Specify round or square corner. Other options available.
- Bolt: Deadbolt: 1" Steel. Handle: 1/2" throw. Nickel plated.
- Door Hanging: Reversible for right or left handed doors.
- ANSI/BHMA: A156.5 Grade 2 (for deadbolt)

HOW TO DETERMINE HAND OF DOOR

When ordering a leverset, it is important to include leverset handing specifications with your order. Refer to these diagrams to specify the correct handing. Diagrams show outside of door.

LH: Hinge is on left side of door.

RH: Hinge is on right side of door.



Welcome Home Interior Finishes								
Available Finishes	3	5	11P	15	15A	26	26D	514
Aspen			•	•	•		•	•
Dane	•						•	
Galiano	•		•	•		•	•	
Huntington	•	•		•			•	
Laurel			•	•			•	•
Phoenix	•		•	•	•			
Toluca	•	•	•	•	•	•	•	
Troy	•	•	•	•	•		•	•



East – Pennsylvania
800-233-4210
Fax 800-854-4146

Midwest – Missouri
800-211-4607
Fax 800-211-4608

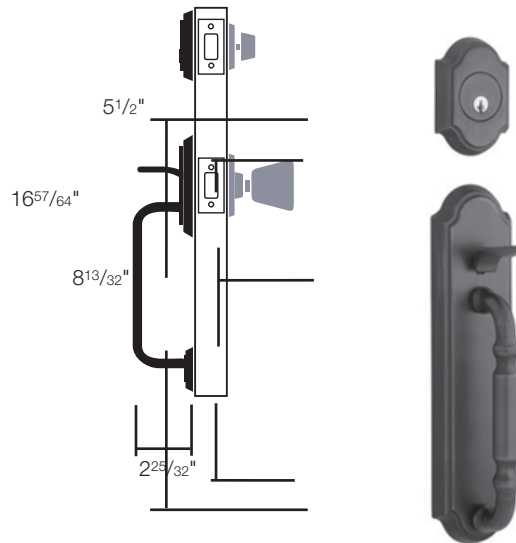
Southwest – Texas
866-693-6903
Fax 866-693-6904

West – Nevada
800-722-4210
Fax 800-248-3620

Welcome Home Series Handlesets

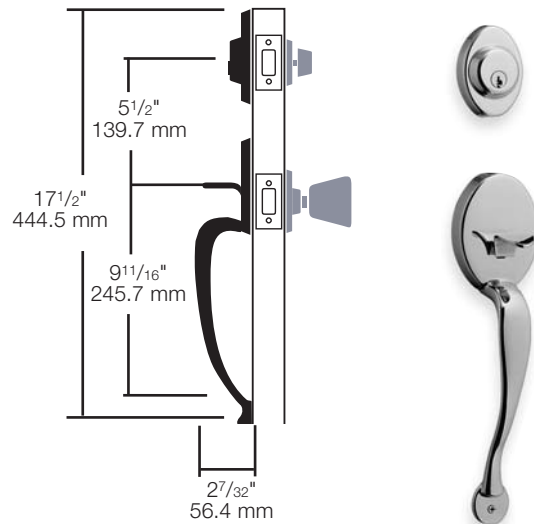
ACACIA		Style Symbol: A2
GA9671	Double Cylinder	
GA9771	Single Cylinder	
GA71	Dummy Handleset	

Outer Finishes: 3BR, 11P, 15A.



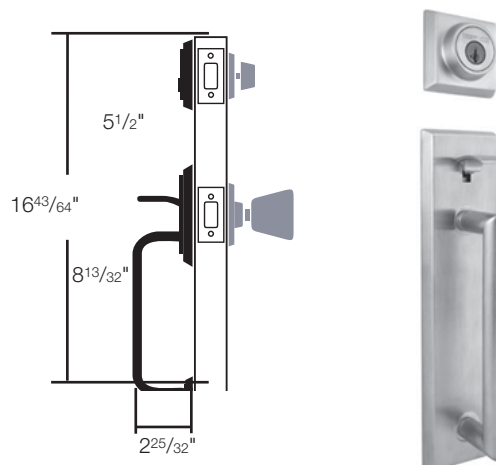
AUGUSTA		Style Symbol: A
GA9671	Double Cylinder	
GA9771	Single Cylinder	
GA71	Dummy Handleset	

Outer Finishes: 3BR, 5, 11P, 15, 15A, 26D, 514.



COLONNADE		Style Symbol: C2
GA9671	Double Cylinder	
GA9771	Single Cylinder	
GA71	Dummy Handleset	

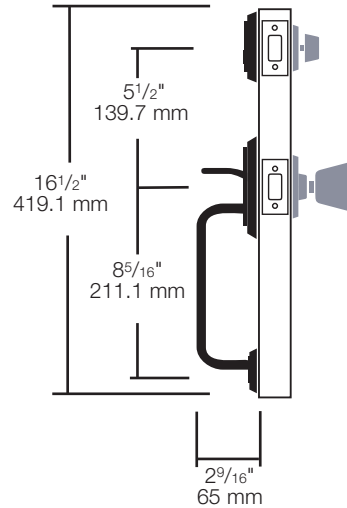
Outer Finishes: 26, 26D.



Welcome Home Series - Handlesets

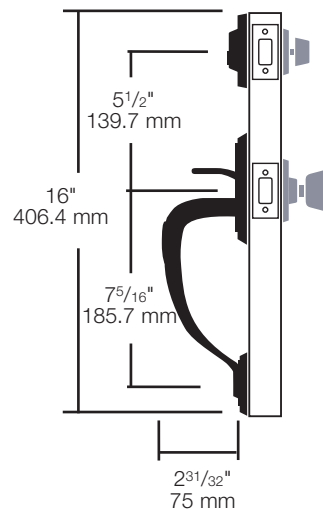
COLUMBIA	Style Symbol: C
GA9671	Double Cylinder
GA9771	Single Cylinder
GA71	Dummy Handleset

Outer Finish:: 3BR, 11P, 15, 15A, 26D.



HERITAGE	Style Symbol: H
GA9671	Double Cylinder
GA9671	Double Cylinder
GA9771	Single Cylinder
GA71	Dummy Handleset

Outer Finish: 3BR, 5, 11P, 15A.



INTERIOR PACKS

MODEL	FUNCTION
GA / GLA 9675	Single Cylinder
GA / GLA 9575	Double Cylinder
GA / GLA 96	Inactive

Interior Finish: 3, 5, 11P, 15, 15A, 26, 26D, 514



Top Notch Distributors, Inc.

East - Pennsylvania
800-233-4210
Fax 800-854-4146

Midwest - Missouri
800-211-4607
Fax 800-211-4608

Southwest - Texas
866-693-6903
Fax 866-693-6904

West - Nevada
800-722-4210
Fax 800-248-3620

www.topnotchinc.com

sales@topnotchinc.com

Powerbolt Series/Functions

POWERBOLT 1000 SERIES

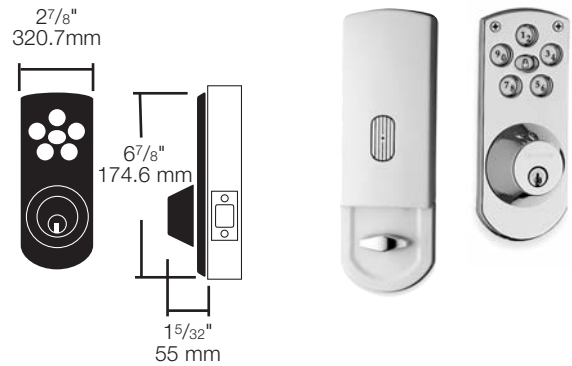
Powerbolt 1000 Touchpad

Electronic Deadbolt


Style Symbol: X

GED1460

Finishes: 3BR, 11P, 15, 15A, 26D, 514.



FUNCTIONS

Number	Function	Powerbolt	Description
1460			Single-Cylinder Deadbolt: Deadbolt latch retracted by entering security code outside and extended by pushing lock button outside. Deadbolt latch extended and retracted by T-Turn on inside. Using key outside will retract deadbolt latch if needed.