

Price List

WaterPEX® Plumbing Products



Effective July 1, 2019

All prices supersede previous issues, are temporary and subject to change without notice.

Electronic is Green!

For the latest WaterPEX pricing information in electronic format, visit our Data Exchange at:

<http://www.wattswater.com/dataexchange>

- Download product and list price data in .csv, .pdf, .tsv, .xls and .xml formats
- Easy access to list price data for business systems
- Sign up for e-mail alerts when data is updated
- Access other Watts Water Technologies brands pricing data

Table Of Contents

SECTION	ITEM TYPE	PAGE
Terms and Conditions		2
Matrix		3
Codes, Standards, Approvals and Technical Data		3
WaterPEX-a® Tubing and Fittings		4
Red, Blue and White Coils	WPaTC	4
Red, Blue and White 20' Sticks	WPaTS	4
Brass F1960 Fittings	LFPF	5-6
PSU F1960 Fittings	LFWE	7
WaterPEX® Tubing		8
Red, Blue and White Coils	WPTC	8
Red, Blue and White 20' Sticks	WPTS	9
10' Sticks – Fast Packs	WFPF	9
Stud Reel with Tubing	WPSR	9
Plastic Multi-Port Tees		10
Mini CrimpRing™ Poly-Alloy	WPPM	10
Copper Manifolds		12
Closed End x 1" Swedged End	LFWPCM1	12
Closed End x 3/4" CrimpRing™ End	LFWPCM2	13
3/4" CrimpRing™ End x 3/4"		
CrimpRing™ End	LFWPCM3	14
CustomCut™	LFWPCM5	15
PEX Valves and Accessories		16
Stops and Valves	LFWPSV	16
1/4-Turn Chrome Stops		16
PEX Stops		16
In-line Crimp x Crimp Full Port Ball Valves		17
Supply Line Fittings		18
Faucet Connection -		
Nut and Crimp Fitting	LFWPFC	18
Stainless Steel CinchClamps™	WP9S	19
Close Ear (CE) CinchClamps™	WP9C	19
Copper PEX CrimpRings™	WP14C	19
PEX Fittings - Brass		20
CrimpRing™ x Threaded Adapters	LFWP12 (M), LFWP13B-(F)	20
CrimpRing™ Sweat Adapters	LFWP10B (M), LFWP11B (F)	21
PEX CrimpRing™ Couplings	LFWP15B	22
PEX x PEX CrimpRing™ Coupling Kits	LFWP16B	23
Transition Coupling Kits	LFWP17B/WP28	23
Brass PEX x PB (Polybutylene)	LFWP28B	23
CrimpRing™ Tees	LFWP18B	24
CrimpRing™ Elbows - Crimp x Crimp	LFWP19B	25
Elbows - Crimp x MPT	LFWP20B	25
CrimpRing™ x Sweat Elbows	LFWP21B	25
Drop Ear Elbows	LFWP22B	26
CrimpRing™ Test Plugs	LFWP24B	26
PEX Fittings - Poly Alloy		27
CrimpRing™ Couplings	WP15P	27
CrimpRing™ Elbows	WP19P	27
CrimpRing™ x MPT Adapters	WP12P	28
CrimpRing™ x MPT Elbows	WP20P	29
CrimpRing™ Tees	WP18P	29
Swivel Couplings	WP25P, WP26P	30
Test Plugs	WP27P	30

SECTION	ITEM TYPE	PAGE
Pipe Support and Mounting Accessories		31
Stubout Brackets and Elbows		31
PEX Stubout Brackets and Grommets -		
Galvanized	WPSB, WPIG	31
Copper Stubout Brackets and Elbows	WPSB	32
Bend Supports	WPBS	32
WaterPEX® Fasteners		33
SnapClip™	WPSC	33
PEX Manifold Bracket	WPUMB	34
PEX Installation Tools & Accessories		35
WaterPEX® Tools		35
Basic Tubing Cutter	WPTC	35
Professional Tubing Cutter	WPTC	35
Ratcheting Cinch Tool	WPCCT-6	35
CinchClamp™ Tool	WPCCT	36
RingMaster™ Crimping Tools	WPRM	36
CrimpAll™ Tool Kit	WPCATK	36
CrimpRing™ Removal Tool	WPCRT	37
Replacement CrimpAll™ and		
WaterPEX® Unwinder	WPUW	37
CrimpMaster™ Tools	WPCMT	37
CrimpRing™ Go/No-Go Gauge	WPGAUK	37
WaterPEX® Accessories		38
Washing Machine Shutoff Valves	WPWM	38
Ice Maker Valves	WPIM	38

Terms and Conditions

- FREIGHT TERMS:** All shipments are F.O.B. shipping point. Shipments from factory less than 1000 lbs. are F.O.B. factory. Factory shipments of \$2500 and over within the continental U.S.A. will be prepaid and allowed when made at the lowest motor carrier transportation rate.
- TERMS OF SALE:** All sales are F.O.B. shipping point.
- PAYMENT TERMS:** The invoices are due and payable 30 days from the date of invoice.
- PURCHASE ORDER FORMS:** Orders submitted on customer's own purchase order forms will be accepted only with the express understanding that no statements, clauses, or conditions contained in said order form will be binding on the Seller if they in any way modify the Seller's own terms and conditions of sales.
- SPECIAL PRODUCTS:** Orders for special or modified products are non-cancelable. In the event that the customer cancels an order for such products, Watts shall charge the customer an amount equal to Watts' costs and expenses incurred in performing the purchase order prior to receipt of notice of cancellation.

LIMITED WARRANTY:

- A. Watts Regulator Co. ("Watts") warrants its WaterPEX™, WaterPEXa™ cross-linked polyethylene tubing, barbed PEX fittings, brass and plastic Quick-Connect fittings and manifolds, factory manufactured copper manifolds and Quick-Connect accessories to be free of defects in material and workmanship when used under normal usage in potable water systems, and installed by a licensed plumbing contractor. Specific warranty durations apply as follows:
1. Watts WaterPEX™, WaterPEXa™ cross-linked polyethylene (non-barrier PEX) pipe for a period of twenty-five (25) years from the date of original shipment.
 2. Watts Series 45/LF45 Brass quick-connect fittings for a period of twenty-five (25) years from the date of original shipment.
 3. Watts Series 35 Plastic quick-connect fittings, Series 35 Plastic quick-connect manifolds and copper PEX manifolds for a period of ten (10) years from the date of original shipment.
 4. All other valves and accessories sold under the Watts WaterPEX, WaterPEXa™ or Watts Quick-Connect brand name for a period of two (2) years from the date of original shipment.
- Watts's obligation will be to repair or replace, at its discretion, any of these products proven to be defective in material or workmanship when these products are covered under this limited warranty.
- B. In the event of a system malfunction or leak caused by defective Watts warranted materials (and not by incorrect installation, incorrect handling procedures or by jobsite or installation damage), a reasonable pre-approved amount will be allowed for repair materials and repair labor. In the event of a leak occurring in a factory manifold, you may contact Watts for either a free replacement manifold or any parts reasonably needed to repair such a leak (freight prepaid). Note that Watts limits its warranty to its tubing, valves and accessories, fittings and manifolds. Watts does not warrant the connection on any installation, as the integrity of the connection is subject to the workmanship of the contractor/installer. The connection is the sole responsibility of the person who installs it.
- C. In order to qualify for a warranty remedy under paragraph B, you must contact Watts in advance and receive a written authorization for this remedy from an authorized Watts representative. Repair materials, repair labor and freight expenses not authorized in writing in advance by Watts in this way will not be compensated.
- D. To qualify for the warranty described above, you must do the following:
1. Use good construction techniques to install our materials, as specified in our current design and installation guidelines and technical notes. This must include field pressure testing our warranted materials before they are covered by concrete or otherwise made inaccessible.
 2. Install Watts WaterPEX™ and Watts Quick-Connect materials according to all guidelines and manuals published by Watts.
 3. Install Watts WaterPEX™ and Watts Quick-Connect products in a system that will not operate at temperatures or at pressures that exceed the rating printed on the tubing.
 4. The Watts warranted product must be installed in compliance with local building and plumbing codes.
- E. Evidence of tampering, mishandling, neglect, accidental damage, freeze damage or unauthorized repairs that cause damage to Watts's warranted products will void any warranty coverage for those particular products. All field connections are specifically excluded from the terms of this warranty.
- F. Watts provides a complete plumbing system offering so that it is possible to complete an installation with Watts products. However, it is possible that other manufacturers' tubing and/or fittings may be installed in any given installation. Providing that the tubing and/or fittings are manufactured to their applicable ASTM standards, and have been certified by a recognized third-party testing agency, the Watts product in the given installation will continue to be covered under this warranty. In the event of a system malfunction or leak that has other tubing and/or fitting manufacturers' components installed within the failed system, Watts will be responsible only for proven defects in material or workmanship in the Watts products. Products manufactured by another company should be reported to that manufacturer for its warranty response.
- G. **Disclaimer of Warranty. THE WARRANTY SET FORTH HEREIN IS GIVEN EXPRESSLY AND IS THE ONLY WARRANTY GIVEN BY WATTS WITH RESPECT TO THE PRODUCTS LISTED IN PARAGRAPH A. WATTS MAKES NO OTHER WARRANTIES, EXPRESS OR IMPLIED. WATTS HEREBY SPECIFICALLY DISCLAIMS ALL OTHER WARRANTIES, EXPRESS OR IMPLIED, INCLUDING BUT NOT LIMITED TO THE IMPLIED WARRANTIES OF MERCHANTABILITY AND FITNESS FOR A PARTICULAR PURPOSE.**
- H. **Limitation of Liability.** The remedy described above shall constitute the sole and exclusive remedy for breach of warranty, and, apart from that remedy, Watts shall not be responsible for any incidental, special or consequential damages, including without limitation, lost profits or the cost of repairing or replacing other property which is damaged if these warranted products do not work properly, other costs resulting from labor charges, delays, vandalism, negligence, fouling caused by foreign material, damage from adverse water conditions, adverse chemical environments, or any other circumstances over which Watts has no control. This warranty shall be invalidated by any abuse, misuse, misapplication or improper installation of the product.
- Some states do not allow limitations on how long an implied warranty lasts, and some states do not allow the exclusion or limitation of incidental or consequential damages. Therefore the above limitations may not apply to you. This Limited Warranty gives you specific legal rights, and you may have other rights that vary from state to state. You should consult applicable state laws to determine your rights. **SO FAR AS IS CONSISTENT WITH APPLICABLE STATE LAW, ANY IMPLIED WARRANTIES THAT MAY NOT BE DISCLAIMED, INCLUDING THE IMPLIED WARRANTIES OF MERCHANTABILITY AND FITNESS FOR A PARTICULAR PURPOSE, ARE LIMITED IN DURATION TO ONE YEAR FROM THE DATE OF ORIGINAL SHIPMENT.**
- I. **RETURNED GOODS:** No material shall be returned without authorization. When credit is issued it will be at the price charged, or prevailing price if lower, less handling charges based on costs of reconditioning, boxing, etc. However, a minimum 25% handling charge will apply. A minimum handling charge of \$20.00 is applied whenever the 25% handling deduction does not total \$20.00. Products which are obsolete or made to special order are not returnable.

NOTE: Prices and terms are subject to change without notice and supersede all previous quotations. The right is reserved to change or modify product design or construction without prior notice and without incurring any obligation to make such changes and modifications on products previously or subsequently sold.

Matrix

MANIFOLDS

CF	Crimp Fitting
CpM	Copper Manifold
MBV	Mini Ball Valve
WPCM-M3	(3 branches)
WPCM-M4	(4 branches)
WPQCM-5	(5 branches)
WPCM-M6	(6 branches)
WPCM-M8	(8 branches)
WPCM-M10	(10 branches)
WPCM-M12	(12 branches)

FITTINGS, STOPS & VALVES

C/Comp.	Compression
CF	Crimp Fitting
CS	Copper Sweat
FIP	Female Iron Pipe
FPT	Female Pipe Thread
FS	Female Sweat
MPT	Male Pipe Thread
MS	Male Sweat
Nom	Nominal
OD	Outside Diameter

CONNECTIONS

1/8 OD = 02
1/4 OD = 04
3/8 OD = 06
1/2 OD = 08
3/4 OD = 12
1 OD = 16
1 1/4 OD = 20
1 1/2 OD = 24
2 OD = 32
1/4 NPT/S = 04
3/8 NPT/S = 06
1/2 NPT/S = 08
3/4 NPT/S = 12
1 NPT/S = 16
1 1/4 NPT/S = 20
1 1/2 NPT/S = 24
2 NPT/S = 32

Codes, Standards, Approvals and Technical Data

Codes, Standards and Approvals

Watts WaterPEX® tubing is manufactured in accordance with ASTM International F876 and F877 to SDR-9 dimensional standards. It is listed by the National Sanitation Foundation to NSF Standards 14 and 61 for use in potable water systems. WaterPEX® tubing is listed by NSF to be in compliance with the Uniform Plumbing Code. All WaterPEX® tubing is labeled B137.5 which indicates that it is compliant to the CSA Standards B137.5.

3.1 WaterPEX is certified by intertek to CAN/ULC S101 and S102, and ASTM E84. WaterPEX is also certified under AWWA C904. All plastic and Lead Free potable components, including WaterPEX pipe, poly alloy and brass fittings are certified to ANSI/NSF 61 Annex G and NSF/ANSI 372.



Chlorine Resistance Category: PEX5306

All Watts WaterPEX® tubing is third party certified by NSF International as meeting the highest chlorine resistance requirements as currently defined by ASTM International F876. The “5” digit indicates that the PEX tubing has been tested and meets the requirements for end use conditions of 100% of the time at 140°F. Watts WaterPEX® tubing therefore can be confidently installed where hot chlorinated potable water is constantly re-circulated.

Engineering/Specification Data and Flow Characteristics

Watts maintains an extensive library of Engineering and Specification sheets for the majority of the WaterPEX products included in this catalog. In addition to ES sheets, pipe and fitting flow data, product specific and installation guidelines for WaterPEX

products may be found on the Watts web site. Information may be accessed at www.watts.com/pex; select the View Details tab for individual products.

WaterPEX®a Tubing

Watts WaterPEXa is manufactured in accordance with ASTM International F876 and F877 to SDR-9 dimensional standards. It is listed by the National Sanitation Foundation to NSF Standards 14 and 61 for use in potable water systems. WaterPEXa is listed by NSF to be in compliance to the Uniform Plumbing Code. All WaterPEXa is labeled B137.5 which indicates that it is compliant to the CSA Standards B137.5. Certified to PEX 3006 by NSF.



F1960 cold expansion fittings are suitable for use with WaterPEXa tubing.
Do not use F1960 fittings with WaterPex that does not have the -a designation.



WPaTC

WaterPEXa Tubing Coils

Model No.	Description/Size	Ordering Code	UPC	Net Content	Net Content Weight (lbs)	List Price
-----------	------------------	---------------	-----	-------------	--------------------------	------------

Red Print Coils

LEAD FREE*	WPaTC08-100R	1/2" x 100' PEXa	0653303	098268137491	100'	6	\$ 66.50
	WPaTC08-300R	1/2" x 300' PEXa	0653337	098268138375	300'	17	199.00
	WPaTC08-500R	1/2" x 500' PEXa	0653304	098268137590	500'	28	331.00
	WPaTC12-100R	3/4" x 100' PEXa	0653306	098268137699	100'	11	115.50
	WPaTC12-300R	3/4" x 300' PEXa	0653340	098268138474	300'	32	347.00
	WPaTC12-500R	3/4" x 500' PEXa	0653307	098268137712	500'	53	575.50
	WPaTC12-1000R	3/4" x 1000' PEXa	0653308	098268137736	1000'	105	1,151.00
	WPaTC16-100R	1" x 100' PEXa	0653300	098268137460	100'	17	204.50
	WPaTC16-500R	1" x 500' PEXa	0653297	840213214036	500'	84	1,019.00

Blue Print Coils

LEAD FREE*	WPaTC08-100B	1/2" x 100' PEXa	0653311	098268137804	100'	6	66.50
	WPaTC08-300B	1/2" x 300' PEXa	0653338	098268138429	300'	17	199.00
	WPaTC08-500B	1/2" x 500' PEXa	0653312	098268137811	500'	28	331.00
	WPaTC12-100B	3/4" x 100' PEXa	0653314	098268137835	100'	11	115.50
	WPaTC12-300B	3/4" x 300' PEXa	0653341	098268138481	300'	32	347.00
	WPaTC12-500B	3/4" x 500' PEXa	0653315	098268137842	500'	53	575.50
	WPaTC12-1000B	3/4" x 1000' PEXa	0653316	098268137873	1000'	105	1,151.00
	WPaTC16-100B	1" x 100' PEXa	0653299	098268137453	100'	17	204.50
	WPaTC16-500B	1" x 500' PEXa	0653298	098268138917	500'	84	1,019.00

Black Print Coils

LEAD FREE*	WPaTC06-100W	3/8" x 100' PEXa	0653317	098268137903	100'	4	58.25
	WPaTC08-100W	1/2" x 100' PEXa	0653319	098268137934	100'	6	66.50
	WPaTC08-300W	1/2" x 300' PEXa	0653339	098268138467	300'	17	199.00
	WPaTC08-500W	1/2" x 500' PEXa	0653320	098268137941	500'	28	331.00
	WPaTC12-100W	3/4" x 100' PEXa	0653322	098268137965	100'	11	115.50
	WPaTC12-300W	3/4" x 300' PEXa	0653342	098268138498	300'	32	347.00
	WPaTC12-500W	3/4" x 500' PEXa	0653323	098268137972	500'	53	575.50
	WPaTC12-1000W	3/4" x 1000' PEXa	0653324	098268137989	1000'	105	1,151.00
	WPaTC16-100W	1" x 100' PEXa	0653325	098268137996	100'	17	204.50
	WPaTC16-300W	1" x 300' PEXa	0653353	098268138603	300'	50	613.00

WaterPEXa Tubing Sticks

Model No.	Description/Size	Ordering Code	UPC	Net Content	Net Content Weight (lbs)	List Price
-----------	------------------	---------------	-----	-------------	--------------------------	------------

Red Print Sticks

LEAD FREE*	WPaTS08-50R	1/2" x 20' Sticks	0653329	098268138122	50 Sticks	43	\$ 688.00
	WPaTS12-25R	3/4" x 20' Sticks	0653330	098268138269	25 Sticks	33	599.00
	WPaTS16-25R	1" x 20' Sticks	0653408	098268015089	25 Sticks	45	1,064.00

Blue Print Sticks

LEAD FREE*	WPaTS08-50B	1/2" x 20' Sticks	0653331	098268138290	50 Sticks	43	688.00
	WPaTS12-25B	3/4" x 20' Sticks	0653332	098268138320	25 Sticks	33	599.00
	WPaTS16-25B	1" x 20' Sticks	0653407	098268015102	25 sticks	45	1,064.00

Black Print Sticks

LEAD FREE*	WPaTS08-50W	1/2" x 20' Sticks	0653333	098268138337	50 Sticks	43	688.00
	WPaTS12-25W	3/4" x 20' Sticks	0653334	098268138344	25 Sticks	33	599.00
	WPaTS16-25W	1" x 20' Sticks	0653403	098268013443	25 Sticks	45	1,064.00

*The wetted surface of this product contacted by consumable water contains less than 0.25% of lead by weight.

Net Content = Quantity of individual pieces or feet contained in the consumer unit.

Brass F1960 Fittings

Model No.	Description/Size	Ordering Code	UPC	Net Content	Net Content Weight (lbs)	List Price
-----------	------------------	---------------	-----	-------------	--------------------------	------------

Adapters



Adapters

Model No.	Description/Size	Ordering Code	UPC	Net Content	Net Content Weight (lbs)	List Price
LPPF750X-10	1/2" F1960 X 1/2" LF F SWT	81019377	098268096668	10	9	\$ 54.75
LPPFC33X-10	1/2" F1960 X 1/2" LF FPT	81019380	098268096712	10	9	113.00
LPPF650X-10	1/2" F1960 X 1/2" LF M SWT	81019376	098268096644	10	9	54.75
LPPFMC33X-10	1/2" F1960 X 1/2" LF MPT	81019379	098268096699	10	9	87.00
LPPFC44X-10	3/4" F1960 X 3/4" LF FPT	81019398	098268097511	10	11	156.00
LPPF675X-10	3/4" F1960 X 3/4" LF M SWT	81019394	098268097368	10	11	104.00
LPPF775X-10	3/4" F1960 X 3/4" LF F SWT	81019395	098268097436	10	11	114.00
LPPFMC44X-10	3/4" F1960 X 3/4" LF MPT	81019397	098268097504	10	11	132.50
LPPF737X-10	3/8" F1960 X 1/2" LF F SWT	81019371	098268096576	10	11	80.25
LPPF637X-10	3/8" F1960 X 1/2" LF M SWT	81019370	098268096569	10	11	91.50
LPPFSF55X-10	1" F1960 X 1" LF F SWT	81019769	098268129151	10	24	169.00
LPPF55X-10	1" F1960 x 1" LF FPT	81019758	098268129038	10	24	265.00
LPPFSM55X-10	1" F1960 x 1" LF M SWT	81019767	098268129281	10	24	178.00
LPPFM55X-10	1" F1960 x 1" LF MPT	81019756	098268128932	10	24	269.00
LPPFF54X-10	3/4" F1960 x 1" LF FPT	81019759	098268129045	10	22	218.00
LPPFSF54X-10	3/4" F1960 x 1" LF F SWT	81019770	098268129199	10	11	134.50
LPPFSM54X-10	3/4" F1960 x 1" LF M SWT	81019768	098268129144	10	11	135.00
LPPFM54X-10	3/4" F1960 x 1" LF MPT	81019757	098268129021	10	11	209.00

LEAD FREE*

Couplings



Coupling

Model No.	Description/Size	Ordering Code	UPC	Net Content	Net Content Weight (lbs)	List Price
LPPFC22X-10	3/8" F1960 LF	81019372	098268096583	10	2	65.25
LPPFC33X-10	1/2" F1960 LF	81019378	098268096675	10	3	44.25
LPPFC44X-10	3/4" F1960 LF	81019396	098268097450	10	5	92.75
LPPFC55X-10	1" F1960 LF	81019765	098268129120	10	9	159.50
LPPFC54X-10	1" F1960 LF x 3/4" F1960 LF	81019766	098268129274	10	8	138.00

LEAD FREE*

Elbows



Elbow

Model No.	Description/Size	Ordering Code	UPC	Net Content	Net Content Weight (lbs)	List Price
LPPFE33X-10	1/2" F1960 LF	81019375	098268096620	10	3	109.50
LPPFE44X-10	3/4" F1960 LF	81019390	098268097108	10	5	139.00
LPPFE77F-10	3/4" F1960 X 3/4" F SWT	81019391	098268097214	10	5	185.50
LPPFE77M-10	3/4" F1960 X 3/4" M SWT	81019392	098268097245	10	5	185.50
LPPFE55X-10	1" F1960 LF	81019760	098268129052	10	7	256.50

LEAD FREE*

Drop Ear Elbows

Model No.	Description/Size	Ordering Code	UPC	Net Content	Net Content Weight (lbs)	List Price
LPPFDE32X-10	1/2" F1960 LF x 3/8" FPT	81020168	098268166392	10	17	206.50
LPPFDE33X-10	1/2" F1960 LF x 1/2" FPT	0653398	098268163322	10	17	163.00
LPPFDE44X-10	3/4" F1960 LF x 3/4" FPT	81020167	098268165975	10	18	403.00
LPPFDE55X-10	1" F1960 LF x 1" FPT	81020169	098268166064	10	20	606.00

LEAD FREE*

*The wetted surface of this product contacted by consumable water contains less than 0.25% of lead by weight.

Net Content = Quantity of individual pieces or feet contained in the consumer unit.

Brass F1960 Fittings — cont'd

Model No.	Description/Size	Ordering Code	UPC	Net Content	Net Content Weight (lbs)	List Price
-----------	------------------	---------------	-----	-------------	--------------------------	------------

BSP Fittings

LEAD FREE* LFPFB34X-10	FTG 1/2" F1960 X 3/4" BSP	81019381	098268096743	10	5	\$ 163.00
LFPFB44X-10	FTG 3/4" F1960 X 3/4" BSP	81019399	098268097566	10	7	277.50
LFPFB24X-10	FTG 3/8" F1960 X 3/4" BSP	81019373	098268096590	10	6	192.50
LFPFB64X-10	FTG 5/8" F1960 X 3/4" BSP	81019387	098268097061	10	8	214.50

Tees

LEAD FREE* LFPFT333X-10	1/2" LF F1960	81019374	098268096613	10	8	132.00
LFPFT444X-10	3/4" LF F1960	81019393	098268097320	10	13	291.00
LFPFT555X-10	1" LF F1960	81019764	098268129069	10	17	346.00
LFPFT5550X-10	1" x 1" x 1/2" LF F1960	81019762	098268129236	10	16	337.50
LFPFT554X-10	1" x 1" x 3/4" LF F1960	81019763	098268129267	10	16	404.00
LFPFT544X-10	1" x 3/4" x 3/4" LF F1960	81019761	098268129229	10	17	372.00

Stubout Brackets and Elbows

LEAD FREE* LFWPASB08-0408	LF Copper Stub Ell, 1/2" F1960 x 1/2" Cpr Stubout Elbow (4x8)	81019935	840213001438	10	28	183.00
LFWPASB08-13x8	LF Copper Stub Ell, 1/2" F1960 x 1/2" Cpr Stubout Elbow (13x8)	81019936	840213001445	10	32	260.50
LFWPASB12-0408	LF Copper Stub Ell, 3/4" F1960 x 3/4" Cpr Stubout Elbow (4x8)	81019938	840213001452	10	32	409.00
LFWPASB08-08	LF Copper Straight Stub, 1/2" F1960 x 1/2" Cpr Straight Stub - 8"	81019940	840213001469	10	25	188.00
LFWPASB08-15	LF Copper Straight Stub, 1/2" F1960 x 1/2" Cpr Straight Stub - 15"	81019946	840213001476	10	28	225.50



Tee

*The wetted surface of this product contacted by consumable water contains less than 0.25% of lead by weight.

Net Content = Quantity of individual pieces or feet contained in the consumer unit.

PPSU F1960 Fittings

Model No.	Description/Size	Ordering Code	UPC	Net Content	Net Content Weight (lbs)	List Price
-----------	------------------	---------------	-----	-------------	--------------------------	------------

Adapters



Male NPT Adapter

LEAD FREE*	LFWPE12P-0808PB	1/2" F1960 x 1/2" MPT PPSU LF	0653381	098268148121	10	2	\$ 22.50
	LFWPE12P-1212PB	3/4" F1960 x 3/4" MPT PPSU LF	0653382	098268148138	10	2	28.00

Couplings



Coupling

LEAD FREE*	LFWPE15P-0808PB	1/2" F1960 PPSU LF	0653383	098268148145	10	2	17.75
	LFWPE15P-1212PB	3/4" F1960 PPSU LF	0653384	098268148367	10	2	22.50
	LFWPE15P-1616PB	1" F1960 PPSU LF	0653374	098268147742	10	2	34.75
	LFWPE15P-1612PB	1" x 3/4" F1960 PPSU LF	0653375	098268147759	10	2	44.75

Elbows



Elbow

LEAD FREE*	LFWPE19P-0808PB	90DEG 1/2" F1960 PPSU LF	0653385	098268148442	10	2	22.00
	LFWPE19P-1212PB	90DEG 3/4" F1960 PPSU LF	0653386	098268148497	10	2	27.00
	LFWPE19P-1616PB	90DEG 1" F1960 PPSU LF	0653376	098268147773	10	2	55.50

Plugs



Plug

LEAD FREE*	LFWPE24P-08PB	1/2" F1960 PPSU LF	0653389	098268148602	10	2	15.00
	LFWPE24P-12PB	3/4" F1960 PPSU LF	0653390	098268148640	10	2	16.25
	LFWPE24P-16PB	1" F1960 PPSU LF	0653391	098268148664	10	2	33.00

Tees



Tees

LEAD FREE*	LFWPE18P-080808PB	1/2" F1960 PPSU LF	0653387	098268148558	10	3	22.00
	LFWPE18P-121212PB	3/4" F1960 PPSU LF	0653388	098268148565	10	3	34.75
	LFWPE18P-120808PB	3/4" x 1/2" x 1/2" F1960 PPSU LF	0653400	840213001254	10	3	31.75
	LFWPE18P-120812PB	3/4" x 1/2" x 3/4" F1960 PPSU LF	0653401	098268166088	10	3	38.00
	LFWPE18P-121208PB	3/4" x 3/4" x 1/2" F1960 PPSU LF	0653399	840213001247	10	3	27.00
	LFWPE18P-161616PB	1" F1960 PPSU LF	0653377	098268147926	10	3	62.50
	LFWPE18P-161212PB	1" x 3/4" x 3/4" F1960 PPSU LF	0653380	098268147971	10	4	55.00
	LFWPE18P-161608PB	1" x 1" x 1/2" F1960 PPSU LF	0653378	098268147933	10	4	57.50
	LFWPE18P-161612PB	1" x 1" x 3/4" F1960 PPSU LF	0653379	098268147964	10	4	63.75

Multi-Port Tees

LEAD FREE*	LFWPPME1212-08x2PB	TEE 3/4" 2PRT OPN F1960 PPSU LF	0653395	098268148756	1	2	9.25
	LFWPPME12-08x3PB	TEE 3/4" 3PRT CLSD F1960 PPSU LF	0653392	098268148718	1	2	10.75
	LFWPPME1212-08x3PB	TEE 3/4" 3PRT OPN F1960 PPSU LF	0653396	098268148763	1	2	12.75
	LFWPPME12-08x4PB	TEE 3/4" 4PRT CLSD F1960 PPSU LF	0653393	098268148732	1	2	15.50
	LFWPPME1212-08x4PB	TEE 3/4" 4PRT OPN F1960 PPSU LF	0653397	098268148787	1	2	15.50
	LFWPPME12-08x6PB	TEE 3/4" 6PRT CLSD F1960 PPSU LF	0653394	098268148749	1	2	19.00

Expansion Rings for F1960 Fittings (Brass /PPSU)

Model No.	Description/Size	Ordering Code	UPC	Net Content	Net Content Weight (lbs)	List Price
-----------	------------------	---------------	-----	-------------	--------------------------	------------



PEX Ring

LEAD FREE*	PFS2-10	3/8" F1960 Sleeve	81019400	098268097665	10	1	\$ 7.00
	PFS3-10	1/2" F1960 Sleeve	81019401	098268097672	10	1	3.75
	PFS3-100	1/2" F1960 Sleeve	81020170	840213001377	100	3	34.50
	PFS4-10	3/4" F1960 Sleeve	81019403	098268097863	10	1	7.50
	PFS4-100	3/4" F1960 Sleeve	81020171	840213001384	100	4	72.00
	PFS5-10	1" F1960 Sleeve	81019755	098268128918	10	2	9.75

*The wetted surface of this product contacted by consumable water contains less than 0.25% of lead by weight.

Net Content = Quantity of individual pieces or feet contained in the consumer unit.

WaterPEX® Tubing

Watts WaterPEX® is manufactured in accordance with ASTM International F876 and F877 to SDR-9 dimensional standards. It is listed by the National Sanitation Foundation to NSF Standards 14 and 61 for use in potable water systems. WaterPEX® is listed by NSF to be in compliance to the Uniform Plumbing Code. All WaterPEX® is labeled B137.5 which indicates that it is compliant to the CSA Standards B137.5.



Red, Blue and White Coils

Model No.	Description/Size	Ordering Code	UPC	Net Content	Consumer Unit Weight (lbs)	List Price
-----------	------------------	---------------	-----	-------------	----------------------------	------------

Red Coils

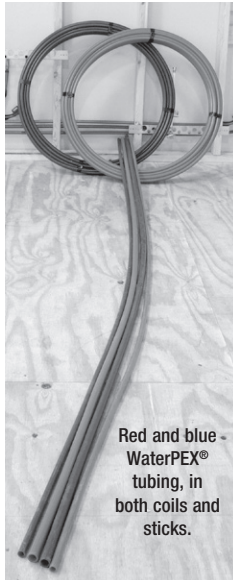
WPTC06-100R	3/8" x 100' coil	0650375	098268310955	100'	4	\$ 61.25
WPTC08-100R	1/2" x 100' coil	0650377	098268310979	100'	6	70.00
WPTC08-250R	1/2" x 250' coil	0651057	098268358858	250'	14	174.50
WPTC08-300R	1/2" x 300' coil	0650996	098268336160	300'	17	209.00
WPTC08-500R	1/2" x 500' coil	0650378	098268311167	500'	28	348.00
WPTC08-1000R	1/2" x 1000' coil	0650379	098268311174	1000'	55	695.00
WPTC12-100R	3/4" x 100' coil	0650380	098268311181	100'	11	121.50
WPTC12-300R	3/4" x 300' coil	0651000	098268337532	300'	32	364.50
WPTC12-500R	3/4" x 500' coil	0650381	098268311198	500'	53	604.50
WPTC12-1000R	3/4" x 1000' coil	0650382	098268311204	1000'	105	1,209.00
WPTC16-100R	1" x 100' coil	0650372	098268527810	100'	17.2	215.00
WPTC16-500R	1" x 500' coil	0650320	098268539134	500'	86	1,070.00

Blue Coils

WPTC06-100B	3/8" x 100' coil	0650383	098268311228	100'	4	61.25
WPTC06-500B	3/8" x 500' coil	0650384	098268311235	500'	20	306.50
WPTC08-100B	1/2" x 100' coil	0650385	098268311242	100'	6	70.00
WPTC08-250B	1/2" x 250' coil	0651055	098268358834	250'	14	174.50
WPTC08-300B	1/2" x 300' coil	0650997	098268336177	300'	17	209.00
WPTC08-500B	1/2" x 500' coil	0650386	098268311259	500'	28	348.00
WPTC08-1000B	1/2" x 1000' coil	0650387	098268311266	1000'	55	695.00
WPTC12-100B	3/4" x 100' coil	0650388	098268311273	100'	11	121.50
WPTC12-250B	3/4" x 250' coil	0651056	098268358841	250'	26	302.50
WPTC12-300B	3/4" x 300' coil	0651001	098268337655	300'	32	364.50
WPTC12-500B	3/4" x 500' coil	0650389	098268311280	500'	53	604.50
WPTC12-1000B	3/4" x 1000' coil	0650390	098268311310	1000'	105	1,209.00
WPTC16-100B	1" x 100' coil	0650371	098268527803	100'	17.2	215.00
WPTC16-500B	1" x 500' coil	0650321	098268539141	500'	86	1,070.00

White Coils

WPTC02-100W	1/8" x 100' coil	0650374	098268337280	100'	3	45.00
WPTC04-100W	1/4" x 100' coil	0650391	098268311327	100'	3	60.25
WPTC06-100W	3/8" x 100' coil	0650392	098268311334	100'	4	61.25
WPTC06-500W	3/8" x 500' coil	0650393	098268311341	500'	20	306.50
WPTC08-100W	1/2" x 100' coil	0650394	098268311358	100'	6	70.00
WPTC08-250W	1/2" x 250' coil	0651035	098268351989	250'	14	174.50
WPTC08-300W	1/2" x 300' coil	0650998	098268336184	300'	17	209.00
WPTC08-500W	1/2" x 500' coil	0650395	098268311365	500'	28	348.00
WPTC08-1000W	1/2" x 1000' coil	0650396	098268311372	1000'	55	695.00
WPTC12-100W	3/4" x 100' coil	0650397	098268311389	100'	11	121.50
WPTC12-250W	3/4" x 250' coil	0651036	098268351729	250'	26	302.50
WPTC12-300W	3/4" x 300' coil	0651002	098268337549	300'	32	364.50
WPTC12-500W	3/4" x 500' coil	0650398	098268311396	500'	53	604.50
WPTC12-1000W	3/4" x 1000' coil	0650399	098268311402	1000'	105	1,209.00
WPTC16-100W	1" x 100' coil	0650400	098268311419	100'	17	215.00
WPTC16-300W	1" x 300' coil	0651024	098268351934	300'	50.4	535.50
WPTC16-500W	1" x 500' coil	0650401	098268311426	500'	84	1,070.00
WPTC20-100W	1 1/4" x 100' coil	0650402	098268311440	100'	25	353.00
WPTC20-300W	1 1/4" x 300' coil	0650403	098268311457	300'	76	1,059.00
WPTC24-100W	1 1/2" x 100' coil	0651090	098268479744	100'	35.4	768.50
WPTC24-300W	1 1/2" x 300' coil	0651091	098268479751	300'	106.2	2,305.00
WPTC28-100W	2" x 100' coil	0651092	098268479768	100'	60	1,081.00



Red and blue - WaterPEX® tubing, in both coils and sticks.



White WaterPEX®

*The wetted surface of this product contacted by consumable water contains less than 0.25% of lead by weight.

Net Content = Quantity of individual pieces or feet contained in the consumer unit.

Red, Blue and White 20' Sticks

Model No.	Description/Size	Ordering Code	UPC	Net Content	Consumer Unit Weight (lbs)	List Price
-----------	------------------	---------------	-----	-------------	----------------------------	------------

Red Sticks

LEAD FREE*	WPTS08-50R	1/2" x 20' Sticks	0650404	098268311464	50 Sticks	43	\$ 722.50
	WPTS08-25R	1/2WPx20'-25Sticks-Red	0651026	098268351958	25 Sticks	21	362.00
	WPTS12-25R	3/4" x 20' Sticks	0650405	098268311471	25 Sticks	33	629.00
	WPTS12-10R	3/4" x 20' Sticks	0651029	098268351927	10 Sticks	21	254.00
	WPTS16-5R	1WPx20'-5 Sticks-Red	0651081	098268456066	5 Sticks	18	224.00

Blue Sticks

LEAD FREE*	WPTS08-50B	1/2" x 20' Sticks	0650406	098268311501	50 Sticks	43	722.50
	WPTS12-25B	3/4" x 20' Sticks	0650407	098268311518	25 Sticks	33	629.00
	WPTS08-25B	1/2" x 20' Sticks	0651025	098268351941	25 Sticks	28	362.00
	WPTS12-10B	3/4" x 20' Sticks	0651028	098268351972	10 Sticks	21	254.00
	WPTS16-5B	1WPx20'-5 Sticks-Blue	0651082	098268456073	5 Sticks	18	224.00

White Sticks

LEAD FREE*	WPTS08-50W	1/2" x 20' Sticks	0650408	098268311525	50 Sticks	43	722.50
	WPTS12-25W	3/4" x 20' Sticks	0650409	098268311532	25 Sticks	33	629.00
	WPTS12-10W	3/4" x 20' Sticks	0651027	098268351965	10 Sticks	21	254.00
	WPTS16-5W	1" x 20' Sticks	0650410	098268311549	5 Sticks	18	224.00
	WPTS20-5W	1 1/4" x 20' Sticks	0650411	098268311556	5 Sticks	28	367.00
	WPTS24-5W	1 1/2" x 20' Sticks	0651093	098268479775	5 Sticks	35.4	799.00
	WPTS28-5W	2" x 20' Sticks	0651094	098268479836	5 Sticks	60	1,124.00

10' Sticks - Fast Packs

Red Sticks

LEAD FREE*	WPFP08-50R	1/2" x 10' Sticks	0651010	098268340518	50 Sticks	28	373.50
	WPFP12-25R	3/4" x 10' Sticks	0651011	098268340525	25 Sticks	26	325.00

Blue Sticks

LEAD FREE*	WPFP08-50B	1/2" x 10' Sticks	0651012	098268340532	50 Sticks	28	372.50
	WPFP12-25B	3/4" x 10' Sticks	0651013	098268340549	25 Sticks	26	325.00

White Sticks

LEAD FREE*	WPFP08-50W	1/2" x 10' Sticks	0651014	098268340556	50 Sticks	28	372.50
	WPFP12-25W	3/4" x 10' Sticks	0651015	098268340624	25 Sticks	26	325.00



Stud Reel with Tubing

Red

LEAD FREE*	WPSR06-500R	3/8" x 500' Stud Reel	0651018	098268344073	500'	30	342.50
	WPSR08-300R	1/2" x 300' Stud Reel	0651020	098268344103	300'	24	234.00

Blue

LEAD FREE*	WPSR06-500B	3/8" x 500' Stud Reel	0651017	098268344066	500'	30	342.50
	WPSR08-300B	1/2" x 300' Stud Reel	0651019	098268344080	300'	24	234.00

White

LEAD FREE*	WPSR08-300W	1/2" x 300' Stud Reel	0651042	098268358780	300'	24	234.00
------------	-------------	-----------------------	---------	--------------	------	----	--------



*The wetted surface of this product contacted by consumable water contains less than 0.25% of lead by weight.

Net Content = Quantity of individual pieces or feet contained in the consumer unit.

Plastic Manifolds

Mini CrimpRing™ Poly-Alloy Multi-Port Tees

Mini CrimpRing Poly-Alloy multi-port tees are used to create multiple connections for circuit and branch applications using a single fitting with WaterPEX pipe. Manufactured from Acudel®, these multi-port tees are manufactured in accordance with ASTM International F877 and F2159, and are listed by NSF to standards 14 and 61 for use in potable water systems. For more information regarding agency listings, dimensions and cautions, please request submittal sheet ES-WP-PACrimpManifolds.



WPPM-1212-M2AF



WPPM-1612-M4AF

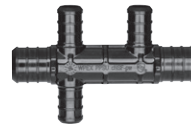


WPPM-1616-M6AF

Model No.	Description/Size	Ordering Code	UPC	Net Content	Consumer Unit Weight (lbs)	List Price
-----------	------------------	---------------	-----	-------------	----------------------------	------------

Flow Through - Side Ports

LEAD FREE*	WPPM-1212-M2AF	3/4 x 3/4 x 1/2	0651800	098268493627	1	0.03	\$ 13.50
	WPPM-1212-M3AF	3/4 x 3/4 x 1/2	0651801	098268493634	1	0.05	18.00
	WPPM-1212-M4AF	3/4 x 3/4 x 1/2	0651802	098268493641	1	0.06	20.50
	WPPM-1612-M4AF	1 x 3/4 x 1/2	0651803	098268493658	1	0.10	28.75
	WPPM-1612-M6AF	1 x 3/4 x 1/2	0651806	098268493689	1	0.14	39.25
	WPPM-1616-M6AF	1 x 1 x 1/2	0651807	098268493697	1	0.15	40.00



WPPM-1212-M3BF



WPPM-1212-M4BF

Flow Through - Offset Ports

LEAD FREE*	WPPM-1212-M3BF	3/4 x 3/4 x 1/2	0651804	098268493665	1	0.04	14.00
	WPPM-1212-M4BF	3/4 x 3/4 x 1/2	0651805	098268493672	1	0.04	14.50

*The wetted surface of this product contacted by consumable water contains less than 0.25% of lead by weight.

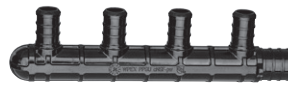
Net Content = Quantity of individual pieces or feet contained in the consumer unit.

Plastic Manifolds

Mini CrimpRing™ Poly-Alloy Multi-Port Tees

Mini CrimpRing Poly-Alloy multi-port tees are used to create multiple connections for circuit and branch applications using a single fitting with WaterPEX pipe. Manufactured from Acudel®, these multi-port tees are manufactured in accordance with ASTM International F877 and F2159, and are listed by NSF to standards 14 and 61 for use in potable water systems. For more information regarding agency listings, dimensions and cautions, please request submittal sheet ES-WP-PACrimpManifolds.

Model No.	Description/Size	Ordering Code	UPC	Net Content	Consumer Unit Weight (lbs)	List Price
-----------	------------------	---------------	-----	-------------	----------------------------	------------



WPPM-12-M4AB



WPPM-16-M6AB

Closed End - Side Ports

LEAD FREE*	WPPM-12-M4AB	3/4 x CLOSED x 1/2	0651808	098268493702	1	0.06	20.25
	WPPM-16-M6AB	1 x CLOSED x 1/2	0651809	098268493719	1	0.14	39.25



WPPM-12-M3BB



WPPM-12-M4BB

Closed End - Offset Ports

LEAD FREE*	WPPM-12-M3BB	3/4 x CLOSED x 1/2	0651810	098268493856	1	0.03	13.50
	WPPM-12-M4BB	3/4 x CLOSED x 1/2	0651811	098268493863	1	0.04	14.00

*The wetted surface of this product contacted by consumable water contains less than 0.25% of lead by weight.

Net Content = Quantity of individual pieces or feet contained in the consumer unit.

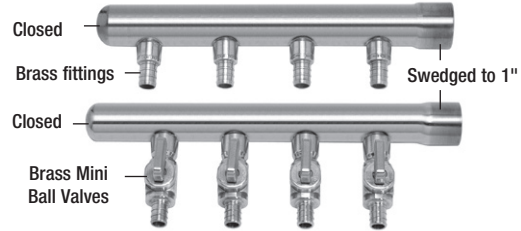
Lead Free* Copper Manifolds

(with Lead Free* Brass Fittings and Ball Valves)

Lead Free* Copper manifolds are available in five styles, with or without ball valves. The ends of the manifold trunks are either open, closed, or supplied with 3/4" crimp fittings. Manifolds are made of type "L" copper. **All fittings are brass and are brazed to the copper trunk.** Order copper CrimpRings™ separately.

Closed End x 1" Swedged End Manifolds

1" diameter manifold trunks are closed at one end and swedged to accept 1" copper at the other. Available with 3/8" and 1/2" brass CrimpRing™ fittings, with or without 1/4-turn brass mini ball valves (MBV), in sizes from M3 to M12. Branches are 2" O.C. Manifolds are sold individually. Order one for hot and one for cold.



Model No.	Description/Size	Ordering Code	UPC	Net Content	Consumer Unit Weight (lbs)	List Price	
LEAD FREE*	LFWPCM1-M3-08	3 Branch x 1/2" CF	0121097	098268578133	1	1.0	\$ 90.25
	LFWPCM1-M4-08	4 Branch x 1/2" CF	0121098	098268578140	1	1.0	95.50
	LFWPCM1-M6-08	6 Branch x 1/2" CF	0121099	098268578157	1	2.0	99.75
	LFWPCM1-M8-08	8 Branch x 1/2" CF	0121100	098268578164	1	2.0	119.50
	LFWPCM1-M10-08	10 Branch x 1/2" CF	0121101	098268578171	1	2.0	152.00
	LFWPCM1-M12-08	12 Branch x 1/2" CF	0121102	098268578188	1	2.0	171.50
With Mini Ball Valves (MBV's)							
LEAD FREE*	LFWPCM1-M3-08B	3 Branch x 1/2" CF/MBV	0121103	098268578195	1	2.0	180.50
	LFWPCM1-M4-08B	4 Branch x 1/2" CF/MBV	0121104	098268578201	1	2.0	227.00
	LFWPCM1-M6-08B	6 Branch x 1/2" CF/MBV	0121105	098268578218	1	3.0	289.00
	LFWPCM1-M8-08B	8 Branch x 1/2" CF/MBV	0121106	098268578225	1	3.0	360.50
	LFWPCM1-M10-08B	10 Branch x 1/2" CF/MBV	0121107	098268578249	1	5.0	423.00
	LFWPCM1-M12-08B	12 Branch x 1/2" CF/MBV	0121108	098268578256	1	5.0	503.00

*The wetted surface of this product contacted by consumable water contains less than 0.25% of lead by weight.

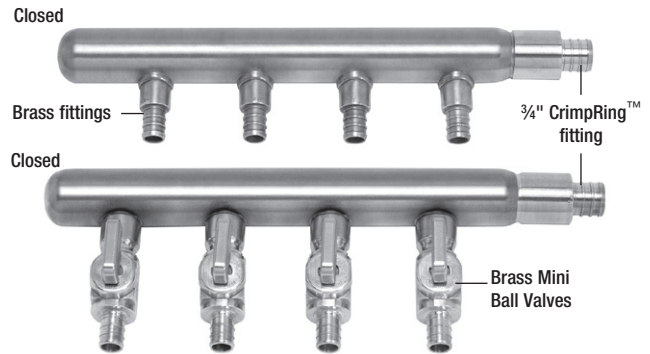
Net Content = Quantity of individual pieces or feet contained in the consumer unit.

Lead Free* Copper Manifolds

(with Lead Free* Brass Fittings and Ball Valves)

Closed End x 3/4" CrimpRing™ End Manifolds

1" diameter manifold trunks are closed at one end and have a 3/4" brass CrimpRing™ fitting at the supply end. Available with 1/2" brass CrimpRing™ fittings, with or without 1/4-turn brass mini ball valves (MBV), in sizes from M3 to M12. Branches are 2" O.C. Manifolds are sold individually. Order one for hot and one for cold.



Model No.	Description/Size	Ordering Code	UPC	Net Content	Consumer Unit Weight (lbs)	List Price	
LEAD FREE*	LFWPCM2-M4-08	4 Branch x 3/4" CF - 1/2" CF	0121110	098268578270	1	1.0	\$ 95.50
	LFWPCM2-M6-08	6 Branch x 3/4" CF - 1/2" CF	0121111	098268578287	1	2.0	111.50
	LFWPCM2-M8-08	8 Branch x 3/4" CF - 1/2" CF	0121112	098268578294	1	2.0	136.00
	LFWPCM2-M10-08	10 Branch x 3/4" CF - 1/2" CF	0121113	098268578331	1	3.0	168.00
	LFWPCM2-M12-08	12 Branch x 3/4" CF - 1/2" CF	0121114	098268578362	1	3.0	188.50

With Mini Ball Valves (MBV's)

LEAD FREE*	LFWPCM2-M4-08B	4 Branch x 3/4" CF - 1/2" CF/MBV	0121116	098268578409	1	2.0	233.50
	LFWPCM2-M6-08B	6 Branch x 3/4" CF - 1/2" CF/MBV	0121117	098268578515	1	3.0	306.00
	LFWPCM2-M8-08B	8 Branch x 3/4" CF - 1/2" CF/MBV	0121118	098268578522	1	4.0	377.00
	LFWPCM2-M10-08B	10 Branch x 3/4" CF - 1/2" CF/MBV	0121119	098268578546	1	5.0	439.00

*The wetted surface of this product contacted by consumable water contains less than 0.25% of lead by weight.

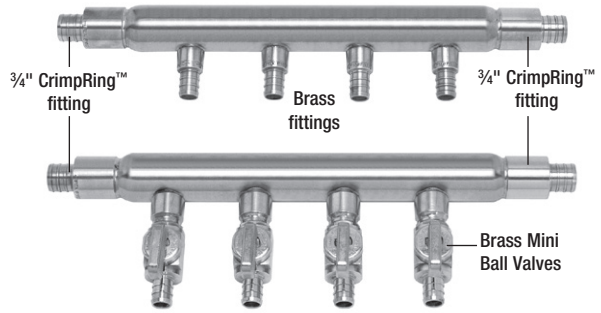
Net Content = Quantity of individual pieces or feet contained in the consumer unit.

Lead Free* Copper Manifolds

(with Lead Free* Brass Fittings and Ball Valves)

3/4" CrimpRing™ End x 3/4" CrimpRing™ End "Flow-Through" Manifolds

Flow-through manifolds have 3/4" brass CrimpRing™ fittings at both ends. This allows water supply to continue through the manifold to the next group of fixtures. Available with 1/2" brass CrimpRing™ fittings, with or without 1/4-turn brass mini ball valves (MBV), in sizes from M3 to M12. Branches are 2" O.C. Manifolds are sold individually. Order one for hot and one for cold.



Model No.	Description/Size	Ordering Code	UPC	Net Content	Consumer Unit Weight (lbs)	List Price	
LEAD FREE*	LFWPCM3-3-08	3 Branch x 3/4" CF x 3/4" CF - 1/2" CF	0121121	098268578577	1	1.0	\$ 105.00
	LFWPCM3-M4-08	4 Branch x 3/4" CF x 3/4" CF - 1/2" CF	0121122	098268578584	1	1.0	111.50
	LFWPCM3-M6-08	6 Branch x 3/4" CF x 3/4" CF - 1/2" CF	0121123	098268578591	1	2.0	129.50
	LFWPCM3-M8-08	8 Branch x 3/4" CF x 3/4" CF - 1/2" CF	0121124	098268578621	1	2.0	152.00
	LFWPCM3-M10-08	10 Branch x 3/4" CF x 3/4" CF - 1/2" CF	0121125	098268578638	1	2.0	184.00
	LFWPCM3-M12-08	12 Branch x 3/4" CF x 3/4" CF - 1/2" CF	0121126	098268578645	1	3.0	204.50
With Mini Ball Valves (MBV's)							
LEAD FREE*	LFWPCM3-M4-08B	4 Branch x 3/4" CF x CF - 1/2" CF/MBV	0121128	098268578669	1	2.0	249.50
	LFWPCM3-M6-08B	6 Branch x 3/4" CF x CF - 1/2" CF/MBV	0121129	098268578676	1	3.0	321.50
	LFWPCM3-M8-08B	8 Branch x 3/4" CF x CF - 1/2" CF/MBV	0121140	098268579031	1	4.0	393.50
	LFWPCM3-M10-08B	10 Branch x 3/4" CF x CF - 1/2" CF/MBV	0121130	098268578683	1	5.0	455.50
	LFWPCM3-M12-08B	12 Branch x 3/4" CF x CF - 1/2" CF/MBV	0121131	098268578690	1	5.0	535.50

*The wetted surface of this product contacted by consumable water contains less than 0.25% of lead by weight.

Net Content = Quantity of individual pieces or feet contained in the consumer unit.

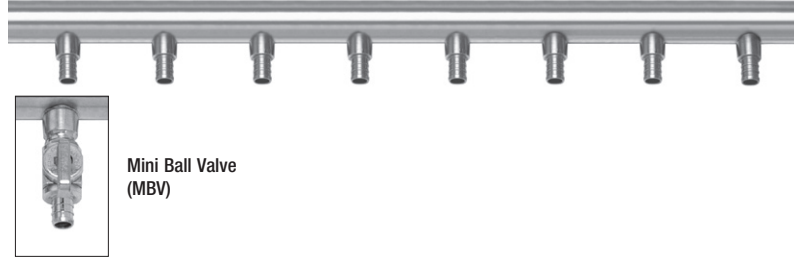
Lead Free* Copper Manifolds

(with Lead Free* Brass Fittings and Ball Valves)

CustomCut™ Copper Manifolds - 1 Trunk x 16 - Branch - 3" O.C. Fittings

CustomCuts™ are designed to be cut up in the field. Cut off five branches for a 5-branch manifold, seven for a 7-branch manifold, etc. All CustomCuts™ are 4' long with 16 fittings spaced 3" apart, so a pipe cutter can fit between the branches. CustomCuts™ come with or without MBVs, with either 3/8" crimp fittings, 1/2" crimp fittings, or with 1/2" base branches to accept any type of 1/2" nominal crimp fitting or Watts Mini Ball Valve (MBV).

All fittings are Lead Free brass.



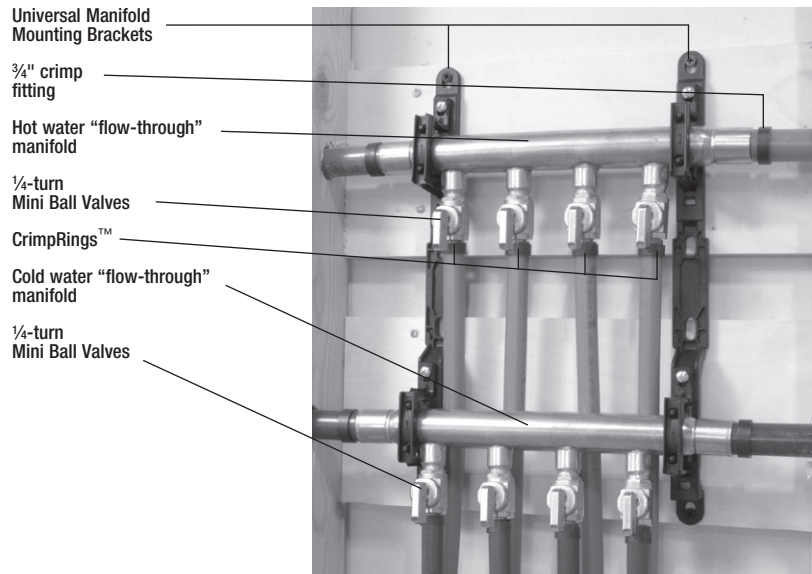
Mini Ball Valve (MBV)

	Model No.	Description/Size	Ordering Code	UPC	Net Content	Consumer Unit Weight (lbs)	List Price
LEAD FREE*	LFWPCM-5-M16-06	16 Branch x 3/8" CF	0121135		1	5.0	\$ 281.50
	LFWPCM5-M16-08	16 Branch x 1/2" CF	0121136		1	5.0	268.00
With Mini Ball Valves (MBV's)							
LEAD FREE*	LFWPCM-5-M16-06B	16 Branch x 3/8" CF/MBV	0121138		1	9.0	1,032.00

Putting it Together.

Manifolds are the heart of the WaterPEX® plumbing system. Choosing the correct manifold is important. The photograph at left shows an example of a "flow-through" manifold configuration and some of the WaterPEX® components that make it work.

All Watts copper manifolds are made with brass fittings and brass ball valves.



*The wetted surface of this product contacted by consumable water contains less than 0.25% of lead by weight.

Net Content = Quantity of individual pieces or feet contained in the consumer unit.

PEX Valves and Accessories

Stops and Valves

1/4-Turn Chrome Stops

Ever snapped the stem off a plastic stop? These solid brass valves (even the stem is brass) open or shut in a 1/4-turn. Trusted Watts quality in a chrome plated ball valve. Best choice for longevity and frequent use. Sweat, compression, or crimp fittings provide for a quick, reliable connection.

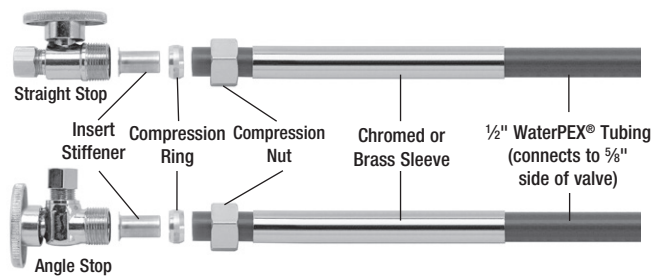


LEAD FREE*

Model No.	Description/Size	Ordering Code	UPC	Net Content	Consumer Unit Weight (lbs)	Case Qty	Case Weight (lbs)	List Price
LFWPSS-1PB	1/2" CF x 3/8" OD Comp. Straight	0121141	098268730593	1	1.0	50	50	\$ 12.00
LFWPAS-2PB	1/2" CF x 3/8" OD Comp. Angle	0121142	098268730654	1	1.0	50	50	13.25
LFWPSS-3PB	1/2" CF x 1/2" CF Straight	0121143	098268579079	1	1.0	50	50	16.50

PEX Stops

These 1/4-turn Stops include insert stiffeners and compression rings for use with 1/2" WaterPEX®. Brass or chrome sleeves (sold separately) slide over 1/2" WaterPEX® to give a sleek, finished appearance all the way to the wall.



Model No.	Description/Size	Ordering Code	UPC	Net Content	Consumer Unit Weight (lbs)	Case Qty	Case Weight (lbs)	List Price
-----------	------------------	---------------	-----	-------------	----------------------------	----------	-------------------	------------

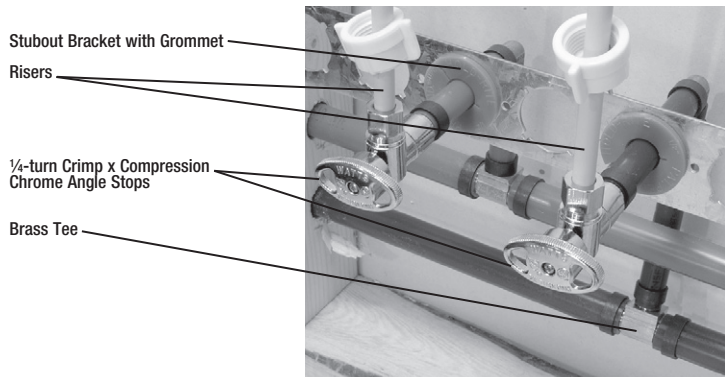
PolyBag

LEAD FREE*

LFWPSS-8PB	5/8" OD x 3/8" OD – PEX (Straight)	0121148	098268730692	1	1.0	50	50	\$ 13.25
LFWPAS-9PB	5/8" OD x 3/8" OD – PEX (Angle)	0121149	098268579093	1	1.0	50	50	14.00
WPChS-1PB	Chrome sleeve 5" - 1/2"	0650477	098268312553	1	0.01	10	0.1	9.00
WPIS-1PB	PEX Insert Stiffener - 1/2"	0650478	098268312560	1	2.0	1	2	3.50

Putting it Together.

The perfect bathroom setup. The photograph at right shows an example of a real-world PEX configuration for a bathroom sink and some of the WaterPEX® components that make it work.



*The wetted surface of this product contacted by consumable water contains less than 0.25% of lead by weight.

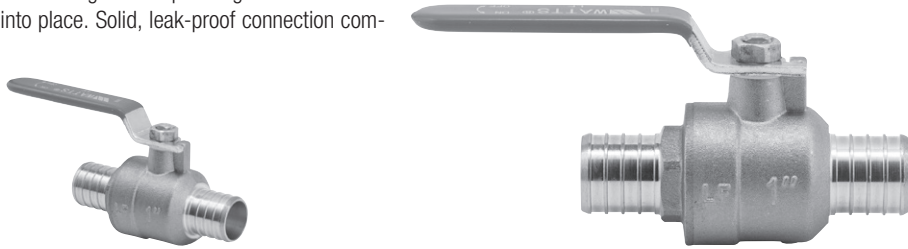
Net Content = Quantity of individual pieces or feet contained in the consumer unit.

PEX Valves and Accessories

Stops and Valves

In-line Crimp x Crimp Full Port Ball Valves

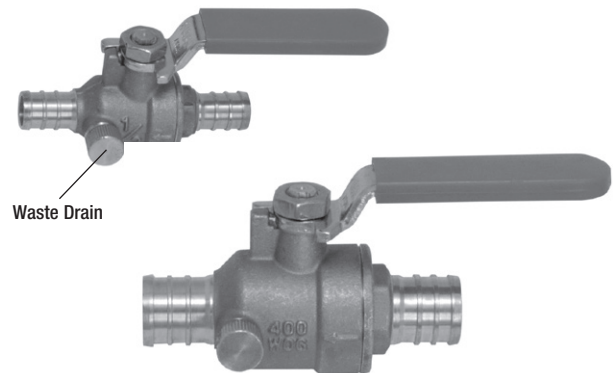
No soldering, no threading, and no waiting. Just slip a length of WaterPEX® pipe over the barbs, and crimp into place. Solid, leak-proof connection completed in a matter of seconds.



	Model No.	Description/Size	Ordering Code	UPC	Net Content	Consumer Unit Weight (lbs)	Case Qty	Case Weight (lbs)	List Price
LEAD FREE*	LFWPBV-08	1/2" CF x 1/2" CF	0653000	098268441123	1	1.0	40	40	\$ 14.50
	LFWPBV-12	3/4" CF x 3/4" CF	0653001	098268441130	1	1.0	40	40	23.50
	LFWPBV-16	1" CF x 1" CF	0653002	098268441147	1	1.0	24	24	41.50

In-line Crimp x Crimp Full Port Ball Valves with Waste Drain

This valve is the same as the Crimp x Crimp full port ball valve, but it includes a waste drain for draining with the valve in the closed position.



	Model No.	Description/Size	Ordering Code	UPC	Net Content	Consumer Unit Weight (lbs)	Case Qty	Case Weight (lbs)	List Price
LEAD FREE*	LFWPBVD-08	1/2" CF x 1/2" CF with Waste Drain	0653003	098268441154	1	1.0	40	40	\$ 26.75
	LFWPBVD-12	3/4" CF x 3/4" CF with Waste Drain	0653004	098268441161	1	1.0	40	40	41.00

*The wetted surface of this product contacted by consumable water contains less than 0.25% of lead by weight.

Net Content = Quantity of individual pieces or feet contained in the consumer unit.

PEX Valves and Accessories

Supply Line Fittings

Faucet Connection – Nut and Crimp Fitting

For connecting 3/8" or 1/2" WaterPEX® supply lines directly from manifold or branch supply to faucet. (Not needed if using WaterPEX® Risers or Flexible Risers.)



Model No.	Description/Size	Ordering Code	UPC	Net Content	Consumer Unit Weight (lbs)	Case Qty	Case Weight (lbs)	List Price
-----------	------------------	---------------	-----	-------------	----------------------------	----------	-------------------	------------

PolyBag

LEAD FREE*	LFWPFC-0608PB	3/8" CF x 1/2" FPT – Swivel Nut – Plastic	0121151	098268579116	10	0.6	10	6	\$ 27.75
	LFWPFC-0808PB	1/2" CF x 1/2" FPT – Swivel Nut – Plastic	0121152	098268579123	10	0.6	10	6	29.50
	LFWPFC-1212PB	3/4" CF x 3/4" FPT – Swivel Nut – Brass	0121153	098268579130	10	1.9	10	19	70.00

Bulk

LEAD FREE*	LFWPFC-0808	1/2" CF x 1/2" FPT – Swivel Nut – Plastic	0121155	098268579154	100	6.5	1	6.5	251.00
------------	-------------	---	---------	--------------	-----	-----	---	-----	--------

*The wetted surface of this product contacted by consumable water contains less than 0.25% of lead by weight.

Net Content = Quantity of individual pieces or feet contained in the consumer unit.

CrimpRing™ and CinchClamps™

Stainless Steel CinchClamps™

Perfect for connecting PEX to crimp-type fittings in hard-to-reach spaces. Simply pinch the tab closed with the CinchTool™ to make the connection. CinchClamps™ are made from corrosion-resistant annealed 304 stainless steel (meets NSF/ANSI Std. 14, ASTM International 2098).

NOTICE Watts WaterPEX CinchClamp™ fittings should not be used with wrought copper PEX fittings. When using CinchClamps when the ambient air temperature is below 30°F, extra care must be taken while making the connection. Keep the CinchClamps in a warm place if possible, and make the cinch at a slow, even pace. Failure to do so may cause the CinchClamp not to seal properly.



Model No.	Description/Size	Ordering Code	UPC	Net Content	Consumer Unit Weight (lbs)	Case Qty	Case Weight (lbs)	List Price
PolyBag								
WP9S-08PB	1/2"	0650538	098268313239	10	0.1	10	1	\$ 9.00
WP9S-12PB	3/4"	0650539	098268313246	10	0.2	10	2	12.25
WP9S-16PB	1"	0650540	098268313253	10	0.2	10	2	13.75
Bulk (Bagged)								
WP9S-06	3/8"	0650541	098268313260	100	0.8	10	8	79.50
WP9S-08	1/2"	0650542	098268313277	100	1.0	10	10	79.50
WP9S-12	3/4"	0650543	098268313284	100	1.9	10	19	109.00
WP9S-16	1"	0650544	098268313291	100	3.3	4	13	123.50

Close Ear (CE) CinchClamp™



Model No.	Description/Size	Ordering Code	UPC	Net Content	Consumer Unit Weight (lbs)	Case Qty	Case Weight (lbs)	List Price
PolyBag								
WP9CE-08PB		0651815	098268774832	10	0.1	10	1	\$ 10.25
WP9CE-12PB		0651816	098268774849	10	0.2	10	1	13.50
Bulk (Bagged)								
WP9CE-08		0651817	098268774856	100	1.08	10	10.8	87.50
WP9CE-12		0651818	098268774863	100	1.73	10	17.3	120.50

Copper PEX CrimpRings™

Proven by 20 years of experience, annealed copper CrimpRings™ provide a quick, safe, and reliable connection to WaterPEX® SDR-9 pipe. Simply slide one of these CrimpRings™ over the WaterPEX® pipe and crimp into place with the crimp tool.



Model No.	Description/Size	Ordering Code	UPC	Net Content	Consumer Unit Weight (lbs)	Case Qty	Case Weight (lbs)	List Price
PolyBag								
WP14C-06PB	3/8"	0650545	098268313307	10	0.1	10	1	\$ 6.25
WP14C-08PB	1/2"	0650546	098268313314	10	0.2	10	1	5.75
WP14C-12PB	3/4"	0650547	098268313321	10	0.1	10	1	6.50
WP14C-16PB	1"	0650548	098268313338	10	0.1	10	1	11.00
WP14C-20PB	1 1/4"	0650549	098268313345	5	0.1	10	1	15.75
Bulk (Bagged)								
WP14C-06	3/8"	0650550	098268313352	100	1.2	—	—	55.00
WP14C-08	1/2"	0650551	098268313369	100	1.55	—	—	47.75
WP14C-12	3/4"	0650552	098268313376	100	2.0	—	—	56.75
WP14C-16	1"	0650553	098268313383	100	2.5	—	—	95.00
WP14C-20	1 1/4"	0650554	098268313390	100	3.3	—	—	282.50

*The wetted surface of this product contacted by consumable water contains less than 0.25% of lead by weight.

Net Content = Quantity of individual pieces or feet contained in the consumer unit.

PEX Fittings - Brass

CrimpRing™ x Threaded Adapter

Thread adapters into the appropriate NPT fitting.

Crimp x FPT
Threaded Adapter



Crimp x MPT
Threaded Adapter



Model No.	Description/Size	Ordering Code	UPC	Net Content	Consumer Unit Weight (lbs)	Case Qty	Case Weight (lbs)	List Price
-----------	------------------	---------------	-----	-------------	----------------------------	----------	-------------------	------------

PolyBag

LFWP12B-0608PB	3/8" CF x 1/2" MPT	0653023	098268441352	10	0.9	10	9	\$ 52.00
LFWP12B-0808PB	1/2" CF x 1/2" MPT	0653024	098268441369	10	1.1	10	11	52.00
LFWP12B-0812PB	1/2" CF x 3/4" MPT	0653025	098268441376	10	1.2	100	12	73.25
LFWP12B-1208PB	3/4" CF x 1/2" MPT	0653026	098268441383	10	1.1	10	11	64.75
LFWP12B-1212PB	3/4" CF x 3/4" MPT	0653027	098268441390	10	1.4	10	14	78.00
LFWP12B-1216PB	3/4" CF x 1" MPT	0653028	098268441406	3	1.4	10	14	21.00
LFWP12B-1612PB	1" CF x 3/4" MPT	0653029	098268441413	3	0.5	10	19	30.75
LFWP12B-1616PB	1" CF x 1" MPT	0653030	098268441420	3	2.4	10	24	33.25
LFWP12B-2016PB	1 1/4" CF x 1" MPT	0653031	098268441437	3	2.6	10	26	115.00
LFWP12B-2020PB	1 1/4" CF X 1 1/4" MPT	0653153	098268442656	3	1.4	30	14	137.50
LFWP13B-0808PB	1/2" CF x 1/2" FPT	0653032	098268441444	5	1.4	10	14	33.00
LFWP13B-0812PB	1/2" CF X 3/4" MPT	0653155	098268442670	10	1.9	100	19	105.00
LFWP13B-1212PB	3/4" CF x 3/4" FPT	0653033	098268441451	5	1.0	20	19	35.50
LFWP13B-1616PB	1" CF x 1" FPT	0653162	098268442748	10	2.8	4	11	95.00
LFWP13B-2020PB	1 1/4" CF X 1 1/4" FPT	0653161	098268442731	10	5	100	50	310.50

Bulk

LFWP12B-0808	1/2" CF x 1/2" MPT	0653035	098268441475	100	11.0	-	-	486.50
LFWP12B-0812	1/2" CF x 3/4" MPT	0653036	098268441482	100	13.0	-	-	691.00
LFWP12B-1212	3/4" CF x 3/4" MPT	0653038	098268441505	100	14.0	-	-	735.00
LFWP12B-1216	3/4" CF x 1" MPT	0653039	098268441512	50	15.0	-	-	514.00
LFWP12B-1612	1" CF x 3/4" MPT	0653040	098268441529	100	19.0	-	-	947.00
LFWP12B-1616	1" CF x 1" MPT	0653041	098268441536	100	16.0	-	-	1,022.00
LFWP13B-0808	1/2" CF x 1/2" FPT	0653043	098268441550	100	14.0	-	-	612.00
LFWP13B-1212	3/4" CF x 3/4" FPT	0653044	098268441567	100	19.0	-	-	661.50
LFWP12B-2020	1 1/4" CF x 1 1/4" MPT	0653154	098268442663	100	45.0	-	-	4,277.00
LFWP13B-1616	1" CF x 1" FPT	0653169	098268442816	100	26.0	-	-	817.00

*The wetted surface of this product contacted by consumable water contains less than 0.25% of lead by weight.

Net Content = Quantity of individual pieces or feet contained in the consumer unit.

PEX Fittings - Brass

CrimpRing™ Sweat Adapters

Sweat adapters onto a copper pipe to transition to WaterPEX® supply lines.



Male Sweat x Crimp Adapter



Female Sweat x Crimp Adapter

Model No.	Description/Size	Ordering Code	UPC	Net Content	Consumer Unit Weight (lbs)	Case Qty	Case Weight (lbs)	List Price
-----------	------------------	---------------	-----	-------------	----------------------------	----------	-------------------	------------

PolyBag

	Model No.	Description/Size	Ordering Code	UPC	Net Content	Consumer Unit Weight (lbs)	Case Qty	Case Weight (lbs)	List Price
LEAD FREE*	LFWP10B-0806PB	1/2" MS x 3/8" CF	0653005	098268441178	10	.3	10	3	\$ 34.00
	LFWP10B-0808PB	1/2" MS x 1/2" CF	0653006	098268441185	10	.5	10	5	27.50
	LFWP10B-1212PB	3/4" MS x 3/4" CF	0653007	098268441192	5	.8	10	8	24.50
	LFWP10B-1616PB	1" MS x 1" CF	0653008	098268441208	5	.8	10	8	66.00
	LFWP10B-1620PB	1" MS x 1 1/4" CF	0653009	098268441215	5	1.4	10	14	160.50
	LFWP10B-2020PB	1 1/4" MS x 1 1/4" CF	0653151	098268442632	5	0.9	10	9	222.00
	LFWP11B-0808PB	1/2" FS x 1/2" CF"	0653010	098268441222	10	.4	10	4	28.00
	LFWP11B-0812PB	1/2" FS x 3/4" CF	0653168	098268442809	10	1.4	10	14	40.50
	LFWP11B-1212PB	3/4" FS x 3/4" CF	0653011	098268441239	10	1.2	10	12	46.00
	LFWP11B-1616PB	1" FS x 1" CF	0653012	098268441246	5	1.4	10	14	49.00
	LFWP11B-1620PB	1" FS x 1 1/4" CF	0653013	098268441253	5	1.7	10	17	163.50
	LFWP11B-2020PB	1 1/4" FS x 1 1/4" CF	0653159	098268442717	5	2.0	10	10	160.50

Bulk

	Model No.	Description/Size	Ordering Code	UPC	Net Content	Consumer Unit Weight (lbs)	Case Qty	Case Weight (lbs)	List Price
LEAD FREE*	LFWP10B-0806	1/2" MS x 3/8" CF	0653014	098268441260	100	3.0	-	-	317.50
	LFWP10B-0808	1/2" MS x 1/2" CF	0653015	098268441277	100	5.0	-	-	251.00
	LFWP10B-1212	3/4" MS x 3/4" CF	0653016	098268441284	100	8.0	-	-	455.00
	LFWP10B-1616	1" MS x 1" CF	0653017	098268441291	100	8.0	-	-	1,251.00
	LFWP10B-2020	1 1/4" MS x 1 1/4" CF	0653152	098268442649	100	18.0	-	-	4,072.00
	LFWP11B-0808	1/2" FS x 1/2" CF	0653019	098268441314	100	4.0	-	-	258.00
	LFWP11B-1212	3/4" FS x 3/4" CF	0653020	098268441321	100	12	-	-	430.00
	LFWP11B-1616	1" FS x 1" CF	0653021	098268441338	100	14	-	-	984.50

*The wetted surface of this product contacted by consumable water contains less than 0.25% of lead by weight.

Net Content = Quantity of individual pieces or feet contained in the consumer unit.

PEX Fittings - Brass

PEX CrimpRing™ Couplings

For making field repairs or continuing a run. Order CrimpRings™ separately.



PEX x PEX

Model No.	Description/Size	Ordering Code	UPC	Net Content	Consumer Unit Weight (lbs)	Case Qty	Case Weight (lbs)	List Price
PolyBag								
LFWP15B-0606PB	3/8" CF x 3/8" CF	0653045	098268441574	10	0.2	10	2	\$ 25.50
LFWP15B-0806PB	1/2" CF x 3/8" CF	0653046	098268441581	10	0.3	10	3	28.00
LFWP15B-0808PB	1/2" CF x 1/2" CF	0653047	098268441598	10	0.3	10	3	21.75
LFWP15B-1208PB	3/4" CF x 1/2" CF	0653048	098268441604	10	0.5	10	5	36.75
LFWP15B-1212PB	3/4" CF x 3/4" CF	0653049	098268441611	10	.5	10	5	26.25
LFWP15B-1612PB	1" CF x 3/4" CF	0653050	098268441628	10	1.0	10	10	50.25
LFWP15B-1616PB	1" CF x 1" CF	0653051	098268441635	20	1.8	5	9	96.50
LFWP15B-2020PB	1 1/4" CF x 1 1/4" CF	0653052	098268441642	10	1.3	10	13	434.00
LFWP15B-1620PB	1" CF x 1 1/4" CF	0653053	098268441659	10	1.3	10	13	414.00
Bulk								
LFWP15B-0806	1/2" CF x 3/8" CF	0653055	098268441673	100	3.0	-	-	259.00
LFWP15B-0808	1/2" CF x 1/2" CF	0653056	098268441680	100	3.0	-	-	199.50
LFWP15B-1208	3/4" CF x 1/2" CF	0653057	098268441697	100	5.0	-	-	345.00
LFWP15B-1212	3/4" CF x 3/4" CF	0653058	098268441703	100	5.0	-	-	243.00
LFWP15B-1612	1" CF x 3/4" CF	0653059	098268441710	100	6.0	-	-	473.50
LFWP15B-1616	1" CF x 1" CF	0653060	098268441727	100	9.0	-	-	456.00

*The wetted surface of this product contacted by consumable water contains less than 0.25% of lead by weight.

Net Content = Quantity of individual pieces or feet contained in the consumer unit.

PEX Fittings - Brass

PEX x PEX CrimpRing™ Coupling Kits

For making WaterPEX® repairs in the field. Each kit contains 4 copper CrimpRings™ and 2 brass couplings.



PEX x PEX

Model No.	Description/Size	Ordering Code	UPC	Net Content	Consumer Unit Weight (lbs)	Case Qty	Case Weight (lbs)	List Price
LFWP16B-08	1/2" Coupling Kit	0653064	098268441765	20	.5	10	5	107.00
LFWP16B-12	3/4" Coupling Kit	0653065	098268441772	20	.5	10	5	139.00

LEAD FREE*

Brass PEX x PB (Polybutylene) Transition Couplings Kits

For transitioning from polybutylene pipe to WaterPEX®. Each kit contains 2 copper CrimpRings™ and one PEX to PB coupling.



PEX x PB

Model No.	Description/Size	Ordering Code	UPC	Net Content	Consumer Unit Weight (lbs)	Case Qty	Case Weight (lbs)	List Price
LFWP17B-08PB	1/2" Coupling kit	0653148	098268442601	10	0.56	100	5.6	97.50
LFWP17B-12PB	3/4" Coupling kit	0653149	098268442618	10	1.3	100	13	125.50
LFWP28B-08PB	1/2" CF X 1/2" PB Coupling only	0653170	098268442823	10	2	100	20	63.75
LFWP28B-12PB	3/4" CF x 3/4" PB Coupling only	0653171	098268442830	10	3	100	30	86.75

LEAD FREE*

*The wetted surface of this product contacted by consumable water contains less than 0.25% of lead by weight.

Net Content = Quantity of individual pieces or feet contained in the consumer unit.

PEX Fittings - Brass

CrimpRing™ Tees (Run x Run X Branch)

Used for making directional changes in potable systems.



Model No.	Description/Size	Ordering Code	UPC	Net Content	Consumer Unit Weight (lbs)	Case Qty	Case Weight (lbs)	List Price
PolyBag								
LFWP18B-06PB	3/8" CF x 3/8" CF x 3/8" CF	0653068	098268441802	10	.7	10	7	\$ 50.75
LFWP18B-080806PB	1/2" CF x 1/2" CF x 3/8" CF	0653069	098268441819	10	0.6	10	6	62.50
LFWP18B-080608PB	1/2" CF x 3/8" CF x 1/2" CF	0653070	098268441826	10	0.8	10	8	65.50
LFWP18B-080606PB	1/2" CF x 3/8" CF x 3/8" CF	0653071	098268441833	10	0.8	10	8	65.50
LFWP18B-08PB	1/2" CF x 1/2" CF x 1/2" CF	0653072	098268441840	10	0.8	10	8	42.00
LFWP18B-080812PB	1/2" CF x 1/2" CF x 3/4" CF	0653073	098268441857	10	0.8	10	8	58.50
LFWP18B-120808PB	3/4" CF x 1/2" CF x 1/2" CF	0653074	098268441864	10	0.9	10	9	59.75
LFWP18B-120812PB	3/4" CF x 1/2" CF x 3/4" CF	0653075	098268441871	10	1.1	10	11	62.75
LFWP18B-121206PB	3/4" CF x 3/4" CF x 3/8" CF	0653076	098268441888	10	0.8	10	8	81.75
LFWP18B-121208PB	3/4" CF x 3/4" CF x 1/8" CF	0653077	098268441895	10	1.1	10	11	63.50
LFWP18B-12PB	3/4" CF x 3/4" CF x 3/4" CF	0653078	098268441901	10	1.3	10	13	57.25
LFWP18B-121216PB	3/4" CF x 3/4" CF x 1" CF	0653079	098268441918	10	2.4	5	12	138.50
LFWP18B-161212PB	1" CF x 3/4" CF x 3/4" CF	0653080	098268441925	10	2.6	5	13	138.50
LFWP18B-161608PB	1" CF x 1" CF x 1/2" CF	0653081	098268441932	10	2.8	5	14	136.00
LFWP18B-161612PB	1" CF x 1" CF x 3/4" CF	0653082	098268441949	10	3.0	5	15	131.00
LFWP18B-16PB	1" CF x 1" CF x 1" CF	0653083	098268441956	10	3.2	5	16	132.50
LFWP18B-202016PB	1 1/4" CF x 1 1/4" CF x 1" CF	0653156	098268442687	10	3.4	5	17	537.00
LFWP18B-20PB	1 1/4" CF x 1 1/4" CF x 1 1/4" CF	0653157	098268442694	10	3.4	5	17	537.00
Bulk								
LFWP18B-080606	1/2" CF x 3/8" CF x 3/8" CF	0653087	098268441994	100	8.0	-	-	617.00
LFWP18B-08	1/2" CF x 1/2" CF x 1/2" CF	0653088	098268442007	100	8.0	-	-	394.50
LFWP18B-080812	1/2" CF x 1/2" CF x 3/4" CF	0653089	098268442014	100	8.0	-	-	551.00
LFWP18B-120808	3/4" CF x 1/2" CF x 1/2" CF	0653090	098268442021	100	9.0	-	-	561.50
LFWP18B-120812	3/4" CF x 1/2" CF x 3/4" CF	0653091	098268442038	100	11.0	-	-	588.00
LFWP18B-121208	3/4" CF x 3/4" CF x 1/2" CF	0653093	098268442052	100	11.0	-	-	596.50
LFWP18B-12	3/4" CF x 3/4" CF x 3/4" CF	0653094	098268442069	100	13.0	-	-	538.50
LFWP18B-161608	1" CF x 1" CF x 1/2" CF	0653097	098268442090	100	27.0	-	-	1,279.00
LFWP18B-161612	1" CF x 1" CF x 3/4" CF	0653098	098268442106	100	30.0	-	-	1,231.00
LFWP18B-16	1" CF x 1" CF x 1" CF	0653099	098268442113	100	31.0	-	-	1,251.00

*The wetted surface of this product contacted by consumable water contains less than 0.25% of lead by weight.

Net Content = Quantity of individual pieces or feet contained in the consumer unit.

PEX Fittings - Brass

CrimpRing™ Elbows - Crimp x Crimp

Used to make a 90° change between WaterPEX®.



Model No.	Description/Size	Ordering Code	UPC	Net Content	Consumer Unit Weight (lbs)	Case Qty	Case Weight (lbs)	List Price
-----------	------------------	---------------	-----	-------------	----------------------------	----------	-------------------	------------

PolyBag

LEAD FREE*	LFWP19B-06PB	3/8" CF x 3/8" CF	0653100	098268442120	10	0.35	10	3.5	\$ 38.50
	LFWP19B-08PB	1/2" CF x 1/2" CF	0653101	098268442137	10	0.47	10	4.7	32.75
	LFWP19B-1208PB	3/4" CF x 1/2" CF	0653102	098268442144	10	.22	10	2.2	59.75
	LFWP19B-1212PB	3/4" CF x 3/4" CF	0653103	098268442151	10	.22	10	2.2	43.25
	LFWP19B-16PB	1" CF x 1" CF	0653104	098268442168	10	-	10	-	109.00
	LFWP19B-20PB	1 1/4" CF x 1 1/4" CF	0653158	098268442700	10	3.4	5	17	429.50

Bulk

LEAD FREE*	LFWP19B-06	3/8" CF x 3/8" CF	0653105	098268442175	100	3.0	-	-	354.50
	LFWP19B-08	1/2" CF x 1/2" CF	0653106	098268442182	100	4.0	-	-	303.50
	LFWP19B-1208	3/4" CF x 1/2" CF	0653107	098268442199	100	20.0	-	-	561.50
	LFWP19B-1212	3/4" CF x 3/4" CF	0653108	098268442205	100	8.0	-	-	406.00
	LFWP19B-16	1" CF x 1" CF	0653109	098268442212	100	18.0	-	-	1,029.00

Elbows - Crimp x MPT

Used to make a 90° change between WaterPEX® and threaded pipe.



Model No.	Description/Size	Ordering Code	UPC	Net Content	Consumer Unit Weight (lbs)	Case Qty	Case Weight (lbs)	List Price
-----------	------------------	---------------	-----	-------------	----------------------------	----------	-------------------	------------

PolyBag

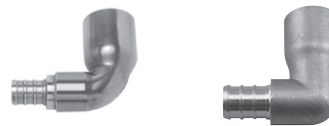
LEAD FREE*	LFWP20B-0806PB	1/2" CF x 3/8" MPT	0653110	098268442229	10	1.4	10	14	\$ 109.50
	LFWP20B-0808PB	1/2" CF x 1/2" MPT	0653111	098268442236	10	2.6	10	26	130.00
	LFWP20B-0812PB	1/2" CF x 3/4" MPT	0653112	098268442243	10	2.2	100	22.07	173.50
	LFWP20B-12PB	3/4" CF x 3/4" MPT	0653113	098268442250	10	2.03	100	22.03	178.50

Bulk

LEAD FREE*	LFWP20B-0808	1/2" CF x 1/2" CF	0653115	098268442274	100	26	-	-	1,221.00
------------	--------------	-------------------	---------	--------------	-----	----	---	---	----------

CrimpRing™ x Sweat Elbows

Use these elbows when making tight turns.



Model No.	Description/Size	Ordering Code	UPC	Net Content	Consumer Unit Weight (lbs)	Case Qty	Case Weight (lbs)	List Price
-----------	------------------	---------------	-----	-------------	----------------------------	----------	-------------------	------------

PolyBag

LEAD FREE*	LFWP21B-08PB	1/2" CF x 1/2" FS	0653163	098268442755	10	1.0	10	10	\$ 132.50
	LFWP21B-0812PB	1/2" CF x 3/4" FS	0653118	098268442304	10	1.2	10	12	171.50
	LFWP21B-12PB	3/4" CF x 3/4" FS	0653119	098268442311	10	1.6	10	16	183.50

Bulk

LEAD FREE*	LFWP21B-08	1/2" CF x 1/2" FS	0653164	098268442762	100	10.0	-	-	1,278.00
	LFWP21B-12	3/4" CF x 3/4" FS	0653121	098268442335	100	16.0	-	-	1,727.00

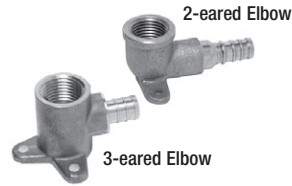
*The wetted surface of this product contacted by consumable water contains less than 0.25% of lead by weight.

Net Content = Quantity of individual pieces or feet contained in the consumer unit.

PEX Fittings - Brass

Drop Ear Elbows

For making 90° change between WaterPEX® and threaded pipe.



Model No.	Description/Size	Ordering Code	UPC	Net Content	Consumer Unit Weight (lbs)	Case Qty	Case Weight (lbs)	List Price
-----------	------------------	---------------	-----	-------------	----------------------------	----------	-------------------	------------

PolyBag

LEAD FREE*	Model No.	Description/Size	Ordering Code	UPC	Net Content	Consumer Unit Weight (lbs)	Case Qty	Case Weight (lbs)	List Price
	LFWP22B-0608PB	3/8" CF x 1/2" FPT - 2 eared	0653122	098268442342	10	1.8	10	18	\$ 170.50
	LFWP22B-08PB	1/2" CF x 1/2" FPT - 2 eared	0653123	098268442359	10	1.7	10	17	141.00
	LFWP23B-08PB	1/2" CF x 1/2" FPT - 3 eared	0653124	098268442366	10	1.7	10	17	157.50
	LFWP22B-1208PB	3/4" CF x 1/2" FPT - 2 eared	0653125	098268442373	10	1.8	5	18	234.00
	LFWP22B-12PB	3/4" CF x 3/4" FPT - 2 eared	0653126	098268442380	10	1.8	5	18	209.00

Bulk

LEAD FREE*	Model No.	Description/Size	Ordering Code	UPC	Net Content	Consumer Unit Weight (lbs)	Case Qty	Case Weight (lbs)	List Price
	LFWP22B-08	1/2" CF x 1/2" FPT - 2 eared	0653128	098268442403	100	17.0	-	-	1,329.00
	LFWP23B-08	1/2" CF x 1/2" FPT - 3 eared	0653129	098268442410	100	17.0	-	-	1,547.00

CrimpRing™ Test Plugs

Used for pressure testing the system.



Model No.	Description/Size	Ordering Code	UPC	Net Content	Consumer Unit Weight (lbs)	Case Qty	Case Weight (lbs)	List Price
-----------	------------------	---------------	-----	-------------	----------------------------	----------	-------------------	------------

PolyBag

LEAD FREE*	Model No.	Description/Size	Ordering Code	UPC	Net Content	Consumer Unit Weight (lbs)	Case Qty	Case Weight (lbs)	List Price
	LFWP24B-06PB	3/8" CF	0653132	098268442441	10	0.2	10	2	\$ 21.75
	LFWP24B-08PB	1/2" CF	0653133	098268442458	10	.3	10	3	20.25
	LFWP24B-12PB	3/4" CF	0653134	098268442465	10	.6	10	6	27.00
	LFWP24B-16PB	1" CF	0653135	098268442472	10	1.0	10	10	33.50

Bulk

LEAD FREE*	Model No.	Description/Size	Ordering Code	UPC	Net Content	Consumer Unit Weight (lbs)	Case Qty	Case Weight (lbs)	List Price
	LFWP24B-08	1/2" CF	0653137	098268442496	100	3.0	-	-	182.50
	LFWP24B-12	3/4" CF	0653138	098268442502	100	6.0	-	-	247.00
	LFWP24B-16	1" CF	0653139	098268442519	100	10.0	-	-	309.00

*The wetted surface of this product contacted by consumable water contains less than 0.25% of lead by weight.

Net Content = Quantity of individual pieces or feet contained in the consumer unit.

PEX Fittings – Poly-Alloy

Poly-Alloy CrimpRing™ fittings are a perfect match for Watts WaterPEX®. These fittings are produced from an engineered thermoplastic polymer called PPSU. PPSU resin offers many improved performance characteristics that make it an excellent choice for molded components installed in the demanding environment of a hot and cold-water plumbing system.

Poly-Alloy CrimpRing™ fittings are made to ASTM International F2159 and F877 standards. They have the NSF-pw rating and are certified to Canadian Standard Association B137.5.

CrimpRing™ Couplings

For making field repairs or continuing a run. Order CrimpRings™ separately.



Model No.	Description/Size	Ordering Code	UPC	Net Content	Consumer Unit Weight (lbs)	Case Qty	Case Weight (lbs)	List Price
-----------	------------------	---------------	-----	-------------	----------------------------	----------	-------------------	------------

PolyBag

LEAD FREE*	WP15P-08PB	1/2" CF x 1/2" CF	0650655	098268314915	10	0.1	10	1	\$ 11.00
	WP15P-1208PB	3/4" CF x 1/2" CF	0650656	098268314922	10	0.5	10	5	15.25
	WP15P-12PB	3/4" CF x 3/4" CF	0650657	098268314939	10	0.1	10	1	14.25
	WP15P-1612PB	1" CF x 3/4" CF	0650658	098268314946	10	0.2	10	2	23.00
	WP15P-16PB	1" CF x 1" CF	0650659	098268314953	10	0.2	10	2	24.50

Bulk

LEAD FREE*	WP15P-08	1/2" CF x 1/2" CF	0650660	098268314960	100	1.0	–	–	95.25
	WP15P-12	3/4" CF x 3/4" CF	0650662	098268314984	100	1.0	–	–	129.50

CrimpRing™ Elbows

Used to make a 90° change between WaterPEX®.



Model No.	Description/Size	Ordering Code	UPC	Net Content	Consumer Unit Weight (lbs)	Case Qty	Case Weight (lbs)	List Price
-----------	------------------	---------------	-----	-------------	----------------------------	----------	-------------------	------------

PolyBag

LEAD FREE*	WP19P-08PB	1/2" CF x 1/2" CF	0650665	098268315103	10	0.1	10	1	\$ 14.25
	WP19P-1208PB	3/4" CF x 1/2" CF	0650666	098268315110	10	0.2	10	2	19.50
	WP19P-1212PB	3/4" CF x 3/4" CF	0650667	098268315127	10	0.2	10	2	20.50
	WP19P-16PB	1" CF x 1" CF	0650668	098268315141	10	0.5	10	5	55.75

Bulk

LEAD FREE*	WP19P-08	1/2" CF x 1/2" CF	0650669	098268315158	100	1.0	–	–	125.50
	WP19P-1212	3/4" CF x 3/4" CF	0650671	098268315172	100	2.0	–	–	185.00

*The wetted surface of this product contacted by consumable water contains less than 0.25% of lead by weight.

Net Content = Quantity of individual pieces or feet contained in the consumer unit.

PEX Fittings - Poly-Alloy

CrimpRing™ x MPT Adapter

Thread adapters into the appropriate NPT fitting.



Model No.	Description/Size	Ordering Code	UPC	Net Content	Consumer Unit Weight (lbs)	Case Qty	Case Weight (lbs)	List Price
-----------	------------------	---------------	-----	-------------	----------------------------	----------	-------------------	------------

PolyBag

LEAD FREE*	WP12P-08PB	1/2" CF x 1/2" MPT	0650673	098268315196	10	0.2	10	2	\$ 16.25
	WP12P-0812PB	1/2" CF x 3/4" MPT	0650674	098268315202	10	0.2	10	2	18.50
	WP12P-12PB	3/4" CF x 3/4" MPT	0650675	098268315219	10	0.2	10	2	20.50

CrimpRing™ x MPT Elbow

Used to make a 90° change between WaterPEX® and threaded pipe.



Model No.	Description/Size	Ordering Code	UPC	Net Content	Consumer Unit Weight (lbs)	Case Qty	Case Weight (lbs)	List Price
-----------	------------------	---------------	-----	-------------	----------------------------	----------	-------------------	------------

PolyBag

LEAD FREE*	WP20P-08PB	1/2" CF x 1/2" MPT	0650679	098268315257	10	0.2	10	2	\$ 19.25
	WP20P-1208PB	3/4" CF x 1/2" MPT	0650680	098268315264	10	0.3	10	3	25.00
	WP20P-1212PB	3/4" CF x 3/4" MPT	0650681	098268315271	10	0.3	10	3	27.75

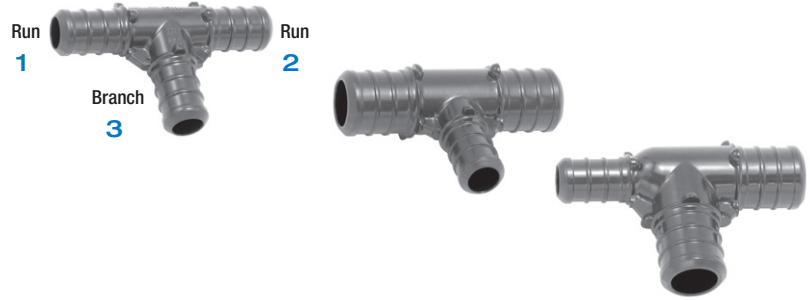
*The wetted surface of this product contacted by consumable water contains less than 0.25% of lead by weight.

Net Content = Quantity of individual pieces or feet contained in the consumer unit.

PEX Fittings – Poly-Alloy

CrimpRing™ Tees (Run x Run x Branch)

Used for making directional changes in potable systems.



Model No.	Description/Size	Ordering Code	UPC	Net Content	Consumer Unit Weight (lbs)	Case Qty	Case Weight (lbs)	List Price
-----------	------------------	---------------	-----	-------------	----------------------------	----------	-------------------	------------

PolyBag

1 2 3

LEAD FREE*	WP18P-08PB	1/2" CF x 1/2" CF x 1/2" CF	0650685	098268315356	10	0.2	10	2	\$ 15.75
	WP18P-080812PB	1/2" CF x 1/2" CF x 3/4" CF	0650686	098268315363	10	0.2	10	2	22.25
	WP18P-12PB	3/4" CF x 3/4" CF x 3/4" CF	0650687	098268315370	10	0.3	10	3	22.25
	WP18P-121208PB	3/4" CF x 3/4" CF x 1/2" CF	0650688	098268315417	10	0.2	10	2	22.25
	WP18P-120812PB	3/4" CF x 1/2" CF x 3/4" CF	0650689	098268315424	10	0.3	10	3	22.75
	WP18P-120808PB	3/4" CF x 1/2" CF x 1/2" CF	0650690	098268315653	10	0.2	10	2	22.75
	WP18P-121216PB	3/4" CF x 3/4" CF x 1" CF	0650691	098268315660	10	0.4	10	4	45.00
	WP18P-161608PB	1" CF x 1" CF x 1/2" CF	0650692	098268315677	10	0.5	10	5	47.75
	WP18P-161212PB	1" CF x 3/4" CF x 3/4" CF	0650693	098268315684	10	0.5	10	5	54.50
	WP18P-161612PB	1" CF x 1" CF x 3/4" CF	0650694	098268315691	10	0.5	10	5	54.50
	WP18P-16PB	1" CF x 1" CF x 1" CF	0650695	098268315707	5	0.5	10	5	29.25

Bulk

1 2 3

LEAD FREE*	WP18P-08	1/2" CF x 1/2" CF x 1/2" CF	0650696	098268315714	100	2.0	–	–	143.50
	WP18P-12	3/4" CF x 3/4" CF x 3/4" CF	0650698	098268315738	100	3.0	–	–	206.00
	WP18P-121208	3/4" CF x 3/4" CF x 1/2" CF	0650699	098268315745	100	2.0	–	–	206.00
	WP18P-120812	3/4" CF x 1/2" CF x 3/4" CF	0650800	098268315752	100	3.0	–	–	208.00
	WP18P-120808	3/4" CF x 1/2" CF x 1/2" CF	0650801	098268315769	100	2.0	–	–	208.00

*The wetted surface of this product contacted by consumable water contains less than 0.25% of lead by weight.

Net Content = Quantity of individual pieces or feet contained in the consumer unit.

PEX Fittings - Poly-Alloy

Swivel Couplings

For connecting 3/8" or 1/2" WaterPEX® supply lines directly from manifold or branch supply to faucet. (Not needed if using WaterPEX® Risers or Flexible Risers.)



Model No.	Description/Size	Ordering Code	UPC	Net Content	Consumer Unit Weight (lbs)	Case Qty	Case Weight (lbs)	List Price
-----------	------------------	---------------	-----	-------------	----------------------------	----------	-------------------	------------

PolyBag

Straight

WP25P-0608PB	3/8" CF x 1/2" FIP - Swivel	0650807	098268315950	25	0.8	4	3	\$ 68.75
WP25P-08PB	1/2" CF x 1/2" FIP - Swivel	0650808	098268315967	25	0.8	4	3	66.25
WP25P-12PB	3/4" x 3/4" FIP - Swivel	0650809	098268315981	25	1.3	4	5	75.50

Angle

WP26P-08PB	1/2" CF x 1/2" FIP - Swivel	0650810	098268316018	10	0.4	10	4	33.00
WP26P-12PB	3/4" CF x 3/4" FIP - Swivel	0650811	098268316025	5	0.3	10	3	18.50

LEAD FREE*

Test Plugs

Used for pressure testing the system.



Model No.	Description/Size	Ordering Code	UPC	Net Content	Consumer Unit Weight (lbs)	Case Qty	Case Weight (lbs)	List Price
-----------	------------------	---------------	-----	-------------	----------------------------	----------	-------------------	------------

PolyBag

WP27P-08PB	1/2" CF	0650818	098268316100	10	0.5	10	5	\$ 8.50
WP27P-12PB	3/4" CF	0650819	098268316179	10	0.1	10	1	11.50
WP27P-16PB	1" CF	0650820	098268316193	10	0.2	10	2	14.25

Bulk

WP27P-08	1/2" CF	0650822	098268316285	100	50.0	-	-	74.25
----------	---------	---------	--------------	-----	------	---	---	-------

LEAD FREE*

LEAD FREE*

*The wetted surface of this product contacted by consumable water contains less than 0.25% of lead by weight.

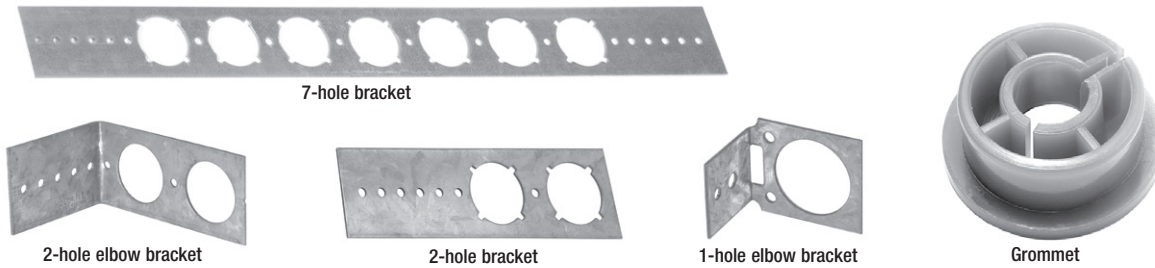
Net Content = Quantity of individual pieces or feet contained in the consumer unit.

Pipe Support and Mounting Accessories

Stubout Brackets and Elbows

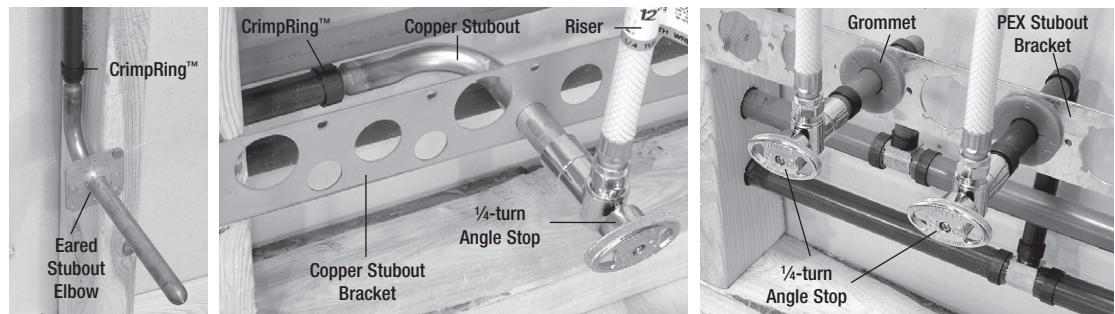
PEX Stubout Brackets and Grommets-Galvanized

PEX Stubout Brackets and Grommets are used to position and align PEX stubouts at fixtures or along joists or studs. The bracket is secured to wood framing with nails. The grommet is inserted into the bracket, then the WaterPEX® slides through the grommet. This creates a secure, stable stubout for attaching valve stops. Grommets are made of fire-retardant materials.



Model No.	Description/Size	Ordering Code	UPC	Net Content	Consumer Unit Weight (lbs)	Case Qty	Case Weight (lbs)	List Price
WPSB-7S	Bracket - 7-hole	0650828	098268316469	50	29.0	—	—	464.00
WPIG-08	1/2" Insert Grommet for Galvanized Bracket	0650829	098268316476	10	2.0	10	20	14.50
WPIG-12	3/4" Insert Grommet for Galvanized Bracket	0650830	098268316605	10	2.7	10	27	14.50

Putting it Together

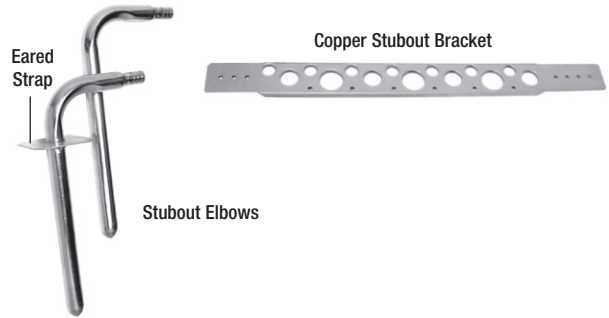


Pipe Support and Mounting Accessories

Stubout Brackets and Elbows

Copper Stubout Brackets and Elbows

- **Copper Stubout Brackets** are used to position and align copper pipe and/or stubout elbows at plumbing fixtures (as an alternative to using PEX Stubouts, see below). The brackets are nailed to the wood framing, then the copper pipe or stubouts are soldered to the brackets. This creates a secure, stable stubout for attaching valve stops.
- **Copper Stubout Elbows.** 90° Barbed transition from WaterPEX® supply piping to fixture supply piping.



Model No.	Description/Size	Ordering Code	UPC	Net Content	Consumer Unit Weight (lbs)	Case Qty	Case Weight (lbs)	List Price
WPSB-A	1/2", 3/4" and 1" Bracket	0650832	098268316629	50	11.0	—	—	\$ 512.00
WPSB-B8	1/2" CF x 1/2" Nom. Stubout Elbow	0650833	098268316674	10	2.8	10	28	68.00
WPSB-B12	1/2" CF x 1/2" Nom. Stubout Elbow	0650834	098268316704	4	1.4	10	14	38.50
WPSB-E12	3/4" CF x 3/4" Nom. Stubout Elbow	0650835	098268316728	4	2.9	10	29	84.50
WPSB-C	3/8" CF x 1/2" Nom. Stubout Elbow w/Eared Strap	0650836	098268316735	5	1.8	5	9	55.75
WPSB-D	1/2" CF x 1/2" Nom. Stubout Elbow w/Eared Strap	0650837	098268316742	5	1.8	5	9	52.25
WPSB-F	3/4" CF x 3/4" Nom. Stubout Elbow w/Eared Strap	0650838	098268316766	5	3.0	5	15	81.00

LEAD FREE*

Bend Supports

- **Mid-run Bend Supports.** Mid-run Bend Supports help WaterPEX® bend in walls and joist cavities.
- **Terminal Bend Supports.** Terminal Bend Supports are plastic elbows that are used at the ends of the WaterPEX® to make smooth, clean transitions up to manifolds.

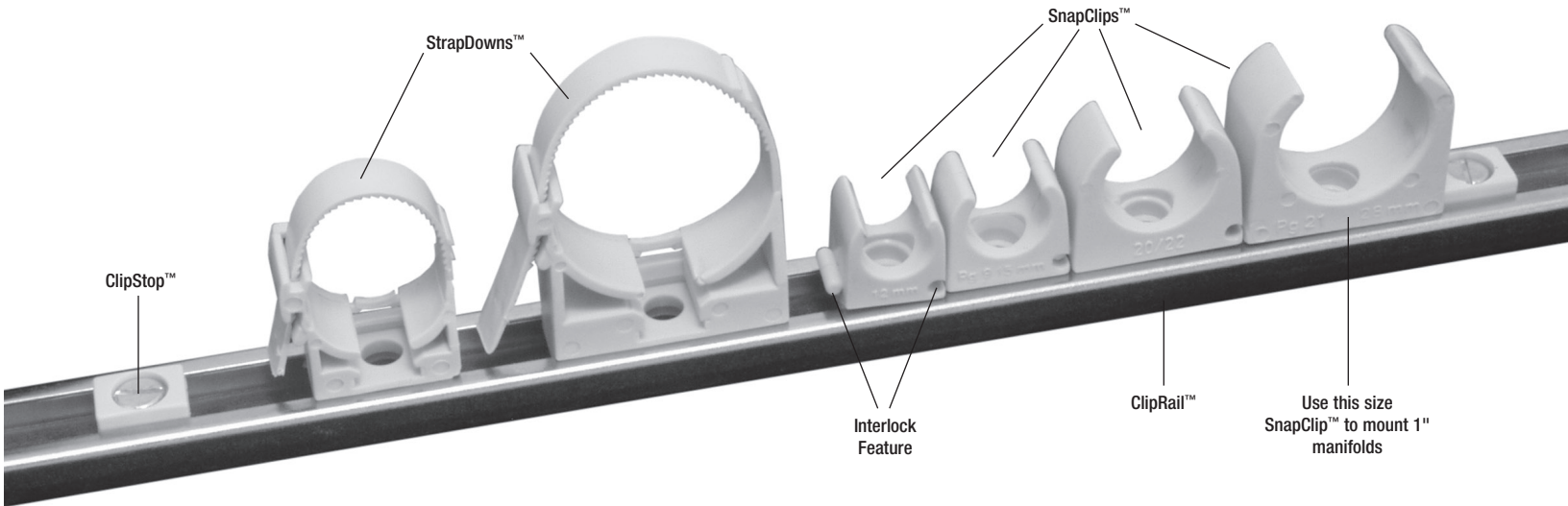
Mid-Run Bend Supports



Model No.	Description/Size	Ordering Code	UPC	Net Content	Consumer Unit Weight (lbs)	Case Qty	Case Weight (lbs)	List Price
WPBS-08M	1/2" Mid Run	0650839	098268316780	10	1.0	10	10	\$ 35.75
WPBS-12M	3/4" Mid Run	0650840	098268316797	10	1.7	10	17	95.50
WPBS-0608T	3/8" and 1/2" Terminal	0650841	098268316919	10	22.0	—	—	28.50
WPBS-12T	3/4" Terminal	0650842	098268316926	10	21.0	—	—	42.00

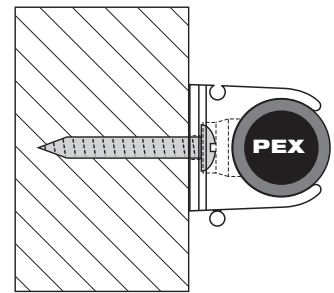
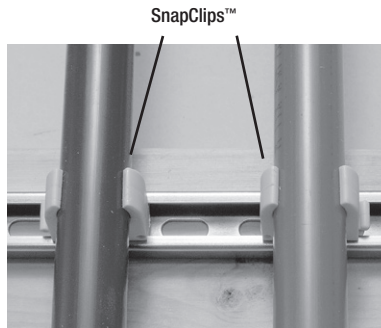
*The wetted surface of this product contacted by consumable water contains less than 0.25% of lead by weight.

Net Content = Quantity of individual pieces or feet contained in the consumer unit.



SnapClip™

For holding WaterPEX® tubing firmly in place. SnapClips™ can be used with or without ClipRails™. They can be interlocked for a very tight arrangement. Anchor them with a single screw through base (screws not included).



Model No.	Description/Size	Ordering Code	UPC	Net Content	Consumer Unit Weight (lbs)	Case Qty	Case Weight (lbs)	List Price
PolyBag								
WPSC-06PB	3/8" WaterPEX	0650903	098268317718	10	0.2	10	2	\$ 4.00
WPSC-08PB	1/2" WaterPEX	0650904	098268317725	10	0.2	10	2	6.00
WPSC-12PB	3/4" WaterPEX	0650905	098268317763	10	0.2	10	2	6.25
WPSC-16PB	1" WaterPEX	0650906	098268317770	10	0.2	10	2	7.50
Bulk								
WPSC-06	3/8" WaterPEX	0650912	098268317831	100	1.0	–	–	32.00
WPSC-08	1/2" WaterPEX	0650913	098268317848	100	1.0	–	–	50.50
WPSC-12	3/4" WaterPEX	0650914	098268317855	100	1.0	–	–	60.00
WPSC-16	1" WaterPEX	0650915	098268317862	100	1.0	–	–	73.25

WaterPEX® Fasteners**PEX Manifold Bracket**

This bracket will hold a pair of Watts Copper Manifolds — one hot and one cold. This narrow bracket fits within a 3½" wall or can be mounted external to the wall.



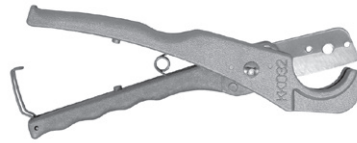
Model No.	Description/Size	Ordering Code	UPC	Net Content	Consumer Unit Weight (lbs)	Case Qty	Case Weight (lbs)	List Price
PolyBag								
WPUMB-1PB	PEX Manifold Bracket - 2	0650911	098268317824	2	3.0	1	3	\$ 63.75

PEX Installation Tools & Accessories

WaterPEX® Tools

Basic Tubing Cutter

All-metal construction makes this cutter superior to plastic models.



Model No.	Description/Size	Ordering Code	UPC	Net Content	Consumer Unit Weight (lbs)	Case Qty	Case Weight (lbs)	List Price
PolyBag								
WPTC-1PB	Basic Tubing Cutter	0650927	098268318197	1	1.0	–	–	\$ 26.25
Bulk								
WPTC-1	Basic Tubing Cutter	0650864	098268317176	10	5.0	–	–	265.00

Professional Tubing Cutter

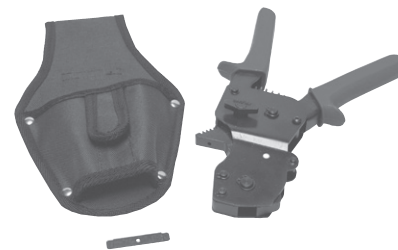
Cuts WaterPEX® to length. This ratchet-style cutter is made of all-metal, heavy-duty construction and designed for the rigor of daily jobsite use.



Model No.	Description/Size	Ordering Code	UPC	Net Content	Consumer Unit Weight (lbs)	Case Qty	Case Weight (lbs)	List Price
PolyBag								
WPTC-2PB	Professional Tubing Cutter (ratchet type)	0650928	098268318227	1	1.0	–	–	\$ 47.75

Ratcheting Cinch Tool

Designed specifically for Watts WaterPEX® and Cinch Clamps. One hand use with the visual and audible indication of successful cinch. In-field calibration. Packaged in a heavy duty holster.



Model No.	Description/Size	Ordering Code	UPC	Net Content	Consumer Unit Weight (lbs)	Case Qty	Case Weight (lbs)	List Price
WPCCT-6	Ratcheting Cinch Tool	0651059	098268382983	1	2.0	–	–	\$ 308.50

PEX Installation Tools & Accessories

WaterPEX® Tools

Manual CinchClamp™ Tool

Manual CinchClamp™ Tool is designed for use of tubing and CinchClamp™ connections. WPCCT-2 comes in a heavy-duty holster with a gapping gauge and calibration bar.



Model No.	Description/Size	Ordering Code	UPC	Net Content	Consumer Unit Weight (lbs)	Case Qty	Case Weight (lbs)	List Price
WPCCT-2	Manual CinchClamp Tool	0651060	098268382990	1	3.0	–	–	\$ 206.00

RingMaster™ Crimp Tools

Larger tool for more leverage. Includes RingMaster™ fitted with crimping jaws. Other jaws can be purchased separately (see next page). 3/8", 1/2", 5/8", and 3/4" jaws fit 15" tool; 1" jaws fit only in 19" tool.



Model No.	Description/Size	Ordering Code	UPC	Net Content	Consumer Unit Weight (lbs)	Case Qty	Case Weight (lbs)	List Price
PolyBag								
WPRM06-15PB	3/8" (15" tool)	0650929	098268318234	1	3.0	–	–	\$ 351.50
WPRM08-15PB	1/2" (15" tool)	0650930	098268318241	1	3.0	–	–	351.50
WPRM12-19PB	3/4" (15" tool)	0650931	098268318258	1	4.0	–	–	351.50
WPRM16-19PB	1" (19" tool)	0650932	098268318265	1	4.0	–	–	660.50

CrimpAll™ Tool Kit

Interchangeable crimping jaws make the CrimpAll™ the only tool in North America that crimps 3/8", 1/2", 5/8", 3/4", 1" and 1 1/4" CrimpRings™. Tough plastic tool kit helps you keep track of all your crimping tools. 15" CrimpAll™ tool, interchangeable 3/8", 1/2", 5/8", and 3/4" crimping jaws, Go/No-Go crimp gauge, and adjustment tools. 19" CrimpAll tool is for use with 1" and 1 1/4" Crimping Jaws.



Model No.	Description/Size	Ordering Code	UPC	Net Content	Consumer Unit Weight (lbs)	Case Qty	Case Weight (lbs)	List Price
WPCATK-1	3/8" - 3/4" CrimpAll Kit 15"	0650872	098268317268	1	6.0	–	–	\$ 377.00
WPCATK-2	1" - 1 1/4" CrimpAll Kit 19"	0651072	098268413526	1	8.0	–	–	487.00

WaterPEX® Tools

CrimpRing™ Removal Tool

A heavy duty tool for the removal of the WaterPEX CrimpRing™ without damaging PEX fittings.



Model No.	Description/Size	Ordering Code	UPC	Net Content	Consumer Unit Weight (lbs)	Case Qty	Case Weight (lbs)	List Price
WPCRT-1	CrimpRing Removal Tool	0651016	098268340563	1	2.0	–	–	\$ 60.75

WaterPEX® Unwinder

This is a must for any WaterPEX® installation. The Unwinder works for both barrier and non-barrier PEX. It can handle sizes through 1". The coil sits on the tripod and is held in place as it unwinds with four guide-bars. The WaterPEX® is uncoiled through a guide-ring that sits at the top of the unwinder.



Model No.	Description/Size	Ordering Code	UPC	Net Content	Consumer Unit Weight (lbs)	Case Qty	Case Weight (lbs)	List Price
WPUW-1	PEX Unwinder	0650866	098268317190	1	35.0	–	–	\$ 839.00

CrimpMaster™ Tools

Smaller, more compact for tight spaces.



Model No.	Description/Size	Ordering Code	UPC	Net Content	Consumer Unit Weight (lbs)	Case Qty	Case Weight (lbs)	List Price
-----------	------------------	---------------	-----	-------------	----------------------------	----------	-------------------	------------

PolyBag

WPCMT-08PB	1/2" CrimpMaster Tool - 11"	0650888	098268317534	1	3.0	–	–	\$ 449.00
WPCMT-12PB	3/4" CrimpMaster Tool - 11"	0650889	098268317541	1	3.0	–	–	449.00

CrimpRing™ Go/No-Go Gauge

Used to check for a proper crimp connection.



3/8" - 3/4"

Model No.	Description/Size	Ordering Code	UPC	Net Content	Consumer Unit Weight (lbs)	Case Qty	Case Weight (lbs)	List Price
WPGAUK-2	3/8" - 3/4" PEX Go/No-Go Gauge	0650901	098268317695	1	0.2	–	–	\$ 14.00

WaterPEX® Accessories

Washing Machine Shutoff Valves

Protects all connections, and comes with a knockout for safety drain line. Shuts off all water pressure to washing machines with a single easy-lever handle. Prevents water damage when your customer is away. Fitted for standard washing machine hose connections, with swivel 1/2" CrimpRing™ WaterPEX® connections to the house plumbing. Maximum temperature 180°F, maximum pressure 150psi. (Hoses sold separately.)

WaterOff Control Center



WaterOff Control Valve only



Model No.	Description/Size	Ordering Code	UPC	Net Content	Consumer Unit Weight (lbs)	Case Qty	Case Weight (lbs)	List Price
WPWMCC-1	WaterOff Valve w/Decorative Box	0650921	098268318029	1	3.0	–	–	\$ 163.00
WPWMV-2	WaterOff Valve Only	0650922	098268318036	1	1.0	–	–	130.00

Washing Machine Valve and Enclosure

Package comes complete with two individual 1/4-turn brass valves and white protective enclosure with faceplate. Valves are fitted for standard washing machine hose and 1/2" WaterPEX® CrimpRing™ fittings. The design allows for left, center or right valve and waste mounting. The 6 1/2" x 7 5/8" x 3" enclosure comes complete with brackets for nailing to house framing. (Hoses sold separately.)



Washing Machine Valve only

Model No.	Description/Size	Ordering Code	UPC	Net Content	Consumer Unit Weight (lbs)	Case Qty	Case Weight (lbs)	List Price
WPWME-1	Washing Machine Valve w/Enclosure	0650923	098268318043	1	3.0	10	30	\$ 56.25

Ice Maker Valves

Package comes complete with one 1/4-turn brass valve and white protective enclosure with faceplate. Valves are fitted for standard 1/4" compression ice maker and 1/2" WaterPEX® CrimpRing™ fitting. The 5 3/16" x 5 3/16" x 2 1/2" enclosure nails directly to house framing.



Ice Maker Valve only



Model No.	Description/Size	Ordering Code	UPC	Net Content	Consumer Unit Weight (lbs)	Case Qty	Case Weight (lbs)	List Price
LFWPIME-1	Ice Maker Valve and Enclosure	0653144	098268442564	1	1.0	10	10	\$ 44.75
LFWPIMV-1	Ice Maker Valve Only	0653145	098268442571	1	1.0	10	10	17.25

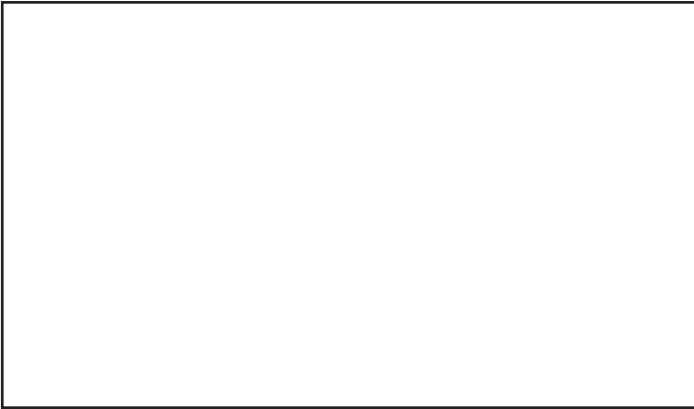
LEAD FREE*

*The wetted surface of this product contacted by consumable water contains less than 0.25% of lead by weight.

Net Content = Quantity of individual pieces or feet contained in the consumer unit.

To locate your nearest Watts representative, please click on our *find a sales rep* locator on watts.com.

Represented by:



USA: T: (978) 689-6066 • F: (978) 975-8350 • Watts.com
Canada: T: (905) 332-4090 • F: (905) 332-7068 • Watts.ca
Latin America: T: (52) 81-1001-8600 • Watts.com