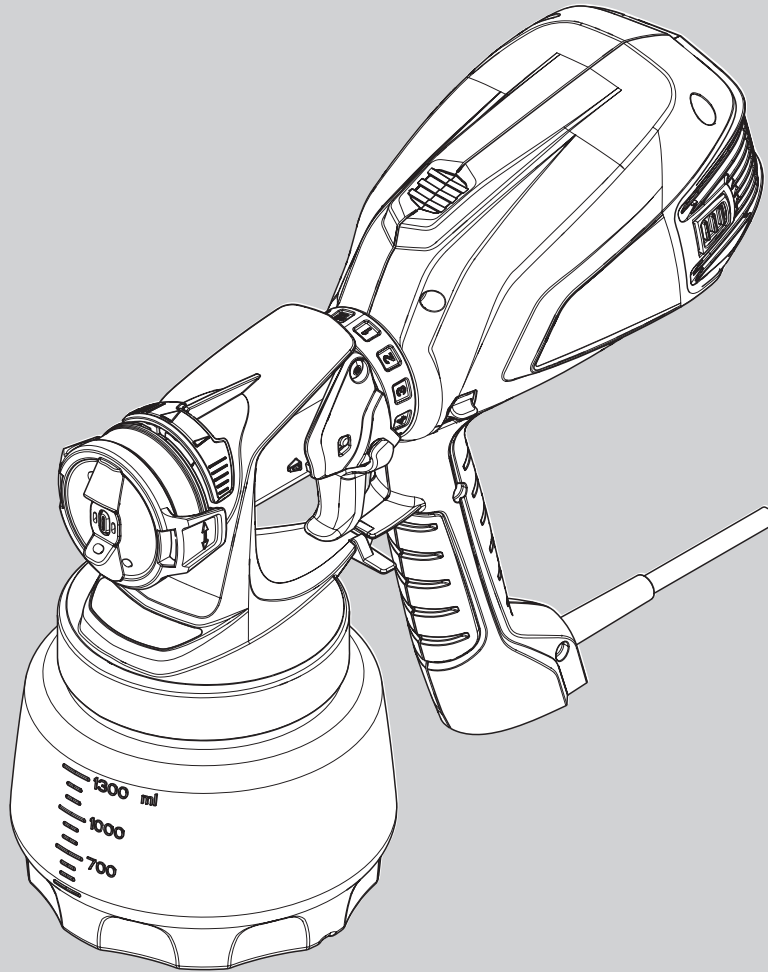


WAGNER



CONTROL SPRAY™ QX5

OWNER'S MANUAL • MANUEL DE L'UTILISATEUR •
MANUAL DE USUARIO

READ THIS MANUAL FOR COMPLETE INSTRUCTIONS •
LIRE CE MANUEL POUR OBTENIR DES DIRECTIVES COMPLÈTES •
LEA ESTE MANUAL PARA OBTENER LAS INSTRUCCIONES COMPLETAS



EN	P. 2
F	P. 14
ES	P. 26

IMPORTANT SAFETY INFORMATION

TABLE OF CONTENTS

IMPORTANT SAFETY INFORMATION	2-3
CONTROLS AND FUNCTIONS	4-5
SETUP	6-7
SPRAYER CONTROLS	8
SPRAYING	9
CLEANUP	10
MAINTENANCE	11
TROUBLESHOOTING	12
WARRANTY	13
PARTS LIST	38-39

EXPLANATION OF SYMBOLS

Read all safety information before operating the equipment. Save these instructions.

To reduce the risks of fire or explosion, electrical shock and the injury to persons, read and understand all instructions included in this manual. Be familiar with the controls and proper usage of the equipment.



→ This symbol indicates a potential hazard that may cause serious injury or loss of life. Important safety information will follow.



Attention

→ This symbol indicates a potential hazard to you or to the equipment. Important information that tells how to prevent damage to the equipment or how to avoid causes of minor injuries will follow.



→ Danger of fire from solvent and paint fumes



→ Danger of explosion from solvent, paint fumes and incompatible materials



→ Electric shock hazard



→ Notes give important information which should be given special attention.

WARNING! CALIFORNIA PROPOSITION 65 WARNING

This product can expose you to chemicals including lead, which are known to the State of California to cause cancer, birth defects, or other reproductive harm.

For more information go to www.P65warnings.ca.gov.

GROUNDING INSTRUCTIONS

This product must be grounded. In the event of an electrical short circuit, grounding reduces the risk of electric shock by providing an escape wire for the electric current. This product is equipped with a cord having a grounding wire with an appropriate grounding plug. The plug must be plugged into an outlet that is properly installed and grounded in accordance with all local codes and ordinances.

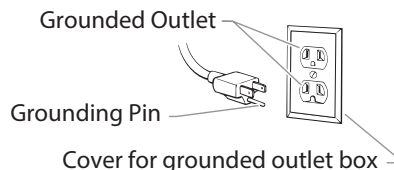


WARNING - Improper installation of the grounding plug can result in a risk of electric shock.

If repair or replacement of the cord or plug is necessary, do not connect the green grounding wire to either flat blade terminal. The wire with insulation having a green outer surface with or without yellow stripes is the grounding wire and must be connected to the grounding pin.

Check with a qualified electrician or serviceman if the grounding instructions are not completely understood, or if you are in doubt as to whether the product is properly grounded. Do not modify the plug provided. If the plug will not fit the outlet, have the proper outlet installed by a qualified electrician.

This product is for use on a nominal 120 volt circuit and has a grounding plug that looks like the plug illustrated below. Make sure that the product is connected to an outlet having the same configuration as the plug. No adapter should be used with this product.



IMPORTANT ELECTRICAL INFORMATION



Use only a 3-wire extension cord that has a 3-blade grounding plug and a 3-slot receptacle that will accept the plug on the product. Make sure your extension cord is in good condition. When using an extension cord, be sure to use one heavy enough to carry the current your product will draw. An undersized cord will cause a drop in line voltage resulting in loss of power and overheating. A 14 gauge or 12 gauge cord is recommended. If an extension cord is to be used outdoors, it must be marked with the suffix W-A after the cord type designation. For example, a designation of SJTW-A would indicate that the cord would be appropriate for outdoor use.



Household use only. Intended for indoor/outdoor use ONLY with materials having flashpoint above 100°F (38°C).

IMPORTANT SAFETY INFORMATION

SAFETY HAZARDS

 	HAZARD: EXPLOSION OR FIRE Flammable vapors, such as solvent and paint vapors, in work area can ignite or explode.
--	---


PREVENTION:

- Do not spray flammable or combustible materials near an open flame, pilot lights or sources of ignition such as hot objects, cigarettes, motors, electrical equipment and electrical appliances. Avoid creating sparks from connecting and disconnecting power cords.
- For use with only water-based or mineral spirit-type materials with a minimum flash point of 100°F (38°C) — Do not spray or clean with liquids having a flash point of less than 100°F (38°C). Flash point is the temperature at which a fluid can produce enough vapor to ignite.
- Verify that all containers and collection systems are grounded to prevent static discharge.
- Connect to a grounded outlet and use grounded extension cords (electric models only). Do not use a 3 to 2 adapter.
- Keep spray area well ventilated. Keep a good supply of fresh air moving through the area to keep the air within the spray area free from accumulation of flammable vapors.
- Do not smoke in the spray area.
- Do not operate light switches, engines, or similar spark producing products in the spray area.
- Keep area clean and free of paint or solvent containers, rags, and other flammable materials.
- Know the contents of the paint and solvents being sprayed. Read all material Safety Data Sheets (SDS) and container labels provided with the paints and solvents. Follow the paint and solvent manufacture's safety instructions.
- Fire extinguisher equipment shall be present and working.

	HAZARD: ELECTRIC SHOCK This product can cause injury due to electric shock.
---	---

PREVENTION:

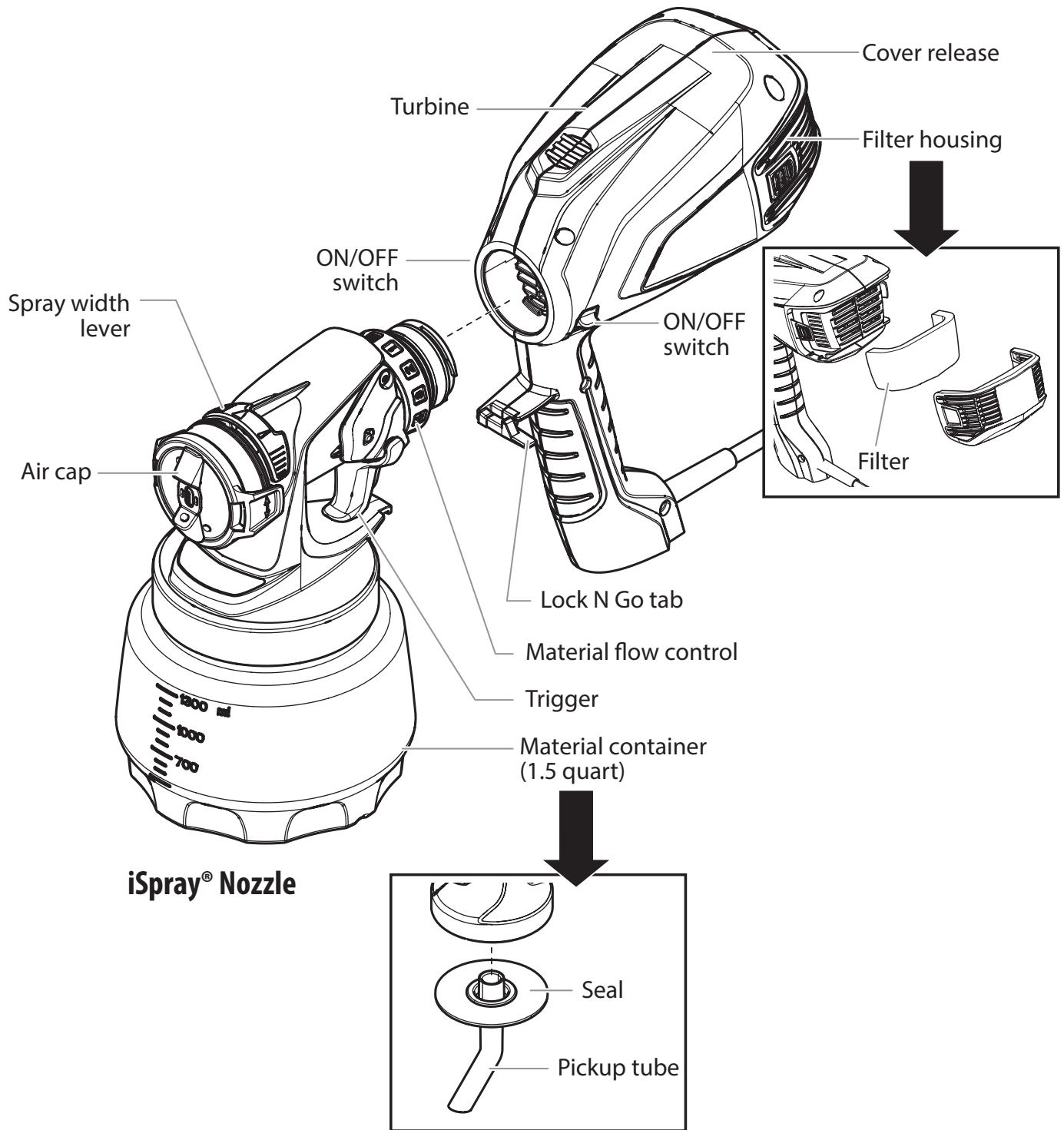
- Power cord must be connected to a grounded circuit.
- Never submerge electrical parts.
- Never expose the equipment to rain. Store indoors.
- Keep electrical cord plug and spray gun trigger free from paint and other liquids. Never hold the cord at plug connections to support the cord. Failure to observe may result in an electrical shock.

	HAZARD: GENERAL This product can cause severe injury or property damage.
---	--

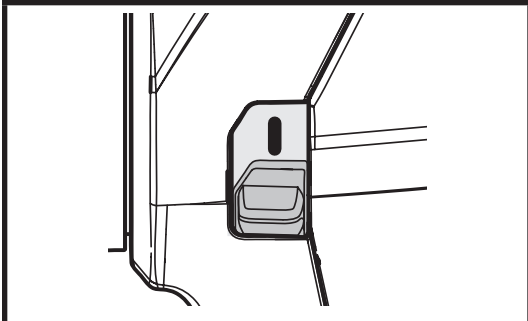
PREVENTION:

- Always wear appropriate gloves, eye protection, clothing and a respirator or mask when painting. Hazardous vapors – Paints, solvents, insecticides, and other materials can be harmful if inhaled or come in contact with body. Vapors can cause severe nausea, fainting or poisoning.
- Do not operate or spray near children. Keep children away from equipment at all times.
- Do not overreach or stand on an unstable support. Keep effective footing and balance at all times.
- Stay alert and watch what you are doing.
- Do not operate the unit when fatigued or under the influence of drugs or alcohol.
- Never aim spray gun at any part of the body.
- Follow all appropriate local, state, and national codes governing ventilation, fire prevention, and operation.
- The United States Government Safety Standards have been adopted under the Occupational Safety and Health Act (OSHA). These standards, particularly part 1910 of the General Standards and part 1926 of the Construction Standards should be consulted.
- Use only manufacturer authorized parts. User assumes all risks and liabilities when using parts that do not meet the minimum specifications and safety devices of the turbine manufacturer.
- Power cord must be connected to a grounded circuit.
- Do not spray outdoors on windy days.

CONTROLS AND FUNCTIONS



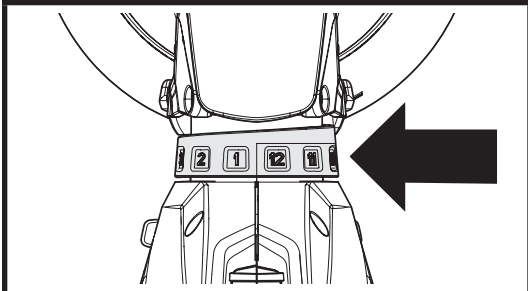
CONTROLS AND FUNCTIONS



ON / OFF SWITCH

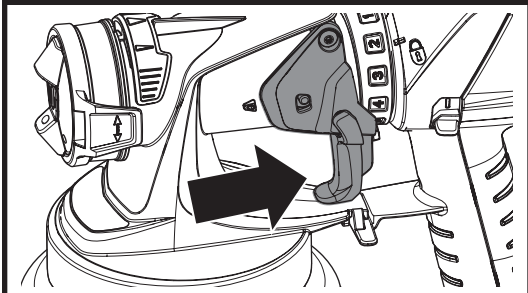
The ON/ OFF switch turns the turbine ON (I) and OFF (0).

No spray material will be delivered until trigger is pulled.



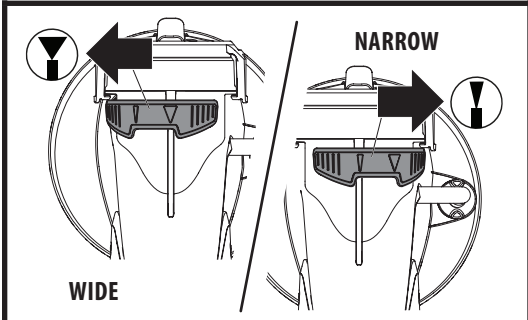
MATERIAL FLOW CONTROL

The material flow control knob determines the amount of material that is sprayed from the nozzle assembly.



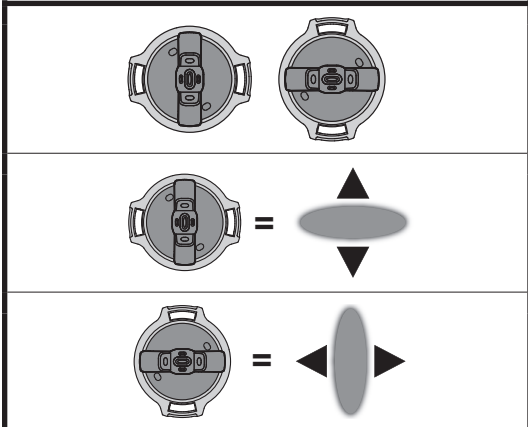
TRIGGER

Pulling the trigger will deliver material from the material container to the nozzle assembly, where it is sprayed.



SPRAY WIDTH LEVER

The spray width lever determines the width of the spray pattern.



ADJUSTMENT RING

The spray pattern shape is adjusted by turning the adjustment ring to either the vertical or horizontal positions.

Horizontal pattern (use 'up and down' spraying motion)

Vertical pattern (use 'side to side' spraying motion)

SETUP



For a video showing how to set up the Control Spray QX5, visit:
www.wagnerspraytech.com/controlsprayQX5

MATERIAL PREPARATION



Material to be sprayed may need to be strained to remove any impurities in the paint which may enter and clog the system. Impurities in the paint will give poor performance and a poor finish.

SPRAYABLE MATERIALS (WATER AND OIL-BASED)

- Semi-Transparent stain
- Solid stains
- Lacquers
- Urethanes
- Decorative paints (thinning may be necessary)
- Latex and oil-based paints (thinning may be necessary)

*THINNING THE MATERIAL

Before spraying, the material being used may need to be thinned with the proper solvent as specified by the material manufacturer. Never exceed the thinning advice given by the coating manufacturer.

If thinning is necessary, use the proper solvent as specified by the material manufacturer. Never exceed the thinning advice given by the coating manufacturer.



Only thin the material if absolutely necessary to improve spray performance. Optimal spray performance should be achieved simply by adjusting the various controls on the unit.



Do not thin with materials that have a flashpoint below 100°F (38°C).

SETUP



For a video showing how to set up the Control Spray QX5, visit:
www.wagnerspraytech.com/controlsprayQX5

ASSEMBLY



NEVER point the spray gun at any part of the body.

Make sure the power cord is unplugged.

1. Stir the spraying material thoroughly.
2. Fill the container. Use a strainer to remove any particles.
(see **Thinning the Material**, previous page, if thinning is required).
3. Align the pickup tube -
 - A If spraying downward, the angled end of the pickup tube should be pointing toward the front of the nozzle.
 - B If spraying upward, the angled end of the pickup tube should be pointing toward the rear of the nozzle.



Make sure the pickup tube is inserted as far as it will go to ensure a tight fit.



Attention

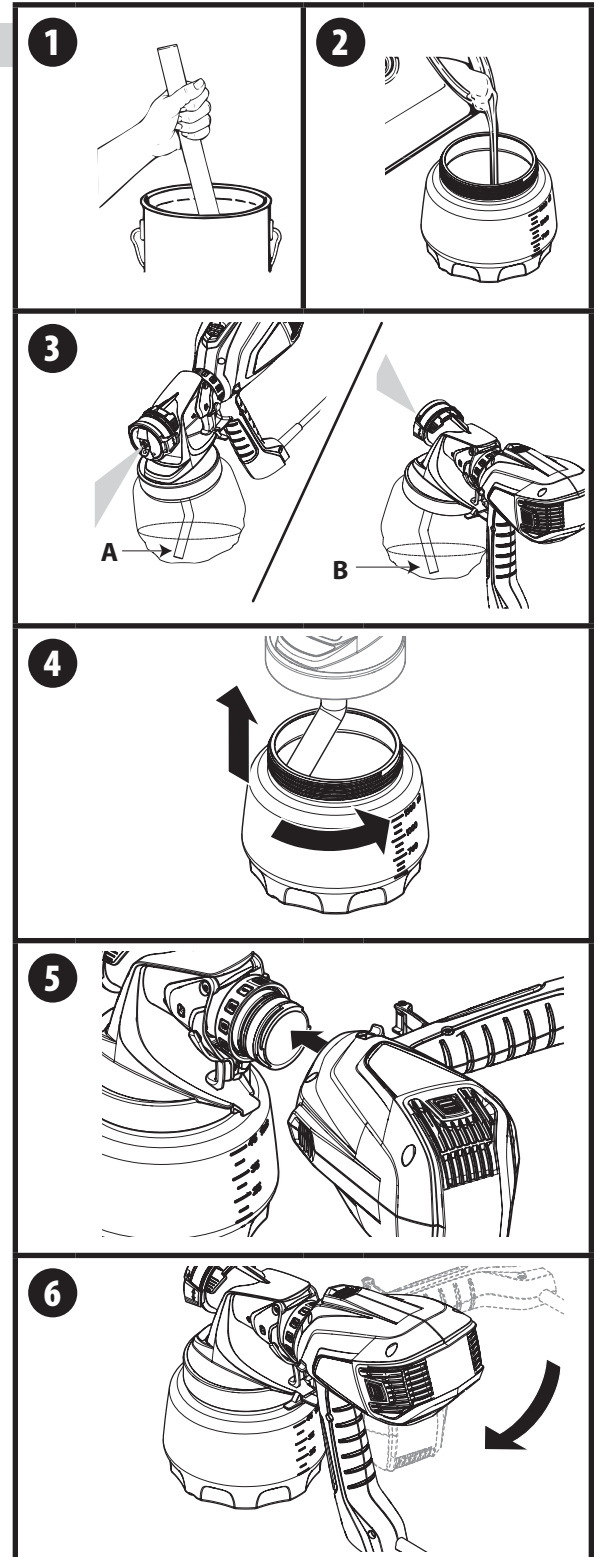
Never tip the sprayer at more than a 45° angle. Material could get into the turbine and damage the sprayer.

4. Carefully screw the cup back onto the nozzle assembly. Tighten firmly.
5. Align the nozzle and the turbine approximately as shown.
6. Insert and twist the nozzle into the turbine toward the "lock" symbol on the turbine.
The tab below the trigger will lock the two pieces into place.



Attention

Do not pull trigger at any time if the turbine is not running. Paint will drip from the nozzle.



SPRAYER CONTROLS



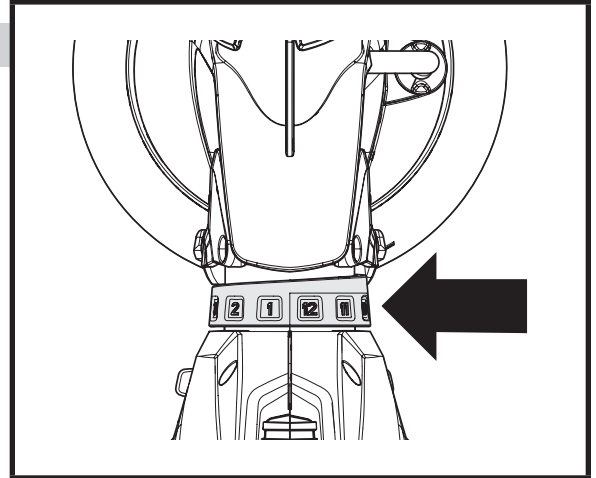
For a video showing Control Spray QX5 spraying tips and best practices, visit:
www.wagnerspraytech.com/controlsprayQX5

MATERIAL FLOW CONTROL



The material flow control will be factory-set at its lowest setting out of the box. Adjust as needed.

- Turn the knob out (counterclockwise) for less flow. Generally, low material flow is needed for spraying smaller surface areas, such as corners, lattice, or spindles.
- Turn the knob in (clockwise) for increased flow. Generally, high material flow is needed for spraying large surface areas, such as fences and decks.



AIR CAP / PATTERN ADJUSTMENT



Adjust the spray pattern by turning the air cap ears. The air cap position will determine the movement direction of the spray gun.

The spray width lever on the iSpray nozzle determines the width of the spray pattern.

1. Vertical pattern:

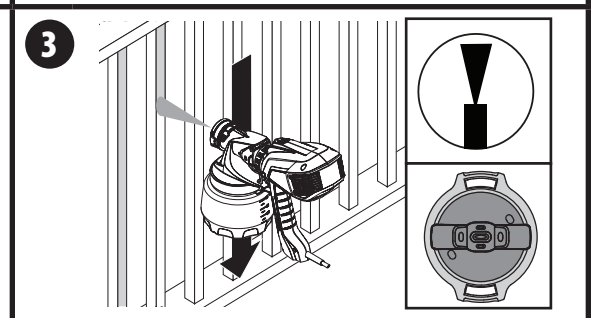
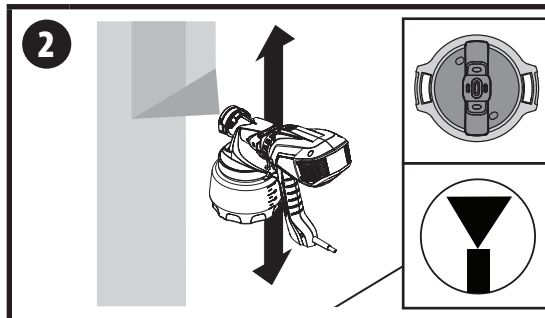
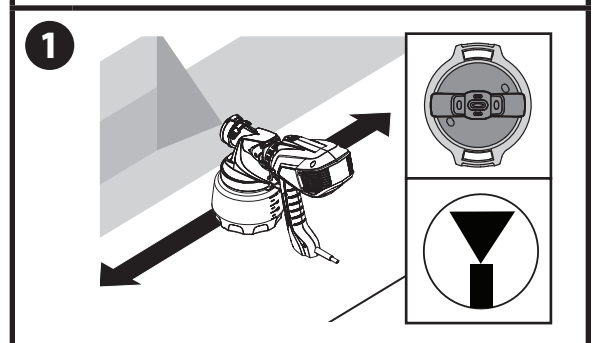
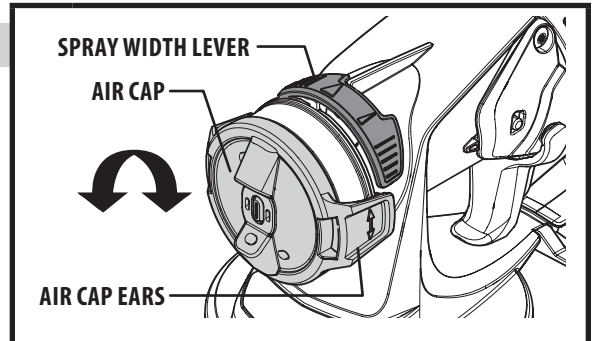
Use side-to-side motion during spraying.

2. Horizontal pattern:

Use up and down motion during spraying.

3. Narrow pattern (set spray width lever to narrow):

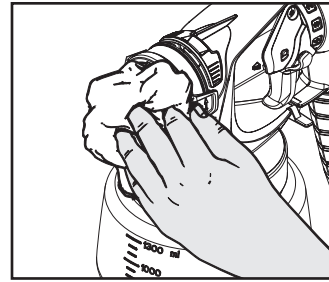
Use up and down, or side to side spraying motion, depending upon the object being sprayed..



SPRAYING



Frequently wipe the nozzle tip with a damp rag when spraying to remove dried material.

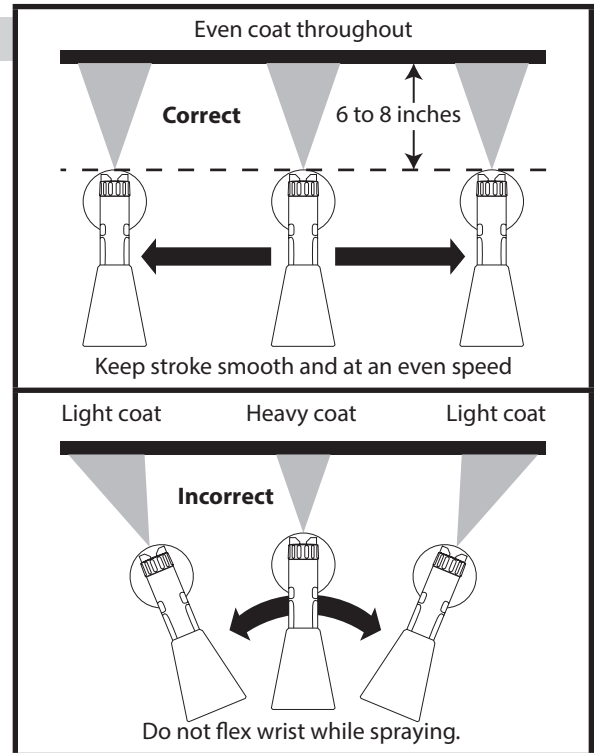


HOW TO SPRAY PROPERLY

- Turn the ON/OFF switch to ON (I) to turn on the turbine. No material will spray until the trigger is activated.
- Position the spray gun perpendicular to the spray surface.
- Spray parallel to the surface with straight and full passes at a consistent speed as illustrated, right.
- Always apply a thin coat of material on the first pass and allow to dry before applying a second, slightly heavier coat.
- When spraying, always trigger the spray gun after the spray pass has begun and release the trigger before stopping the pass. Always keep the gun pointed squarely at the spray surface and overlap passes by 50% to obtain the most consistent and professional finish possible.



Frequently wipe the nozzle tip with a damp rag when spraying to remove dried material.



PRACTICE YOUR TECHNIQUE

Practice your technique (use provided poster).

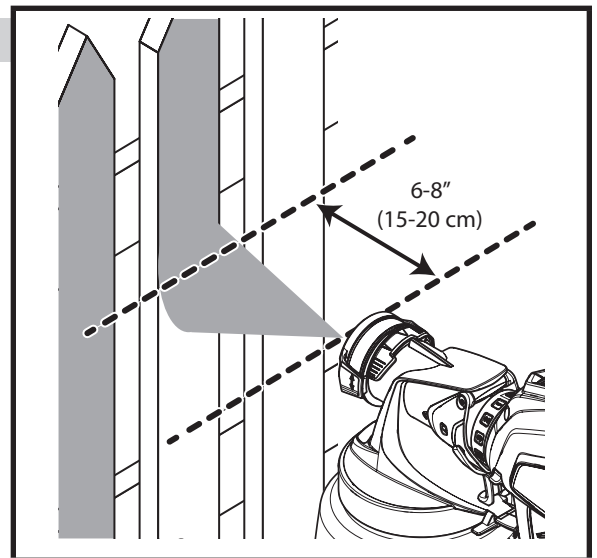
- **Get closer.** The spray gun should be 3-6 inches away from the spray object.
- **Full passes.** Spray the material in straight and full passes, not short waves.
- **Light coats.** For a finer finish, coat lightly during first pass, then cover completely on second pass. .



DO NOT pull the trigger when the turbine is turned OFF. Spray material will leak from the nozzle.



If after following the guidelines on these two pages you are still not getting the spray performance you need, refer to the 'Troubleshooting' section on page 12.



CLEANUP



For a video showing cleanup of the Control Spray QX5, visit:
www.wagnerspraytech.com/controlsprayQX5

CLEANUP NOTES



When cleaning, use the appropriate cleaning solution (warm, soapy water for water-based coatings, and mineral spirits for oil-based coatings).



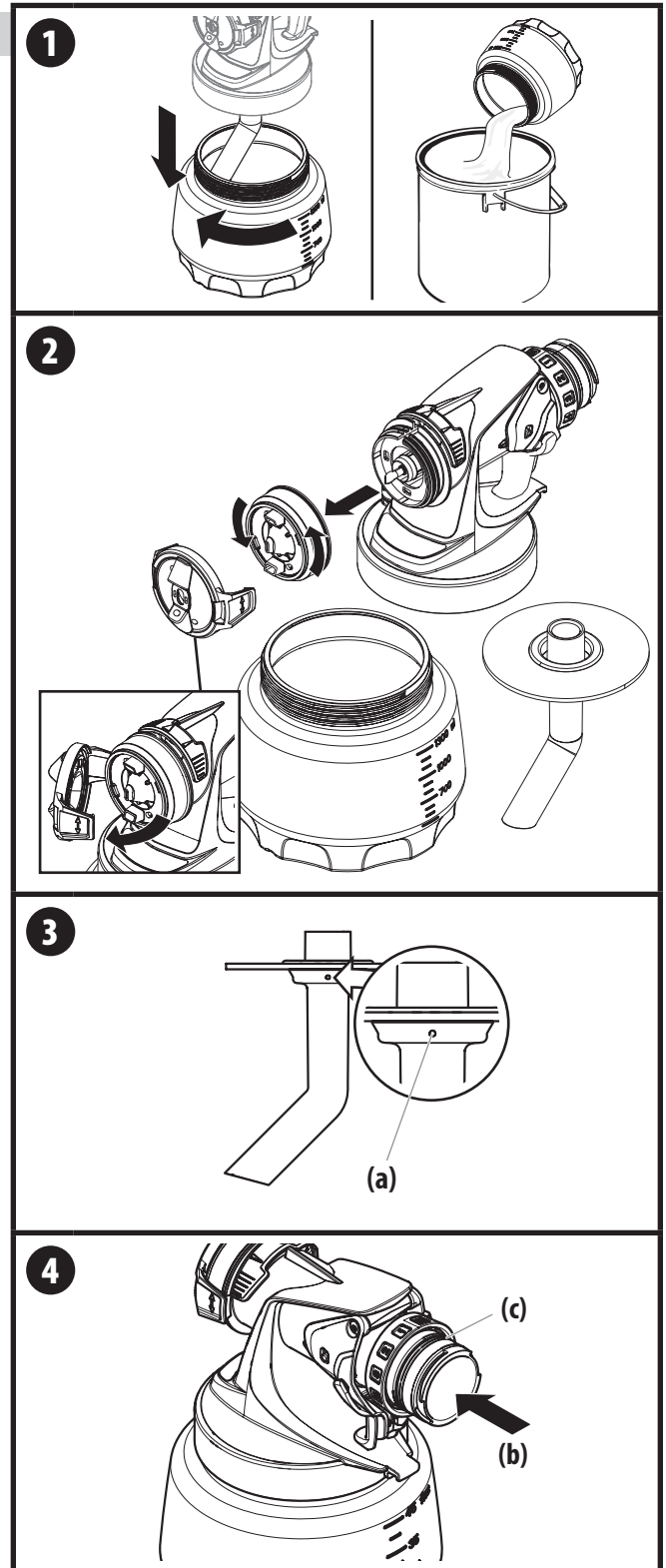
Special cleanup instructions for use with flammable solvents (must have a flashpoint above 100°F (38°C):

- Always flush spray gun outside.
- Area must be free of flammable vapors.
- Cleaning area must be well-ventilated.
- Do not submerge turbine!



For basic quick-cleaning between color changes, fill the material container with cleaning solution and spray the cleaning solution through the gun and into a waste container.

1. Turn turbine OFF. Separate the turbine from the nozzle.
Remove the container and empty any remaining material. Thoroughly rinse the material container with warm, soapy water (or mineral spirits for oil-based materials).
2. Disassemble the spray gun and clean all parts with warm soapy water (or mineral spirits for oil-based materials).
Reassemble all parts when clean.
3. Clean the air vent (a) on the suction tube with a soft bristled cleaning brush.
4. Clean the rear of the nozzle (b) with the appropriate cleaning solution. Use a thin layer of petroleum jelly to lubricate the O-ring (c).



MAINTENANCE

CLEANING THE FILTER



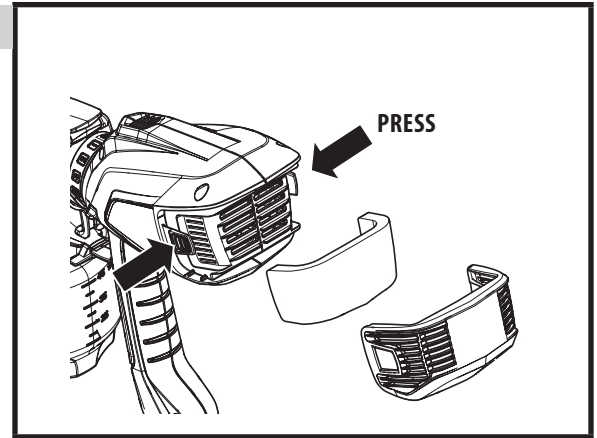
Attention

Before every use, you should inspect the air filter in the turbine to see if it is excessively dirty. If it is dirty, follow these steps to replace it.

Never operate your unit without the air filters. Dirt could be sucked in and interfere with the function of the unit.

1. Press the tabs at the rear of the turbine. Slide the rear housing off of the back of the turbine.
2. Remove the dirty filter from the turbine and replace with a new one. The smooth side of the air filter must be placed toward the turbine.

Secure the cover back onto the turbine.



CLEANING THE AIR VALVE TUBE



If spray material ever enters the air valve tube, follow the steps below.

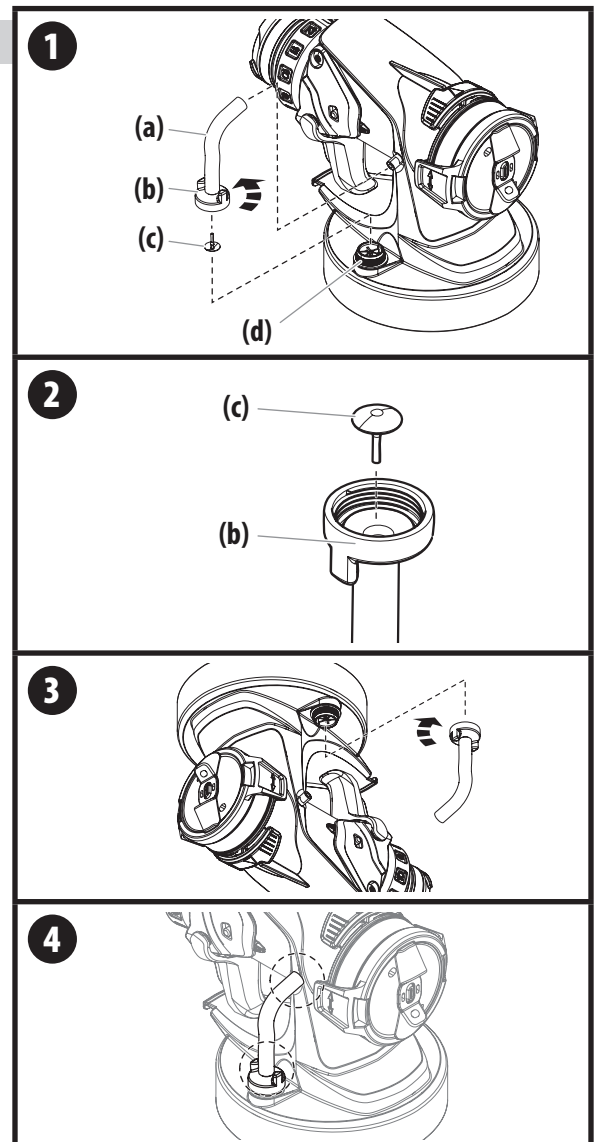
1. Pull the air tube (a) at the top from the nozzle. Screw off the valve cover (b).
Remove the valve seal (c). Clean all the parts carefully. Make sure to remove any material from valve seal housing area (d).



Attention

The air tube and valve seal (c) are only solvent-resistant to a limited extent. Do not immerse in solvent, only wipe.

2. Place the valve seal (c) in the valve cover (b) with the pin facing into the tube. Installing the valve seal into the valve cover will be much easier if the valve cover is inverted.
3. Turn the nozzle upside down and screw on the valve cover (with valve seal inside) from underneath. Turning the nozzle upside down will prevent the valve seal from falling out of the valve cover during reinstallation.
4. Place the air tube on the valve cover and on the nipple at the nozzle.



TROUBLESHOOTING

PROBLEM	CAUSE	SOLUTION
Problem A: Little or no material flow	<ol style="list-style-type: none"> 1. Nozzle clogged. 2. Suction tube clogged. 3. Material flow setting too low. 4. Suction tube loose. 5. No pressure build up in container. 6. Air filter clogged. 7. Spray material too thick. 8. Nozzle seal missing or worn. 	<ol style="list-style-type: none"> 1. Clean. 2. Clean. 3. Increase material flow setting. 4. Remove and replace as tightly as possible. 5. Tighten container. Check the air vent hole on the pick up tube - clean if clogged. 6. Change 7. Thin*. 8. Replace nozzle.
Problem B: Material leaking	<ol style="list-style-type: none"> 1. Nozzle loose. 2. Nozzle worn. 3. Nozzle seal missing or worn. 4. Material build-up on air cap and nozzle 	<ol style="list-style-type: none"> 1. Tighten. 2. Replace. 3. Replace nozzle. 4. Clean.
Problem C: Spray pattern too thick, runs and sags	<ol style="list-style-type: none"> 1. Material flow setting too high. 2. Applying too much material. 3. Nozzle clogged. 4. Air filter clogged. 5. Too little pressure build-up in container. 6. Spray material too thick. 	<ol style="list-style-type: none"> 1. Decrease material flow setting. 2. Adjust material flow or increase movement of spray gun. 3. Clean. 4. Change. 5. Tighten container. 6. Thin*.
Problem D: Spray jet pulsates	<ol style="list-style-type: none"> 1. Material in container running out. 2. Air filter clogged. 	<ol style="list-style-type: none"> 1. Refill. 2. Change.
Problem E: Too much overspray	<ol style="list-style-type: none"> 1. Gun too far from spray object. 	<ol style="list-style-type: none"> 1. Reduce distance (6"-8" is ideal).
Problem F: Pattern is very light and splotchy	<ol style="list-style-type: none"> 1. Moving the spray gun too fast. 2. Material flow setting too low. 	<ol style="list-style-type: none"> 1. Adjust material flow or decrease movement of spray gun. 2. Increase material flow setting.



***Only thin the material as a last resort to improve spray performance. Optimal spray performance should be achieved simply by adjusting the various controls on the unit.**



This unit contains no servicable electrical parts. Do not attempt to service yourself. Store indoors with the cord wrapped around the turbine handle.



Have you tried the recommendations above and are still having problems? In the United States, to speak to a customer service representative, call our Technical Service at 1-800-328-8251. See www.wagnerspraytech.com in the "Contact Us" section for Technical Service hours.

LIMITED WARRANTY

HVLP PAINT SPRAY EQUIPMENT

This product, manufactured by Wagner Spray Tech Corporation (Wagner), is warranted against defects in material and workmanship for one year following date of purchase if operated in accordance with Wagner's printed recommendations and instructions. This warranty does not cover damage resulting from improper use, accidents, user's negligence or normal wear. This warranty does not cover any defects or damages caused by service or repair performed by anyone other than a Wagner Authorized Service Center.

ANY IMPLIED WARRANTY OF MERCHANTABILITY OR FITNESS FOR A PARTICULAR PURPOSE IS LIMITED TO ONE YEAR FOLLOWING DATE OF PURCHASE. WAGNER SHALL NOT IN ANY EVENT BE LIABLE FOR ANY INCIDENTAL OR CONSEQUENTIAL DAMAGES OF ANY KIND, WHETHER FOR BREACH OF THIS WARRANTY OR ANY OTHER REASON. THIS WARRANTY DOES NOT APPLY TO ACCESSORIES.

THIS PRODUCT IS DESIGNED FOR HOME USAGE ONLY. IF USED FOR COMMERCIAL OR RENTAL PURPOSES, THIS WARRANTY APPLIES ONLY FOR 30 DAYS FROM DATE OF PURCHASE.

If any product is defective in material and/or workmanship during the applicable warranty period, return it with proof of purchase, transportation prepaid to any Wagner Authorized Service Center. Wagner's Authorized Service Center will either repair or replace the product (at Wagner's option) and return it to you, postage prepaid.

SOME STATES DO NOT ALLOW LIMITATIONS ON HOW LONG AN IMPLIED WARRANTY LASTS OR THE EXCLUSION OF INCIDENTAL OR CONSEQUENTIAL DAMAGES, SO THE ABOVE LIMITATION AND EXCLUSION MAY NOT APPLY TO YOU. THIS WARRANTY GIVES YOU SPECIFIC LEGAL RIGHTS, AND YOU MAY ALSO HAVE OTHER RIGHTS WHICH VARY FROM STATE TO STATE.

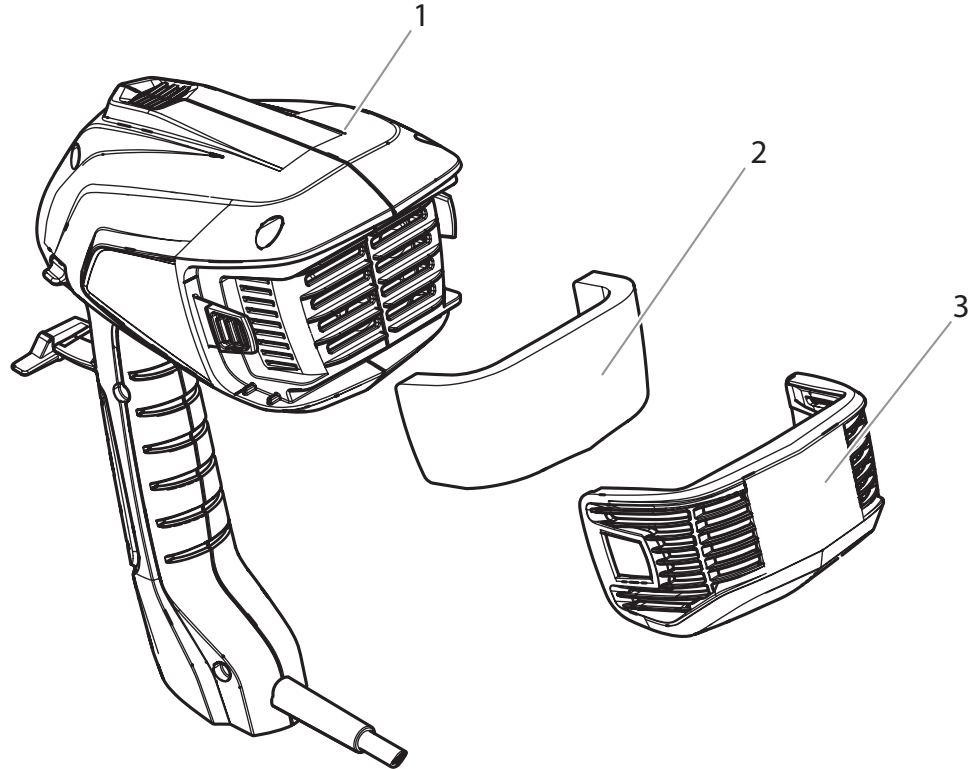
PARTS LIST • LISTE DE PIÈCES • LISTA DE PIEZAS

Replacement parts available by calling customer service

On peut obtenir des pièces de rechange en appelant le Service à la clientèle.

Los repuestos están disponibles llamando al servicio a clientes.

1-800-328-8251

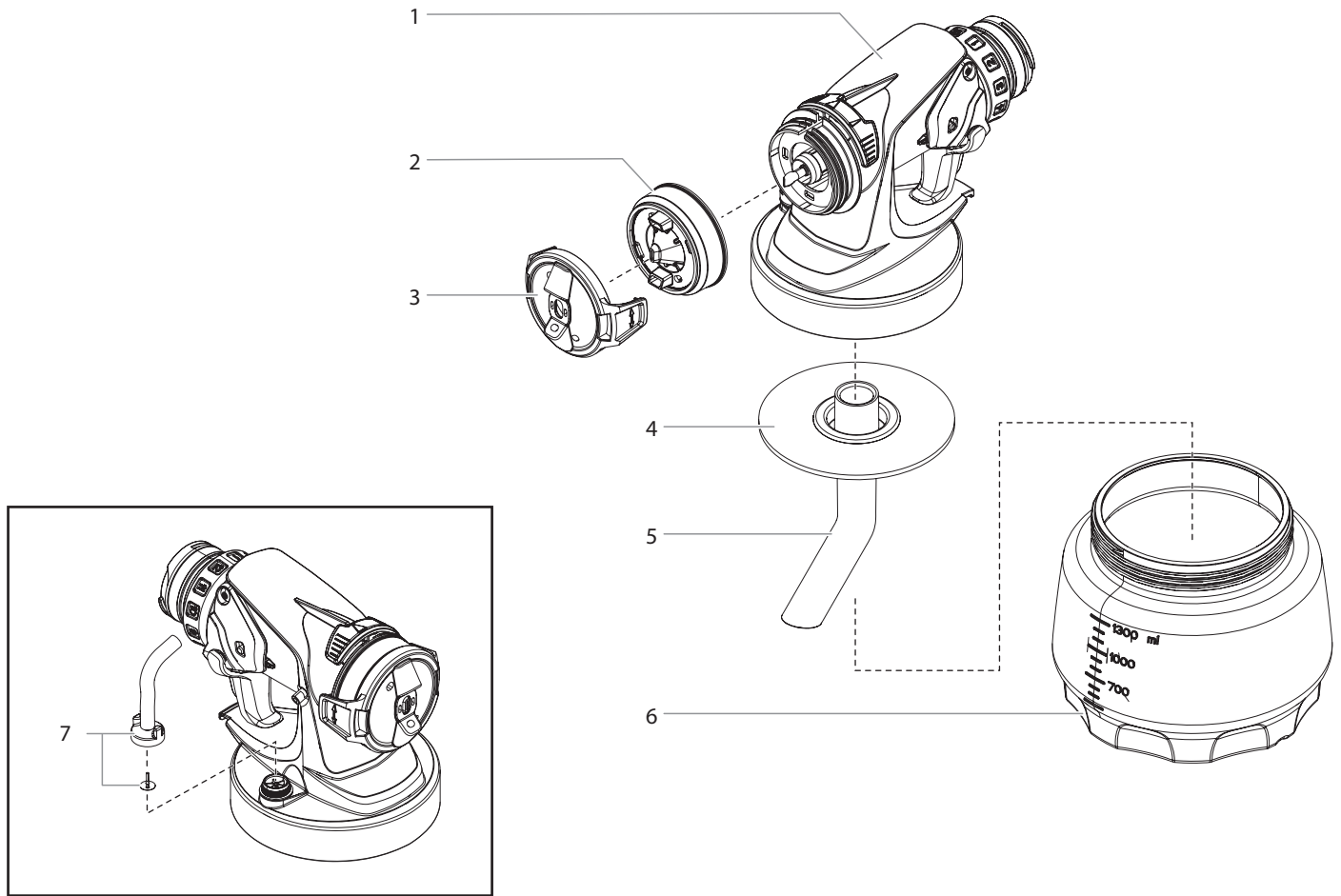


#	Part No. N° de pièce Pieza No.	English Description	Français Description	Español Descripción	Qty. Qte. Cant.
1	-----	Turbine (includes item 2-3)	Turbine (includ de pièce 2-3)	Turbina (incluye le articulo 2-3)	1
2	2382954	Filter	Filtre	Filtro	2
3	2373740	Filter housing	Poignée de pistolet	Alojamiento de	1

COMPATIBLE ACCESSORIES • ACCESSOIRES COMPATIBLES • ACCESORIOS COMPATIBLES

Part No. N° de pièce Pieza No.	English Description	Français Description	Español Descripción
0529013	Detail Finish nozzle	Buse de Detail Finish	Boquilla de Detail Finish
	<ul style="list-style-type: none"> Controlled coverage, speed with smooth finish Detail projects and finer finishing 	<ul style="list-style-type: none"> Vitesse de couverture contrôlée avec finition lisse Projets détaillés et finition fine 	<ul style="list-style-type: none"> Velocidad de cobertura controlada con acabado uniforme Proyectos de detalle y acabado más fino
0529257	Control Finish nozzle	Buse de Control Finish	Boquilla de Control Finish
	<ul style="list-style-type: none"> Medium coverage speed with semi-smooth finish Finishing and painting small projects 	<ul style="list-style-type: none"> Vitesse de couverture moyenne avec finition semi-lisse Finition et projets de peinture plus petits 	<ul style="list-style-type: none"> Velocidad de cobertura media con acabado semiuniforme Acabado y pintado de proyectos pequeños

PARTS LIST • LISTE DE PIÈCES • LISTA DE PIEZAS



#	Part No. N° de pièce Pieza No.	English Description	Français Description	Español Descripción	Qty. Qte. Cant.
1	0520006	Spray gun assembly (includes items 1-7)	Ensemble de pistolet (includ des pièces 1 à 7)	Ensamblaje de pistola (incluye los articulos 1-7)	1
2	2382751	Nozzle assembly	Ensemble de buse	Ensamblaje de boquilla	1
3	2382753	Adjustment ring	Anneau de tarage	Anillo de ajuste	1
4	0417474	Seal	Joint	Sello	1
5	2361505	Suction tube	Tube d'aspiration	Tubo de succión	1
6	2361502	Material container	Réservoir de liquide	Recipiente	1
7	0529005	Tube / Valve seal	Tube / Joint de clapet	Tube / Junta de la válvula	1

CONTROL SPRAY™ QX5