

TROUBLE SHOOTING

CAUTION: Disconnect the power supply before servicing.

Status	Cause and Method of Repairing	Tools required
No power	Check circuit breakers If the power supply is damaged, please call for a qualified person	Philips Screwdriver
The motor does not run	a). The motor was broken, replace a new motor. b). The switch control was broken, replace a new switch. c). The capacitance was broken, replace a new capacitance.	Philips Screwdriver
Body vibration	a). The installation is not correct, check it and make sure the hood is level. b). The fan is broken, replace a new motor assembly. c). The motor assembly was not fixed well, check and install it firmly.	Philips Screwdriver
Noise vibration	Something dropped into the blower, check and clean it.	Philips Screwdriver
Weak suction	a). The distance from the range hood to cooking surface is too far, make sure the distance between bottom of the hood to cooking surface is minimum 24" to maximum 27". b). Windows, doors and drafts can effect the performance of the range hood. c). There are other air conditions effecting the vent pipe, make sure lower vent pipe exits downward. d). The running rate of the motor slows down, replace the motor or capacitor. If the range hood is near the window, the best solution is to protect the back of the range hood from draft caused by a window or door.	Philips Screwdriver
Light does not work	Replace a new LED light assembly	Philips Screwdriver

FULL ONE YEAR WARRANTY

Truvent warrants that the parts and assemblies of this product will be free of defects in material and workmanship under normal household use for 1 year from date of purchase. Truvent will replace any parts of your range hood (except light bulbs and filters) which are defective in materials or workmanship. This warranty covers the original purchaser with original receipt only and does not include business, commercial or industrial use of this product. Our responsibility under this warranty is limited only to the replacement of parts and no other costs. Truvent will, at its discretion, provide replacement parts for installation by consumer for any parts that prove defective under normal usage and service with new or equivalent parts.

Customer Service Department: 1-800-626-3525 or Email: warranty@cmiproduct.com



RANGE HOOD

USER MANUAL

READ AND SAVE THIS INSTRUCTION MANUAL

CONTENTS

TECHNICAL SPECIFICATIONS	1
IMPORTANT SAFETY INSTRUCTIONS.....	1-2
GROUNDING INSTRUCTIONS(1).....	3
GROUNDING INSTRUCTIONS(2).....	3-4
DIMENSIONS	4
MAIN PARTS NAME.....	5-7
INSTALLATION REQUIREMENTS.....	8
INSTALLATION PROCEDURES.....	9-11
OPERATING INSTRUCTION.....	11
MAINTENANCE.....	12
TO REPLACE LED LIGHT.....	12
CARBON FILTER	13
TROUBLE SHOOTING.....	14

CARBON FILTER

These carbon filters are designed for ventless range hood, they can be attached to the range hood blower and clean up the smell before recirculating the air back into the house. For those who do not have exhausting duct installed to circulate the cooking air outside the house, this is a perfect solution!

The carbon filters are easy to install, and easy to be replaced. Our carbon filters come in black and white colors. It doesn't matter what color of the filters you received, because they are not visible once it is installed.

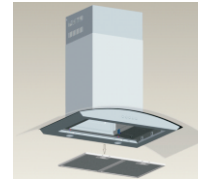
Carbon Filters Installation Guide:

If the range hood is used in recirculation mode then it is necessary to install a pair of carbon filters to absorb unpleasant odors caused by cooking.

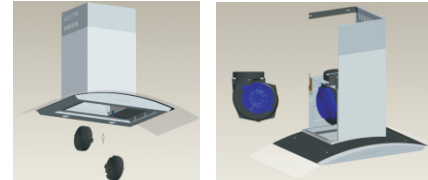
Warning! Disconnect the power before you install or replace carbon filters.

Installing carbon filters:

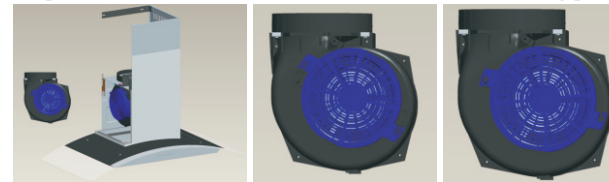
Step 1: Remove the grease filters, locate the blower inside the hood



Step 2: Attach the carbon filters to both sides of the blower.



Step 3: Twist the carbon filter until it is in the locking position.



Step 4: Reinstall the grease filters, reconnect the power.



Removing the carbon filters:

Remove the grease filters, locate the carbon filters attached to the blower inside the hood, twist and loosen the filter then remove it from the blower.

Replacing the carbon filters:

The carbon filter should be replaced every 12-15 months or if the filter shows signs of damage.

DIRECT WIRING

Note: This range hood must be properly grounded. The unit should be installed by a qualified electrician in accordance with all applicable national and local electrical codes.

1. Remove the wiring box cover. Remove a knockout from the wiring box.
2. Secure the wire to the wiring box through an approved connector.
3. Make electrical connections. Connect white to white, black to black and green to green.
4. Replace wiring box cover and screws. Make sure that wires are not pinched between cover and box.

MAINTENANCE

CAUTION: NEVER PUT YOUR HAND INTO THE HOUSING AREA WHILE THE FAN IS OPERATING. FOR THE OPTIMAL LEVEL OF OPERATION, CLEAN THE RANGE HOOD SURFACE, FAN, AND ALUMINUM FILTER REGULARLY.

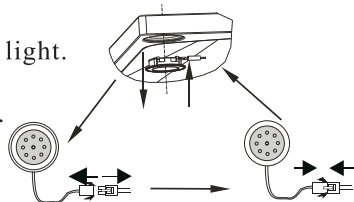
1. Use only mild soap or detergent solutions to clean the range hood surface. Dry surface using soft cloth.
2. Use a stainless steel cleaner to polish stainless steel finish.
3. Clean the aluminum filter once a week or more often if necessary. Press release button of the aluminum filter slightly, take off the aluminum filter and put it into warm soapy water using mild detergent. Wipe the aluminum filter with a soft brush. Replace the filter after it is dry. It can be washed in dishwasher.
4. Clean the blower assembly every 6 months and use it according to this manual for better results.
5. DO NOT clean the motor with water or other liquids.

TO REPLACE LED LIGHT

To replace LED light

Caution: LED light does not have a replacement bulb, replace with a new LED light. Make sure all the control switches are off, and the range hood is unplugged. Please follow below instructions:

1. Take out the filters, and unplug the connection to the light.
2. Press the spring according to the arrow direction, then you can take out the LED unit.
3. You can replace the LED light with no more than 2W or less.
4. Replace the LED unit, connect the wire of the light.
5. Replace filters.
6. For new LED light, please contact distributor.



Dear TruVent customer,

Thanks for your purchase of our TruVent range hood. Please make sure to read all the instructions carefully before proceeding with installation the range hood.

TECHNICAL SPECIFICATIONS

MODEL NO.:

1050137 1050138

812-0611 812-0612

812-0613 812-0614

812-0617 812-0618

TOTAL POWER: 154W 319W

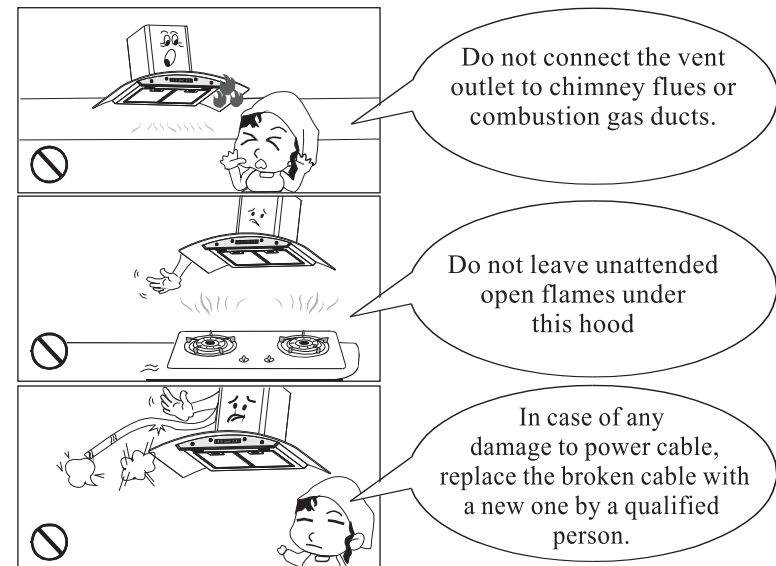
THREE SPEED MOTOR: 150W 315W

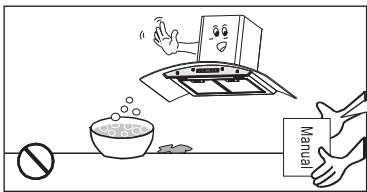
LIGHTS: 2 x 2W

VOLTAGE: 120V

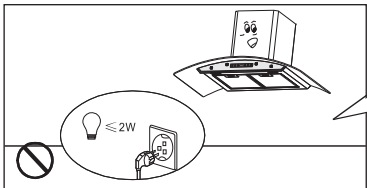
FREQUENCY: 60Hz

IMPORTANT SAFETY INSTRUCTIONS:

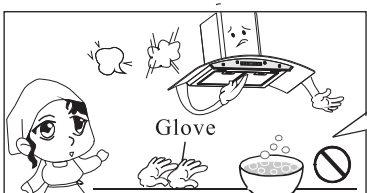




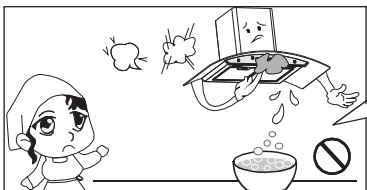
Clean the hood correctly in accordance with these instructions or it may cause the possibility of fire or operational problems



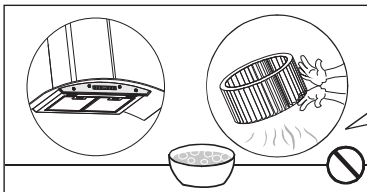
Replacing the LED light should be done by a qualified person. Always use the LED light no more than 2W or less.



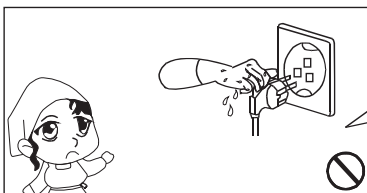
Use protective gloves to clean the hood. remove components gently during the cleaning



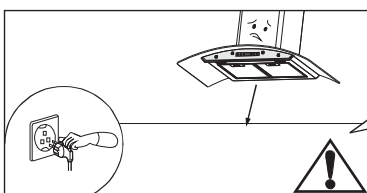
Never wash the control switch with water or it will cause electrical problems for the hood



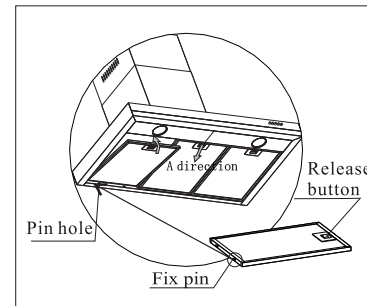
Cleaning the motor fan should be performed by a qualified person, make sure you do not loosen or knock the fan out of alignment.



Never pull the plug out of the power supply with wet hands to avoid the possibility of electric shock.



Disconnect the range hood from the power supply if it will not be used for a long time.



Step10:
812-0613
812-0614

Install the grease filter. Fit the pin into the pin hole, pull the release button and install the filter into place in the direction of arrow A.

OPERATING INSTRUCTION

1. How to use the Soft touch Control

1050137, 1050138
812-0611, 812-0612,
812-0613, 812-0614
812-0617, 812-0618



Timer/Clock	Fan	Light	Motor On/Off
<p>1. When the hood is working, press this button one time, it can set time as timer, touch each one more time can add one minute. The longest time you can set is 60 minutes.</p> <p>2. When the hood is not working, press this button for 3 seconds, it shows "88:88" on the digital display, you can use "⏰" to set "hour" and "⚙️" to set "minute" just like a clock.</p> <p>When the hood is off, hold the lock button down for 3 seconds, and then the clock should be set.</p>	<p>Fan:</p> <p>Touch this button, the motor works in high speed; Touch this button again, the middle speed runs; Touch the button again, the low speed runs; The motor stops after touching it the fourth time.</p>	<p>Touch this button one time to turn on the light.</p> <p>Touch again, the light will extinguish.</p>	<p>1. Touch this button one time when the hood is working, it will delay shut off one minute.</p> <p>2. Touch two times, it will turn off at once.</p>

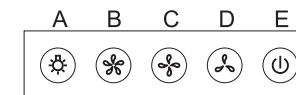
2. How to use the Touch Control

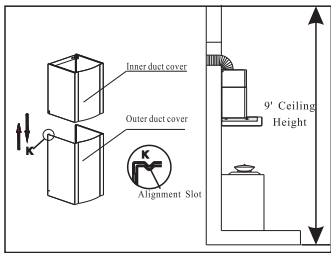
1050137, 1050138
812-0611, 812-0612,
812-0613, 812-0614
812-0617, 812-0618

A: Press button A to turn on the light.

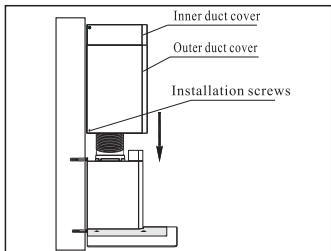
Press it again to turn off the light.

- B: Press button B, the fan runs at the high speed.
C: Press button C, the fan runs at the middle speed.
D: Press button D, the fan runs at the low speed.
E: Press button E, the fan turns off.

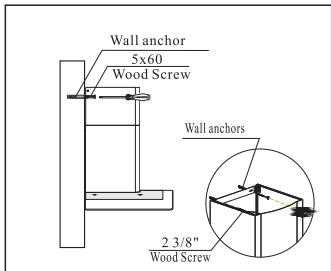




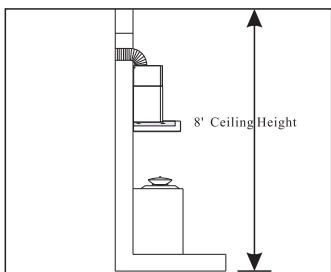
Step 5:
 Insert the inner duct cover into the outer duct cover. extension installations for 9' ceiling. optional extension inner duct cover available for 9' ceiling. Please note the optional extension replaces the included inner duct cover.



Step 6:
 Put the outer duct cover on the unit body, and use two M4x10 screws to fix the inner duct cover to the hood body.

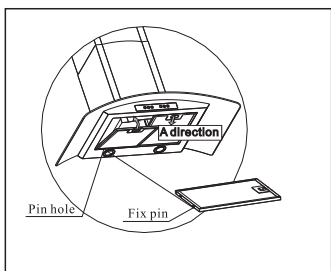


Step 7:
 1. Raise the inner duct cover up to the desired height, mark on the wall two hole positions of the outer duct cover bracket with a marker .
 2. Set down the inner duct cover and drill the holes in 2 1/2" -3" depth on the horizontal using an 8mm drill.
 3. Press the wall anchors provided into the holes.
 4. Matching the inner duct cover with the holes, tighten the inner duct cover with two 2 3/8" wood screws provided



Step 8:
 Extend the vent outlet of the vent pipe outside. Try to make the bend of the vent pipe no more than 120°.

Step 9:
 812-0611
 812-0612



Install grease filter. Pull the pin into the pin hole, pull the release button and filter into place in the direction of arrow A.

GROUNDING INSTRUCTIONS

This appliance must be grounded. In the event of an electrical short circuit, grounding reduces the risk of electric shock by providing an escape wire for the electric current.

WARNING - Improper grounding can result in a risk of electric shock. Consult a qualified electrician if the grounding instructions are not completely understood, or if doubt exists as to whether the appliance is properly grounded. Do not use an extension cord. If the power supply cord is too short, have a qualified electrician install an outlet near the appliance.

Disconnect the appliance from the power supply before servicing.

WARNING - TO REDUCE THE RISK OF FIRE, ELECTRIC SHOCK, OR INJURY TO PEOPLE, OBSERVE THE FOLLOWING:

a) Use this unit only in the manner intended by the manufacturer. If you have questions, contact the manufacturer.

b) Before servicing or cleaning the unit, switch power off at electrical panel and disconnect in case the power is switched on accidentally. If the service electrical panel can not be locked, securely fasten a prominent warning device, such as a tag, to the electrical panel.

WARNING - TO REDUCE THE RISK OF A RANGE TOP GREASE FIRE:

a) Never leave surface units unattended at high settings. That will cause smoke steam and greasy spillovers that may ignite. Heat oils slowly on low or medium settings.

b) Always turn hood ON when cooking at high heat or when smoke or flame is present (i.e. Crepes Suzette, Cherries Jubilee, Peppercorn Beef Flame).

c) Clean ventilating fans frequently. Grease should not be allowed to accumulate on the fan or filter.

d) Use the proper pan size. Always use cookware appropriate for the size of the surface element.

WARNING - TO REDUCE THE RISK OF INJURY TO PERSONS IN THE EVENT OF A RANGE TOP GREASE FIRE, OBSERVE THE FOLLOWING:

a) SMOTHER FLAMES with a close-fitting lid, cookie sheet, or metal tray, then turn off the burner. BE CAREFUL TO PREVENT BURNS. If the flames do not go out immediately, EVACUATE AND CALL THE FIRE DEPARTMENT.

b) NEVER PICK UP A FLAMING PAN – You may be burned.

c) DO NOT USE WATER, including wet dishcloths or towels – a steam explosion will result.

d) Use an extinguisher ONLY if:

1) You know you have a Class ABC extinguisher, and you already know how to operate it.

2) The fire is small and contained in the area where it started.

3) The fire department is being called.

4) You can fight the fire with your back to an exit. Based on “Kitchen Fire Safety” Tips published by NFPA.

FULL ONE YEAR WARRANTY

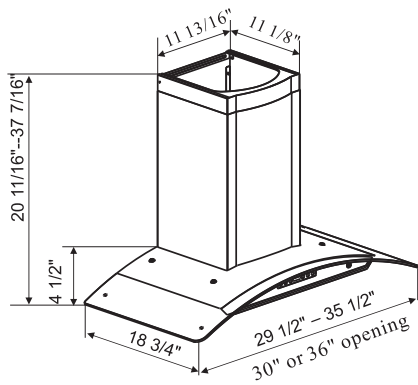
Truvent warrants that the parts and assemblies of this product will be free of defects in material and workmanship under normal house hold use for 1 year from date of purchase. Truvent will replace any parts of your range hood (except light bulbs and filters) which are defective in materials or workmanship. This warranty covers the original purchaser with original receipt only and does not include business, commercial or industrial use of this product. Our responsibility under this warranty is limited only to the replacement of parts and no other costs. Truvent will, at its discretion, provide replacement parts for installation by consumer for any parts that prove defective under normal usage and service with new or equivalent parts.

WARNING – TO REDUCE THE RISK OF FIRE, ELECTRIC SHOCK, OR INJURY TO PERSONS, OBSERVE THE FOLLOWING:

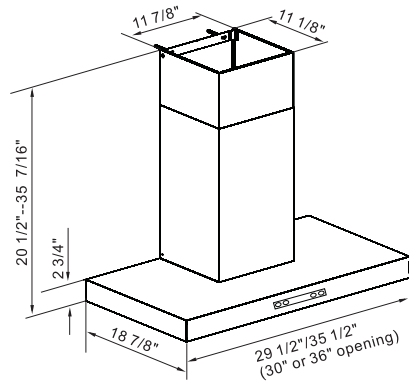
- a) Installation work and electrical wiring must be done by qualified person(s) in accordance with all applicable codes and standards, including fire-rated construction.
- b) Sufficient air is needed for proper combustion and exhausting of gases through the flue (chimney) of fuel burning equipment to prevent back drafting. Follow the heating equipment manufacturer's guideline and safety standards such as those published by the National Fire Protection Association (NFPA), and the American Society for Heating, Refrigeration and Air Conditioning Engineers (ASHRAE), and the local code authorities.
- c) When cutting or drilling into the wall or ceiling, avoid electrical wiring and other hidden utilities.
- d) Ducted fans must always be vented to the outdoors.

Read and save this instruction manual

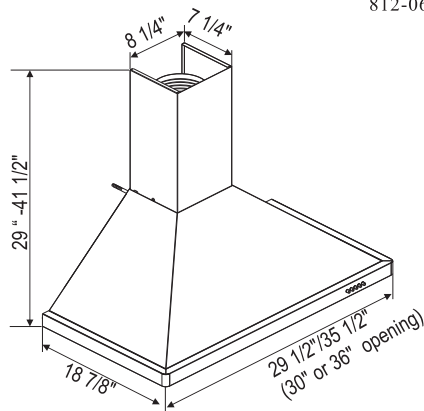
DIMENSIONS



1050138
812-0611
812-0612



812-0613
812-0614



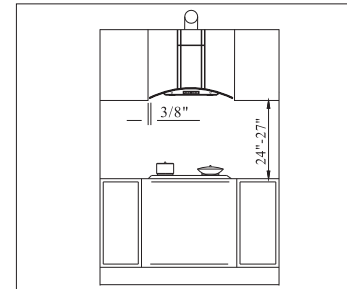
1050137
812-0617
812-0618

4

INSTALLATION PROCEDURES

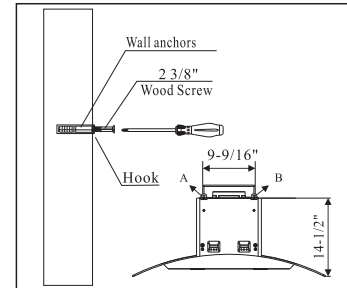
SAFETY WARNING

THE HOOD MAY HAVE SHARP EDGES; PLEASE WEAR PROTECTIVE GLOVES IF IT IS NECESSARY TO REMOVE ANY PARTS FOR INSTALLING, CLEANING OR SERVICING.



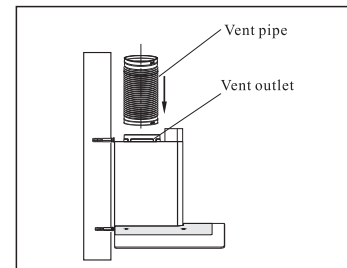
Step 1:

Fix the position of the range hood in accordance with the recommended height between 24" to 27" from the cooking surface to the bottom of the hood.



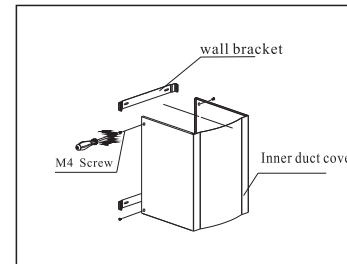
Step 2:

According to the space between holes A & B, drill 2 holes level in the wall with 5/16" in diameter and 2 1/2"-3" in depth. Press the 2 wall anchors provided into the holes. Install the 2 wood screws of 2 3/8" which are supplied with the hood. Make sure it is secure and cannot be moved. Hang the range hood on the 2 wood screws, and make sure it is level and stable. For installation safety, install 2 screws into security holes.



Step 3:

Take out the range hood from the carton and put it on a horizontal work surface. Attach the vent pipe into the vent outlet and then attach the vent pipe to the top of reducer.

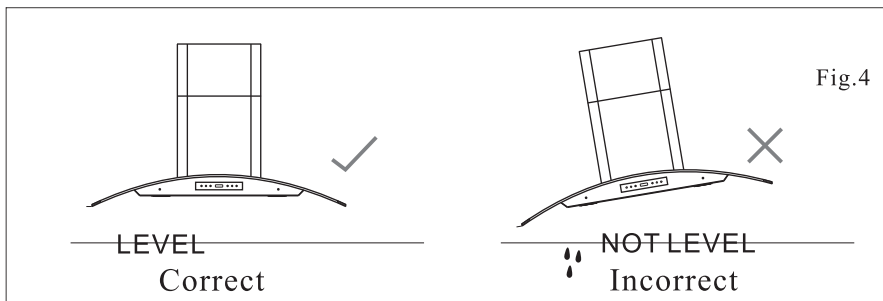
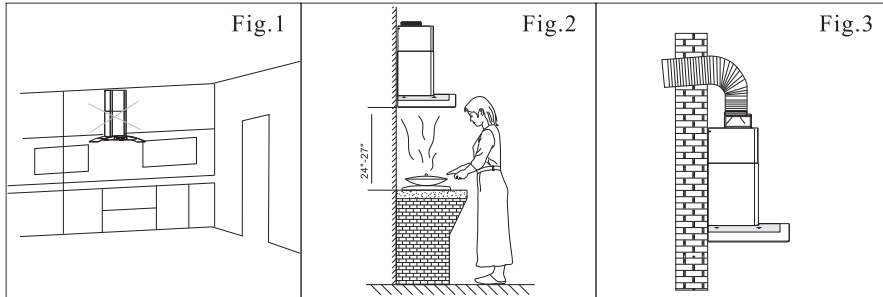


Step 4:

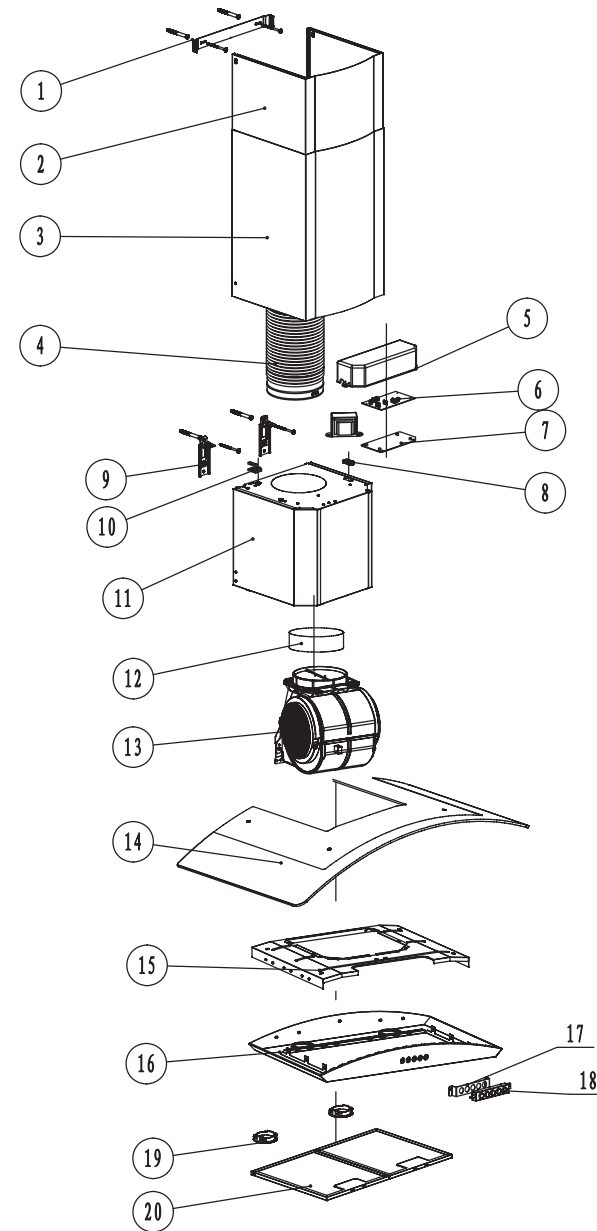
Match the bracket to the holes of the inner duct cover and fasten it with M4 installation screws.

INSTALLATION REQUIREMENT

1. Do not install the range hood where there are many doors or windows in order to avoid it effecting the exhaust efficiency of the hood caused by air convection. (Fig. 1)
2. Install the range hood directly above the cooking surface. The recommended distance between the cooking surface to the bottom of range hood is minimum 24" and maximum 27". (Fig. 2)
3. In order to get the optimum performance, do not extend the vent pipe too far, and try to make the bend of vent pipe less than 120°, make sure the connection is sealed correctly.(Fig. 3)
4. After hanging the unit on the wall, make sure the hood is level and vertical. (Fig. 4)
5. The vent outlet must not be connected to the chimney flues or combustion gas ducts. The vent outlet must not be connected to ventilation ducts from rooms in which fuel-burning appliances are installed.

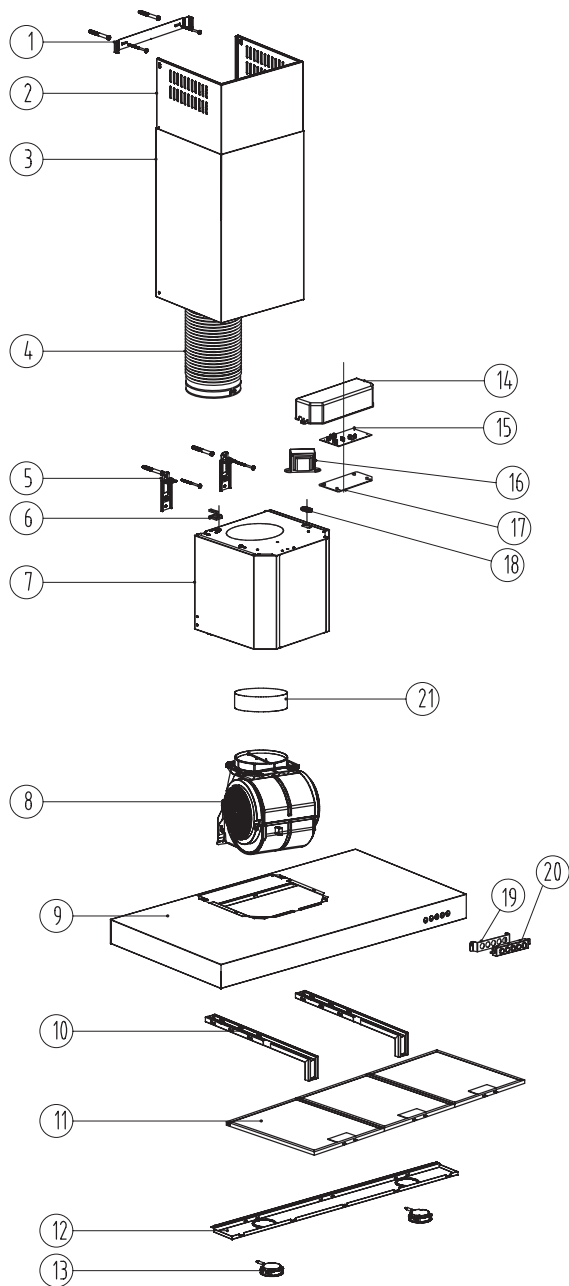


MAIN PARTS NAME



20	Aluminum filter
19	LED light
18	Switch assembly
17	Switch bracket
16	Steel frame
15	Metal frame
14	Main glass
13	Motor assembly
12	Plastic air-exit
11	Metal blower
10	Wire groove
9	Installation hanger
8	Wire exit
7	Electrical board bracket
6	Electrical board
5	Plastic box
4	Vent pipe
3	Outer chimney
2	Inner chimney
1	Chimney bracket
Code	Description

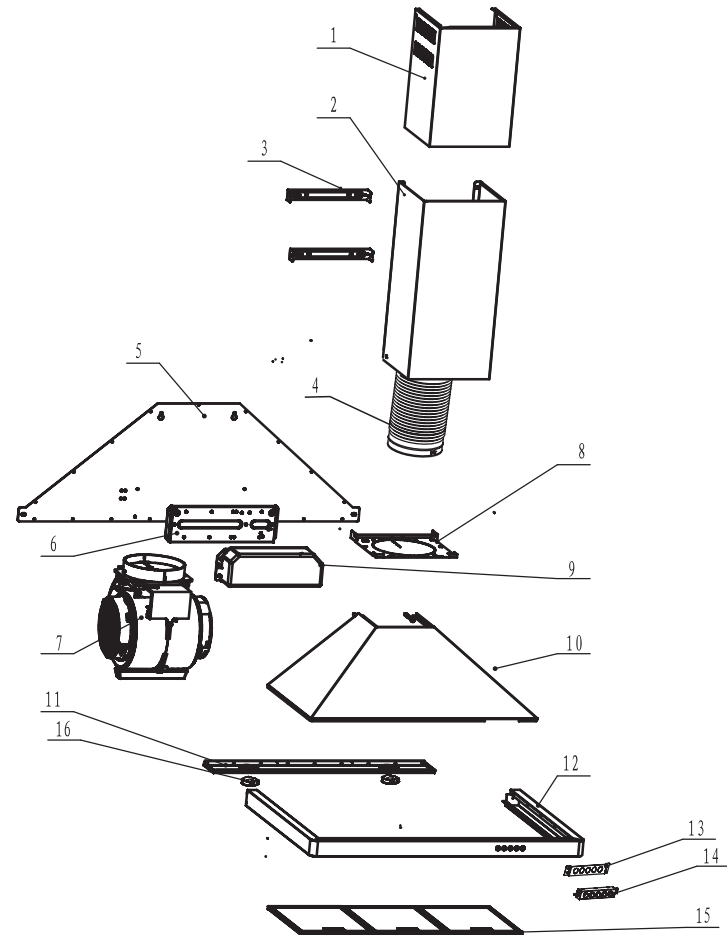
1050138
668A/KT(750)
668A/KT(900)



6

21	Plastic air-exit
20	Switch assembly
19	Switch bracket
18	Wire groove
17	Electrical board bracket
16	Electronic transformer
15	Electrical board
14	Plastic box
13	LED light assembly
12	LED light bracket
11	Aluminum filter
10	Re-inforced metal bar
9	Steel frame
8	Motor assembly
7	Metal blower assembly
6	Wire fixer
5	Hanging hook
4	Vent pipe
3	Outer chimney
2	Inner chimney
1	Inner chimney bracket
Code	Description

62790/KT(750)
62790/KT(900)



7

16	LED Light
15	Aluminum Filter
14	Electronic Switch
13	Switch Bracket
12	Stainless Steel Housing
11	LED Light Bracket
10	Main Hood Cover
9	Circuit Board Cover
8	Motor Mounting Bracket
7	Motor Assembly
6	Electrical Board Bracket
5	Hood Basket Panel
4	Vent pipe
3	Wall Mounting Bracket
2	Outer Shroud
1	Inner Shroud
Code	Description

1050137
812-0617/812-0618