

# Slides

## LEGRABOX

Section 4A



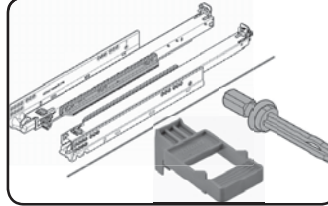
## TANDEMBOX

Section 4B



## MOVENTO

Section 4C



## METABOX

Section 4D



## TANDEM

Section 4E



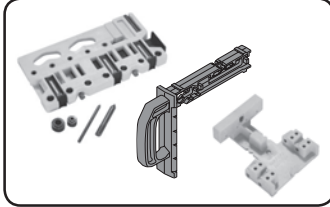
## Standard Drawer Runners

Section 4F



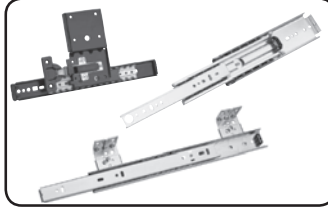
## Blum Tools and Jigs

Section 4G



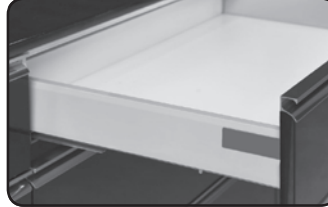
## Accuride Slides

Section 4H



## R Series Slides

Section 4I



## Undermount Slides

Section 4J



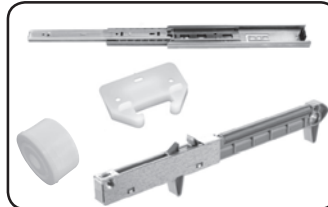
## Euro Slides

Section 4K



## Stainless Steel Slide and Slides Accessories

Section 4L



# SECTION 4

SCREWS AND FASTENERS	1
FURNITURE EQUIPMENT	2
HINGES	3
<b>SLIDES</b>	<b>4</b>
CASTERS AND LEGS	5
KITCHEN SOLUTIONS	6
CLOSET SOLUTIONS	7
LIGHTING SOLUTIONS	8
SINKS AND FAUCETS	9
OFFICE	10
SLIDING DOORS SYSTEMS	11
GLASS HARDWARE	12
PANELS AND SURFACES	13
EDGEBANDING	14
CABINET DOORS AND DRAWERS	15
MOLDINGS, CORBELS AND WINE CELLARS	16
GLUES, SILICONES, CAULK AND INSULATING	17
TOOLS AND SECURITY	18
FINISHING PRODUCTS AND ABRASIVES	19
COMMERCIAL DISPLAY AND HARDWARE	20
BUILDERS HARDWARE	21

I Slides I  
**LEGRABOX**  
 Overview

**blum** Richelieu  
**Section 4A**

All dimensions in millimeters (inch equivalents as shown)

Step 1: Choose application

Standard Drawer  
 C Height



Step 2: Locate information

Find the page for the application and determine what will be needed for installation.

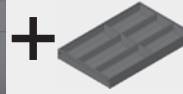


Cutlery (Page 4A19)

Step 3: Select components



Standard Drawer  
 C Height



AMBIA-LINE  
 Cutlery Kit

Step 4: Choose application

Follow the installation instructions for each component given in the catalog.



**M Height**  
 90.5 mm (3-9/16")

Standard Drawer  
 M Height - Pure



Page 4A3

**M Height**  
 90.5 mm (3-9/16")

Interior Roll-Out  
 M Height - Pure



Page 4A5

**C Height**  
 117 mm (7")

Standard Drawer  
 C Height - Pure



Page 4A7

Standard Drawer  
 C Height - Free



Page 4A9

**C Height**  
 117 mm (7")

Interior Roll-Out  
 C Height - Pure



Page 4A11

Interior Roll-Out  
 C Height - Free



Page 4A13

Interior Roll-Out  
 C Height -  
 1/2 Height Insert -  
 Free



Page 4A15

**F Height**  
 241 mm (9-1/2")

Standard Drawer  
 F Height - Pure



Page 4A17

**AMBIA-LINE**

Cutlery kit



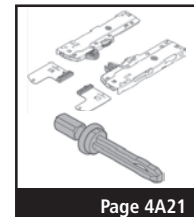
Page 4A19

Spacer Tower kit



Page 4A20

Accessories



Page 4A21

CCRM 2018

I slides |

# LEGRABOX

Standard Drawer – M Height (90.5 mm (3-9/16"))

# blum Richelieu Section 4A

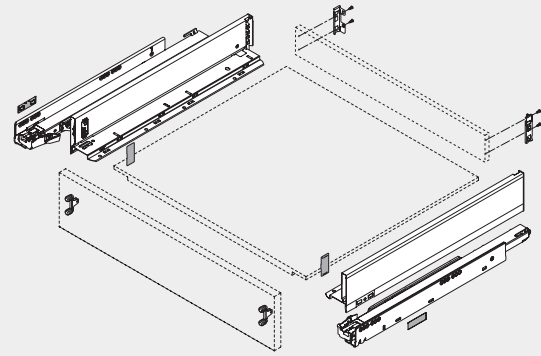
All dimensions in millimeters (inch equivalents as shown)



**LEGRABOX PURE**

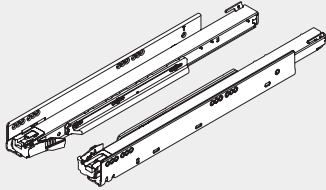
### Description

- Full extension drawer system with BLUMOTION
- Smooth running action
- Three-dimensional drawer front adjustment
- Dynamic load capacity min. of 40 kg
- Drawer profile height 90.5 mm (3-9/16")



### Component Specifications

Cabinet profiles sets (left and right)



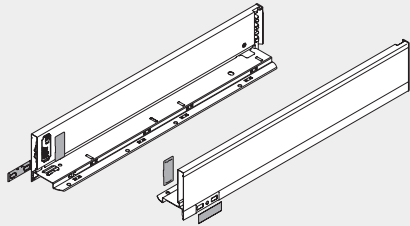
Nominal length	Actual cabinet profile length	40 kg	70 kg
11"	270 mm (10-5/8")	7502701B	-
14"	350 mm (13-3/4")	7503501B	-
16"	400 mm (15-3/4")	7504001B	-
18"	450 mm (17-11/16")	7504501B	7534501B
20"	500 mm (19-11/16")	7505001B	7535001B
22"	550 mm (21-5/8")	7505501B	7535501B
24"	600 mm (23-5/8")	-	7536001B

\* Suitable for Servo-Drive

Qty/box 1 pair

Drawer profile sets (left and right)

Includes color coordinated cover caps

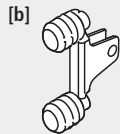


Nominal length	Actual cabinet profile length	Orion Gray	Inox
		770M2702107	770M2702170
11"	270 mm (10-5/8")	770M2702107	770M2702170
14"	350 mm (13-3/4")	770M3502107	770M3502170
16"	400 mm (15-3/4")	770M4002107	770M4002170
18"	450 mm (17-11/16")	770M4502107	770M4502170
20"	500 mm (19-11/16")	770M5002107	770M5002170
22"	550 mm (21-5/8")	770M5502107	770M5502170
24"	600 mm (23-5/8")	770M6002107	770M6002170

Qty/box 1 pair

Front fixing brackets

Two required per drawer

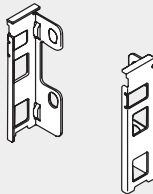


		Qty/box
Screw-On* [a]	ZF7M7002	1
EXPANDO [b]	ZF7M70E2	1

\*Use of #6 x 5/8" wood screw is recommended

Rear fixing bracket sets

(left and right)



Gray ZB7M000S107

Qty/box 1 pair

- 1 SCREWS AND FASTENERS
- 2 FURNITURE EQUIPMENT
- 3 HINGES
- 4 SLIDES
- 5 CASTERS AND LEGS
- 6 KITCHEN SOLUTIONS
- 7 CLOSET SOLUTIONS
- 8 LIGHTING SOLUTIONS
- 9 SINKS AND FAUCETS
- 10 OFFICE
- 11 SLIDING DOORS SYSTEMS
- 12 GLASS HARDWARE
- 13 PANELS AND SURFACES
- 14 EDGE-BANDING
- 15 CABINET DOORS AND DRAWERS
- 16 MOLDINGS, CORBELS AND WINE CELLARS
- 17 GLUES, SILICONES, CAULK AND INSULATING
- 18 TOOLS AND SECURITY
- 19 FINISHING PRODUCTS AND ABRASIVES
- 20 COMMERCIAL DISPLAY AND HARDWARE
- 21 BUILDERS HARDWARE

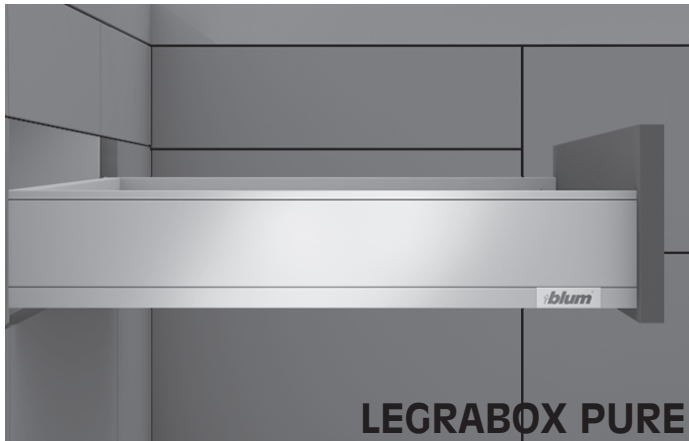
CCRM 2018

I Slides I  
**LEGRABOX**

Standard Drawer – M Height (90.5 mm (3-9/16"))

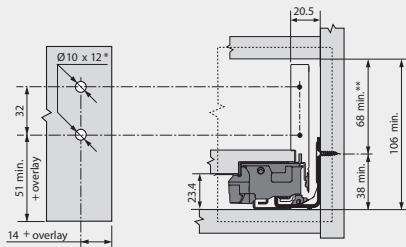
**Richelieu**  
**blum** Section 4A

All dimensions in millimeters (inch equivalents as shown)



**Space Requirements and Installation Specifications**

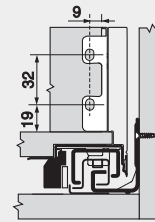
Front fixing bracket installation



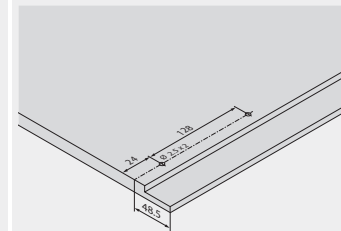
\* Pre-boring dimensions for EXPANDO only, for screw-on pre-bore  $\varnothing 2$  mm x 2.5 mm

\*\* Includes 2 mm tilt adjustment

Rear fixing bracket installation

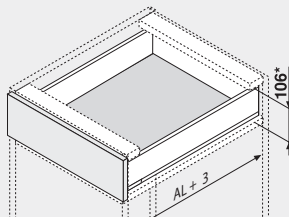


Bottom boring distance



Pre-bore dimension  $\varnothing 2.5$  mm x 2 mm

Space requirements

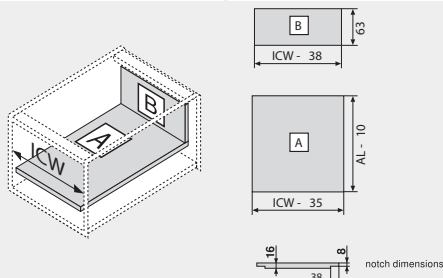


AL Actual cabinet profile length

\*Minimum opening height based on 3 mm (1/8") clearance

Cutting dimensions for bottom and back

Drawer bottom		Drawer back	
Width	ICW minus 35 mm (1-3/8")	Width	ICW minus 38 mm (1-1/2")
Length	AL minus 10 mm (3/8")	Height	63 mm (2-1/2")



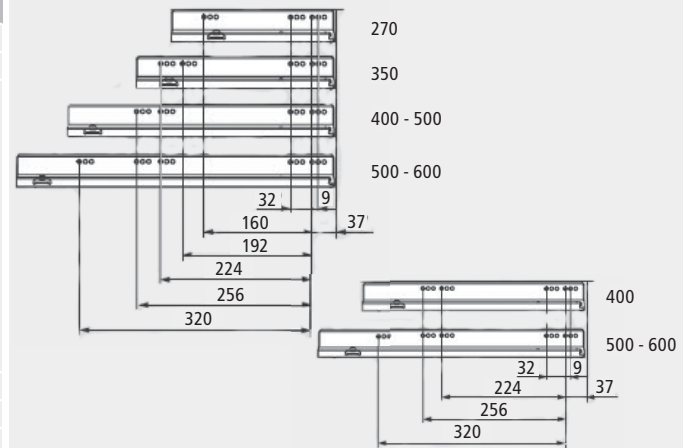
AL Actual cabinet profile length

ICW Inside cabinet width

NOTE: Use 16 mm (5/8") material for bottom and back

Cabinet profile screw positions

Nominal length NL (mm)



CCRM 2018

I slides I

# LEGRABOX

Interior Roll-Out - M Height (90.5 mm (3-9/16"))

# blum Richelieu Section 4A

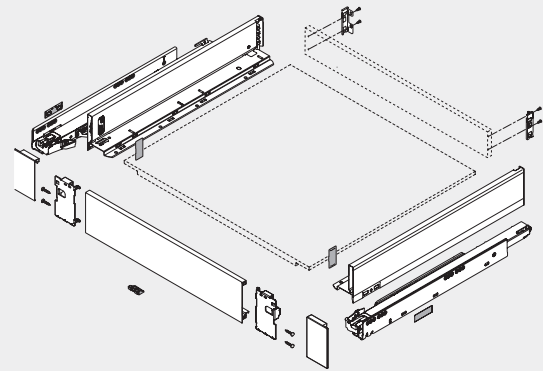
All dimensions in millimeters (inch equivalents as shown)



**LEGRABOX PURE**

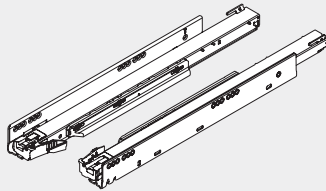
### Description

- Full extension drawer system with BLUMOTION
- Smooth running action
- Three-dimensional drawer front adjustment
- Dynamic load capacity min. of 40 kg
- Drawer profile height 90.5 mm (3-9/16")



### Component Specifications

Cabinet profiles sets (left and right)



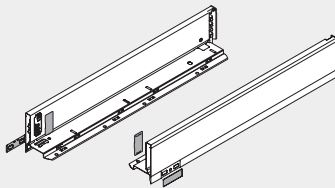
Nominal length	Actual cabinet profile length	40 kg	70 kg
11"	270 mm (10-5/8")	7502701B	-
14"	350 mm (13-3/4")	7503501B	-
16"	400 mm (15-3/4")	7504001B	-
18"	450 mm (17-11/16")	7504501B	7534501B
20"	500 mm (19-11/16")	7505001B	7535001B
22"	550 mm (21-5/8")	7505501B	7535501B
24"	600 mm (23-5/8")	-	7536001B

Qty/box 1 pair

\* Suitable for Servo-Drive

### Drawer profile sets (left and right)

Includes color coordinated cover caps

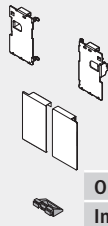


Nominal length	Actual cabinet profile length	Orion Gray	Inox
		770M2702107	770M2702170
14"	350 mm (13-3/4")	770M3502107	770M3502170
16"	400 mm (15-3/4")	770M4002107	770M4002170
18"	450 mm (17-11/16")	770M4502107	770M4502170
20"	500 mm (19-11/16")	770M5002107	770M5002170
22"	550 mm (21-5/8")	770M5502107	770M5502170
24"	600 mm (23-5/8")	770M6002107	770M6002170

Qty/box 1 pair

### Interior Front fixing brackets sets (left and right)

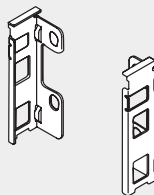
Includes bracket, cover caps, locking piece and screws



Orion Gray	Z170M107
Inox	Z170M170

Qty/box 1 pair

### Rear fixing bracket sets (left and right)

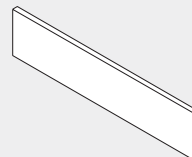


Gray	ZB7M000S107
------	-------------

Qty/box 1 pair

### Front piece

Length: 1043 mm (41-1/16"), cut to size



Gray	ZV71043C0107
Inox	ZV71043C0170

Qty/box 1 pair

CCRM 2018

- 1 SCREWS AND FASTENERS
- 2 FURNITURE EQUIPMENT
- 3 HINGES
- 4 SLIDES
- 5 CASTERS AND LEGS
- 6 KITCHEN SOLUTIONS
- 7 CLOSET SOLUTIONS
- 8 LIGHTING SOLUTIONS
- 9 SINKS AND FAUCETS
- 10 OFFICE
- 11 SLIDING DOORS SYSTEMS
- 12 GLASS HARDWARE
- 13 PANELS AND SURFACES
- 14 EDGE-BANDING
- 15 CABINET DOORS AND DRAWERS
- 16 MOLDINGS, CORBELS AND WINE CELLARS
- 17 GLUES, SILICONES, CAULK AND INSULATING
- 18 TOOLS AND SECURITY
- 19 FINISHING PRODUCTS AND ABRASIVES
- 20 COMMERCIAL DISPLAY AND HARDWARE
- 21 BUILDERS HARDWARE

| Slides |

# LEGRABOX

Interior Roll-Out - M Height (90.5 mm (3-9/16"))

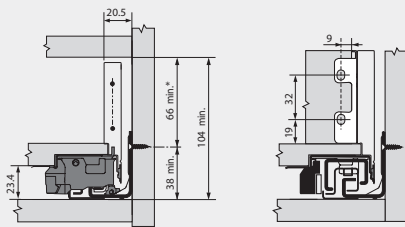
# Richelieu Section 4A

All dimensions in millimeters (inch equivalents as shown)



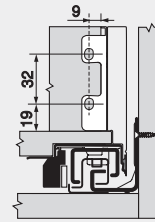
## Space Requirements and Installation Specifications

### Front fixing bracket installation

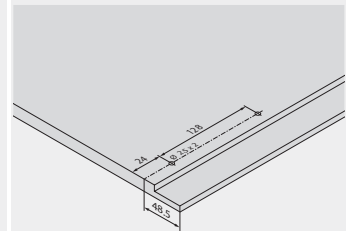


\*\* Includes 2 mm tilt adjustment

### Rear fixing bracket installation

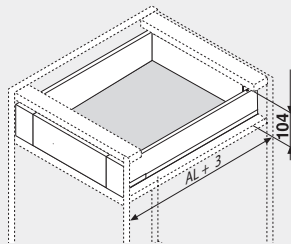


### Bottom boring distance



Pre-bore dimension  $\varnothing$  2.5 mm x 2 mm

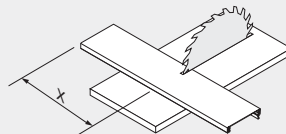
### Space requirements



AL Actual cabinet profile length

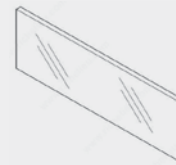
### Cutting front piece

Using a metal cutting blade, cut front piece to size.



X ICW minus 126 mm (5")

### Legrabox Design Element - Front



Material 70 mm

Glass **ZE7V1088G**

Qty/box **1 pair**

### Cutting dimensions for bottom and back

#### Drawer bottom

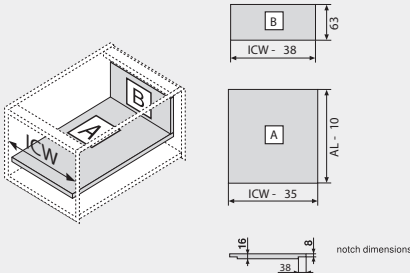
Width ICW minus 35 mm (1-3/8")

Length AL minus 10 mm (3/8")

#### Drawer back

Width ICW minus 38 mm (1-1/2")

Height 63 mm (2-1/2")



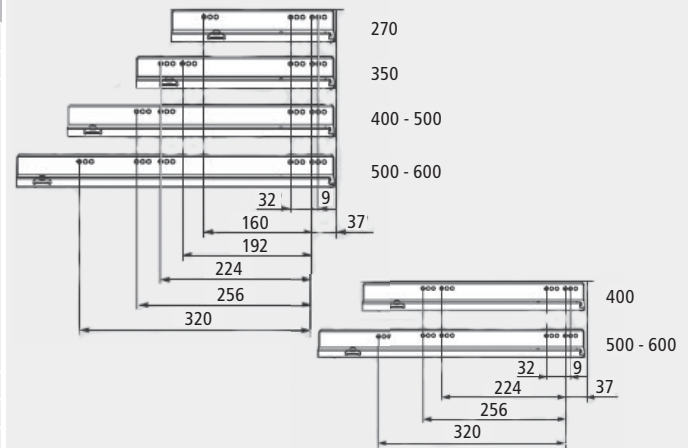
AL Actual cabinet profile length

ICW Inside cabinet width

NOTE: Use 16 mm (5/8") material for bottom and back

### Cabinet profile screw positions

Nominal length NL (mm)



CCRM 2018

I slides I

# LEGRABOX

Standard Drawer – C Height (117 mm (7"))

# Richelieu *blum* Section 4A

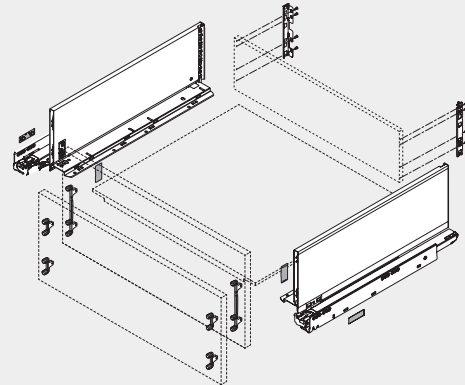
All dimensions in millimeters (inch equivalents as shown)



## LEGRABOX PURE

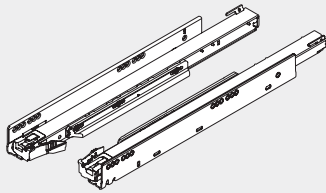
### Description

- Full extension drawer system with BLUMOTION
- Smooth running action
- Three-dimensional drawer front adjustment
- Dynamic load capacity min. of 40 kg
- Drawer profile height 117 mm (6-31/32")



### Component Specifications

Cabinet profiles sets (left and right)



Nominal length	Actual cabinet profile length	40 kg	70 kg
11"	270 mm (10-5/8")	7502701B	-
14"	350 mm (13-3/4")	7503501B	-
16"	400 mm (15-3/4")	7504001B	-
18"	450 mm (17-11/16")	7504501B	7534501B
20"	500 mm (19-11/16")	7505001B	7535001B
22"	550 mm (21-5/8")	7505501B	7535501B
24"	600 mm (23-5/8")	-	7536001B

\* Suitable for Servo-Drive

Qty/box 1 pair

### Legrabox Design Element - Front



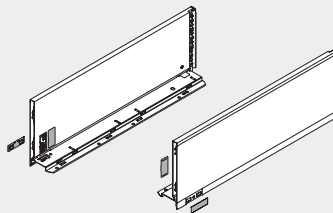
Finish

Nickel **ZB7C000180**

Qty/box pair

### Drawer profile sets (left and right)

Includes color coordinated cover caps

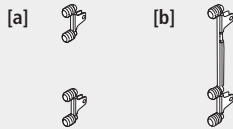


Nominal length	Actual cabinet profile length	Orion Gray	Inox
11"	270 mm (10-5/8")	770C2702107	770C2702170
14"	350 mm (13-3/4")	770C3502107	770C3502170
16"	400 mm (15-3/4")	770C4002107	770C4002170
18"	450 mm (17-11/16")	770C4502107	770C4502170
20"	500 mm (19-11/16")	770C5002107	770C5002170
22"	550 mm (21-5/8")	770C5502107	770C5502170
24"	600 mm (23-5/8")	770C6002107	770C6002170

Qty/box 1 pair

### Front fixing brackets

Four [a] or two [b] required per drawer

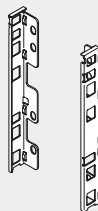


Qty/box

Screw-On* [a]	ZF7M7002	1
EXPANDO [a]	ZF7M70E2	1
Screw-On* [b]	ZF7C7002	1
EXPANDO [b]	ZF7C70E2	1

\*Use of #6 x 5/8" wood screw recommended

### Rear fixing bracket sets (left and right)



Orion Gray **ZB7C0005107**

Qty/box 1 pair

### Legrabox Front Section for Inner Drawer with Insert

Height	Length	Orion Gray	Stainless Steel
48 mm (1-29/32 in)	1 043 mm (41-1/16 in)	ZV71043MN107	-
48 mm (1-29/32 in)	1 043 mm (41-1/16 in)	-	ZV71043MN170

Qty/box 1 pair

### Cabinet Profiles Left / Right with Blumotion

Finish	Material	
Orion Gray	Steel	ZI72C107
Stainless Steel	Inox	ZI72C170

Qty/box 1 pair

1	SCREWS AND FASTENERS
2	FURNITURE EQUIPMENT
3	HINGES
4	SLIDES
5	CASTERS AND LEGS
6	KITCHEN SOLUTIONS
7	CLOSET SOLUTIONS
8	LIGHTING SOLUTIONS
9	SINKS AND FAUCETS
10	OFFICE
11	SLIDING DOORS SYSTEMS
12	GLASS HARDWARE
13	PANELS AND SURFACES
14	EDGE-BANDING
15	CABINET DOORS AND DRAWERS
16	MOLDINGS, CORBELS AND WINE CELLARS
17	GLUES, SILICONES, CAULK AND INSULATING
18	TOOLS AND SECURITY
19	FINISHING PRODUCTS AND ABRASIVES
20	COMMERCIAL DISPLAY AND HARDWARE
21	BUILDERS HARDWARE

I Slides I  
**LEGRABOX**

Standard Drawer – C Height (117 mm (7"))

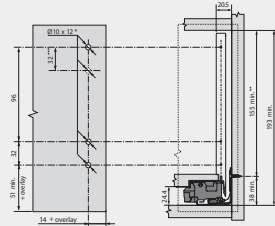
**Richelieu**  
**blum** Section 4A

All dimensions in millimeters (inch equivalents as shown)



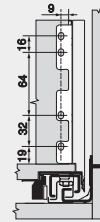
**Space Requirements and Installation Specifications**

Front fixing bracket installation

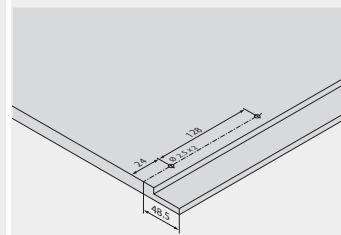


- \* Pre-boring dimensions for EXPANDO only, for screw-on pre-bore  $\varnothing 2$  mm x 2.5 mm
- \*\* Includes 2 mm tilt adjustment
- \*\*\* For use with two M brackets

Rear fixing bracket installation

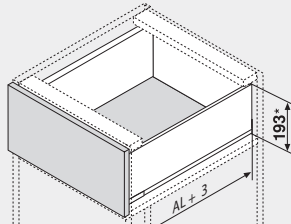


Bottom boring distance



Pre-bore dimension  $\varnothing 2.5$  mm x 2 mm

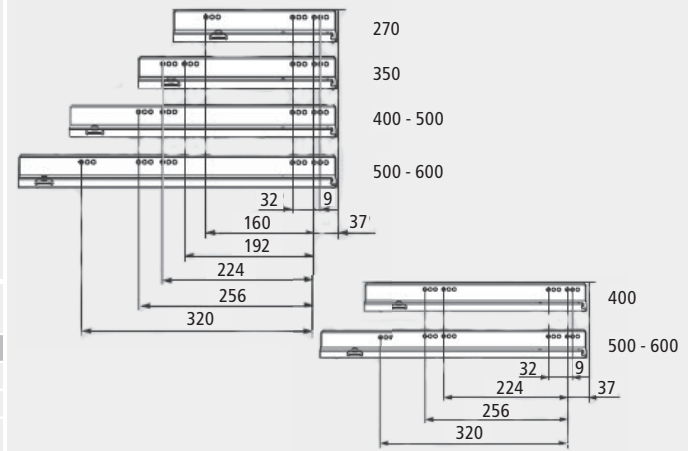
Space requirements



- AL Actual cabinet profile length
- \* Minimum opening height based on 3 mm (1/8") clearance

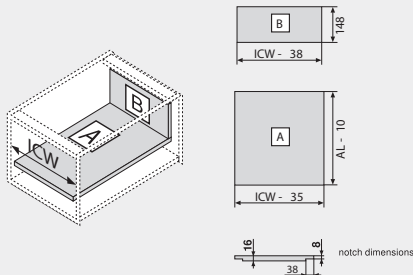
Cabinet profile screw positions

Nominal length NL (mm)



Cutting dimensions for bottom and back

Drawer bottom		Drawer back	
<b>Width</b>	ICW minus 35 mm (1-3/8")	<b>Width</b>	ICW minus 38 mm (1-1/2")
<b>Length</b>	AL minus 10 mm (3/8")	<b>Height</b>	148 mm (5-13/16")



- AL Actual cabinet profile length
- ICW Inside cabinet width
- NOTE: Use 16 mm (5/8") material for bottom and back

CCRM 2018

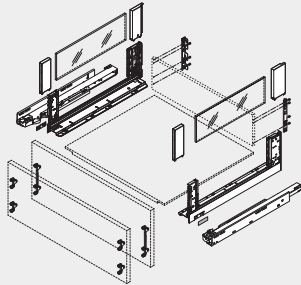


# Slides | LEGRABOX

Standard Drawer – C Height (117 mm (7"))

# Richelieu blum Section 4A

All dimensions in millimeters (inch equivalents as shown)



## Drawer Side Set Left / Right for LEGRABOX FREE

- Large side design element
- Slim drawer side 12.8 mm
- Straight interior and exterior
- Synchronised feather-light glide
- Steel drawer side and stainless steel
- Tool-free front assembly
- Three-dimensional front adjustment in the drawer side
- Includes integrated BLUMOTION for silent and effortless closing action, can be combined with SERVO-DRIVE
- Alternatively, with TIP-ON/TIP-ON BLUMOTION function for handle-less fronts

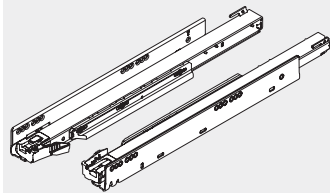
Length	Height	Orion Gray	Stainless Steel
600 mm (23-5/8")	177 mm (6-31/32")	-	780C6002170
550 mm (21-21/32")	177 mm (6-31/32")	-	780C5502170
550 mm (2-21/32")	177 mm (6-31/32")	780C5502107	-
500 mm (19-11/16")	177 mm (6-31/32")	780C5002107	-
450 mm (17-23/32")	177 mm (6-31/32")	-	780C4502170
450 mm (17-23/32")	177 mm (6-31/32")	780C4502107	-
400 mm (15-3/4")	177 mm (6-31/32")	-	780C4002170
350 mm (13-25/32")	177 mm (6-31/32")	780C3502107	-
650 mm (25-19/32")	177 mm (6-31/32")	-	780C6502170
650 mm (25-19/32")	177 mm (6-31/32")	780C6502107	-
600 mm (23-5/8")	177 mm (6-31/32")	780C6002107	-
500 mm (19-11/16")	177 mm (6-31/32")	-	780C5002170
400 mm (15-3/4")	177 mm (6-31/32")	780C4002107	-
350 mm (13-25/32")	177 mm (6-31/32")	-	780C3502170

- Included Product(s):**
- 1 Left/right drawer sides
  - 1 Customer branding
  - 2 BOXCOVER front
  - 2 BOXCOVER back

Qty/box    Pair

## Component Specifications

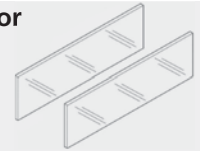
Cabinet profiles sets (left and right)



Nominal length	Actual cabinet profile length	40 kg	70 kg
11"	270 mm (10-5/8")	7502701B	-
14"	350 mm (13-3/4")	7503501B	-
16"	400 mm (15-3/4")	7504001B	-
18"	450 mm (17-11/16")	7504501B	7534501B
20"	500 mm (19-11/16")	7505001B	7535001B
22"	550 mm (21-5/8")	7505501B	7535501B
24"	600 mm (23-5/8")	-	7536001B

Qty/box    1 pair

## Clear Glass Inserts for LEGRABOX FREE

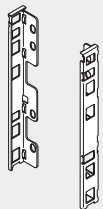


Length	
650 mm (25-19/32")	ZE7S538G11
600 mm (23-5/8")	ZE7S488G11
500 mm (19-11/16")	ZE7S388G11
450 mm (17-23/32")	ZE7S338G11
400 mm (15-3/4")	ZE7S288G11
350 mm (13-25/32")	ZE7S238G11
550 mm (21-21/32")	ZE7S438G11

Qty/box    1

\* Suitable for Servo-Drive

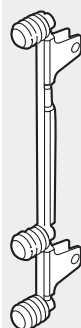
## Rear fixing bracket sets (left and right)



Orion Gray    ZB7C000S107

Qty/box    1 pair

## Front fixing brackets



Screw-on    ZF7C7002  
EXPANDO    ZF7C70E2

Qty/box    1 pair

## Front fixing brackets

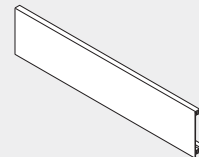


Screw-on    ZF7M7002  
EXPANDO    ZF7M70E2

Qty/box    4

## Front piece

Length: 1043 mm (41-1/16"), cut to size



Orion Gray    ZV71043C0107  
Nickel    ZV71043C0170

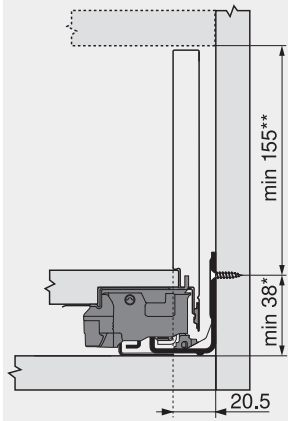
Qty/box    1 pair

- 1 SCREWS AND FASTENERS
- 2 FURNITURE EQUIPMENT
- 3 HINGES
- 4 SLIDES
- 5 CASTERS AND LEGS
- 6 KITCHEN SOLUTIONS
- 7 CLOSET SOLUTIONS
- 8 LIGHTING SOLUTIONS
- 9 SINKS AND FAUCETS
- 10 OFFICE
- 11 SLIDING DOORS SYSTEMS
- 12 GLASS HARDWARE
- 13 PANELS AND SURFACES
- 14 EDGE-BANDING
- 15 CABINET DOORS AND DRAWERS
- 16 MOLDINGS, CORBELS AND WINE CELLARS
- 17 GLUES, SILICONES, CAULK AND INSULATING
- 18 TOOLS AND SECURITY
- 19 FINISHING PRODUCTS AND ABRASIVES
- 20 COMMERCIAL DISPLAY AND HARDWARE
- 21 BUILDERS HARDWARE

## LEGRABOX FREE

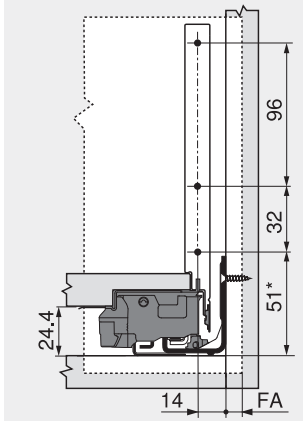
### Planning

Space requirement in cabinet



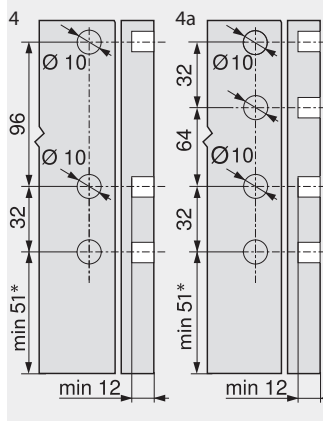
- \* +1 mm if cabinet profile is installed before the cabinet is assembled
- \*\* Incl. 2 mm tilt adjustment

Installation dimensions – front – Screw-On



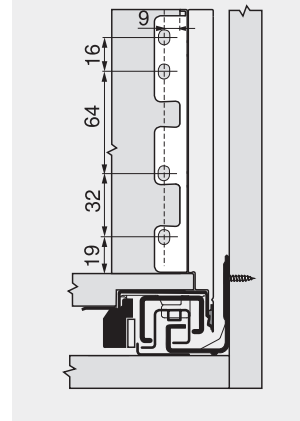
- FA Front overlay
- \* +1 mm if cabinet profile is installed before the cabinet is assembled

Drilling distances – front – EXPANDO front

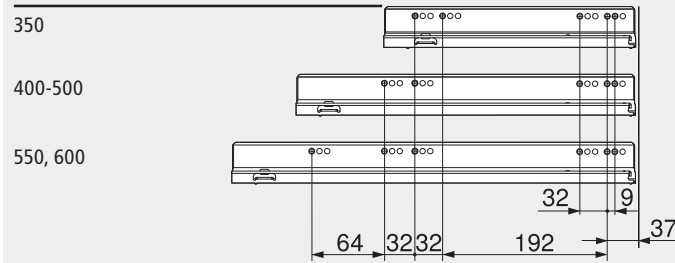


- \* +1 mm if cabinet profile is installed before the cabinet is assembled

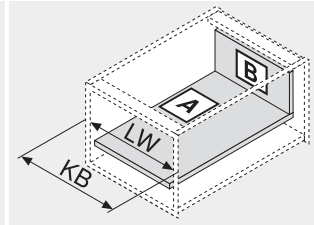
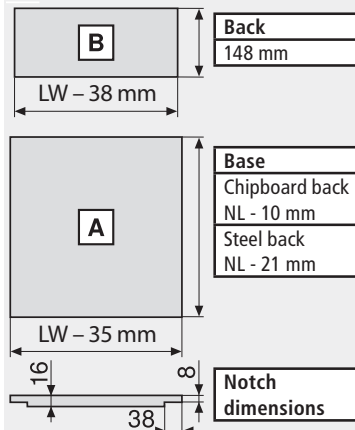
Installation dimensions – back



Screw position – cabinet profiles  
Cabinet profile 750 – 40 kg  
Nominal length NL (mm)

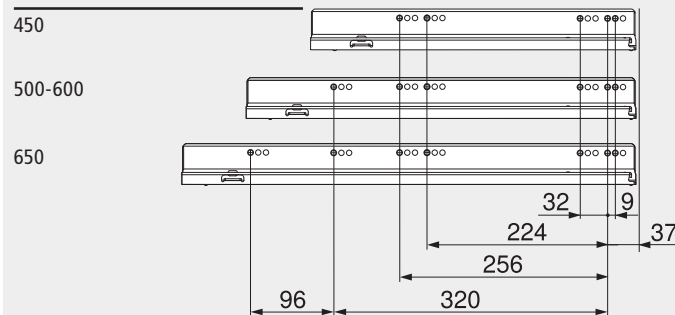


Cutting – 16 mm chipboard

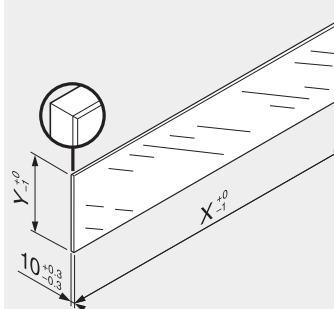


- KB Cabinet width
- LW Inner cabinet width
- NL Nominal length

Cabinet profile 753 – 70 kg  
Nominal length NL (mm)



Cutting – design element



Design element	X (mm)	Y (mm)
Side	NL - 112	138
NL	NL Nominal length	

The given dimensions in combination with LEGRABOX/TANDEMBOX do not require "impact testing for vertically installed glass parts" as per the DIN EN 14749 norm Nov.2005. For norm compliance no safety glass is required. The edge is a polished flat-ended edge with a 1 mm ±0.5 mm bevel.

Internal cabinet depth LT min. = nominal length NL + 3 mm

# Slides | LEGRABOX

Interior Roll-Out - C Height (117 mm (7"))

# Richelieu blum Section 4A

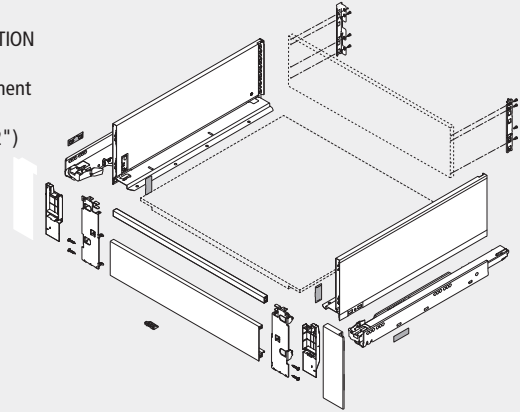
All dimensions in millimeters (inch equivalents as shown)



## LEGRABOX PURE

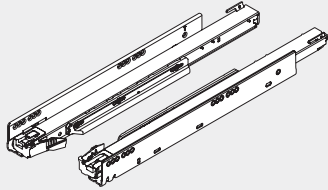
### Description

- Full extension drawer system with BLUMOTION
- Smooth running action
- Three-dimensional drawer front adjustment
- Dynamic load capacity min. of 40 kg
- Drawer profile height 117 mm (6-31/32")



### Component Specifications

Cabinet profiles sets (left and right)

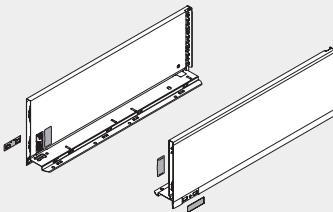


Nominal length	Actual cabinet profile length	40 kg	70 kg
11"	270 mm (10-5/8")	7502701B	-
14"	350 mm (13-3/4")	7503501B	-
16"	400 mm (15-3/4")	7504001B	-
18"	450 mm (17-11/16")	7504501B	7534501B
20"	500 mm (19-11/16")	7505001B	7535001B
22"	550 mm (21-5/8")	7505501B	7535501B
24"	600 mm (23-5/8")	-	7536001B

\* Suitable for Servo-Drive

Drawer profile sets (left and right)

Includes color coordinated cover caps



Nominal length	Actual cabinet profile length	Orion Gray	Inox
11"	270 mm (10-5/8")	770C2702107	770C2702170
14"	350 mm (13-3/4")	770C3502107	770C3502170
16"	400 mm (15-3/4")	770C4002107	770C4002170
18"	450 mm (17-11/16")	770C4502107	770C4502170
20"	500 mm (19-11/16")	770C5002107	770C5002170
22"	550 mm (21-5/8")	770C5502107	770C5502170
24"	600 mm (23-5/8")	770C6002107	770C6002170

Interior Front fixing brackets sets (left and right)

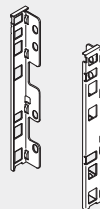
Includes bracket, outer and inner cover caps, locking piece and screws



Orion Gray **ZI73C107**  
Inox **ZI73C170**

Qty/box **1 pair**

Rear fixing bracket sets (left and right)

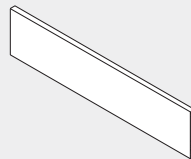


Orion Gray **ZB7C0005107**

Qty/box **1 pair**

Front piece

Length: 1043 mm (41-1/16"), cut to size

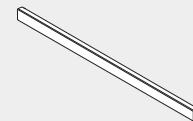


Orion Gray **ZV71043C0107**  
Nickel **ZV71043C0170**

Qty/box **1 pair**

Cross rail

Length: 1080 mm (42-1/2"), cut to size



Orion Gray **ZR71080107**  
Nickel **ZR71080170**

Qty/box **1 pair**

- 1 SCREWS AND FASTENERS
- 2 FURNITURE EQUIPMENT
- 3 HINGES
- 4 SLIDES
- 5 CASTERS AND LEGS
- 6 KITCHEN SOLUTIONS
- 7 CLOSET SOLUTIONS
- 8 LIGHTING SOLUTIONS
- 9 SINKS AND FAUCETS
- 10 OFFICE
- 11 SLIDING DOORS SYSTEMS
- 12 GLASS HARDWARE
- 13 PANELS AND SURFACES
- 14 EDGE-BANDING
- 15 CABINET DOORS AND DRAWERS
- 16 MOLDINGS, CORBELS AND WINE CELLARS
- 17 GLUES, SILICONES, CAULK AND INSULATING
- 18 TOOLS AND SECURITY
- 19 FINISHING PRODUCTS AND ABRASIVES
- 20 COMMERCIAL DISPLAY AND HARDWARE
- 21 BUILDERS HARDWARE

I Slides I  
**LEGRABOX**

Interior Roll-Out - C Height (117 mm (7"))

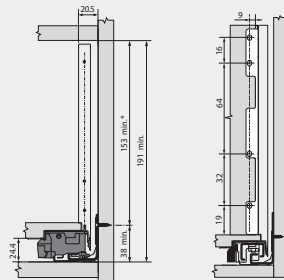
**Richelieu**  
**blum** Section 4A

All dimensions in millimeters (inch equivalents as shown)



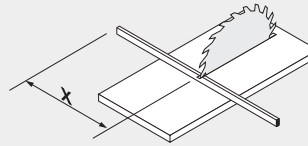
**Space Requirements and Installation Specifications**

Front fixing bracket installation



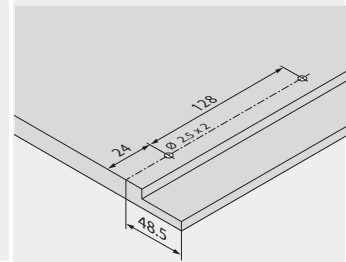
\*\* Includes 2 mm tilt adjustment

Cutting cross rail  
Using a metal cutting blade, cut cross rail to size.



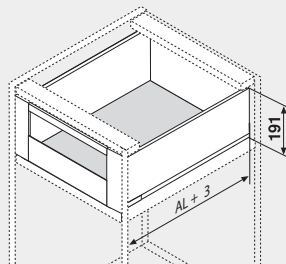
X ICW minus 90 mm (3-1/2")

Bottom boring distance



Pre-bore dimension  $\varnothing$  2.5 mm x 2 mm

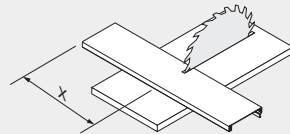
Space requirements



AL Actual cabinet profile length

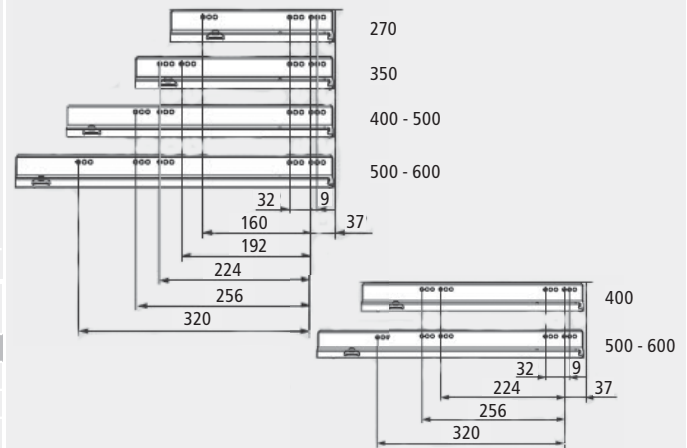
Cutting front piece

Using a metal cutting blade, cut front piece to size.



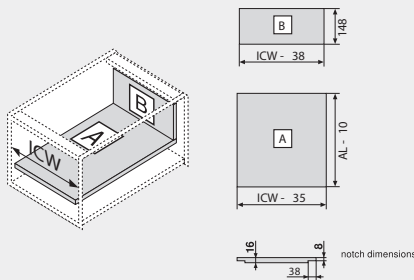
X ICW minus 126 mm (5")

Cabinet profile screw positions  
Nominal length NL (mm)



Cutting dimensions for bottom and back

Drawer bottom		Drawer back	
Width	ICW minus 35 mm (1-3/8")	Width	ICW minus 38 mm (1-1/2")
Length	AL minus 10 mm (3/8")	Height	148 mm (5-13/16")



AL Actual cabinet profile length  
ICW Inside cabinet width

NOTE: Use 16 mm (5/8") material for bottom and back

CCRM 2018

# Slides | LEGRABOX

Interior Roll-Out - C Height (117 mm (7"))

# Richelieu blum Section 4A

All dimensions in millimeters (inch equivalents as shown)

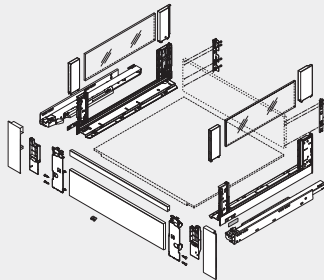


## LEGRABOX FREE

### Drawer Side Set Left / Right for LEGRABOX FREE

- Large side design element
- Inner pull-out with gallery
- Slim drawer side 12.8 mm
- Straight interior and exterior
- Synchronised feather-light glide
- Steel drawer side and stainless steel
- Tool-free front assembly
- Three-dimensional front adjustment in the drawer side
- Includes integrated BLUMOTION for silent and effortless closing action, can be combined with SERVO-DRIVE
- Alternatively, with TIP-ON/
- TIP-ON BLUMOTION function for handle-less fronts

Length	Height	Orion Gray	Stainless Steel
350 mm (13-25/32")	177 mm (6-31/32")	780C3502S	780C3502I
400 mm (15-3/4")	177 mm (6-31/32")	780C4002S	780C4002I
450 mm (17-23/32")	177 mm (6-31/32")	780C4502S	780C4502I
500 mm (19-11/16")	177 mm (6-31/32")	780C5002S	780C5002I
550 mm (21-21/32")	177 mm (6-31/32")	780C5502S	780C5502I
600 mm (23-5/8")	177 mm (6-31/32")	780C6002S	780C6002I
650 mm (25-19/32")	177 mm (6-31/32")	780C6502S	780C6502I



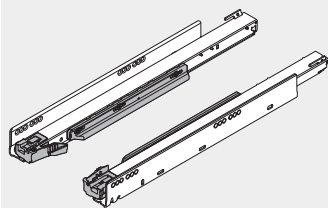
#### Included Product(s):

- 1 Left/right drawer sides
- 2 Customer branding
- 2 BOXCOVER front
- 2 BOXCOVER back

Qty/box    Pair

### Component Specifications

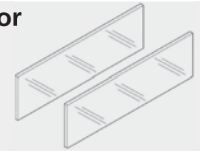
Cabinet profiles sets (left and right)



Nominal length	Actual cabinet profile length	40 kg	70 kg
14"	350 mm (13-3/4")	750.3501B	-
16"	400 mm (15-3/4")	750.4001B	-
18"	450 mm (17-11/16")	750.4501B	753.4501B
20"	500 mm (19-11/16")	750.5001B	753.5001B
22"	550 mm (21-5/8")	750.5501B	753.5501B
24"	600 mm (23-5/8")	750.6001B	753.6001B
26"	650 mm (25 9/16")	-	753.6501B

Qty/box    1 pair

### Clear Glass Inserts for LEGRABOX FREE



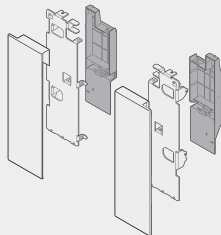
Length	
650 mm (25-19/32")	ZE7S538G11
600 mm (23-5/8")	ZE7S488G11
500 mm (19-11/16")	ZE7S388G11
450 mm (17-23/32")	ZE7S338G11
400 mm (15-3/4")	ZE7S288G11
350 mm (13-25/32")	ZE7S238G11
550 mm (21-21/32")	ZE7S438G11

Qty/box    1

### Front piece set

#### Included Product(s):

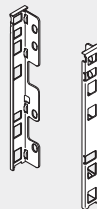
- 1 Front fixing left/right
- 1 Outer cover cap left/right
- 1 Interior cover cap left/right
- 1 Locking piece
- 4 Screws



Orion Gray	ZI7.3CS0
Stainless Steel	ZI7.3CI0

Qty/box    1 pair

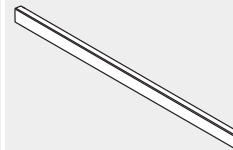
### Rear fixing bracket sets (left and right)



Orion Gray    ZB7C0005107

Qty/box    1 pair

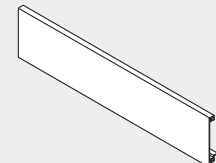
### Cross rail Length: 1080 mm (42-1/2"), cut to size



Orion Gray    ZR71080107  
Nickel        ZR71080170

Qty/box    1 pair

### Front piece Length: 1043 mm (41-1/16"), cut to size



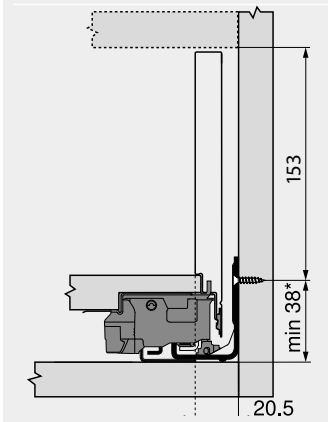
Orion Gray    ZV71043C0107  
Nickel        ZV71043C0170

Qty/box    1 pair

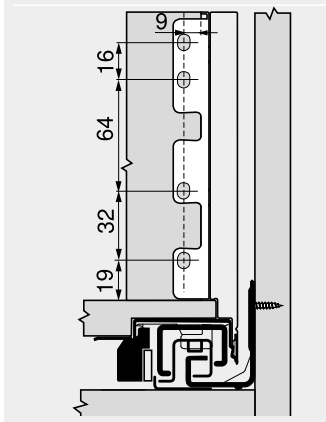
## LEGRABOX FREE

### Planning

Space requirement in cabinet



Installation dimensions – back

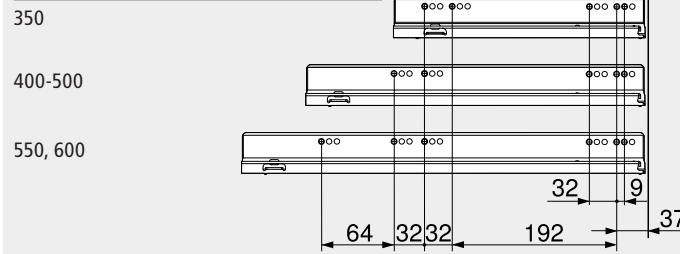


\* +1 mm if cabinet profile is installed before the cabinet is assembled

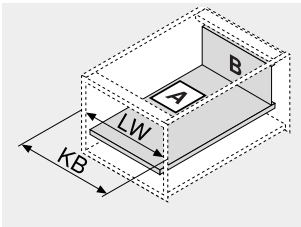
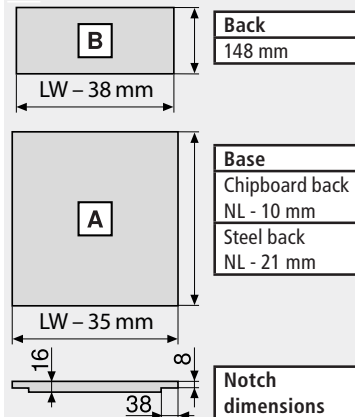
Screw position – cabinet profiles

Cabinet profile 750 – 40 kg

Nominal length NL (mm)



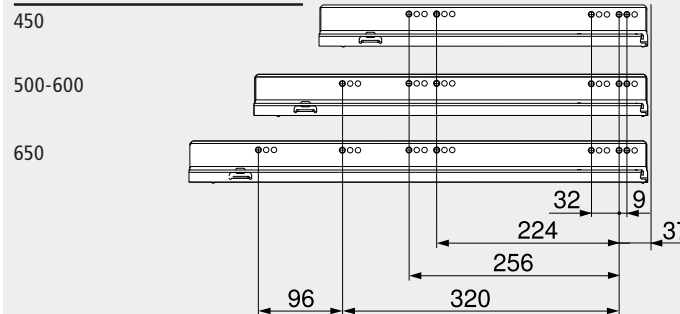
Cutting – 16 mm chipboard



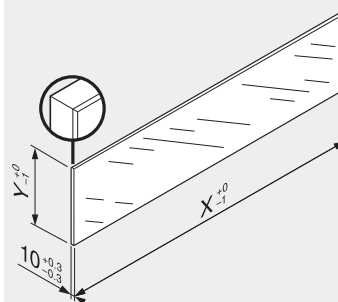
KB Cabinet width  
LW Inner cabinet width  
NL Nominal length

Cabinet profile 753 – 70 kg

Nominal length NL (mm)



Cutting – design element



Design element	X (mm)	Y (mm)
Side	NL - 112	138
NL	NL Nominal length	

The given dimensions in combination with LEGRABOX/TANDEMBOX do not require "impact testing for vertically installed glass parts" as per the DIN EN 14749 norm Nov.2005. For norm compliance no safety glass is required. The edge is a polished flat-ended edge with a 1 mm ±0.5 mm bevel.

Internal cabinet depth LT min. = nominal length NL + 3 mm

# Slides | LEGRABOX

## Interior Roll-Out - C Height (117 mm (7")) - 1/2 Height Insert

# Richelieu blum Section 4A

All dimensions in millimeters (inch equivalents as shown)

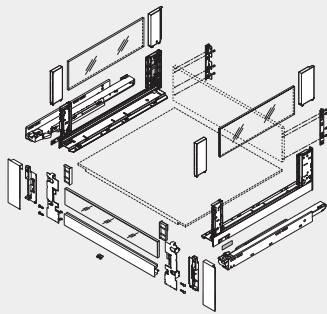


**LEGRABOX FREE**

### Drawer Side Set Left / Right for LEGRABOX FREE

- Large side design element
- Inner pull-out with a high or low design element
- Slim drawer side 12.8 mm
- Straight interior and exterior
- Synchronised feather-light glide
- Steel drawer side and stainless steel
- Tool-free front assembly
- Three-dimensional front adjustment in the drawer side
- Includes integrated BLUMOTION for silent and effortless closing action, can be combined with SERVO-DRIVE
- Alternatively, with TIP-ON/
- TIP-ON BLUMOTION function for handle-less fronts

Length	Height	Orion Gray	Stainless Steel
350 mm (13-25/32")	177 mm (6-31/32")	780C3502S	780C3502I
400 mm (15-3/4")	177 mm (6-31/32")	780C4002S	780C4002I
450 mm (17-23/32")	177 mm (6-31/32")	780C4502S	780C4502I
500 mm (19-11/16")	177 mm (6-31/32")	780C5002S	780C5002I
550 mm (21-21/32")	177 mm (6-31/32")	780C5502S	780C5502I
600 mm (23-5/8")	177 mm (6-31/32")	780C6002S	780C6002I
650 mm (25-19/32")	177 mm (6-31/32")	780C6502S	780C6502I



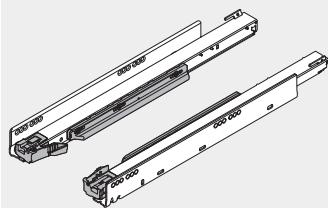
#### Included Product(s):

- 1 Left/right drawer sides
- 2 Customer branding
- 2 BOXCOVER front
- 2 BOXCOVER back

Qty/box    Pair

### Component Specifications

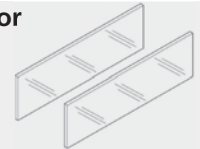
#### Cabinet profiles sets (left and right)



Nominal length	Actual cabinet profile length	40 kg	70 kg
14"	350 mm (13-3/4")	750.3501B	-
16"	400 mm (15-3/4")	750.4001B	-
18"	450 mm (17-11/16")	750.4501B	753.4501B
20"	500 mm (19-11/16")	750.5001B	753.5001B
22"	550 mm (21-5/8")	750.5501B	753.5501B
24"	600 mm (23-5/8")	750.6001B	753.6001B
26"	650 mm (25 9/16")	-	753.6501B

Qty/box    1 pair

#### Clear Glass Inserts for LEGRABOX FREE



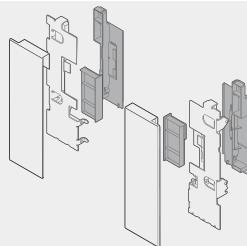
Length	
650 mm (25-19/32")	ZE7S538G11
600 mm (23-5/8")	ZE7S488G11
500 mm (19-11/16")	ZE7S388G11
450 mm (17-23/32")	ZE7S338G11
400 mm (15-3/4")	ZE7S288G11
350 mm (13-25/32")	ZE7S238G11
550 mm (21-21/32")	ZE7S438G11

Qty/box    1

#### Front piece set

##### Included Product(s):

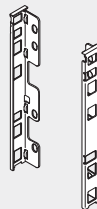
- Front fixing left/right
- 1 Outer cover cap left/right
- 1 Interior cover cap left/right
- 1 Adapter piece for low design element left
- 1 x Locking piece
- 4 Screws



Orion Gray	ZI7.2CS0
Stainless Steel	ZI7.2CI0

Qty/box    1 pair

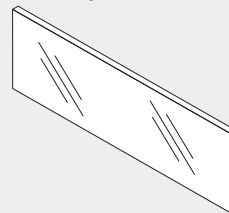
#### Rear fixing bracket sets (left and right)



Orion Gray    ZB7C000S107

Qty/box    1 pair

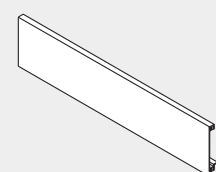
#### Glass design element (for inner pull-out front)



Low	ZE7VxxxxG
High	ZE7WxxxxG

Qty/box    1

#### Front piece Length: 1043 mm (41-1/16"), cut to size



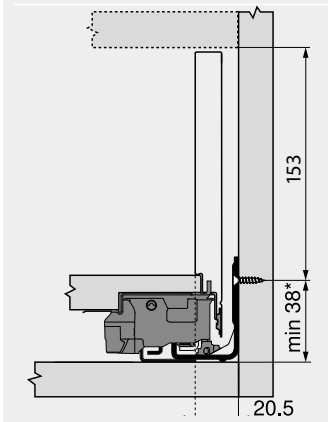
Orion Gray	ZV71043C0107
Nickel	ZV71043C0170

Qty/box    1 pair

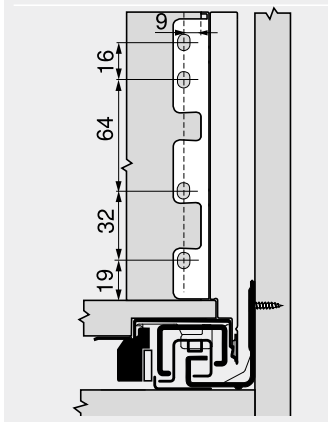
### LEGRABOX FREE

#### Planning

Space requirement in cabinet

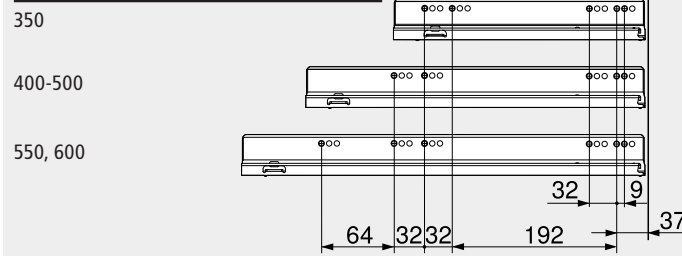


Installation dimensions - back

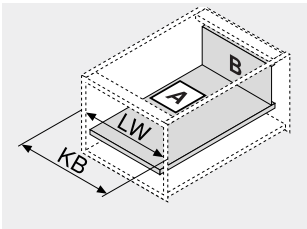
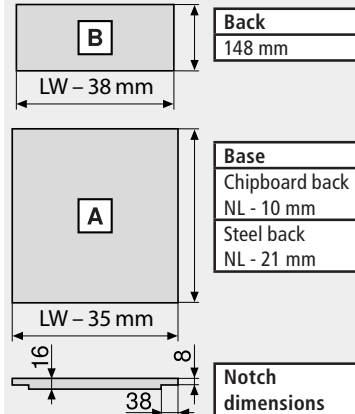


\* +1 mm if cabinet profile is installed before the cabinet is assembled

Screw position - cabinet profiles  
Cabinet profile 750 - 40 kg  
Nominal length NL (mm)

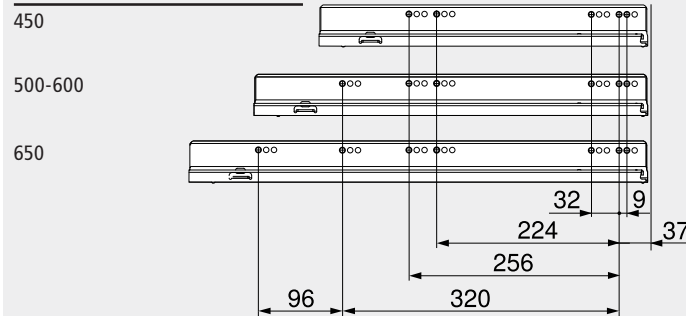


Cutting - 16 mm chipboard

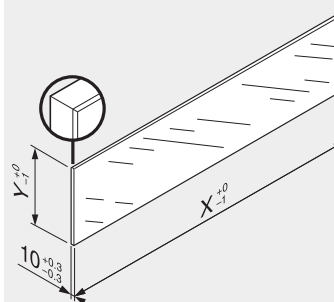


KB Cabinet width  
LW Inner cabinet width  
NL Nominal length

Cabinet profile 753 - 70 kg  
Nominal length NL (mm)



Cutting - design element



Design element	X (mm)	Y (mm)
Side	NL - 112	138
NL	NL Nominal length	

The given dimensions in combination with LEGRABOX/TANDEMBOX do not require "impact testing for vertically installed glass parts" as per the DIN EN 14749 norm Nov.2005. For norm compliance no safety glass is required. The edge is a polished flat-ended edge with a 1 mm ±0.5 mm bevel.

Internal cabinet depth LT min. = nominal length NL + 3 mm



I Slides I

# LEGRABOX

Standard Drawer – F Height (241 mm (9-1/2"))

# Richelieu *blum* Section 4A

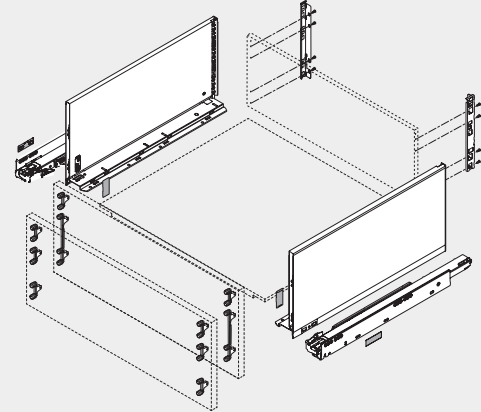
All dimensions in millimeters (inch equivalents as shown)



## LEGRABOX PURE

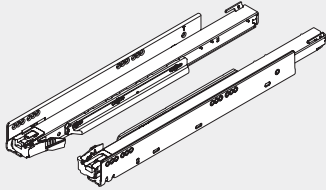
### Description

- Full extension drawer system with BLUMOTION
- Smooth running action
- Three-dimensional drawer front adjustment
- Dynamic load capacity min. of 40 kg
- Drawer profile height 241 mm (9-1/2")



### Component Specifications

Cabinet profiles sets (left and right)

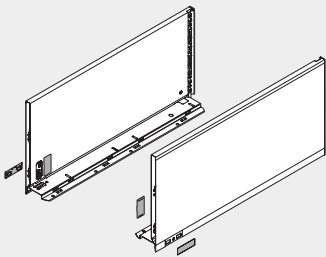


Nominal length	Actual cabinet profile length	40 kg	70 kg
18"	450 mm (17-11/16")	7504501B	7534501B
20"	500 mm (19-11/16")	7505001B	7535001B
22"	550 mm (21-5/8")	7505501B	7535501B

\* Suitable for Servo-Drive

Qty/box 1 pair

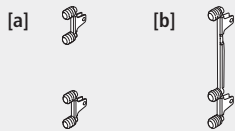
Drawer profile sets (left and right)  
Includes color coordinated cover caps



Nominal length	Actual cabinet profile length	Orion Gray	Inox
18"	450 mm (17-11/16")	770F4502107	770F4502170
20"	500 mm (19-11/16")	770F5002107	770F5002170
22"	550 mm (21-5/8")	770F5502107	770F5502170

Qty/box 1 pair

Front fixing brackets  
Four [a] or two [b] required per drawer

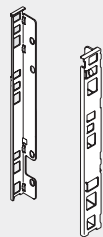


Qty/box

Screw-On* [a]	ZF7M7002	1
EXPANDO [a]	ZF7M70E2	1
Screw-On* [b]	ZF7C7002	1
EXPANDO [b]	ZF7C70E2	1

\*Use of #6 x 5/8" wood screw recommended

Rear fixing bracket sets  
(left and right)



Orion Gray ZB7F000S107

Qty/box 1 pair

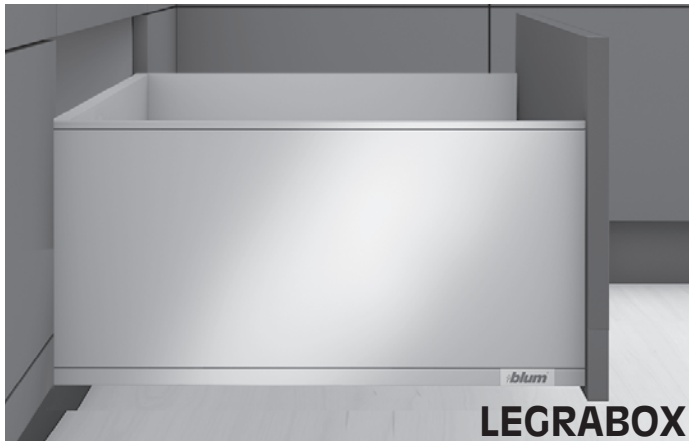
- 1 SCREWS AND FASTENERS
- 2 FURNITURE EQUIPMENT
- 3 HINGES
- 4 SLIDES
- 5 CASTERS AND LEGS
- 6 KITCHEN SOLUTIONS
- 7 CLOSET SOLUTIONS
- 8 LIGHTING SOLUTIONS
- 9 SINKS AND FAUCETS
- 10 OFFICE
- 11 SLIDING DOORS SYSTEMS
- 12 GLASS HARDWARE
- 13 PANELS AND SURFACES
- 14 EDGE-BANDING
- 15 CABINET DOORS AND DRAWERS
- 16 MOLDINGS, CORBELS AND WINE CELLARS
- 17 GLUES, SILICONES, CAULK AND INSULATING
- 18 TOOLS AND SECURITY
- 19 FINISHING PRODUCTS AND ABRASIVES
- 20 COMMERCIAL DISPLAY AND HARDWARE
- 21 BUILDERS HARDWARE

# I Slides I LEGRABOX

Standard Drawer – F Height (241 mm (9-1/2"))



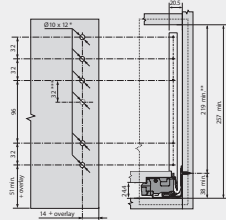
All dimensions in millimeters (inch equivalents as shown)



**LEGRABOX**

## Space Requirements and Installation Specifications

### Front fixing bracket installation

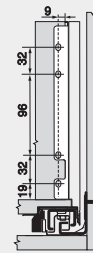


\* Pre-boring dimensions for EXPANDO only, for screw-on pre-bore  $\text{Ø}2 \text{ mm} \times 2.5 \text{ mm}$

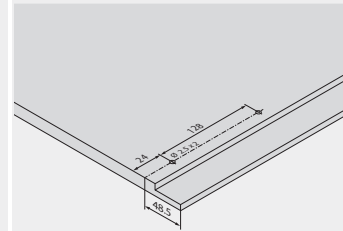
\*\* Includes 2 mm tilt adjustment

\*\*\* For use with three M brackets

### Rear fixing bracket installation

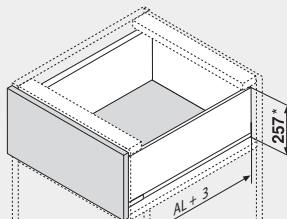


### Bottom boring distance



Pre-bore dimension  $\text{Ø} 2.5 \text{ mm} \times 2 \text{ mm}$

### Space requirements

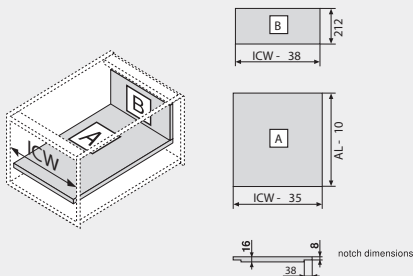


AL Actual cabinet profile length

\*Minimum opening height based on 3 mm (1/8") clearance

### Cutting dimensions for bottom and back

Drawer bottom		Drawer back	
Width	ICW minus 35 mm (1-3/8")	Width	ICW minus 38 mm (1-1/2")
Length	AL minus 10 mm (3/8")	Height	212 mm (8-5/16")



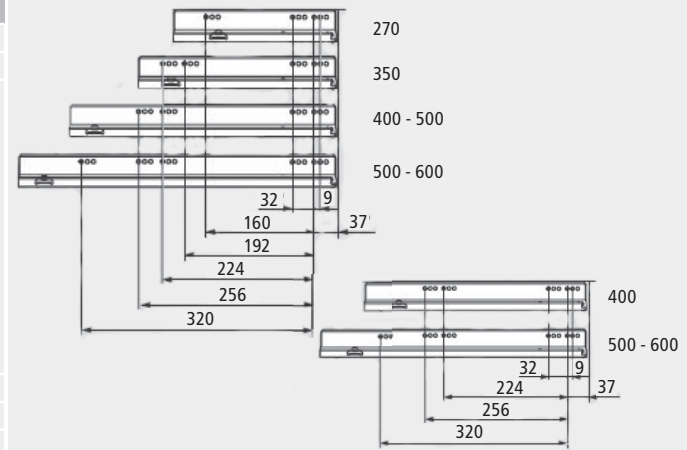
AL Actual cabinet profile length

ICW Inside cabinet width

NOTE: Use 16 mm (5/8") material for bottom and back

### Cabinet profile screw positions

Nominal length NL (mm)



CCRM 2018

# I slides I

## LEGRABOX

### Ambia-Line

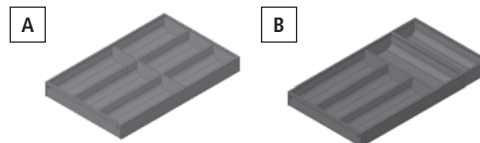
# Richelieu

## blum Section 4A

All dimensions in millimeters (inch equivalents as shown)

### Cutlery insert for LEGRABOX drawer

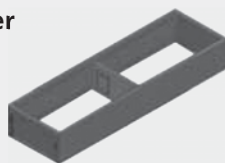
- Steel frame
- For M and D Height drawers
- Coated with a soft touch, noise-dampening material
- Use a damp cloth to clean all AMBIA-LINE products



Length	Width	Height	Compartments	Orion Gray
[A] 500 mm (20")	300 mm (12")	50 mm (2")	6	ZC7S500BS3107
[B] 550 mm (22")	300 mm (12")	50 mm (2")	5	ZC7S550BS3107
Qty/box				1

### Narrow frame for LEGRABOX drawer

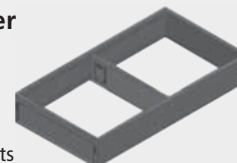
- Includes adjustable cross divider (1)
- Steel frame
- For M and D Height drawers
- Use a damp cloth to clean all AMBIA-LINE products



Length	Width	Height	Orion Gray
500 mm (20")	100 mm (4")	51 mm (2")	ZC7S500RS1107
550 mm (22")	100 mm (4")	51 mm (2")	ZC7S550RS1107
Qty/box			1

### Large frame for LEGRABOX drawer

- Includes adjustable cross divider (1)
- Steel frame
- For M and D Height drawers
- Use a damp cloth to clean all AMBIA-LINE products



Length	Width	Height	Orion Gray
500 mm (20")	200 mm (8")	51 mm (2")	ZC7S500RS2107
550 mm (22")	200 mm (8")	51 mm (2")	ZC7S550RS2107
Qty/box			1

### Cross divider for LEGRABOX drawer

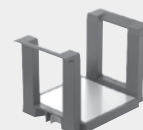
- Use a damp cloth to clean all AMBIA-LINE products



Length	Width	Height	Orion Gray
88 mm (3-1/2")	100 mm (4")	45 mm (1-3/16")	ZC7Q010SS107
188 mm (7-3/8")	200 mm (8")	45 mm (1-3/16")	ZC7Q020SS107
Qty/box			1

### Plate holder for LEGRABOX drawer

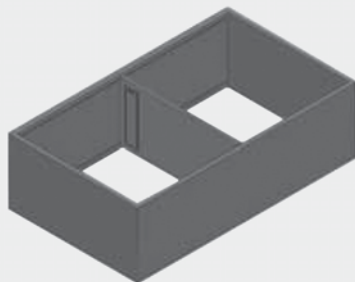
- Securely stores plates in high drawers
- Holds up to 12 plates
- Can adjust to hold plates 186 - 322 mm in diameter
- Suitable for round or square plates
- Designed for LEGRABOX and TANDEMBOX



Height	Orion Gray
170 (6-11/16")	ZC7T0350107
Qty/box	
1	

### Frame for deep drawer

- Includes adjustable cross divider (1)
- Steel frame
- For C, F and D Height drawers
- Magnetic back
- Non-slip rubber feet
- Use a damp cloth to clean all AMBIA-LINE products

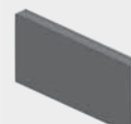


NOTE: Order steel adapter plate separately

Length	Width	Height	Orion Gray
370 mm (14-9/16")	218 mm (8-9/16")	111 mm (4-3/8")	ZC7F400RSP107
Qty/box			1

### Wooden back adapter for C Height LEGRABOX drawer

- Steel
- Use a damp cloth to clean all AMBIA-LINE products



Length	Height	Orion Gray
218 (8-9/16")	148 (5-13/16")	ZC7A0P0C107
Qty/box		1

### Individual cross divider

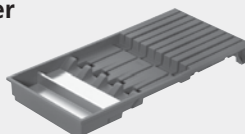
- Use a damp cloth to clean all AMBIA-LINE products



Length	Height	Orion Gray
206 mm (8-1/8")	100 mm (3-15/16")	ZC7Q0P0FS107
Qty/box		1

### Knife holder for LEGRABOX drawer

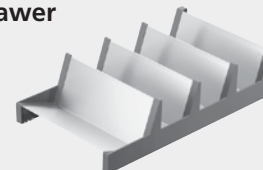
- For 9 knives
- For M Height drawer
- Nominal length from 500 mm and greater



Length	Width	Height	Orion Gray
409 (16-3/32")	187 (7-3/8")	43 (1-11/16")	ZC7M0200107
Qty/box			1

### Spice rack for LEGRABOX drawer

- Non-slip bottom
- High quality nylon and stainless steel
- Use with deep drawer insert



Length	Width	Height	Orion Gray
356 (14")	200 (7-7/8")	84 (3-5/16")	ZC7G0P01107
Qty/box			1

CCRM 2018

1	SCREWS AND FASTENERS
2	FURNITURE EQUIPMENT
3	HINGES
4	SLIDES
5	CASTERS AND LEGS
6	KITCHEN SOLUTIONS
7	CLOSET SOLUTIONS
8	LIGHTING SOLUTIONS
9	SINKS AND FAUCETS
10	OFFICE
11	SLIDING DOORS SYSTEMS
12	GLASS HARDWARE
13	PANELS AND SURFACES
14	EDGE-BANDING
15	CABINET DOORS AND DRAWERS
16	MOLDINGS, CORBELS AND WINE CELLARS
17	GLUES, SILICONES, CAULK AND INSULATING
18	TOOLS AND SECURITY
19	FINISHING PRODUCTS AND ABRASIVES
20	COMMERCIAL DISPLAY AND HARDWARE
21	BUILDERS HARDWARE

All dimensions in millimeters (inch equivalents as shown)

**Space Tower Kit**



Space Tower can be accessed with impressive ease, provides ample space for provisions, and can be tailored to each customer's individual needs, meaning this well-designed pantry unit provides optimum support for everyday kitchen use. To ensure that every single Space Tower has the wow factor, there are already some handy design tips available for when you are planning your practical solution. Pull-outs that fit flexibility into the cabinet and can be individually adapted to suit different stored items offer additional design options.

**Included Product(s):**

- The stainless steel Space Tower includes five Legrabox FREE drawers (550 mm in length), four Blumotion Inserta hinges (155°), and four Expando right mounting plates.
- One M height drawer and four C height Legrabox FREE drawers with glass facades; two full glass facades and two mid-height glass facades.
- Five Blumotion slides; two with loading capacity of 70 kg and three with loading capacity of 40 kg.

\*\*CABINET NOT INCLUDED; HARDWARE ONLY\*\*

**Important Information**

The Space Tower is shipped on a pallet.

\*NO SUBSTITUTIONS\*

**780X55B01**

Qty/box

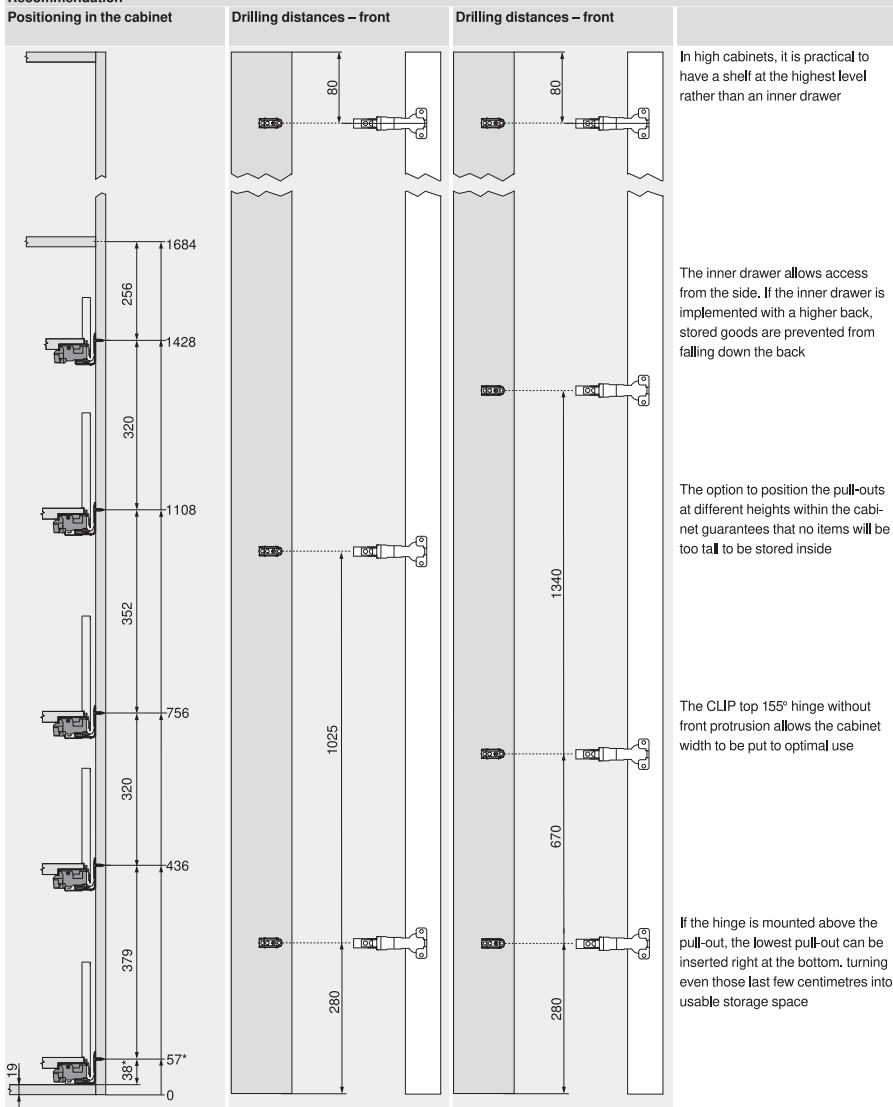
**1**

**SPACE TOWER**

**Planning**

**Recommendation**

**Positioning in the cabinet**



\* +1 mm if cabinet profile is installed before the cabinet is assembled

# I slides I

## LEGRABOX

### Accessories

All dimensions in millimeters (inch equivalents as shown)

### Tip-On Blumotion for Legrabox

Tip-On Blumotion combines the advantages of the Tip-On mechanical opening support system with the reliable Blumotion dampening for silent and effortless closing - 100% mechanical. Opens with just a light touch, has a smooth running action and closes silently and effortlessly - experience complete harmonious and convenient motion with Tip-On Blumotion technology

- Small front gap; Tip-On Blumotion can be adjusted to have a small front gap of 2.5mm, meaning it is also ideal for kitchens.
- 4-dimensional adjustment; The 4-dimensional adjustment ensures a precise gap layout. The integrated depth adjustment can be made tool-free using the adjustment wheel.
- Reliable function; It is possible to pull to open or push to close with ease, and Tip-On Blumotion will remain fully functional.
- Easy assembly.

### Tip-On Component Specifications

Cabinet profiles (left and right)



\* Suitable for Servo-Drive

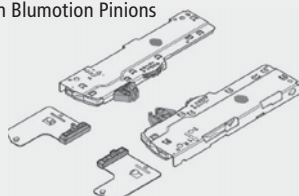
Load Capacity	Nominal Length	
40 kg	270 mm (10-5/8")	7502701M
40 kg	350 mm (13-25/32")	7503501M
40 kg	400 mm (15-3/4")	7504001M
40 kg	450 mm (17-23/32")	7504501M
40 kg	500 mm (19-11/16")	7505001M
40 kg	550 mm (21-21/32")	7505501M
40 kg	600 mm (23-5/8")	7506001M
70 kg	450 mm (17-23/32")	7534501M
70 kg	500 mm (19-11/16")	7535001M
70 kg	550 mm (21-21/32")	7535501M
70 kg	600 mm (23-5/8")	7536001M
70 kg	650 mm (25-19/32")	7536501M

Qty/box 1

### Tip-On Blumotion Kit

Included products in this kit:

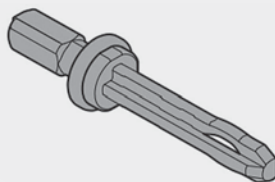
- Left/Right Tip-On Blumotion Units
- Left/Right Tip-On Blumotion Pinions



Load Capacity	Finish	Nominal Length	
10 to 20 kg	Light Grey	270 to 300 mm (10-5/8 to 11-13/16")	T60L7140105
Max. 20 kg	Light Grey	350 to 750 mm (13-25/32 to 29-17/32")	T60L7340105
15 to 40 kg	Dark Grey	350 to 750 mm (13-25/32 to 29-17/32")	T60L7540100
35 to 70 kg	Black	350 to 750 mm (13-25/32 to 29-17/32")	T60L7570090

Qty/box Pair

### Tip-On Synchronisation Adapter



Minimum of 2 required per drawer

T60000D

Qty/box Per unit

### Tip-On Blumotion Synchronization Linkage

#### Important information

- Recommended for cabinets of 400 mm and more.
- Suitable for cabinet widths up to 1400 mm
- For cutting to size

Nominal Length	Finish	
1125 mm (44-1/4")	Black	T601125W

Qty/box Per unit

CCRM 2018

- 1 SCREWS AND FASTENERS
- 2 FURNITURE EQUIPMENT
- 3 HINGES
- 4 SLIDES
- 5 CASTERS AND LEGS
- 6 KITCHEN SOLUTIONS
- 7 CLOSET SOLUTIONS
- 8 LIGHTING SOLUTIONS
- 9 SINKS AND FAUCETS
- 10 OFFICE
- 11 SLIDING DOORS SYSTEMS
- 12 GLASS HARDWARE
- 13 PANELS AND SURFACES
- 14 EDGE-BANDING
- 15 CABINET DOORS AND DRAWERS
- 16 MOLDINGS, CORBELS AND WINE CELLARS
- 17 GLUES, SILICONES, CAULK AND INSULATING
- 18 TOOLS AND SECURITY
- 19 FINISHING PRODUCTS AND ABRASIVES
- 20 COMMERCIAL DISPLAY AND HARDWARE
- 21 BUILDERS HARDWARE



# I slides I

## TANDEMBOX

### Overview

# Richelieu Section 4B

All dimensions in millimeters (inch equivalents as shown)

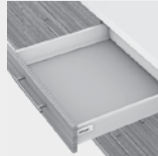
Step 1: Choose application

Step 2: Locate information

Step 3: Select components

Step 4: Choose application

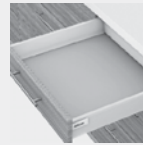
Standard Drawer  
M Height



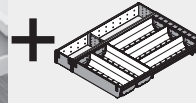
Find the page for the application and determine what will be needed for installation.



Cutlery (Page 4B22)

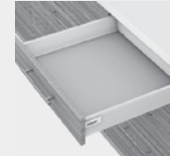


Standard Drawer  
M Height



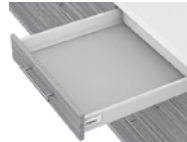
ORGA-LINE  
Cutlery Kit

Follow the installation instructions for each component given in the catalog.



N Height  
69 mm (2-11/16")

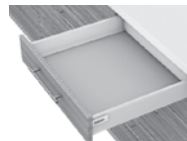
Standard Drawer  
N Height



Page 4B2

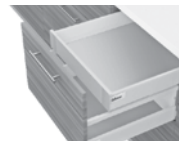
M Height  
84 mm (3-5/16")

Standard Drawer  
M Height



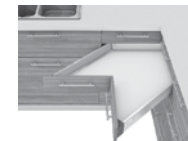
Page 4B4

Interior Roll-Out  
M Height



Page 4B6

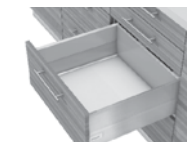
Space Corner  
M Height



Page 4B16

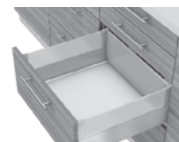
D Height  
201 mm (7-15/16")  
203 mm (8")

Standard Drawer  
with Boxcap  
D Height



Page 4B8

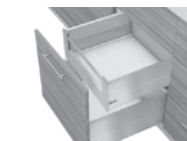
Standard Drawer  
with Boxcover  
D Height



Page 4B10

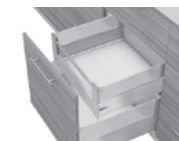
D Height  
201 mm (7-15/16")  
203 mm (8")

Interior Roll-Out  
with Boxcap  
D Height



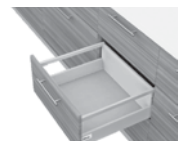
Page 4B12

Interior Roll-Out  
with Boxcover  
D Height



Page 4B14

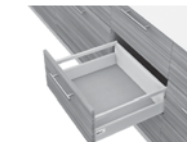
Single Gallery  
D Height  
This application has a different drawer side height than other D height applications. 207 mm (8-1/8")



Page 4B20

B Height  
146 mm (5-3/4")

Single Gallery  
B Height



Page 4B18

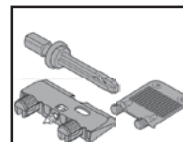
ORGA-LINE

Cutlery kit



Page 4B22

Accessories



Page 4B28

1  
SCREWS  
AND  
FASTENERS

2  
FURNITURE  
EQUIPMENT

3  
HINGES

4  
SLIDES

5  
CASTERS  
AND LEGS

6  
KITCHEN  
SOLUTIONS

7  
CLOSET  
SOLUTIONS

8  
LIGHTING  
SOLUTIONS

9  
SINKS  
AND  
FAUCETS

10  
OFFICE

11  
SLIDING  
DOORS  
SYSTEMS

12  
GLASS  
HARDWARE

13  
PANELS  
AND  
SURFACES

14  
EDGE-  
BANDING

15  
CABINET  
DOORS  
AND  
DRAWERS

16  
MOLDINGS,  
CORBELS  
AND WINE  
CELLARS

17  
GLUES,  
SILICONES,  
CAULK AND  
INSULATING

18  
TOOLS  
AND  
SECURITY

19  
FINISHING  
PRODUCTS  
AND  
ABRASIVES

20  
COMMERCIAL  
DISPLAY AND  
HARDWARE

21  
BUILDERS  
HARDWARE

I Slides I

# TANDEMBOX INTIVO

Standard Drawer – N Height (69mm (2-11/16"))

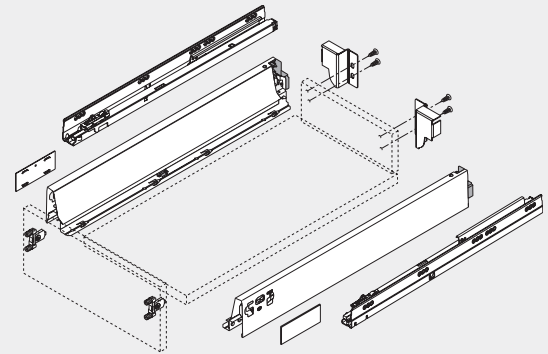
**Richelieu**  
**blum** Section 4B

All dimensions in millimeters (inch equivalents as shown)



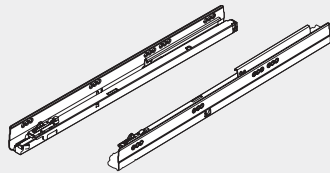
### Description

- Full extension drawer system with BLUMOTION
- TANDEM smooth running mechanism
- Two-dimensional drawer front adjustment
- Dynamic load capacity of min. 30 kg
- Drawer side height 69 mm (2-11/16")



### Component Specifications

Cabinet profiles sets (left and right)



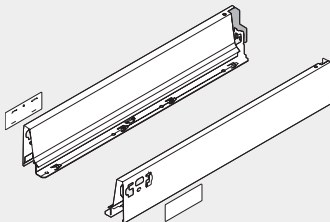
Nominal length	Actual cabinet profile length	with integrated BLUMOTION*		with integrated TIP-ON
		30 kg	65 kg	50 kg
16"	400 mm (15-3/4")	5784001B	-	-
18"	450 mm (17-11/16")	5784501B	5764501B	5594501T
20"	500 mm (19-11/16")	5785001B	5765001B	5595001T
22"	550 mm (21-5/8")	5785501B	5765501B	5595501T

\* Suitable for Servo-Drive

Qty/box **1 pair**

Drawer profile sets (left and right)

Includes color coordinated cover caps

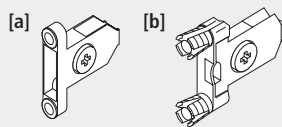


Nominal length	Actual cabinet profile length	Gray	Inox	Silk White
		16"	400 mm (15-3/4")	378N4002A106
18"	450 mm (17-11/16")	378N4502A106	378N4502A170	378N4502A31
20"	500 mm (19-11/16")	378N5002A106	378N5002A170	378N5002A31
22"	550 mm (21-5/8")	378N5502A106	378N5502A170	378N5502A31

Qty/box **1 pair**

Front fixing brackets

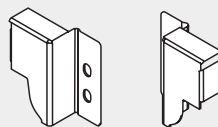
Two required per drawer



		Qty/box
Screw-On* [a]	ZSF35A2	1
INSERTA [b]	ZSF39A2	1

\*Use of #6 x 3/4" minimum truss head screw is recommended

Rear fixing bracket sets (left and right)



Gray	Z30N000106
Nickel	Z30N000180
Silk White	Z30N00031

Qty/box **1 pair**

CCRM 2018



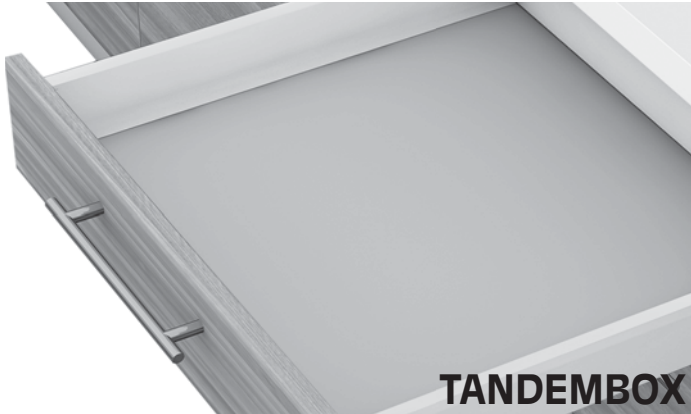
Slides |

# TANDEMBOX INTIVO

Standard Drawer - N Height (69mm (2-11/16"))

**Richelieu**  
**blum** Section 4B

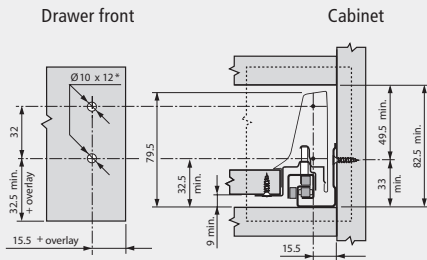
All dimensions in millimeters (inch equivalents as shown)



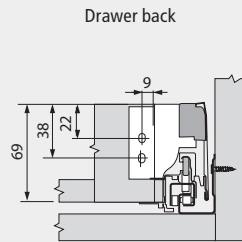
**TANDEMBOX**

## Space Requirements and Installation Specifications

### Front fixing bracket installation

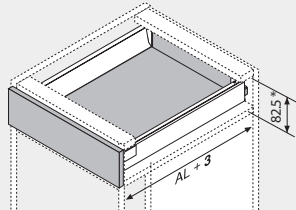


### Rear fixing bracket installation



\*Pre-boring dimensions for INSERTA and EXPANDO only, for screw-on pre-bore  $\varnothing 2 \text{ mm} \times 2.5 \text{ mm}$

### Space requirements

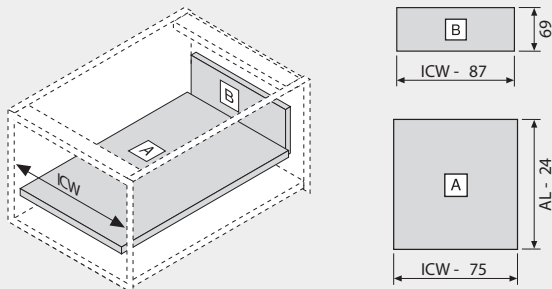


AL Actual cabinet profile length

\*Minimum opening height based on 3 mm (1/8") clearance

### Cutting dimensions for bottom and back

Drawer bottom		Drawer back	
Width	ICW minus 75 mm (2-15/16")	Width	ICW minus 87 mm (3-7/16")
Length	AL minus 24 mm (15/16")	Height	69 mm (2-11/16")



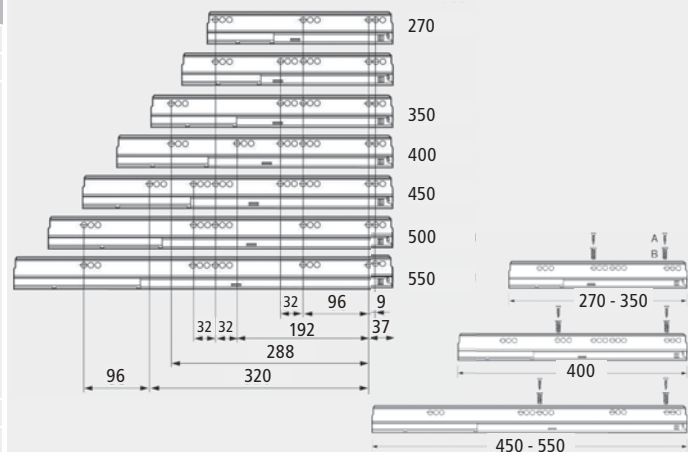
AL Actual cabinet profile length

ICW Inside cabinet width

NOTE: Use 16 mm (5/8") material for bottom and back

### Cabinet profile screw positions

Nominal length NL (mm)



CCRM 2018

**1**  
SCREWS  
AND  
FASTENERS

**2**  
FURNITURE  
EQUIPMENT

**3**  
HINGES

**4**  
SLIDES

**5**  
CASTERS  
AND LEGS

**6**  
KITCHEN  
SOLUTIONS

**7**  
CLOSET  
SOLUTIONS

**8**  
LIGHTING  
SOLUTIONS

**9**  
SINKS  
AND  
FAUCETS

**10**  
OFFICE

**11**  
SLIDING  
DOORS  
SYSTEMS

**12**  
GLASS  
HARDWARE

**13**  
PANELS  
AND  
SURFACES

**14**  
EDGE-  
BANDING

**15**  
CABINET  
DOORS  
AND  
DRAWERS

**16**  
MOLDINGS,  
CORBELS  
AND WINE  
CELLARS

**17**  
GLUES,  
SILICONES,  
CAULK AND  
INSULATING

**18**  
TOOLS  
AND  
SECURITY

**19**  
FINISHING  
PRODUCTS  
AND  
ABRASIVES

**20**  
COMMERCIAL  
DISPLAY AND  
HARDWARE

**21**  
BUILDERS  
HARDWARE

I Slides I

# TANDEMBOX INTIVO

Standard Drawer – M Height (84 mm (3-5/16"))

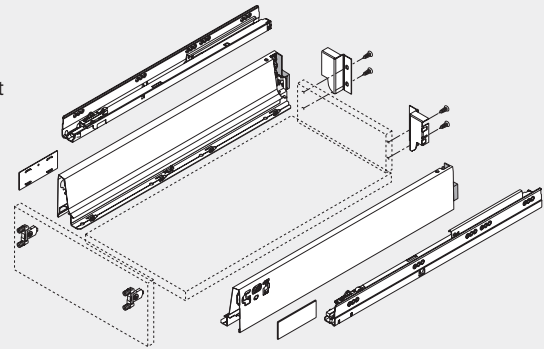
**Richelieu**  
**blum** Section 4B

All dimensions in millimeters (inch equivalents as shown)



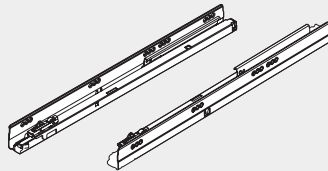
## Description

- Full extension drawer system with BLUMOTION
- TANDEM smooth running mechanism
- Two-dimensional drawer front adjustment
- Dynamic load capacity min. of 30 kg
- Drawer side height 84 mm (3-5/16")



## Component Specifications

Cabinet profiles sets (left and right)



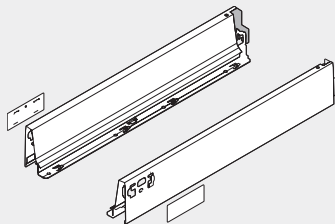
Nominal length	Actual cabinet profile length	with integrated BLUMOTION*	
		30 kg	65 kg
11"	270 mm (10-5/8")	5782701B	-
14"	350 mm (13-3/4")	5783501B	-
16"	400 mm (15-3/4")	5784001B	-
18"	450 mm (17-11/16")	5784501B	5764501B
20"	500 mm (19-11/16")	5785001B	5765001B
22"	550 mm (21-5/8")	5785501B	5765501B
24"	600 mm (23-5/8")	-	5766001B
26"	650 mm (25-9/16")	-	5766501B

\* Suitable for Servo-Drive

Qty/box 1 pair

Drawer profile sets (left and right)

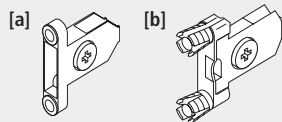
Includes color coordinated cover caps



Nominal length	Actual cabinet profile length	Color			
		Gray	Inox	Silk White	Terra Black
11"	270 mm (10-5/8")	378M2702A106	378M2702A170	378M2702A31	378M2702A96
14"	350 mm (13-3/4")	378M3502A106	378M3502A170	378M3502A31	378M3502A96
16"	400 mm (15-3/4")	378M4002A106	378M4002A170	378M4002A31	378M4002A96
18"	450 mm (17-11/16")	378M4502A106	378M4502A170	378M4502A31	378M4502A96
20"	500 mm (19-11/16")	378M5002A106	378M5002A170	378M5002A31	378M5002A96
22"	550 mm (21-5/8")	378M5502A106	378M5502A170	378M5502A31	378M5502A96
24"	600 mm (23-5/8")	378M6002A106	378M6002A170	378M6002A31	378M6002A96
26"	650 mm (25-9/16")	378M6502A106	378M6502A170	378M6502A31	378M6502A96

Qty/box 1 pair

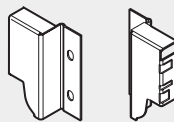
Front fixing brackets  
Two required per drawer



		Qty/box
Screw-On* [a]	ZSF35A2	1
INSERTA [b]	ZSF39A2	1

\*Use of #6 x 3/4" minimum truss head screw is recommended

Rear fixing bracket sets  
(left and right)



Gray	Z30M000106
Nickel	Z30M000180
Silk White	Z30M00031
Terra Black	Z30M00096

Qty/box 1 pair

CCRM 2018

I slides I

# TANDEMBOX INTIVO

Standard Drawer - M Height (84 mm (3-5/16"))

**Richelieu**  
**blum** Section 4B

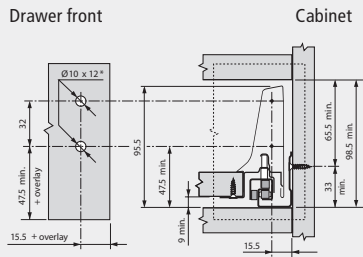
All dimensions in millimeters (inch equivalents as shown)



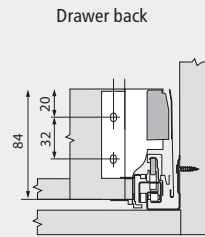
**TANDEMBOX**

## Space Requirements and Installation Specifications

Front fixing bracket installation

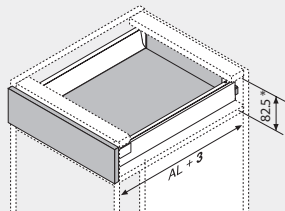


Rear fixing bracket installation



\*Pre-boring dimensions for INSERTA and EXPANDO only, for screw-on pre-bore Ø2 mm x 2.5 mm

### Space requirements

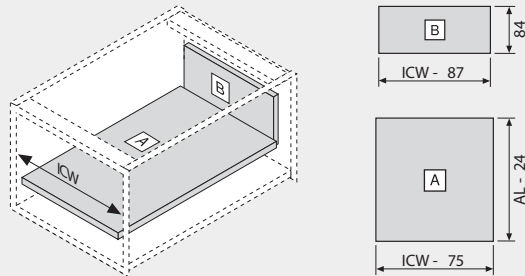


AL Actual cabinet profile length

\*Minimum opening height based on 3 mm (1/8") clearance

### Cutting dimensions for bottom and back

Drawer bottom		Drawer back	
Width	ICW minus 75 mm (2-15/16")	Width	ICW minus 87 mm (3-7/16")
Length	AL minus 24 mm (15/16")	Height	84 mm (3-5/16")



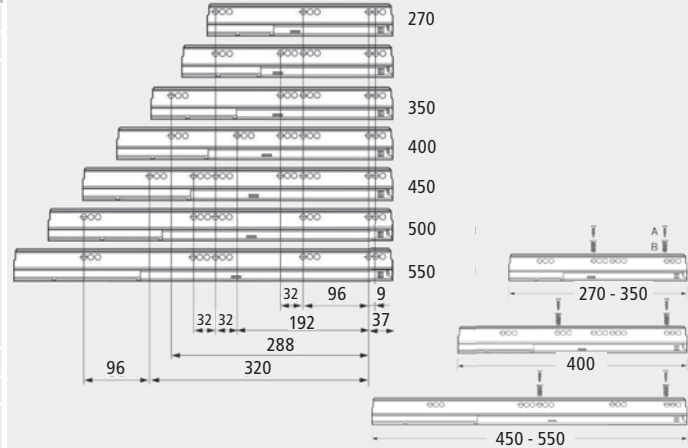
AL Actual cabinet profile length

ICW Inside cabinet width

NOTE: Use 16 mm (5/8") material for bottom and back

### Cabinet profile screw positions

Nominal length NL (mm)



CCRM 2018

- 1 SCREWS AND FASTENERS
- 2 FURNITURE EQUIPMENT
- 3 HINGES
- 4 SLIDES
- 5 CASTERS AND LEGS
- 6 KITCHEN SOLUTIONS
- 7 CLOSET SOLUTIONS
- 8 LIGHTING SOLUTIONS
- 9 SINKS AND FAUCETS
- 10 OFFICE
- 11 SLIDING DOORS SYSTEMS
- 12 GLASS HARDWARE
- 13 PANELS AND SURFACES
- 14 EDGE-BANDING
- 15 CABINET DOORS AND DRAWERS
- 16 MOLDINGS, CORBELS AND WINE CELLARS
- 17 GLUES, SILICONES, CAULK AND INSULATING
- 18 TOOLS AND SECURITY
- 19 FINISHING PRODUCTS AND ABRASIVES
- 20 COMMERCIAL DISPLAY AND HARDWARE
- 21 BUILDERS HARDWARE

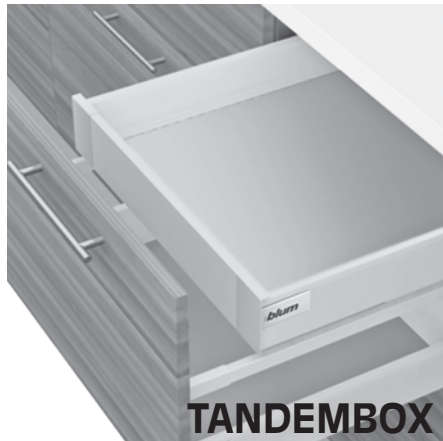
I slides I

# TANDEMBOX INTIVO

Interior Roll-Out – M Height (84 mm (3-5/16"))

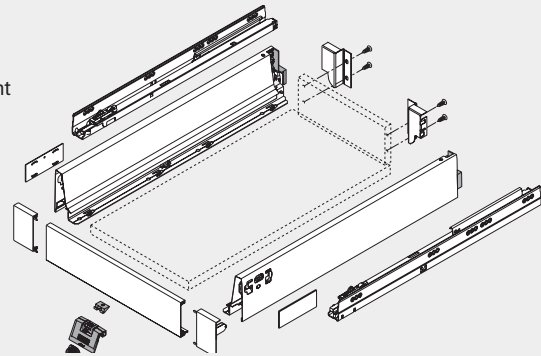
**Richelieu**  
**blum** Section 4B

All dimensions in millimeters (inch equivalents as shown)



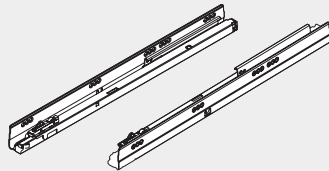
## Description

- Full extension drawer system with BLUMOTION
- TANDEM smooth running mechanism
- Two-dimensional drawer front adjustment
- Dynamic load capacity min. of 30 kg
- Drawer side height 84 mm (3-5/16")



## Component Specifications

Cabinet profiles sets (left and right)



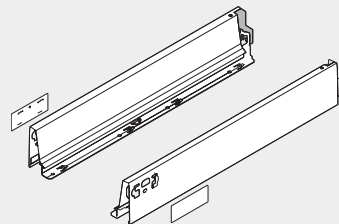
Nominal length	Actual cabinet profile length	with integrated BLUMOTION*	
		30 kg	65 kg
11"	270 mm (10-5/8")	5782701B	-
14"	350 mm (13-3/4")	5783501B	-
16"	400 mm (15-3/4")	5784001B	-
18"	450 mm (17-11/16")	5784501B	5764501B
20"	500 mm (19-11/16")	5785001B	5765001B
22"	550 mm (21-5/8")	5785501B	5765501B
24"	600 mm (23-5/8")	-	5766001B
26"	650 mm (25-9/16")	-	5766501B

\* Suitable for Servo-Drive

Qty./box 1 pair

Drawer profile sets (left and right)

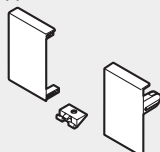
Includes color coordinated cover caps



Nominal length	Actual cabinet profile length	Gray	Inox	Silk White	Terra Black
		11"	270 mm (10-5/8")	378M2702A106	378M2702A170
14"	350 mm (13-3/4")	378M3502A106	378M3502A170	378M3502A31	378M3502A96
16"	400 mm (15-3/4")	378M4002A106	378M4002A170	378M4002A31	378M4002A96
18"	450 mm (17-11/16")	378M4502A106	378M4502A170	378M4502A31	378M4502A96
20"	500 mm (19-11/16")	378M5002A106	378M5002A170	378M5002A31	378M5002A96
22"	550 mm (21-5/8")	378M5502A106	378M5502A170	378M5502A31	378M5502A96
24"	600 mm (23-5/8")	378M6002A106	378M6002A170	378M6002A31	378M6002A96
26"	650 mm (25-9/16")	378M6502A106	378M6502A170	378M6502A31	378M6502A96

Qty./box 1 pair

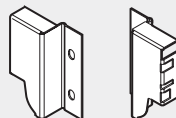
Front fixing brackets sets, metal (left and right)  
Bottom support



Nickel	ZIF80M0180
Silk White	ZIF80M031
Terra Black	ZIF80M096

Qty./box 1 pair

Rear fixing bracket sets (left and right)

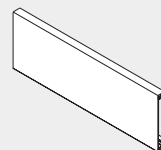


Gray	Z30M000106
Nickel	Z30M000180
Silk White	Z30M00031
Terra Black	Z30M00096

Qty./box 1 pair

Front piece

Length: 1036 mm (40-13/16"), cut to size



Gray	Z31L1036A106
Nickel	Z31L1036A180
Silk White	Z31L1036A31
Terra Black	Z31L1036A96

Qty./box 1 pair

CCRM 2018

I slides |

# TANDEMBOX INTIVO

Interior Roll-Out - M Height (84 mm (3-5/16"))

**Richelieu**  
**blum** Section 4B

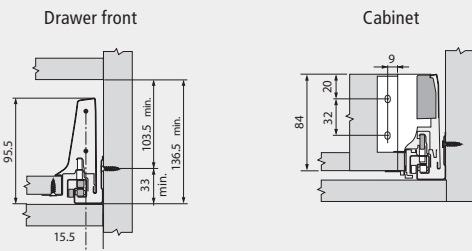
All dimensions in millimeters (inch equivalents as shown)



**TANDEMBOX**

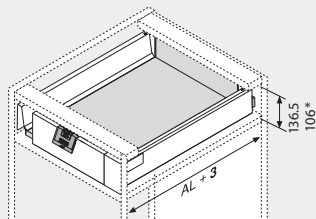
## Space Requirements and Installation Specifications

Rear fixing bracket installation



\*Pre-boring dimensions for INSERTA and EXPANDO only, for screw-on pre-bore Ø2 mm x 2.5 mm

Space requirements

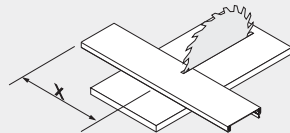


AL Actual cabinet profile length

\*Minimum opening height based on 3 mm (1/8") clearance

Cutting front piece

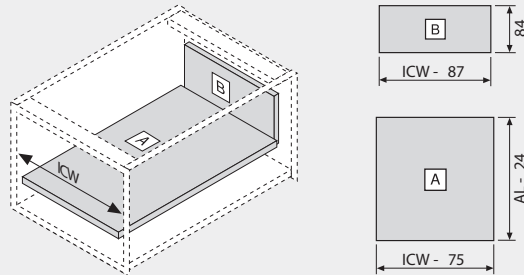
Using a metal cutting blade, cut front piece to size.



X ICW minus 132 mm (5-3/16")

Cutting dimensions for bottom and back

Drawer bottom	Drawer back
Width ICW minus 75 mm (2-15/16")	Width ICW minus 87 mm (3-7/16")
Length AL minus 24 mm (15/16")	Height 84 mm (3-5/16")



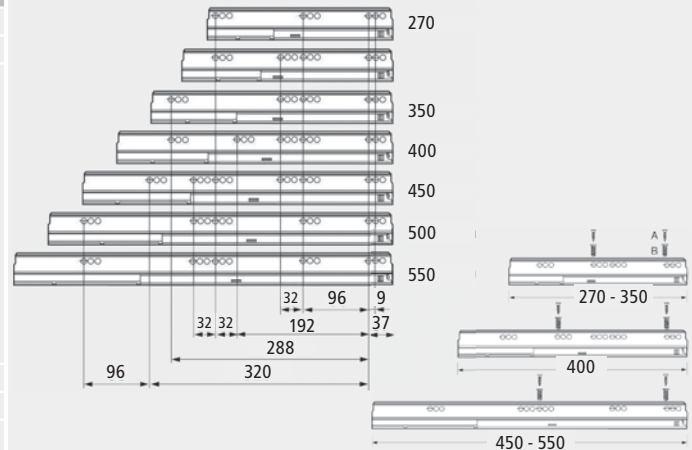
AL Actual cabinet profile length

ICW Inside cabinet width

NOTE: Use 16 mm (5/8") material for bottom and back

Cabinet profile screw positions

Nominal length NL (mm)



CCRM 2018

- 1 SCREWS AND FASTENERS
- 2 FURNITURE EQUIPMENT
- 3 HINGES
- 4 SLIDES
- 5 CASTERS AND LEGS
- 6 KITCHEN SOLUTIONS
- 7 CLOSET SOLUTIONS
- 8 LIGHTING SOLUTIONS
- 9 SINKS AND FAUCETS
- 10 OFFICE
- 11 SLIDING DOORS SYSTEMS
- 12 GLASS HARDWARE
- 13 PANELS AND SURFACES
- 14 EDGE-BANDING
- 15 CABINET DOORS AND DRAWERS
- 16 MOLDINGS, CORBELS AND WINE CELLARS
- 17 GLUES, SILICONES, CAULK AND INSULATING
- 18 TOOLS AND SECURITY
- 19 FINISHING PRODUCTS AND ABRASIVES
- 20 COMMERCIAL DISPLAY AND HARDWARE
- 21 BUILDERS HARDWARE

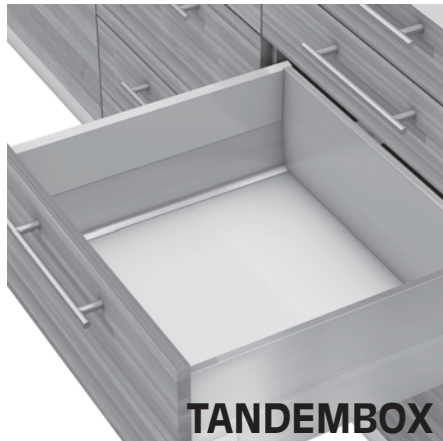
I Slides I

# TANDEMBOX INTIVO

Standard Drawer with Boxcap – D Height (201 mm (7-15/16"))

**Richelieu**  
**blum** Section 4B

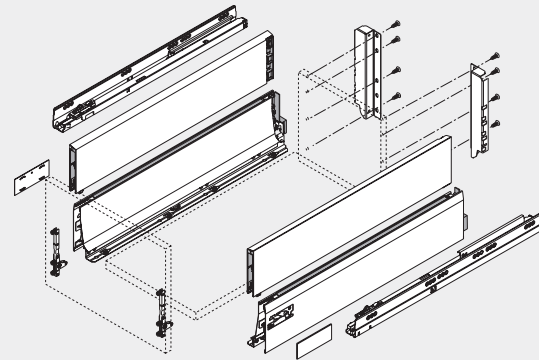
All dimensions in millimeters (inch equivalents as shown)



**TANDEMBOX**

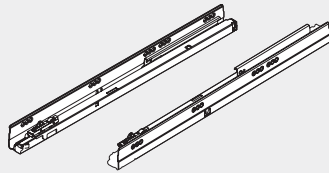
### Description

- Full extension drawer system with BLUMOTION
- TANDEM smooth running mechanism
- Three-dimensional drawer front adjustment
- Dynamic load capacity min. of 30 kg
- Drawer side height 201 mm (7-15/16")



### Component Specifications

Cabinet profiles sets (left and right)

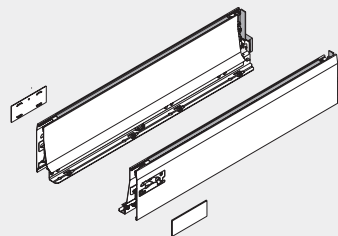


Nominal length	Actual cabinet profile length	with integrated BLUMOTION*	
		30 kg	65 kg
11"	270 mm (10-5/8")	5782701B	-
14"	350 mm (13-3/4")	5783501b	-
16"	400 mm (15-3/4")	5784001B	-
18"	450 mm (17-11/16")	5784501B	5764501B
20"	500 mm (19-11/16")	5785001B	5765001B
22"	550 mm (21-5/8")	5785501B	5765501B
24"	600 mm (23-5/8")	-	5766001b
26"	650 mm (25-9/16")	-	5766501b

\* Suitable for Servo-Drive

Qty/box 1 pair

Drawer profile sets (left and right)  
Includes color coordinated cover caps



Nominal length	Actual cabinet profile length	Color		
		Inox	Silk White	Terra Black
11"	270 mm (10-5/8")	378L2702A170	378L2702A31	378L2702A96
14"	350 mm (13-3/4")	378L3502A170	378L3502A31	378L3502A96
16"	400 mm (15-3/4")	378L4000A170	378L4002A31	378L4002A96
18"	450 mm (17-11/16")	378L4502A170	378L4502A31	-
20"	500 mm (19-11/16")	378L5002A170	378L5002A31	378L5002A96
22"	550 mm (21-5/8")	378L5502A170	378L5502A31	378L5502A96
24"	600 mm (23-5/8")	-	378L6002A31	-
26"	650 mm (25-9/16")	378L6502A170	378L6502A31	378L6502A96

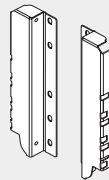
Qty/box 1 pair

Front fixing brackets  
Two required per drawer



		Qty/box
Screw-On	ZSF5220	1
EXPANDO	ZSF532E	1

Rear fixing bracket sets  
(left and right)



Gray	Z30D000106
Nickel	Z30D000180
Silk White	Z30D000131
Terra Black	Z30D000196

Qty/box 1 pair

CCRM 2018

Slides I

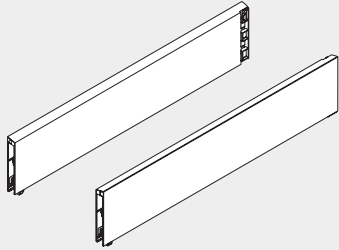
# TANDEMBOX INTIVO

Standard Drawer with Boxcap - D Height (201 mm (7-15/16"))

**Richelieu**  
**blum** Section 4B

All dimensions in millimeters (inch equivalents as shown)

Boxcap sets (left and right)

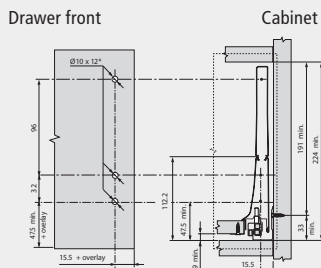


Nominal length	Actual cabinet profile length	Inox	Silk White	Terra Black
11"	270 mm (10-5/8")	Z37L260170	Z37L26031	Z37L26096
14"	350 mm (13-3/4")	Z37L340170	Z37L34031	Z37L34096
16"	400 mm (15-3/4")	Z37L390170	Z37L39031	Z37L39096
18"	450 mm (17-11/16")	Z37L440170	Z37L44031	Z37L44096
20"	500 mm (19-11/16")	Z37L490170	Z37L49031	Z37L49096
22"	550 mm (21-5/8")	Z37L540170	Z37L54031	Z37L54096
24"	600 mm (23-5/8")	Z37L590170	Z37L59031	Z37L59096
26"	650 mm (25-9/16")	Z37L640170	Z37L64031	Z37L64096

Qty/box 6

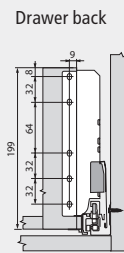
## Space Requirements and Installation Specifications

Front fixing bracket installation

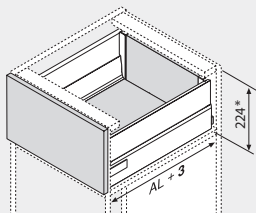


\*Pre-boring dimensions for INSERTA and EXPANDO only, for screw-on pre-bore Ø2 mm x 2.5 mm

Rear fixing bracket installation



Space requirements

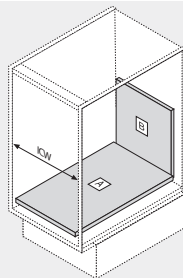


AL Actual cabinet profile length

\*Minimum opening height based on 3 mm (1/8") clearance

Cutting dimensions for bottom and back

Drawer bottom		Drawer back	
Width	ICW minus 75 mm (2-15/16")	Width	ICW minus 87 mm (3-7/16")
Length	AL minus 24 mm (15/16")	Height	199 mm (7-13/16")



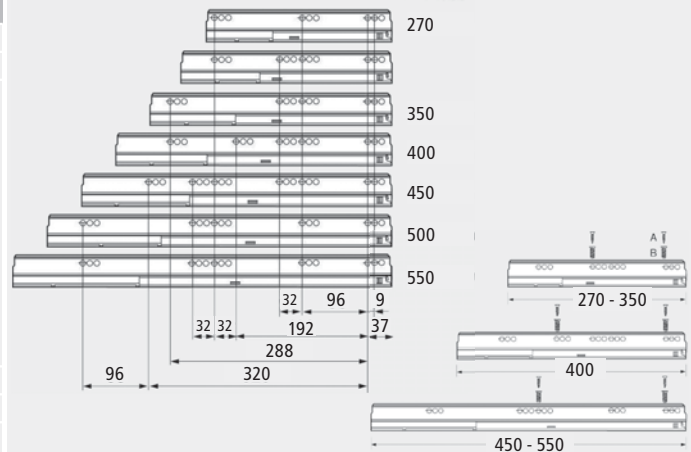
AL Actual cabinet profile length

ICW Inside cabinet width

NOTE: Use 16 mm (5/8") material for bottom and back

Cabinet profile screw positions

Nominal length NL (mm)



CCRM 2018

- 1 SCREWS AND FASTENERS
- 2 FURNITURE EQUIPMENT
- 3 HINGES
- 4 SLIDES
- 5 CASTERS AND LEGS
- 6 KITCHEN SOLUTIONS
- 7 CLOSET SOLUTIONS
- 8 LIGHTING SOLUTIONS
- 9 SINKS AND FAUCETS
- 10 OFFICE
- 11 SLIDING DOORS SYSTEMS
- 12 GLASS HARDWARE
- 13 PANELS AND SURFACES
- 14 EDGE-BANDING
- 15 CABINET DOORS AND DRAWERS
- 16 MOLDINGS, CORBELS AND WINE CELLARS
- 17 GLUES, SILICONES, CAULK AND INSULATING
- 18 TOOLS AND SECURITY
- 19 FINISHING PRODUCTS AND ABRASIVES
- 20 COMMERCIAL DISPLAY AND HARDWARE
- 21 BUILDERS HARDWARE

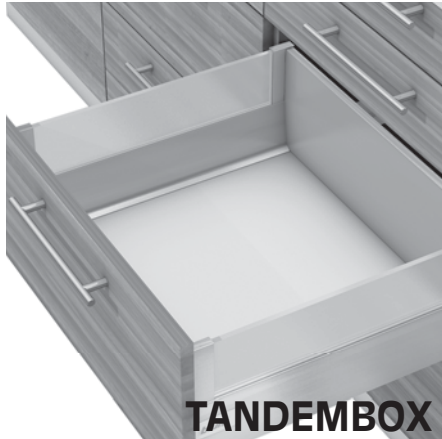
I Slides I

# TANDEMBOX INTIVO

Standard Drawer with Boxcover – D Height (203 mm (8"))

# Richelieu Section 4B

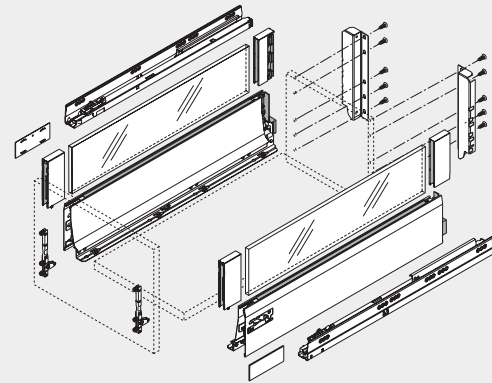
All dimensions in millimeters (inch equivalents as shown)



**TANDEMBOX**

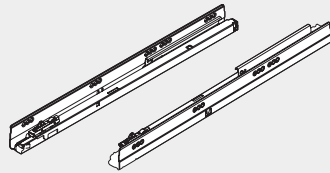
### Description

- Full extension drawer system with BLUMOTION
- TANDEM smooth running mechanism
- Three-dimensional drawer front adjustment
- Dynamic load capacity min. of 30 kg
- Drawer side height 203 mm (8")



### Component Specifications

Cabinet profiles sets (left and right)



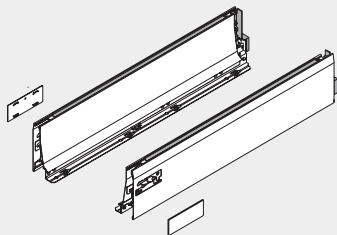
Nominal length	Actual cabinet profile length	with integrated BLUMOTION*	
		30 kg	65 kg
11"	270 mm (10-5/8")	5782701B	-
14"	350 mm (13-3/4")	5783501b	-
16"	400 mm (15-3/4")	5784001B	-
18"	450 mm (17-11/16")	5784501B	5764501B
20"	500 mm (19-11/16")	5785001B	5765001B
22"	550 mm (21-5/8")	5785501B	5765501B
24"	600 mm (23-5/8")	-	5766001b
26"	650 mm (25-9/16")	-	5766501b

\* Suitable for Servo-Drive

Qty./box 1 pair

Drawer profile sets (left and right)

Includes color coordinated cover caps



Nominal length	Actual cabinet profile length	Inox	Silk White	Terra Black
		11"	270 mm (10-5/8")	378L2702A170
14"	350 mm (13-3/4")	378L3502A170	378L3502A31	378L3502A96
16"	400 mm (15-3/4")	378L4000A170	378L4002A31	378L4002A96
18"	450 mm (17-11/16")	378L4502A170	378L4502A31	-
20"	500 mm (19-11/16")	378L5002A170	378L5002A31	378L5002A96
22"	550 mm (21-5/8")	378L5502A170	378L5502A31	378L5502A96
24"	600 mm (23-5/8")	-	378L6002A31	-
26"	650 mm (25-9/16")	378L6502A170	378L6502A31	378L6502A96

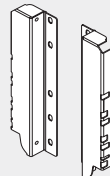
Qty./box 1 pair

Front fixing brackets  
Two required per drawer



		Qty./box
Screw-On	ZSF5220	1
EXPANDO	ZSF532E	1

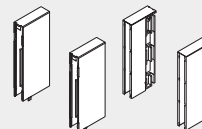
Rear fixing bracket sets  
(left and right)



Gray	Z30D000106
Nickel	Z30D000180
Silk White	Z30D000131
Terra Black	Z30D000196

Qty./box 1 pair

Boxcover sets (front and rear)



Inox	Z36L002G170
Silk White	Z36L002G31
Terra Black	Z36L002G96

Qty./box 1 pair

CCRM 2018



Slides I

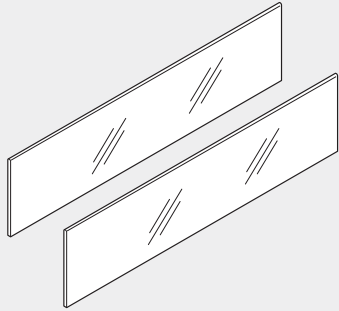
# TANDEMBOX INTIVO

Standard Drawer with Boxcover – D Height (203 mm (8"))

**Richelieu Section 4B**

All dimensions in millimeters (inch equivalents as shown)

Design element sets (left and right)  
8 mm thick tempered glass with frosted finish

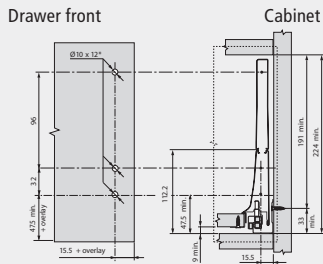


Nominal length	Actual cabinet profile length	Clear	Frosted
		11"	270 mm (10-5/8")
14"	350 mm (13-3/4")	Z37G290D11	Z37G290D12
16"	400 mm (15-3/4")	Z37G340D11	Z37G340D12
18"	450 mm (17-11/16")	Z37G390D11	Z37G390D12
20"	500 mm (19-11/16")	Z37G440D11	Z37G440D12
22"	550 mm (21-5/8")	Z37G490D11	Z37G490D12
24"	600 mm (23-5/8")	Z37G540D11	Z37G540D12
26"	650 mm (25-9/16")	Z37G590D11	Z37G590D12

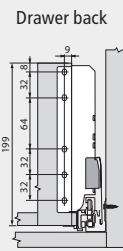
Qty/box **6**

## Space Requirements and Installation Specifications

Front fixing bracket installation

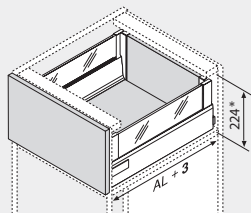


Rear fixing bracket installation



\*Pre-boring dimensions for INSERTA and EXPANDO only, for screw-on pre-bore Ø2 mm x 2.5 mm

Space requirements

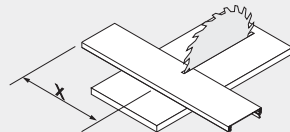


AL Actual cabinet profile length

\*Minimum opening height based on 3 mm (1/8") clearance

Cutting front piece

Using a metal cutting blade, cut front piece to size.



X ICW minus 132 mm (5-3/16")

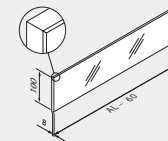
Design element dimensions

Specifications for custom design element

Thickness 8 mm (+0.3/-0.3)

Length AL minus 60 mm

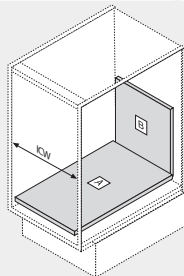
Height 100 mm (+0/-1)



AL Actual cabinet profile length

Cutting dimensions for bottom and back

Drawer bottom		Drawer back	
Width	ICW minus 75 mm (2-15/16")	Width	ICW minus 87 mm (3-7/16")
Length	AL minus 24 mm (15/16")	Height	199 mm (7-13/16")



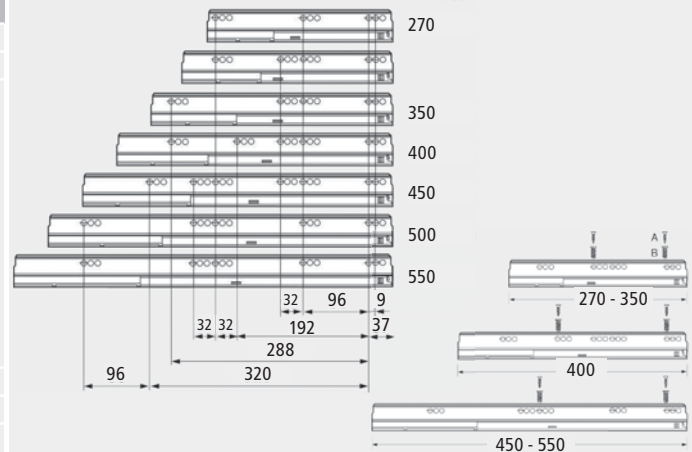
AL Actual cabinet profile length

ICW Inside cabinet width

NOTE: Use 16 mm (5/8") material for bottom and back

Cabinet profile screw positions

Nominal length NL (mm)



CCRM 2018

- 1 SCREWS AND FASTENERS
- 2 FURNITURE EQUIPMENT
- 3 HINGES
- 4 SLIDES
- 5 CASTERS AND LEGS
- 6 KITCHEN SOLUTIONS
- 7 CLOSET SOLUTIONS
- 8 LIGHTING SOLUTIONS
- 9 SINKS AND FAUCETS
- 10 OFFICE
- 11 SLIDING DOORS SYSTEMS
- 12 GLASS HARDWARE
- 13 PANELS AND SURFACES
- 14 EDGE-BANDING
- 15 CABINET DOORS AND DRAWERS
- 16 MOLDINGS, CORBELS AND WINE CELLARS
- 17 GLUES, SILICONES, CAULK AND INSULATING
- 18 TOOLS AND SECURITY
- 19 FINISHING PRODUCTS AND ABRASIVES
- 20 COMMERCIAL DISPLAY AND HARDWARE
- 21 BUILDERS HARDWARE

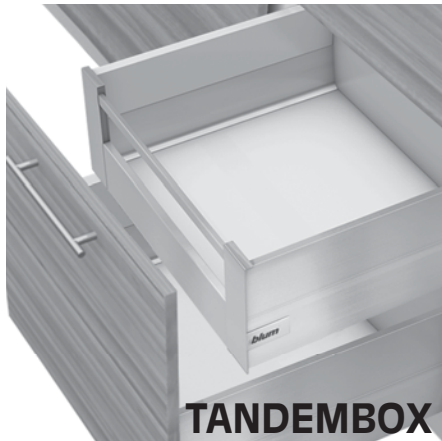
I Slides I

# TANDEMBOX INTIVO

Interior Roll-Out with Boxcap – D Height (201 mm (7-15/16"))

**Richelieu**  
**blum** Section 4B

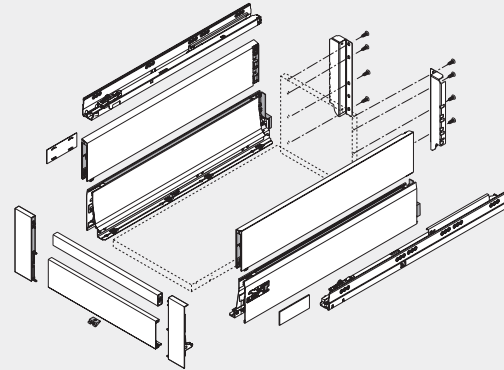
All dimensions in millimeters (inch equivalents as shown)



**TANDEMBOX**

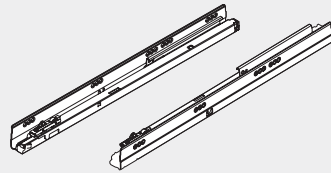
## Description

- Full extension drawer system with BLUMOTION
- TANDEM smooth running mechanism
- Three-dimensional drawer front adjustment
- Dynamic load capacity min. of 30 kg
- Drawer side height 201 mm (7-15/16")



## Component Specifications

Cabinet profiles sets (left and right)



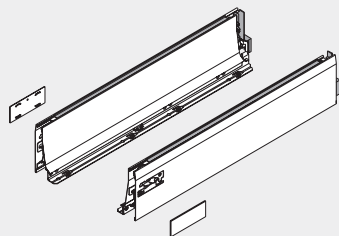
Nominal length	Actual cabinet profile length	with integrated BLUMOTION*	
		30 kg	65 kg
11"	270 mm (10-5/8")	5782701B	-
14"	350 mm (13-3/4")	5783501b	-
16"	400 mm (15-3/4")	5784001B	-
18"	450 mm (17-11/16")	5784501B	5764501B
20"	500 mm (19-11/16")	5785001B	5765001B
22"	550 mm (21-5/8")	5785501B	5765501B
24"	600 mm (23-5/8")	-	5766001b
26"	650 mm (25-9/16")	-	5766501b

\* Suitable for Servo-Drive

Qty/box 1 pair

Drawer profile sets (left and right)

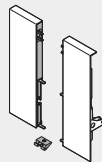
Includes color coordinated cover caps



Nominal length	Actual cabinet profile length	Inox	Silk White	Terra Black
		11"	270 mm (10-5/8")	378L2702A170
14"	350 mm (13-3/4")	378L3502A170	378L3502A31	378L3502A96
16"	400 mm (15-3/4")	378L4000A170	378L4002A31	378L4002A96
18"	450 mm (17-11/16")	378L4502A170	378L4502A31	-
20"	500 mm (19-11/16")	378L5002A170	378L5002A31	378L5002A96
22"	550 mm (21-5/8")	378L5502A170	378L5502A31	378L5502A96
24"	600 mm (23-5/8")	-	378L6002A31	-
26"	650 mm (25-9/16")	378L6502A170	378L6502A31	378L6502A96

Qty/box 1 pair

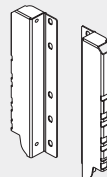
Front fixing brackets sets, metal (left and right)  
Bottom support



	No Tube	Tube
Nickel	ZIF81D0180	ZIF82D0180
Silk White	ZIF81D031	ZIF82D031
Terra Black	ZIF81D096	ZIF82D096

Qty/box 1 pair

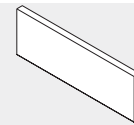
Rear fixing bracket sets (left and right)



Gray	Z30D000106
Nickel	Z30D000L180
Silk White	Z30D000L31
Terra Black	Z30D000L96

Qty/box 1 pair

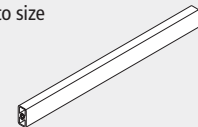
Front piece  
Length: 1036 mm (40-13/16"), cut to size



Gray	Z31L1036A106
Nickel	Z31L1036A180
Nickel with groove	Z31L1036AN180
Silk White	Z31L1036A31
Silk White with groove	Z31L1036AN31
Terra Black	Z31L1036A96
Terra Black with groove	Z31L1036AN96

Qty/box 1 pair

Cross rail  
Length: 1046 mm (41-3/16"), cut to size



Gray	ZRG1046Z106
Nickel	ZRG1046180
Silk White	ZRG104631
Terra Black	ZRG104696

Qty/box 1 pair

CCRM 2018

Slides I

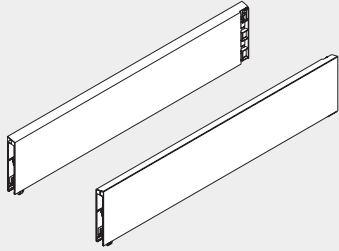
# TANDEMBOX INTIVO

Interior Roll-Out with Boxcap - D Height (201 mm (7-15/16"))

**Richelieu Section 4B**

All dimensions in millimeters (inch equivalents as shown)

Boxcap sets (left and right)

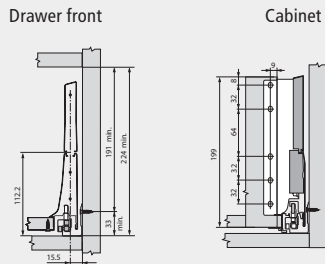


Nominal length	Actual cabinet profile length	Inox	Silk White	Terra Black
11"	270 mm (10-5/8")	Z37L260170	Z37L26031	Z37L26096
14"	350 mm (13-3/4")	Z37L340170	Z37L34031	Z37L34096
16"	400 mm (15-3/4")	Z37L390170	Z37L39031	Z37L39096
18"	450 mm (17-11/16")	Z37L440170	Z37L44031	Z37L44096
20"	500 mm (19-11/16")	Z37L490170	Z37L49031	Z37L49096
22"	550 mm (21-5/8")	Z37L540170	Z37L54031	Z37L54096
24"	600 mm (23-5/8")	Z37L590170	Z37L59031	Z37L59096
26"	650 mm (25-9/16")	Z37L640170	Z37L64031	Z37L64096

Qty/box 6

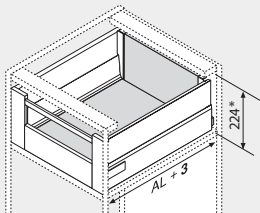
## Space Requirements and Installation Specifications

Front fixing bracket installation



\*Pre-boring dimensions for INSERTA and EXPANDO only, for screw-on pre-bore Ø2 mm x 2.5 mm

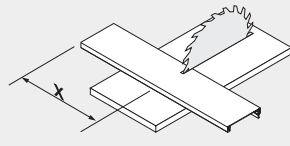
Space requirements



AL Actual cabinet profile length  
\*Minimum opening height based on 3 mm (1/8") clearance

Cutting front piece

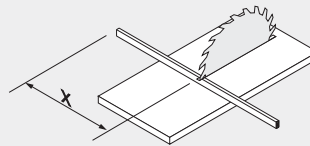
Using a metal cutting blade, cut front piece to size.



X ICW minus 132 mm (5-3/16")

Cutting cross rail

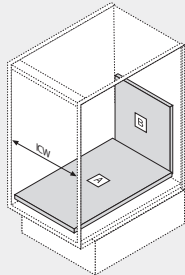
Using a metal cutting blade, cut cross rail to size.



X ICW minus 122 mm (4-13/16")

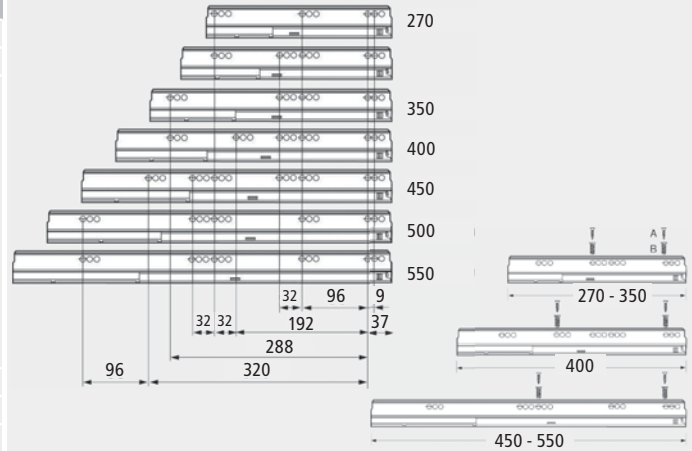
Cutting dimensions for bottom and back

Drawer bottom		Drawer back	
Width	ICW minus 75 mm (2-15/16")	Width	ICW minus 87 mm (3-7/16")
Length	AL minus 24 mm (15/16")	Height	199 mm (7-13/16")



AL Actual cabinet profile length  
ICW Inside cabinet width  
NOTE: Use 16 mm (5/8") material for bottom and back

Cabinet profile screw positions  
Nominal length NL (mm)



CCRM 2018

- 1 SCREWS AND FASTENERS
- 2 FURNITURE EQUIPMENT
- 3 HINGES
- 4 SLIDES
- 5 CASTERS AND LEGS
- 6 KITCHEN SOLUTIONS
- 7 CLOSET SOLUTIONS
- 8 LIGHTING SOLUTIONS
- 9 SINKS AND FAUCETS
- 10 OFFICE
- 11 SLIDING DOORS SYSTEMS
- 12 GLASS HARDWARE
- 13 PANELS AND SURFACES
- 14 EDGE-BANDING
- 15 CABINET DOORS AND DRAWERS
- 16 MOLDINGS, CORBELS AND WINE CELLARS
- 17 GLUES, SILICONES, CAULK AND INSULATING
- 18 TOOLS AND SECURITY
- 19 FINISHING PRODUCTS AND ABRASIVES
- 20 COMMERCIAL DISPLAY AND HARDWARE
- 21 BUILDERS HARDWARE

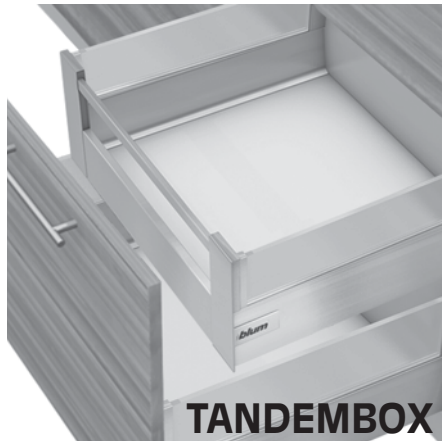
I Slides I

# TANDEMBOX

Interior Roll-Out with Boxcover – D Height (203 mm (8"))

# Richelieu Section 4B

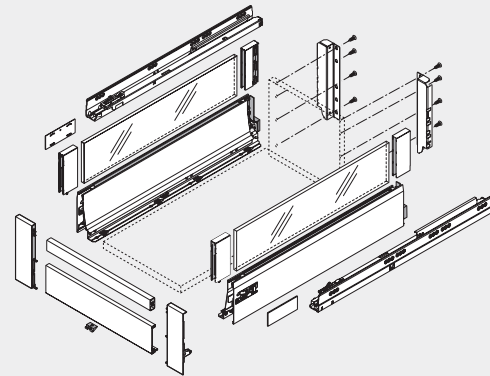
All dimensions in millimeters (inch equivalents as shown)



**TANDEMBOX**

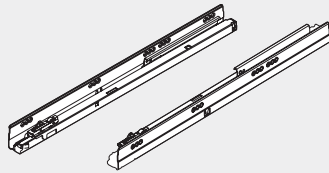
### Description

- Full extension drawer system with BLUMOTION
- TANDEM smooth running mechanism
- Three-dimensional drawer front adjustment
- Dynamic load capacity min. of 30 kg
- Drawer side height 203 mm (8")



### Component Specifications

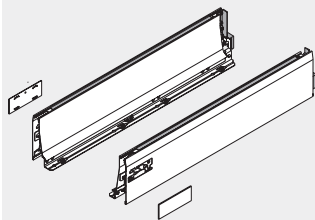
Cabinet profiles sets (left and right)



Nominal length	Actual cabinet profile length	with integrated BLUMOTION*	
		30 kg	65 kg
11"	270 mm (10-5/8")	5782701B	-
14"	350 mm (13-3/4")	5783501b	-
16"	400 mm (15-3/4")	5784001B	-
18"	450 mm (17-11/16")	5784501B	5764501B
20"	500 mm (19-11/16")	5785001B	5765001B
22"	550 mm (21-5/8")	5785501B	5765501B
24"	600 mm (23-5/8")	-	5766001b
26"	650 mm (25-9/16")	-	5766501b

\* Suitable for Servo-Drive

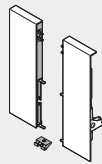
Drawer profile sets (left and right)  
Includes color coordinated cover caps



Nominal length	Actual cabinet profile length	Color		
		Inox	Silk White	Terra Black
11"	270 mm (10-5/8")	378L2702A170	378L2702A31	378L2702A96
14"	350 mm (13-3/4")	378L3502A170	378L3502A31	378L3502A96
16"	400 mm (15-3/4")	378L4000A170	378L4002A31	378L4002A96
18"	450 mm (17-11/16")	378L4502A170	378L4502A31	-
20"	500 mm (19-11/16")	378L5002A170	378L5002A31	378L5002A96
22"	550 mm (21-5/8")	378L5502A170	378L5502A31	378L5502A96
24"	600 mm (23-5/8")	-	378L6002A31	-
26"	650 mm (25-9/16")	378L6502A170	378L6502A31	378L6502A96

Qty./box	1 pair
<b>Boxcover sets (front and rear)</b>	
Gray	Z36L002G106
Inox	Z36L002G170
Silk White	Z36L002G31
Terra Black	Z36L002G96

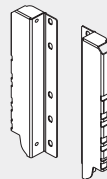
Front fixing brackets sets, metal (left and right)  
Bottom support



	No Tube	Tube
Nickel	ZIF81D0180	ZIF82D0180
Silk White	ZIF81D031	ZIF82D031
Terra Black	ZIF81D096	ZIF82D096

Qty./box 1 pair

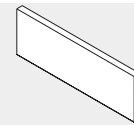
Rear fixing bracket sets (left and right)



Gray	Z30D000106
Nickel	Z30D000180
Silk White	Z30D000131
Terra Black	Z30D000196

Qty./box 1 pair

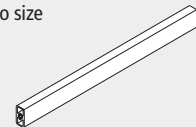
Front piece  
Length: 1036 mm (40-13/16"), cut to size



Gray	Z31L1036A106
Nickel	Z31L1036A180
Nickel with groove	Z31L1036AN180
Silk White	Z31L1036A31
Silk White with groove	Z31L1036AN31
Terra Black	Z31L1036A96
Terra Black with groove	Z31L1036AN96

Qty./box 1 pair

Cross rail  
Length: 1046 mm (41-3/16"), cut to size



Gray	ZRG1046Z106
Nickel	ZRG1046180
Silk White	ZRG104631
Terra Black	ZRG104696

Qty./box 1 pair

CCRM 2018

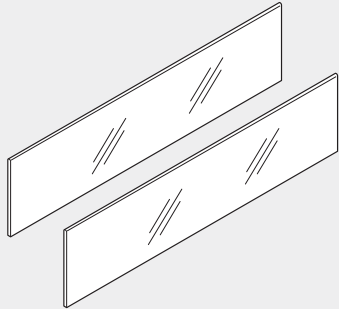
# Slides I TANDEMBOX

## Interior Roll-Out with Boxcover – D Height (203 mm (8"))



All dimensions in millimeters (inch equivalents as shown)

Design element sets (left and right)  
8 mm thick tempered glass with frosted finish

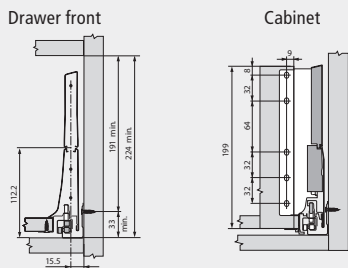


Nominal length	Actual cabinet profile length	Clear	Frosted
		Z37G210D11	Z37G210D12
14"	350 mm (13-3/4")	Z37G290D11	Z37G290D12
16"	400 mm (15-3/4")	Z37G340D11	Z37G340D12
18"	450 mm (17-11/16")	Z37G390D11	Z37G390D12
20"	500 mm (19-11/16")	Z37G440D11	Z37G440D12
22"	550 mm (21-5/8")	Z37G490D11	Z37G490D12
24"	600 mm (23-5/8")	Z37G540D11	Z37G540D12
26"	650 mm (25-9/16")	Z37G590D11	Z37G590D12

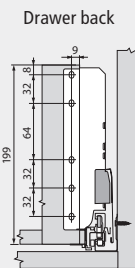
Qty/box 6

### Space Requirements and Installation Specifications

#### Front fixing bracket installation

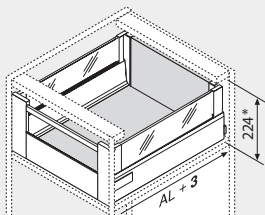


#### Rear fixing bracket installation



\*Pre-boring dimensions for INSERTA and EXPANDO only, for screw-on pre-bore Ø2 mm x 2.5 mm

#### Space requirements

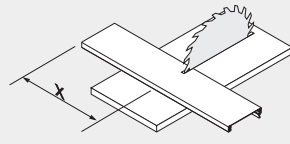


AL Actual cabinet profile length

\*Minimum opening height based on 3 mm (1/8") clearance

#### Cutting front piece

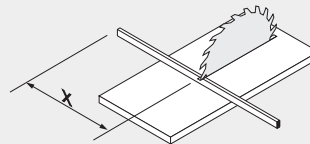
Using a metal cutting blade, cut front piece to size.



X ICW minus 132 mm (5-3/16")

#### Cutting front piece

Using a metal cutting blade, cut cross rail to size.



X ICW minus 122 mm (4-13/16")

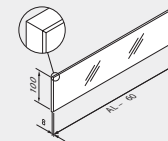
#### Design element dimensions

##### Specifications for custom design element

Thickness 8 mm (+0.3/-0.3)

Length AL minus 60 mm

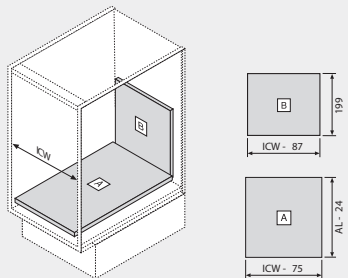
Height 100 mm (+0/-1)



AL Actual cabinet profile length

#### Cutting dimensions for bottom and back

Drawer bottom		Drawer back	
Width	ICW minus 75 mm (2-15/16")	Width	ICW minus 87 mm (3-7/16")
Length	AL minus 24 mm (15/16")	Height	199 mm (7-13/16")



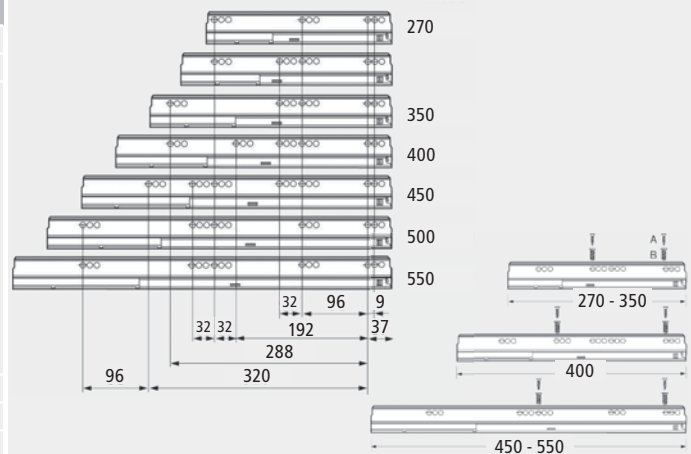
AL Actual cabinet profile length

ICW Inside cabinet width

NOTE: Use 16 mm (5/8") material for bottom and back

#### Cabinet profile screw positions

Nominal length NL (mm)



CCRM 2018

- 1 SCREWS AND FASTENERS
- 2 FURNITURE EQUIPMENT
- 3 HINGES
- 4 SLIDES
- 5 CASTERS AND LEGS
- 6 KITCHEN SOLUTIONS
- 7 CLOSET SOLUTIONS
- 8 LIGHTING SOLUTIONS
- 9 SINKS AND FAUCETS
- 10 OFFICE
- 11 SLIDING DOORS SYSTEMS
- 12 GLASS HARDWARE
- 13 PANELS AND SURFACES
- 14 EDGE-BANDING
- 15 CABINET DOORS AND DRAWERS
- 16 MOLDINGS, CORBELS AND WINE CELLARS
- 17 GLUES, SILICONES, CAULK AND INSULATING
- 18 TOOLS AND SECURITY
- 19 FINISHING PRODUCTS AND ABRASIVES
- 20 COMMERCIAL DISPLAY AND HARDWARE
- 21 BUILDERS HARDWARE

| Slides |

# TANDEMBOX

Space Corner - M Height (84 mm (3-5/16"))

**Richelieu**  
**blum** Section 4B

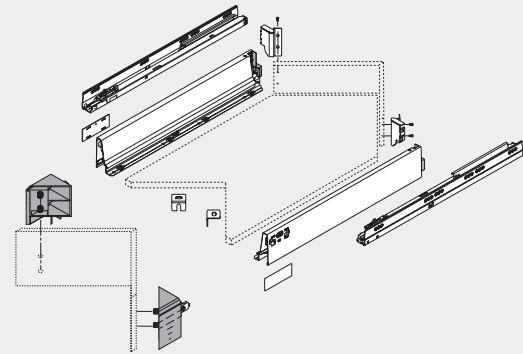
All dimensions in millimeters (inch equivalents as shown)



**TANDEMBOX**

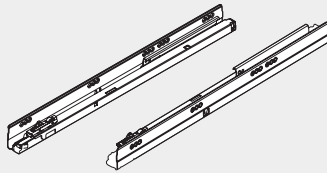
## Description

- Full extension drawer system with BLUMOTION
- TANDEM smooth running mechanism
- Two-dimensional drawer front adjustment
- Dynamic load capacity min. of 65 kg



## Component Specifications

Cabinet profiles sets (left and right)



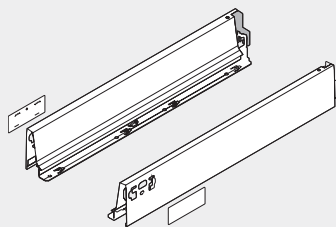
Nominal length	Actual cabinet profile length	with integrated BLUMOTION*	
		30 kg	65 kg
24"	600 mm (23-5/8")	-	5766001B
26"	650 mm (25-9/16")	-	5766501B

\* Suitable for Servo-Drive

Qty./box 1 pair

Drawer profile sets (left and right)

Includes color coordinated cover caps



Nominal length	Actual cabinet profile length	Gray	Inox	Silk White	Terra Black
		11"	270 mm (10-5/8")	378M2702A106	378M2702A170
14"	350 mm (13-3/4")	378M3502A106	378M3502A170	378M3502A31	378M3502A96
16"	400 mm (15-3/4")	378M4002A106	378M4002A170	378M4002A31	378M4002A96
18"	450 mm (17-11/16")	378M4502A106	378M4502A170	378M4502A31	378M4502A96
20"	500 mm (19-11/16")	378M5002A106	378M5002A170	378M5002A31	378M5002A96
22"	550 mm (21-5/8")	378M5502A106	378M5502A170	378M5502A31	378M5502A96
24"	600 mm (23-5/8")	378M6002A106	378M6002A170	378M6002A31	378M6002A96
26"	650 mm (25-9/16")	378M6502A106	378M6502A170	378M6502A31	-

Qty./box 1 pair

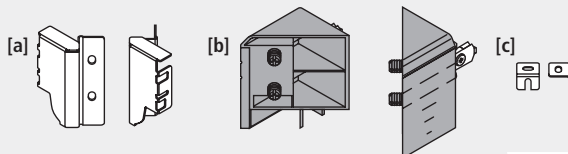
Space corner sets

Set includes:

[a] Corner rear fixing bracket (qty 2)

[b] Corner front piece (gray only) (qty 2)

[c] Drawer front support bracket (qty 2)



Gray	ZSF340E106
Nickel	ZSF340E180

Qty./box 1 set

CCRM 2018

I slides |

# TANDEMBOX

Space Corner - M Height (84 mm (3-5/16"))

# Richelieu Section 4B

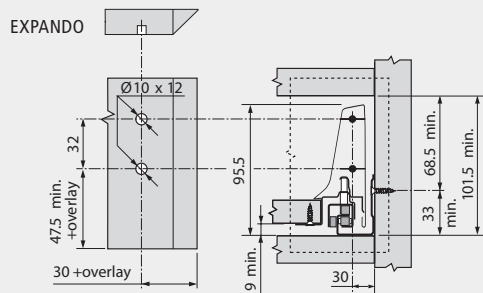
All dimensions in millimeters (inch equivalents as shown)



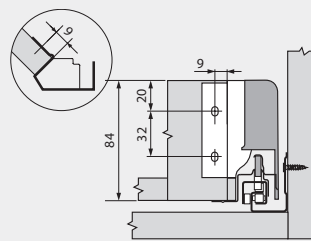
**TANDEMBOX**

## Space Requirements and Installation Specifications

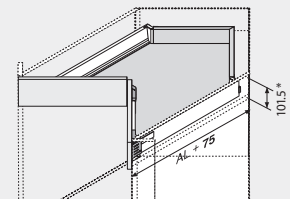
### Front fixing bracket installation



### Corner rear fixing bracket installation

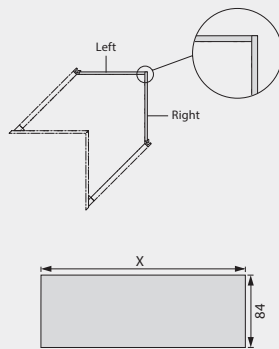


### Space requirements



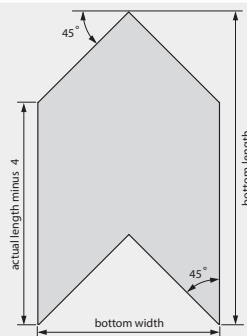
AL Actual cabinet profile length  
\*Minimum opening height based on 3 mm (1/8") clearance

### Drawer back cutting dimensions



### Drawer bottom cutting dimensions

Bottom width ICW minus 75 mm (2-15/16")  
Bottom length Bottom width divided by two, plus AL minus 4 mm (3/16")

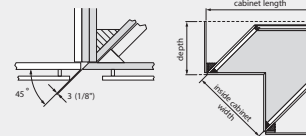


NOTE: Use 16 mm (5/8") material for bottom

### Cabinet measurements

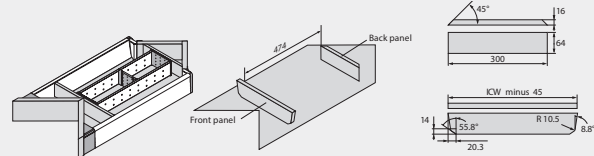
A minimum clearance of 3 mm (1/8") must be maintained between the opening path of the drawer front of the space corner and the edge of the adjacent drawer front (including the drawer handle).

To facilitate this, the edge of the space corner drawer fronts should be cut at a 45 degree angle.



### Space corner preparation for ORGA-LINE

In order to use ORGA-LINE in an M height space corner, the drawer must be fitted with two vertical wooden cross dividers that are spaced 474 mm (18-11/16") apart.



### Calculating cutting of drawer backs

Right back piece X = Opening width minus 75 mm x 0.707 mm

Left back piece X = Right back piece length minus 16 mm

CCRM 2018

- 1 SCREWS AND FASTENERS
- 2 FURNITURE EQUIPMENT
- 3 HINGES
- 4 SLIDES
- 5 CASTERS AND LEGS
- 6 KITCHEN SOLUTIONS
- 7 CLOSET SOLUTIONS
- 8 LIGHTING SOLUTIONS
- 9 SINKS AND FAUCETS
- 10 OFFICE
- 11 SLIDING DOORS SYSTEMS
- 12 GLASS HARDWARE
- 13 PANELS AND SURFACES
- 14 EDGE-BANDING
- 15 CABINET DOORS AND DRAWERS
- 16 MOLDINGS, CORBELS AND WINE CELLARS
- 17 GLUES, SILICONES, CAULK AND INSULATING
- 18 TOOLS AND SECURITY
- 19 FINISHING PRODUCTS AND ABRASIVES
- 20 COMMERCIAL DISPLAY AND HARDWARE
- 21 BUILDERS HARDWARE

I slides I

# TANDEMBOX ANTARO

Drawers with Single Gallery – B Height (146 mm (5-3/4"))

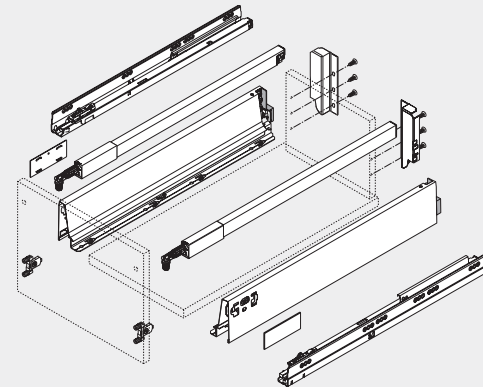
# Richelieu Section 4B

All dimensions in millimeters (inch equivalents as shown)



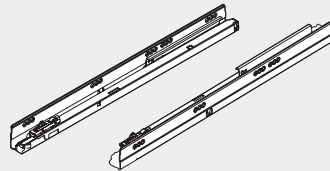
### Description

- Full extension drawer system with BLUMOTION
- TANDEM smooth running action
- Three-dimensional drawer front adjustment
- Dynamic load capacities min. of 30 kg
- Drawer side height 146 mm (5-3/4")



### Component Specifications

Cabinet profiles sets (left and right)



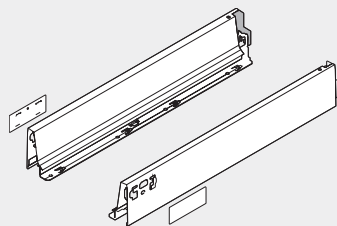
Nominal length	Actual cabinet profile length	with integrated BLUMOTION*	
		30 kg	65 kg
11"	270 mm (10-5/8")	5782701B	-
14"	350 mm (13-3/4")	5783501B	-
16"	400 mm (15-3/4")	5784001B	-
18"	450 mm (17-11/16")	5784501B	5764501B
20"	500 mm (19-11/16")	5785001B	5765001B
22"	550 mm (21-5/8")	5785501B	5765501B
24"	600 mm (23-5/8")	-	5766001B
26"	650 mm (25-9/16")	-	5766501B

\* Suitable for Servo-Drive

Qty./box 1 pair

Drawer profile sets (left and right)

Includes color coordinated cover caps

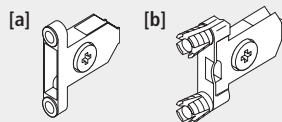


Nominal length	Actual cabinet profile length	Gray	Inox	Silk White	Terra Black
		11"	270 mm (10-5/8")	378M2702A106	378M2702A170
14"	350 mm (13-3/4")	378M3502A106	378M3502A170	378M3502A31	378M3502A96
16"	400 mm (15-3/4")	378M4002A106	378M4002A170	378M4002A31	378M4002A96
18"	450 mm (17-11/16")	378M4502A106	378M4502A170	378M4502A31	378M4502A96
20"	500 mm (19-11/16")	378M5002A106	378M5002A170	378M5002A31	378M5002A96
22"	550 mm (21-5/8")	378M5502A106	378M5502A170	378M5502A31	378M5502A96
24"	600 mm (23-5/8")	378M6002A106	378M6002A170	378M6002A31	378M6002A96
26"	650 mm (25-9/16")	378M6502A106	378M6502A170	378M6502A31	-

Qty./box 1 pair

Front fixing brackets

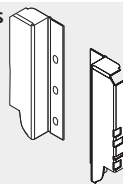
Two required per drawer



		Qty./box
Screw-On* [a]	ZSF35A2	1
INSERTA [b]	ZSF39A2	1

\*Use of #6 x 3/4" minimum truss head screw is recommended

Rear fixing bracket sets (left and right)



Gray	Z30B000106
Inox	Z30B000170
Silk White	Z30B00031
Terra Black	Z30B00096

Qty./box 1 pair

CCRM 2018



Slides I

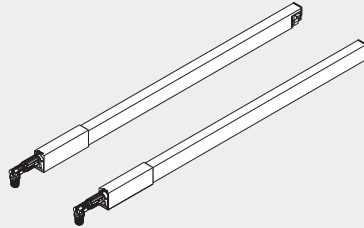
# TANDEMBOX ANTARO

Drawers with Single Gallery - B Height (146 mm (5-3/4"))

**Richelieu**  
**blum** Section 4B

All dimensions in millimeters (inch equivalents as shown)

Top gallery rail sets (left and right)

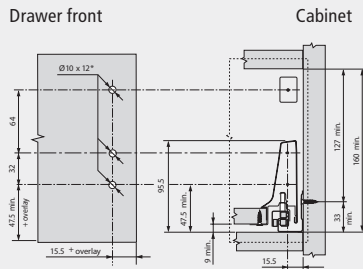


Nominal length	Actual cabinet profile length	Color		
		Gray	Inox	Silk White
11"	270 mm (10-5/8")	ZRG207106	ZRG207170	ZRG20731
16"	400 mm (15-3/4")	ZRG337C106	ZRG337C170	-
18"	450 mm (17-11/16")	ZRG387C106	ZRG387C170	-
20"	500 mm (19-11/16")	ZRG437C106	ZRG437C170	-
22"	550 mm (21-5/8")	ZRG487C106	ZRG487C170	-

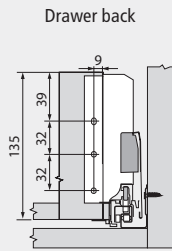
Qty/box **1 pair**

## Space Requirements and Installation Specifications

Front fixing bracket installation

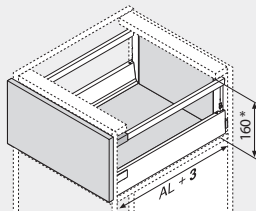


Rear fixing bracket installation



\*Pre-boring dimensions for INSERTA and EXPANDO only, for screw-on pre-bore Ø2 mm x 2.5 mm

Space requirements

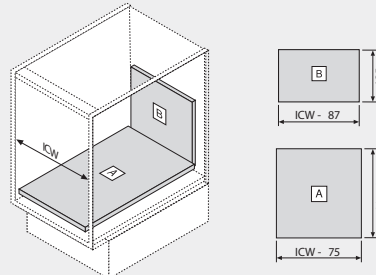


AL Actual cabinet profile length

\*Minimum opening height based on 3 mm (1/8") clearance

Cutting dimensions for bottom and back

Drawer bottom		Drawer back	
Width	ICW minus 75 mm (2-15/16")	Width	ICW minus 87 mm (3-7/16")
Length	AL minus 24 mm (15/16")	Height	135 mm (5-5/16")



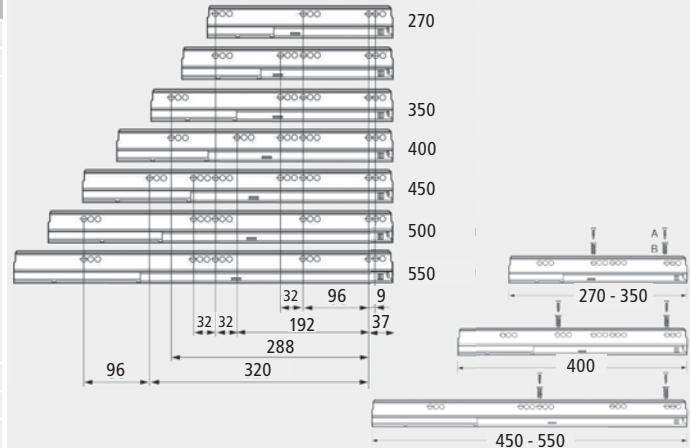
AL Actual cabinet profile length

ICW Inside cabinet width

NOTE: Use 16 mm (5/8") material for bottom and back

Cabinet profile screw positions

Nominal length NL (mm)



CCRM 2018

- 1 SCREWS AND FASTENERS
- 2 FURNITURE EQUIPMENT
- 3 HINGES
- 4 SLIDES
- 5 CASTERS AND LEGS
- 6 KITCHEN SOLUTIONS
- 7 CLOSET SOLUTIONS
- 8 LIGHTING SOLUTIONS
- 9 SINKS AND FAUCETS
- 10 OFFICE
- 11 SLIDING DOORS SYSTEMS
- 12 GLASS HARDWARE
- 13 PANELS AND SURFACES
- 14 EDGE-BANDING
- 15 CABINET DOORS AND DRAWERS
- 16 MOLDINGS, CORBELS AND WINE CELLARS
- 17 GLUES, SILICONES, CAULK AND INSULATING
- 18 TOOLS AND SECURITY
- 19 FINISHING PRODUCTS AND ABRASIVES
- 20 COMMERCIAL DISPLAY AND HARDWARE
- 21 BUILDERS HARDWARE

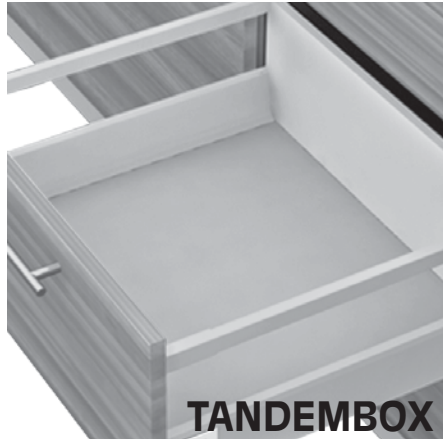
I Slides I

# TANDEMBOX

Drawers with Single Gallery – D Height (207 mm (8-1/8"))

# Richelieu *blum* Section 4B

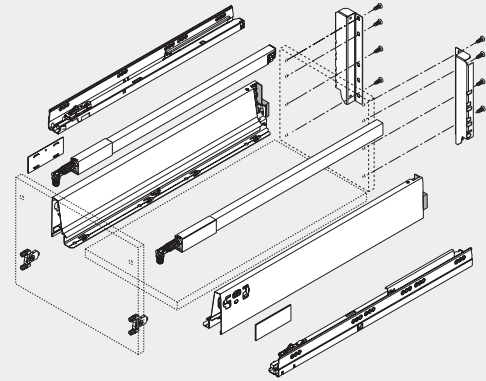
All dimensions in millimeters (inch equivalents as shown)



**TANDEMBOX**

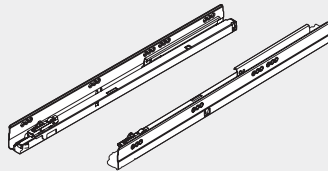
### Description

- Full extension drawer system with BLUMOTION
- TANDEM smooth running action
- Three-dimensional drawer front adjustment
- Dynamic load capacities min. of 30 kg
- Drawer side height 207 mm (8-1/8")



### Component Specifications

Cabinet profiles sets (left and right)



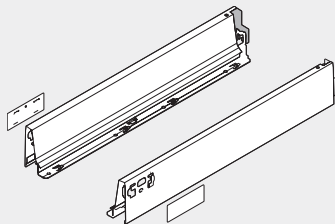
Nominal length	Actual cabinet profile length
11"	270 mm (10-5/8")
14"	350 mm (13-3/4")
16"	400 mm (15-3/4")
18"	450 mm (17-11/16")
20"	500 mm (19-11/16")
22"	550 mm (21-5/8")
24"	600 mm (23-5/8")
26"	650 mm (25-9/16")

	with integrated BLUMOTION*		with integrated TIP-ON
	30 kg	65 kg	50 kg
	-	-	-
	-	-	-
	5784001B	-	-
	5784501B	5764501B	5594501T
	5785001B	5765001B	5595001T
	5785501B	5765501B	5595501T
	-	-	-
	-	-	-

\* Suitable for Servo-Drive

Qty./box 1 pair

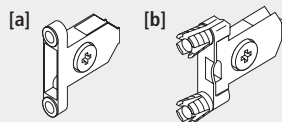
Drawer profile sets (left and right)  
Includes color coordinated cover caps



Nominal length	Actual cabinet profile length	Gray	Inox
11"	270 mm (10-5/8")	-	-
14"	350 mm (13-3/4")	-	-
16"	400 mm (15-3/4")	378M4002A106	378M4002A170
18"	450 mm (17-11/16")	378M4502A106	378M4502A170
20"	500 mm (19-11/16")	378M5002A106	378M5002A170
22"	550 mm (21-5/8")	378M5502A106	378M5502A170
24"	600 mm (23-5/8")	-	-
26"	650 mm (25-9/16")	-	-

Qty./box 1 pair

Front fixing brackets  
Two required per drawer

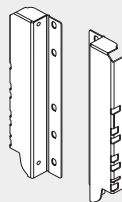


Qty./box

Screw-On* [a]	ZSF35A2	1
INSERTA [b]	ZSF39A2	1

\*Use of #6 x 3/4" minimum truss head screw is recommended

Rear fixing bracket sets  
(left and right)



Gray	Z30D000106
Inox	Z30D000170

Qty./box 1 pair

CCRM 2018

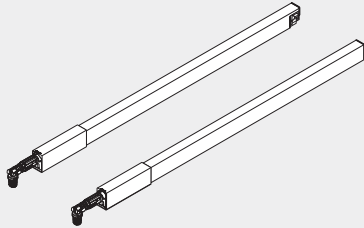
# I slides I TANDEMBOX

Drawers with Single Gallery – D Height (207 mm (8-1/8"))

**Richelieu**  
**blum** Section 4B

All dimensions in millimeters (inch equivalents as shown)

Top gallery rail sets (left and right)

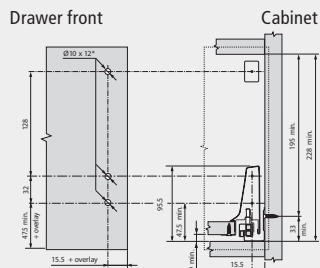


Nominal length	Actual cabinet profile length	Gray	Inox
		ZRG337C106	ZRG337C170
18"	450 mm (17-11/16")	ZRG387C106	ZRG387C170
20"	500 mm (19-11/16")	ZRG437C106	ZRG437C170
22"	550 mm (21-5/8")	ZRG487C106	ZRG487C170

Qty/box 1 pair

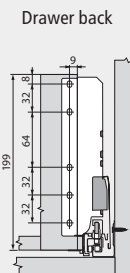
## Space Requirements and Installation Specifications

Front fixing bracket installation

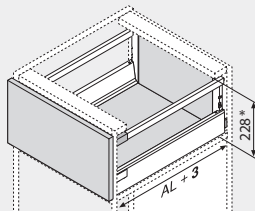


\*Pre-boring dimensions for INSERTA and EXPANDO only, for screw-on pre-bore  $\varnothing 2$  mm x 2.5 mm

Rear fixing bracket installation



Space requirements

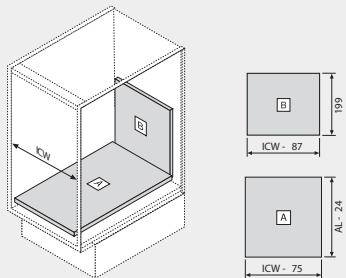


AL Actual cabinet profile length

\*Minimum opening height based on 3 mm (1/8") clearance

Cutting dimensions for bottom and back

Drawer bottom		Drawer back	
Width	ICW minus 75 mm (2-15/16")	Width	ICW minus 87 mm (3-7/16")
Length	AL minus 24 mm (15/16")	Height	199 mm (7-13/16")



AL Actual cabinet profile length

ICW Inside cabinet width

NOTE: Use 16 mm (5/8") material for bottom and back

- 1 SCREWS AND FASTENERS
- 2 FURNITURE EQUIPMENT
- 3 HINGES
- 4 SLIDES
- 5 CASTERS AND LEGS
- 6 KITCHEN SOLUTIONS
- 7 CLOSET SOLUTIONS
- 8 LIGHTING SOLUTIONS
- 9 SINKS AND FAUCETS
- 10 OFFICE
- 11 SLIDING DOORS SYSTEMS
- 12 GLASS HARDWARE
- 13 PANELS AND SURFACES
- 14 EDGE-BANDING
- 15 CABINET DOORS AND DRAWERS
- 16 MOLDINGS, CORBELS AND WINE CELLARS
- 17 GLUES, SILICONES, CAULK AND INSULATING
- 18 TOOLS AND SECURITY
- 19 FINISHING PRODUCTS AND ABRASIVES
- 20 COMMERCIAL DISPLAY AND HARDWARE
- 21 BUILDERS HARDWARE

I slides I

# TANDEMBOX

ORGA-LINE for TANDEMBOX

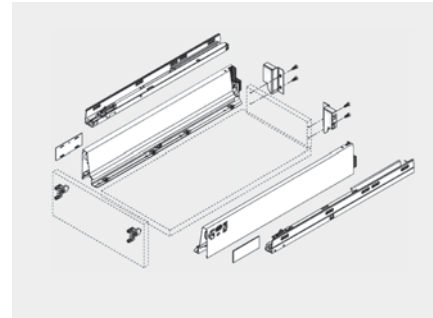
All dimensions in millimeters (inch equivalents as shown)



### Description

- ORGA-LINE flexible dividing system
- High quality stainless steel utensil dividers combined with wear resistant nylon parts in dust gray
- Removable, dishwasher safe cutlery trays
- For runner lengths of 500 mm (20") and 550 mm (22")

### Basic component



M D Height drawer

page 4B16

### Cutlery organizer kits

Runner length  
500 mm (20")  
550 mm (22")

ZSI500B11
ZSI550B11

Qty/box	1
---------	---

Runner length  
500 mm (20")

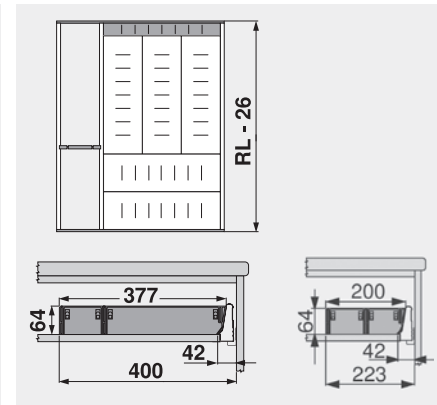
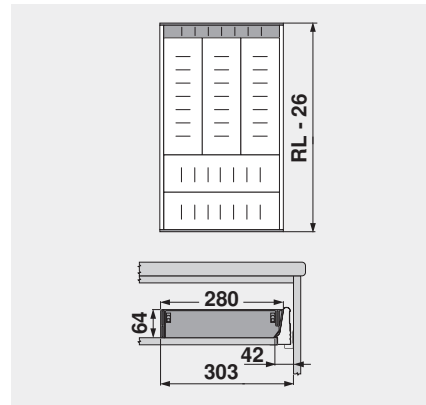
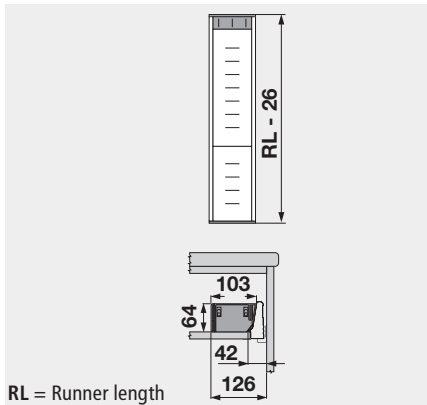
ZSI500B13
-----------

Qty/box	1
---------	---

Runner length  
500 mm (20")  
550 mm (22")

ZSI500K14
ZSI550K14

Qty/box	1
---------	---



CCRM 2018

I slides I

# TANDEMBOX

ORGA-LINE for TANDEMBOX

# Richelieu Section 4B

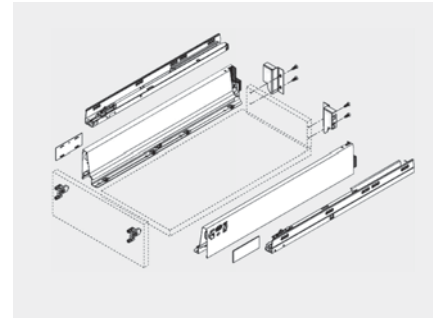
All dimensions in millimeters (inch equivalents as shown)



## Description

- ORGA-LINE flexible dividing system
- High quality stainless steel utensil dividers combined with wear resistant nylon parts in dust gray
- Removable, dishwasher safe cutlery trays
- For runner lengths of 500 mm (20") and 550 mm (22")

## Basic component



M D Height drawer

page 4B16

## Utensil organizer kits

Runner length  
500 mm (20")

**ZSI500F1**

Qty/box **1**

Runner length  
500 mm (20")  
550 mm (22")

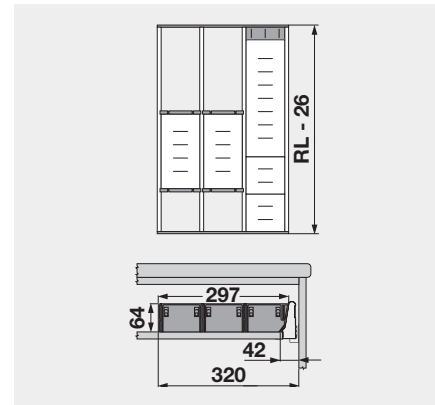
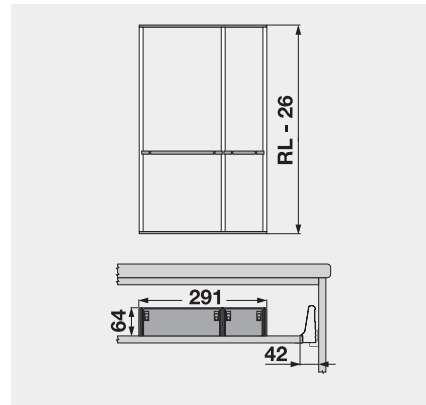
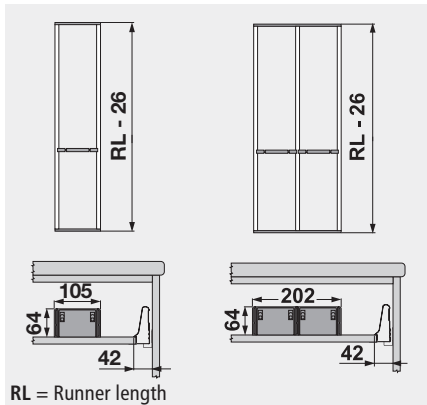
**ZSI500F3**  
**ZSI550F3**

Qty/box **1**

Runner length  
500 mm (20")  
550 mm (22")

**ZSI500MI3**  
**ZSI550MI3**

Qty/box **1**



CCRM 2018

- 1** SCREWS AND FASTENERS
- 2** FURNITURE EQUIPMENT
- 3** HINGES
- 4** SLIDES
- 5** CASTERS AND LEGS
- 6** KITCHEN SOLUTIONS
- 7** CLOSET SOLUTIONS
- 8** LIGHTING SOLUTIONS
- 9** SINKS AND FAUCETS
- 10** OFFICE
- 11** SLIDING DOORS SYSTEMS
- 12** GLASS HARDWARE
- 13** PANELS AND SURFACES
- 14** EDGE-BANDING
- 15** CABINET DOORS AND DRAWERS
- 16** MOLDINGS, CORBELS AND WINE CELLARS
- 17** GLUES, SILICONES, CAULK AND INSULATING
- 18** TOOLS AND SECURITY
- 19** FINISHING PRODUCTS AND ABRASIVES
- 20** COMMERCIAL DISPLAY AND HARDWARE
- 21** BUILDERS HARDWARE

# TANDEMBOX

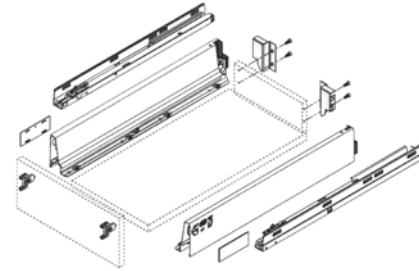
## ORGA-LINE for TANDEMBOX

All dimensions in millimeters (inch equivalents as shown)



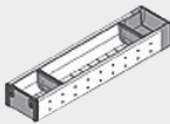
### Description

- ORGA-LINE flexible dividing system
- High quality stainless steel utensil dividers combined with wear resistant nylon parts in dust gray
- Removable, dishwasher safe cutlery trays
- For runner lengths of 500 mm (20") and 550 mm (22")



### Cutlery and utensil rack

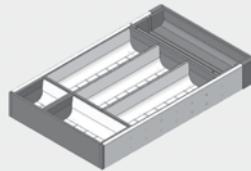
- Width: 108 mm
- Drawer Interior Width: 275 to 349 mm
- Depth: 500 mm
- Height: 65.5 mm



ZHI533BI1A

Qty/box 1

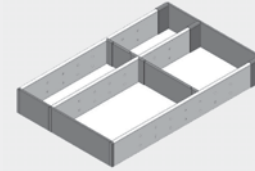
- Width: 285 mm
- Drawer Interior Width: 350 to 449 mm
- Depth: 500 mm
- Height: 65.5 mm



ZHI533BI3A

Qty/box 1

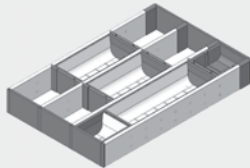
- Width: 293 mm
- Drawer Interior Width: 600 to 699 mm
- Depth: 500 mm
- Height: 65.5 mm



ZHI533FI3A

Qty/box 1

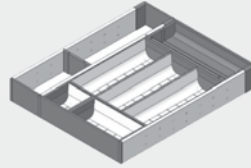
- Width: 302 mm
- Drawer Interior Width: 450 to 699 mm
- Depth: 500 mm
- Height: 65.5 mm



ZHI533MI3A

Qty/box 1

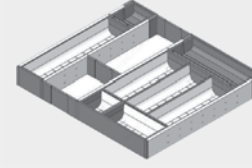
- Width: 381 mm
- Drawer Interior Width: 559 to 699 mm
- Depth: 500 mm
- Height: 65.5 mm



ZHI533KI4A

Qty/box 1

- Width: 512 mm
- Drawer Interior Width: 600 mm
- Depth: 500 mm
- Height: 65.5 mm



ZHI533TI5A

Qty/box 1

I slides I

# TANDEMBOX

ORGA-LINE for TANDEMBOX

Wide drawer applications

# Richelieu *blum* Section 4B

All dimensions in millimeters (inch equivalents as shown)



Width: 12"  
This configuration:  
2 x ZSI550B11



Width: 15"  
This configuration:  
2 x ZSI550B11



Width: 18"  
This configuration:  
1 x ZSI550B13



Width: 21"  
This configuration:  
1 x ZSI550B13  
1 x ZSI550F11



Width: 24"  
This configuration:  
1 x ZSI550B13  
1 x ZSI550F11



Width: 27"  
This configuration:  
1 x ZSI550B13  
1 x ZSI550F13



Width: 30"  
This configuration:  
2 x ZSI550B13  
1 x ZSI550F11



Accessories  
Non slide mat  
no. 47110150100

1  
SCREWS  
AND  
FASTENERS

2  
FURNITURE  
EQUIPMENT

3  
HINGES

4  
SLIDES

5  
CASTERS  
AND LEGS

6  
KITCHEN  
SOLUTIONS

7  
CLOSET  
SOLUTIONS

8  
LIGHTING  
SOLUTIONS

9  
SINKS  
AND  
FAUCETS

10  
OFFICE

11  
SLIDING  
DOORS  
SYSTEMS

12  
GLASS  
HARDWARE

13  
PANELS  
AND  
SURFACES

14  
EDGE-  
BANDING

15  
CABINET  
DOORS  
AND  
DRAWERS

16  
MOLDINGS,  
CORBELS  
AND WINE  
CELLARS

17  
GLUES,  
SILICONES,  
CAULK AND  
INSULATING

18  
TOOLS  
AND  
SECURITY

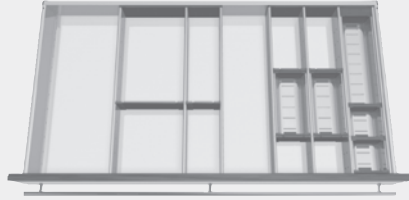
19  
FINISHING  
PRODUCTS  
AND  
ABRASIVES

20  
COMMERCIAL  
DISPLAY AND  
HARDWARE

21  
BUILDERS  
HARDWARE

### Wide drawer applications

36" / 39" / 42" wide cabinets

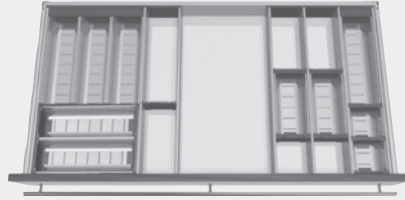


Runner length

500 mm (20")	ZSI500F13	+	ZSI500M13
550 mm (22")	ZSI550F13	+	ZSI550M13

### Wide drawer applications

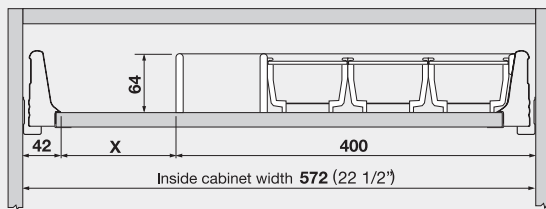
36" / 39" / 42" wide cabinets



Runner length

500 mm (20")	ZSI500K14	+	ZSI500M13
550 mm (22")	ZSI550K14	+	ZSI550M13

### Calculation of remaining space



**Example:**

Inside cabinet width is 572 mm (22-1/2")

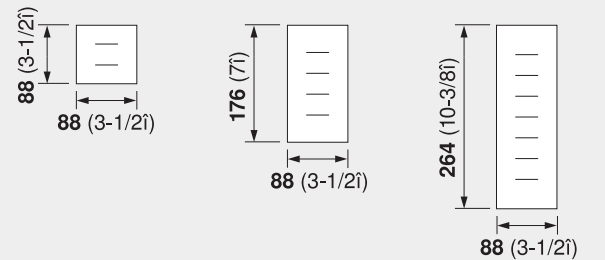
Cutlery kit installed is ZSI500K14

X = Inside cabinet width minus kit and 42 mm

X = 572 - 442 mm

X = 130 mm

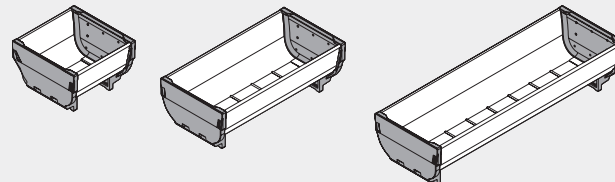
### Trays



ZSI1010SI

ZSI020SI

ZSI030SI



Trays

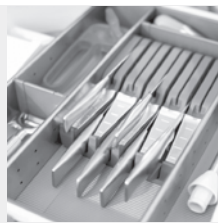
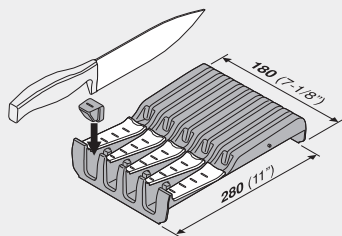
88 x 176 mm **ZSI020SI**

88 x 264 mm **ZSI030SI**

88 x 352 mm **ZSI040SI**

Qty/box **1**

### Knife holder

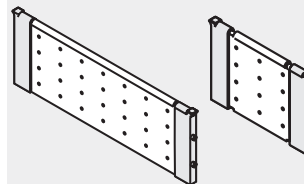


- Attaches to ORGA-LINE utensil set or drawer bottom with #6 wood screw
- Fits ORGA-LINE sets ZSI500F13 and ZSI550F13
- Holds up to 9 knives of different sizes
- Dishwasher safe to 175° F (80° C)
- Four handle supports\* for large knives

Knife holder **ZSZ02M0**

Qty/box **1**

### Dividers



Cross divider

88 mm **ZSI010Q**

176 mm **ZSI020Q**

Qty/box **1**



I slides I

# TANDEMBOX

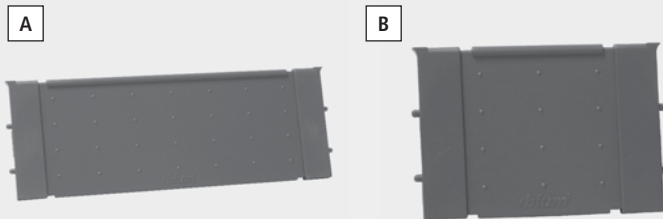
ORGA-LINE for TANDEMBOX

# Richelieu Section 4B

All dimensions in millimeters (inch equivalents as shown)

## Adjustable Cross Divider

- These adjustable cross dividers can be used to divide any Orgaline interior configuration, according to your needs



	Finish	Width	Height	
[A]	Stainless Steel	176 mm (6-15/16")	64 mm (2-17/32")	Z5I020Q
[B]	Gray	88 mm (3-15/32")	64 mm (2-17/32")	Z5I010Q
Qty/box				1

## Longitudinal Divider

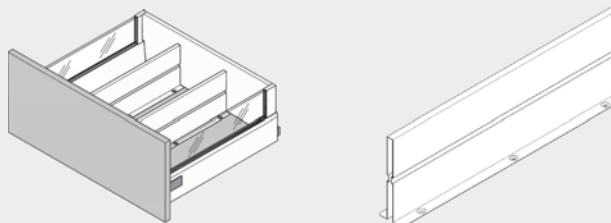
- The flexible uses of longitudinal dividers let you design the most effective storage configuration for your drawer unit  
- Use these separators for a good view, easy access to your items, and stable storage



Height	Thickness	
116 mm (4-9/16")	8 mm (5/16")	Z43L100170
Qty/box		1

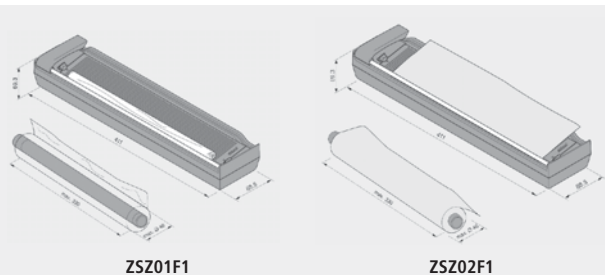
## Dividing Wall Intivo

- For maximum storage space and easy access to your products, opt for these dividing walls!  
- Installed in a drawer, they let you store your plates and baking pans vertically



Finish	Height	Thickness	Runner length	
Stainless Steel	151 mm (5-15/16")	12 mm (1/2")	500 mm (19-11/16")	Z46L470170
Stainless Steel	151 mm (5-15/16")	12 mm (1/2")	550 mm (21-5/8")	Z46L520170
Silk White	104 mm (4-11/32")	8 mm (5/16")	1077 mm (42-13/32")	Z40L1077A31
Nickel	104 mm (4-11/32")	8 mm (5/16")	1077 mm (42-13/32")	Z40L1077A180
Qty/box				1

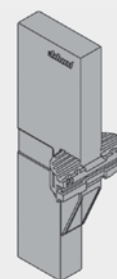
## Dispensers



- Also suitable for wood drawers and TANDEMBOX Intivo

Specification	Height	Length	
For Cling Film	69 mm (2-23/32")	411 mm (16-3/16")	ZSZ01F1
For Aluminum Foil	69 mm (2-23/32")	411 mm (16-3/16")	ZSZ02F1
Qty/box			1

## Cross Divider Connector



Finish	Actual length	Height	Width	
Dark Gray	38 mm (1-1/2")	114 mm (4-1/2")	37 mm (1-15/32")	Z40L0002106
Qty/box				1

- 1 SCREWS AND FASTENERS
- 2 FURNITURE EQUIPMENT
- 3 HINGES
- 4 SLIDES
- 5 CASTERS AND LEGS
- 6 KITCHEN SOLUTIONS
- 7 CLOSET SOLUTIONS
- 8 LIGHTING SOLUTIONS
- 9 SINKS AND FAUCETS
- 10 OFFICE
- 11 SLIDING DOORS SYSTEMS
- 12 GLASS HARDWARE
- 13 PANELS AND SURFACES
- 14 EDGE-BANDING
- 15 CABINET DOORS AND DRAWERS
- 16 MOLDINGS, CORBELS AND WINE CELLARS
- 17 GLUES, SILICONES, CAULK AND INSULATING
- 18 TOOLS AND SECURITY
- 19 FINISHING PRODUCTS AND ABRASIVES
- 20 COMMERCIAL DISPLAY AND HARDWARE
- 21 BUILDERS HARDWARE

All dimensions in millimeters (inch equivalents as shown)

**Tip-On Blumotion  
 Tandembox Slide**



**Description**

- Small front gap: Tip-On Blumotion can be adjusted to have a small front gap of 2.5 mm - meaning it is also ideal for kitchens.
- Four-dimensional adjustment: the four-dimensional adjustment ensures a precise gap layout. The integrated depth adjustment can be made tool-free using the adjustment wheel.
- Intelligent mechanics: Tip-On Blumotion is more user-friendly and gives you a choice - pull or push to open.
- Easy opening: lower opening forces and an even smoother transition to the feather-light glide improve performance from the moment you open the pull-out.
- Quality to the touch: you can feel the increased stability provided by the combination of the optimized drawer side and new front fixing bracket.
- Optimized feather-light glide: components in the drawer side and cabinet profile have been further developed to optimize the feather-glide of Tandembox and the smooth running action.
- No additional cabinet and drawer assembly: Tip-On Blumotion can be used with standard cabinets and fronts. There is no need for additional assembly (e.g., for recessed grips or handle strips).
- Easy assembly and adjustment: like most components, the Tip-On Blumotion unit is assembled tool-free.
- Optional synchronization: from a cabinet width of 300 mm, the motion is improved through the use of optional synchronization. Assembly is carried out tool-free.
- Precise front gap adjustment: the front gap can be conveniently adjusted to 2.5 mm using the gap checking/adjustment template, regardless of whether the front is already installed.

**Required Product**

**Setup Template for Tip-On Blumotion**

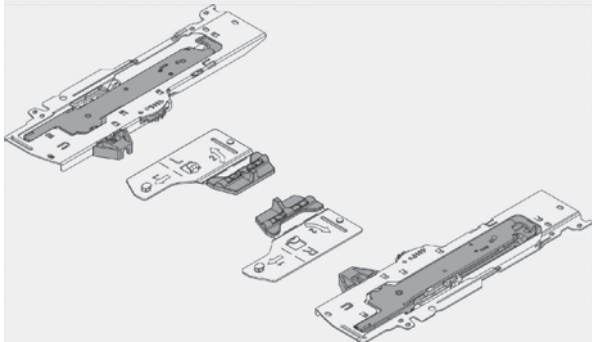


	<b>655627</b>
Qty/box	Per unit

Slide Length	30 kg	65 kg
270 mm	<b>5782701M</b>	-
300 mm	-	-
350 mm	<b>5783501M</b>	-
400 mm	<b>5784001M</b>	-
450 mm	<b>5784501M</b>	<b>5764501M</b>
500 mm	-	<b>5765001M</b>
550 mm	<b>5785501M</b>	<b>5765501M</b>
600 mm	-	<b>5766001M</b>
650 mm	-	<b>5766501M</b>

Qty/box	<b>1</b>
---------	----------

**Tip-On Blumotion Kits for Tandembox**



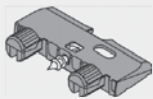
**Description**

The Tip-On Blumotion unit comes in different strengths, adapted to the load ranges and nominal lengths. Each variant has a different colour so that it can be easily identified. The driving plate pin is used universally for all Tip-on Blumotion units

Load Capacity	Slide Length	
<b>Max. 20 kg</b>	<b>350 to 650 mm (13-25/32 to 25-19/32")</b>	<b>T60B3330105</b>
<b>Max. 10 kg</b>	<b>270 mm (10-5/8")</b>	<b>T60B303030</b>
<b>10 to 20 kg</b>	<b>270 mm (10-5/8")</b>	<b>T60B3130105</b>
<b>15 to 40 kg</b>	<b>350 to 650 mm (13-25/32 to 25-19/32")</b>	<b>T60B3530100</b>
<b>35 to 65 kg</b>	<b>350 to 650 mm (13-25/32 to 25-19/32")</b>	<b>T60B356090</b>

Qty/box	<b>1</b>
---------	----------

**Tip-On Blumotion Accessories  
 Base Support Bracket**



	<b>Z962011</b>
Qty/box	Per unit

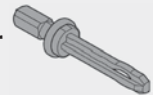
**Support for Synchronization  
 Linkage**



	<b>T60B000H</b>
Qty/box	Per unit

**Tip-On Blumotion  
 Synchronisation Adapter**

Minimum of 2 required per drawer



	<b>T60000D</b>
Qty/box	Per unit

**Base Support Bracket**



	<b>T60300D</b>
Qty/box	Per unit

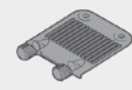
**Tip-On Blumotion  
 Synchronization Linkage**

**Important information**

- Recommended for cabinets of 400 mm and more.
- Suitable for cabinet widths up to 1400 mm
- For cutting to size

	<b>T601125W</b>
Qty/box	Per unit

**Front Stabilization**

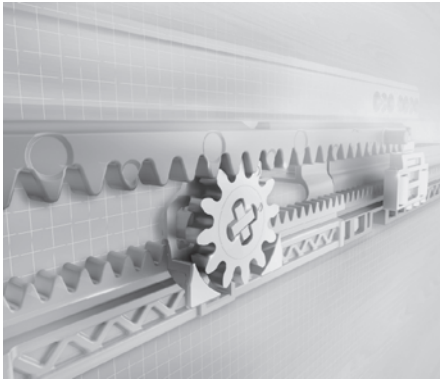


	<b>Z9610E1</b>
Qty/box	Per unit

I Slides I  
**MOVENTO**  
**Movento Full Extension**

**blum** **Richelieu Section 4C**

All dimensions in millimeters (inch equivalents as shown)



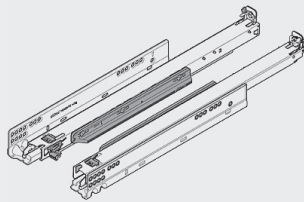
Taking another step forward with the new Movento runner system, which provides even more precise runner movement, smooth and synchronized running action, and new adjustment options. With Movento, the front can be adjusted in height and tilt, and lateral and depth adjustments are also possible.

**Advantages and benefits:**

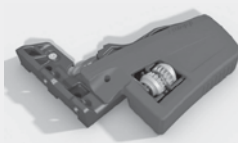
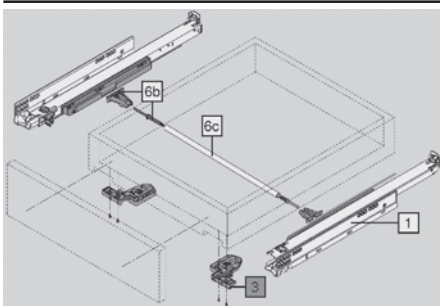
- A new quality of movement upon opening and closing
- New four-way adjustable comfort for precise placement
- Dynamic load capacity of 40 or 60 kg, high sag values, and high stability allow use in multiple applications
- Always uses the same installation position
- High quality for long furniture life

**Component Specifications**

Actual cabinet profile length	40 kg	Motion Technology	60 kg	Motion Technology
250 mm (9-27/32")	<b>760H2500B</b>	Blumotion	-	
270 mm (10-5/8")	<b>760H2700T</b>	Tip-On	-	
270 mm (10-5/8")	<b>760H2700B</b>	Blumotion	-	
300 mm (11-13/16")	<b>760H3000B</b>	Blumotion	-	
350 mm (13-25/32")	<b>760H3500B</b>	Blumotion	-	
350 mm (13-25/32")	<b>760H3500T</b>	Tip-On	-	
400 mm (15-3/4")	<b>760H4000B</b>	Blumotion	<b>766H6000B</b>	Blumotion
400 mm (15-3/4")	<b>760H4000T</b>	Tip-On	-	
450 mm (17-11/16")	<b>760H4500B</b>	Blumotion	<b>766H4500B</b>	Blumotion
450 mm (17-11/16")	<b>760H4500T</b>	Tip-On	-	
500 mm (19-11/16")	<b>760H5000B</b>	Blumotion	<b>766H5000B</b>	Blumotion
500 mm (19-11/16")	<b>760H5000T</b>	Tip-On	-	
550 mm (21-21/32")	<b>760H5500B</b>	Blumotion	-	
550 mm (21-21/32")	<b>760H5500T</b>	Tip-On	-	
550 mm (21-21/32")	-		<b>766H5500B</b>	Blumotion
600 mm (23-5/8")	<b>760H6000B</b>	Blumotion	-	
650 mm (25-19/32")	-		<b>766H6500B</b>	Blumotion
700 mm (27-9/16 in)	-		<b>766H7000B</b>	Blumotion
750 mm (29-17/32")	-		<b>766H7500B</b>	Blumotion
			Qty/box	<b>1 pair</b>



**Movento Slide Bracket**



Position		Qty/box
Left	<b>T51760102</b>	<b>1</b>
RIGHT	<b>T51760103</b>	<b>1</b>

- 1** SCREWS AND FASTENERS
- 2** FURNITURE EQUIPMENT
- 3** HINGES
- 4** SLIDES
- 5** CASTERS AND LEGS
- 6** KITCHEN SOLUTIONS
- 7** CLOSET SOLUTIONS
- 8** LIGHTING SOLUTIONS
- 9** SINKS AND FAUCETS
- 10** OFFICE
- 11** SLIDING DOORS SYSTEMS
- 12** GLASS HARDWARE
- 13** PANELS AND SURFACES
- 14** EDGE-BANDING
- 15** CABINET DOORS AND DRAWERS
- 16** MOLDINGS, CORBELS AND WINE CELLARS
- 17** GLUES, SILICONES, CAULK AND INSULATING
- 18** TOOLS AND SECURITY
- 19** FINISHING PRODUCTS AND ABRASIVES
- 20** COMMERCIAL DISPLAY AND HARDWARE
- 21** BUILDERS HARDWARE

# I Slides I MOVENTO

## Tip-On Blumotion - Accessories

# Richelieu blum Section 4C

All dimensions in millimeters (inch equivalents as shown)



Tip-On Blumotion combines the advantages of the Tip-On mechanical opening support system with the reliable Blumotion dampening for silent and effortless closing - 100% mechanically. It is possible to use Movento with this sophisticated motion technology from Blum.

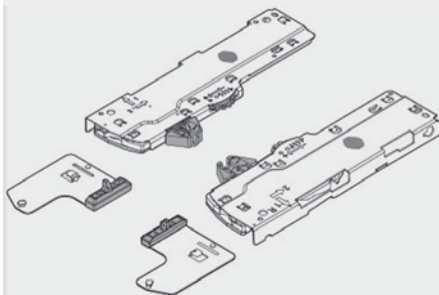
### Advantages and benefits:

- Small front gap; Tip-On Blumotion can be adjusted to have a small front gap of 2.5 mm, meaning it is also ideal for kitchens.
- 4-dimensional adjustment ensures a precise gap layout. The integrated depth adjustment can be made tool-free using the adjustment wheel.
- Reliable function; it is possible to pull to open or push to close with ease, and Tip-On Blumotion will remain fully functional.

Nominal length	40 kg	60 kg
270 mm (10-5/8")	760H2700M	-
300 mm (11-13/16")	760H3000M	-
350 mm (13-25/32")	760H3500M	-
400 mm (15-3/4")	760H4000M	-
450 mm (17-23/32")	760H4500M	766H4500M
500 mm (19-11/16")	760H5000M	766H5000M
550 mm (21-21/32")	760H5500M	766H5500M
600 mm (23-5/8")	760H6000M	766H6000M
650 mm (25-19/32")	-	766H6500M
700 mm (27 9/16 in)	-	766H7000M
750 mm (29-17/32")	-	766H7500M

Qty/box 1 pair

## Tip-On Blumotion Kits



### Included Product(s) in Kit:

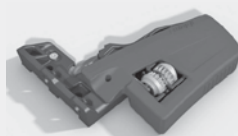
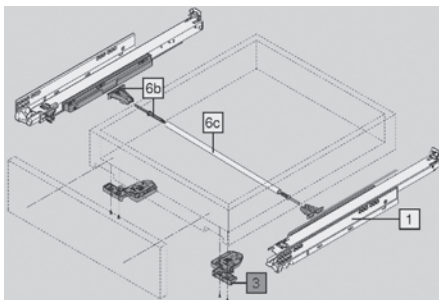
- Left/Right Tip-On Blumotion Units
- Left/Right Tip-On Blumotion Pinion

### Component Specifications

Load Capacity	Finish	Nominal length	
Max. 20 kg	Light Grey	350 to 750 mm (13-25/32 to 29-17/32")	T60L7340105
10 kg	White Finish	270 to 300 mm (10-5/8 to 11-13/16")	T60L7040030
10 to 20 kg	Light Grey	270 to 300 mm (10-5/8 to 11-13/16")	T60L7140105
15 to 40 kg	Dark Grey	350 to 750 mm (13-25/32 to 29-17/32")	T60L7540100
35 to 70 kg	Black	350 to 750 mm (13-25/32 to 29-17/32")	T60L7570090

Qty/box 1 kit

## Movento Slide Bracket



Position		Qty/box
Left	T51760102	1
RIGHT	T51760103	1

## Tip-On Blumotion Accessories

### Tip-On Blumotion Synchronization Linkage

#### Important information

- Recommended for cabinets of 400 mm and more.
- Suitable for cabinet widths up to 1400 mm
- For cutting to size

T601125W

Qty/box Per unit

### Tip-On Blumotion Synchronisation Adapter



Minimum of 2 required per drawer

T60000D

Qty/box Per unit

### Front Gap Template for Tip-On Blumotion Slides



655631

Qty/box Per unit

CCRM 2018

I Slides I

# METABOX Overview

All dimensions in millimeters (inch equivalents as shown)

**N Height**  
54 mm (2-1/8")

Single Extension  
Drawer  
N Height



**M Height**  
86 mm (3-3/8")

Single Extension  
Drawer  
M Height



**K Height**  
118 mm (4-5/8")

Single Extension  
Drawer  
K Height



**H Height**  
150 mm (5-7/8")

Single Extension  
Drawer  
H Height



**1**  
SCREWS  
AND  
FASTENERS

**2**  
FURNITURE  
EQUIPMENT

**3**  
HINGES

**4**  
SLIDES

**5**  
CASTERS  
AND LEGS

**6**  
KITCHEN  
SOLUTIONS

**7**  
CLOSET  
SOLUTIONS

**8**  
LIGHTING  
SOLUTIONS

**9**  
SINKS  
AND  
FAUCETS

**10**  
OFFICE

**11**  
SLIDING  
DOORS  
SYSTEMS

**12**  
GLASS  
HARDWARE

**13**  
PANELS  
AND  
SURFACES

**14**  
EDGE-  
BANDING

**15**  
CABINET  
DOORS  
AND  
DRAWERS

**16**  
MOLDINGS,  
CORBELS  
AND WINE  
CELLARS

**17**  
GLUES,  
SILICONES,  
CAULK AND  
INSULATING

**18**  
TOOLS  
AND  
SECURITY

**19**  
FINISHING  
PRODUCTS  
AND  
ABRASIVES

**20**  
COMMERCIAL  
DISPLAY AND  
HARDWARE

**21**  
BUILDERS  
HARDWARE

# METABOX

## Single Extension Drawer - N Height (54 mm (2-1/8"))

All dimensions in millimeters (inch equivalents as shown)

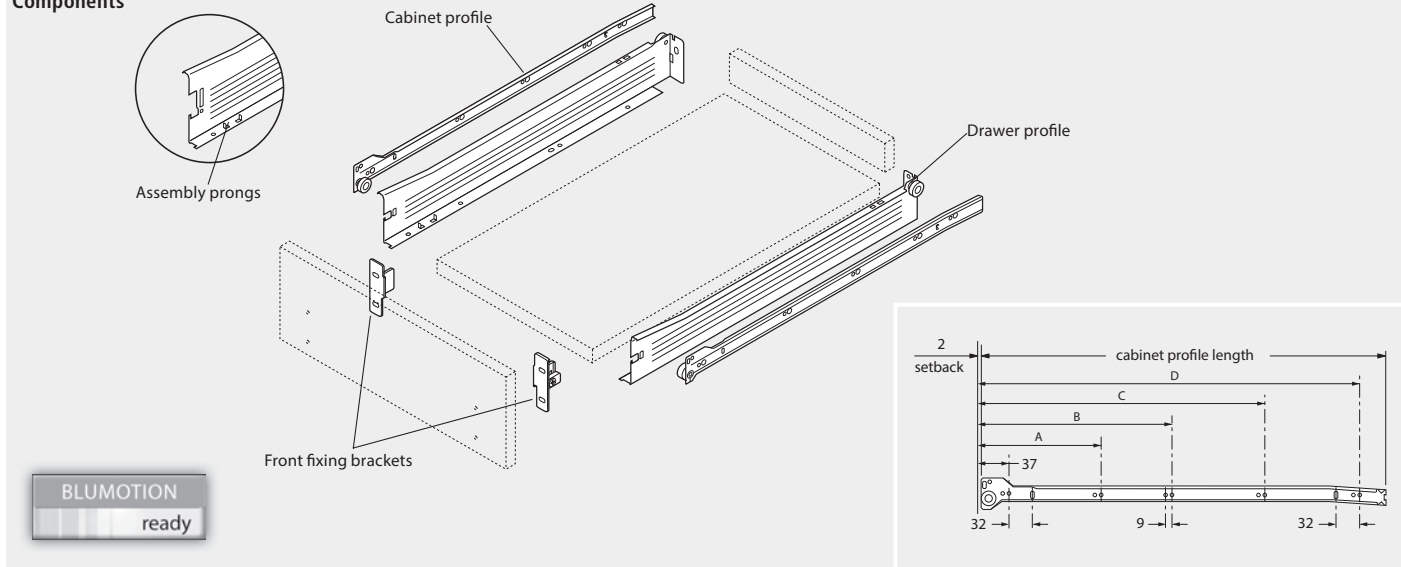


### Description

- Contemporary design
- Three-dimensional front adjustment
- Easy cam height adjustment
- Simple insertion and removal
- With BLUMATIC self-closing feature
- Single extension is available with BLUMOTION soft closing option

### Component Specifications

#### Components



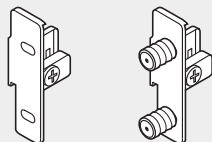
#### Runner sets

Includes cabinet and drawer profiles

Nominal length	Min. inside cabinet depth	Actual cabinet profile length	White	System screw mounting hole positions			
				A	B	C	D
14"	357 mm (14")	350 mm (13-3/4")	320N3500C1530	165	261	325	-
16"	407 mm (16")	400 mm (15-3/4")	320N4000C1530	165	261	357	-
18"	457 mm (17-15/16")	450 mm (17-11/16")	320N4500C1530	165	261	389	-
20"	507 mm (19-15/16")	500 mm (19-11/16")	320N5000C1530	165	261	389	453
22"	557 mm (21-7/8")	550 mm (21-5/8")	320N5500C1530	165	261	389	517

Qty/box **1 pair**

#### Standard Front Fixing Brackets



	Nickel	Qty/box
Screw-On	ZSF151002 (R)	1
	ZSF151003 (L)	1
Press-On	ZSF161002 (R)	1
	ZSF161003 (L)	1

I slides |

# METABOX

Single Extension Drawer - N Height (54 mm (2-1/8"))

**Richelieu**  
**blum** Section 4D

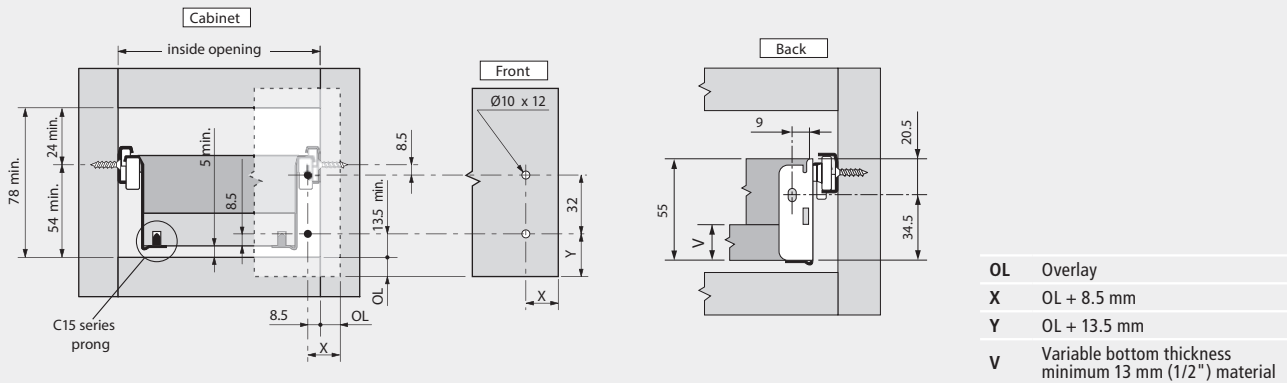
All dimensions in millimeters (inch equivalents as shown)



**METABOX**

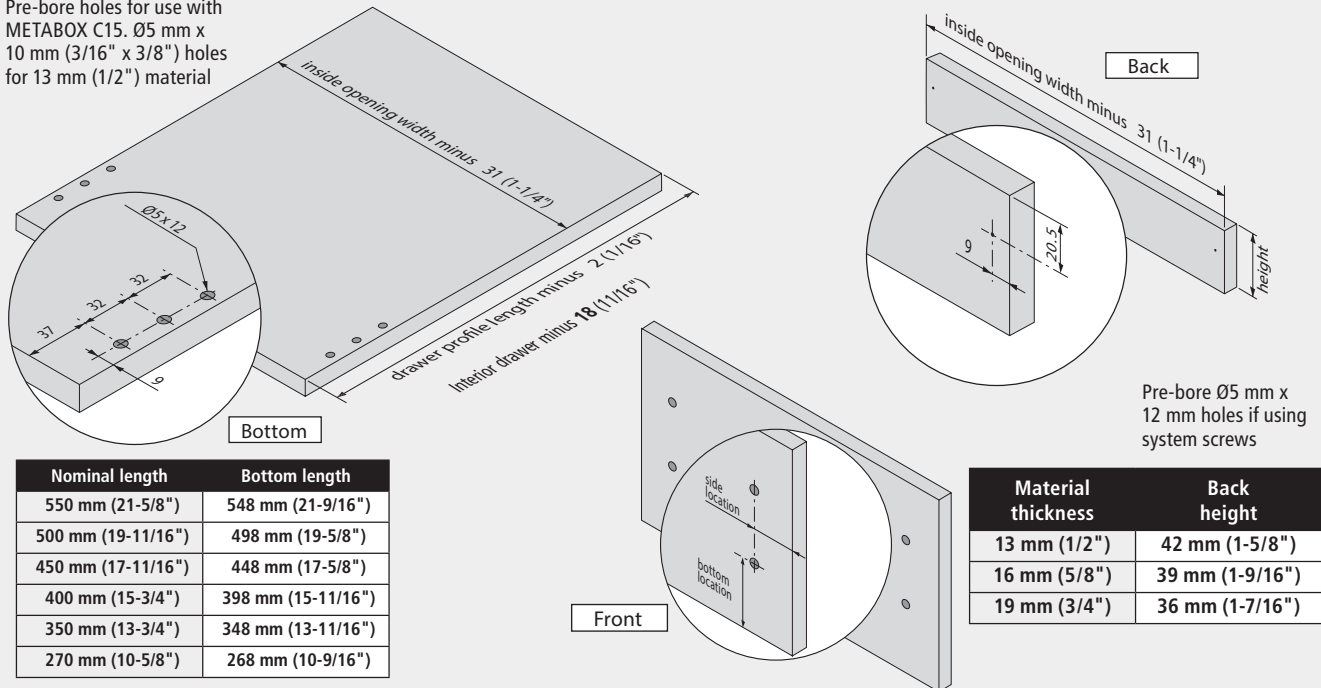
## Space Requirements and Installation Specifications

Installation specifications



## Specifications

Pre-bore holes for use with METABOX C15.  $\emptyset 5$  mm x 10 mm (3/16" x 3/8") holes for 13 mm (1/2") material



Bore  $\emptyset 10$  mm x 12 mm ( $\emptyset 3/8$ " x 1/2") hole for front fixing brackets with dowels

- 1 SCREWS AND FASTENERS
- 2 FURNITURE EQUIPMENT
- 3 HINGES
- 4 SLIDES
- 5 CASTERS AND LEGS
- 6 KITCHEN SOLUTIONS
- 7 CLOSET SOLUTIONS
- 8 LIGHTING SOLUTIONS
- 9 SINKS AND FAUCETS
- 10 OFFICE
- 11 SLIDING DOORS SYSTEMS
- 12 GLASS HARDWARE
- 13 PANELS AND SURFACES
- 14 EDGE-BANDING
- 15 CABINET DOORS AND DRAWERS
- 16 MOLDINGS, CORBELS AND WINE CELLARS
- 17 GLUES, SILICONES, CAULK AND INSULATING
- 18 TOOLS AND SECURITY
- 19 FINISHING PRODUCTS AND ABRASIVES
- 20 COMMERCIAL DISPLAY AND HARDWARE
- 21 BUILDERS HARDWARE

# METABOX

Single Extension Drawer - M Height (86 mm (3-3/8"))

All dimensions in millimeters (inch equivalents as shown)

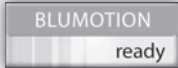
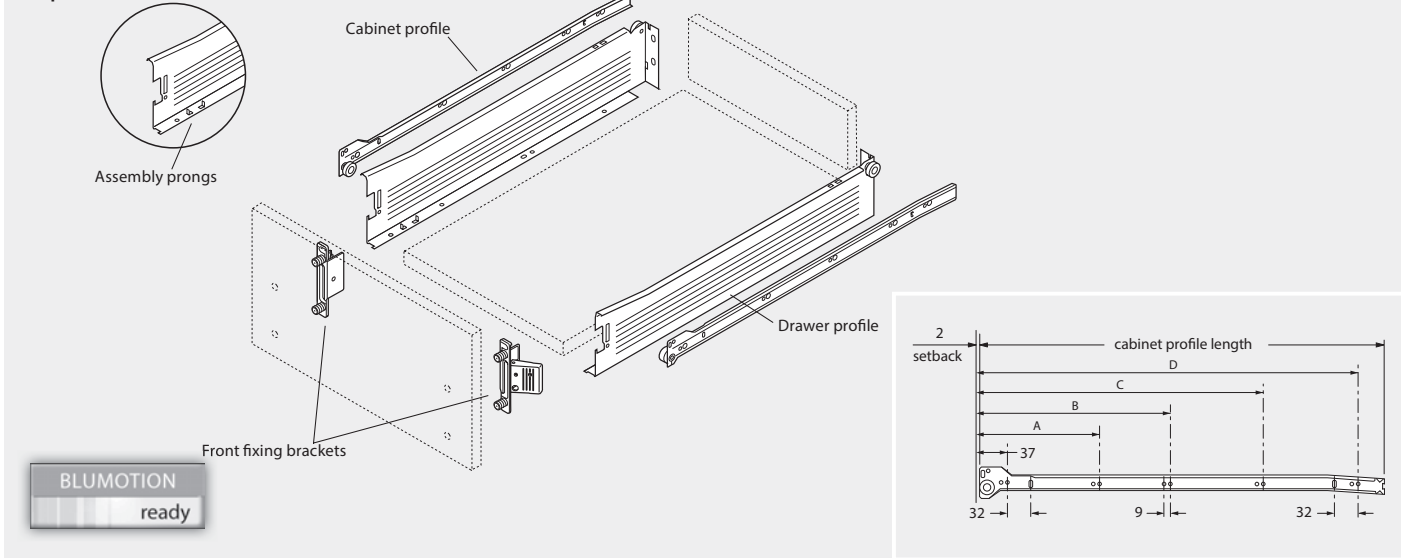


### Description

- Contemporary design
- Three-dimensional front adjustment
- Easy cam height adjustment
- Simple insertion and removal
- With BLUMATIC self-closing feature
- Single extension is available with BLUMOTION soft closing option

### Component Specifications

#### Components



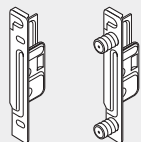
#### Runner sets

Includes cabinet and drawer profiles

Nominal length	Min. inside cabinet depth	Actual cabinet profile length	White	System screw mounting hole positions			
				A	B	C	D
11"	277 mm (10-7/8")	270 mm (10-5/8")	320M2700C1530	229	-	-	-
14"	357 mm (14")	350 mm (13-3/4")	320M3500C1530	165	261	325	-
16"	407 mm (16")	400 mm (15-3/4")	320M4000C1530	165	261	357	-
18"	457 mm (17-15/16")	450 mm (17-11/16")	320M4500C1530	165	261	389	-
20"	507 mm (19-15/16")	500 mm (19-11/16")	320M5000C1530	165	261	389	453
22"	557 mm (21-7/8")	550 mm (21-5/8")	320M5500C1530	165	261	389	517

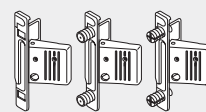
Qty/box 1 pair

#### Standard Front Fixing Brackets



	Nickel	Qty/box
Screw-On	ZSF170004 (R)	1
	ZSF170005 (L)	1
Press-On	ZSF180004 (R)	1
	ZSF180005 (L)	1

#### CLIP Front Fixing Brackets



	Nickel	Qty/box
Screw-On	ZSF120004 (R)	1
	ZSF120005 (L)	1
Press-On	ZSF130004 (R)	1
	ZSF130005 (L)	1
EXPANDO	ZSF130E04 (R)	1
	ZSF130E05 (L)	1

#### Standard Cover Cap



White	ZAA350030
Qty/box	1 pair

CCRM 2018



I slides I

# METABOX

Single Extension Drawer - M Height (86 mm (3-3/8"))

# Richelieu blum Section 4D

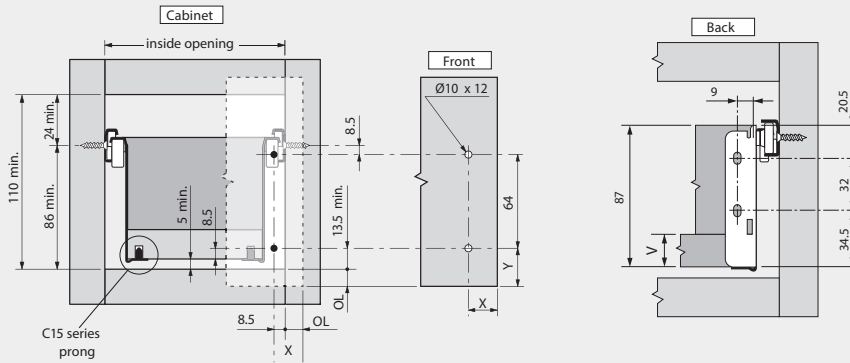
All dimensions in millimeters (inch equivalents as shown)



**METABOX**

## Space Requirements and Installation Specifications

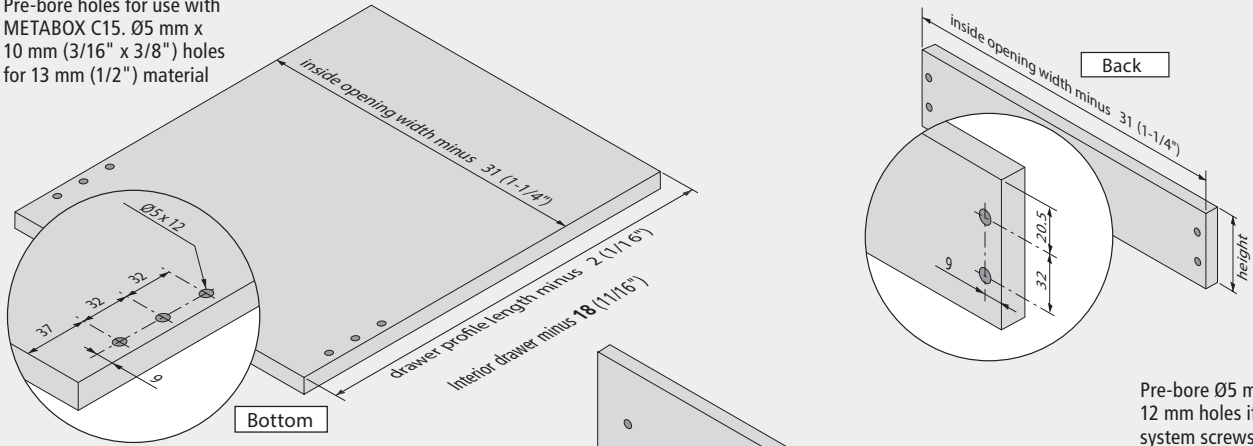
### Installation specifications



- OL Overlay
- X OL + 8.5 mm
- Y OL + 13.5 mm
- V Variable bottom thickness minimum 13 mm (1/2") material

### Specifications

Pre-bore holes for use with METABOX C15. Ø5 mm x 10 mm (3/16" x 3/8") holes for 13 mm (1/2") material



Pre-bore Ø5 mm x 12 mm holes if using system screws

Nominal length	Bottom length
550 mm (21-5/8")	548 mm (21-9/16")
500 mm (19-11/16")	498 mm (19-5/8")
450 mm (17-11/16")	448 mm (17-5/8")
400 mm (15-3/4")	398 mm (15-11/16")
350 mm (13-3/4")	348 mm (13-11/16")
270 mm (10-5/8")	268 mm (10-9/16")

Material thickness	Back height
13 mm (1/2")	74 mm (2-15/16")
16 mm (5/8")	71 mm (2-13/16")
19 mm (3/4")	68 mm (2-11/16")

Bore Ø10 mm x 12 mm (Ø3/8" x 1/2") hole for front fixing brackets with dowels

CCRM 2018

- 1 SCREWS AND FASTENERS
- 2 FURNITURE EQUIPMENT
- 3 HINGES
- 4 SLIDES
- 5 CASTERS AND LEGS
- 6 KITCHEN SOLUTIONS
- 7 CLOSET SOLUTIONS
- 8 LIGHTING SOLUTIONS
- 9 SINKS AND FAUCETS
- 10 OFFICE
- 11 SLIDING DOORS SYSTEMS
- 12 GLASS HARDWARE
- 13 PANELS AND SURFACES
- 14 EDGE-BANDING
- 15 CABINET DOORS AND DRAWERS
- 16 MOLDINGS, CORBELS AND WINE CELLARS
- 17 GLUES, SILICONES, CAULK AND INSULATING
- 18 TOOLS AND SECURITY
- 19 FINISHING PRODUCTS AND ABRASIVES
- 20 COMMERCIAL DISPLAY AND HARDWARE
- 21 BUILDERS HARDWARE

# METABOX

Single Extension Drawer - K Height (118 mm (4-5/8"))

All dimensions in millimeters (inch equivalents as shown)

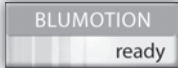
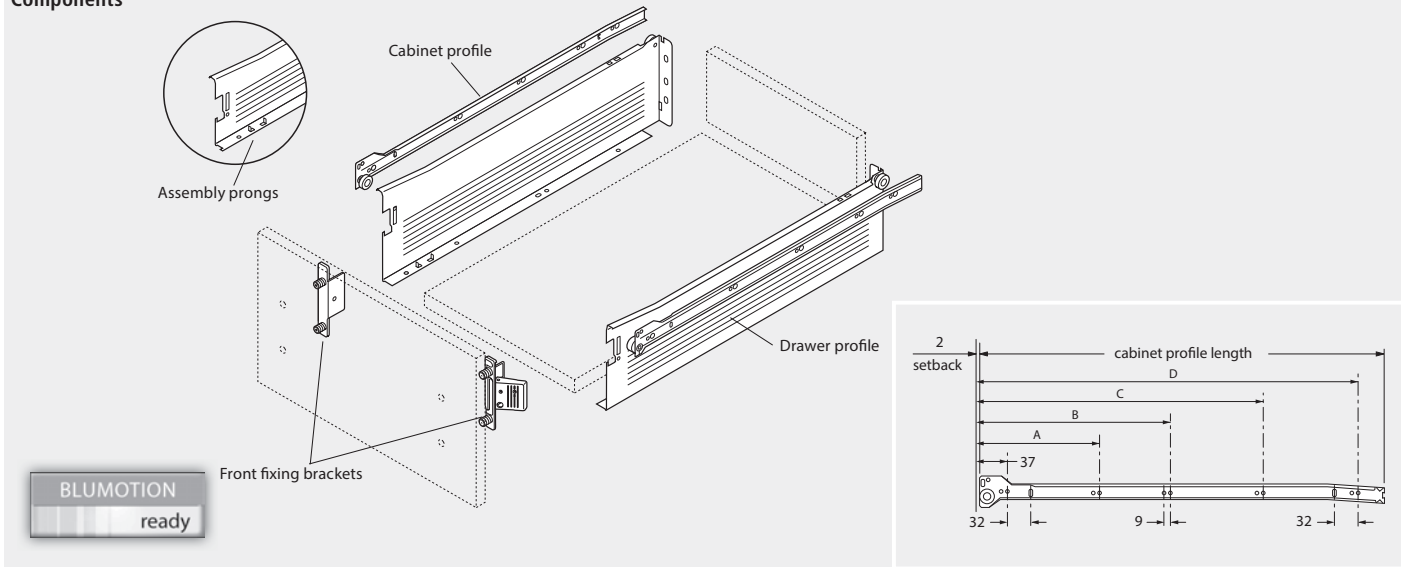


### Description

- Contemporary design
- Three-dimensional front adjustment
- Easy cam height adjustment
- Simple insertion and removal
- With BLUMATIC self-closing feature
- Single extension is available with BLUMOTION soft closing option

### Component Specifications

#### Components

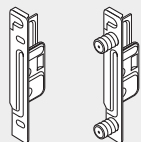


#### Runner sets

Includes cabinet and drawer profiles

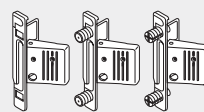
Nominal length	Min. inside cabinet depth	Actual cabinet profile length	White	System screw mounting hole positions				Qty/box	1 pair
				A	B	C	D		
14"	357 mm (14")	350 mm (13-3/4")	320K3500C1530	165	261	-	-		
16"	407 mm (16")	400 mm (15-3/4")	320K4000C1530	165	261	357	-		
18"	457 mm (17-15/16")	450 mm (17-11/16")	320K4500C1530	165	261	389	-		
20"	507 mm (19-15/16")	500 mm (19-11/16")	320K5000C1530	165	261	389	453		
22"	557 mm (21-7/8")	550 mm (21-5/8")	320K5500C1530	165	261	389	517		

#### Standard Front Fixing Brackets



	Nickel	Qty/box
Screw-On	ZSF170004 (R)	1
	ZSF170005 (L)	1
Press-On	ZSF180004 (R)	1
	ZSF180005 (L)	1

#### CLIP Front Fixing Brackets



	Nickel	Qty/box
Screw-On	ZSF120004 (R)	1
	ZSF120005 (L)	1
Press-On	ZSF130004 (R)	1
	ZSF130005 (L)	1
EXPANDO	ZSF130E04 (R)	1
	ZSF130E05 (L)	1

#### Standard Cover Cap



White	ZAA350030
Qty/box	1 pair

CCRM 2018

# METABOX

## Single Extension Drawer - K Height (118 mm (4-5/8"))

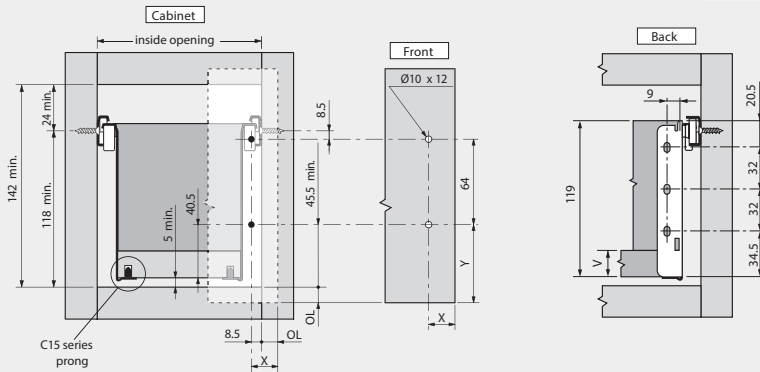
All dimensions in millimeters (inch equivalents as shown)



**METABOX**

### Space Requirements and Installation Specifications

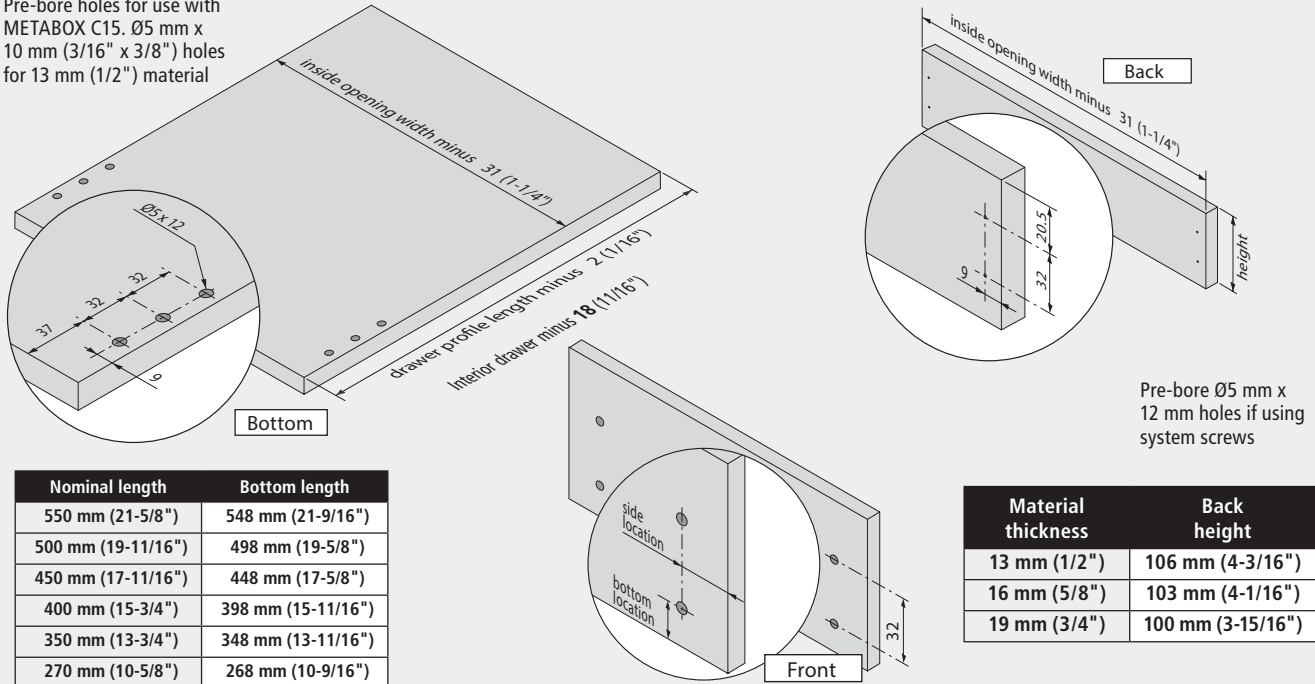
#### Installation specifications



- OL Overlay
- X OL + 8.5 mm
- Y OL + 13.5 mm
- V Variable bottom thickness minimum 13 mm (1/2") material

#### Specifications

Pre-bore holes for use with METABOX C15. Ø5 mm x 10 mm (3/16" x 3/8") holes for 13 mm (1/2") material



Nominal length	Bottom length
550 mm (21-5/8")	548 mm (21-9/16")
500 mm (19-11/16")	498 mm (19-5/8")
450 mm (17-11/16")	448 mm (17-5/8")
400 mm (15-3/4")	398 mm (15-11/16")
350 mm (13-3/4")	348 mm (13-11/16")
270 mm (10-5/8")	268 mm (10-9/16")

Material thickness	Back height
13 mm (1/2")	106 mm (4-3/16")
16 mm (5/8")	103 mm (4-1/16")
19 mm (3/4")	100 mm (3-15/16")

Bore Ø10 mm x 12 mm (Ø3/8" x 1/2") hole for front fixing brackets with dowels

CCRM 2018

- 1 SCREWS AND FASTENERS
- 2 FURNITURE EQUIPMENT
- 3 HINGES
- 4 SLIDES
- 5 CASTERS AND LEGS
- 6 KITCHEN SOLUTIONS
- 7 CLOSET SOLUTIONS
- 8 LIGHTING SOLUTIONS
- 9 SINKS AND FAUCETS
- 10 OFFICE
- 11 SLIDING DOORS SYSTEMS
- 12 GLASS HARDWARE
- 13 PANELS AND SURFACES
- 14 EDGE-BANDING
- 15 CABINET DOORS AND DRAWERS
- 16 MOLDINGS, CORBELS AND WINE CELLARS
- 17 GLUES, SILICONES, CAULK AND INSULATING
- 18 TOOLS AND SECURITY
- 19 FINISHING PRODUCTS AND ABRASIVES
- 20 COMMERCIAL DISPLAY AND HARDWARE
- 21 BUILDERS HARDWARE

# METABOX

## Single Extension Drawer - H Height (150 mm (5-7/8"))

All dimensions in millimeters (inch equivalents as shown)

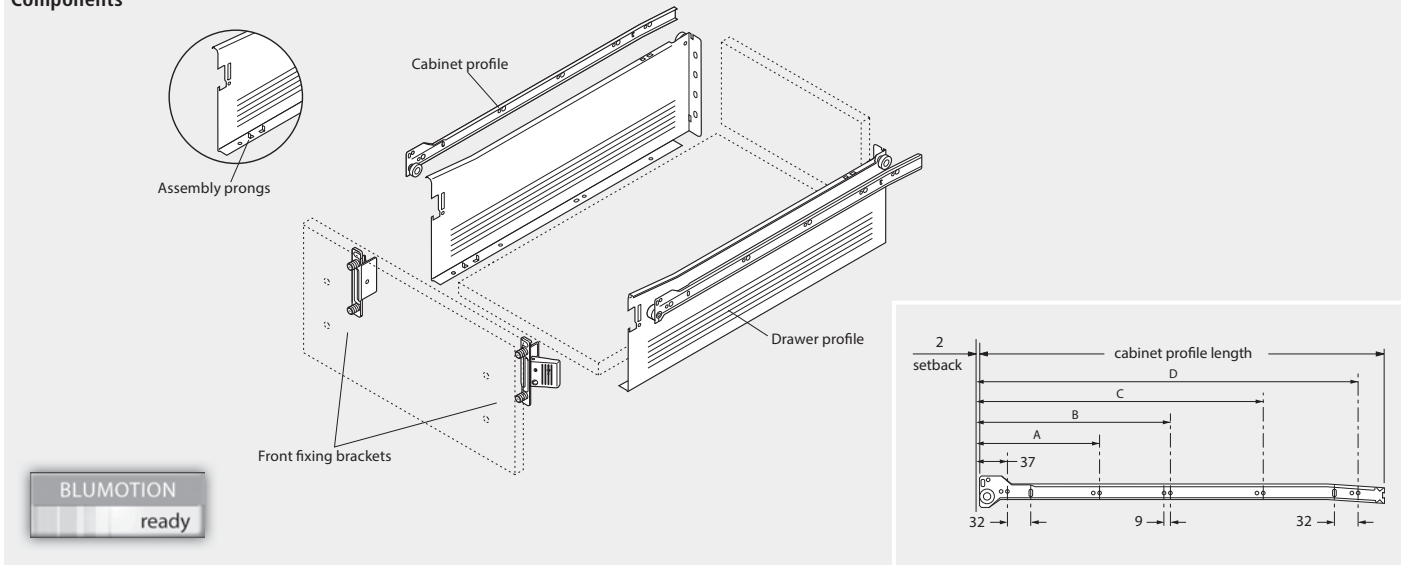


### Description

- Contemporary design
- Three-dimensional front adjustment
- Easy cam height adjustment
- Simple insertion and removal
- With BLUMATIC self-closing feature
- Single extension is available with BLUMOTION soft closing option

### Component Specifications

#### Components

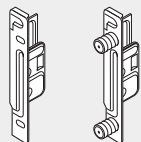


#### Runner sets

Includes cabinet and drawer profiles

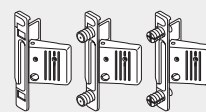
Nominal length	Min. inside cabinet depth	Actual cabinet profile length	White	System screw mounting hole positions				Qty/box	1 pair
				A	B	C	D		
14"	357 mm (14")	350 mm (13-3/4")	320H3500C1530	165	261	325	-		
16"	407 mm (16")	400 mm (15-3/4")	320H4000C1530	165	261	357	-		
18"	457 mm (17-15/16")	450 mm (17-11/16")	320H4500C1530	165	261	389	-		
20"	507 mm (19-15/16")	500 mm (19-11/16")	320H5000C1530	165	261	389	453		
22"	557 mm (21-7/8")	550 mm (21-5/8")	320H5500C1530	165	261	389	517		

#### Standard Front Fixing Brackets



	Nickel	Qty/box
Screw-On	ZSF170004 (R)	1
	ZSF170005 (L)	1
Press-On	ZSF180004 (R)	1
	ZSF180005 (L)	1

#### CLIP Front Fixing Brackets



	Nickel	Qty/box
Screw-On	ZSF120004 (R)	1
	ZSF120005 (L)	1
Press-On	ZSF130004 (R)	1
	ZSF130005 (L)	1
EXPANDO	ZSF130E04 (R)	1
	ZSF130E05 (L)	1

#### Standard Cover Cap



White	ZAA350030
Qty/box	1 pair

CCRM 2018

I slides |

# METABOX

Single Extension Drawer - H Height (150 mm (5-7/8"))

# Richelieu blum Section 4D

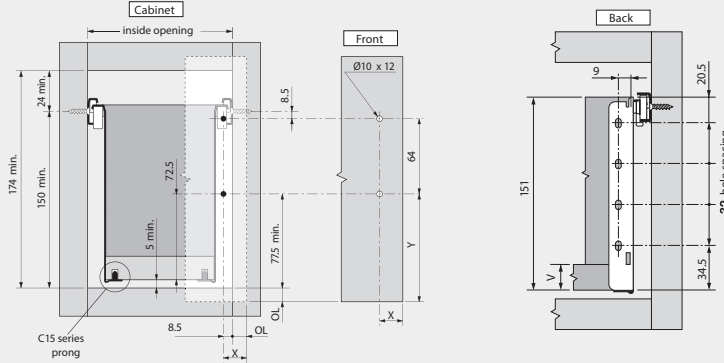
All dimensions in millimeters (inch equivalents as shown)



**METABOX**

## Space Requirements and Installation Specifications

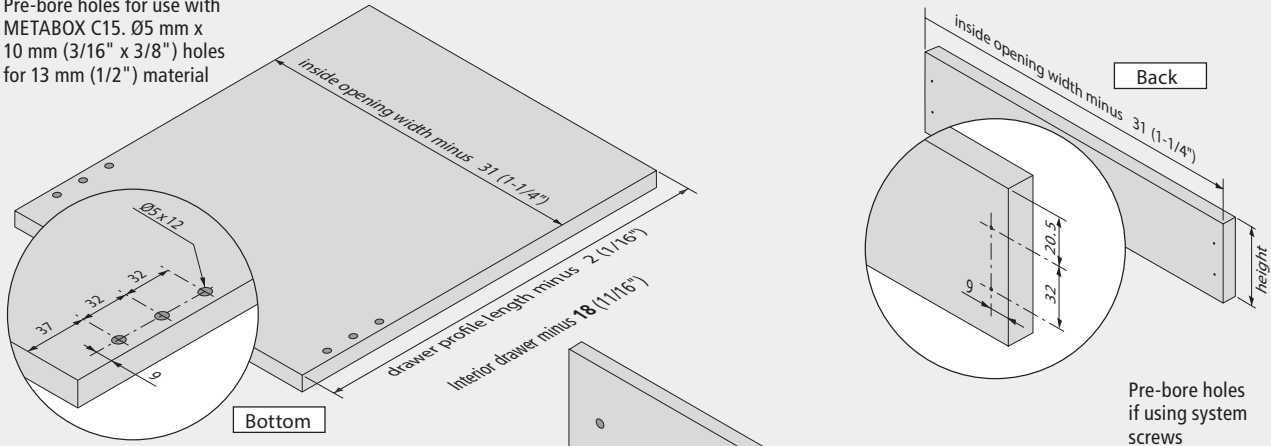
Installation specifications



- OL Overlay
- X OL + 8.5 mm
- Y OL + 13.5 mm
- V Variable bottom thickness minimum 13 mm (1/2") material

## Specifications

Pre-bore holes for use with METABOX C15. Ø5 mm x 10 mm (3/16" x 3/8") holes for 13 mm (1/2") material



Nominal length	Bottom length
550 mm (21-5/8")	548 mm (21-9/16")
500 mm (19-11/16")	498 mm (19-5/8")
450 mm (17-11/16")	448 mm (17-5/8")
400 mm (15-3/4")	398 mm (15-11/16")
350 mm (13-3/4")	348 mm (13-11/16")
270 mm (10-5/8")	268 mm (10-9/16")

Material thickness	Back height
13 mm (1/2")	138 mm (5-7/16")
16 mm (5/8")	135 mm (5-5/16")
19 mm (3/4")	132 mm (5-3/16")

Bore Ø10 mm x 12 mm (Ø3/8" x 1/2") hole for front fixing brackets with dowels

CCRM 2018

- 1 SCREWS AND FASTENERS
- 2 FURNITURE EQUIPMENT
- 3 HINGES
- 4 SLIDES
- 5 CASTERS AND LEGS
- 6 KITCHEN SOLUTIONS
- 7 CLOSET SOLUTIONS
- 8 LIGHTING SOLUTIONS
- 9 SINKS AND FAUCETS
- 10 OFFICE
- 11 SLIDING DOORS SYSTEMS
- 12 GLASS HARDWARE
- 13 PANELS AND SURFACES
- 14 EDGE-BANDING
- 15 CABINET DOORS AND DRAWERS
- 16 MOLDINGS, CORBELS AND WINE CELLARS
- 17 GLUES, SILICONES, CAULK AND INSULATING
- 18 TOOLS AND SECURITY
- 19 FINISHING PRODUCTS AND ABRASIVES
- 20 COMMERCIAL DISPLAY AND HARDWARE
- 21 BUILDERS HARDWARE



# I slides I

## TANDEM

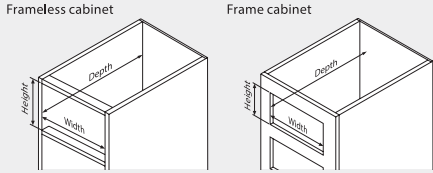
### Overview

# blum Richelieu Section 4E

All dimensions in millimeters (inch equivalents as shown)

#### Step 1: Measure cabinet opening

Cabinet opening measurements are needed to determine drawer box size.

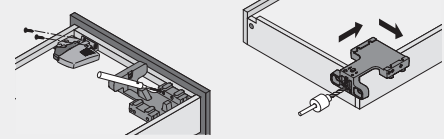


#### Step 2: Select TANDEM runners

Choose the TANDEM runner that best fits your desired application, drawer side thickness, load capacity and cabinet depth. Then go to the corresponding catalog page for more specific information.

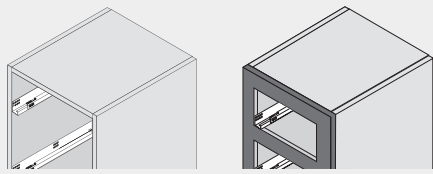
#### Step 3: Preparing drawer boxes

Build drawers according to the specifications given for the TANDEM runners you chose and the measurements determined in Step 1. Install appropriate locking devices and bore holes to accept rear hooks.



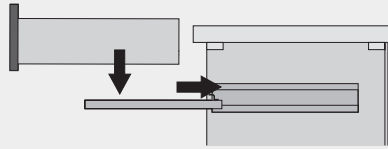
#### Step 4: Attach runners to cabinet

Using the mounting information given for the TANDEM runners you chose, mount the TANDEM runners in the cabinet.



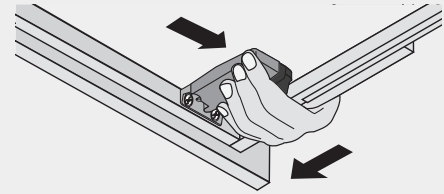
#### Step 5: Insert drawers

Extend the runners fully. Place the drawer on the runners and close. The locking devices automatically engage with the runners. Make adjustments if necessary.



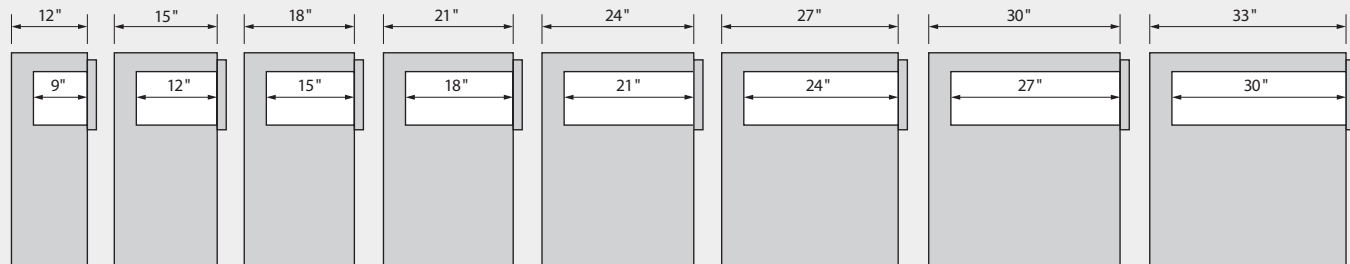
#### Step 3: Drawer removal

Squeeze orange handles on locking devices and pull drawer straight out and up.



Drawer length	Single extension with BLUMOTION	Full extension
	Maximum drawer thickness	Maximum drawer thickness
270 mm (10-5/8")	5/8"	5/8"
350 mm (13-3/4")	550H	560H
400 mm (15-3/4")	-	560H
500 mm (19-3/4")	-	560H
Dynamic load rating	30 kg	30 kg

#### Standard lengths



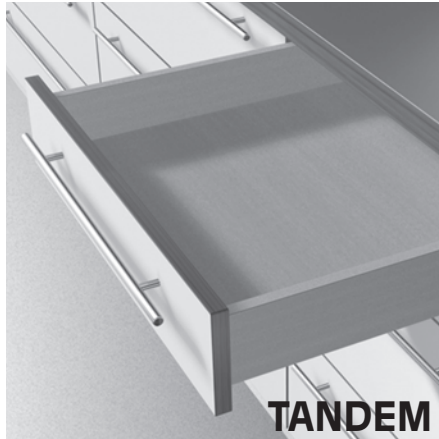
TANDEM series runners are based on the American standard 3" cabinet depth system, therefore runner lengths are in 3" increments. TANDEM plus runners are available for drawers from 9" to 30" in length.

- 1 SCREWS AND FASTENERS
- 2 FURNITURE EQUIPMENT
- 3 HINGES
- 4 SLIDES
- 5 CASTERS AND LEGS
- 6 KITCHEN SOLUTIONS
- 7 CLOSET SOLUTIONS
- 8 LIGHTING SOLUTIONS
- 9 SINKS AND FAUCETS
- 10 OFFICE
- 11 SLIDING DOORS SYSTEMS
- 12 GLASS HARDWARE
- 13 PANELS AND SURFACES
- 14 EDGE-BANDING
- 15 CABINET DOORS AND DRAWERS
- 16 MOLDINGS, CORBELS AND WINE CELLARS
- 17 GLUES, SILICONES, CAULK AND INSULATING
- 18 TOOLS AND SECURITY
- 19 FINISHING PRODUCTS AND ABRASIVES
- 20 COMMERCIAL DISPLAY AND HARDWARE
- 21 BUILDERS HARDWARE

# TANDEM

## 550H Concealed Single-Extension Drawer Runners

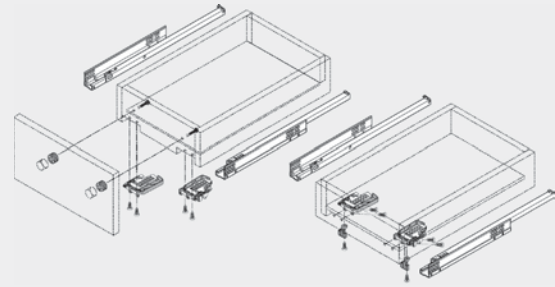
All dimensions in millimeters  
(inch equivalents as shown)



### Description

Concealed, single-extension TANDEM runner with a 30 kg load capacity.

- Concealed roller carriage mechanism with permanently lubricated synthetic rollers
- Blumatic spring loaded self-closing action
- Locking devices provide automatic latching, easy release for drawer removal, and tool-free height adjustment
- Force-guided right side and 1/16" left side tolerance compensation
- 30 kg dynamic load rating
- For drawer sides 5/8" thick



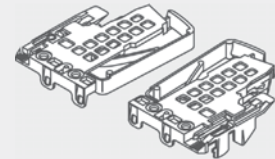
### Component Specifications

Slide length	with BLUMOTION
270 mm (10-5/8")	<b>550H5000B</b>
300 mm (11-13/16")	<b>550H3000B</b>
350 mm (13-3/4")	<b>550H3500B</b>
400 mm (15-3/4")	<b>550H4000B</b>
450 mm (17-3/4")	<b>550H4500B</b>
550 mm (21-5/8")	<b>550H5500B</b>
Qty/box	<b>12 pairs</b>

### Locking Device for Standard Applications

For standard applications.

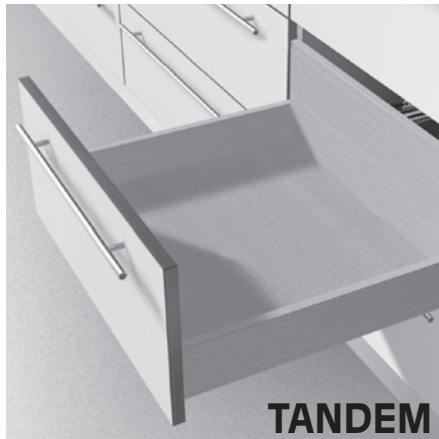
- Force-guided right device and self-adjusting tolerance on the left side
- Self-adjusting drawer length tolerance
- Die-cast zinc with synthetic spring-loaded release levers
- Tool-free drawer height adjustment of positive 3 mm (1/8")



Right	<b>51170002</b>
Left	<b>51170003</b>

Qty/box **100**

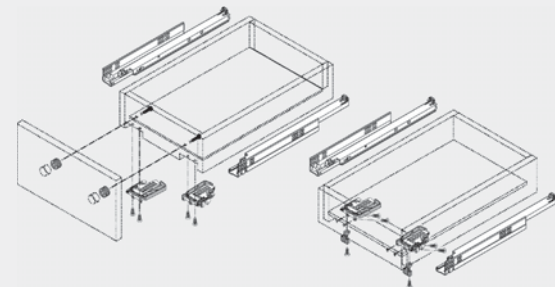
## 560H Concealed Single-Extension Drawer Runners



### Description

Concealed full-extension TANDEM drawer runners with integrated BLUMOTION option.

- Zinc-coated steel
- Concealed roller carriage mechanism with permanently lubricated synthetic rollers
- Locking devices for automatic latching, easy release for drawer removal, and tool-free height adjustment
- 30 kg dynamic load rating
- For drawer sides 5/8" thick



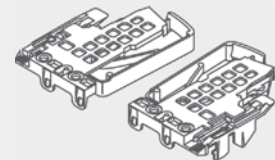
### Component Specifications

Slide length	with BLUMOTION
270 mm (10-5/8")	<b>560H2700B</b>
300 mm (11-13/16")	<b>560H3000B</b>
350 mm (13-3/4")	<b>560H3500B</b>
400 mm (15-3/4")	<b>560H4000B</b>
450 mm (17-3/4")	<b>560H4500B</b>
500 mm (19-3/4")	<b>560H5000B</b>
550 mm (21-5/8")	<b>560H5500B</b>
Qty/box	<b>12 pairs</b>

### Locking Device for Standard Applications

For standard applications.

- Force-guided right device and self-adjusting tolerance on the left side
- Self-adjusting drawer length tolerance
- Die-cast zinc with synthetic spring-loaded release levers
- Tool-free drawer height adjustment of positive 3 mm (1/8")



Right	<b>51170002</b>
Left	<b>51170003</b>

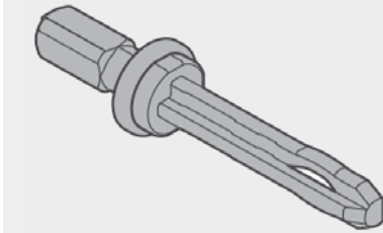
Qty/box **100**

CCRM 2018



I slides I  
**TANDEM**  
 Accessories

Tip-On Blumotion synchronisation adapter



**T60000D**

Qty/box **1**

**TANDEM Side Spacer**

TANDEM side spacer for adding clearance between TANDEM and TANDEMBOX runners and the cabinet sides with interior pull-outs. Can be used with all series 550 and 560 runner lengths.



**59357012**

Qty/box **1**

- 1** SCREWS AND FASTENERS
- 2** FURNITURE EQUIPMENT
- 3** HINGES
- 4** SLIDES
- 5** CASTERS AND LEGS
- 6** KITCHEN SOLUTIONS
- 7** CLOSET SOLUTIONS
- 8** LIGHTING SOLUTIONS
- 9** SINKS AND FAUCETS
- 10** OFFICE
- 11** SLIDING DOORS SYSTEMS
- 12** GLASS HARDWARE
- 13** PANELS AND SURFACES
- 14** EDGE-BANDING
- 15** CABINET DOORS AND DRAWERS
- 16** MOLDINGS, CORBELS AND WINE CELLARS
- 17** GLUES, SILICONES, CAULK AND INSULATING
- 18** TOOLS AND SECURITY
- 19** FINISHING PRODUCTS AND ABRASIVES
- 20** COMMERCIAL DISPLAY AND HARDWARE
- 21** BUILDERS HARDWARE



# I slides I

## Standard Drawer Runners



## Richelieu Section 4F

### 230 Series Drawer Runners

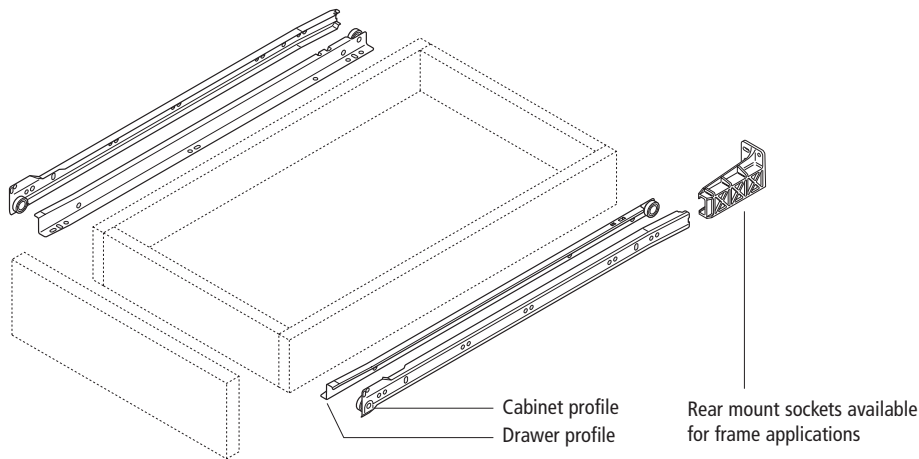
**230M Single extension, Blumatic self-closing drawer runners**  
 Lengths: 250mm (10") to 650mm (26")

**Description**

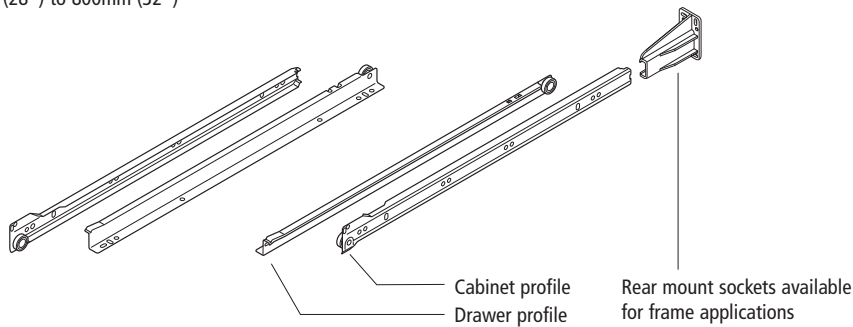
- Single extension, bottom mounted
- Durable epoxy coating in cream or white
- Smooth running synthetic rollers on tempered steel axles
- Captive RH profiles/tolerance LH profiles
- 1/2" side clearance
- Double warning lift out stop

230M series have Blumatic self-closing action. Angled drawer and cabinet profiles create a parallel drop 3/32".

230E series have stay-closed detents in the drawer profiles that hold the drawer in the closed position.



**230E Single extension drawer runners with stay-closed detents**  
 Lengths: 700mm (28") to 800mm (32")



- 1 SCREWS AND FASTENERS
- 2 FURNITURE EQUIPMENT
- 3 HINGES
- 4 SLIDES
- 5 CASTERS AND LEGS
- 6 KITCHEN SOLUTIONS
- 7 CLOSET SOLUTIONS
- 8 LIGHTING SOLUTIONS
- 9 SINKS AND FAUCETS
- 10 OFFICE
- 11 SLIDING DOORS SYSTEMS
- 12 GLASS HARDWARE
- 13 PANELS AND SURFACES
- 14 EDGE-BANDING
- 15 CABINET DOORS AND DRAWERS
- 16 MOLDINGS, CORBELS AND WINE CELLARS
- 17 GLUES, SILICONES, CAULK AND INSULATING
- 18 TOOLS AND SECURITY
- 19 FINISHING PRODUCTS AND ABRASIVES
- 20 COMMERCIAL DISPLAY AND HARDWARE
- 21 BUILDERS HARDWARE

CCRM 2018

## Standard Single Ext. 230M Series

NOMINAL LENGHT INCHES	FRAME CABINET INTERIOR DEPTH*		MINIMUM PANEL CABINET INTERIOR DEPTH*	SUGGESTED DRAWER LENGHT	EXTENSION LOSS**	CABINET & DRAWER PROFILE LENGHT
	MAXIMUM	MINIMUM				
26"	714 (28-1/8")	677 (26-11/16")	653 (25-3/4")	650 (25-5/8")	127 (4-15/16")	650 (25-5/8")
24"	664 (26-1/8")	627 (24-11/16")	603 (23-3/4")	600 (23-5/8")	120 (4-11/16")	600 (23-5/8")
22"	614 (24-3/16")	577 (22-3/4")	553 (21-13/16")	550 (21-11/16")	110 (4-5/16")	550 (21-11/16")
20"	564 (22-3/16")	527 (20-3/4")	503 (19-13/16")	500 (19-11/16")	102 (4")	500 (19-11/16")
18"	514 (20-1/4")	477 (18-13/16")	453 (17-7/8")	450 (17-3/4")	95 (3-3/4")	450 (17-3/4")
16"	464 (18-1/4")	427 (16-13/16")	403 (15-7/8")	400 (15-3/4")	85 (3-3/8")	400 (15-3/4")
14"	414 (16-1/4")	377 (14-13/16")	353 (13-7/8")	350 (13-3/4")	85 (3-3/8")	350 (13-3/4")
12"	364 (14-5/16")	327 (12-7/8")	303 (11-15/16")	300 (11-13/16")	85 (3-3/8")	300 (11-13/16")
10"	314 (12-5/16")	277 (10-7/8")	253 (9-15/16")	250 (9-13/16")	59 (2-5/16")	250 (9-13/16")

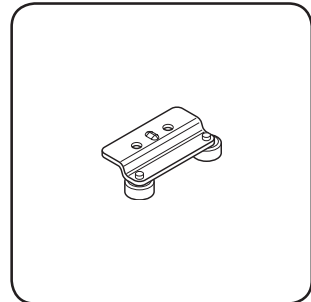
\* For overlay drawer fronts. Space requirements for inset drawers will vary according to front thickness. A trial is recommended.

\*\* At suggested drawer length.

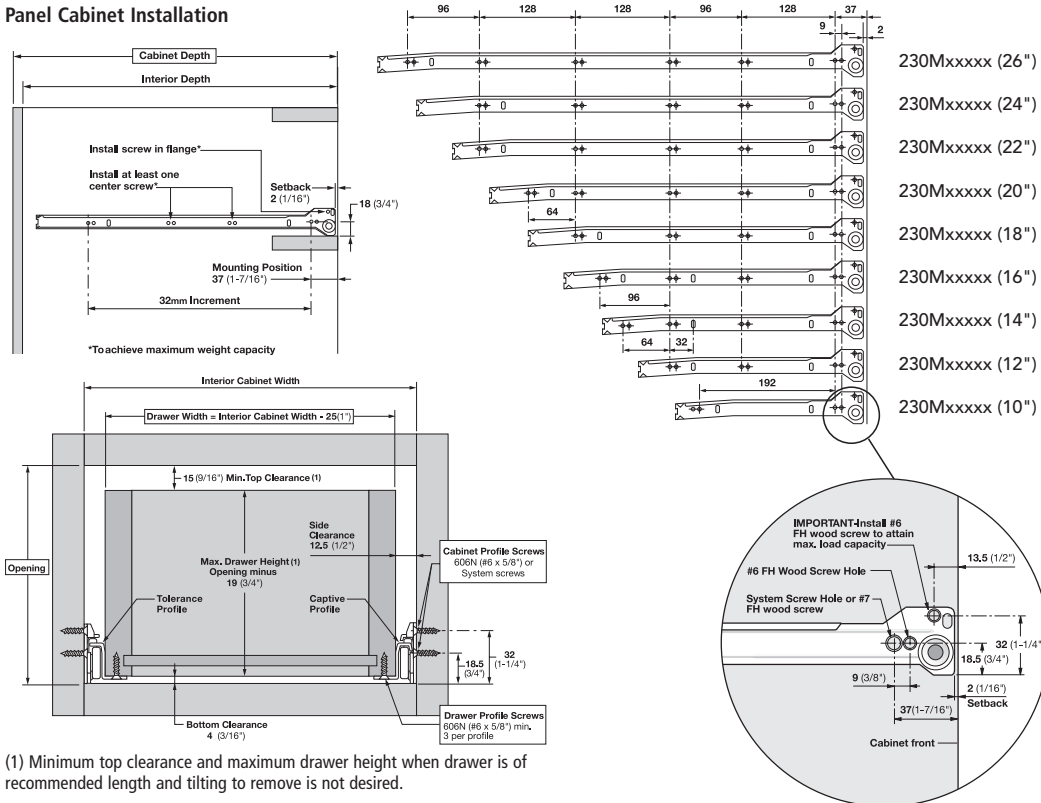
### Bottom mounted single extension drawer runners

CABINET DEPTH	CREAM	WHITE	EURO WHITE	QTY/BOX
300 mm (12")	-	230M30300	† 230M34300	25 pairs
350 mm (14")	† 230M34350	230M30350	† 230M34350	25 pairs
400 mm (16")	† 230M34400	230M30400	† 230M34400	25 pairs
450 mm (18")	† 230M34450	230M30450	† 230M34450	25 pairs
500 mm (20")	† 230M34500	230M30500	† 230M34500	25 pairs
550 mm (22")	† 230M34550	230M30550	† 230M34550	25 pairs
600 mm (24")	-	230M30600	† 230M34600	25 pairs
650 mm (24")	-	-	-	25 pairs

† = Add letter «T» to code number to get quantity less than a box



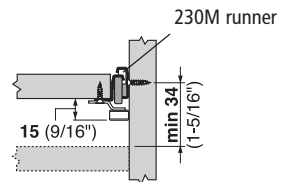
### Panel Cabinet Installation



(1) Minimum top clearance and maximum drawer height when drawer is of recommended length and tilting to remove is not desired.

**230M / 430E Door protector**  
For pull-out surrounds to prevent damage to doors.  
Fixed to the underside of the drawer.  
For 230M and 430E runners.  
Symmetrical. Epoxy coated steel, with synthetic rollers, cream color.

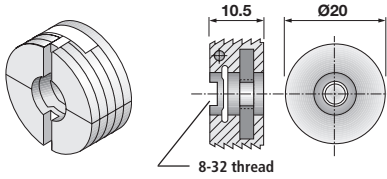
### Space requirements



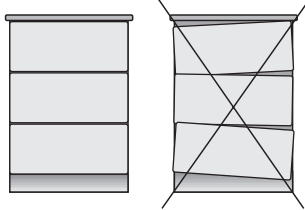
### DOOR PROTECTOR

PRODUCT	QTY/BOX
298220034	25 pairs

## Drawer Front Adjuster



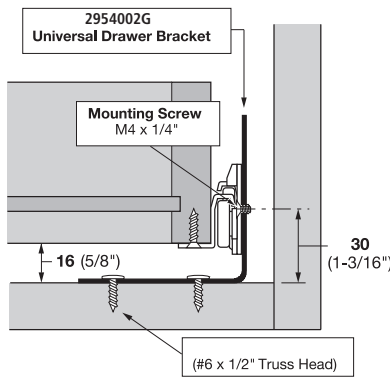
Nylon housing with pre-mounted 8-32 steel nut. For 4-sided drawers. Adjusts height and side-to-side by 5 (3/16").



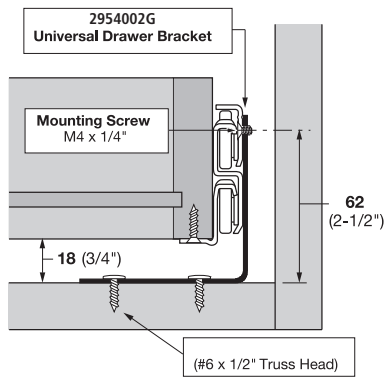
### DRAWER FRONT ADJUSTER

PART PRODUCT	QTY/BOX
29510012	1000

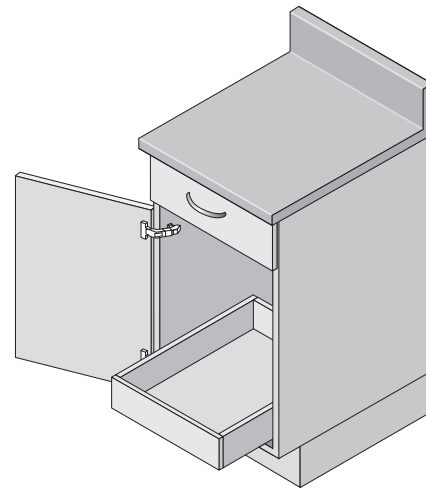
## Standard Series with Roll-Out Tray Mounted to Blum Universal Drawer Brackets



Roll-out tray with 230M runner



Roll-out tray with 430E runner



For mounting Blum runners to the floor of a cabinet (roll-out tray).

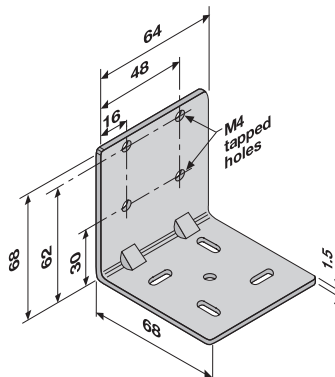
Attach to cabinet with screws, (#6 x 1/2" trusshead)

Zinc coated

(4) per set with M4 screws

### UNIVERSAL BRACKET KIT

PART PRODUCT	QTY/BOX
2954002G	1 set



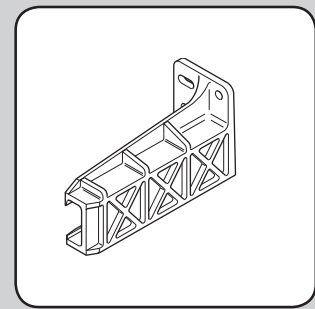
- 1 SCREWS AND FASTENERS
- 2 FURNITURE EQUIPMENT
- 3 HINGES
- 4 SLIDES
- 5 CASTERS AND LEGS
- 6 KITCHEN SOLUTIONS
- 7 CLOSET SOLUTIONS
- 8 LIGHTING SOLUTIONS
- 9 SINKS AND FAUCETS
- 10 OFFICE
- 11 SLIDING DOORS SYSTEMS
- 12 GLASS HARDWARE
- 13 PANELS AND SURFACES
- 14 EDGE-BANDING
- 15 CABINET DOORS AND DRAWERS
- 16 MOLDINGS, CORBELS AND WINE CELLARS
- 17 GLUES, SILICONES, CAULK AND INSULATING
- 18 TOOLS AND SECURITY
- 19 FINISHING PRODUCTS AND ABRASIVES
- 20 COMMERCIAL DISPLAY AND HARDWARE
- 21 BUILDERS HARDWARE

**Rear Mount Sockets for 230M in Frame Cabinets**

- Synthetic, neutral color
- Attach with screws #6 x 1/2" trusshead

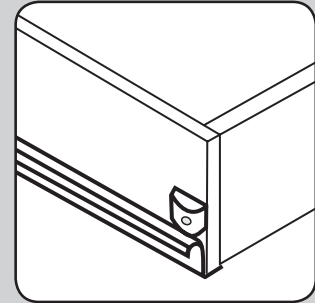
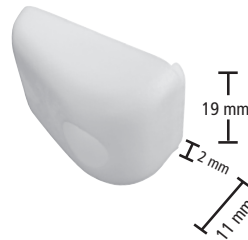
Cannot be used with 430 full extension series

RIGHT	LEFT	QTY/BOX
60230012	60230112	1



**Drawer Bumpers**

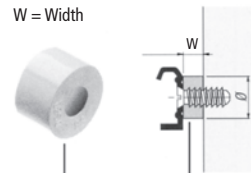
WHITE	QTY/BOX
CP60003030	100
60003030	1000



**Drawer Runner Spacers for 230M**

- Available spacer thickness: 3 mm (1/8"), 9 mm (3/8"), 13 mm (1/2")
- High strength nylon
- Natural color
- Use with system screws or #7 wood screws

PRODUCT	SPACER THICKNESS	QTY/BOX
58059011	3 (1/8")	1000
58058011	9 (3/8")	1000
58057011	13 (1/2")	1000



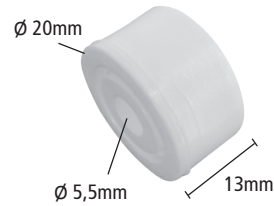
I slides I

# Standard Drawer Runners

Accessories

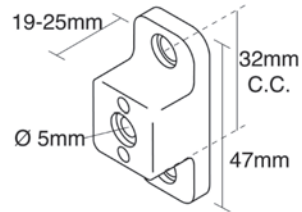
## Nylon Slide Spacer

PRODUCT	FINISH	QTY/BOX
58026030	White	1



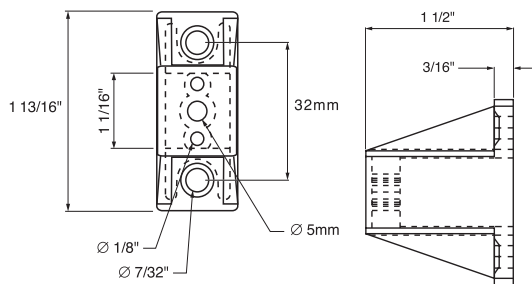
## Side Spacers

PRODUCT	FINISH	WIDTH	QTY/BOX
60275012	Natural	19 mm	1
CP60275012	Natural	19 mm	100
60285012	White	25 mm	1
CP60285012	Natural	25 mm	100

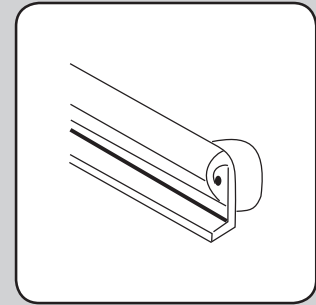


## Side Spacer

PRODUCT	FINISH	QTY/BOX
360830	White	1



## Richelieu Section 4F



1  
SCREWS  
AND  
FASTENERS

2  
FURNITURE  
EQUIPMENT

3  
HINGES

4  
SLIDES

5  
CASTERS  
AND LEGS

6  
KITCHEN  
SOLUTIONS

7  
CLOSET  
SOLUTIONS

8  
LIGHTING  
SOLUTIONS

9  
SINKS  
AND  
FAUCETS

10  
OFFICE

11  
SLIDING  
DOORS  
SYSTEMS

12  
GLASS  
HARDWARE

13  
PANELS  
AND  
SURFACES

14  
EDGE-  
BANDING

15  
CABINET  
DOORS  
AND  
DRAWERS

16  
MOLDINGS,  
CORBELS  
AND WINE  
CELLARS

17  
GLUES,  
SILICONES,  
CAULK AND  
INSULATING

18  
TOOLS  
AND  
SECURITY

19  
FINISHING  
PRODUCTS  
AND  
ABRASIVES

20  
COMMERCIAL  
DISPLAY AND  
HARDWARE

21  
BUILDERS  
HARDWARE





### Indicator

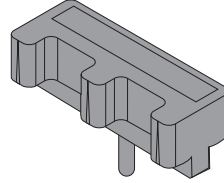
For Minipress and Mindrill application

\*For METABOX only

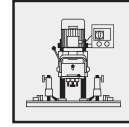
For drilling fixation positions and front bracket insertion in conjunction with special centre stop. The special centre stop enables the positioning of the drawer front without the need of swivel stops.

PRODUCT	QTY/BOX
MZR2000	1

Required Product(s):  
M53P1053 – Blum MiniPress P Drill



Center position indicator

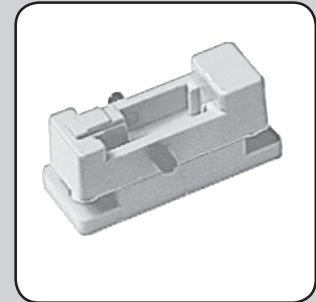
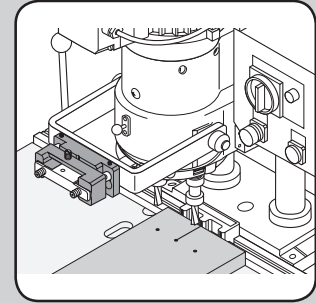
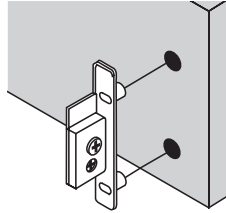


### Insertion Ram

MINIPRESS insertion rams for METABOX front fixing brackets

ZSF1300 / ZSF1800 for 320/330M, K and H

PRODUCT	QTY/BOX
MZM0092	1



- 1 SCREWS AND FASTENERS
- 2 FURNITURE EQUIPMENT
- 3 HINGES
- 4 SLIDES
- 5 CASTERS AND LEGS
- 6 KITCHEN SOLUTIONS
- 7 CLOSET SOLUTIONS
- 8 LIGHTING SOLUTIONS
- 9 SINKS AND FAUCETS
- 10 OFFICE
- 11 SLIDING DOORS SYSTEMS
- 12 GLASS HARDWARE
- 13 PANELS AND SURFACES
- 14 EDGE-BANDING
- 15 CABINET DOORS AND DRAWERS
- 16 MOLDINGS, CORBELS AND WINE CELLARS
- 17 GLUES, SILICONES, CAULK AND INSULATING
- 18 TOOLS AND SECURITY
- 19 FINISHING PRODUCTS AND ABRASIVES
- 20 COMMERCIAL DISPLAY AND HARDWARE
- 21 BUILDERS HARDWARE

### TANDEM Template

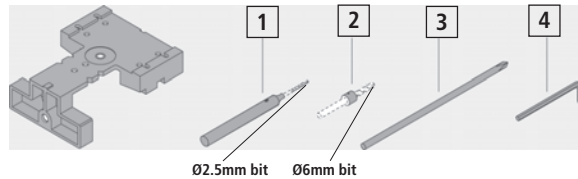
- Essential tool for drawers using TANDEM runners
- To bore the Ø6mm holes for rear hooks
- To pilot bore Ø2.5mm hole for TANDEM locking devices at 12° angle

**Tool set included:**

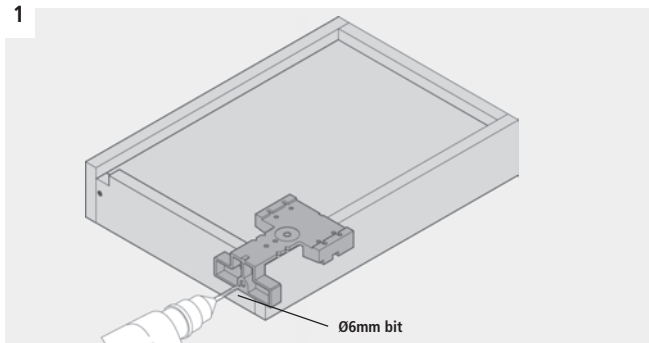
- 1 Ø2.5mm drill bit extension
- 2 Ø6mm stop collar
- 3 Screwdriver tip
- 4 Allen key

PRODUCT	DESCRIPTION	QTY/BOX
T65160001	Tandem template	1
T659000	Tool set	1

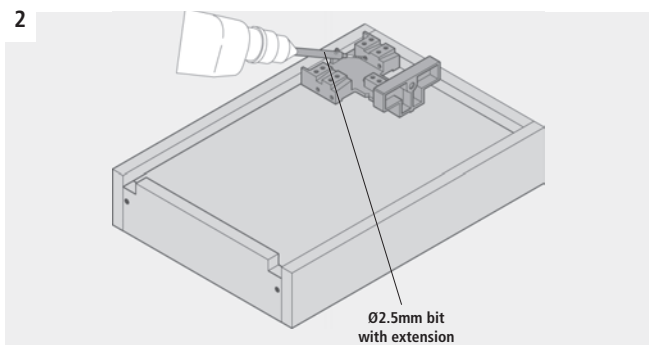
**Specification(s):**



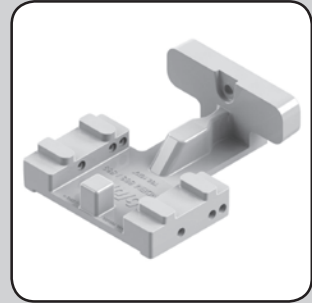
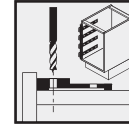
### Using the TANDEM template



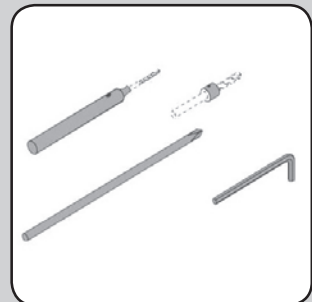
Bore rear fixing holes.



Bore pilot holes for locking device screws.



T65160001



T659000

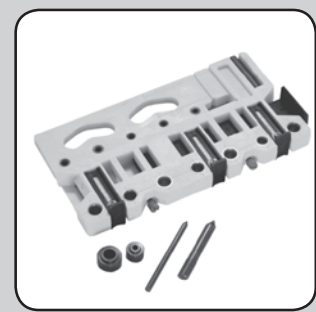
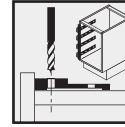
# Blum Tools and Jigs Drawer Assembly



## Richelieu Section 4G

### Universal Template

- For marking or boring holes for front fixing brackets, drawer backs and bottoms (METABOX C15)
- Works for either overlay or interior drawers
- Suitable for the following drawers:  
METABOX 320/330 N, M, K, H  
TANDEMBOX 358 N, M  
LEGRABOX

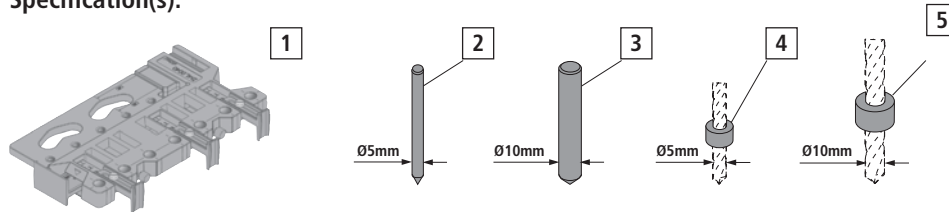


#### Universal template parts included

- 1 Template
- 2 Ø5mm marking pin
- 3 Ø10mm marking pin
- 4 Ø5mm stop collar
- 5 Ø10mm stop collar

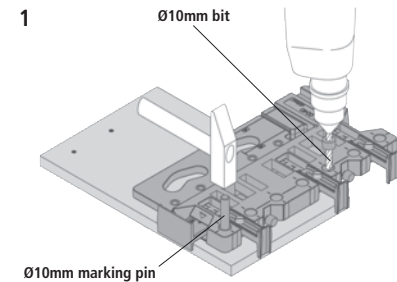
PRODUCT	DESCRIPTION	/BOX
ZML0040	Universal drilling template	1

#### Specification(s):

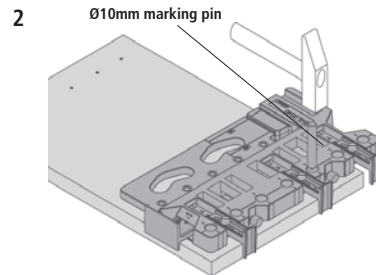


### Using the universal template

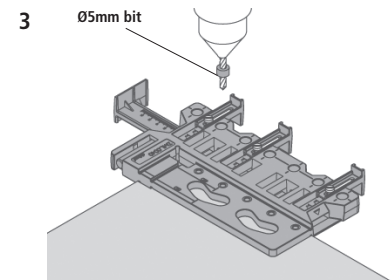
#### Example with METABOX C-15 drawer components



Marking and boring drawer front.



Marking drawer back.

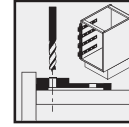


Boring drawer bottom.

- 1 SCREWS AND FASTENERS
- 2 FURNITURE EQUIPMENT
- 3 HINGES
- 4 SLIDES
- 5 CASTERS AND LEGS
- 6 KITCHEN SOLUTIONS
- 7 CLOSET SOLUTIONS
- 8 LIGHTING SOLUTIONS
- 9 SINKS AND FAUCETS
- 10 OFFICE
- 11 SLIDING DOORS SYSTEMS
- 12 GLASS HARDWARE
- 13 PANELS AND SURFACES
- 14 EDGE-BANDING
- 15 CABINET DOORS AND DRAWERS
- 16 MOLDINGS, CORBELS AND WINE CELLARS
- 17 GLUES, SILICONES, CAULK AND INSULATING
- 18 TOOLS AND SECURITY
- 19 FINISHING PRODUCTS AND ABRASIVES
- 20 COMMERCIAL DISPLAY AND HARDWARE
- 21 BUILDERS HARDWARE

**Box System Front Template**

- Used for marking the front fixing bracket locations on the drawer fronts for drawers that are already installed in the cabinet
- For one time jobs or production runs
- Eliminates need for calculations and is very accurate

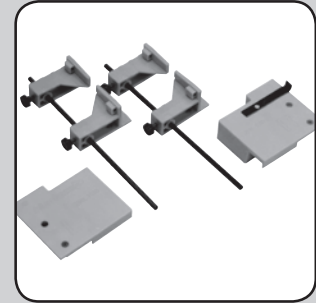
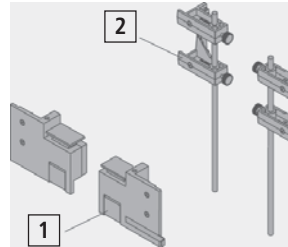


**1 Front fixing bracket template**

- Set includes right and left templates that clamp onto the drawer box
- Right template has adjustable tab to fix side overlay

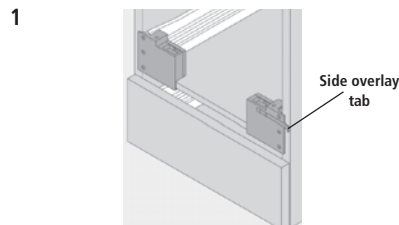
**2 Gallery rod template**

- Set includes two non-handed pieces with adjustable distance rods

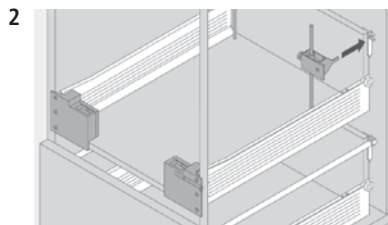


PRODUCT	DESCRIPTION	QTY/BOX
ZML1500	For METABOX 320/330 M,K & H	1

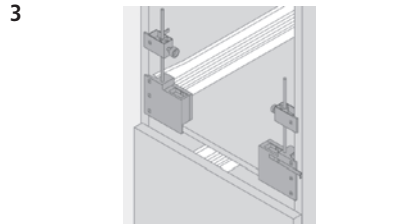
**Using the box system front template**



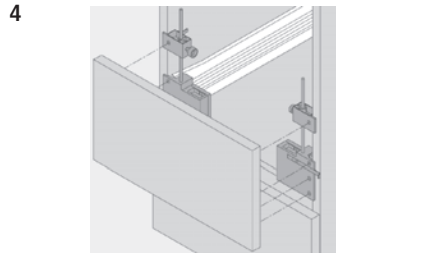
Place marking templates on installed drawer. Place integral spring clamps to drawer bottom.



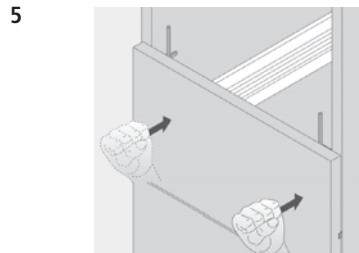
If galleries are used, place gallery template into rear bracket then adjust rod so it rests on the drawer bottom.



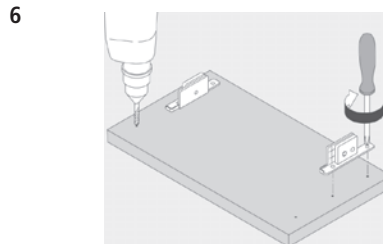
Place gallery templates into the top of the marking templates so that rods rest on the drawer bottom.



Adjust side overlay tab. Place drawer front against the templates and make sure drawer front is correctly spaced from the drawer front beneath.



Hold the drawer front in place and tap it by hand to transfer the points of the templates to the back of the drawer front.



Attach the front fixing brackets with wood screws or use the marks to assist in setting up for production boring. Bore Ø10mm holes for INSERTA gallery rods.

# Blum Tools and Jigs

## Metabox Assembly Tools



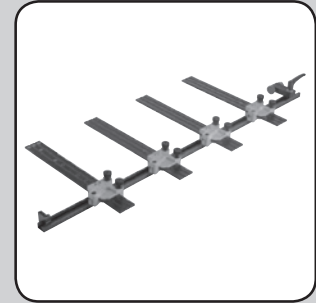
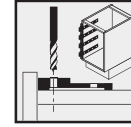
# Richelieu Section 4G

### Metabox Assembly Tools

#### Adjustable calibrated drilling gauge

For determining cabinet profile positions and pilot drilling.

Drilling gauge can be used with assembled or unassembled cabinets. Locates precise and level fixing points of cabinet profiles. Calibrated metric rail works with DynaPlan or Dynalog for locating profile position.

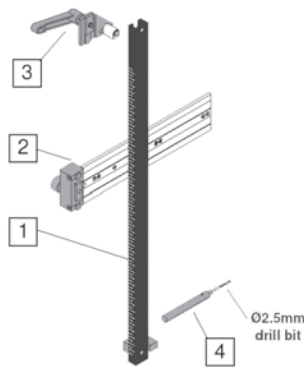


Includes:

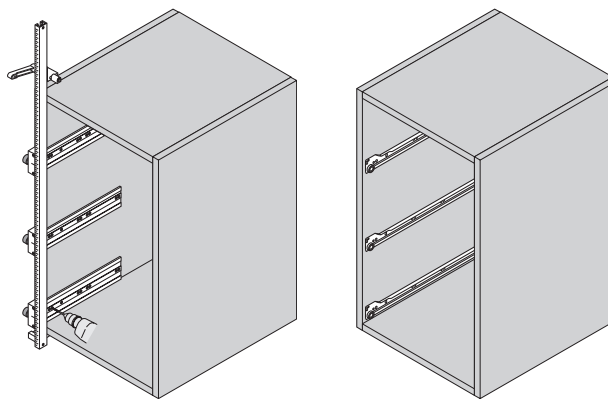
- 1 Clamp assembly
- 2 Templates
- 3 Calibrated rail, length 1000 (39")
- 4 Extension drill bit for Ø2.5 (1/8")

#### CABINET PROFILE TEMPLATE

PRODUCT	QTY/BOX
T655000	1



1. Determine runner locations from DynaPlan, Dynalog or by manual calculation.
2. Set templates on the bar by the scale
3. Clamp assembly to the cabinet side.
4. Drill Ø2.5mm pilot holes for front and middle mounting positions.
5. Fasten runners to cabinet with wood screws.
6. Add screws to back of runner for added strength as required.

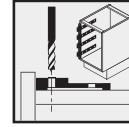


- 1 SCREWS AND FASTENERS
- 2 FURNITURE EQUIPMENT
- 3 HINGES
- 4 SLIDES
- 5 CASTERS AND LEGS
- 6 KITCHEN SOLUTIONS
- 7 CLOSET SOLUTIONS
- 8 LIGHTING SOLUTIONS
- 9 SINKS AND FAUCETS
- 10 OFFICE
- 11 SLIDING DOORS SYSTEMS
- 12 GLASS HARDWARE
- 13 PANELS AND SURFACES
- 14 EDGE-BANDING
- 15 CABINET DOORS AND DRAWERS
- 16 MOLDINGS, CORBELS AND WINE CELLARS
- 17 GLUES, SILICONES, CAULK AND INSULATING
- 18 TOOLS AND SECURITY
- 19 FINISHING PRODUCTS AND ABRASIVES
- 20 COMMERCIAL DISPLAY AND HARDWARE
- 21 BUILDERS HARDWARE

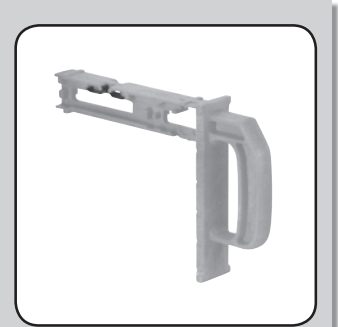
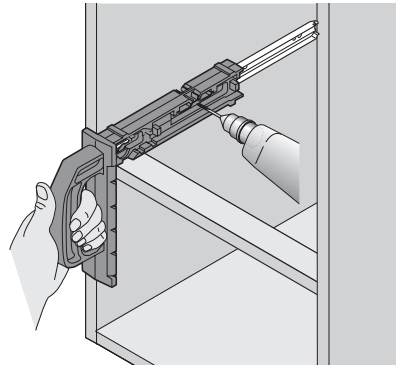
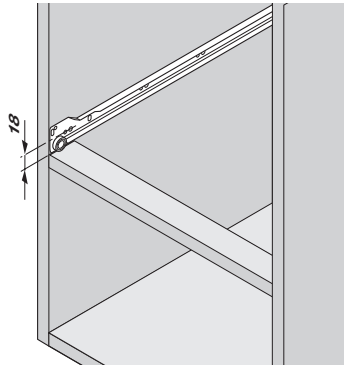
**MINIFIX**

For precise positioning of cabinet profile fixing screws.

For 230M, 230E and 430E runners.



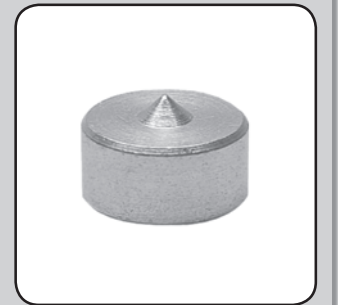
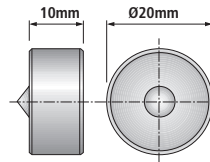
PRODUCT	QTY/BOX
653300	1



**Drawer Front Template**

- To transfer the center points of the Blum 295100012 drawer front adjuster from the drawer front to the drawer box
- For drawers using TANDEM, SOLO or STANDARD runners

PRODUCT	QTY/BOX
652950	1



| Slides |

# Accuride Slides

*Accuride*

*Global experts in the application, design, and supply of precision slides.*

## General Informations for the New Cam Slide Adjustment Mechanism

This innovative mechanism enables installers to adjust the vertical position of drawers by up to 3/16". Precision adjustment in one easy step saves time, installation costs, and increases your bottom line.

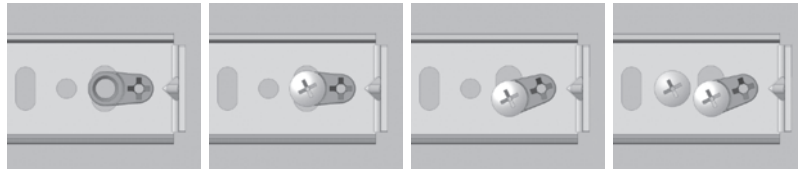
### Features:

- Standard on series 3832, 3832SC, 3834, 2037, 7432, 7434, 2132, 4034 (417) and 4035 (4017)
- Provides a total range of 3/16" precise vertical adjustment
- Simplifies installation process and may eliminate the need for a separate drawer front adjuster
- Movement actuated with a standard Phillips or Pozi screwdriver
- Uses standard Accuride pan head screws
- All slides are RoHS compliant



### Installation:

- A pan head screw is used at the back of the drawer member and another is installed through the cam at the front of the drawer
- After the drawer is installed in the cabinet and the drawer front is affixed, turn the cam to provide the vertical adjustment required to set the reveal
- Once the drawer is adjusted, additional fixing screws must be added to set the drawer position



FROM

*Accuride*

## Richelieu Section 4H

### CAM SLIDE ADJUSTMENT



**STANDARD ON THE FOLLOWING SLIDES SERIES:**

- 3832**
- 3832SC**
- 3834**
- 2037**
- 7432**
- 7434**
- 2132**
- 4034**
- 4035**



CCRM 2018

**Page 4H1**

**1**  
SCREWS AND FASTENERS

**2**  
FURNITURE EQUIPMENT

**3**  
HINGES

**4**  
SLIDES

**5**  
CASTERS AND LEGS

**6**  
KITCHEN SOLUTIONS

**7**  
CLOSET SOLUTIONS

**8**  
LIGHTING SOLUTIONS

**9**  
SINKS AND FAUCETS

**10**  
OFFICE

**11**  
SLIDING DOORS SYSTEMS

**12**  
GLASS HARDWARE

**13**  
PANELS AND SURFACES

**14**  
EDGE-BANDING

**15**  
CABINET DOORS AND DRAWERS

**16**  
MOLDINGS, CORBELS AND WINE CELLARS

**17**  
GLUES, SILICONES, CAULK AND INSULATING

**18**  
TOOLS AND SECURITY

**19**  
FINISHING PRODUCTS AND ABRASIVES

**20**  
COMMERCIAL DISPLAY AND HARDWARE

**21**  
BUILDERS HARDWARE

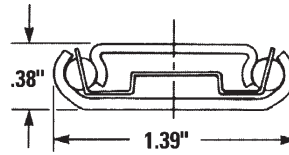
# Accuride Slides



## Richelieu Section 4H

### Center Mount Slide

- Applications: Commercial, residential, kitchen
- Features: Center slide. Eliminates side space requirement. Disconnect by friction
- Mounting: Under the drawer
- Extension: 75% length of slide
- Capacity: 35 lbs per slide (16 kg) based on an 18" slide
- Action: Steel ball bearings
- Accessories: Adjustable rear mounting sockets and nail glides are included
- Required space: 0,38"

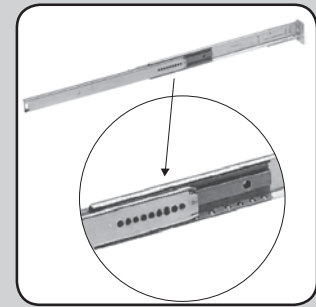


Sold by unit

PRODUCT	PACKAGING OPTION	DRAWER DEPTH	CABINET DEPTH	SLIDE LENGTH	DRAWER EXTENSION	QTY/BOX
10292G113	T	10-5/8" to 12-1/2"	13" to 14-1/2"	12-7/8"	8-1/2"	40
10292G115	T IIII	12-5/8" to 14-1/2"	15" to 16-1/2"	14-7/8"	10-1/2"	40
10292G117	T IIII	14-5/8" to 16-1/2"	17" to 18-1/2"	16-7/8"	12"	40
10292G123	T IIII	20-5/8" to 22-1/2"	23" to 24-1/2"	22-7/8"	16-1/2"	40

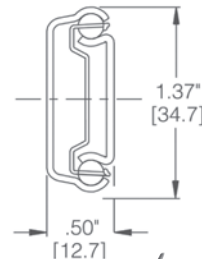
T = Also available in «T» pack by pair

IIII = Also available in retail packaging with barcodes UCT



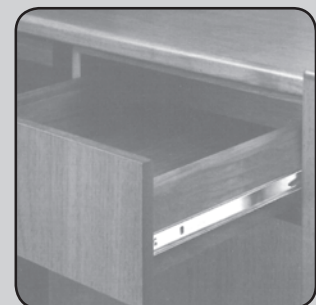
### Drawer Slide

- Applications: Pencil drawer, kitchen drawer. Commercial application
- Features: Hold-in detent. Disconnect by lever. CAM adjustment. Compatible drilling with the 3832 and 7432 series
- Mounting: Side
- Extension: 75% length of slide
- Capacity: 75 lb per pair (34 kg)
- Action: Steel ball bearings
- ANSI BHMA certified



Sold by pair

PRODUCT	FINISH	LENGTH	QTY/BOX
T21322G16	Zinc	16"	1 pair
21322G10	Zinc	10"	10 pairs
21322G12	Zinc	12"	10 pairs
21322G14	Zinc	14"	10 pairs
21322G16	Zinc	16"	10 pairs
21322G18	Zinc	18"	10 pairs
21322G20	Zinc	20"	10 pairs
21322G22	Zinc	22"	10 pairs
21322G24	Zinc	24"	10 pairs
21329018	Black	18"	10 pairs
21329020	Black	20"	10 pairs





# Accuride Slides

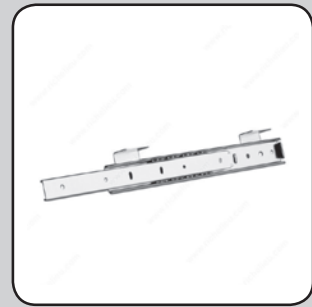
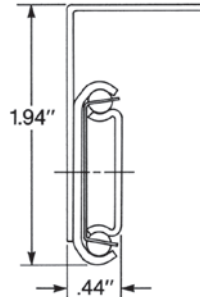


## Richelieu Section 4H

### Under Counter Pencil Drawer Slide

- Designed for suspended drawers beneath a desk or table top, without a supporting sidewall structure
- Features: Installation without a side wall structure; friction disconnect
- Mounting on side of shelf or drawer, or under-surface with brackets
- Extension: 3/4"
- Capacity: 45 lb per pair (based on an 18" slide)
- Action: Steel ball bearings
- Space required: 0.44"
- Positive hold-in detent to keep drawer or shelf closed and prevent bounce back
- All polymer ball bearing construction
- Maximum drawer width: 16"

PRODUCT	FINISH	LENGTH	QTY/BOX
T20062G12	Zinc	12"	1 pair
T20062G14	Zinc	14"	1 pair
T20062G16	Zinc	16"	1 pair
T20062G18	Zinc	18"	1 pair
T20062G20	Zinc	20"	1 pair
T20062G22	Zinc	22"	1 pair



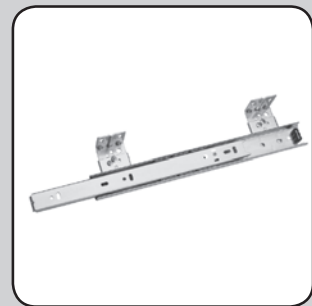
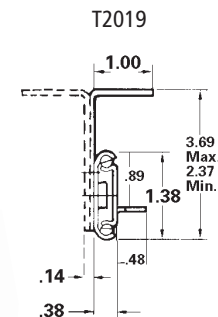
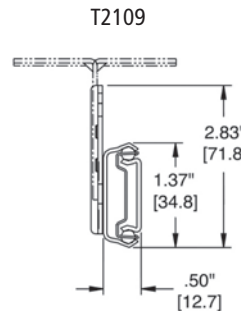
### Keyboard Slide

- Applications: For computer keyboard
- Features: Open hold-in detent (2109). Detent in and out (2109). Disconnect by lever. Adjustable height of 2,37" to 3,69" Height 2.4" (2019) to 3,75" (2109)
- Mounting: Tabs under the drawer (2109). Side and under drawer bkts (2109)
- Extension: 75% length of slide
- Capacity: 75 lbs per pair (34 kg) based on an 18" slide
- Action: Steel ball bearings
- Required space: 0,53" (2019) 0,66" (2109)
- ANSI BHMA certified



PRODUCT	FINISH	LENGTH	QTY/BOX
T21092G12	Zinc	12"	1 pair
T21092G14	Zinc	14"	1 pair
T21092G16	Zinc	16"	1 pair
T21092G18	Zinc	18"	1 pair
T21092G20	Zinc	20"	1 pair
T21099014	Black	14"	1 pair
T21099016	Black	16"	1 pair

2019 series made for under shelves fixing. Brackets included.



- 1 SCREWS AND FASTENERS
- 2 FURNITURE EQUIPMENT
- 3 HINGES
- 4 SLIDES
- 5 CASTERS AND LEGS
- 6 KITCHEN SOLUTIONS
- 7 CLOSET SOLUTIONS
- 8 LIGHTING SOLUTIONS
- 9 SINKS AND FAUCETS
- 10 OFFICE
- 11 SLIDING DOORS SYSTEMS
- 12 GLASS HARDWARE
- 13 PANELS AND SURFACES
- 14 EDGE-BANDING
- 15 CABINET DOORS AND DRAWERS
- 16 MOLDINGS, CORBELS AND WINE CELLARS
- 17 GLUES, SILICONES, CAULK AND INSULATING
- 18 TOOLS AND SECURITY
- 19 FINISHING PRODUCTS AND ABRASIVES
- 20 COMMERCIAL DISPLAY AND HARDWARE
- 21 BUILDERS HARDWARE

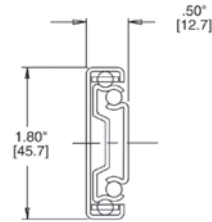
# Accuride Slides



## Richelieu Section 4H

### Full Extension Slide

- Applications: Commercial, residential, kitchen
- Features: Hold-in detent. Disconnect by lever. CAM adjustment
- Mounting: Side
- Extension: Full (3832-3864), 1" over-travel (3834)
- Capacity: 100 lbs (45 kg) per pair (3832-3864), 100 lbs (45 kg) (3834)
- Action: Steel ball bearings
- Required space: 0,50" + 1/32", -0,00"
- ANSI BHMA certified (3832)



Sold by pair

PRODUCT	FINISH	SLIDE LENGTH	QTY/BOX
38322G06	Zinc	6"	10 pairs
38322G08	Zinc	8"	10 pairs
38322G10	Zinc	10"	10 pairs
38322G12	Zinc	12"	10 pairs
38322G14	Zinc	14"	10 pairs
38322G16	Zinc	16"	10 pairs

PRODUCT	FINISH	SLIDE LENGTH	QTY/BOX
38322G18	Zinc	18"	10 pairs
38322G20	Zinc	20"	10 pairs
38322G22	Zinc	22"	10 pairs
38322G24	Zinc	24"	10 pairs
38322G26	Zinc	26"	10 pairs
38322G28	Zinc	28"	10 pairs

|||| = Also available in barcode format:  
UCT38322G12 to UCT38322G24 (12" to 24")

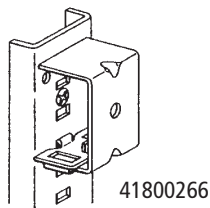
#### SERIES 3832

PRODUCT	FINISH	SLIDE LENGTH	QTY/BOX
38329010	Black	10"	10 pairs
38329012	Black	12"	10 pairs
38329014	Black	14"	10 pairs
38329016	Black	16"	10 pairs
38329018	Black	18"	10 pairs
38329020	Black	20"	10 pairs
38329022	Black	22"	10 pairs
38329024	Black	24"	10 pairs
38329026	Black	26"	10 pairs
38329028	Black	28"	10 pairs
38323010	White	10"	10 pairs
38323012	White	12"	10 pairs
38323014	White	14"	10 pairs
38323016	White	16"	10 pairs
38323018	White	18"	10 pairs
38323020	White	20"	10 pairs
38323022	White	22"	10 pairs
38323024	White	24"	10 pairs
38323026	White	26"	10 pairs

#### SERIES 3834

PRODUCT	FINISH	SLIDE LENGTH	QTY/BOX
38342G12	Zinc	12"	10 pairs
38342G14	Zinc	14"	10 pairs
38342G16	Zinc	16"	10 pairs
38342G18	Zinc	18"	10 pairs
38342G20	Zinc	20"	10 pairs
38342G22	Zinc	22"	10 pairs
38342G24	Zinc	24"	10 pairs
38342G26	Zinc	26"	10 pairs
38342G28	Zinc	28"	10 pairs
38349012	Black	12"	10 pairs
38349014	Black	14"	10 pairs
38349016	Black	16"	10 pairs
38349018	Black	18"	10 pairs
38349020	Black	20"	10 pairs
38349022	Black	22"	10 pairs
38349024	Black	24"	10 pairs
38349026	Black	26"	10 pairs
38349028	Black	28"	10 pairs

PRODUCT	DESCRIPTION	QTY/BOX
41800266	Pilaster mounting bracket (4)	1 kit (4)



# Accuride Slides



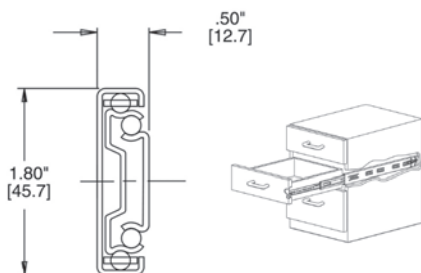
## Richelieu Section 4H

### Self-Closing Slide

- Applications: Commercial, residential, kitchen
- Features: Self-closing system (3832SC)
- Mounting: Side
- Extension: Full
- Capacity: 100 lbs per pair (45 KG) based on an 24" slide
- Action: Steel ball bearings
- Required space: 0,50" + 1/32", -0,00"

Sold by pair

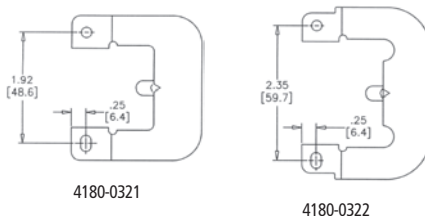
PRODUCT	FINISH	SLIDE LENGTH	QTY/BOX
3832SC2G12	Zinc	12"	10 pairs
3832SC2G14	Zinc	14"	10 pairs
3832SC2G16	Zinc	16"	10 pairs
3832SC2G18	Zinc	18"	10 pairs
3832SC2G20	Zinc	20"	10 pairs
3832SC2G22	Zinc	22"	10 pairs
3832SC2G24	Zinc	24"	10 pairs
3832SC2G26	Zinc	26"	10 pairs
3832SC3012	White	12"	10 pairs
3832SC3014	White	14"	10 pairs
3832SC3016	White	16"	10 pairs
3832SC3018	White	18"	10 pairs
3832SC3020	White	20"	10 pairs
3832SC3022	White	22"	10 pairs
3832SC9018	Black	18"	10 pairs
3832SC9020	Black	20"	10 pairs
3832SC9022	Black	22"	10 pairs



### Brackets for 2132 / 3832 Slides

- These kits convert standard 2132 and 3832 slides into face frame slides
- Kit includes: 2 front brackets, 2 rear brackets and assembly instructions

PRODUCT	FINISH	DESCRIPTION	QTY/BOX
41800321	Zinc	Kit for 2132	1
41800322	Zinc	Kit for 3832	1



### Self-Closing Slide

Designed for portable cabinets, equipment, or cabinetry for medical and educational environments, applications where the aesthetic appeal of plain drawer front is desired, or applications for end-users who have difficulty grasping handles to open drawers.

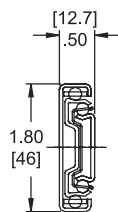
#### MORE FEATURES

Hold-in feature keeps drawers closed. Opening mechanism requires only 1/16" travel inward to activate, allowing the use of inset and overlay drawer front styles. Propels drawers open approximately 2" from the closed position. Provides an aesthetic, streamlined look to cabinetry. No protruding pulls offer a safer and more sanitary solution. Includes Cam Drawer Adjust feature.

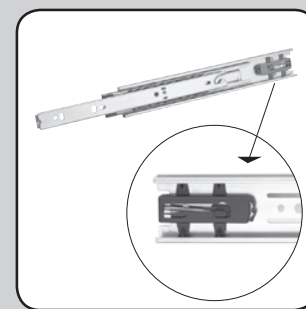
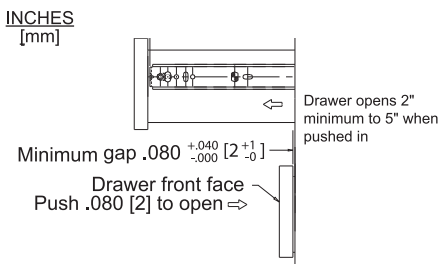
- Lever disconnect
- Mounting: Side
- Extension: Full
- Required side space: .50" (+.031 -0.00) [12.7 mm] (+0.8mm -0.00mm)
- Capacity: 100 lbs per pair (45 KG)
- Action: Steel ball bearings
- Drawers up to 24" wide

Sold by pair

PRODUCT	FINISH	SLIDE LENGTH	QTY/BOX
3832TR2G12	Zinc	12"	10 pairs
3832TR2G14	Zinc	14"	10 pairs
3832TR2G16	Zinc	16"	10 pairs
3832TR2G18	Zinc	18"	10 pairs
3832TR2G20	Zinc	20"	10 pairs
3832TR2G22	Zinc	22"	10 pairs
3832TR2G24	Zinc	24"	10 pairs
3832TR2G26	Zinc	26"	10 pairs
3832TR2G28	Zinc	28"	10 pairs



### TOUCH RELEASE



- 1 SCREWS AND FASTENERS
- 2 FURNITURE EQUIPMENT
- 3 HINGES
- 4 SLIDES
- 5 CASTERS AND LEGS
- 6 KITCHEN SOLUTIONS
- 7 CLOSET SOLUTIONS
- 8 LIGHTING SOLUTIONS
- 9 SINKS AND FAUCETS
- 10 OFFICE
- 11 SLIDING DOORS SYSTEMS
- 12 GLASS HARDWARE
- 13 PANELS AND SURFACES
- 14 EDGE-BANDING
- 15 CABINET DOORS AND DRAWERS
- 16 MOLDINGS, CORBELS AND WINE CELLARS
- 17 GLUES, SILICONES, CAULK AND INSULATING
- 18 TOOLS AND SECURITY
- 19 FINISHING PRODUCTS AND ABRASIVES
- 20 COMMERCIAL DISPLAY AND HARDWARE
- 21 BUILDERS HARDWARE

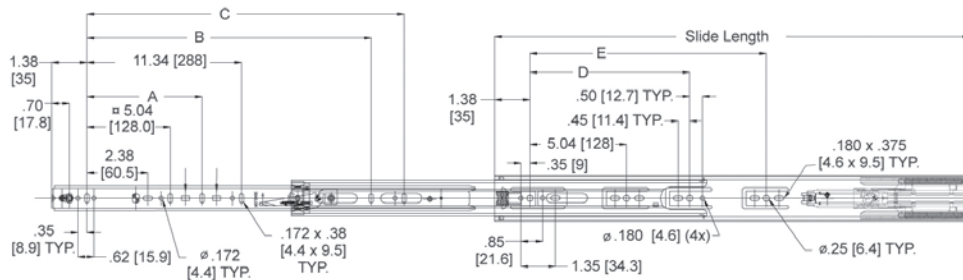
### Easy Close Full-Extension Slide (3832EC Accuride Series)

3832EC slide with a soft-closing feature.

- Full-extension for complete access
- Capacity: 100 lbs per pair (45 kg)
- Easy-close mechanism featuring an automatic reset; mechanism stroke about 1.75"
- Cam drawer adjustment feature included

Not suitable for drawers exceeding 26" in width. In this case, use slides from the T9301 family.

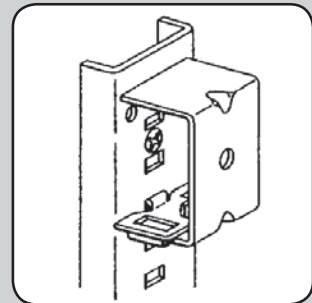
PRODUCT	FINISH	SLIDE LENGTH	QTY/BOX
3832EC2G14	Zinc	14"	1 pair
3832EC2G16	Zinc	16"	1 pair
3832EC2G18	Zinc	18"	1 pair
3832EC2G20	Zinc	20"	1 pair
3832EC2G22	Zinc	22"	1 pair
3832EC2G24	Zinc	24"	1 pair
3832EC2G26	Zinc	26"	1 pair
3832EC2G28	Zinc	28"	1 pair



### Pilaster Mounting Bracket (3832 Accuride Series)

- Capacity: 100 lbs (45 kg)
- Slide extension: 1" Over travel
- Set includes 4 units

PRODUCT	FINISH	SLIDE LENGTH	QTY/BOX
41800266	Zinc	1-1/2"	1 set



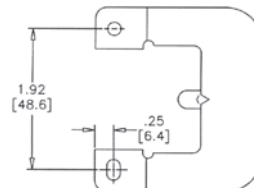
### Face Frame Conversion Kit (3832 Accuride Series)

- Capacity: 100 lbs (45 kg)
- Slide extension: Full Extension

Products included in kit:

- 2 front brackets
- 2 rear brackets
- assembly instructions

PRODUCT	FINISH	SLIDE LENGTH	QTY/BOX
41800322	Zinc	3-7/8"	1 kit

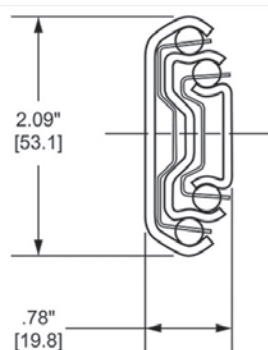


### Easy-Close Over Travel Slide (3834EC Accuride Series)

Heavy duty for wide drawers. Model 3634EC offers a combination of features and installation advantages that make these products the go-to slides for heavy-duty wide drawers.

- Easy-Close feature brings drawers to a smooth, gentle close
- Out stop silenced for quiet operation
- Load rating up to 150 lbs (68 kg)
- 1" over travel for full access to drawer contents
- Accommodates drawers up to 42" wide to expand potential applications
- .78" cross-section width
- Lever disconnect allows for easier drawer removal and reinsertion
- Outer member hole pattern matches models 3832/3834
- Slides are unhandled, which also helps speed and ease installation
- ROHS compliant

PRODUCT	FINISH	SLIDE EXTENSION	SLIDE LENGTH	QTY/ BOX
T3634EC2G14	Zinc	Full Extension	14"	1 pair
T3634EC2G16	Zinc	1" Over Travel	16"	1 pair
T3634EC2G18	Zinc	1" Over Travel	18"	1 pair
T3634EC2G20	Zinc	1" Over Travel	20"	1 pair
T3634EC2G22	Zinc	1" Over Travel	22"	1 pair
T3634EC2G24	Zinc	1" Over Travel	24"	1 pair
T3634EC2G26	Zinc	1" Over Travel	26"	1 pair
T3634EC2G28	Zinc	1" Over Travel	28"	1 pair

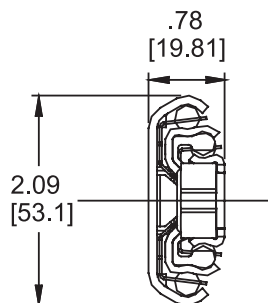


### Serie 3634 Over Travel Slide

Model 3634 offer a combination of features and installation advantages that make these products the go-to slides for heavy duty wide drawers.

- Includes hold-in detent to help drawers in a closed position
- In-and-out stops silenced for quiet operation
- 1" (25 mm) over travel for full access to drawer contents
- Accommodates drawers up to 42" wide to expand potential applications
- .78" cross-section width
- Lever disconnect allows for easier drawer removal and reinsertion
- Outer member hole pattern matches models 3832/3834
- Slides are unhandled, which also helps speed and ease installation
- ROHS compliant

PRODUCT	FINISH	SLIDE EXTENSION	SLIDE LENGTH	QTY/ BOX
T36342G12	Zinc	1" Over Travel	12"	1 pair
T36342G14	Zinc	1" Over Travel	14"	1 pair
T36342G16	Zinc	1" Over Travel	16"	1 pair
T36342G18	Zinc	1" Over Travel	18"	1 pair
T36342G20	Zinc	1" Over Travel	20"	1 pair
T36342G22	Zinc	1" Over Travel	22"	1 pair
T36342G24	Zinc	1" Over Travel	24"	1 pair
T36342G26	Zinc	1" Over Travel	26"	1 pair
T36342G28	Zinc	1" Over Travel	28"	1 pair



- 1 SCREWS AND FASTENERS
- 2 FURNITURE EQUIPMENT
- 3 HINGES
- 4 SLIDES
- 5 CASTERS AND LEGS
- 6 KITCHEN SOLUTIONS
- 7 CLOSET SOLUTIONS
- 8 LIGHTING SOLUTIONS
- 9 SINKS AND FAUCETS
- 10 OFFICE
- 11 SLIDING DOORS SYSTEMS
- 12 GLASS HARDWARE
- 13 PANELS AND SURFACES
- 14 EDGE-BANDING
- 15 CABINET DOORS AND DRAWERS
- 16 MOLDINGS, CORBELS AND WINE CELLARS
- 17 GLUES, SILICONES, CAULK AND INSULATING
- 18 TOOLS AND SECURITY
- 19 FINISHING PRODUCTS AND ABRASIVES
- 20 COMMERCIAL DISPLAY AND HARDWARE
- 21 BUILDERS HARDWARE

# Accuride Slides



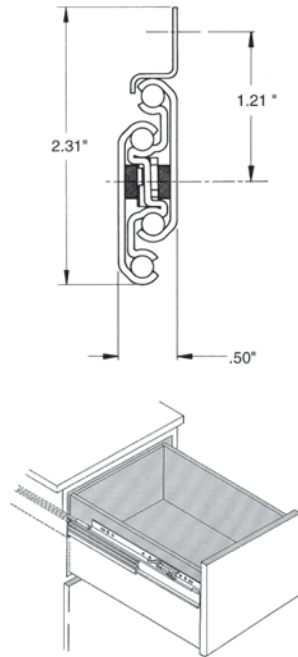
## Richelieu Section 4H

### Full Extension Slide for File Drawer

- Applications: Cabinets, desks, kitchen drawers
- Features: Hold-in detent. Disconnect by rail. Silenced in and out. Suspension rail system, easy to disconnect
- Mounting: Side
- Extension: Full (7432) 1" over-travel (7434)
- Capacity: 100 lbs per pair (45 kg) based on an 24" slide
- Action: Steel ball bearings
- Required space: 0,50" + 1/32", -0,00"

PRODUCT	FINISH	SLIDE LENGTH	QTY/BOX
T74322G14	Zinc	14"	1 pair
T74322G16	Zinc	16"	1 pair
74322G16	Zinc	16"	5 pairs
T74322G18	Zinc	18"	1 pair
74322G18	Zinc	18"	5 pairs
T74322G20	Zinc	20"	1 pair
74322G20	Zinc	20"	5 pairs
T74322G22	Zinc	22"	1 pair
74322G22	Zinc	22"	5 pairs
T74322G24	Zinc	24"	1 pair
74322G24	Zinc	24"	5 pairs
T74322G26	Zinc	26"	1 pair
T74322G28	Zinc	28"	1 pair

PRODUCT	FINISH	SLIDE LENGTH	QTY/BOX
T74342G12	Zinc	12"	1 pair
74342G12	Zinc	12"	5 pairs
T74342G14	Zinc	14"	1 pair
74342G14	Zinc	14"	5 pairs
T74342G16	Zinc	16"	1 pair
74342G16	Zinc	16"	5 pairs
T74342G18	Zinc	18"	1 pair
74342G18	Zinc	18"	5 pairs
T74342G20	Zinc	20"	1 pair
74342G20	Zinc	20"	5 pairs
T74342G22	Zinc	22"	1 pair
74342G22	Zinc	22"	5 pairs
T74342G24	Zinc	24"	1 pair
74342G24	Zinc	24"	5 pairs
T74342G26	Zinc	26"	1 pair
74342G26	Zinc	26"	5 pairs
T74342G28	Zinc	28"	1 pair



# Accuride Slides



## Richelieu Section 4H

### File Drawer Slide (4034 Accuride Series)

- Applications: File drawer in desks
- Features: Hold-in detent; progressive action. Suspension rail system
- Mounting: Side
- Extension: 1-1/2" over-travel (417), for a 24" maximum width drawer (417)
- Capacity: 150 lbs (68 kg) per pair (417)
- Action: Steel ball bearings
- Required space: 0,50" + 1/32", -0,00"
- Reference: 417 = 4034 Accuride
- Bumpers are made of felt

Sold by pair

PRODUCT	FINISH	SLIDE LENGTH	QTY/BOX
4179016	Black	16"	5 pairs
4179018	Black	18"	5 pairs

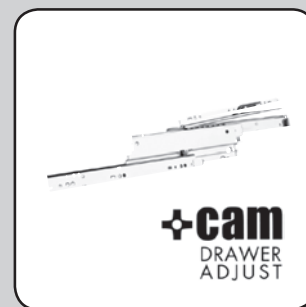
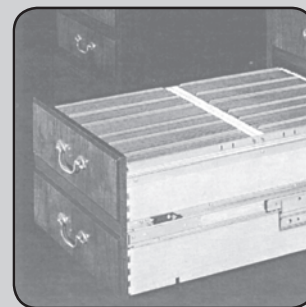
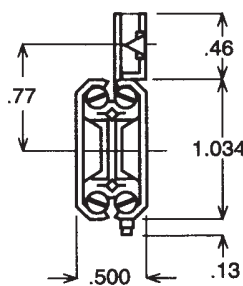
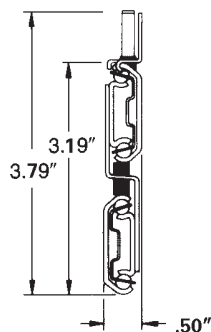
PRODUCT	FINISH	SLIDE LENGTH	QTY/BOX
4172G12	Zinc	12"	5 pairs
4172G14	Zinc	14"	5 pairs
4172G16	Zinc	16"	5 pairs
4172G18	Zinc	18"	5 pairs
4172G20	Zinc	20"	5 pairs
4172G22	Zinc	22"	5 pairs
4172G24	Zinc	24"	5 pairs
4172G26	Zinc	26"	5 pairs
4172G28	Zinc	28"	5 pairs
T4172G12	Zinc	12"	1 pair
T4172G14	Zinc	14"	1 pair
T4172G16	Zinc	16"	1 pair
T4172G18	Zinc	18"	1 pair
T4172G20	Zinc	20"	1 pair
T4172G22	Zinc	22"	1 pair
T4172G24	Zinc	24"	1 pair
T4172G26	Zinc	26"	1 pair
T4172G28	Zinc	28"	1 pair

### Full Extension Slide

- Applications: Cabinets, desks, kitchen drawers
- Features: Hold-in detent. Disconnect by rail
- Mounting: Side
- Extension: Full
- Capacity: 75 lbs per pair (34 kg) based on an 18" slide
- Action: Steel ball bearings
- Required space: 0,50" + 1/32", -0,00"

Sold by pair

PRODUCT	FINISH	SLIDE LENGTH	QTY/BOX
26322G16	Zinc	16"	10 pairs
26322G18	Zinc	18"	10 pairs
26322G22	Zinc	22"	10 pairs



- 1 SCREWS AND FASTENERS
- 2 FURNITURE EQUIPMENT
- 3 HINGES
- 4 SLIDES
- 5 CASTERS AND LEGS
- 6 KITCHEN SOLUTIONS
- 7 CLOSET SOLUTIONS
- 8 LIGHTING SOLUTIONS
- 9 SINKS AND FAUCETS
- 10 OFFICE
- 11 SLIDING DOORS SYSTEMS
- 12 GLASS HARDWARE
- 13 PANELS AND SURFACES
- 14 EDGE-BANDING
- 15 CABINET DOORS AND DRAWERS
- 16 MOLDINGS, CORBELS AND WINE CELLARS
- 17 GLUES, SILICONES, CAULK AND INSULATING
- 18 TOOLS AND SECURITY
- 19 FINISHING PRODUCTS AND ABRASIVES
- 20 COMMERCIAL DISPLAY AND HARDWARE
- 21 BUILDERS HARDWARE

# Accuride Slides

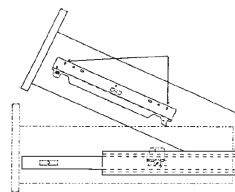
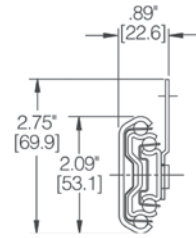


## Richelieu Section 4H

### Heavy-Duty Slide

- Applications: Commercial
- Features: Hold-in detent. Suspension rail system
- Mounting: Side or under / flat mount
- Extension: 1" over-travel
- Capacity: 200 lbs per pair on the side (90 kg) based on an 18" slide
- 75 lbs per pair on flat mounted (34 kg)
- Action: Steel ball bearings
- Required space: 0,89"

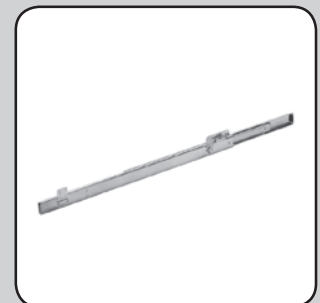
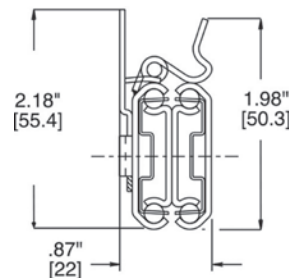
PRODUCT	FINISH	LENGTH	QTY/BOX
36402G12	Zinc	12"	7 pairs
36402G14	Zinc	14"	7 pairs
36402G16	Zinc	16"	7 pairs
36402G18	Zinc	18"	7 pairs
36402G20	Zinc	20"	7 pairs
36402G22	Zinc	22"	5 pairs
36402G24	Zinc	24"	5 pairs
36402G26	Zinc	26"	5 pairs
36402G28	Zinc	28"	5 pairs
T36402G12	Zinc	12"	1 pair
T36402G14	Zinc	14"	1 pair
T36402G16	Zinc	16"	1 pair
T36402G18	Zinc	18"	1 pair
T36402G20	Zinc	20"	1 pair
T36402G22	Zinc	22"	1 pair
T36402G24	Zinc	24"	1 pair
T36402G26	Zinc	26"	1 pair
T36402G28	Zinc	28"	1 pair



### Butcher Block Slide

- Applications: For cutting board, typewriter shelves
- Features: Lock in extended position. Easy to disconnect
- Suspension bracket system
- Mounting: Side
- Extension: Full
- Capacity: 110 lbs per pair (50kg) based on an 18" slide
- Action: Steel ball bearings
- Required space: 0,87"

PRODUCT	FINISH	LENGTH	QTY/BOX
T3402G16	Zinc	16"	1 pair
T3402G20	Zinc	20"	1 pair
T3402G22	Zinc	22"	1 pair





I Slides I

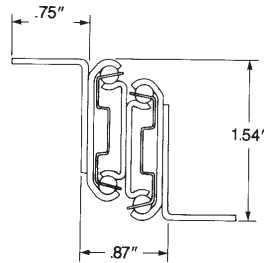
# Accuride Slides

*Accuride*

## Richelieu Section 4H

### Pull-Out Pantry Slide

- Applications: Residential, kitchen, T.V., pantry
- Features: Hold-in detent
- Mounting: Top and under drawer mounting
- Extension: 13/16" over-travel
- Capacity: 155 lbs per pair (70 kg) based on an 18" slide
- Action: Steel ball bearings
- Required space: 1,54" vertical, 2,25" horizontal

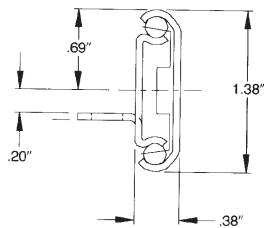


PRODUCT	FINISH	SLIDE LENGTH	QTY/BOX
T30125902G12	Zinc	12"	1 pair
T30125902G14	Zinc	14"	1 pair
T30125902G16	Zinc	16"	1 pair
T30125902G18	Zinc	18"	1 pair
T30125902G20	Zinc	20"	1 pair
T30125902G22	Zinc	22"	1 pair
T30125902G24	Zinc	24"	1 pair
T30125902G26	Zinc	26"	1 pair
T30125902G28	Zinc	28"	1 pair

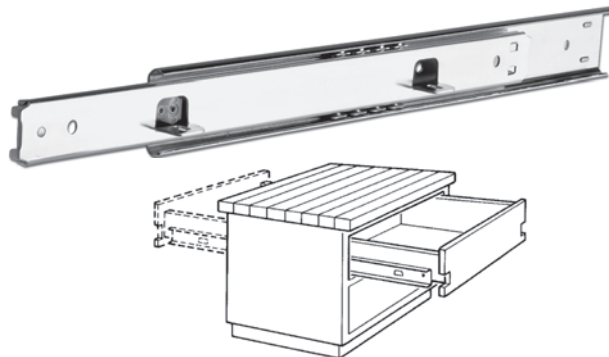


### Two-Way Travel Slide

- Applications: Residential, kitchen
- Features: Hold-in detent center position
- Mounting: Side
- Extension: 75% length of slide
- Capacity: 50 lbs per pair (22 kg) based on an 18" slide
- Action: Steel ball bearings
- Required space: 0,38"



PRODUCT	FINISH	SLIDE LENGTH	QTY/BOX
T20022G14	Zinc	14"	1 pair
T20022G16	Zinc	16"	1 pair
T20022G18	Zinc	18"	1 pair
T20022G20	Zinc	20"	1 pair
T20022G22	Zinc	22"	1 pair
T20022G24	Zinc	24"	1 pair



- 1 SCREWS AND FASTENERS
- 2 FURNITURE EQUIPMENT
- 3 HINGES
- 4 SLIDES
- 5 CASTERS AND LEGS
- 6 KITCHEN SOLUTIONS
- 7 CLOSET SOLUTIONS
- 8 LIGHTING SOLUTIONS
- 9 SINKS AND FAUCETS
- 10 OFFICE
- 11 SLIDING DOORS SYSTEMS
- 12 GLASS HARDWARE
- 13 PANELS AND SURFACES
- 14 EDGE-BANDING
- 15 CABINET DOORS AND DRAWERS
- 16 MOLDINGS, CORBELS AND WINE CELLARS
- 17 GLUES, SILICONES, CAULK AND INSULATING
- 18 TOOLS AND SECURITY
- 19 FINISHING PRODUCTS AND ABRASIVES
- 20 COMMERCIAL DISPLAY AND HARDWARE
- 21 BUILDERS HARDWARE

CCRM 2018

# Accuride Slides



# Richelieu Section 4H

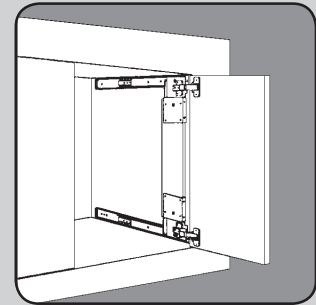
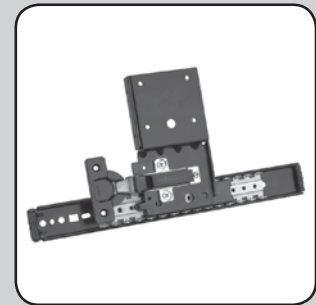
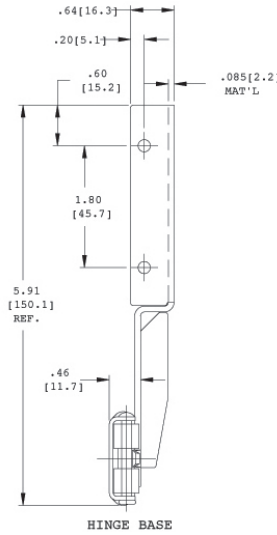
## « Flipper Door » Slide (1-2-3 system)

- Applications: Commercial, residential, libraries
- Features: Horizontal and vertical mounting
- Mounting: (1-2-3) includes hinges / (1-2-3-4) hinges must be ordered separately
- Extension: Extension loss of 4-1/2"
- Capacity: 30 lbs per door (13 kg) based on an 18" slide
- Max. door size: 42" x 24"
- Action: Steel ball bearings

PRODUCT	FINISH	SLIDE LENGTH	QTY/BOX
T1239012	Black	12"	1 pair
T1239014	Black	14"	1 pair
T1239016	Black	16"	1 pair
T1239018	Black	18"	1 pair
T1239020	Black	20"	1 pair
T1239022	Black	22"	1 pair
T1239024	Black	24"	1 pair
T1239026	Black	26"	1 pair
T1239028	Black	28"	1 pair

**IMPORTANT:**

Supplied hinges with the (1-2-3) system allows the installation of inset doors of 3/4" or 13/16" thick. For any other use, refer to the system (1-2-3-4) below according to your needs.



## « Flipper Door » Slide (1-2-3-4 system)

PRODUCT	FINISH	SLIDE LENGTH	QTY/BOX
T12349014	Black	14"	1 pair
T12349016	Black	16"	1 pair
T12349018	Black	18"	1 pair
T12349020	Black	20"	1 pair
T12349022	Black	22"	1 pair
T12349024	Black	24"	1 pair

**REQUIRED HINGES SET ACCORDING TO THE INSTALLATION (1-2-3-4)**

- 41800300 Inset door maximum 15/16"
- 41800313 Inset thick door maximum 1-1/4"
- 41800314 Overlay door. Maximum overlay of 7/16"
- For the 41800313 and 41800314 sets, we suggest the use of the 40 mm drill bit M01ZB4002
- On raised panel door, the stile width has to be 2-7/16" when using 40 mm hinge

41800300 includes:  
 2 hinges 71M965180 Blum  
 2 mounting plates 175H91018  
 All the necessary screws



41800313, 41800314 includes:  
 2 hinges (40 mm) Salice  
 2 mounting plates  
 All the necessary screws



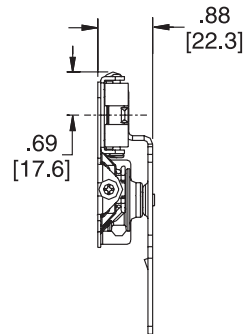
# Accuride Slides



## Richelieu Section 4H

### Anti-Rak «Flipper Door» Slide

- Applications: Commercial, residential
- Features: Anti-rak cable eliminates door sag. Hinges and mounting plates sold separately
- Mounting: Side
- Extension: Extension loss of 4-1/2"
- Capacity: 75 lbs per pair (34 kg)
- Max. door size: 78" (may combine two systems)
- Action: Steel ball bearings and cable system. With 35 mm hinge included
  - inst. inset door from 3/4" to 13/16" thick. With 40 mm hinge (41800394)
  - inst. inset door from 15/16" to 1-1/4" thick. Overlay mounting possible (41800292) - see graphics at the bottom of the page



PRODUCT	FINISH	SLIDE LENGTH	QTY/BOX
T14329012	Black	12"	1 pair
T14329014	Black	14"	1 pair
T14329016	Black	16"	1 pair
T14329018	Black	18"	1 pair
T14329020	Black	20"	1 pair
T14329022	Black	22"	1 pair
T14329024	Black	24"	1 pair
T14329026	Black	26"	1 pair
T14329028	Black	28"	1 pair

DOOR HEIGHT	NUMBER OF HINGES PER DOOR
36" to 47"	3
47" to 59"	4
59" to 71"	5
Over 71"	6

### Hinge Carrier Strip (2 Strips, Brackets and Screws)

Sold by pair

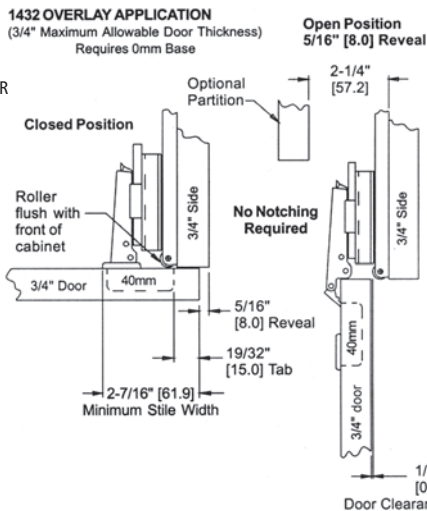
PRODUCT	FINISH	DOORS OPENING	QTY/BOX
41800408	Black	36" to 56"	10

To install two doors from 56" to 78", 3 kits 41800408 are necessary.

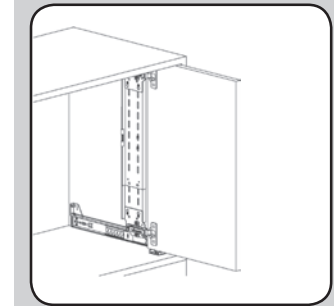
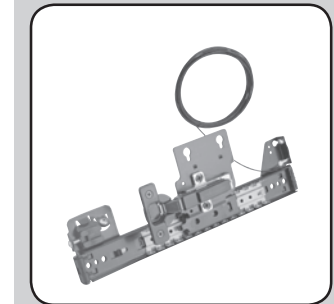
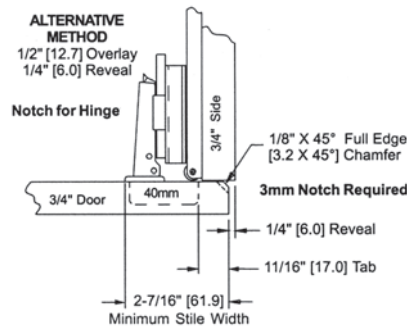
### Hinges and Mounting Plates Kit

PRODUCT	FINISH	DESCRIPTION	QTY/BOX
41800407	Black	35 mm hinges kit for inset door 3/4" to 7/16"	1 kit
41800389	Zinc	35 mm hinges kit for inset door 3/4" to 7/16"	1 kit
41800394	Zinc	40 mm hinges kit for inset door 15/16" to 1-1/4"	1 kit
41800292	Zinc	40 mm hinges kit for overlay door 3/4" (7/16" maximum overlay)	1 kit

41800292  
7/16" OVERLAY  
WITHOUT CHAMFER



5/8" OVERLAY  
WITH CHAMFER



- 1 SCREWS AND FASTENERS
- 2 FURNITURE EQUIPMENT
- 3 HINGES
- 4 SLIDES
- 5 CASTERS AND LEGS
- 6 KITCHEN SOLUTIONS
- 7 CLOSET SOLUTIONS
- 8 LIGHTING SOLUTIONS
- 9 SINKS AND FAUCETS
- 10 OFFICE
- 11 SLIDING DOORS SYSTEMS
- 12 GLASS HARDWARE
- 13 PANELS AND SURFACES
- 14 EDGE-BANDING
- 15 CABINET DOORS AND DRAWERS
- 16 MOLDINGS, CORBELS AND WINE CELLARS
- 17 GLUES, SILICONES, CAULK AND INSULATING
- 18 TOOLS AND SECURITY
- 19 FINISHING PRODUCTS AND ABRASIVES
- 20 COMMERCIAL DISPLAY AND HARDWARE
- 21 BUILDERS HARDWARE

CCRM 2018

I Slides I

## Accuride Slides

*Accuride*

## Richelieu Section 4H

### « Flipper Door » Slide

- Applications: Commercial, residential
- Features: Door gap can be minimized to zero. Detent out optional
- Mounting: Side
- Capacity: 25 lbs per pair (11 kg)
- Max. door width: 36"
- Action: Steel ball bearings
- Door thickness: 3/4" to 7/8"

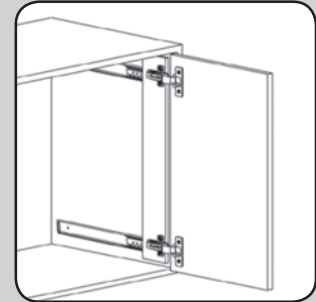
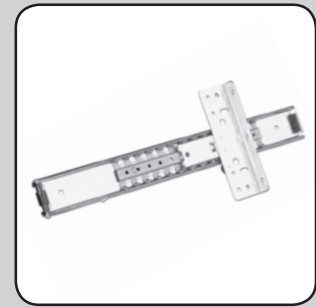
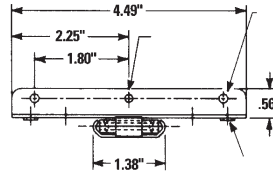
PRODUCT	FINISH	SLIDE LENGTH	EXTENSION	QTY/BOX
T1172G12	Zinc	12"	8.48"	1 pair
T1172G18	Zinc	18"	14.48"	1 pair

Note: hinges not included

Recommended hinges:

Hinge 71M955180 and mounting plate 175H710180 CLIP

\*Partitions mounting required (technical data sheet available upon request)



CCRM 2018

# Accuride Slides

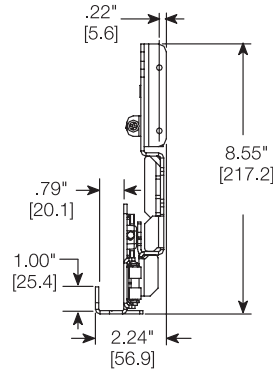


## Richelieu Section 4H

### «Pro Pocket» Door Slide

- Applications: Vertical and horizontal pocket doors on entertainment centers, wall units and cabinets in residential and commercial applications
- Features: Provides full 3/4" overlay on side panels. Virtually eliminates door scarring and damage. Attached brackets for easy panel installation and removal. Auto-opening ensures doors fully extend to prevent door damage
- Capacity: 30 lb per pair (14 kg) based on an 18" slide
- Max. door size: 42"
- Action: Steel ball bearings

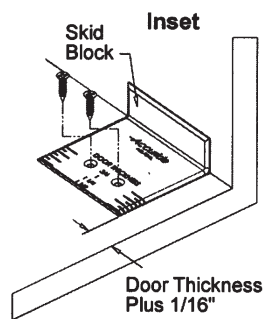
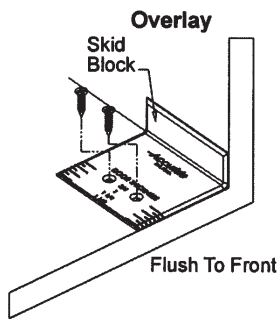
PRODUCT	FINISH	SLIDE LENGTH	EXTENSION	QTY/BOX
T13219016	Black	16"	11-3/8"	1 pair
T13219018	Black	18"	13-3/8"	1 pair
T13219020	Black	20"	15-3/8"	1 pair
T13219022	Black	22"	17-3/8"	1 pair
T13219024	Black	24"	19-3/8"	1 pair
T13219026	Black	26"	21-3/8"	1 pair
T13219028	Black	28"	23-3/8"	1 pair



### MAXIMUM OVERLAY

DOOR THICKNESS	3/4" (19.1 MM)	5/8" (15.9 MM)	1/2" (12.7 MM)	1/4" (6.4 MM)	INSET
3/4" (19.1 mm)	X				
7/8" (22.2 mm)		X			
1" (25.4 mm)			X		
1-1/4" (31.8 mm)				X	
1-1/2" (38.1 mm)					X

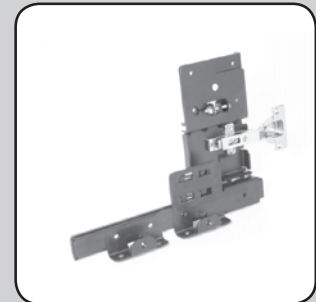
APPLICATION	DOOR THICKNESS	TAB	MAXIMUM OVERLAY	SKID BLOCK
Overlay	3/4" (19.1 mm)	1/2" (12.7 mm)	3/4" (19.1 mm)	Flush to front
Overlay	7/8" (22.2 mm)	1/2" (12.7 mm)	5/8" (15.9 mm)	Flush to front
Overlay	1" (25.4 mm)	1/2" (12.7 mm)	1/2" (12.7 mm)	Flush to front
Overlay	1-1/4" (31.8 mm)	1/2" (12.7 mm)	1/4" (6.4 mm)	Flush to front
Inset	3/4" to 1-1/2" (19.1 mm to 38.1 mm)	3/8" (9.5 mm)	Inset	Door thickness +1/16" (1.6 mm)



### DOOR SIZE

Thickness:  
19 to 38 mm (3/4" to 1-1/2")

Vertical doors:  
1067 by 610 mm (42" by 24")



- 1 SCREWS AND FASTENERS
- 2 FURNITURE EQUIPMENT
- 3 HINGES
- 4 SLIDES
- 5 CASTERS AND LEGS
- 6 KITCHEN SOLUTIONS
- 7 CLOSET SOLUTIONS
- 8 LIGHTING SOLUTIONS
- 9 SINKS AND FAUCETS
- 10 OFFICE
- 11 SLIDING DOORS SYSTEMS
- 12 GLASS HARDWARE
- 13 PANELS AND SURFACES
- 14 EDGE-BANDING
- 15 CABINET DOORS AND DRAWERS
- 16 MOLDINGS, CORBELS AND WINE CELLARS
- 17 GLUES, SILICONES, CAULK AND INSULATING
- 18 TOOLS AND SECURITY
- 19 FINISHING PRODUCTS AND ABRASIVES
- 20 COMMERCIAL DISPLAY AND HARDWARE
- 21 BUILDERS HARDWARE

# Accuride Slides



## Richelieu Section 4H

### «Interlock» Drawer Slide

When only one drawer should open at a time, the new rod-based Interlock system is the solution. This reliable self-contained system is used with the 3600 slide series designed specifically for wide file drawers. This revolutionary system allows only one drawer to open at a time and is functionally superior to any other interlock system in the marketplace today. By integrating the interlock device into the front of the slide assembly, this system solves many of the installation and service issues associated with conventional locking systems mounted in the rear of the cabinet.

#### INTERLOCK SYSTEM FEATURES

- Front location eliminates reaching during installation
- Easy interface with a central locking system
- Adjustable rod lengths accommodate modular cabinet construction
- Self-contained system reduces installation time
- Sturdy rod and cam construction requires no periodic adjustments

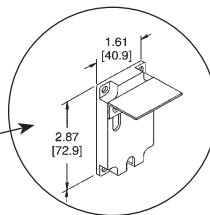
- Applications: Commercial, residential
- Features: Central locking system
- Mounting: Side mounting
- Extension: 1" over-travel
- Capacity: 180 lbs per pair (82kg) based on an 18" slide
- Action: Steel ball bearings
- Drawers up to 42" wide

PRODUCT	FINISH	SLIDE LENGTH	QTY/BOX
36412G16	Zinc	16"	1 kit
36412G18	Zinc	18"	1 kit
36412G20	Zinc	20"	1 kit

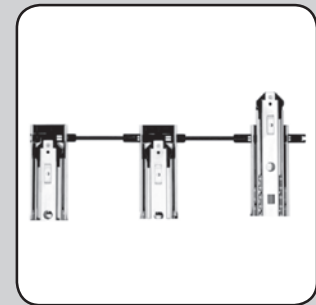
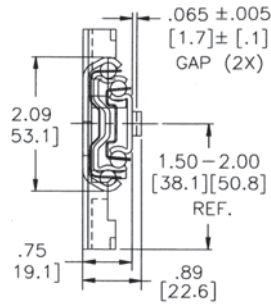
Sold only by 2 kits minimum

#### EACH KIT INCLUDES ALL YOU NEED TO MOUNT TWO DRAWERS:

- 1 x Interlock slide
- 1 x companion slide
- 1 x mounting rail (left)
- 1 x mounting rail (right)
- 1 x 12" connecting rod
- Screws and instructions



No. 41800345 ACTIVATION BOX (Sold separately by unit)  
 \* Complementary product: Lockset 18922XX



# Accuride Slides



## Richelieu Section 4H

### Extra Heavy-Duty Drawer Slide

- Applications: Commercial, residential
- Features: Drawer silencing feature
- Mounting: Side or flat
- Extension: Full extension
- Capacity: See application chart below based on an 18" slide
- Action: Steel ball bearings

PRODUCT	FINISH	SLIDE LENGTH	QTY/BOX
*T93012G10	Zinc	10"	1 pair
*T93012G14	Zinc	14"	1 pair
T93012G16	Zinc	16"	1 pair
T93012G18	Zinc	18"	1 pair
T93012G20	Zinc	20"	1 pair
T93012G22	Zinc	22"	1 pair
T93012G24	Zinc	24"	1 pair
T93012G26	Zinc	26"	1 pair
T93012G28	Zinc	28"	1 pair
T93012G30	Zinc	30"	1 pair
T93012G32	Zinc	32"	1 pair
T93012G34	Zinc	34"	1 pair
T93012G36	Zinc	36"	1 pair
*T93012G42	Zinc	42"	1 pair
T93012G48	Zinc	48"	1 pair
T93012G60	Zinc	60"	1 pair
93012G10	Zinc	10"	4 pairs
93012G12	Zinc	12"	4 pairs
93012G14	Zinc	14"	4 pairs
93012G16	Zinc	16"	4 pairs
93012G18	Zinc	18"	4 pairs
93012G20	Zinc	20"	4 pairs
93012G22	Zinc	22"	4 pairs
93012G24	Zinc	24"	4 pairs
93012G26	Zinc	26"	4 pairs
93012G30	Zinc	30"	4 pairs
93012G32	Zinc	32"	4 pairs
93012G34	Zinc	34"	4 pairs
93012G36	Zinc	36"	4 pairs

\*Available on special order (minimum multiple of 4 pairs)

### Application Chart

#### MODERATE USE

- Load rated at 500 lbs (227 kg) per pair. Drawer width to 18". Cycled 10 000 times. Ideal for sliding pantries.

#### FREQUENT USE

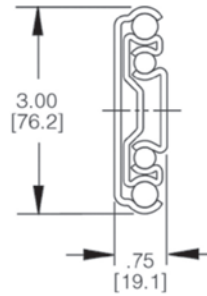
- Load rated at 400 lbs (181 kg) per pair. Drawer width to 42". Cycled 75 000 times. Ideal for large pantry pull-outs, toolboxes...

#### MOBILE VEHICULAR

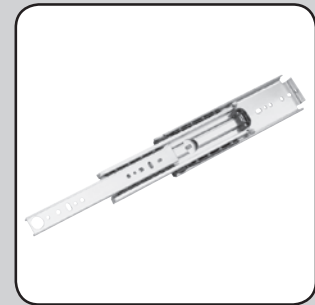
- Load rated at 300 lbs. per pair. Drawer width to 32". Ideal for emergency vehicle, trucks...

#### FLAT MOUNT

- Load rated at 150 lbs. per pair. Drawer width to 32". Cycled 10 000 times. Ideal anywhere side space is limited.



Please see next page for Brackets



- 1 SCREWS AND FASTENERS
- 2 FURNITURE EQUIPMENT
- 3 HINGES
- 4 SLIDES
- 5 CASTERS AND LEGS
- 6 KITCHEN SOLUTIONS
- 7 CLOSET SOLUTIONS
- 8 LIGHTING SOLUTIONS
- 9 SINKS AND FAUCETS
- 10 OFFICE
- 11 SLIDING DOORS SYSTEMS
- 12 GLASS HARDWARE
- 13 PANELS AND SURFACES
- 14 EDGE-BANDING
- 15 CABINET DOORS AND DRAWERS
- 16 MOLDINGS, CORBELS AND WINE CELLARS
- 17 GLUES, SILICONES, CAULK AND INSULATING
- 18 TOOLS AND SECURITY
- 19 FINISHING PRODUCTS AND ABRASIVES
- 20 COMMERCIAL DISPLAY AND HARDWARE
- 21 BUILDERS HARDWARE

**CAUTION**  
THIS SLIDE MUST NEVER BE USED AS A PULL-OUT STEP, PLATFORM OR ANY OTHER APPLICATION SUPPORTING HUMAN WEIGHT AS INJURY MAY RESULT.

CCRM 2018

### Brackets for 9301 Slide

- Capacity: Drawer up to 42" width (1067 mm) = 350 lbs (160 kg)

PRODUCT	FINISH	BRACKET LENGTH	QTY/BOX
41800471	Zinc	12"	4 sets
41800472	Zinc	16"	4 sets
41800473	Zinc	22"	4 sets
41800474	Zinc	28"	4 sets

### Number of Sets Required / Slides Length

BRACKET SIZE PRODUCT	12"		16"		22"		28"	
	41800471	41800472	41800473	41800474				
MOUNTING	SIDE	BOTTOM	SIDE	BOTTOM	SIDE	BOTTOM	SIDE	BOTTOM
<b>SLIDE'S NO.</b>								
T93012G12	1	2	-	-	-	-	-	-
T93012G14	1	2	-	-	-	-	-	-
T93012G16	-	-	1	2	-	-	-	-
T93012G18	-	-	1	2	-	-	-	-
T93012G20	-	-	1	2	-	-	-	-
T93012G22	-	-	-	-	1	2	-	-
T93012G24	-	-	-	-	1	2	-	-
T93012G26	-	-	-	-	1	2	-	-
T93012G28	-	-	-	-	-	-	1	2
T93012G30	-	-	-	-	-	-	1	2
T93012G32	-	-	-	-	-	-	1	2
T93012G34	2	4	-	-	-	-	-	-
T93012G36	2	4	-	-	-	-	-	-
T93012G40	1	2	-	-	1	2	-	-
T93012G42	1	2	-	-	1	2	-	-
T93012G48	1	2	-	-	-	-	1	2
T93012G60	-	-	-	-	1	2	1	2

The brackets allow 6 different combinations of assembly:

- 2 side mounting configurations (1 set required)
- 4 bottom mounting configurations (2 sets required)

**Example:**

To side mount slide T93012G48, order:

- 1 kit 41800471
- 1 kit 41800474

To bottom mount slide T93012G48, order:

- 2 kits 41800471
- 2 kits 41800474

1 - Side mounting



2 - Side mounting



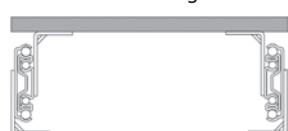
3 - Bottom mounting



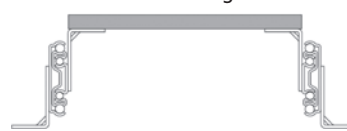
4 - Bottom mounting



5 - Bottom mounting



6 - Bottom mounting



**6**  
Combinations



# Accuride Slides



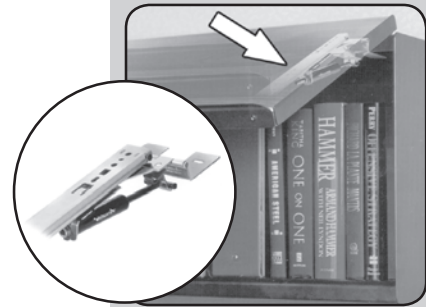
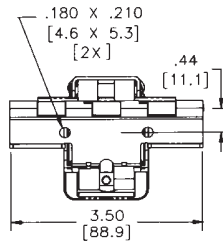
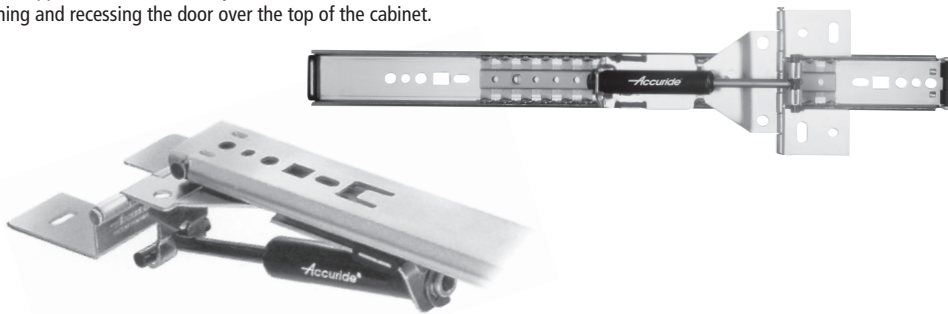
## Richelieu Section 4H

### « Easy Down » Slide

- Applications: Wood binder storage cabinets
- Features: Easy down hydraulic dampener
- Mounting: Top
- Extension: 3/4 extension
- Capacity: 30 lbs per pair (13 kg)
- Action: Steel ball bearings and hydraulic system
- Required space: None (recessed)
- For a 48" maximum width door

PRODUCT	FINISH	SLIDE LENGTH	EXTENSION	QTY/BOX
T11559012	Black	12"	7.64"	1 pair
T11559014	Black	14"	9.64"	1 pair
T11559016	Black	16"	11.64"	1 pair
T11559018	Black	18"	13.64"	1 pair
T11559020	Black	20"	15.64"	1 pair

« Easy-Down » is a hydraulic damping system that increases safety in the workplace or home by slowing the speed at which overhead doors close. The device is self contained on the flipper door slide assembly and does not alter the conventional movement of opening and recessing the door over the top of the cabinet.

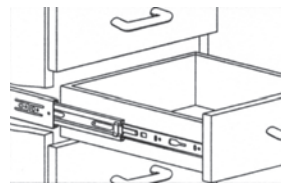
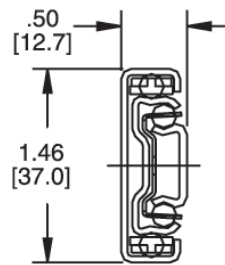


### Full Extension Slide

- Applications: Commercial, residential, kitchen
- Features: Hold-in detent. Unhanded latch disconnect. Front face frame mounting hole
- Mounting: Side
- Extension: Full
- Capacity: 100 lbs per pair (45 kg) based on an 18" slide
- Action: Steel ball bearings
- Required space: 0,50" + 1/32", -0,00"

Sold by pair

PRODUCT	FINISH	SLIDE LENGTH	QTY/BOX
37322G12	Zinc	12"	10 pairs
37322G14	Zinc	14"	10 pairs
37322G16	Zinc	16"	10 pairs
37322G18	Zinc	18"	10 pairs
37322G20	Zinc	20"	10 pairs
37322G22	Zinc	22"	10 pairs
37322G24	Zinc	24"	10 pairs
37322G26	Zinc	26"	10 pairs



- 1 SCREWS AND FASTENERS
- 2 FURNITURE EQUIPMENT
- 3 HINGES
- 4 SLIDES
- 5 CASTERS AND LEGS
- 6 KITCHEN SOLUTIONS
- 7 CLOSET SOLUTIONS
- 8 LIGHTING SOLUTIONS
- 9 SINKS AND FAUCETS
- 10 OFFICE
- 11 SLIDING DOORS SYSTEMS
- 12 GLASS HARDWARE
- 13 PANELS AND SURFACES
- 14 EDGE-BANDING
- 15 CABINET DOORS AND DRAWERS
- 16 MOLDINGS, CORBELS AND WINE CELLARS
- 17 GLUES, SILICONES, CAULK AND INSULATING
- 18 TOOLS AND SECURITY
- 19 FINISHING PRODUCTS AND ABRASIVES
- 20 COMMERCIAL DISPLAY AND HARDWARE
- 21 BUILDERS HARDWARE

# Accuride Slides



## Richelieu Section 4H

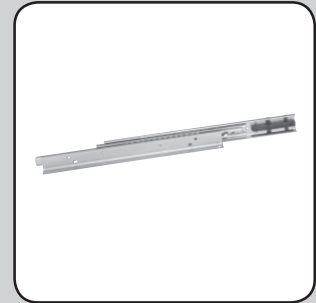
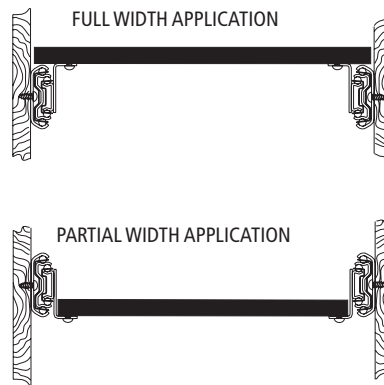
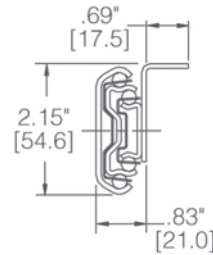
### «StowAway» Slide Side Mounting

- Applications: Kitchen (sliding wastebins, sliding pantries etc.)
- Features: Self closing system. Disconnect by lever. Silenced movement
- Mounting: Drawer's side
- Extension: Full
- Capacity: 175 lbs (80 kg) per pair
- Action: Steel ball bearings
- Required space: 0,83" (21 mm)

Sold by pair

PRODUCT	FINISH	SLIDE LENGTH	QTY/BOX
T36002G200	Zinc	22"	10 pairs

- All fasteners included
- Side mounting
- Recommended screws: Slide = Truss head no. 8  
Bracket = Round head no. 10



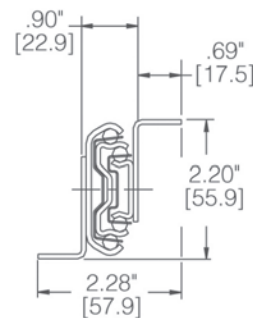
### «StowAway» Slide Bottom Mounting

- Applications: Kitchen (sliding wastebins, sliding pantries etc.)
- Features: Self closing system. Disconnect by lever. Silenced movement
- Mounting: Drawer's bottom
- Extension: Full
- Capacity: 175 lbs (80 kg) per pair
- Action: Steel ball bearings
- Required space: 2,20", 56 mm

Sold by pair

PRODUCT	FINISH	SLIDE LENGTH	QTY/BOX
T36002G201	Zinc	22"	10 pairs

- All fasteners included
- Bottom mounting
- Recommended screws: Slide = Truss head no. 8  
Bracket = Round head no. 10



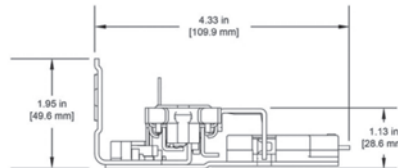
# Slides

## Accuride Slides

Accuride's high-performance undermount slide was created specifically for architectural and contact furniture professionals who demand a robust and reliable soft-close undermount. The Eclipse 3135EC has been re-designed to improve sensorial movement, reduce pull force and noise, minimize deflection, and increase soft-close reliability. The new product features a compact design with an internal Easy-Close mechanism, while offering a unique 3-way drawer front adjustment feature for ease installation.

### Features and distinctions

- ADA compliant - with 4.8 lb of pull force (up to 100 lb)
- Fluid dampener resists slam without adding bounce-back
- Smooth and consistent soft-close action and movement
- Multiple drawer-front adjustment features horizontal, vertical, and front-to-back adjustment for ease of installation
- New interior easy-close mechanism reduces envelope of product (perfect for narrow drawer sizes)
- Lower spacer clip with additional plastic ball bearings provides added lateral support, reduced migration, and side-to-side movement
- New disconnect lever design provides easy front-to-back and in-and-out adjustment of up to 3/16" and secures position
- Supports drawers up to 30" wide
- Improved full extension movement
- ANSI BHMA certified

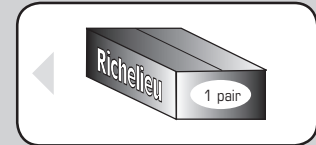
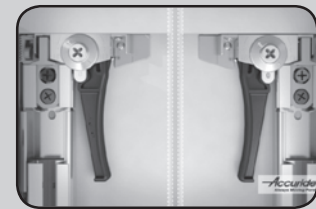
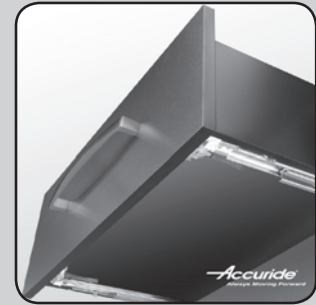


Accuride

ECLIPSE



## Richelieu Section 4H



### 3135EC Series

PRODUCT	FINISH	LENGTH	QTY/BOX
T3135EC2G12	Zinc	12"	1 pair
T3135EC2G14	Zinc	14"	1 pair
T3135EC2G15	Zinc	15"	1 pair
T3135EC2G16	Zinc	16"	1 pair
T3135EC2G18	Zinc	18"	1 pair
T3135EC2G20	Zinc	20"	1 pair
T3135EC2G21	Zinc	21"	1 pair
T3135EC2G22	Zinc	22"	1 pair
T3135EC2G24	Zinc	24"	1 pair
T3135EC2G26	Zinc	26"	1 pair
T3135EC2G28	Zinc	28"	1 pair

PRODUCT	FINISH	LENGTH	QTY/BOX
3135EC2G12	Zinc	12"	6 pairs
3135EC2G14	Zinc	14"	6 pairs
3135EC2G16	Zinc	16"	6 pairs
3135EC2G18	Zinc	18"	6 pairs
3135EC2G20	Zinc	20"	6 pairs
3135EC2G21	Zinc	21"	6 pairs
3135EC2G22	Zinc	22"	6 pairs
3135EC2G24	Zinc	24"	6 pairs

### Suggested Product(s):

- 41800604 – Front Inset Bracket for Face Frame Cabinets
- 41800603 – Eclipse Tool Kit
- 41800569 – Bottom Mount Bracket
- 41800568 – Drill Jig for Eclipse Slide

- 1 SCREWS AND FASTENERS
- 2 FURNITURE EQUIPMENT
- 3 HINGES
- 4 SLIDES
- 5 CASTERS AND LEGS
- 6 KITCHEN SOLUTIONS
- 7 CLOSET SOLUTIONS
- 8 LIGHTING SOLUTIONS
- 9 SINKS AND FAUCETS
- 10 OFFICE
- 11 SLIDING DOORS SYSTEMS
- 12 GLASS HARDWARE
- 13 PANELS AND SURFACES
- 14 EDGE-BANDING
- 15 CABINET DOORS AND DRAWERS
- 16 MOLDINGS, CORBELS AND WINE CELLARS
- 17 GLUES, SILICONES, CAULK AND INSULATING
- 18 TOOLS AND SECURITY
- 19 FINISHING PRODUCTS AND ABRASIVES
- 20 COMMERCIAL DISPLAY AND HARDWARE
- 21 BUILDERS HARDWARE

CCRM 2018

# Accuride Slides



# Richelieu Section 4H

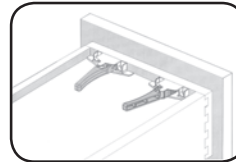
## ECLIPSE Disconnect Lever Set

- Vertical or horizontal levers
- Cast base for reliability and toughness

Sold by pair

PRODUCT	TYPE	DESCRIPTION	QTY/BOX
41800559	Horizontal	Lever assemblies / right & left (sold in bag containing right & left)	60 pairs
41800584	Vertical	Lever assemblies / right & left / in bulk	60 pairs

PRODUCT	DESCRIPTION	QTY/BOX
41800747	Disconnecting lever kit / right & left	60 pairs



Levers (right & left) fits on drawer box bottom

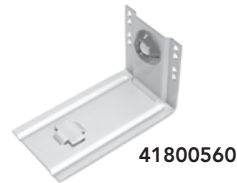


## ECLIPSE Mounting Bracket

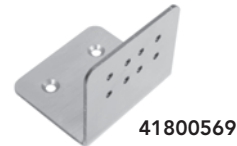
- Heavy-duty bracket made of steel
- Multiple hole for more and easy adjustment

Sold by pair

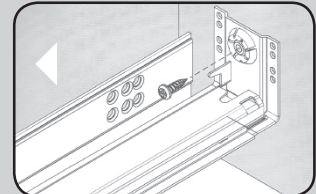
PRODUCT	MOUNTING	DESCRIPTION	QTY/BOX
41800560	Back	Bracket for frame application	60 pairs
41800569	Bottom	Bracket for bottom mounting	60 pairs



Frame cabinet



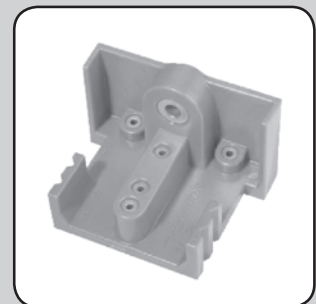
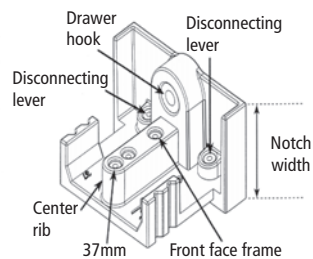
Bottom mounting



## ECLIPSE Drilling Jig

- Heavy-duty plastic jig
- Usefull for a wide range of drilling for ECLIPSE slides mounting

PRODUCT	DESCRIPTION	QTY/BOX
41800568	Eclipse slide drilling jig	1



# R SERIES SLIDES

## 908 - Double Wall Drawer System

The 908 steel double wall drawer system is a new advancement in drawer system refinements for an economical price point. Featuring proven Dual synchronizing technology for a smooth opening with minimum opening force requirements. Heavy duty components provide a side high capacity weight capacity of 77 lb (35 kg).

- Elegant design
- Complete and convenient; packaged complete with all parts to create a standard drawer
- Outstanding performance; rack and pinion sliding technology for superior sliding and high weight capacity
- Available in a grey and white

**Products included in set:**

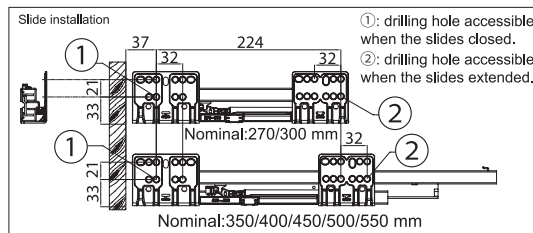
- 1 pair of double wall steel sides
- 1 pair of slides
- 1 pair of rear fixing brackets
- 1 pair of front fixing brackets with dowel
- 2 pairs of plastic cover caps
- 16 screws 3.5 x 15 mm with Pozi Drive

PRODUCT	FINISH	SLIDE LENGTH	QTY/BOX
90884270106	Gray	11" (270 mm)	1 set
90884300106	Gray	12" (300 mm)	1 set
90884350106	Gray	14" (350 mm)	1 set
90884400106	Gray	16" (400 mm)	1 set
90884450106	Gray	18" (450 mm)	1 set
90884500106	Gray	20" (500 mm)	1 set
90884550106	Gray	22" (550 mm)	1 set
9088427030	White	11" (270 mm)	1 set
9088430030	White	12" (300 mm)	1 set
9088435030	White	14" (350 mm)	1 set
9088440030	White	16" (400 mm)	1 set
9088445030	White	18" (450 mm)	1 set
9088450030	White	20" (500 mm)	1 set
9088455030	White	22" (550 mm)	1 set

**R 908 Series - 84mm Components**

Nominal size	Internal drawer depth	Min. internal cabinet depth
270mm	244mm	280mm
300mm	274mm	310mm
350mm	324mm	360mm
400mm	374mm	410mm
450mm	424mm	460mm
500mm	474mm	510mm
550mm	524mm	560mm

1.Cabinet profiles: (L/R)  
 2.Drawer profiles: (L/R)  
 3.Side cover plate  
 4.Front fixing brackets  
 6.BL84 Rear connecting bracket



**R 908 series - 84mm Installation**

Assembling dimensions of cabinet

Front fixing bracket

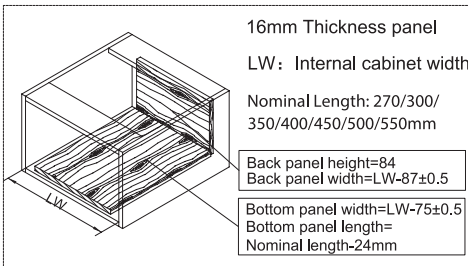
FA: Front Overlay

Drilling hole size on drawer front

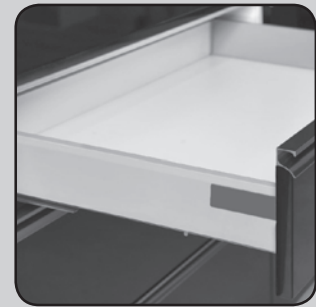
Hole size	Ø2"12	Ø10"12
Use screw	Wood screw	Anchor bolt
Screw size	M3.5*15	M10*10

Drawer back

**Bottom and back panels measurement**



# Richelieu Section 41



- 1 SCREWS AND FASTENERS
- 2 FURNITURE EQUIPMENT
- 3 HINGES
- 4 SLIDES
- 5 CASTERS AND LEGS
- 6 KITCHEN SOLUTIONS
- 7 CLOSET SOLUTIONS
- 8 LIGHTING SOLUTIONS
- 9 SINKS AND FAUCETS
- 10 OFFICE
- 11 SLIDING DOORS SYSTEMS
- 12 GLASS HARDWARE
- 13 PANELS AND SURFACES
- 14 EDGE-BANDING
- 15 CABINET DOORS AND DRAWERS
- 16 MOLDINGS, CORBELS AND WINE CELLARS
- 17 GLUES, SILICONES, CAULK AND INSULATING
- 18 TOOLS AND SECURITY
- 19 FINISHING PRODUCTS AND ABRASIVES
- 20 COMMERCIAL DISPLAY AND HARDWARE
- 21 BUILDERS HARDWARE

# R SERIES SLIDES

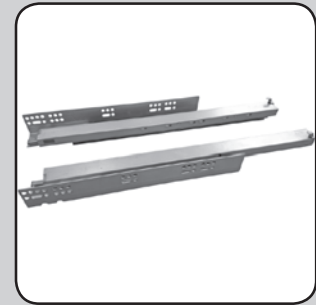
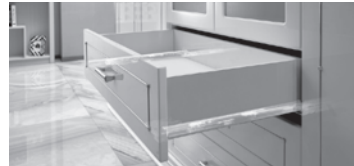
## Richelieu Section 4I

### Series 828 Slides

Synchronized full extension soft-close concealed undermount slide

**Advantages and benefits:**

- Quick and easy assembly
- Fully synchronized
- Soft-close



PRODUCT	FINISH	SLIDE LENGTH	LOAD CAPACITY	SLIDE EXTENSION	QTY/BOX
828270	Zinc	10-5/8" (270 mm)	88 lb (40 kg)	Full Extension	Pair
828300	Zinc	11-13/16" (300 mm)	88 lb (40 kg)	Full Extension	Pair
828350	Zinc	13-25/32" (350 mm)	88 lb (40 kg)	Full Extension	Pair
828400	Zinc	15-3/4" (400 mm)	88 lb (40 kg)	Full Extension	Pair
828450	Zinc	17-23/32" (450 mm)	88 lb (40 kg)	Full Extension	Pair
828500	Zinc	19-11/16" (500 mm)	88 lb (40 kg)	Full Extension	Pair
828550	Zinc	21-21/32" (550 mm)	88 lb (40 kg)	Full Extension	Pair

**Requires one of the following:**

- 8280102 - Locking Device with 4-Dimensional Adjustment - Right Side
- 8280103 - Locking Device with 4-Dimensional Adjustment - Left Side
- 8280202 - Locking Device with 6 Adjustments - Right Side
- 8280203 - Locking Device with 6 Adjustments - Left Side

### Upper Lateral Tubes

PRODUCT	FINISH	LENGHT	QTY/BOX
9084027106	Gray	11" (270 mm)	1 pair
9084030106	Gray	12" (300 mm)	1 pair
9084035106	Gray	14" (350mm)	1 pair
9084040106	Gray	16" (400 mm)	1 pair
9084045106	Gray	18" (450 mm)	1 pair
9084050106	Gray	20" (500 mm)	1 pair
9084055106	Gray	22" (550 mm)	1 pair
90840230	White	11" (270 mm)	1 pair
908403030	White	12" (300 mm)	1 pair
908403530	White	14" (350mm)	1 pair
908404030	White	16" (400 mm)	1 pair
908404530	White	18" (450 mm)	1 pair
908405030	White	20" (500 mm)	1 pair
908405530	White	22" (550 mm)	1 pair

**Required Product(s):**

908R135106, 908R199106 - Rear Brackets



# R SERIES SLIDES

## Accessories

### Middle Lateral Tubes

PRODUCT	FINISH	LENGTH	QTY/BOX
9084127106	Gray	11" (270 mm)	1 pair
9084130106	Gray	12" (300 mm)	1 pair
9084135106	Gray	14" (350mm)	1 pair
9084140106	Gray	16" (400 mm)	1 pair
9084145106	Gray	18" (450 mm)	1 pair
9084150106	Gray	20" (500 mm)	1 pair
9084155106	Gray	22" (550 mm)	1 pair
908412730	White	11" (270 mm)	1 pair
908413030	White	12" (300 mm)	1 pair
908413530	White	14" (350mm)	1 pair
908414030	White	16" (400 mm)	1 pair
908414530	White	18" (450 mm)	1 pair
908415030	White	20" (500 mm)	1 pair
908415530	White	22" (550 mm)	1 pair

Required Product(s):  
908R199106 - Rear Brackets

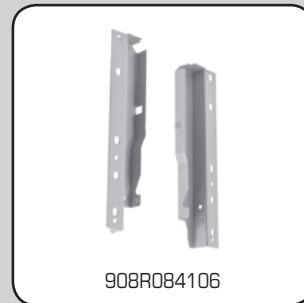
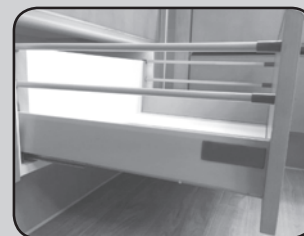
### Rear Bracket

PRODUCT	FINISH	DRAWER HEIGHT	QTY/BOX
908R084106	Gray	3 5/16" (84 mm)	3
908R135106	Gray	5 5/16" (135 mm)	3
908R167106	Gray	6 9/16" (167 mm)	3
908R199106	Gray	7 13/16" (199 mm)	3
908R08430	White	3 5/16" (84 mm)	3
908R13530	White	5 5/16" (135 mm)	3
908R16730	White	6 9/16" (167 mm)	3
908R19930	White	7 13/16" (199 mm)	3

### Front Brackets for Inner Drawer

PRODUCT	FINISH	DRAWER HEIGHT	QTY/BOX
908FPC084100	Gray	3 5/16" (84 mm)	1 pair
908FPC135100	Gray	5 5/16" (135 mm)	1 pair
908FPC199100	Gray	7 13/16" (199 mm)	1 pair
908FPC08430	White	3 5/16" (84 mm)	1 pair
908FPC13530	White	5 5/16" (135 mm)	1 pair
908FPC19930	White	7 13/16" (199 mm)	1 pair

## Richelieu Section 4I



- 1 SCREWS AND FASTENERS
- 2 FURNITURE EQUIPMENT
- 3 HINGES
- 4 SLIDES
- 5 CASTERS AND LEGS
- 6 KITCHEN SOLUTIONS
- 7 CLOSET SOLUTIONS
- 8 LIGHTING SOLUTIONS
- 9 SINKS AND FAUCETS
- 10 OFFICE
- 11 SLIDING DOORS SYSTEMS
- 12 GLASS HARDWARE
- 13 PANELS AND SURFACES
- 14 EDGE-BANDING
- 15 CABINET DOORS AND DRAWERS
- 16 MOLDINGS, CORBELS AND WINE CELLARS
- 17 GLUES, SILICONES, CAULK AND INSULATING
- 18 TOOLS AND SECURITY
- 19 FINISHING PRODUCTS AND ABRASIVES
- 20 COMMERCIAL DISPLAY AND HARDWARE
- 21 BUILDERS HARDWARE

# R SERIES SLIDES

## Accessories

# Richelieu Section 4I

### Front Oval Rail for Inner Drawer

#### FRONT OVAL RAIL FOR INNER DRAWER

PRODUCT	FINISH	QTY/BOX
908FR1100106	Gray	1 pair
908FR110030	White	1 pair

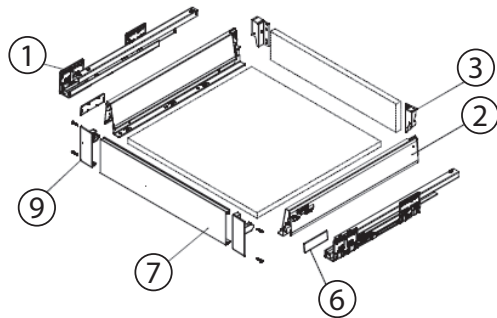
#### REQUIRED ITEMS FOR INSTALLATION

INNER DRAWER HEIGHT	908 DRAWER SYSTEM KIT	FRONT BRACKET FOR INNER DRAWER	FRONT PANEL	OVAL RAIL
84 mm	X	X For 84 mm height	X	-
135 mm	X	X For 135 mm height	X	X
199 mm	X	X For 199 mm height	X	X

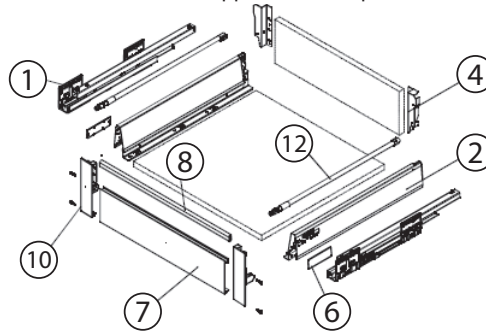


908FR1100106

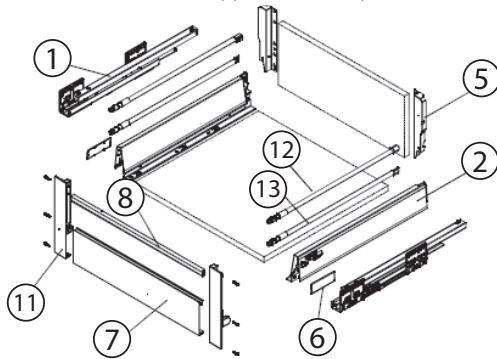
84mm Inner Drawer Application Components



135mm Inner Drawer Application Components



199mm Inner Drawer Application Components



1. Slides
2. Double Wall Sides
3. 84mm Rear Brackets
4. 135mm Rear Brackets
5. 199mm Rear Brackets
6. Plastic Covers
7. Front Panel for Inner Drawer
8. Front Rail for Inner Drawer
9. 84mm Front Panel Connectors (screws incl.)
10. 135mm Front Panel Connectors (screws incl.)
11. 199mm Front Panel Connectors (screws incl.)
12. Upper Lateral Tubes
13. Lower/Mid Lateral Tubes



# R SERIES SLIDES

## Accessories

### Double Lateral Panels

PRODUCT	FINISH	LENGHT	QTY/BOX
908199227106	Gray	11" (270 mm)	1 pair
908199230106	Gray	12" (300 mm)	1 pair
908199235106	Gray	14" (350mm)	1 pair
908199240106	Gray	16" (400 mm)	1 pair
908199245106	Gray	18" (450 mm)	1 pair
908199250106	Gray	20" (500 mm)	1 pair
908199255106	Gray	22" (550 mm)	1 pair
90819922730	White	11" (270 mm)	1 pair
90819923030	White	12" (300 mm)	1 pair
90819923530	White	14" (350mm)	1 pair
90819924030	White	16" (400 mm)	1 pair
90819924530	White	18" (450 mm)	1 pair
90819925030	White	20" (500 mm)	1 pair
90819925530	White	22" (550 mm)	1 pair

For 199 mm drawer height with double lateral panels, the following items are required for the installation:  
908 drawer kit, 1 pair of double lateral panels, 1 pair of superior lateral tubes and 1 pair of rear bracket for 199 mm drawer height

### Front Panels for Inner Drawer

PRODUCT	FINISH	LENGHT	QTY/BOX
908FP1100106	Gray	43-5/16" (1100 mm)	1 pair
908FP110030	White	43-5/16" (1100 mm)	1 pair

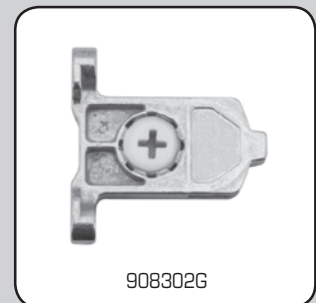
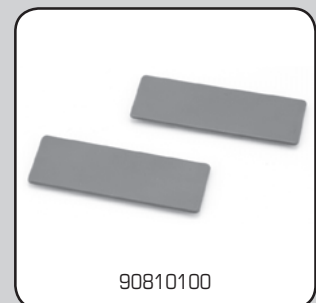
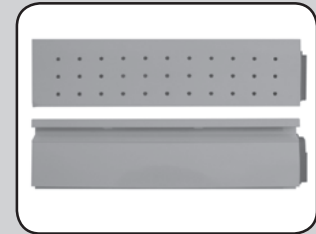
### Cover Cap

PRODUCT	FINISH	QTY/BOX
90810100	Gray	8
9081030	White	8

### Front Bracket

PRODUCT	FINISH	DESCRIPTION	QTY/BOX
908302G	Zinc	Front bracket, screw-on	4
908322G	Zinc	Front bracket with expanding dowels	4

## Richelieu Section 4I



1  
SCREWS  
AND  
FASTENERS

2  
FURNITURE  
EQUIPMENT

3  
HINGES

4  
SLIDES

5  
CASTERS  
AND LEGS

6  
KITCHEN  
SOLUTIONS

7  
CLOSET  
SOLUTIONS

8  
LIGHTING  
SOLUTIONS

9  
SINKS  
AND  
FAUCETS

10  
OFFICE

11  
SLIDING  
DOORS  
SYSTEMS

12  
GLASS  
HARDWARE

13  
PANELS  
AND  
SURFACES

14  
EDGE-  
BANDING

15  
CABINET  
DOORS  
AND  
DRAWERS

16  
MOLDINGS,  
CORBELS  
AND WINE  
CELLARS

17  
GLUES,  
SILICONES,  
CAULK AND  
INSULATING

18  
TOOLS  
AND  
SECURITY

19  
FINISHING  
PRODUCTS  
AND  
ABRASIVES

20  
COMMERCIAL  
DISPLAY AND  
HARDWARE

21  
BUILDERS  
HARDWARE

CCRM 2018

| Slides |

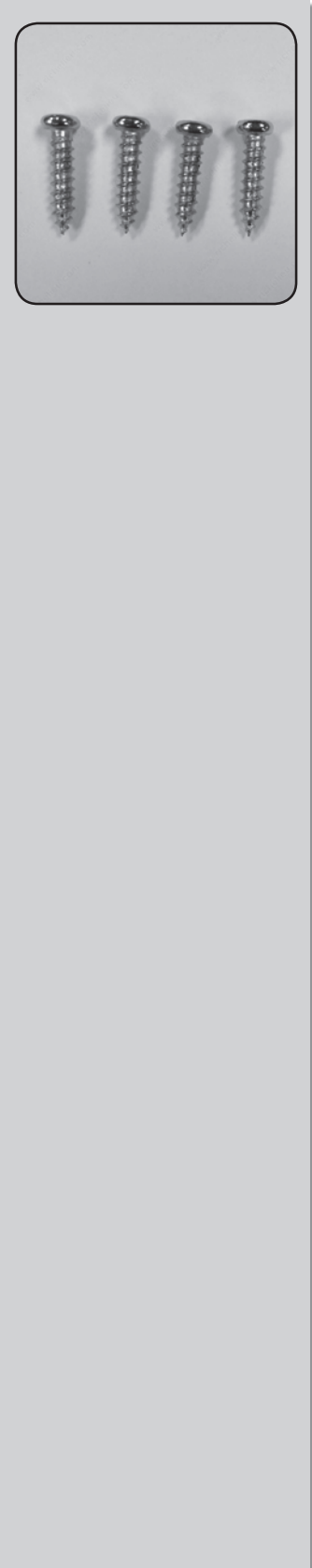
## R SERIES SLIDES

Accessories

### Screws for Screw-On Front Brackets

PRODUCT	FINISH	DESCRIPTION	QTY/BOX
908202G	Zinc	Screws for screw-on front brackets, 4 per bag	5

## Richelieu Section 4I



CCRM 2018

# Slides I

## Undermount Slides

### Frameless Undermount Slides - 818 Series

An undermount full extension slide with soft motion for frameless construction.

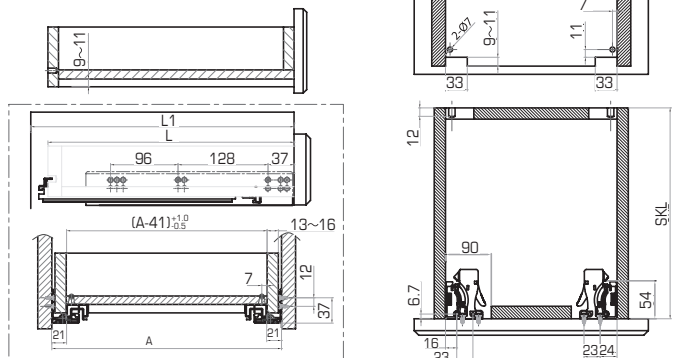
- Slides mount underneath to give full view of finely crafted drawers
- Weight capacity; 80 lb dynamic, 100 lb static
- Wide drawer member provides superior stability between cabinet and drawer member
- Extra length automatic shock absorber softly glides drawers to a soft stop
- Integrated closing system with plastic covering to avoid dirt and dust damage
- Easy to open with a low pull-out force requirement
- Front locking device with multiple cleat design for a secure fit

PRODUCT	SLIDE LENGTH	QTY/BOX
818270	10-5/8" (270 mm)	1 pair
818300	12" (300 mm)	1 pair
818350	14" (350 mm)	1 pair
818400	16" (400 mm)	1 pair
818450	18" (450 mm)	1 pair
818500	20" (500 mm)	1 pair
818550	22" (550 mm)	1 pair

#### Required Product(s):

- 78802 - Locking Device, Right
- 78803 - Locking Device, Left

#### Installation diagram



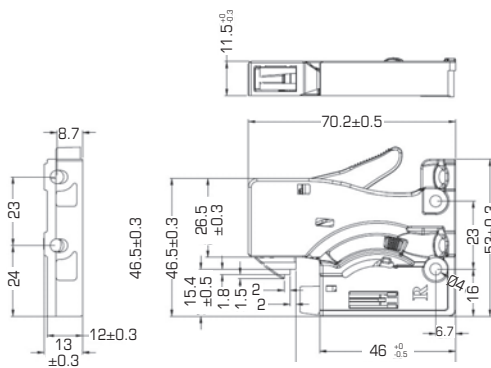
Item code	818270	818300	818350	818400	818450	818500	818550
Drawer length	270	290	340	390	440	490	540
Inside Cabinet depth (min.) L1	288	308	358	408	458	508	558
Packing (sets/carton)	10	10	10	10	10	10	10

### Locking Device

PRODUCT	SIDE	QTY/BOX
78802	Right	1
78803	Left	1

#### Required Product(s):

Undermount Slides Frameless - Full Extension with Soft-Close - 818



## Richelieu Section 4J



- 1 SCREWS AND FASTENERS
- 2 FURNITURE EQUIPMENT
- 3 HINGES
- 4 SLIDES
- 5 CASTERS AND LEGS
- 6 KITCHEN SOLUTIONS
- 7 CLOSET SOLUTIONS
- 8 LIGHTING SOLUTIONS
- 9 SINKS AND FAUCETS
- 10 OFFICE
- 11 SLIDING DOORS SYSTEMS
- 12 GLASS HARDWARE
- 13 PANELS AND SURFACES
- 14 EDGE-BANDING
- 15 CABINET DOORS AND DRAWERS
- 16 MOLDINGS, CORBELS AND WINE CELLARS
- 17 GLUES, SILICONES, CAULK AND INSULATING
- 18 TOOLS AND SECURITY
- 19 FINISHING PRODUCTS AND ABRASIVES
- 20 COMMERCIAL DISPLAY AND HARDWARE
- 21 BUILDERS HARDWARE

# Undermount Slides

## Richelieu Section 4J

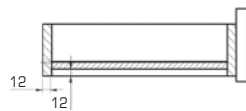
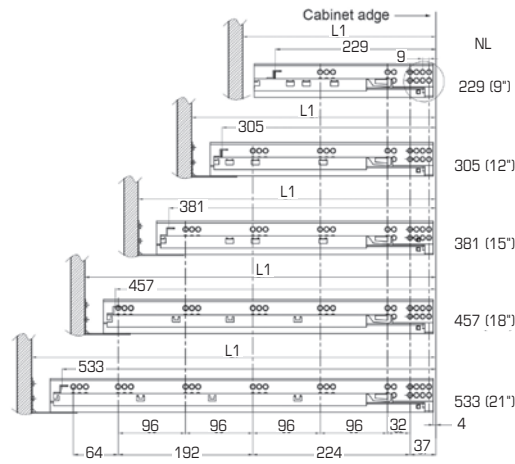
### Face Frame Undermount Slides - 815 Series

An undermount full extension slide with soft motion for face frame construction.

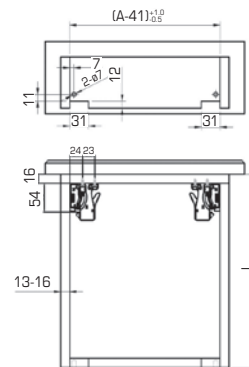
- Slides are installed under the drawer to give unobstructed view of finely crafted drawers
- Weight capacity: 80 lb dynamic, 100 lb static
- Width of support slide provides superior stability
- Extended automatic dampener provides soft-closing drawer
- Integrated locking system is plastic coated to protect against dust and dirt
- Front locking device with multiple cleat design for secure fit

PRODUCT	FINISH	SLIDE LENGTH	QTY/BOX
815229	Zinc	9" (229 mm)	1 pair
815305	Zinc	12" (305 mm)	1 pair
815381	Zinc	15" (381 mm)	1 pair
815457	Zinc	18" (457 mm)	1 pair
815533	Zinc	21" (533 mm)	1 pair

Required Product(s):  
78802 - Locking Device, Right  
78803 - Locking Device, Left



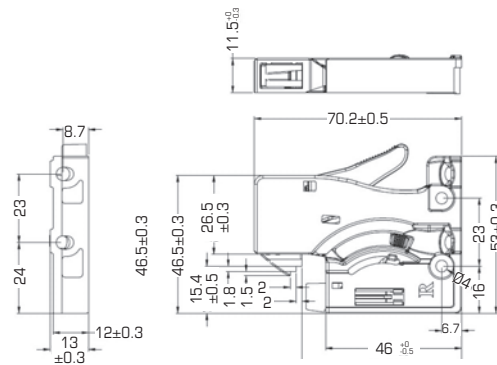
Nominal length	9"	12"	15"	18"	21"
Drawer length	229	305	381	457	533
Inside Cabinet depth (min.) L1	261	358	416	494	568
Inside Cabinet depth (max.) L1	/	366	436	514	588



### Locking Device

PRODUCT	SIDE	QTY/BOX
78802	Right	1
78803	Left	1

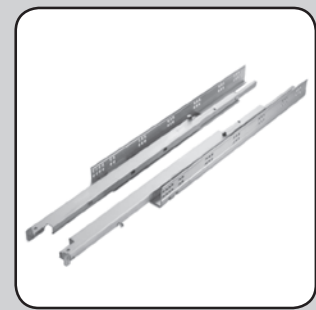
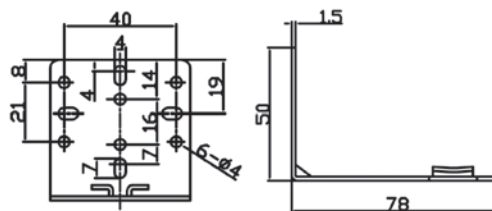
Required Product(s):  
Undermount Slides Frameless - Full Extension with Soft-Close - 818



### Rear Mounting Bracket for 815 Concealed Undermount Slides

PRODUCT	QTY/BOX
8082G	1

Required Product(s):  
815XXX - Full Extension Concealed Slides with Soft-close for Face Frame Cabinets



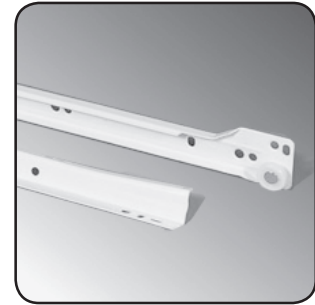
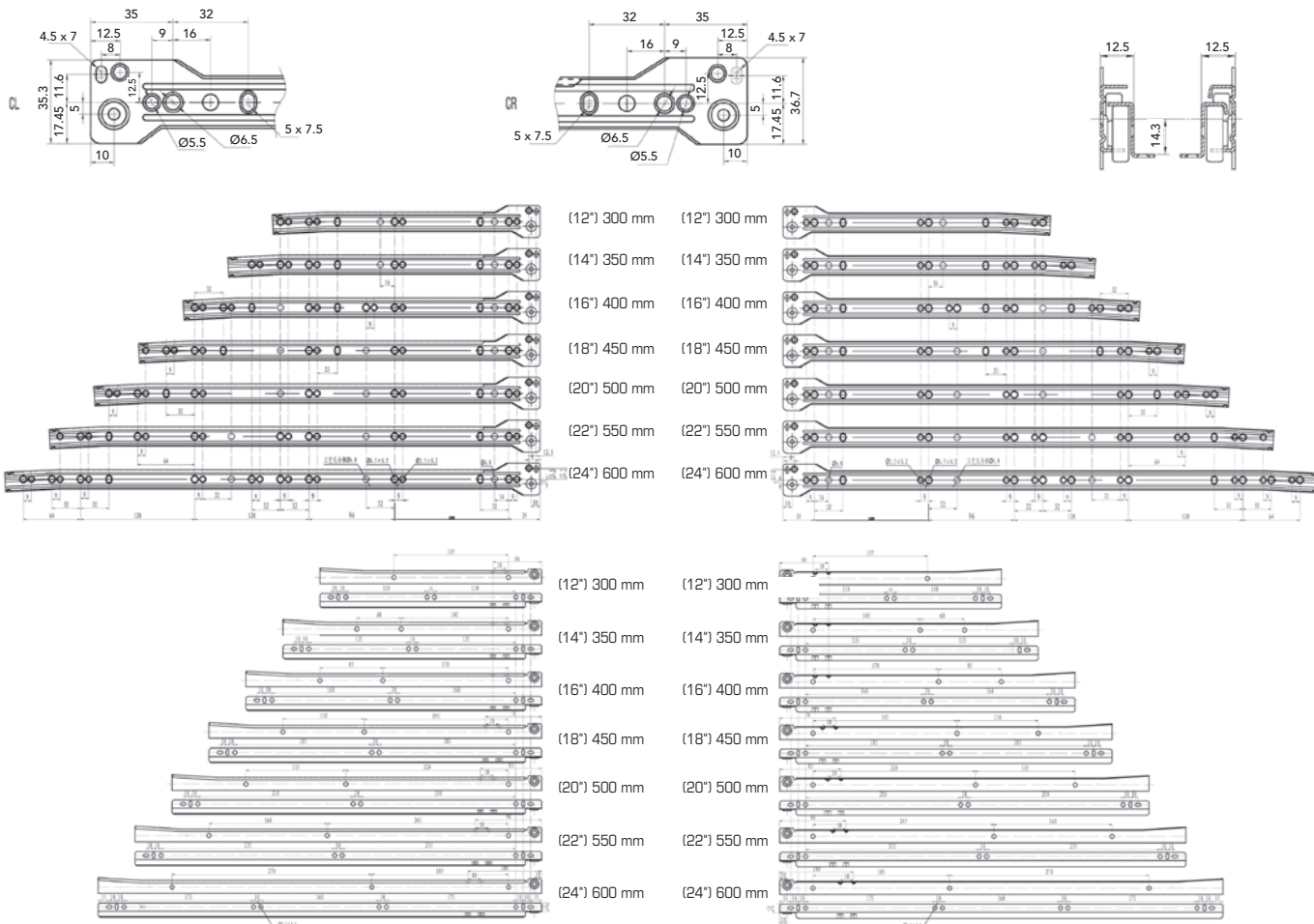
# Slides | Euro Slides

# Richelieu Section 4K

## Self-Closing Euro Slides #103

PRODUCT	FINISH	DESCRIPTION	LENGTH	THICKNESS	QTY SETS/ BOX
TP10330030	White	Drawer slide 300 mm taped	12" (300 mm)	1 mm	20
TP10335030	White	Drawer slide 350 mm taped	14" (350 mm)	1 mm	20
TP10340030	White	Drawer slide 400 mm taped	16" (400 mm)	1 mm	20
TP10345030	White	Drawer slide 450 mm taped	18" (450 mm)	1 mm	20
TP10350030	White	Drawer slide 500 mm taped	20" (500 mm)	1 mm	20
TP10355030	White	Drawer slide 550 mm taped	22" (550 mm)	1 mm	20
TP10360030	White	Drawer slide 600 mm taped	24" (600 mm)	1 mm	20
1033510230**	White	Cabinet member 350 mm right	14" (350 mm)	1 mm	100
1033510330**	White	Cabinet member 350 mm left	14" (350 mm)	1 mm	100
1033520230**	White	Drawer member 350 mm right	14" (350 mm)	1 mm	100
1033520330**	White	Drawer member 350 mm left	14" (350 mm)	1 mm	100
10340030*	White	Drawer slide 400 mm	16" (400 mm)	1 mm	25
10345030*	White	Drawer slide 450 mm	18" (450 mm)	1 mm	25
10350030*	White	Drawer slide 500 mm	20" (500 mm)	1 mm	25
10355030*	White	Drawer slide 550 mm	22" (550 mm)	1 mm	25

\* M-PACK each box contains: 25 left cabinet members, 25 right cabinet members, 25 left drawer members, 25 right drawer members.  
 \*\* P-PACK industrial packaging: The 4 members have to be ordered separately / Each box contains 100 pieces of each member.



- 1 SCREWS AND FASTENERS
- 2 FURNITURE EQUIPMENT
- 3 HINGES
- 4 SLIDES
- 5 CASTERS AND LEGS
- 6 KITCHEN SOLUTIONS
- 7 CLOSET SOLUTIONS
- 8 LIGHTING SOLUTIONS
- 9 SINKS AND FAUCETS
- 10 OFFICE
- 11 SLIDING DOORS SYSTEMS
- 12 GLASS HARDWARE
- 13 PANELS AND SURFACES
- 14 EDGE-BANDING
- 15 CABINET DOORS AND DRAWERS
- 16 MOLDINGS, CORBELS AND WINE CELLARS
- 17 GLUES, SILICONES, CAULK AND INSULATING
- 18 TOOLS AND SECURITY
- 19 FINISHING PRODUCTS AND ABRASIVES
- 20 COMMERCIAL DISPLAY AND HARDWARE
- 21 BUILDERS HARDWARE

CCRM 2018

# I Slides I

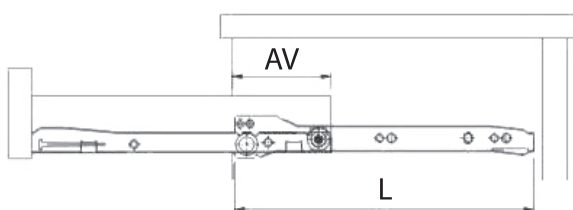
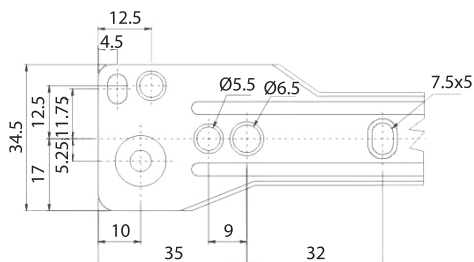
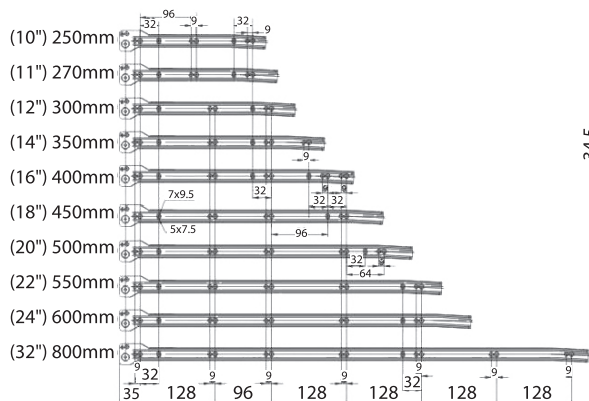
## Euro Slides

# Richelieu Section 4K

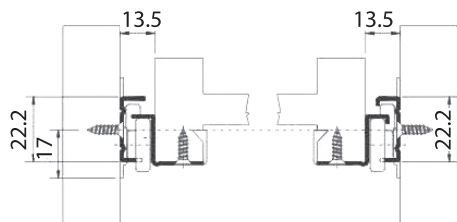
### Self-Closing Euro Slides #105 for Drawers

PRODUCT	FINISH	DESCRIPTION	LENGTH	THICKNESS	QTY SETS/ BOX
TP10530030	White	Drawer slide 300 mm taped	12" (300 mm)	1.2 mm	20
TP10535030	White	Drawer slide 350 mm taped	14" (350 mm)	1.2 mm	20
TP10540030	White	Drawer slide 400 mm taped	16" (400 mm)	1.2 mm	20
TP10545030	White	Drawer slide 450 mm taped	18" (450 mm)	1.2 mm	20
TP10550030	White	Drawer slide 500 mm taped	20" (500 mm)	1.2 mm	20
TP10555030	White	Drawer slide 550 mm taped	22" (550 mm)	1.2 mm	20
TP10560030	White	Drawer slide 600 mm taped	24" (600 mm)	1.2 mm	20
10540030*	White	Drawer slide 400 mm	16" (400 mm)	1.2 mm	25
10545030*	White	Drawer slide 450 mm	18" (450 mm)	1.2 mm	25
10550030*	White	Drawer slide 500 mm	20" (500 mm)	1.2 mm	25
10555030*	White	Drawer slide 550 mm	22" (550 mm)	1.2 mm	25

\* M-PACK each box contains: 25 left cabinet members, 25 right cabinet members, 25 left drawer members, 25 right drawer members.



L	AV
(10") 250mm	70 mm
(11") 270mm	70 mm
(12") 300mm	70 mm
(14") 350mm	70 mm
(16") 400mm	70 mm
(18") 450mm	80 mm
(20") 500mm	85 mm
(22") 550mm	95 mm
(24") 600mm	105mm
(32") 800mm	145 mm



CCRM 2018

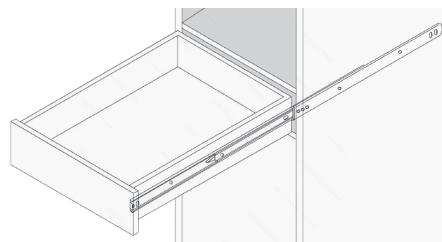
### Full Extension Slides

- Front disconnect
- Positive stop
- Hold-in detent
- Non-handed, these slides can be used interchangeably either on the left or right side

Sold by unit



PRODUCT	MATERIAL	LENGTH	LOAD RATING	QTY/BOX
451317016	Stainless Steel	16" (406 mm)	Max. 104 lb (47 kg)	10
451317018	Stainless Steel	18" (457 mm)	Max. 101 lb (46 kg)	10
451317020	Stainless Steel	20" (509 mm)	Max. 97 lb (44 kg)	10
451317022	Stainless Steel	22" (559 mm)	Max. 95 lb (43 kg)	10



### Soft-Closing Mechanism for Wood Drawers

Soft-close mechanism for wood drawers. Suitable for face-frame and frameless cabinets.

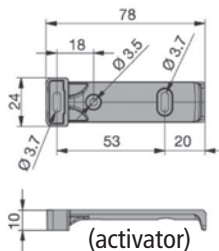
- Easy to assemble
- Universal application will fit most standard drawers
- Soft-closing drawer

#### Included Product(s):

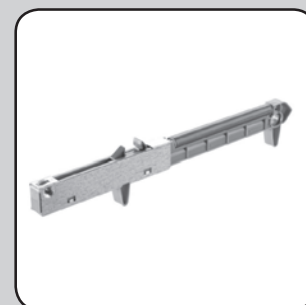
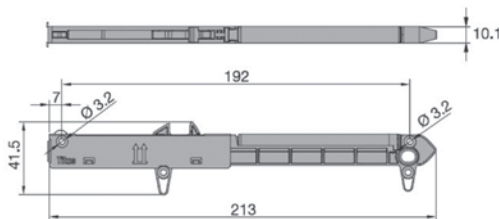
- 1 mechanism
- 1 activator
- 2 screws 3.5 mm x 25 mm
- 2 screws 3.5 mm x 12 mm
- Mounting instructions

Sold by unit

PRODUCT	QTY/BOX
973099100	300



(activator)

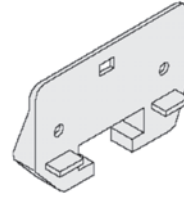


- 1 SCREWS AND FASTENERS
- 2 FURNITURE EQUIPMENT
- 3 HINGES
- 4 SLIDES
- 5 CASTERS AND LEGS
- 6 KITCHEN SOLUTIONS
- 7 CLOSET SOLUTIONS
- 8 LIGHTING SOLUTIONS
- 9 SINKS AND FAUCETS
- 10 OFFICE
- 11 SLIDING DOORS SYSTEMS
- 12 GLASS HARDWARE
- 13 PANELS AND SURFACES
- 14 EDGE-BANDING
- 15 CABINET DOORS AND DRAWERS
- 16 MOLDINGS, CORBELS AND WINE CELLARS
- 17 GLUES, SILICONES, CAULK AND INSULATING
- 18 TOOLS AND SECURITY
- 19 FINISHING PRODUCTS AND ABRASIVES
- 20 COMMERCIAL DISPLAY AND HARDWARE
- 21 BUILDERS HARDWARE

### Central Guide for Wood Slide

Sold by unit

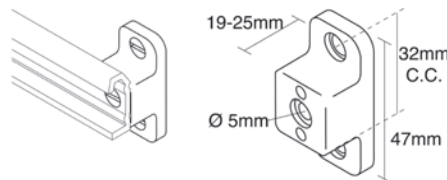
PRODUCT	FINISH	QTY/BOX
C12	Nylon	1000



### Side Spacer

Sold by unit

PRODUCT	FINISH	WIDTH	HEIGHT	DEPTH	QTY/BOX
60285012	White	1" (25 mm)	1-7/8" (47 mm)	1" (25 mm)	1000
60275012	White	1" (25 mm)	1-7/8" (47 mm)	1" (25 mm)	1300

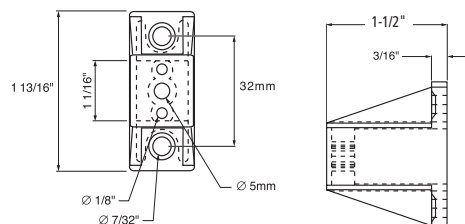


### Side Spacer

Sold by unit

PRODUCT	FINISH	THICKNESS	QTY/BOX
360830	White	1-1/2"	500

Recommended screw: flat head no.6 FK CZ658PR and/or 6611152G

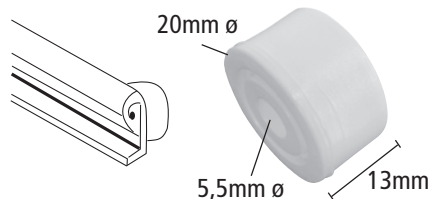


### Side Spacer

Sold by unit

PRODUCT	FINISH	THICKNESS	QTY/BOX
58026030	White	13 mm	100

Recommended screw: flat head no.6 FK CZ658PR and/or 6612502G





I Slides I

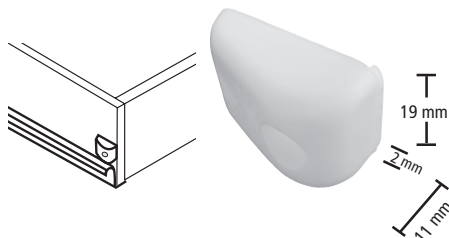
# Stainless Steel Slides and Slides Accessories

## Side Spacer

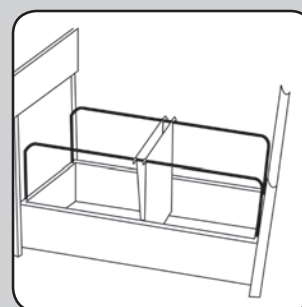
Sold by unit

PRODUCT	FINISH	THICKNESS	QTY/BOX
60003030	White	11 mm	100

Recommended screw: flat head no.6 FKZ658PR and/or 661115-2G



## Richelieu Section 4L



## Long File Frame for Long or Short Drawer

- Letter size

Sold by set

### LONG DRAWER

PRODUCT	FINISH	WIDTH	Ø	HEIGHT	QTY/BOX
331190	Black	21-1/2"	1/4"	9-1/2"	30

### SHORT DRAWER

PRODUCT	FINISH	WIDTH	Ø	HEIGHT	QTY/BOX
331290	Black	16-1/2"	1/4"	9-1/2"	30

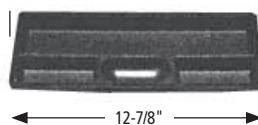


## Pencil Tray

- Many different space sizes
- Easy install

Sold by unit

PRODUCT	FINISH	WIDTH	DEPTH	HEIGHT	QTY/BOX
330690	Black	12-7/8"	8-1/2"	1-1/8"	60



- 1 SCREWS AND FASTENERS
- 2 FURNITURE EQUIPMENT
- 3 HINGES
- 4 SLIDES
- 5 CASTERS AND LEGS
- 6 KITCHEN SOLUTIONS
- 7 CLOSET SOLUTIONS
- 8 LIGHTING SOLUTIONS
- 9 SINKS AND FAUCETS
- 10 OFFICE
- 11 SLIDING DOORS SYSTEMS
- 12 GLASS HARDWARE
- 13 PANELS AND SURFACES
- 14 EDGE-BANDING
- 15 CABINET DOORS AND DRAWERS
- 16 MOLDINGS, CORBELS AND WINE CELLARS
- 17 GLUES, SILICONES, CAULK AND INSULATING
- 18 TOOLS AND SECURITY
- 19 FINISHING PRODUCTS AND ABRASIVES
- 20 COMMERCIAL DISPLAY AND HARDWARE
- 21 BUILDERS HARDWARE

CCRM 2018

